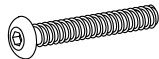
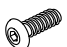

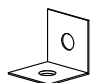
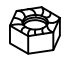




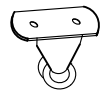



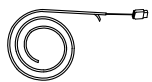
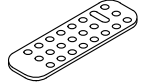
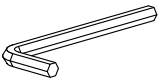
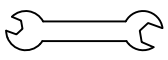
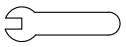
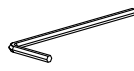
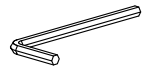
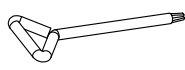
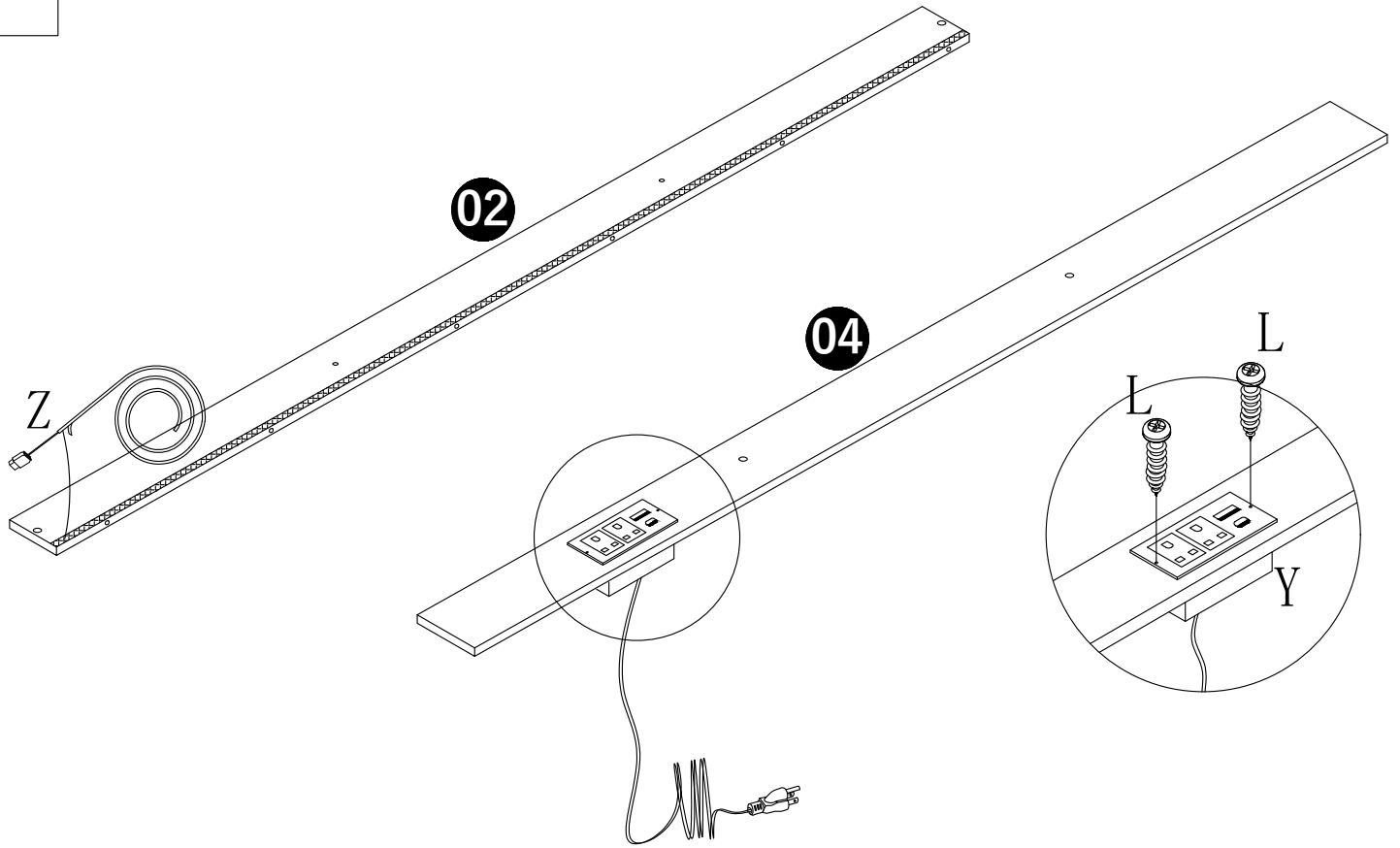


A		8*20	36
B		8*30	4
C		8*40	8
D		8*50	8
E		8*60	4
F		6*10	8
G		6*25	4
H		6*30	20
I		6*40	4
J		5*40	8
K		5*40	18
L		4*10	2
M			8
N			4
O		m5	8
P		m6	16
Q		m8	4

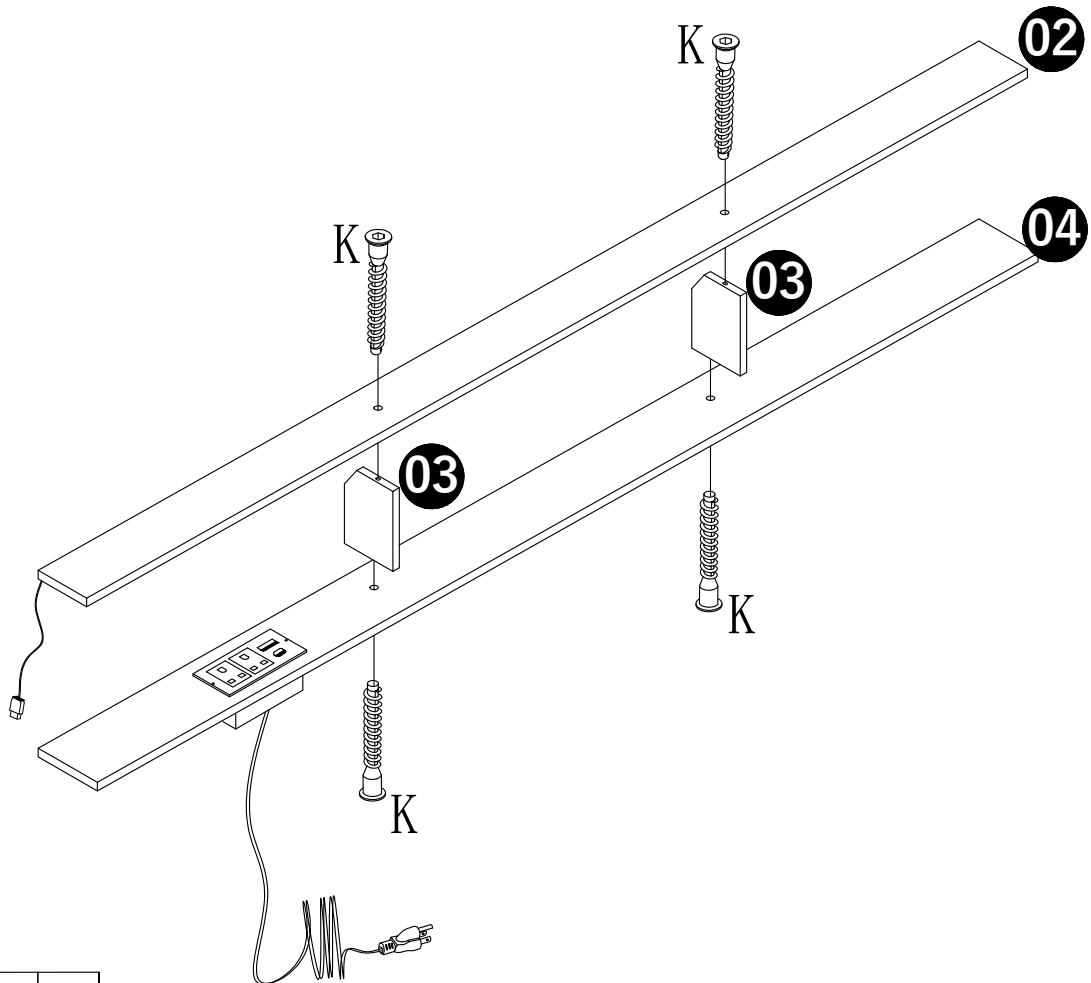
R		m6	4
S			4
T		32cm	4
U		4cm	4
V		1.5	4
W			2
X		2*4cm	2
Y			1
Z			1
a			1
b		m8	1
c		m6&m8	1
d		m5	1
e		m4	1
f		m6	1
g			1

01



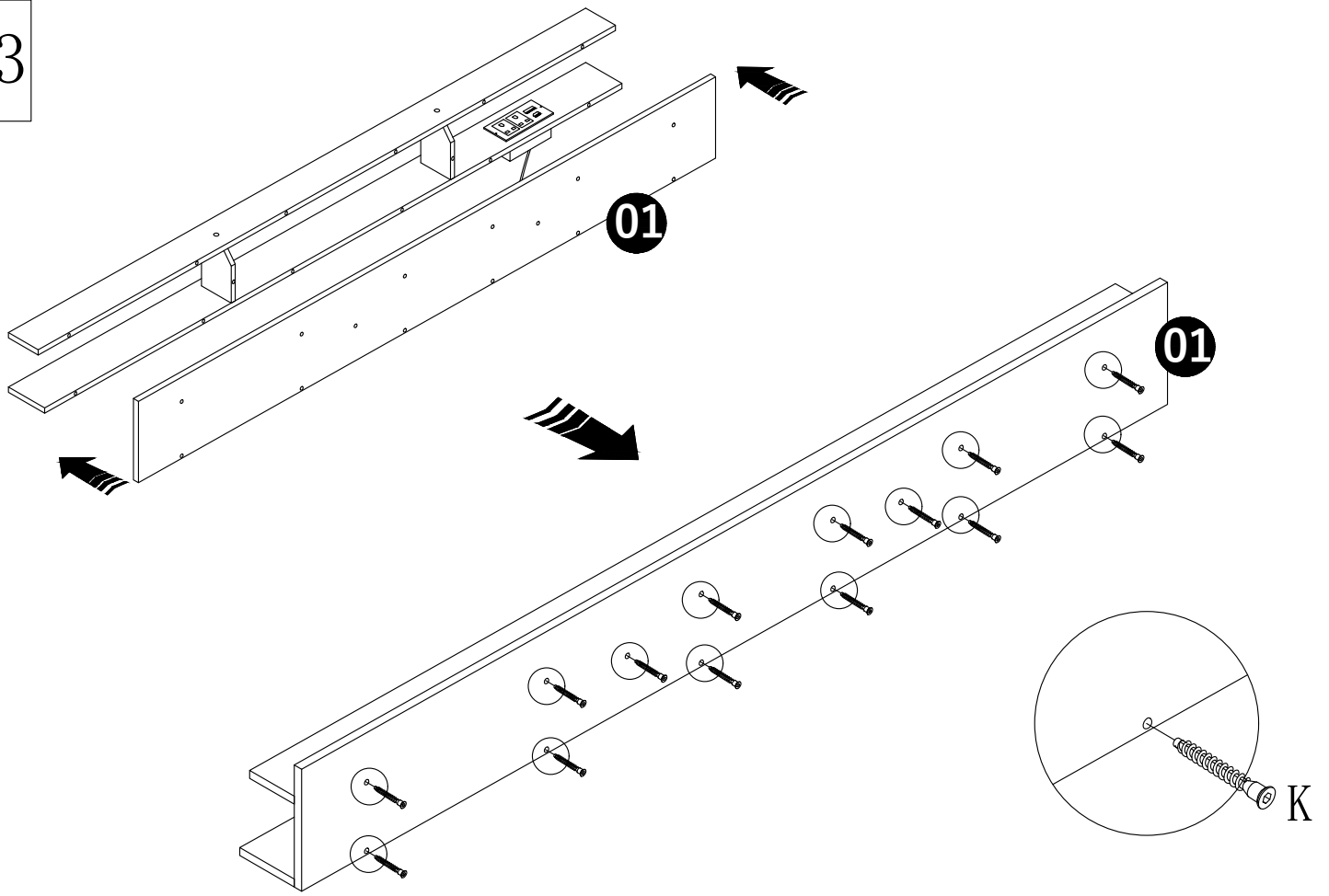
gg		1	Z		1	Y		1	L		4*10	2
----	---	---	---	---	---	---	---	---	---	---	------	---

02



e		m4	1	K		5*40	4
---	---	----	---	---	---	------	---

03



e



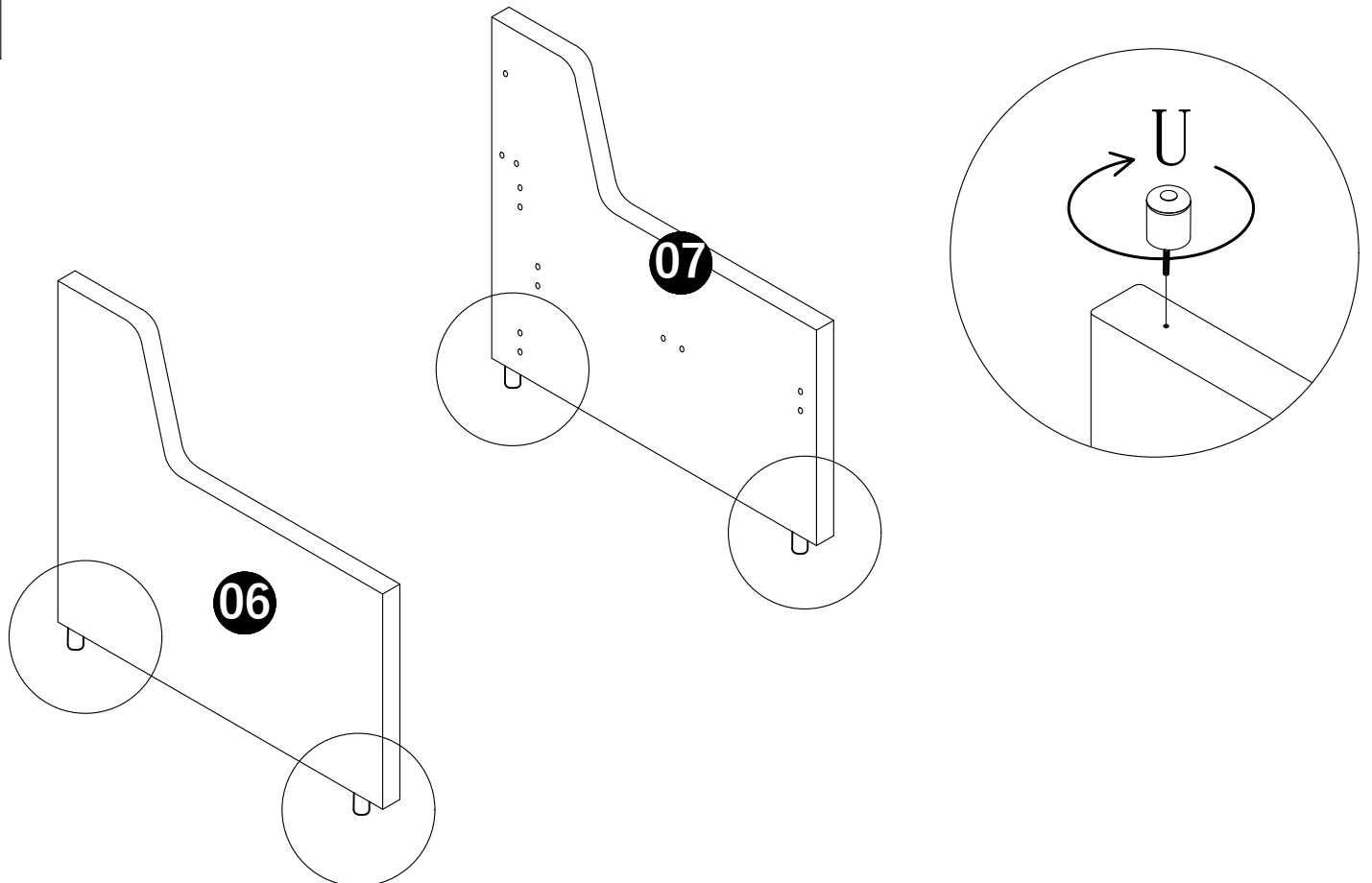
1

K



14

04

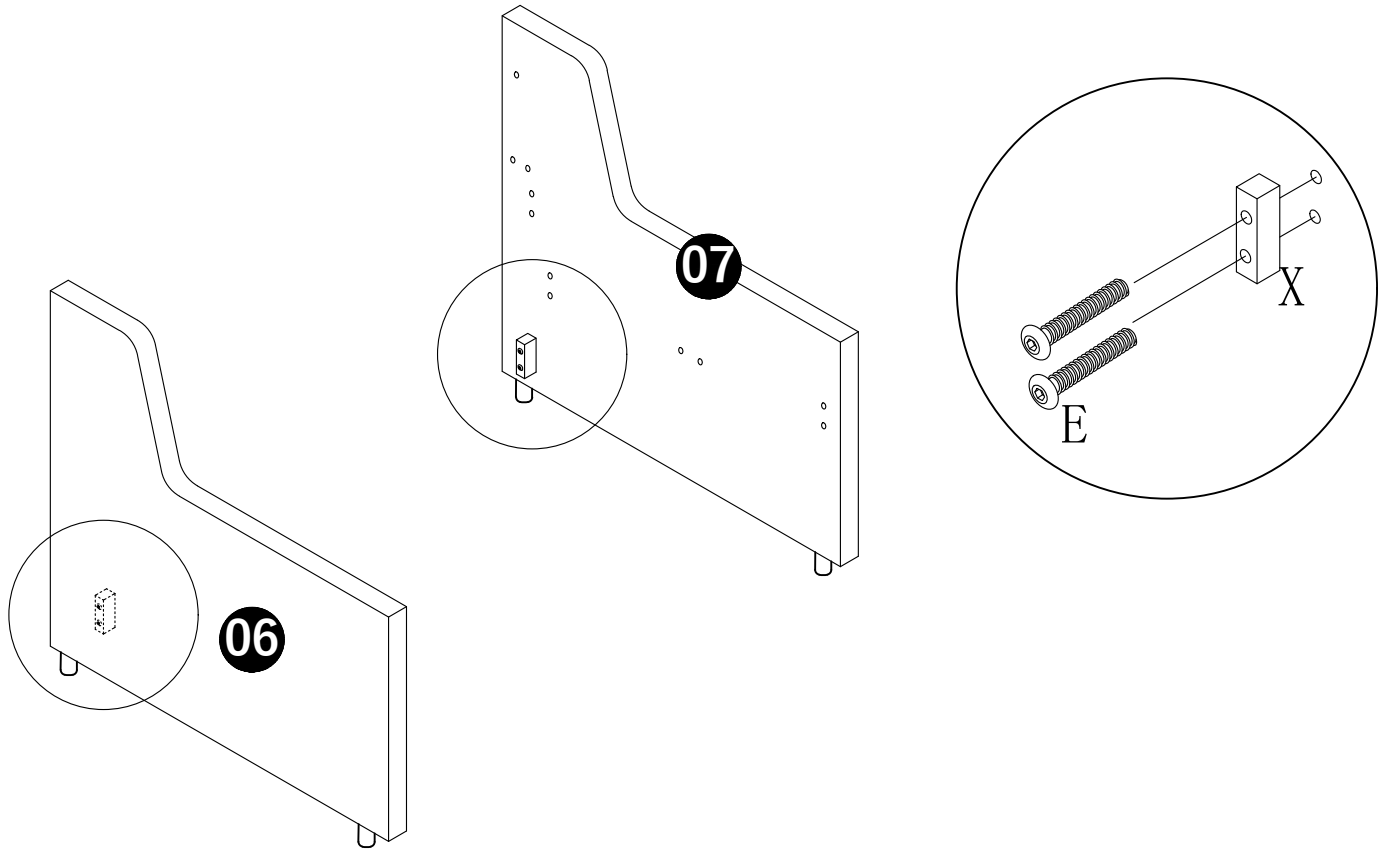


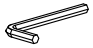
U

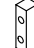



4

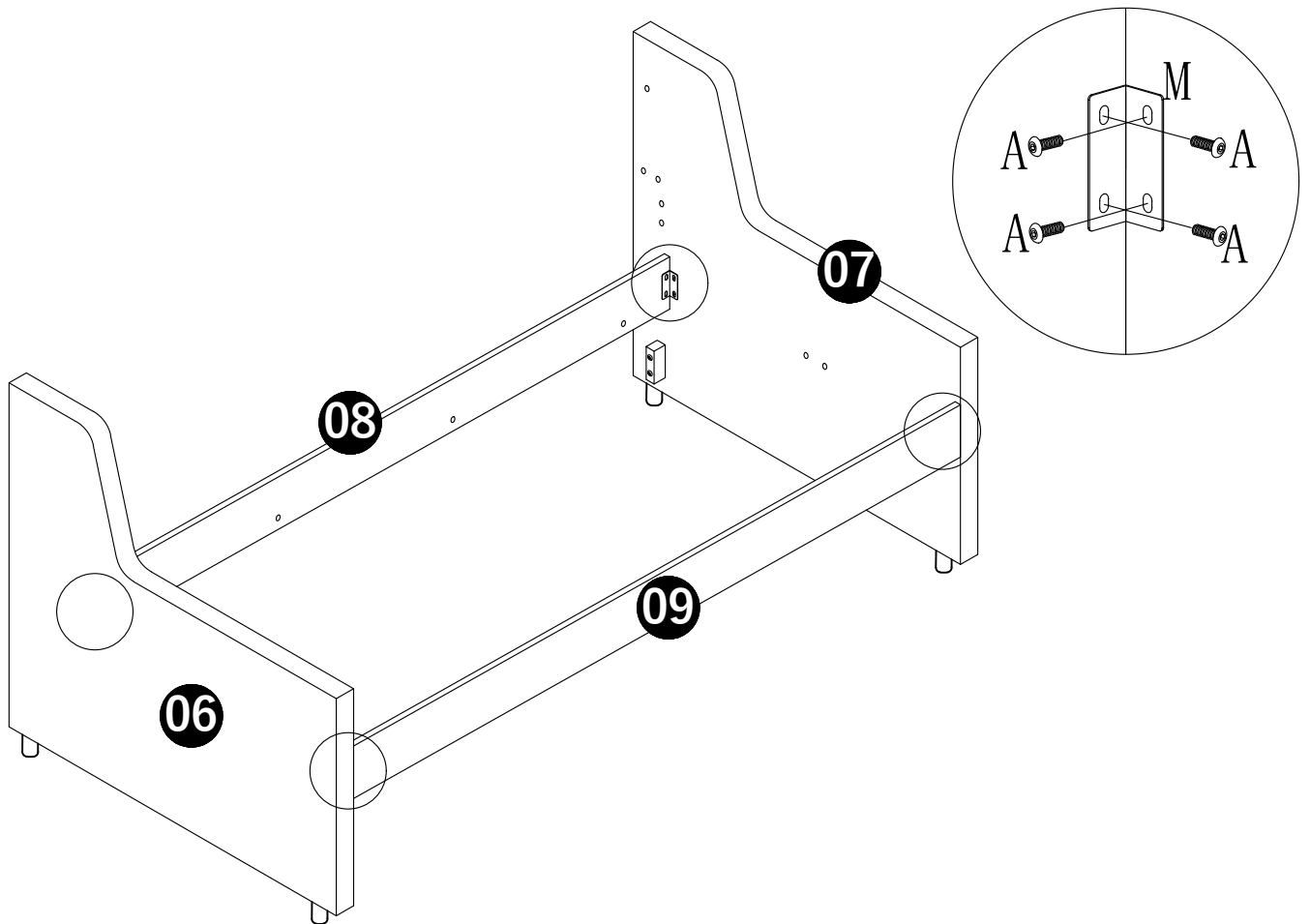
05

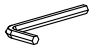




b	 m8	1
---	--	---

X	 2*4cm	2	E	 8*60	4
---	---	---	---	--	---

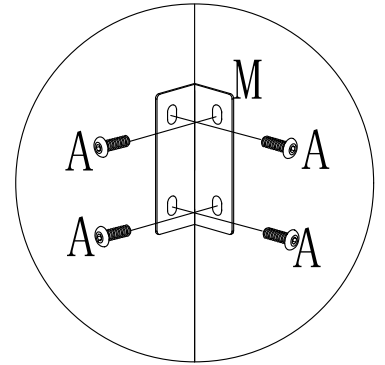
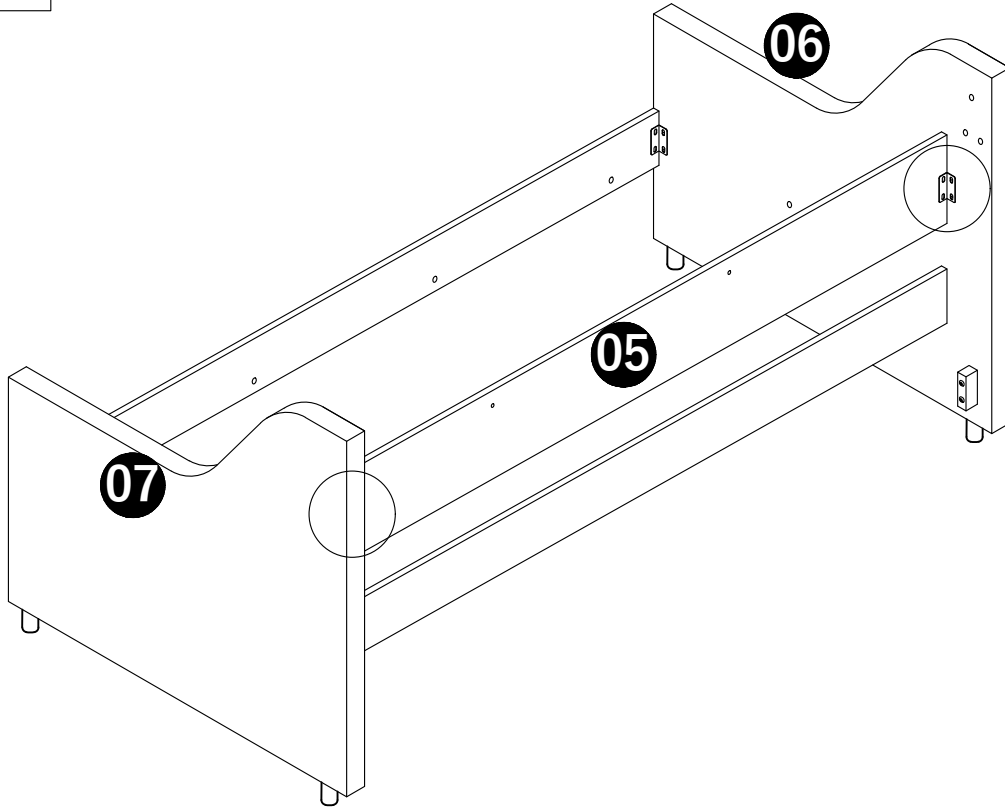
06





b	 m8	1
---	--	---

M		4	A	 8*20	16
---	---	---	---	--	----

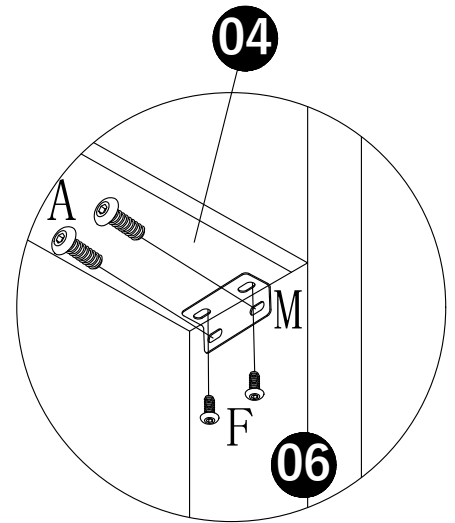
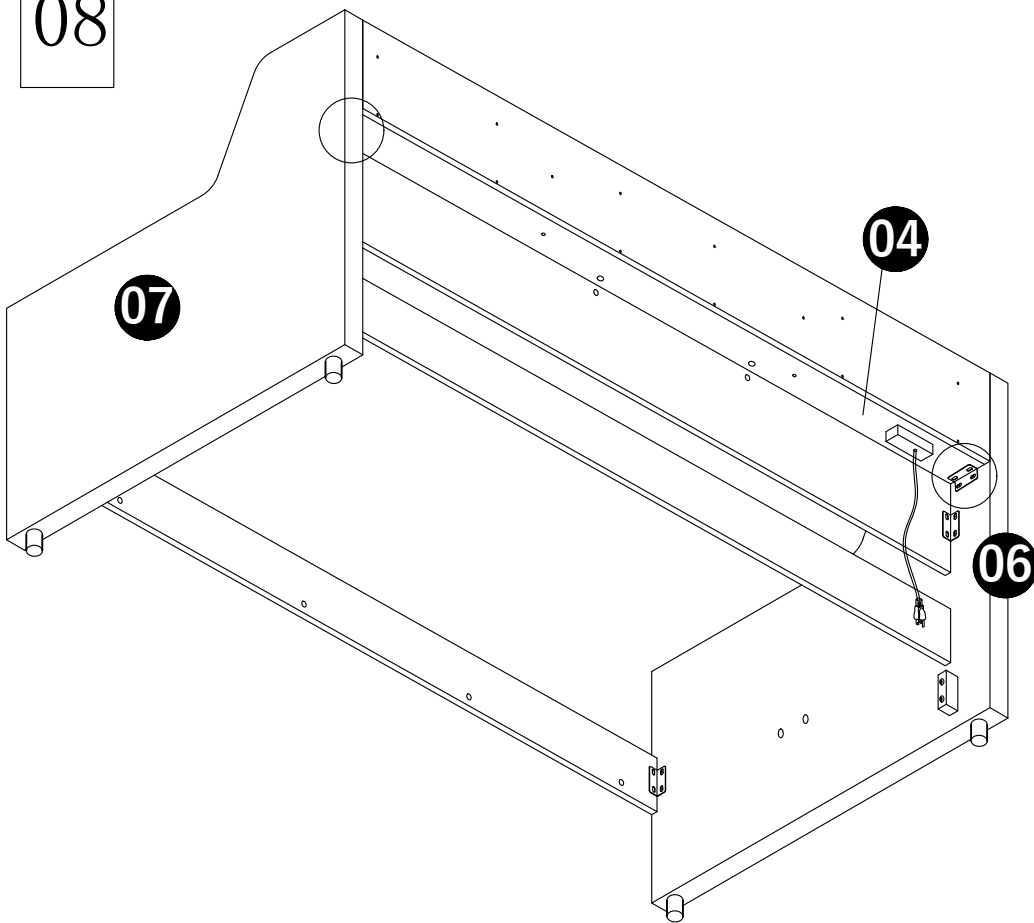
07

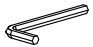
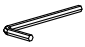





b	 m8	1
---	--	---

M		2	A	 8*20	8
---	---	---	---	--	---

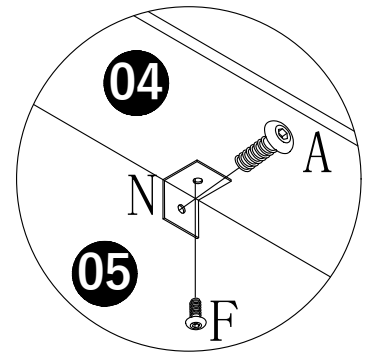
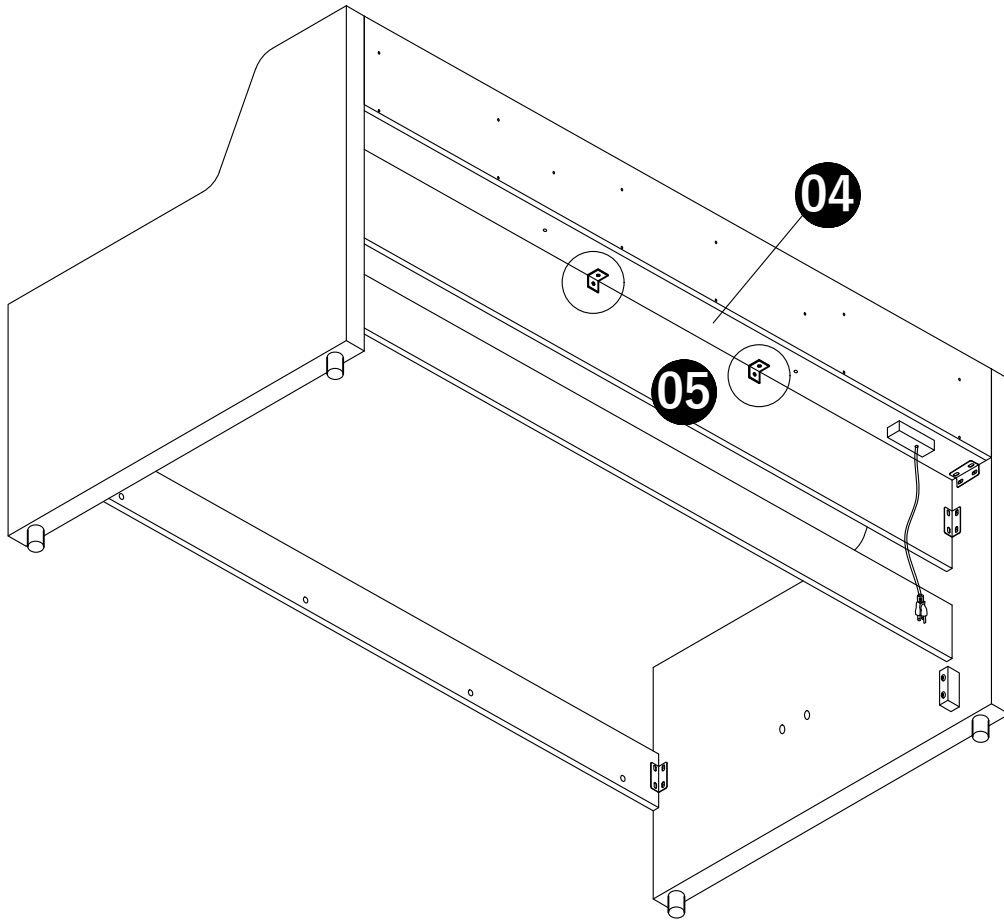
08



b	 m8	1	f	 m6	1
---	--	---	---	--	---

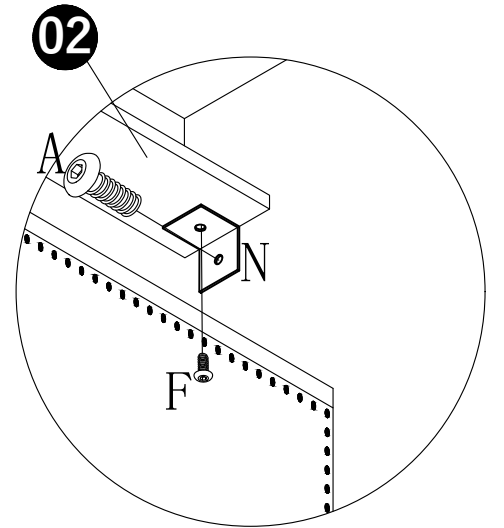
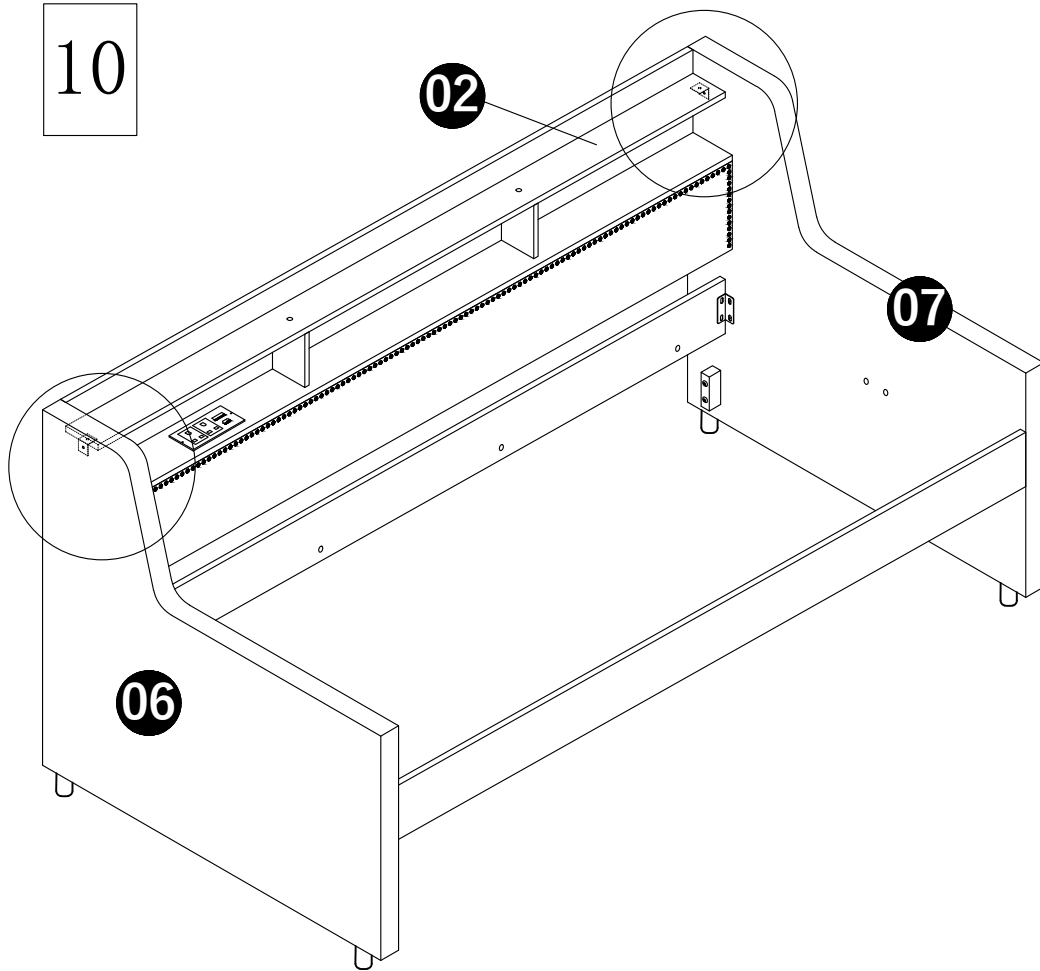
M		2	F	 6*10	4	A	 8*20	4
---	---	---	---	--	---	---	--	---

09



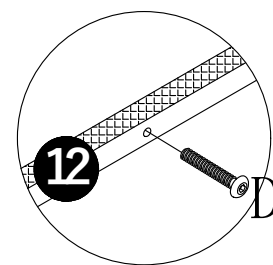
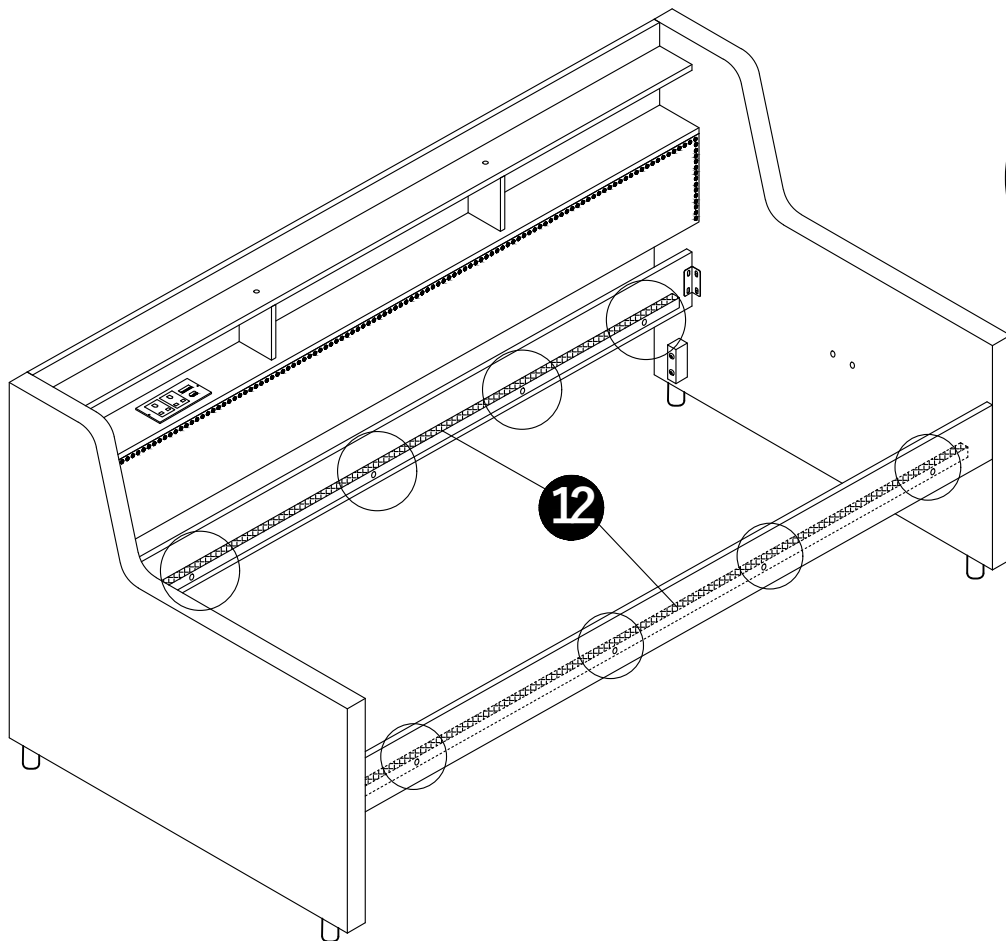
b		m8	1	f		m6	1	N		2	F		6*10	2	A		8*20	2
---	--	----	---	---	--	----	---	---	--	---	---	--	------	---	---	--	------	---

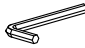
10



b		m8	1	f		m6	1	N		2	F		6*10	2	A		8*20	2
---	--	----	---	---	--	----	---	---	--	---	---	--	------	---	---	--	------	---

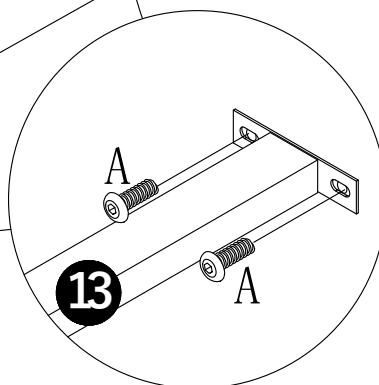
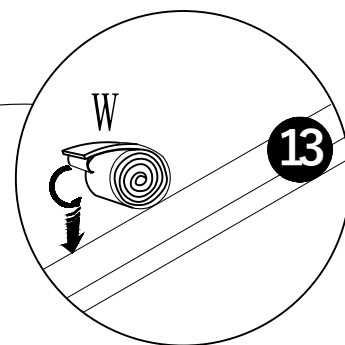
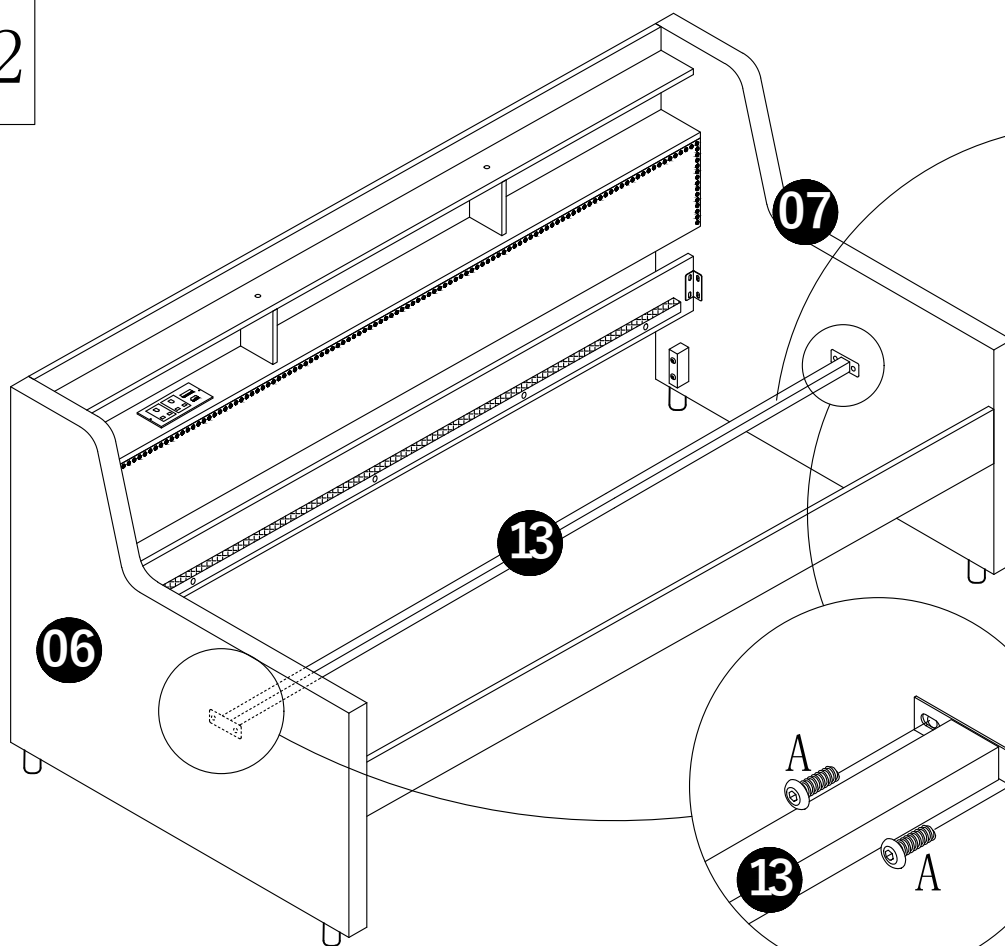
11

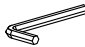




b	 m8	1
---	--	---

D	 8*50	8
---	--	---

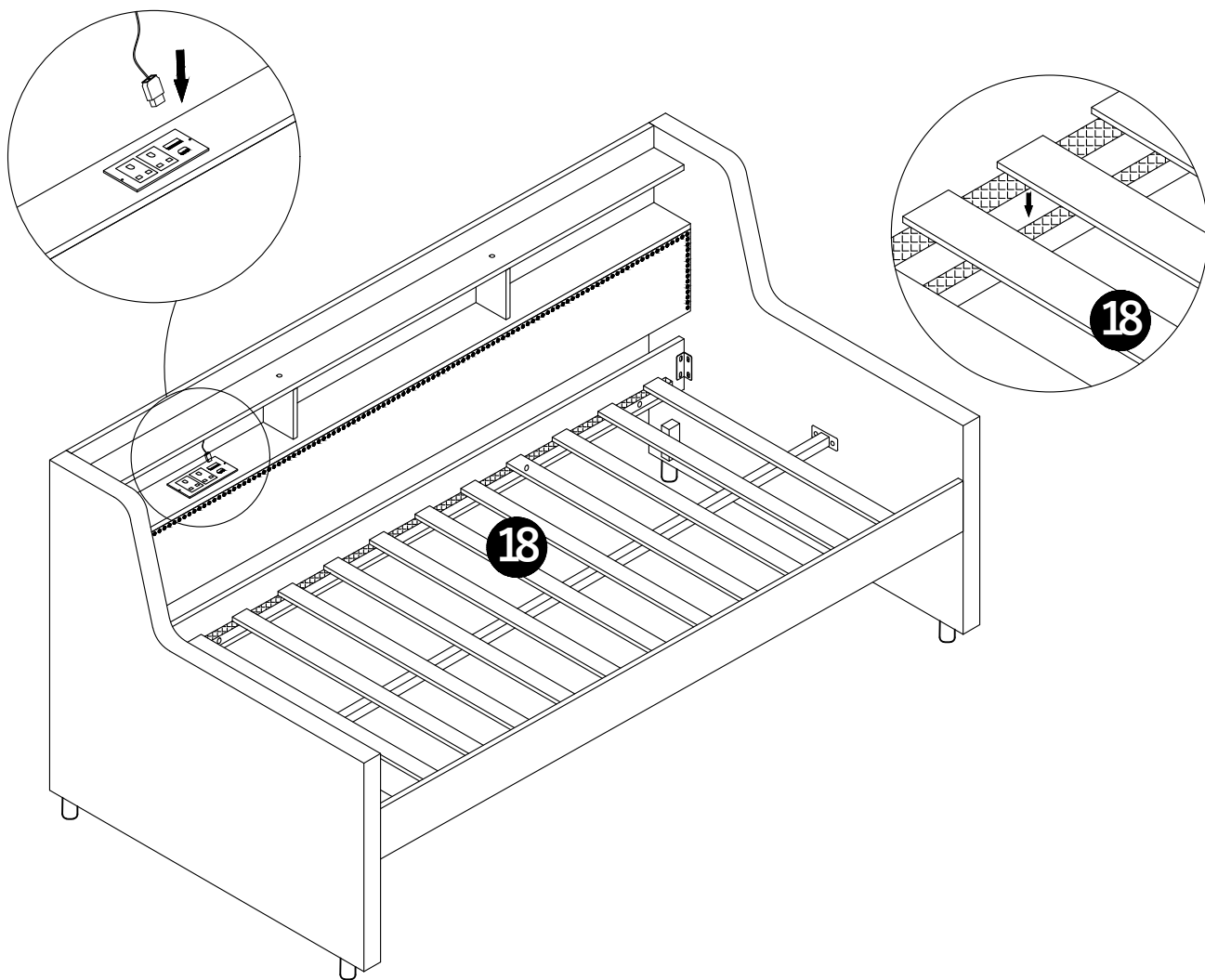
12



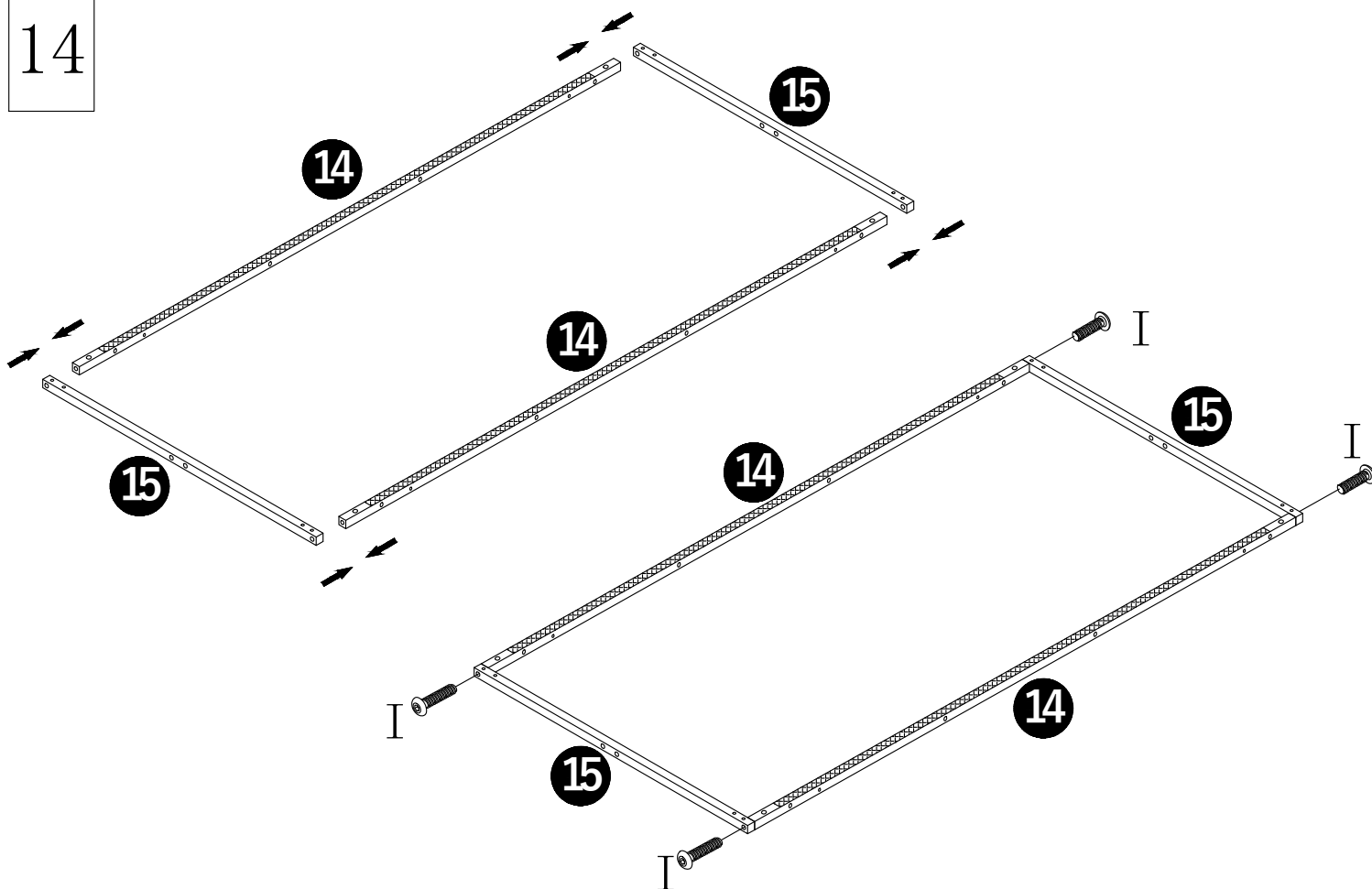
b	 m8	1
---	--	---

W		1	A	 8*20	4
---	---	---	---	--	---

13



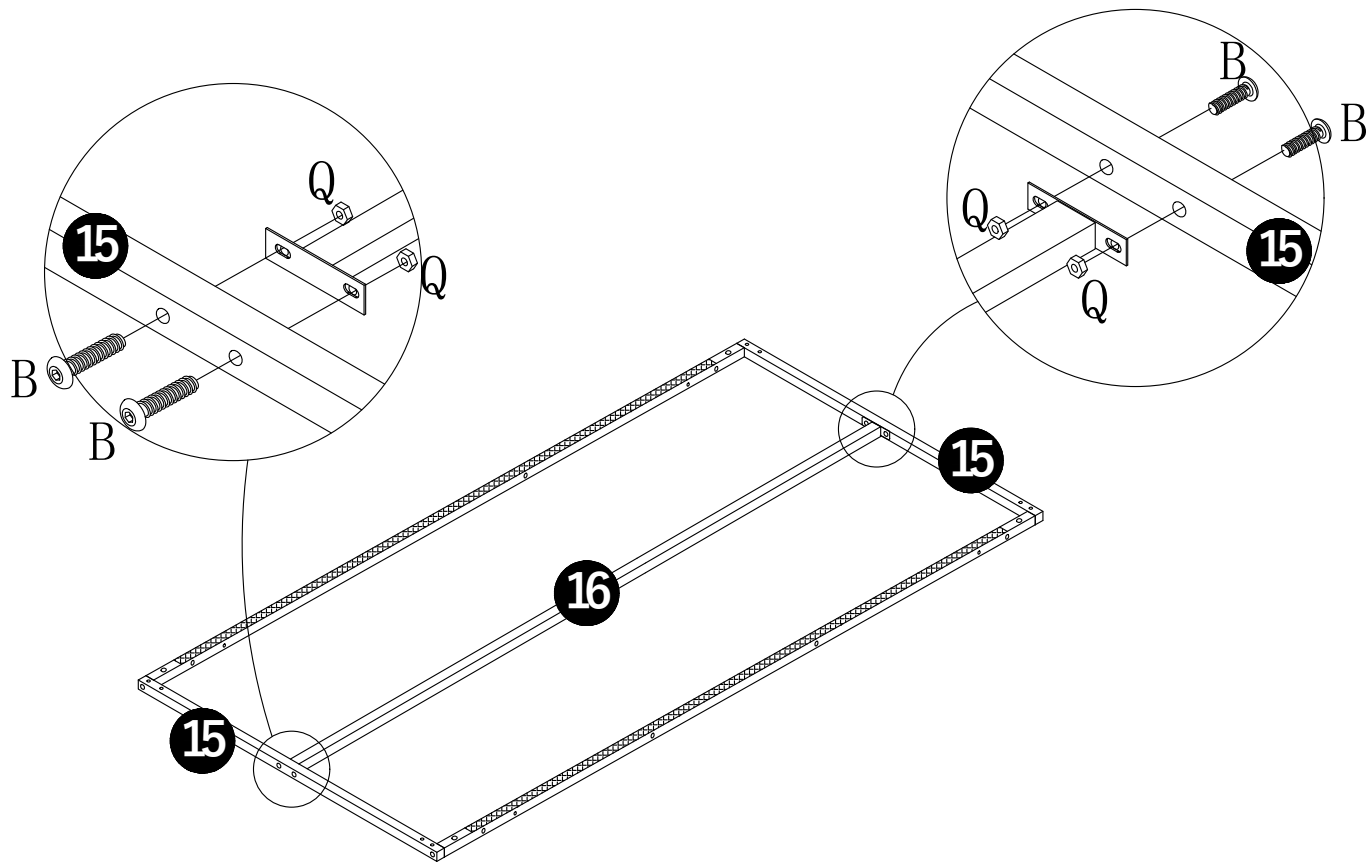
14

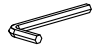
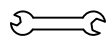




f		m6	1
---	---	----	---

I		6*40	4
---	---	------	---

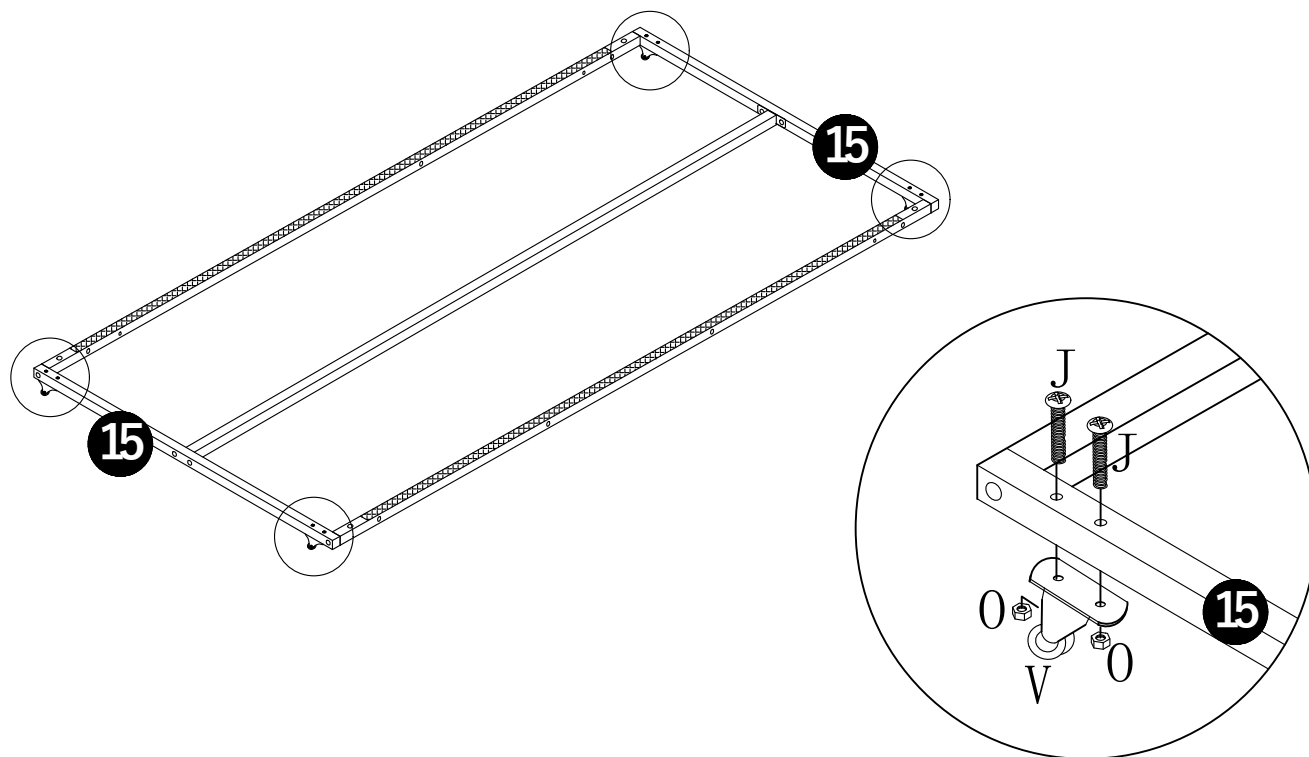
15






b	 m8	1	c		1
---	--	---	---	---	---

Q	 m8	4	B	 8*30	4
---	--	---	---	--	---

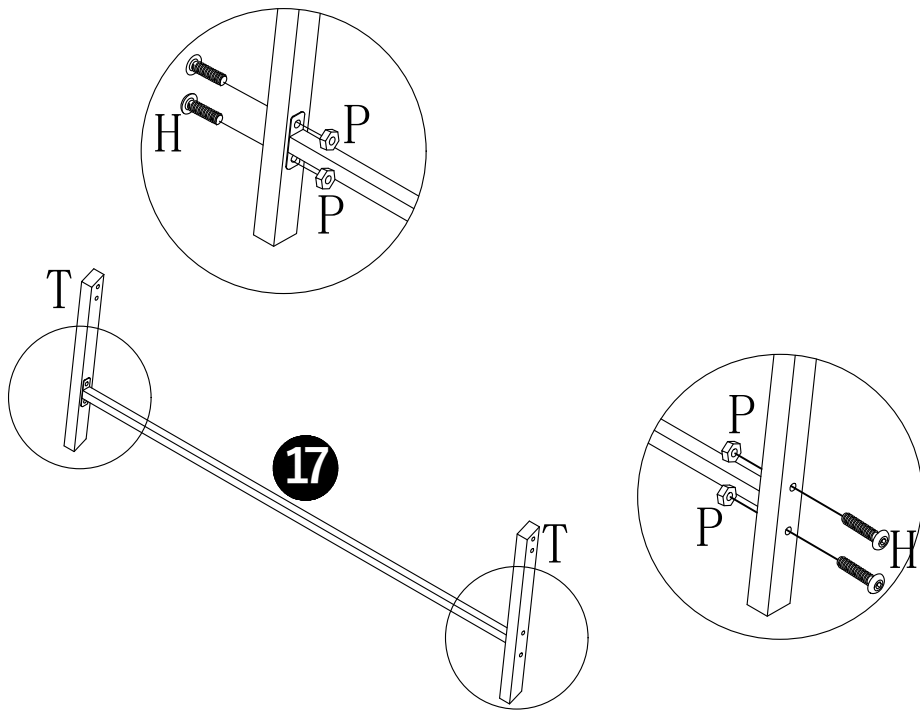
16



g		1	d	 m5	1
---	---	---	---	--	---

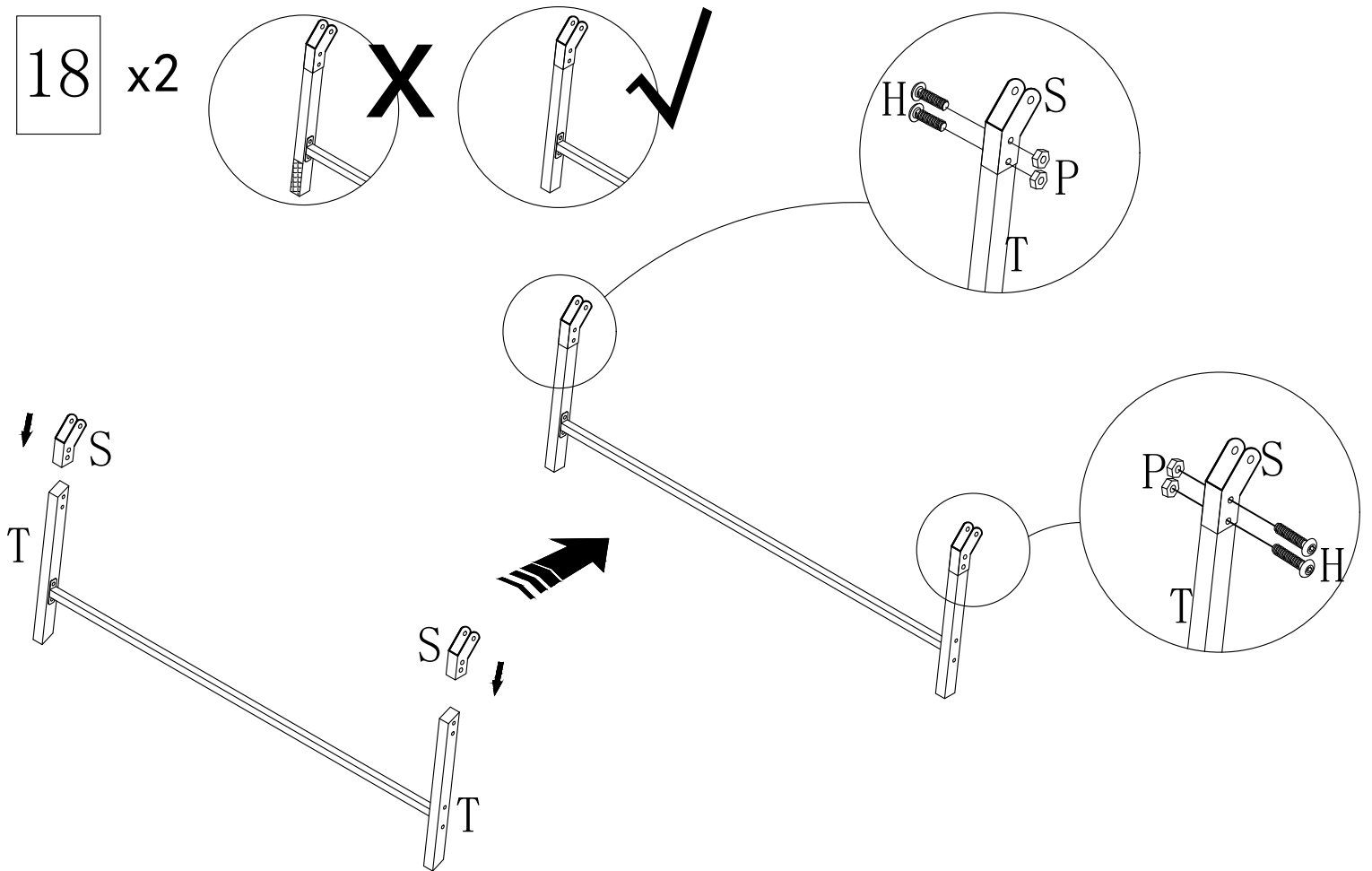
V	 1.5	4	O	 m5	8	J	 5*40	8
---	---	---	---	--	---	---	--	---


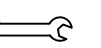



17 x2



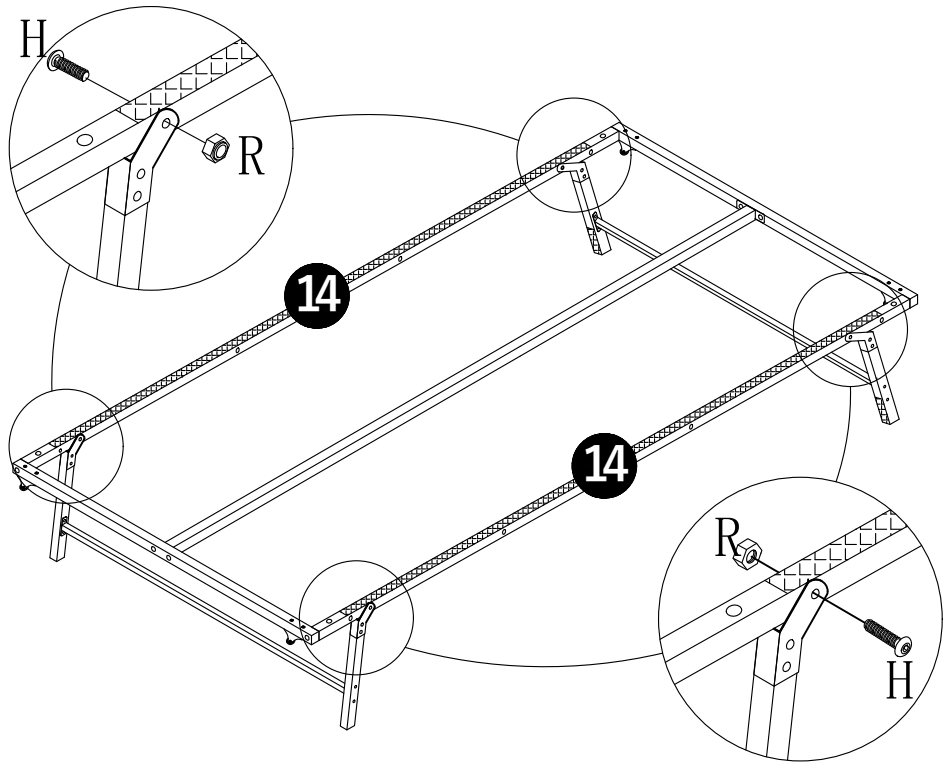
f	 m6	1	c		1	T	 32cm	4	P	 m6	8	H	 6*30	8
---	--	---	---	---	---	---	--	---	---	--	---	---	--	---


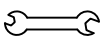
18 x2





f	 m6	1	c		1	S		4	P	 m6	8	H	 6*30	8
---	--	---	---	---	---	---	---	---	---	--	---	---	--	---

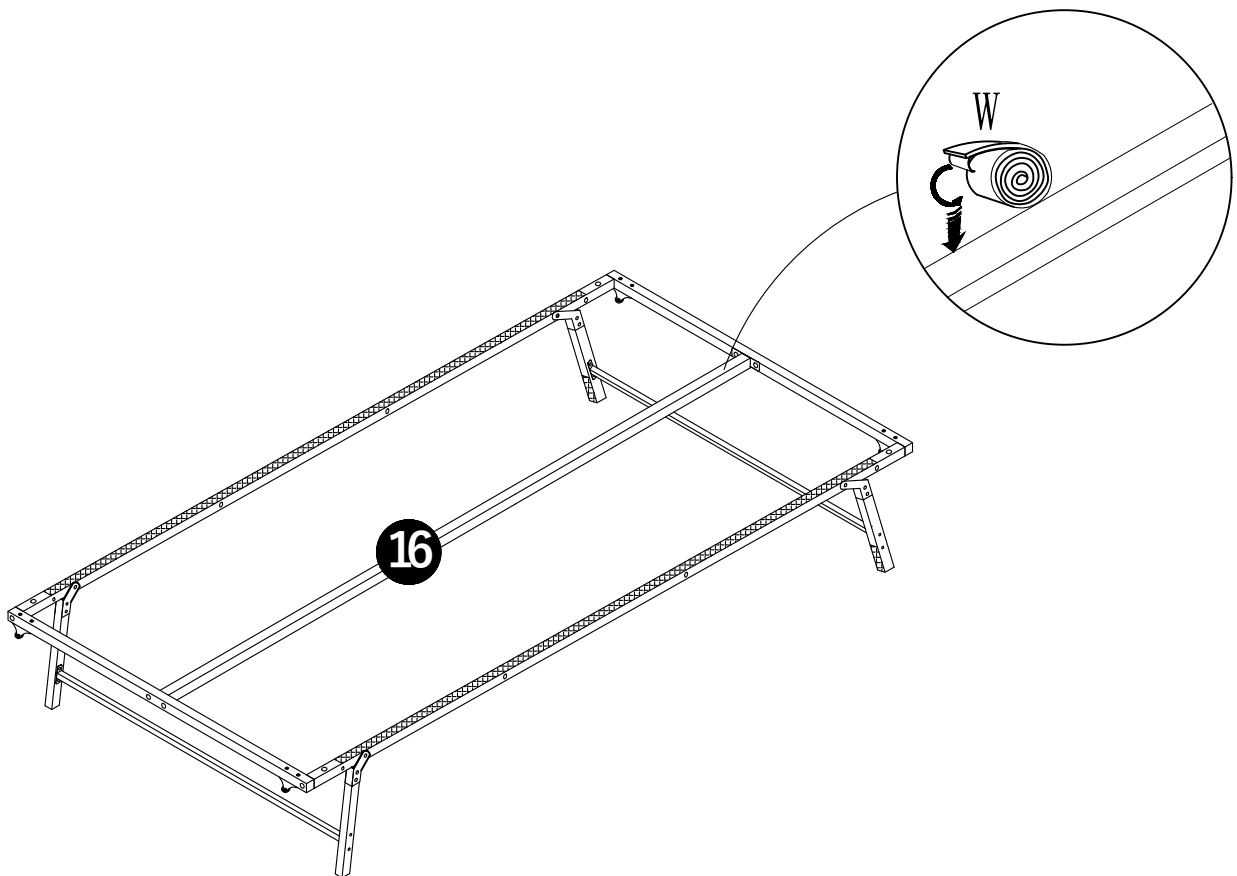
19




f		m6	1	c		1
---	---	----	---	---	---	---

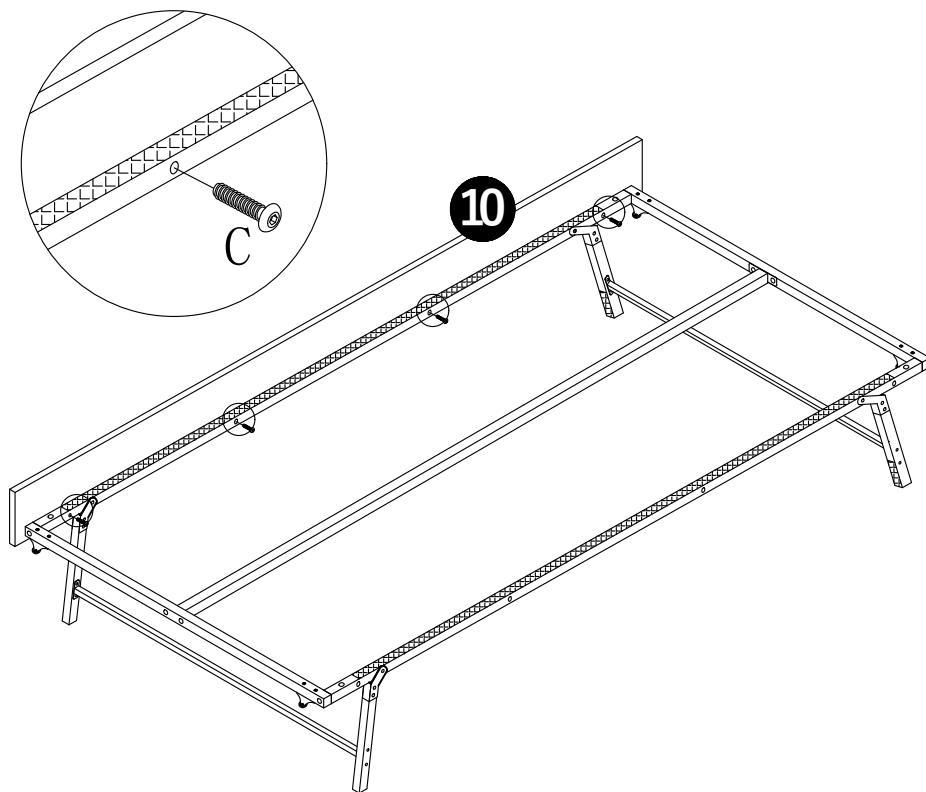
R		m6	4	H		4
---	---	----	---	---	---	---

20

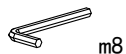


W		1
---	---	---

21



b



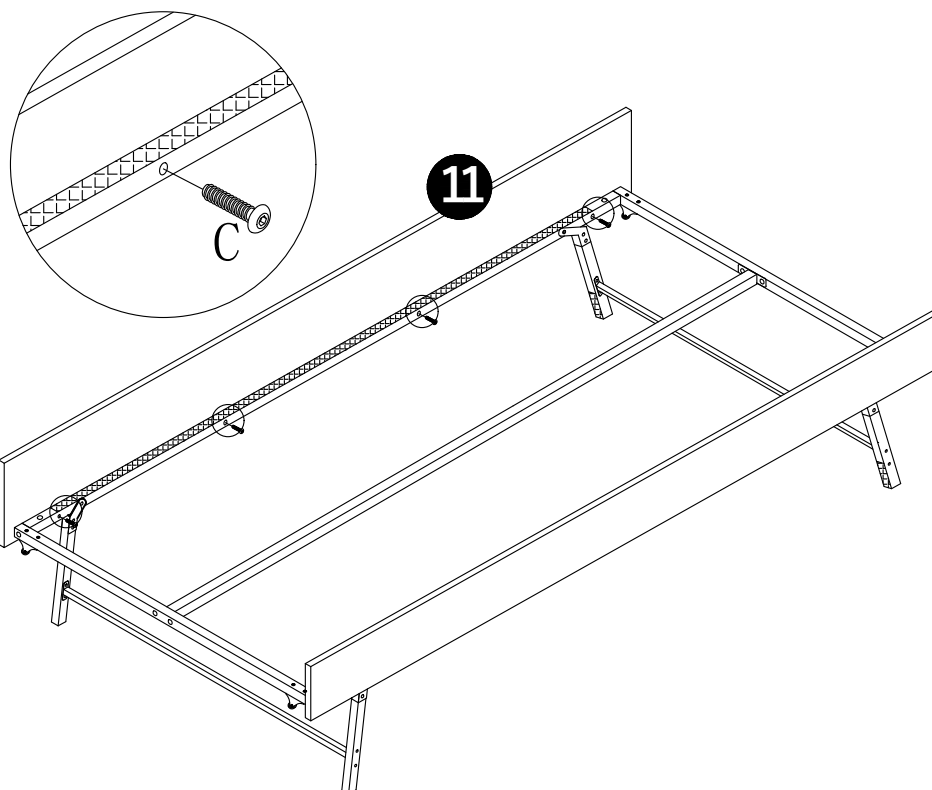
1

C

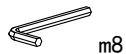


4

22



b



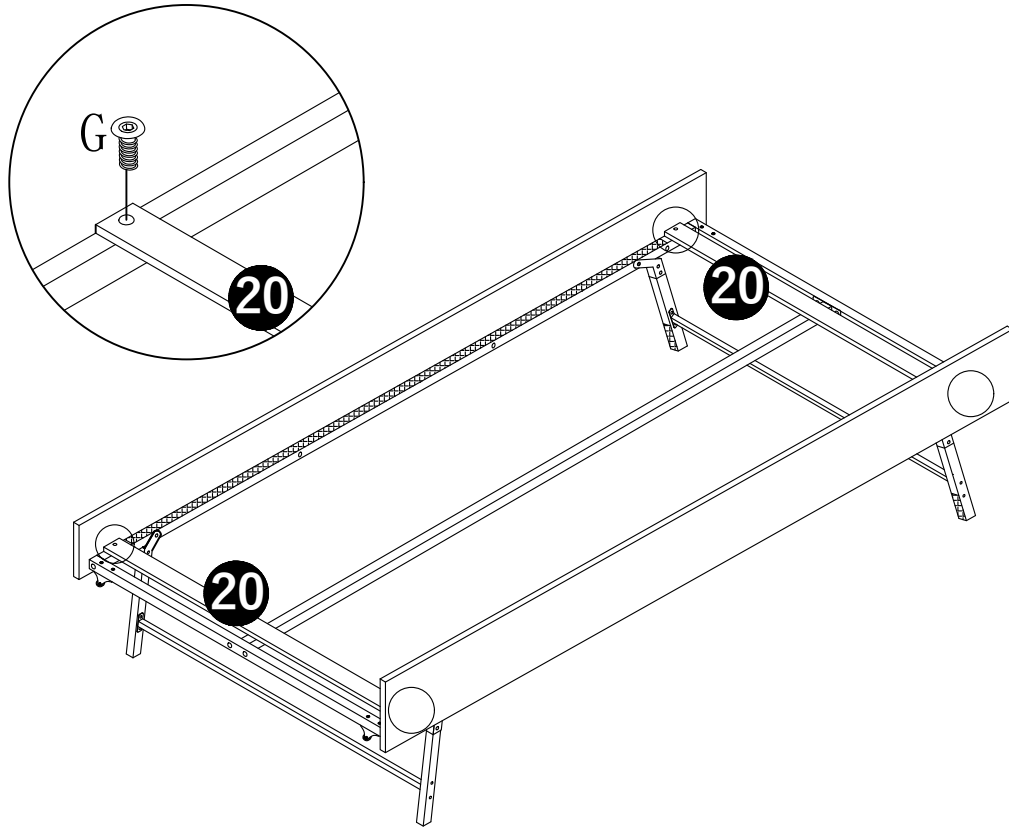
1

C

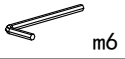


4

23



f



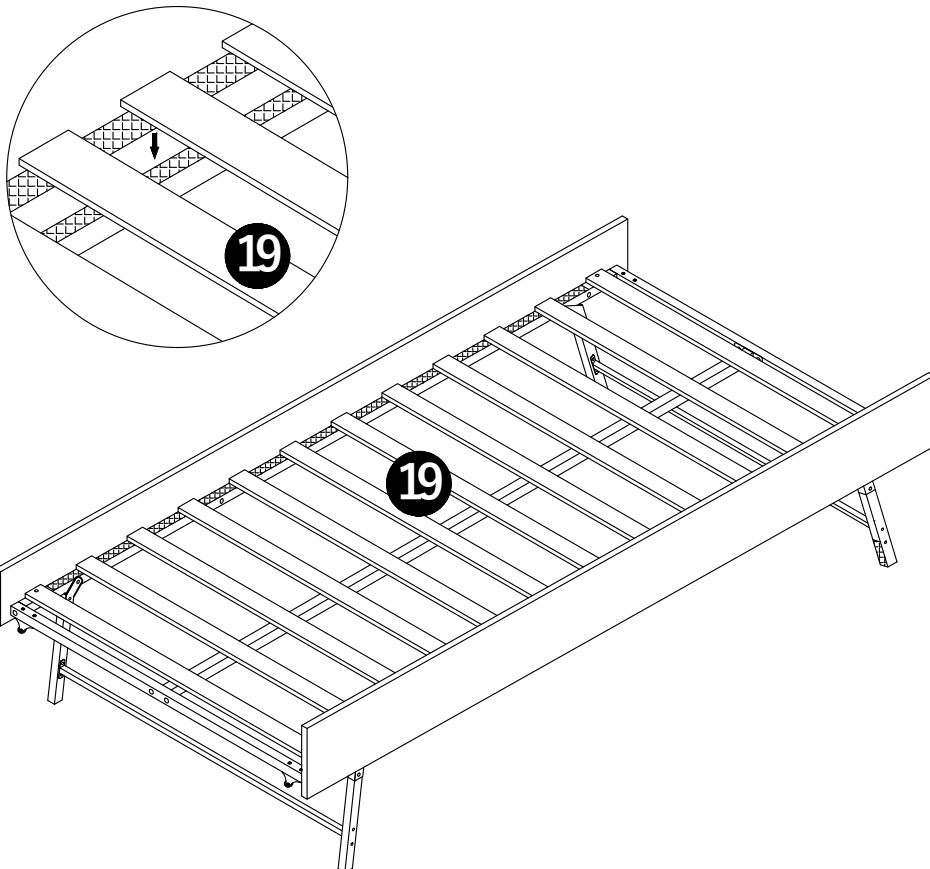
1

G

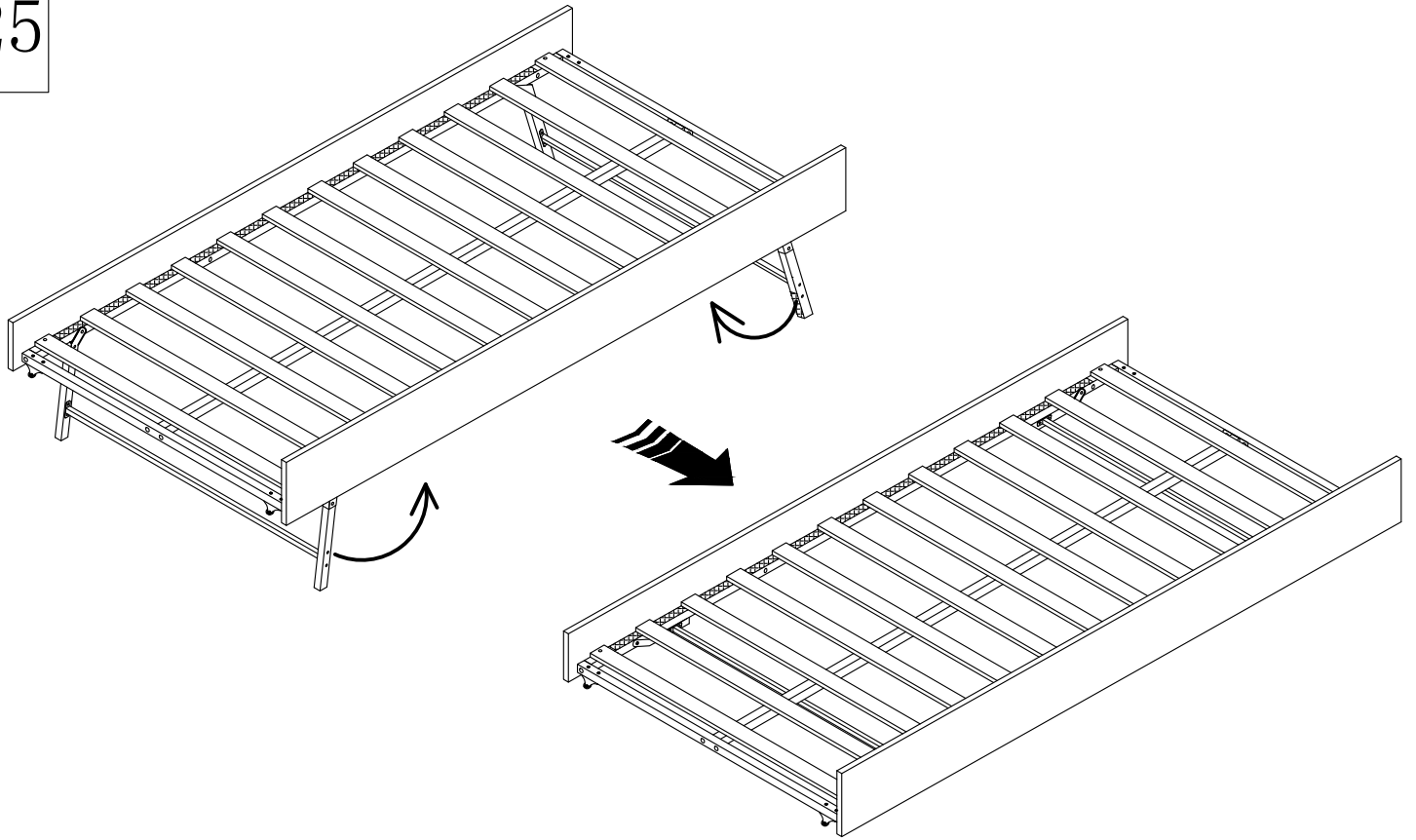


4

24



25



26

