

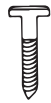
Z-BAR SECURITY HARDWARE

Installation

Hardware Included:



A. Wrench (1X)



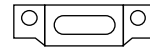
B. T-Screw (2x)



C. Round Screw (2x)



D. Plastic Anchor (4x)

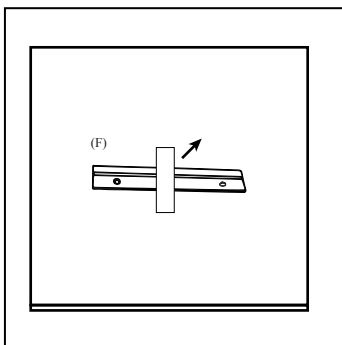


E. Bracket (Preinstalled)

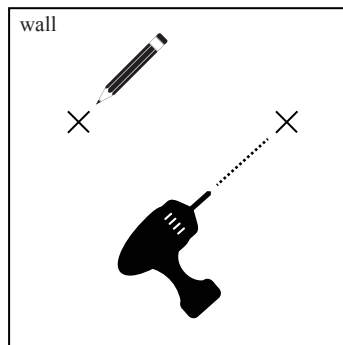


F. Z-Bar (2x)
(1 Preinstalled)

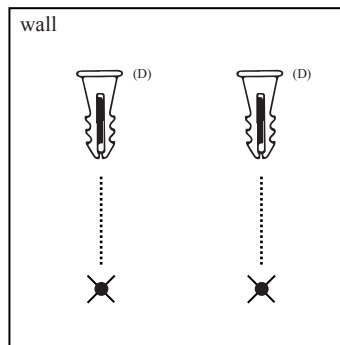
Installation:



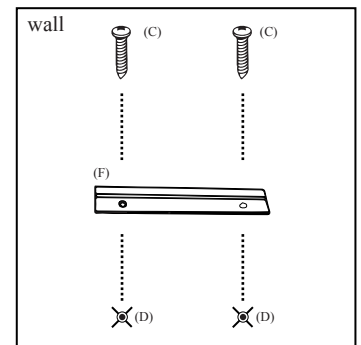
1.



2.

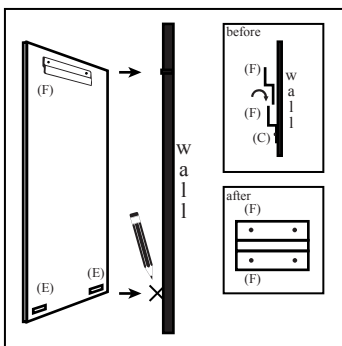


3.

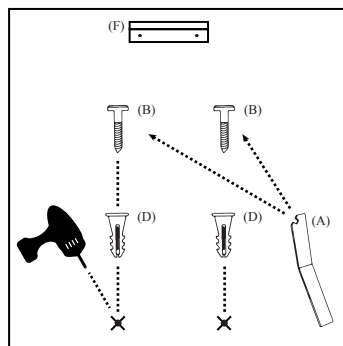


4.

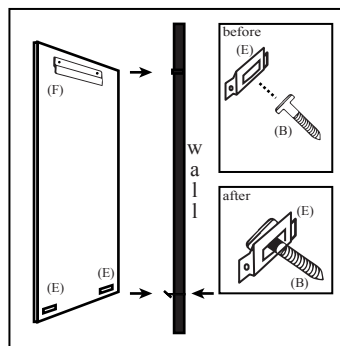
1. Remove the taped Z-Bar (F) from the back of the artwork/mirror. If not taped to the back, Z-Bar hardware will be located in the security bag on pallet #1.
2. Mark on wall where Z-Bar (F) will hang and drill two holes in the marked location.
3. Firmly insert anchors (D) into drilled holes.
4. Place the Z-Bar (F) over the anchors (D) and fasten to wall using round screws (C).



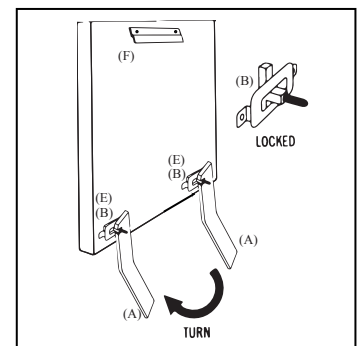
5.



6. & 7.



8.



9.

5. Temporarily place artwork on wall, fitting the Z-Bar (F) together and mark on the wall where the bottom brackets (E) will be fastened.
6. Place artwork aside and drill another two holes where the marks were made and firmly insert the anchors (D).
7. Insert T-Screws (B) into the anchors (D) and tighten leaving the T-Screws (B) in a horizontal position using the wrench (A).
8. Place artwork over the Z-Bar (F) and insert T-Screw (B) through the bottom brackets (E).
9. With the T-Screw (B) fitted into the Bracket (E) channel, use the security wrench (A) provided to tighten the screw 90° into a vertical position, locking the artwork/mirror into place on both brackets.



DO NOT

- Do not use cleaning products on frames.
- Do not throw away security hardware.
- Do not drop or mishandle artwork/mirrors.