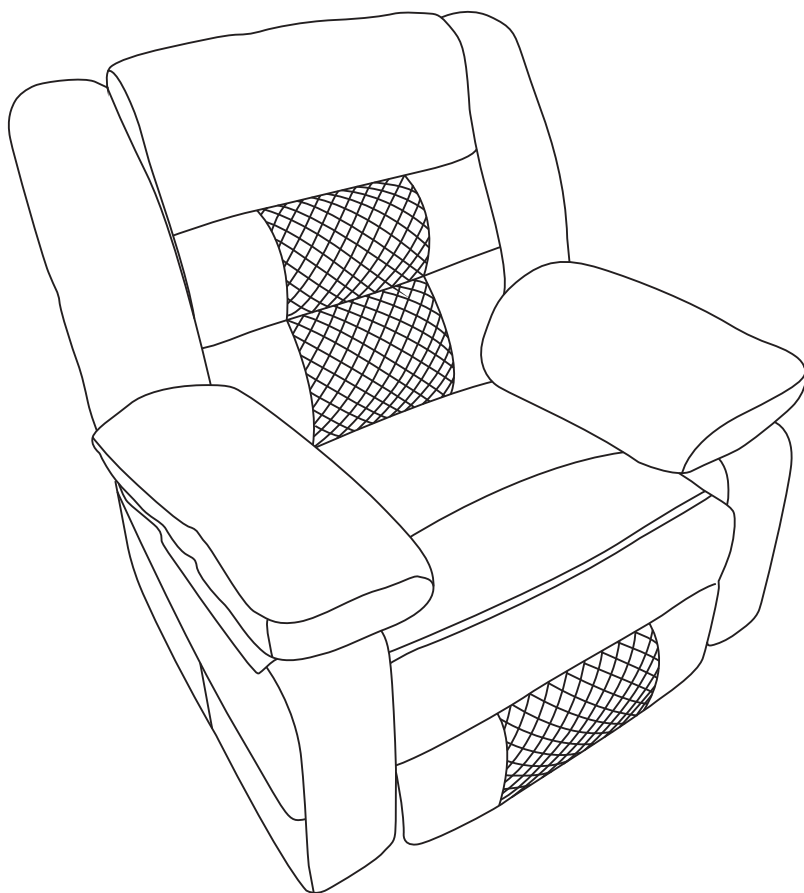
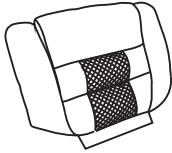


Assembly Instructions



Accessories Display

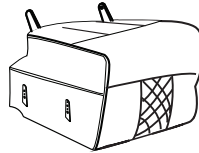
CAUTION: Please check and ensure all the things are in the package. You can contact us if something is not included. We will reply within 24 hours and try our best to solve it.



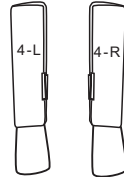
1. Back Cushion * 1pcs



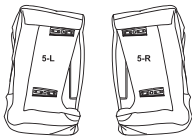
2. Back Frame * 1pcs



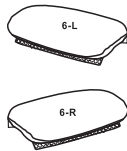
3. Seatbase * 1pcs



4. Backrest Ear Part R & L



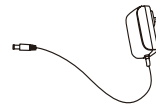
5. Armrest R & L



6. Armrest Pillow R & L



A. Remote Control * 1pcs

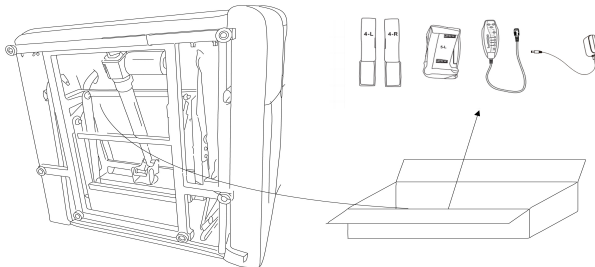


B. Power Cord * 1pcs

IMPORTANT!

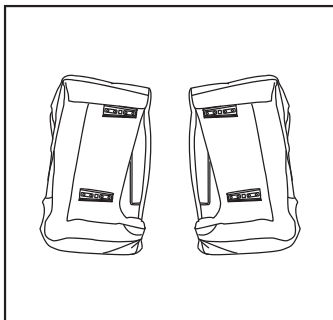
Please turn the seatbase over and
Find the components: 4, 5-L, A, B

Find a small accessory box in the bottom of the seatbase, take them out and then finish your assembling of the sofa.



Armrest Assembly

CAUTION: At least two adults are required to safely complete performing this task.
Other lifting attempts may risk back injury due to large and heavy part(s).



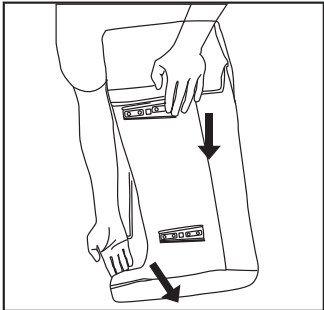
- 01** Find the accessories pictured on the left.
Placed it on the ground for subsequent installation.



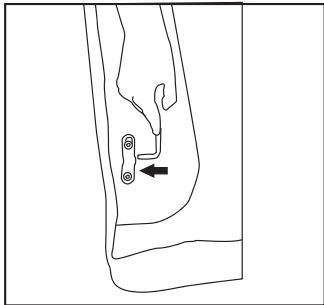
- 02** Hold the long board with your blue hand and open the armrest with your red hand.

Armrest Assembly

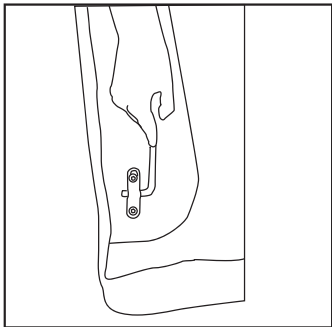
CAUTION: At least two adults are required to safely complete performing this task. Other lifting attempts may risk back injury due to large and heavy part(s).



03 Place one hand on the red short board area in the picture and apply downward force while installing the hook part as indicated in the picture (some force is needed to install the hook)



04 Once fully opened, insert the hook into the pre-positioned hole.



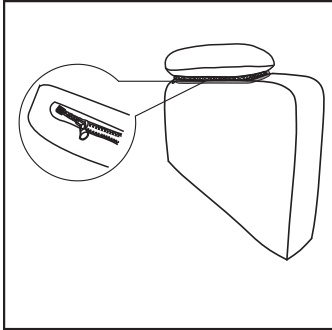
05 Make sure it is fully inserted and the armrest is assembled.

Armrest Assembly

CAUTION: At least two adults are required to safely complete performing this task.

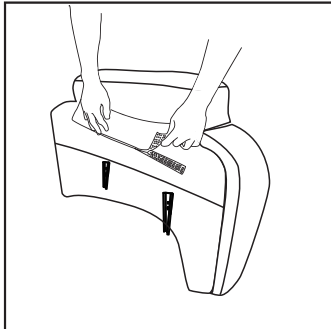


Other lifting attempts may risk back injury due to large and heavy part(s).



06 Align accessory **6-R** with the zipper on the armrest to complete the installation;

The other armrest bag is installed in the same way;

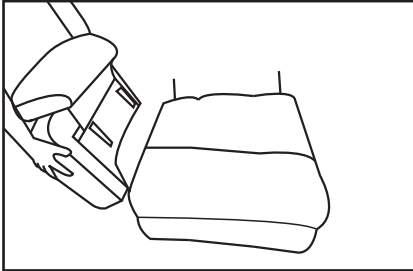


07 Paste accessory **6-R** on the Velcro back of the armrest to complete the installation;

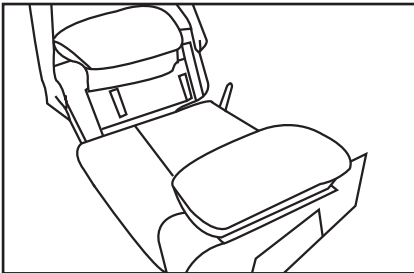
The other armrest bag is installed in the same way.

Seating Assembly

CAUTION: At least two adults are required to safely complete performing this task.
Other lifting attempts may risk back injury due to large and heavy part(s).



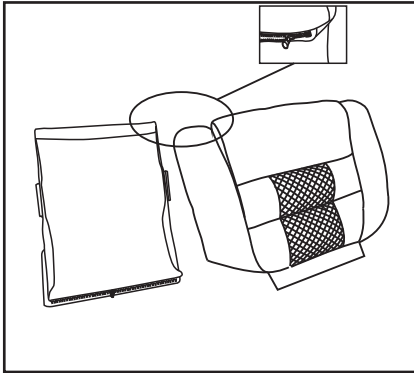
01 Align the pins on the armrest with the pins on the seat, and push down to install the armrest on the seat;



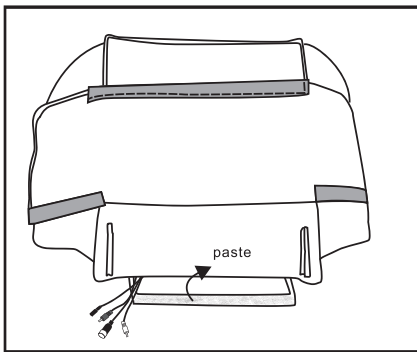
02 The installation is the same on the other side.

Backrest Assembly

CAUTION: At least two adults are required to safely complete performing this task.
Other lifting attempts may risk back injury due to large and heavy part(s).



01 Assemble Part **1** and Part **2** and zip them up;



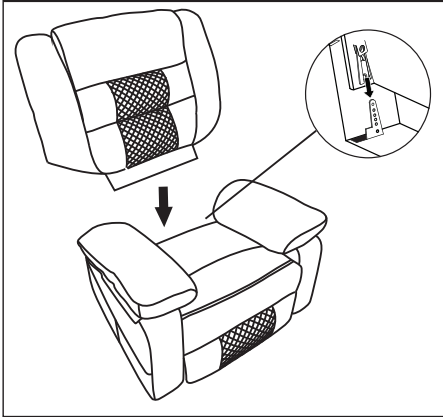
02 Place the power cord at the end of the backrest and attach the Velcro.

Sofa Assembly

CAUTION: At least two adults are required to safely complete performing this task.



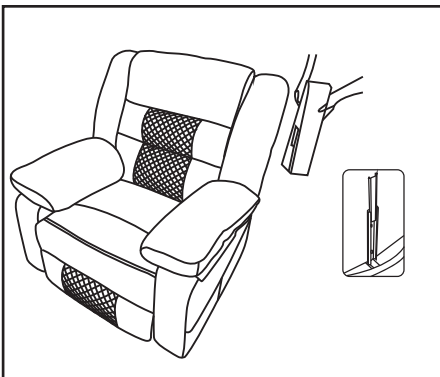
Other lifting attempts may risk back injury due to large and heavy part(s).



01

Align the pins of the backrest with the pins of the seat, and press downward to assemble the backrest and seat; Try shaking the backrest after installation, if one side wobbles up and down, it is not fully assembled.

Please make sure to hear a 'click' sound

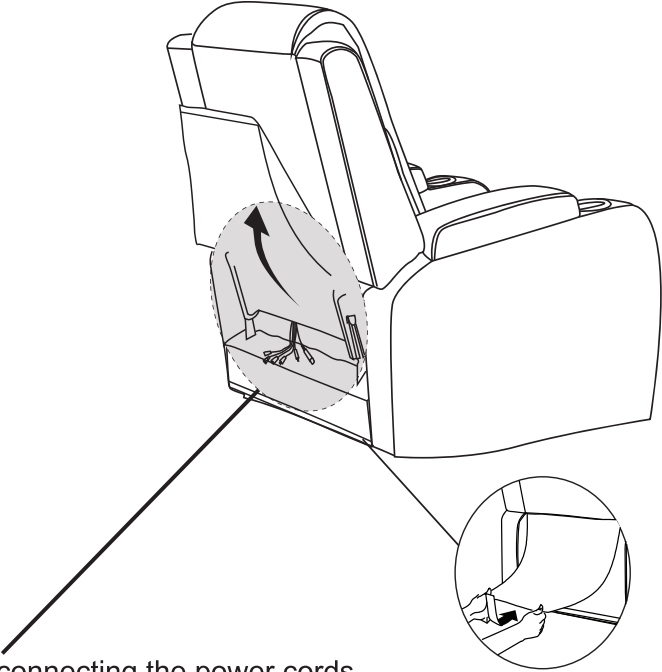


02

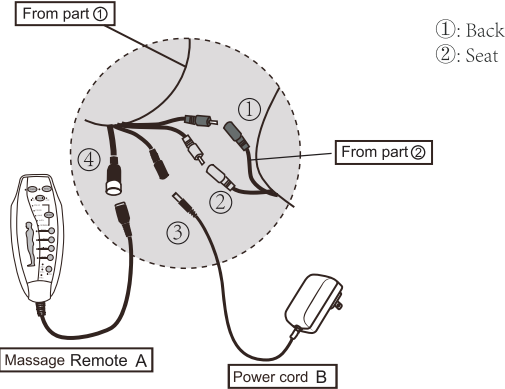
Assemble the part **4-R** by aligning the pins on it with the pins on the back of the backrest;

Assemble the other side in the same way;

Wire Assembly

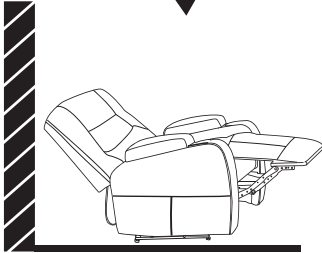
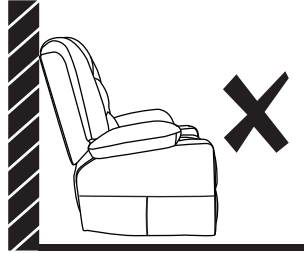
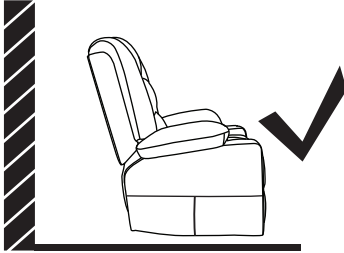


The method of connecting the power cords



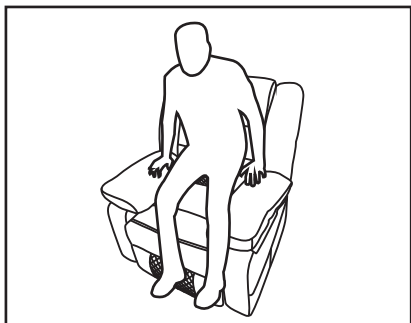
USAGE

Leave
enough space
for reclining back



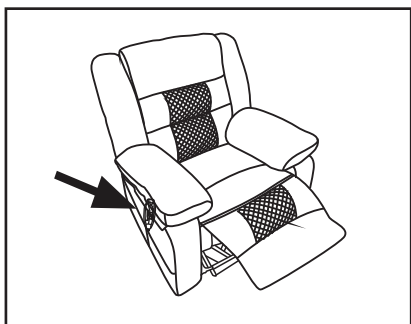
The recliner should be placed 45cm away from the wall, and the reclining function can be used normally.

PROPER USAGE



01 Steps to safely stand up from your Recliner Chair

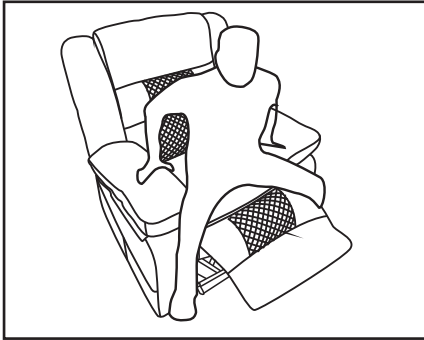
1. Store the remote control safely in the side pocket of the seat
2. Place your feet firmly on the ground
3. Distribute the weight of the chair evenly between the arms
4. Stand up slowly from an upright position



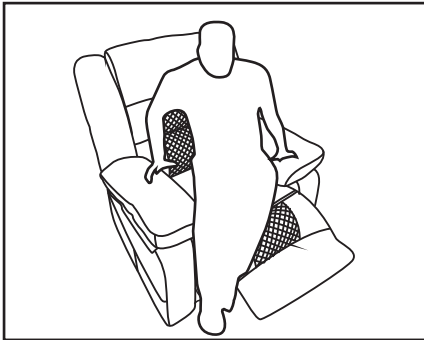
02 *Remember to store remote control safely in the side pocket when it is not in use.

*Fabrics will fade or discolor in direct sunlight, please minimize direct sunlight to extend the life of the furniture.

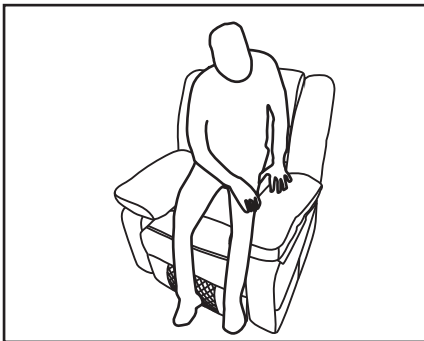
IMPROPER USAGE



01 DO NOT
stand up when the footrest
is in the upright position.

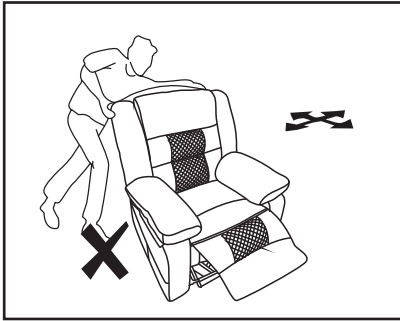


02 DO NOT
stand up from your recliner chair
with uneven weight.



03 DO NOT
stand up from your recliner chair
with only one arm.

IMPROPER USAGE



04 Please handle with care as the product contains moving parts.

* Only move the recliner when it is in the 'upright' or 'closed' position. Never attempt to move the recliner when it is in any of the reclining positions. Always use the arms to move the Recliner-DO NOT use the backrest or backrest ear parts.

WARRANTY

So glad you have completed the assembly and can enjoy it. If you are satisfied with our products, thank you for showing your favored massage recliner to your around.

Our products come with a 2-month warranty, you can feel free to contact us at any time.

AFTER-SALE POLICY

1.For return reason:

Wrong purchase, bought by mistake, no longer needed, doesn't meet expectation, a size smaller than expectation, customer need to cover the return shipping fee.

2.For cancel order:

Customer needs to pay for shipping fee and carrier handle fee if the item has been shipped out. For change address: customer needs to pay for extra shippingfee and carrier handle fee if the item has been shipped out.

3.Customer Service:

Any problem with the product or shipping issue, please feel free to contac us, we will try our best to serve and help.

Dear Customer,

Thank you for choosing us.

For safe use, please read this manual before installation, and keep it for after use. Please feel free to email us if you have any concerns about our products. We'll reply within 24 hours.

The following are the things you need to pay attention to so that we can provide you with services when you encounter problems during the installation and use of the product:

- When the product is damaged due to courier problems, please contact our customer service in time for verification.
- We will rectify the issue as soon as possible;
- We provide a 7-day no-reason return service (note that the returned product will not affect the secondary sales);

We offer product explanations, installation instructions, product maintenance and maintenance methods.

If you feel satisfied with our product and service,

- Please set our store as your favorites;
- Please recommend our products to your friends;
- Please and leave us your purchase experience in our store or product page.

Feedback or reviews from you will greatly help us offer better services to players around the world.

Best regards

Avoid using sharp objects such as a knife to cut open packing as you may accidentally damage the upholstery.