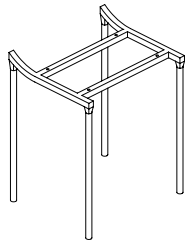
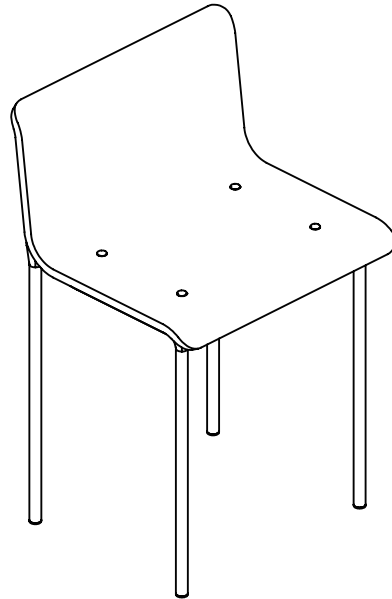
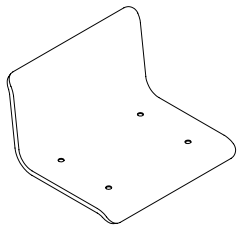


Assembly Instructions



A (1 pc)



B (1 pc)



C (4 pcs)



D (4 pcs)



E (4 pcs)



F (4 pcs)



G (4 pcs)



H (4 pcs)



I (1 pc)

PLEASE NOTE

- Check all components and hardware are included before assembling.
- Hand tighten screws only and when screws are in place, tighten completely.

STEP 1.

