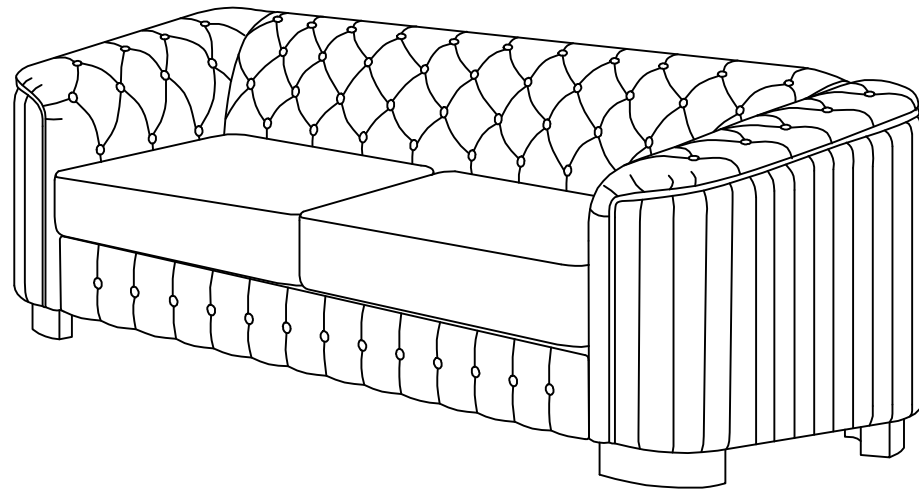
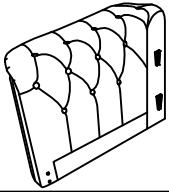
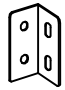

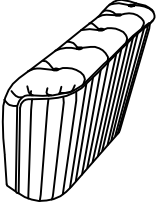


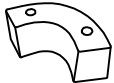
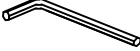
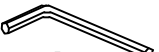
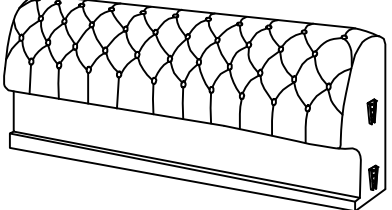
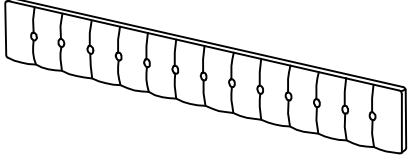


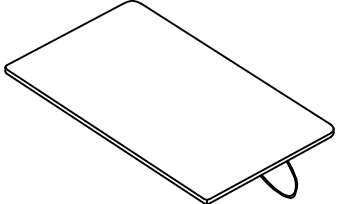


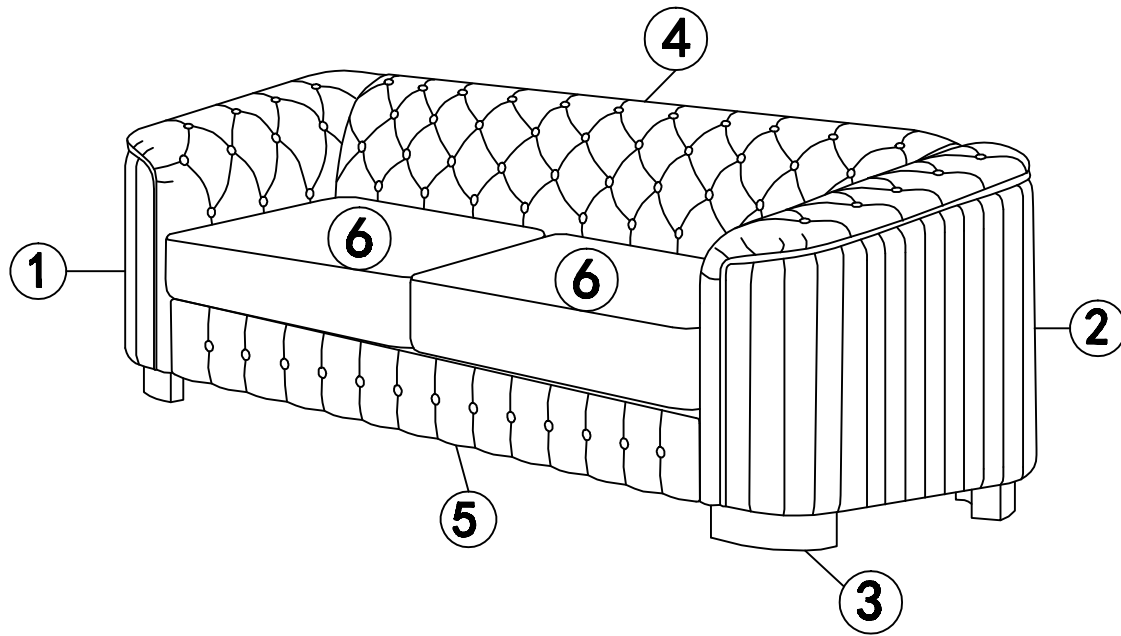
# ASSEMBLY INSTRUCTION



**SINGLE SOFA is packed in 2 Cartons**

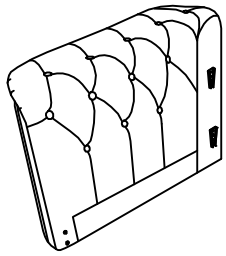
Carton	Disignation	Part	Part	Hardware
<b>2/2</b>	<b>Left Armrest</b>	<b>①</b>		 <b>Ax2</b>  <b>Bx8</b>
	<b>Right Armrest</b>	<b>②</b>		 <b>Cx8</b>  <b>Dx8</b>
	<b>Leg</b>	<b>③</b>		 <b>M4 Ex1</b>  <b>M6 Fx1</b>
<b>1/2</b>	<b>Backrest</b>	<b>④</b>		
	<b>Front Board</b>	<b>⑤</b>		
	<b>Seat Cushion Filling</b>	<b>⑥</b>		
	<b>Seat Cushion Cover</b>	<b>⑦</b>		
	<b>Seat Frame</b>	<b>⑧</b>		

# ASSEMBLY INSTRUCTION



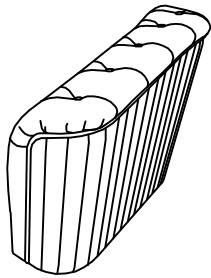
## PART LIST

① 1pc



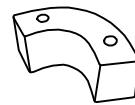
Left Armrest

② 1pc



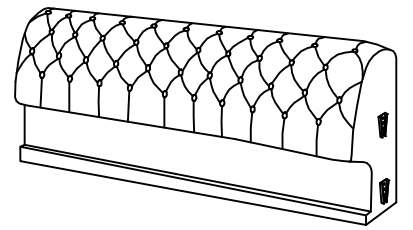
Right Armrest

③ 4pcs



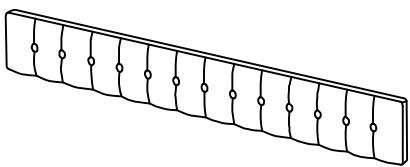
Leg

④ 1pc



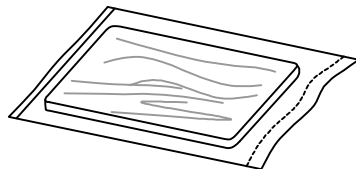
Backrest

⑤ 1pc



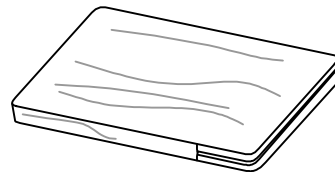
Front Board

⑥ 2pcs



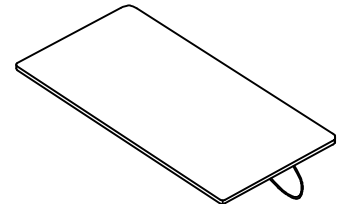
Seat Cushion Filling

⑦ 2pcs



Seat Cushion Cover

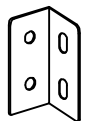
⑧ 1pc



Seat Frame

## HARDWARE LIST

A 2pcs



B 8pcs



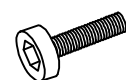
Flat washer

C 8pcs



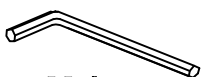
Bolt

D 8pcs



Bolt

E 1pc



M4  
Allen Key

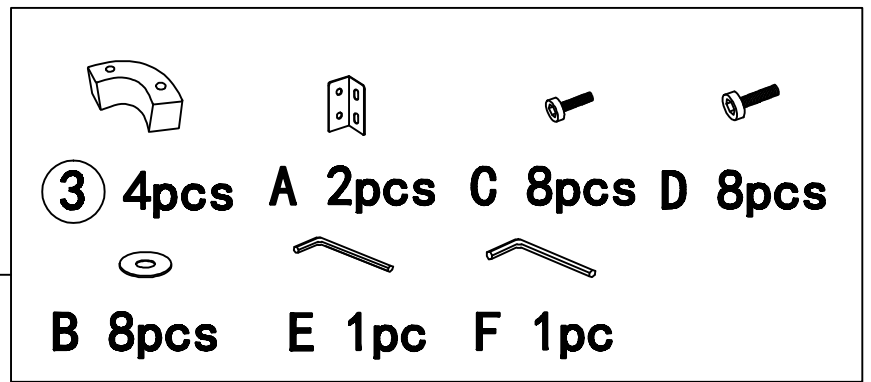
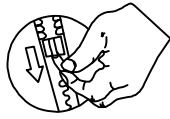
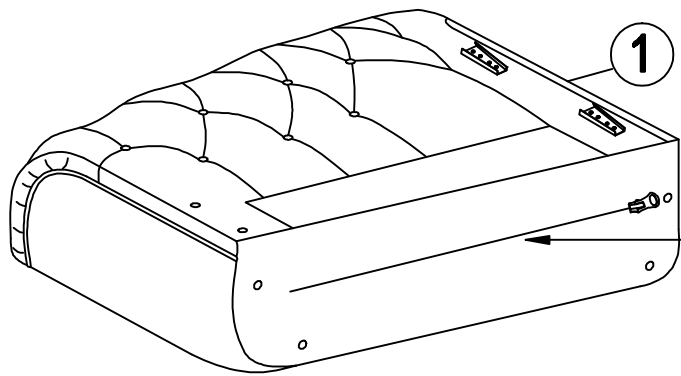
F 1pc



M6  
Allen Key

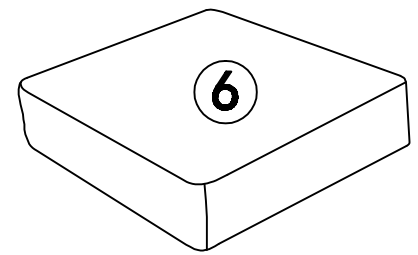
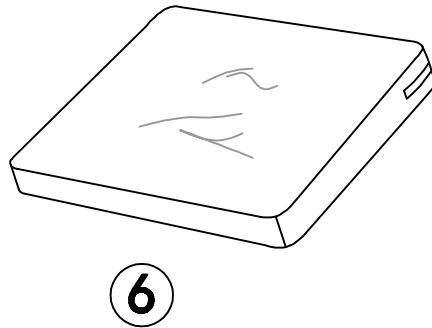
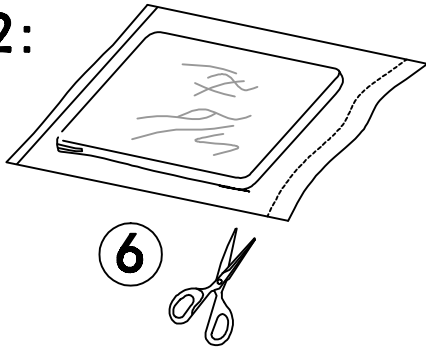
# ASSEMBLY INSTRUCTION

## STEP 1:

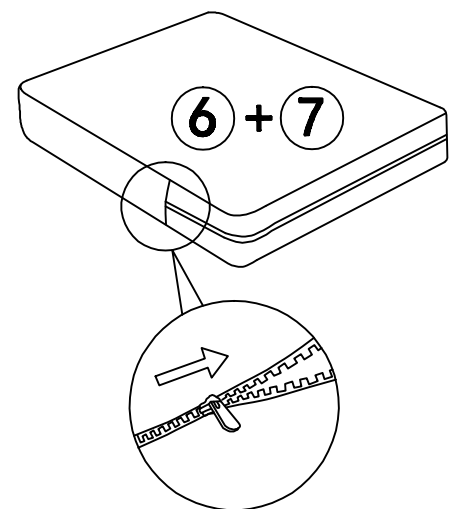
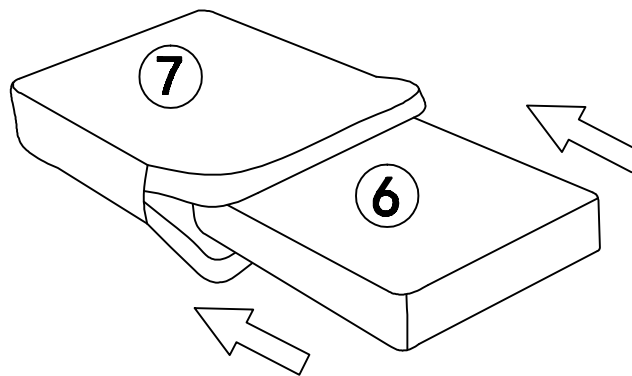
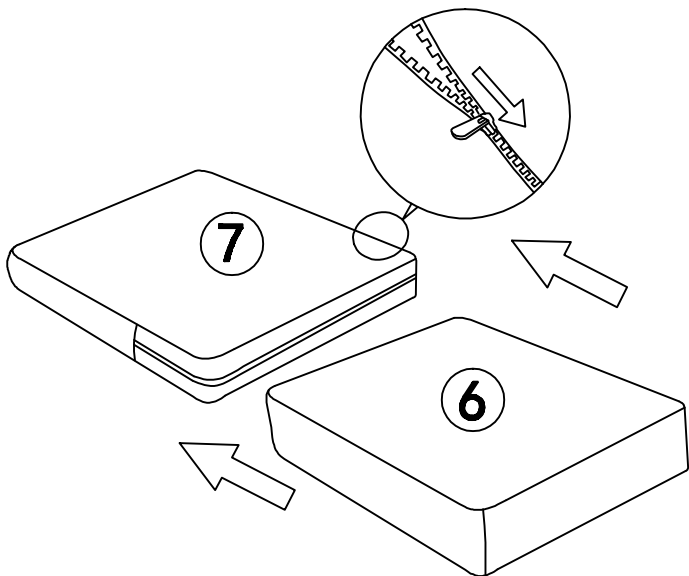


Take out hardware

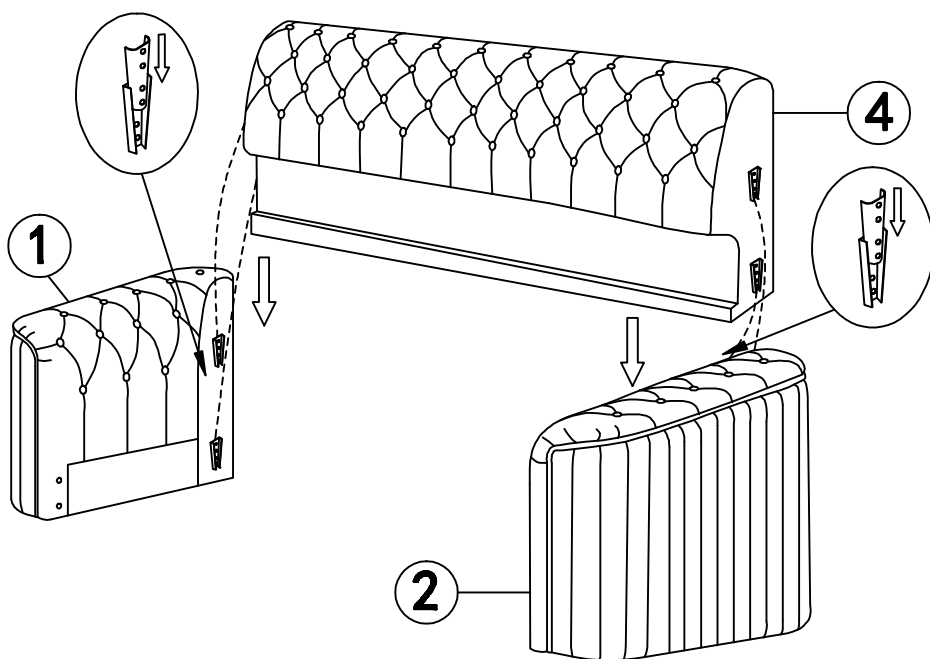
## STEP 2:



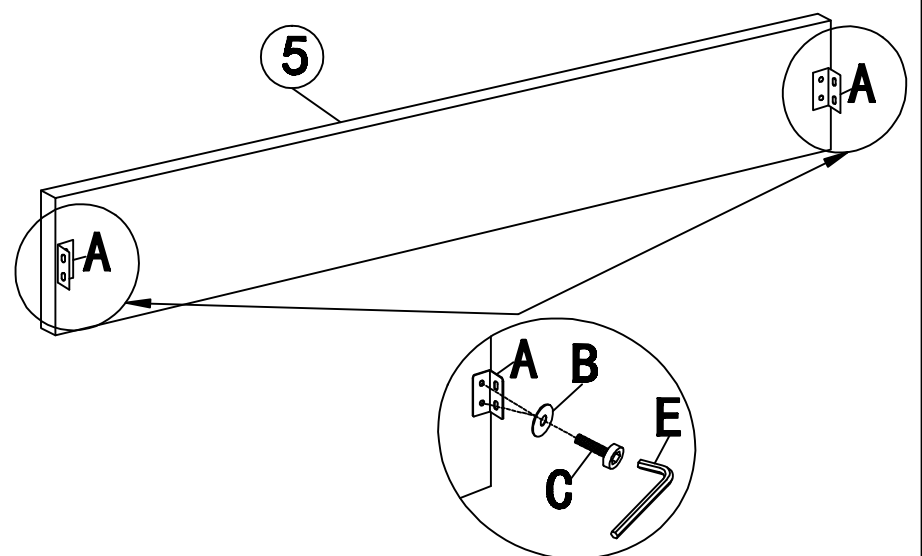
Please wait for 72 hours.



## STEP 3:

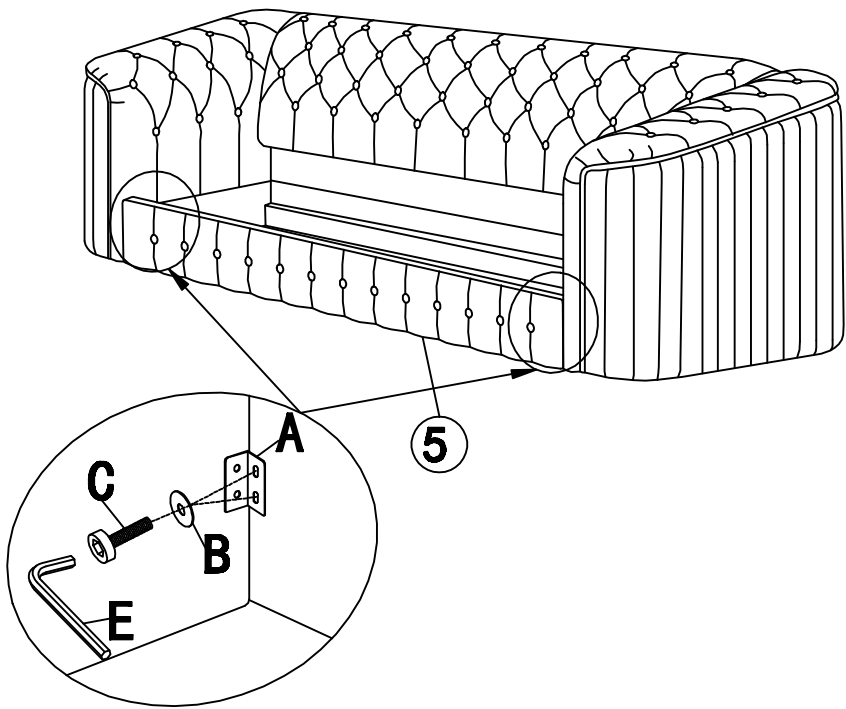


## STEP 4:

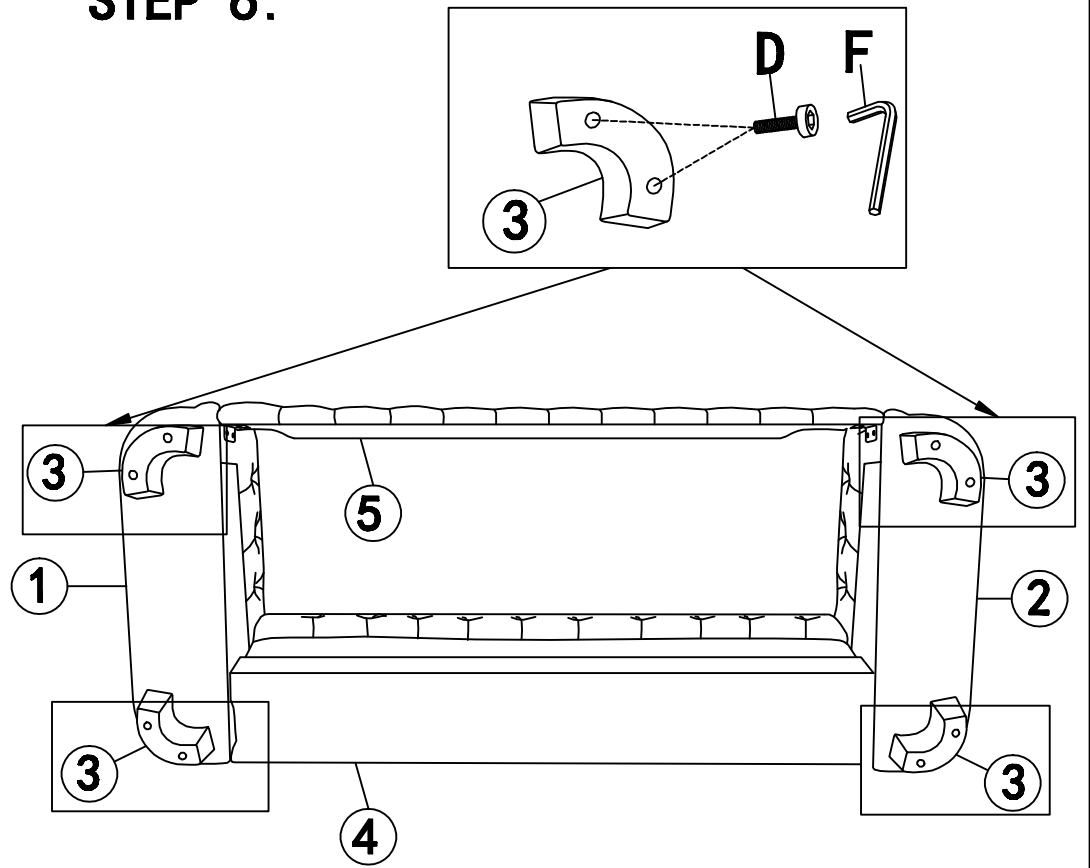


# ASSEMBLY INSTRUCTION

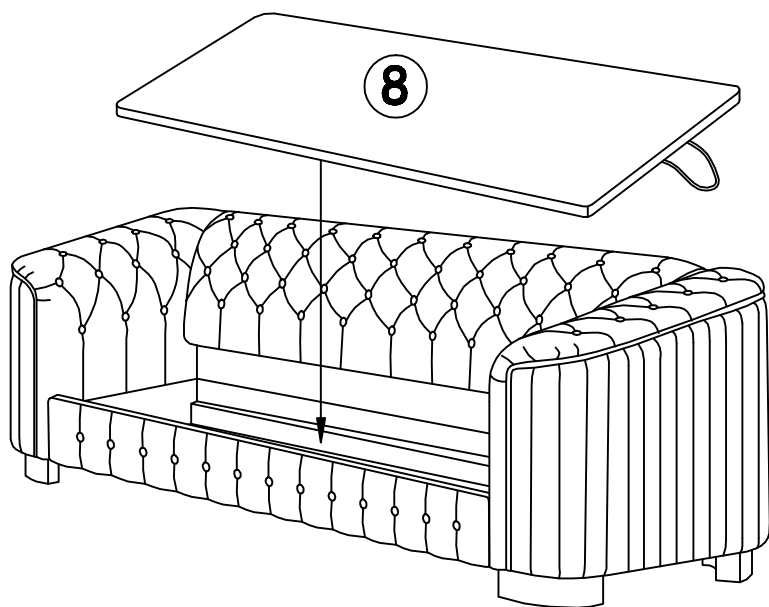
STEP 5:



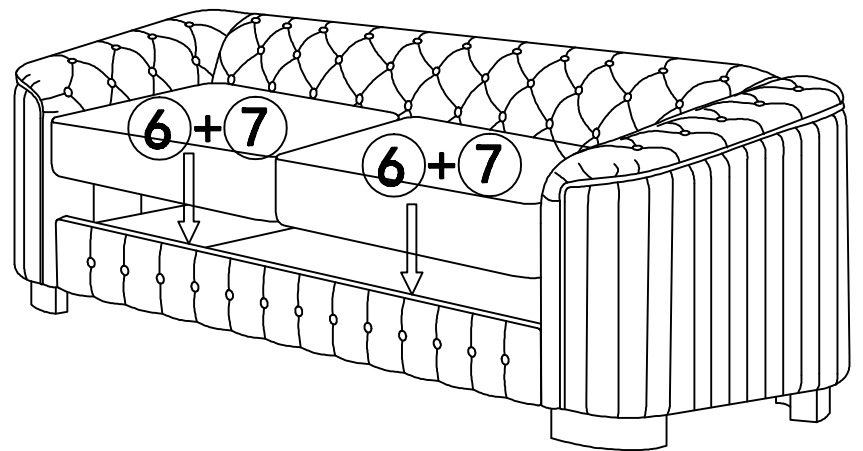
STEP 6:



STEP 7:



STEP 8:



STEP 9:

