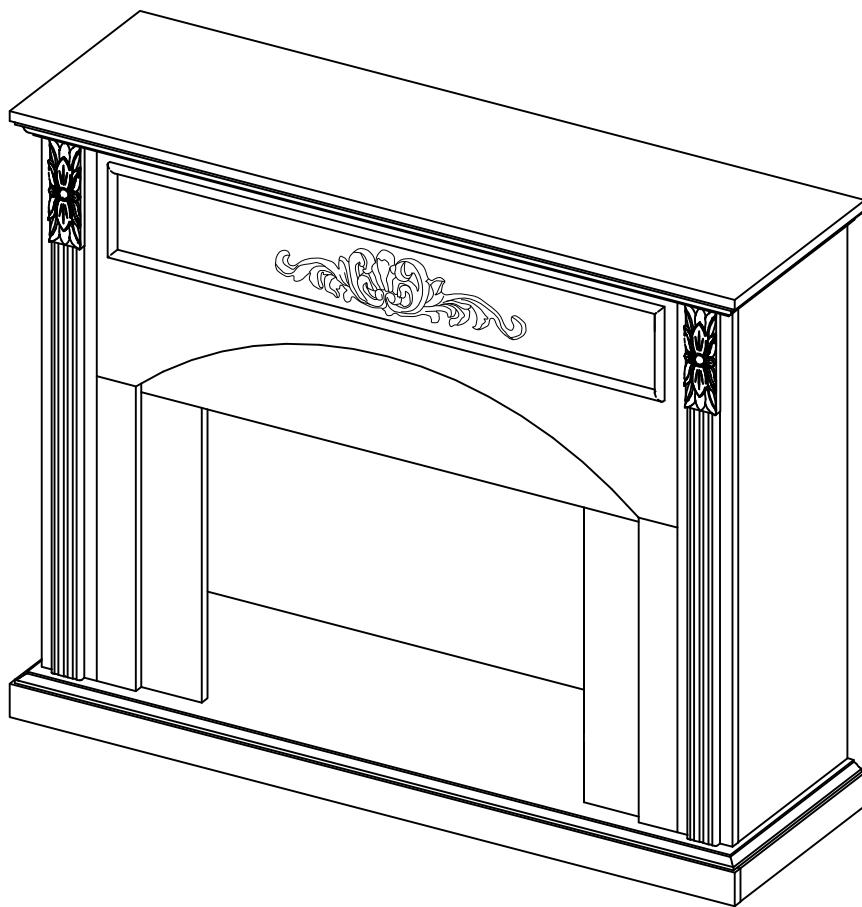


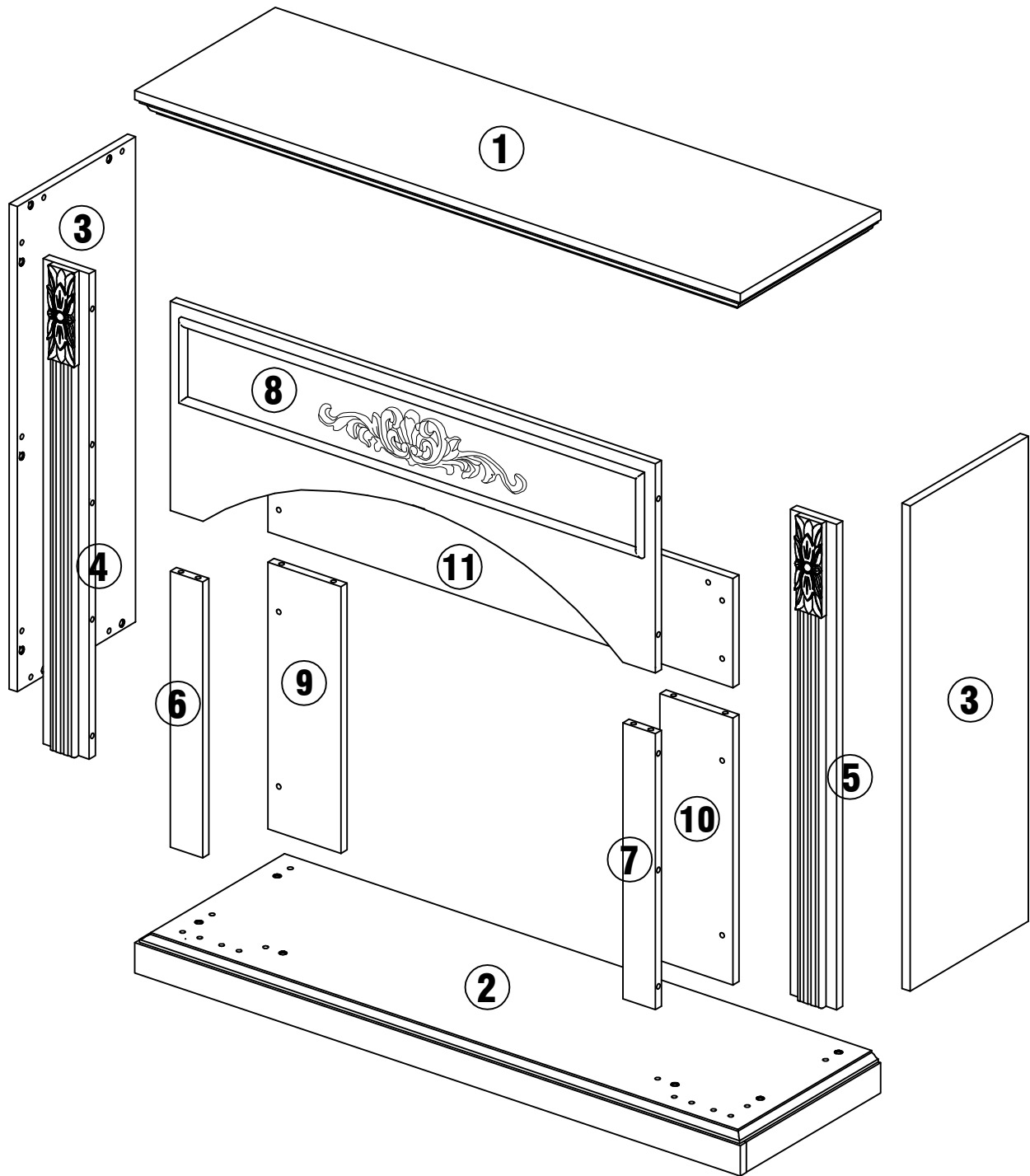
ASSEMBLY INSTRUCTIONS

ITEM:SKU220092



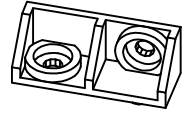
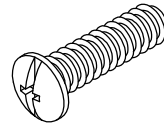
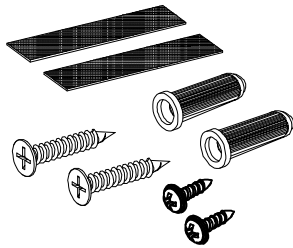
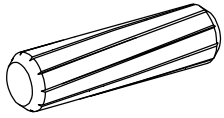
Email:weipufurniture@gmail.com

PACKAGE INCLUDE



PACKAGE CONTENT

φ8X30MM



A

26X+1

B

1X

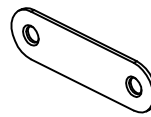
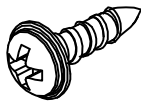
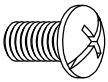
C

12X+1

D

19X+1

φ3.5X12MM



E

38X+1

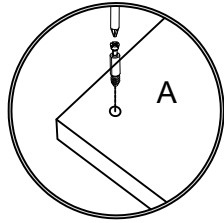
F

20X+1

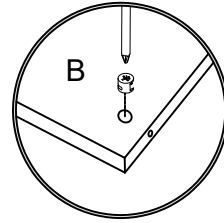
G

10X

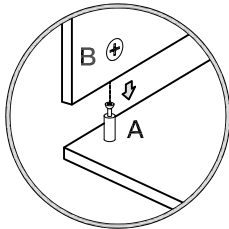
How to use the cam lock system



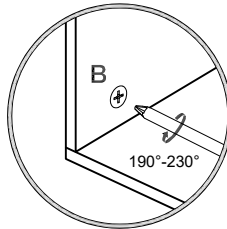
1. Screw cam bolt into panel



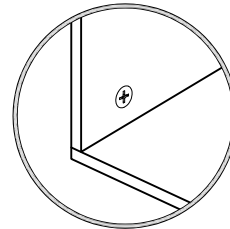
2. Push cam into panel - arrow feature on cam top points to panel edge



3. Align cam bolt(s) with cam(s) and insert all the way into cross-bored hole(s)

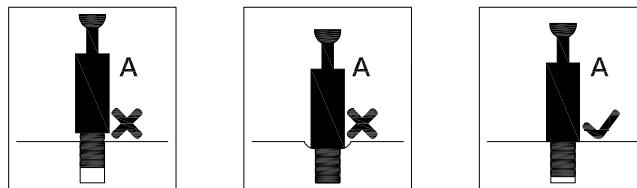
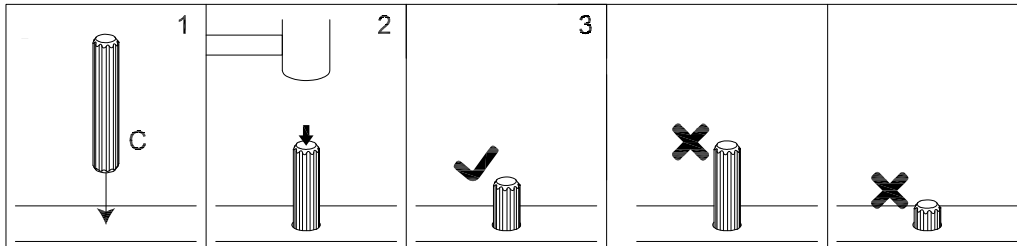


4. Rotate cam(s) clockwise 190°-230° to lock panels together



5. Panels should be tight against each other and connection should be rigid

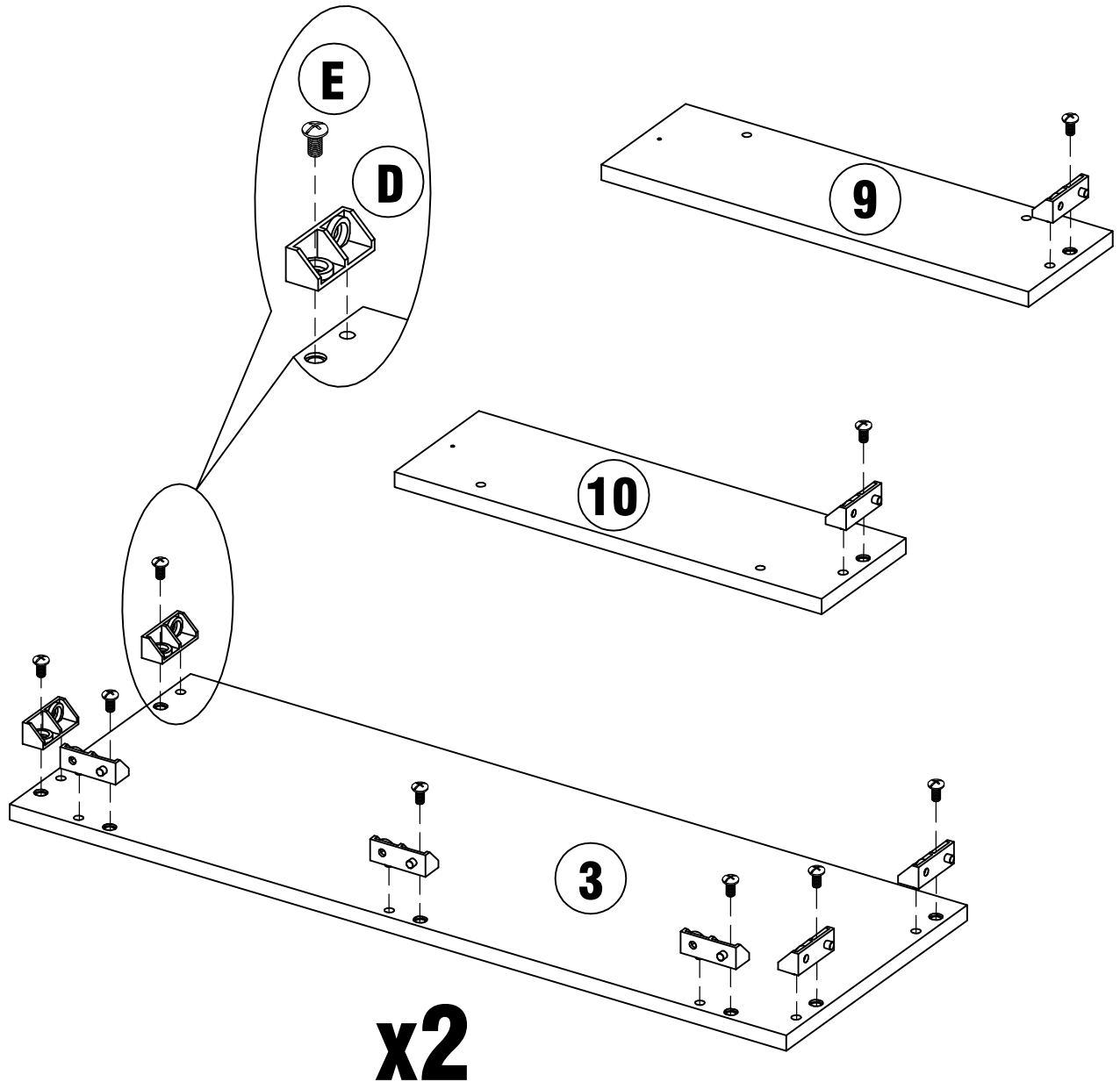
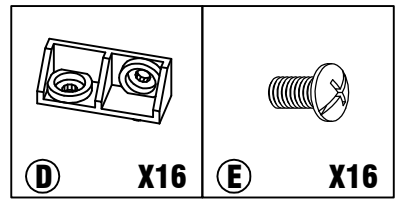
Insert the wood dowel [C] at least half way by tapping lightly with a rubber mallet, IF NECESSARY.



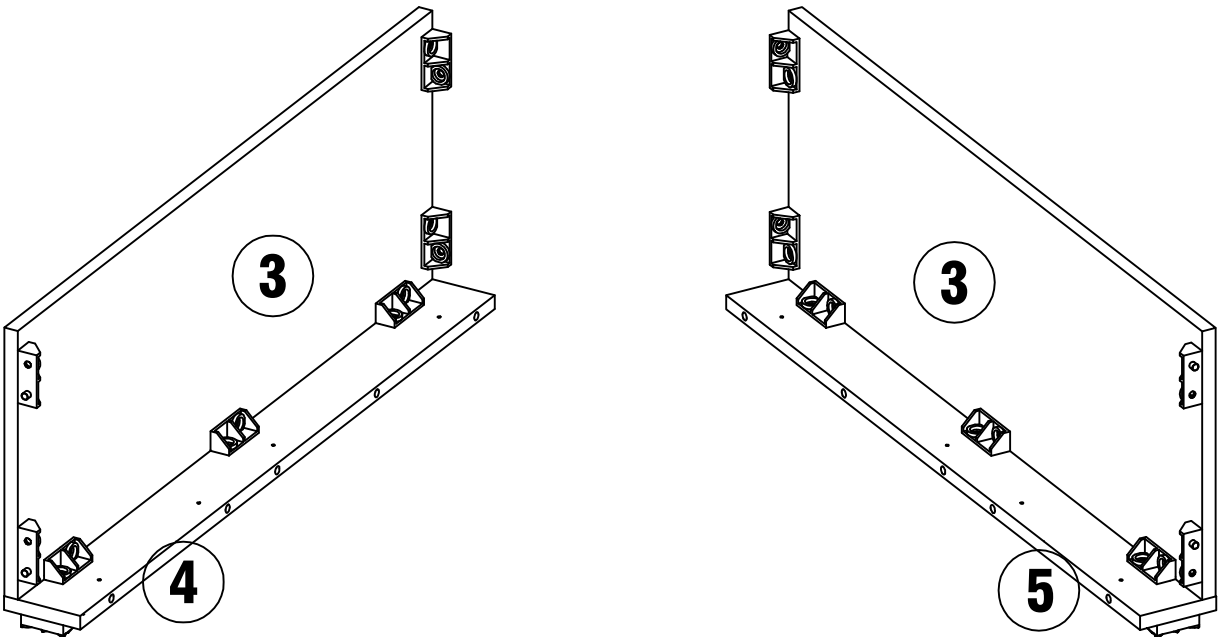
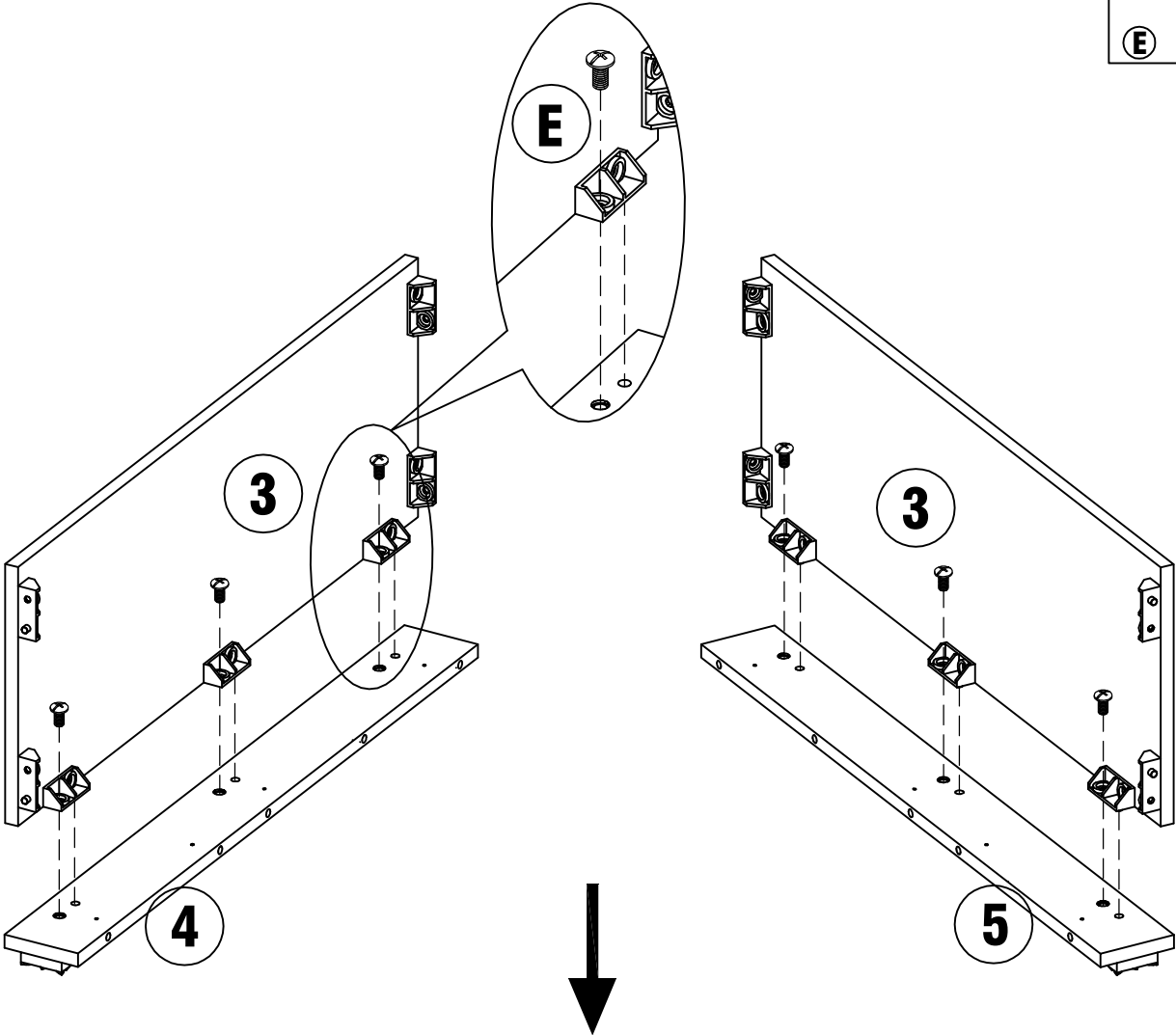
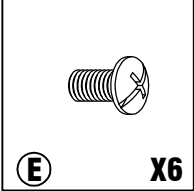
⚠ WARNING

- Unit must be placed on a level surface or leveled with included hardware (when applicable).
- Do not sit or stand on or allow children to climb, sit or stand on the assembled product.
- For safety reasons, it is imperative that this unit be mounted to the wall.
- Do not use without installing the tip restraint.
- Unit can tip over causing severe injury or death.
- Do not exceed the recommended weight limits.
- Evenly distribute the weight on each level and always keep the heavier loads on the bottom.
- Before cutting, drilling or hammering into any wall or floor surface, verify the location of electrical, plumbing and gas lines. Cutting may cause serious injury.


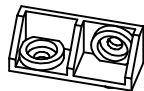

STEP 1

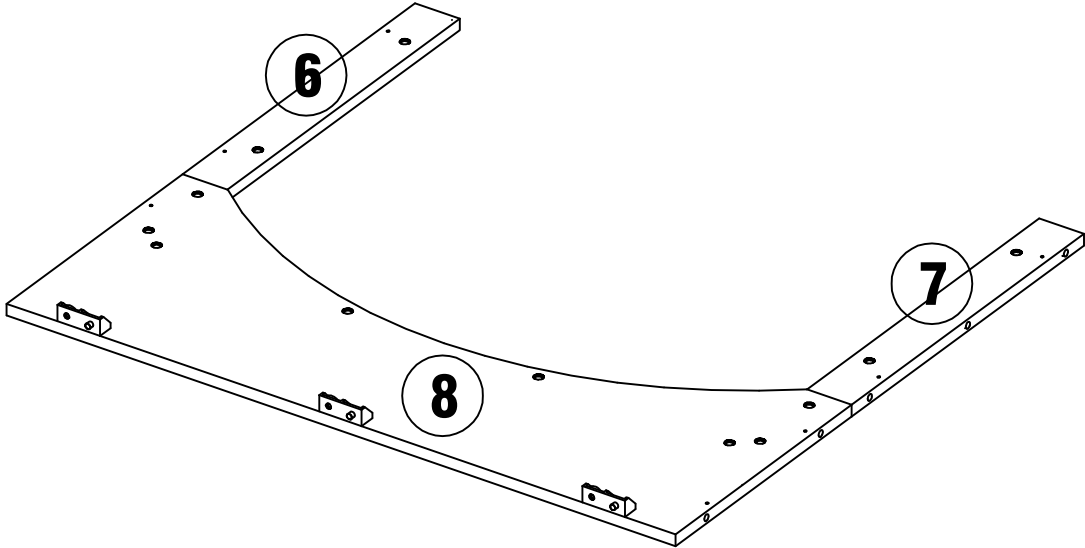
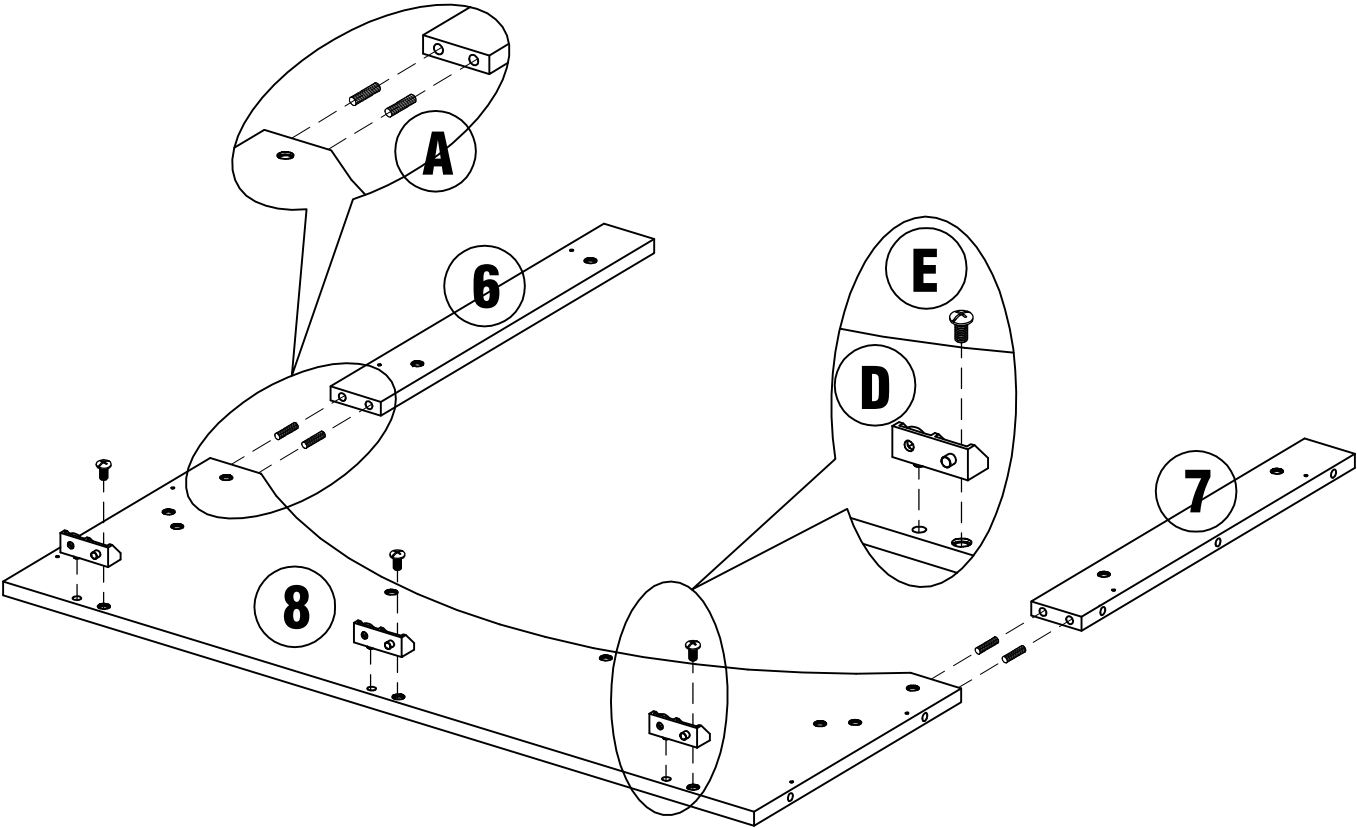


STEP 2

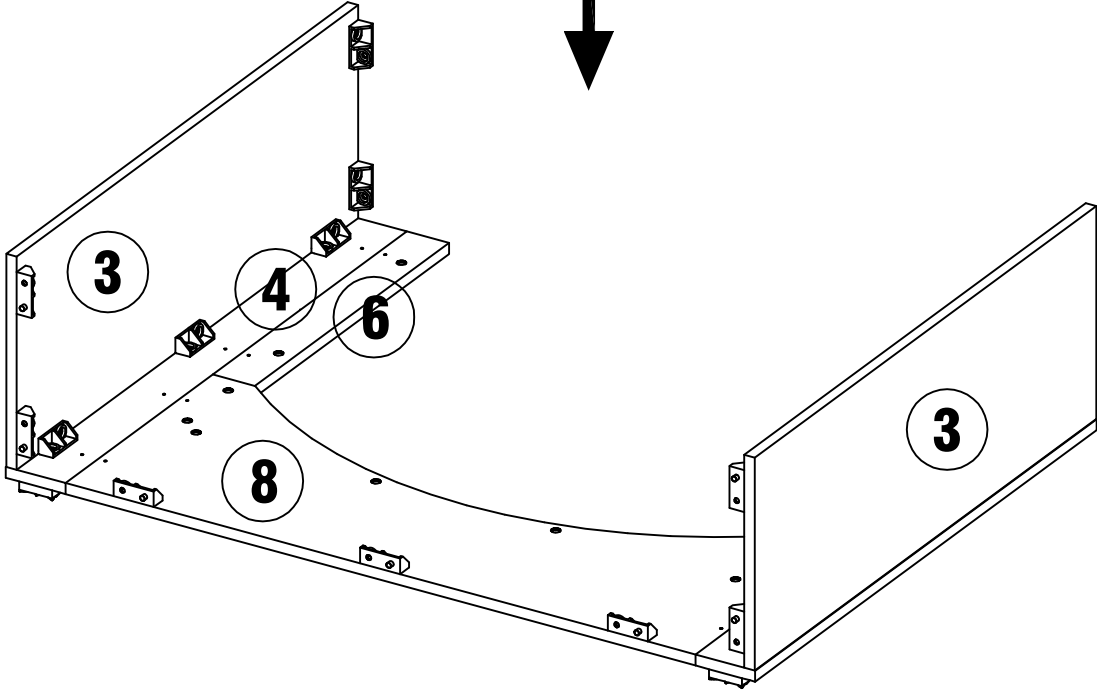
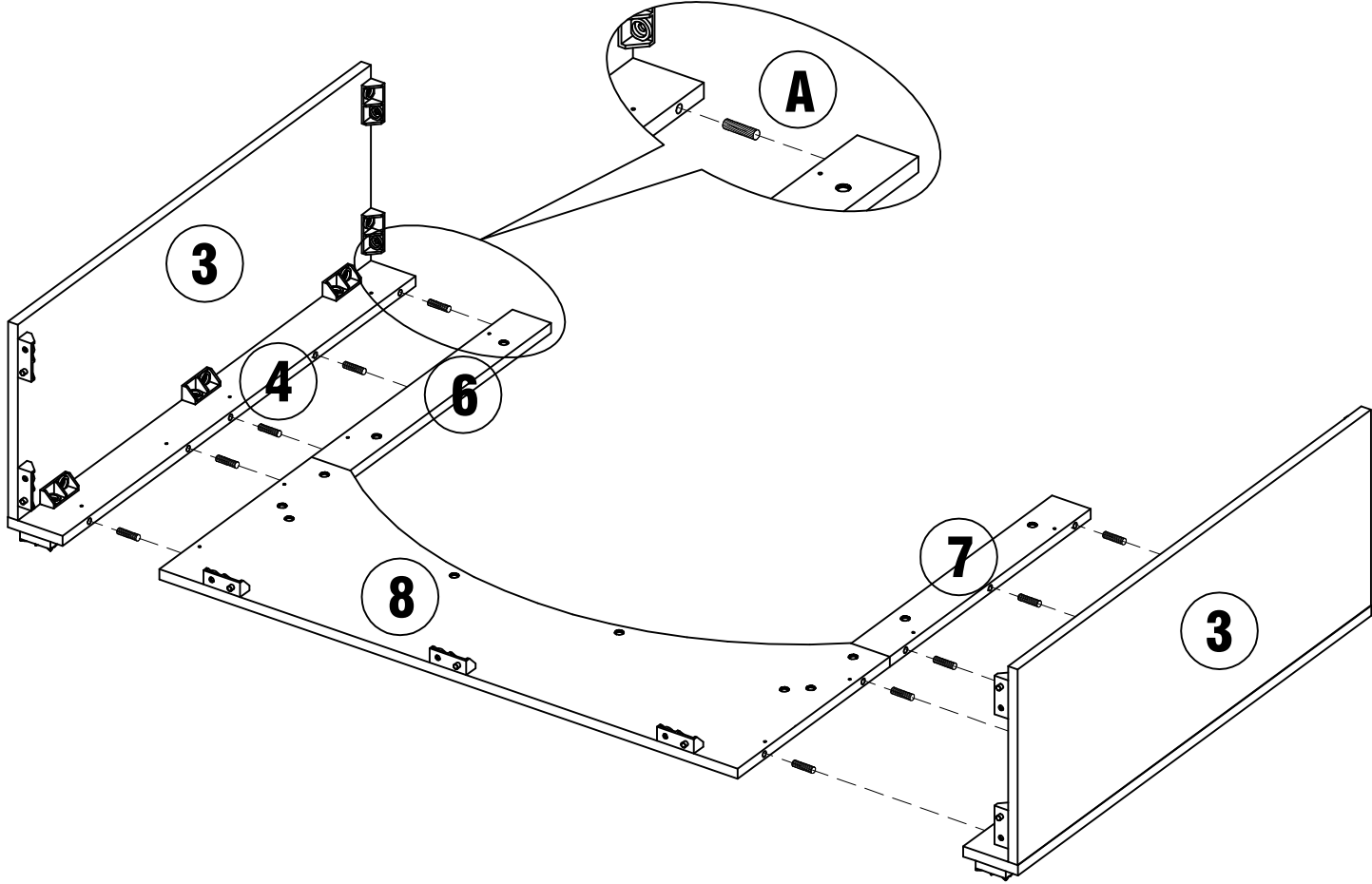
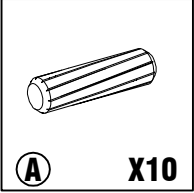


STEP 3

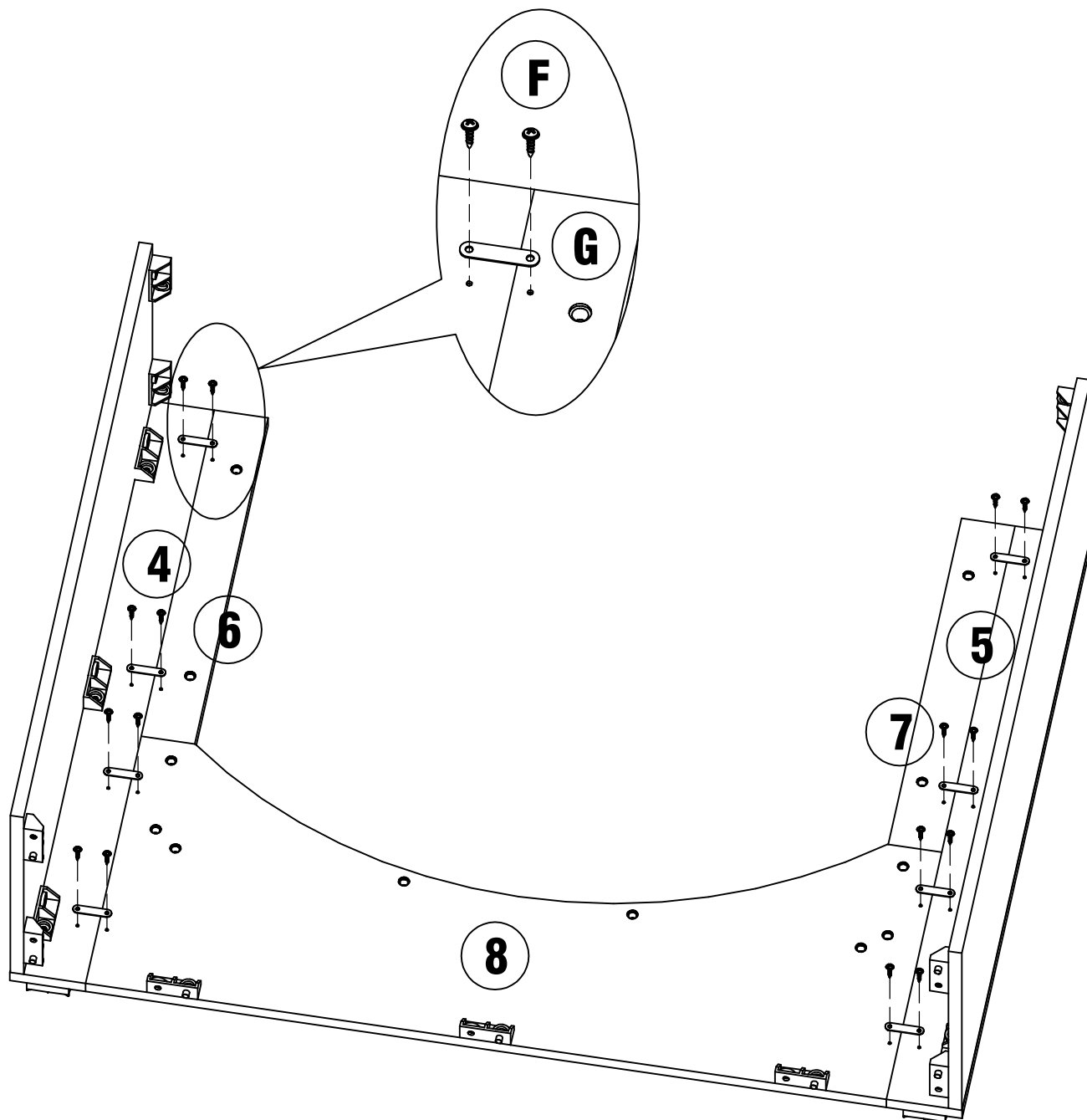
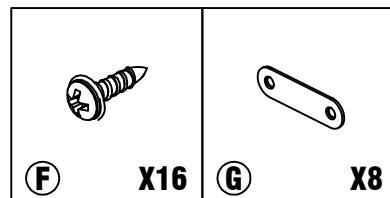
		
A	D	E
X4	X3	X3



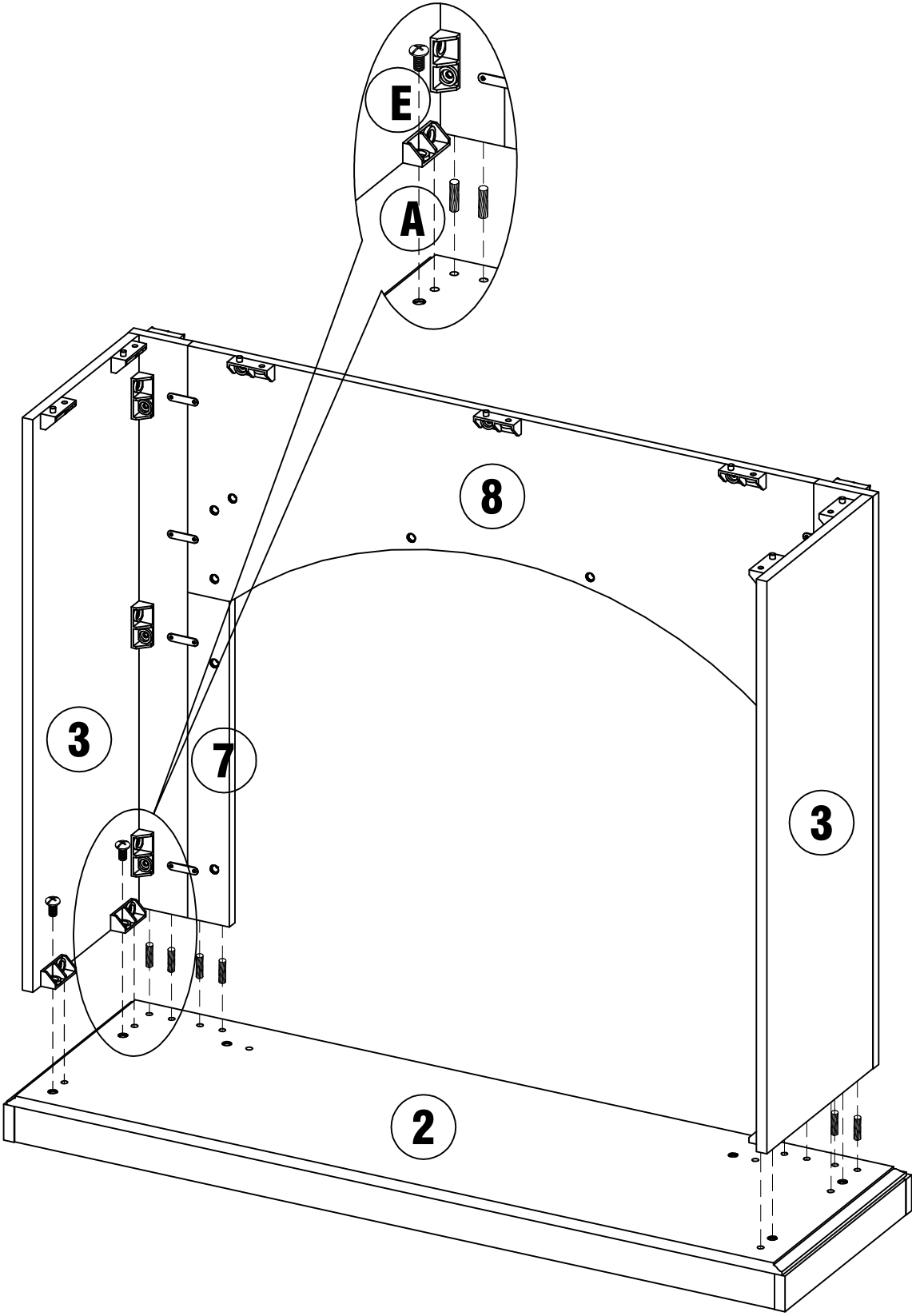
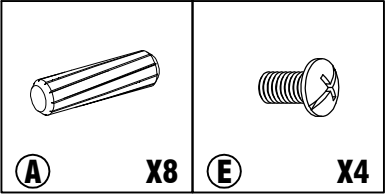
STEP 4



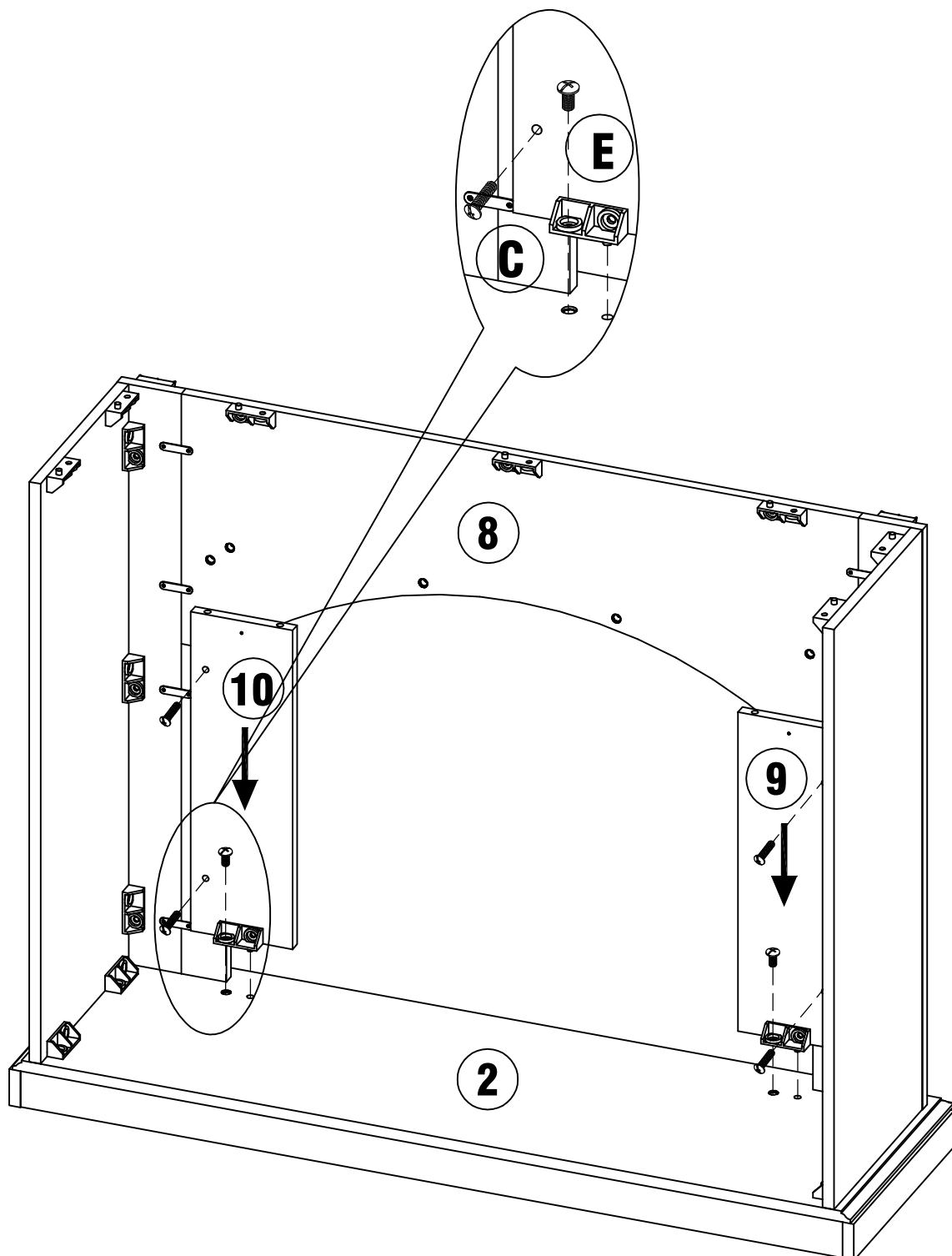
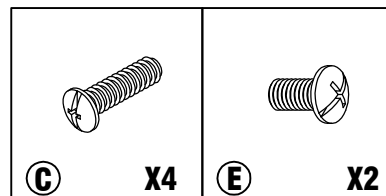
STEP 5



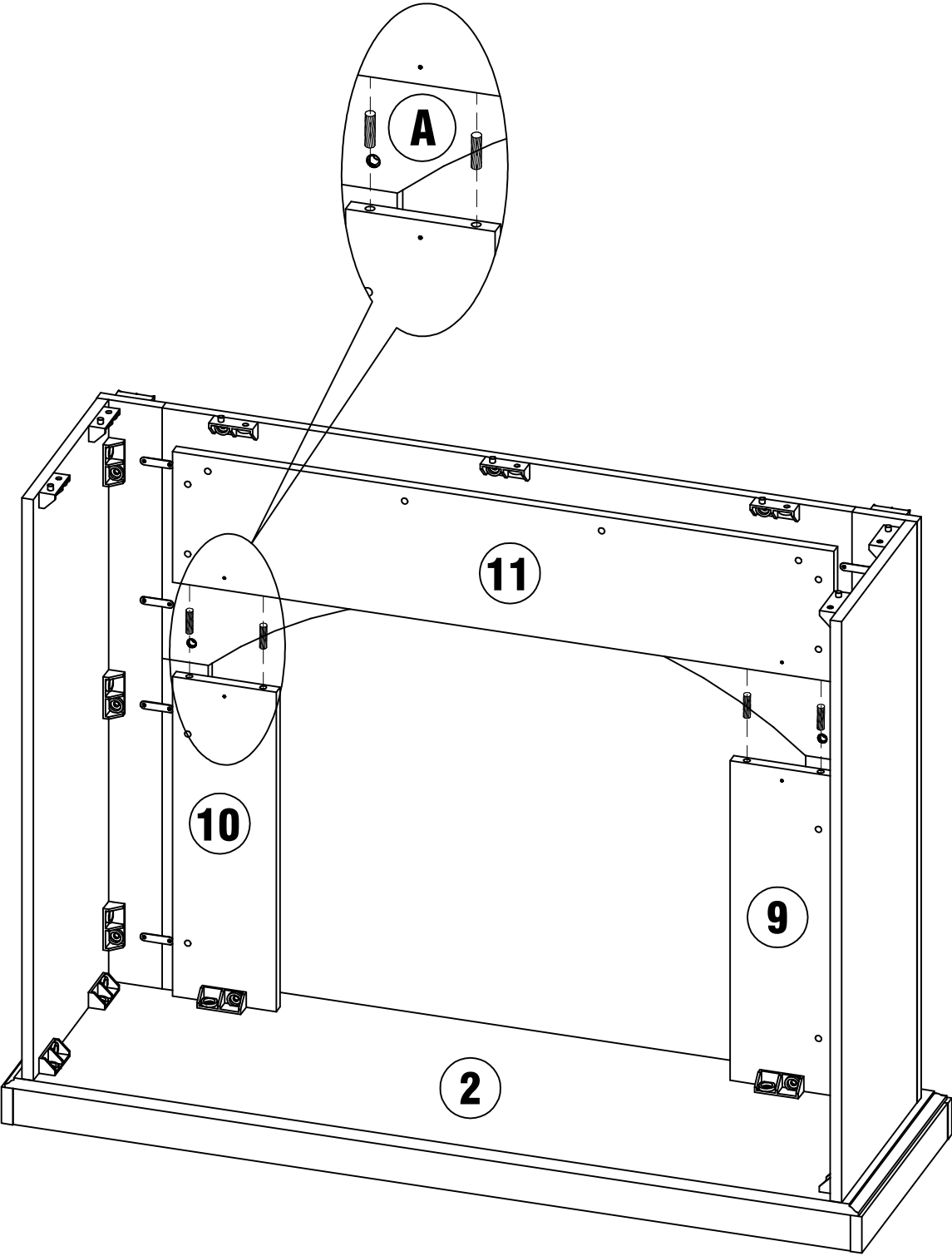
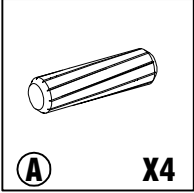
STEP 6



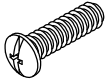


STEP 7

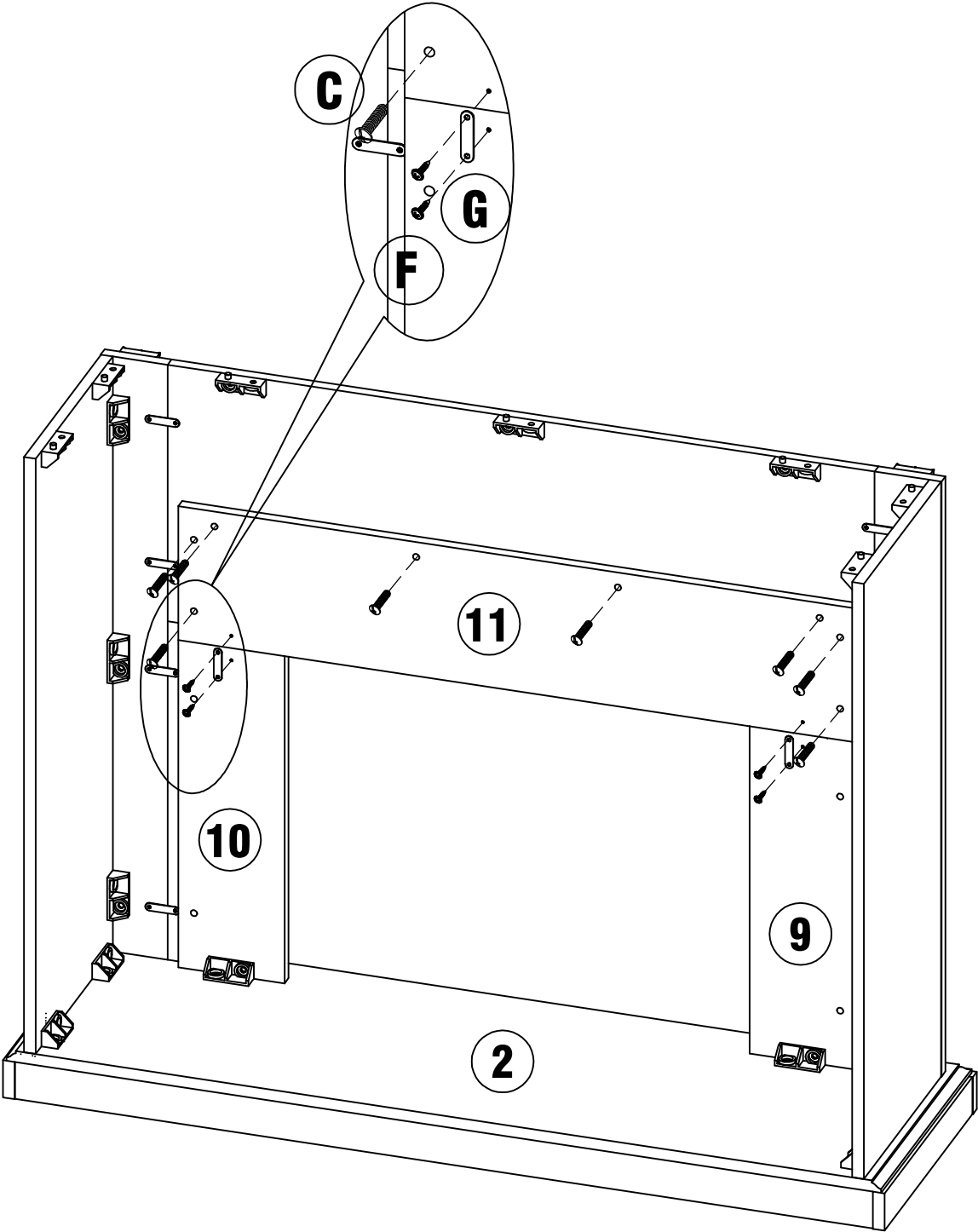


STEP 8

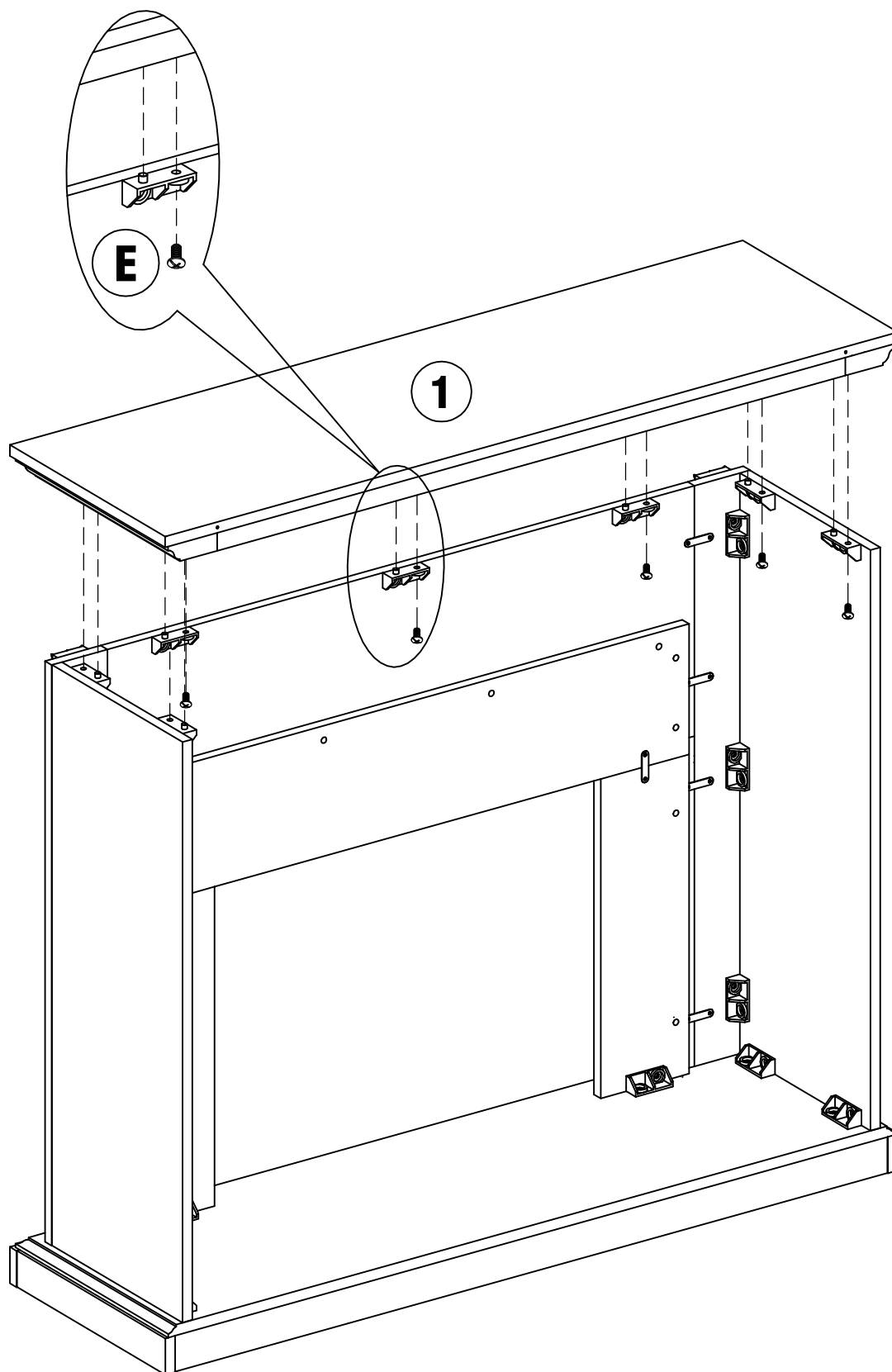
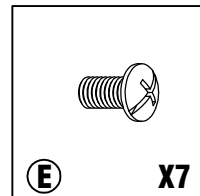


STEP 9

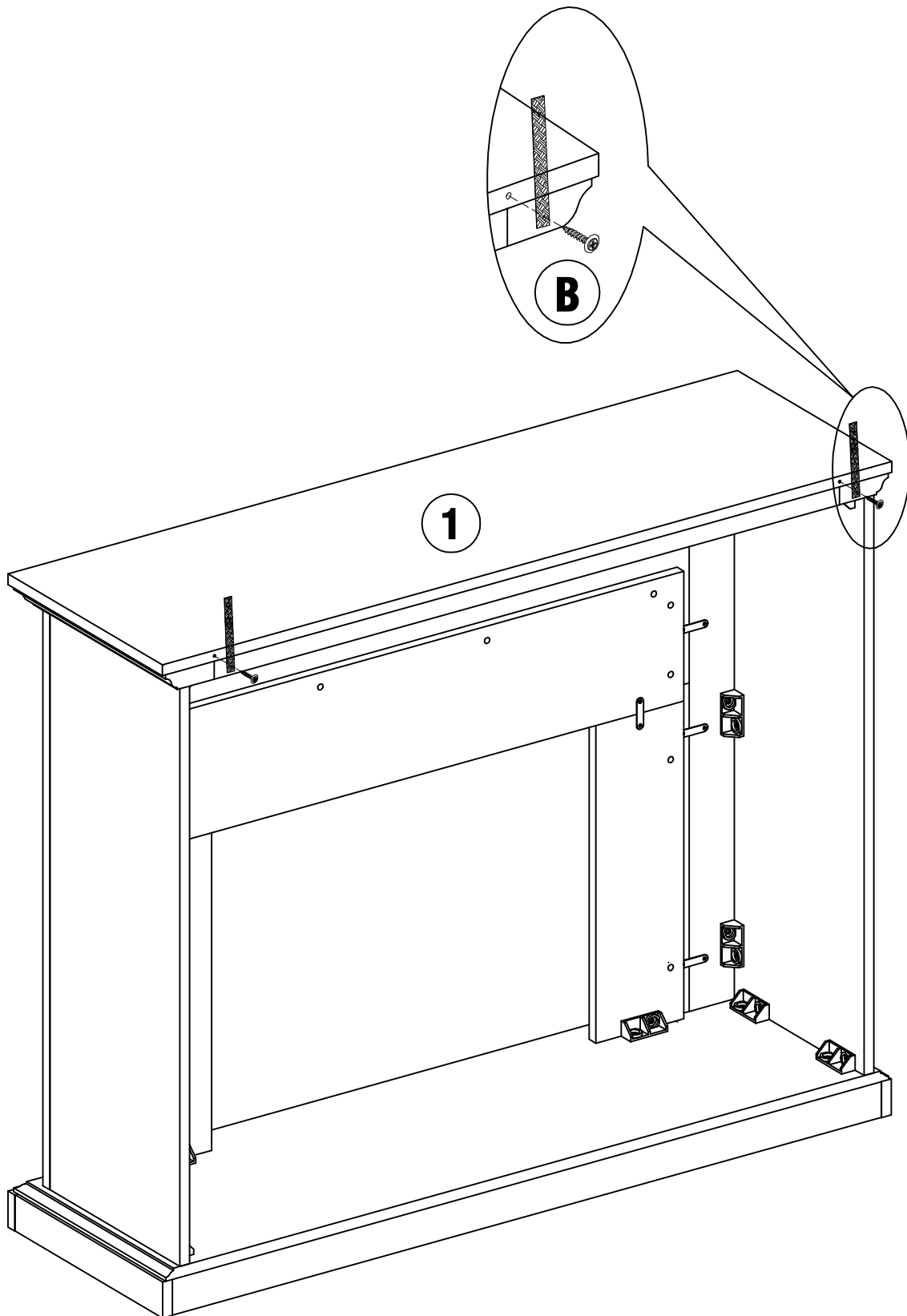
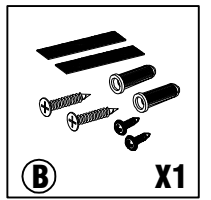
		
C	F	G
X8	X4	X2



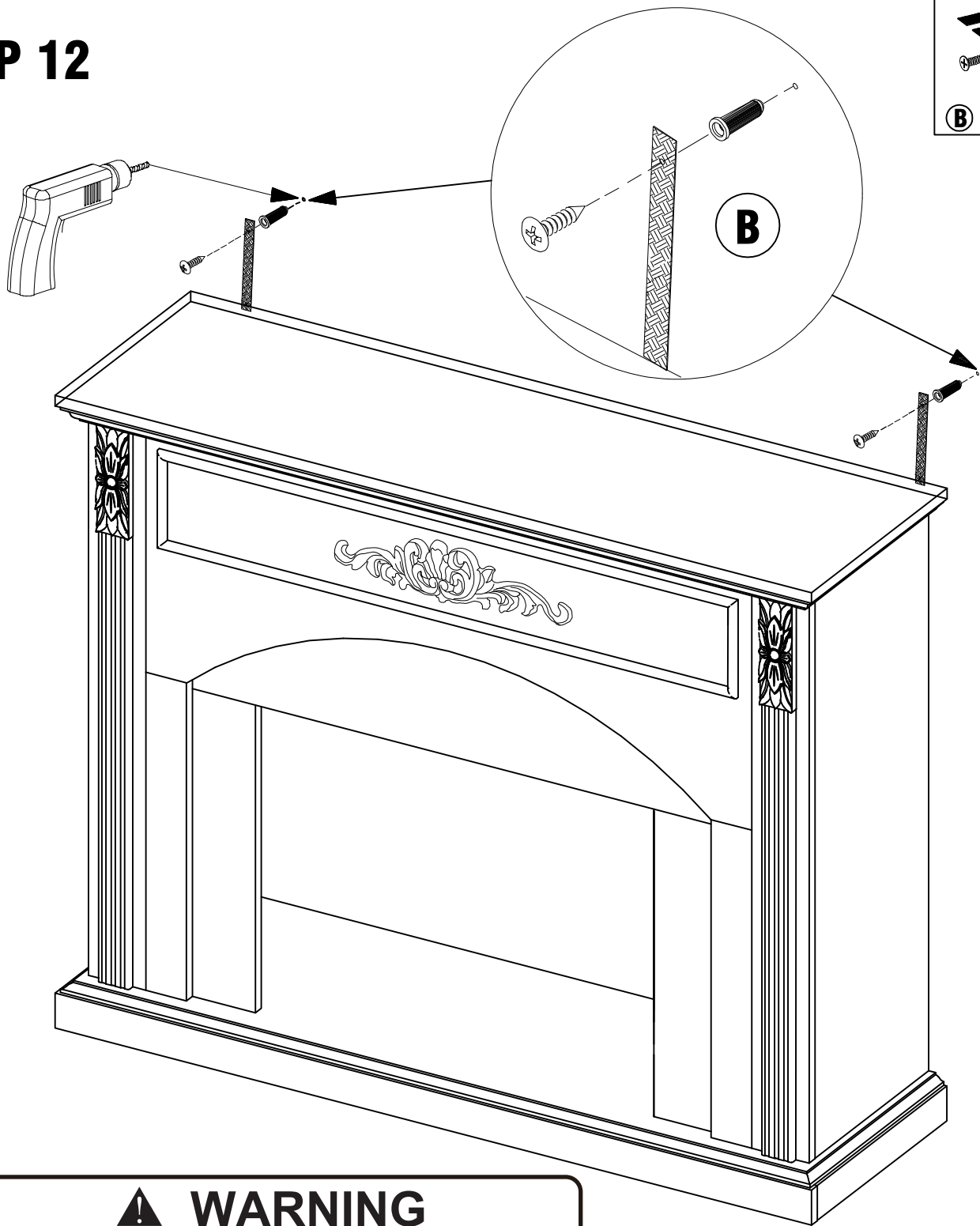
STEP 10



STEP 11



STEP 12



⚠ WARNING



Children have died from furniture tipover. To reduce the risk of furniture tipover:

- ALWAYS install anti-tip device provided.
- NEVER put a TV on this product.
- NEVER allow children to stand, climb or hang on any drawers, doors, or shelves.
- NEVER open more than one drawer at a time.
- Place heaviest items in the lowest drawers.



*this is a permanent label.
Do not remove!*