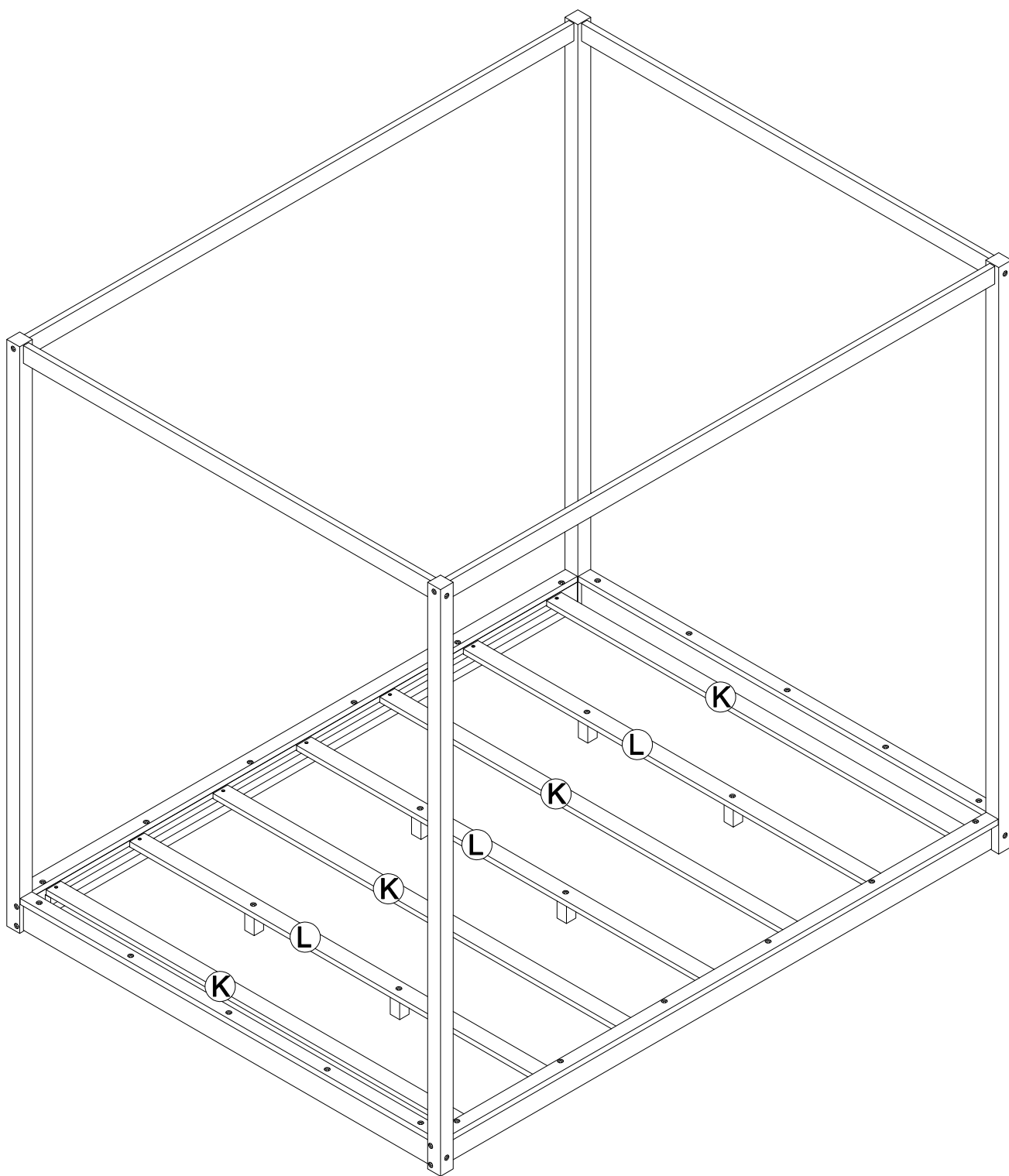


# ASSEMBLY INSTRUCTION



## **SAFETY WARNINGS AND GENERAL NOTES:**

**Do not use substitute parts. Contact the manufacturer or dealer for replacement**

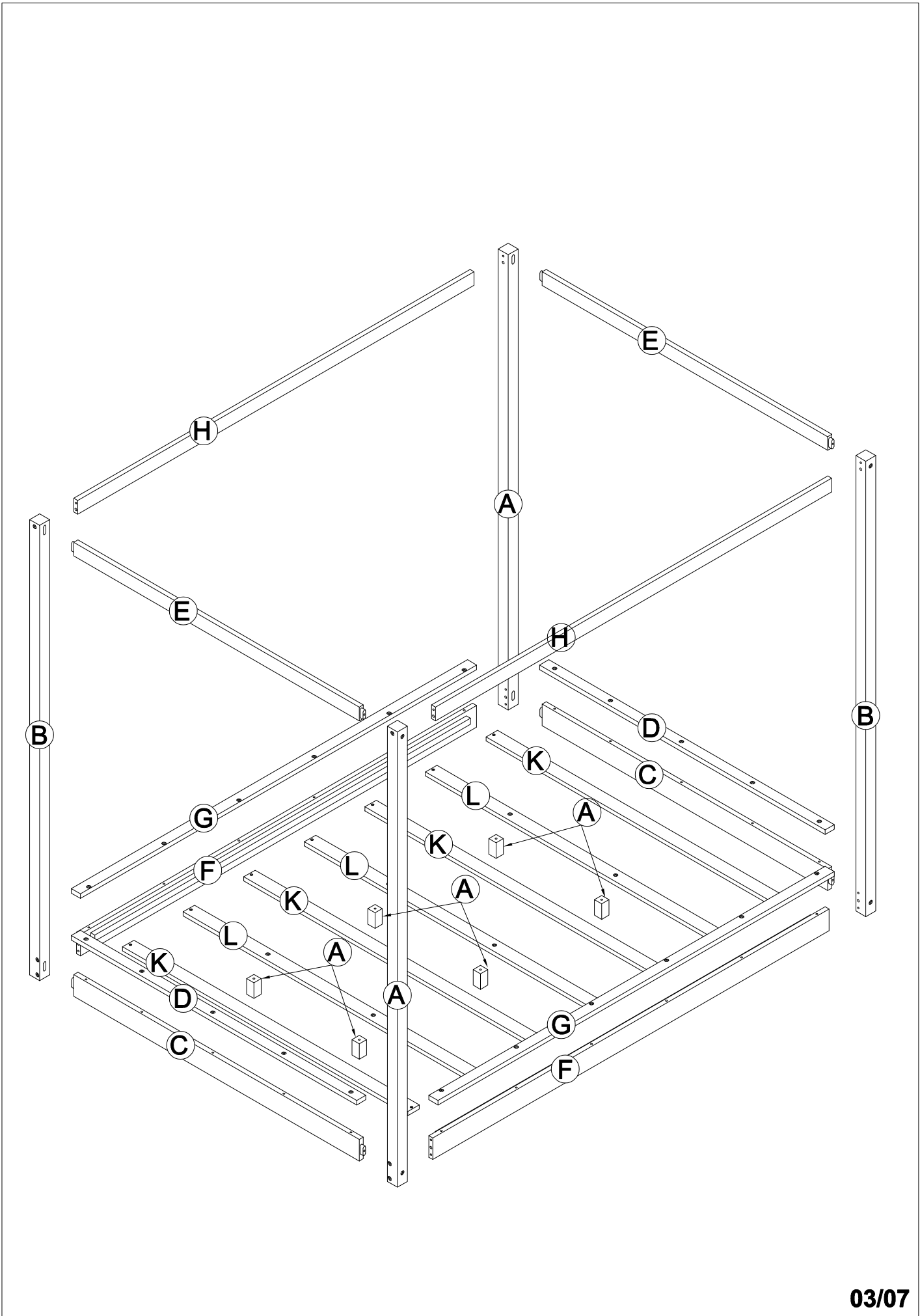
**Keep these instructions for future reference.**

**We recommend assembling your bed on the shipping carton to protect your floor**

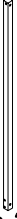

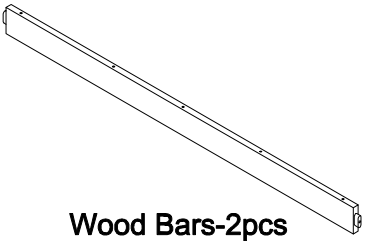
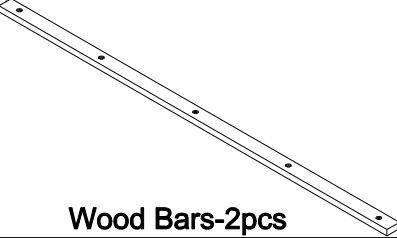
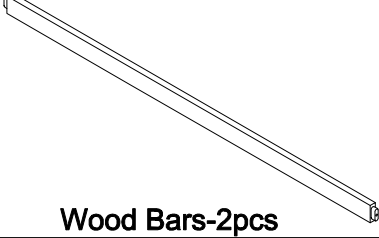
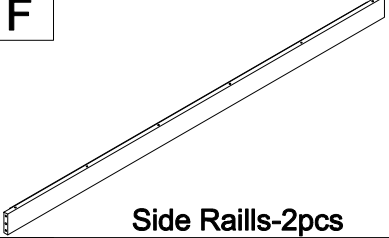
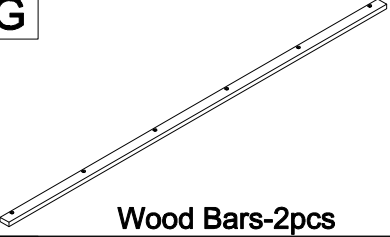
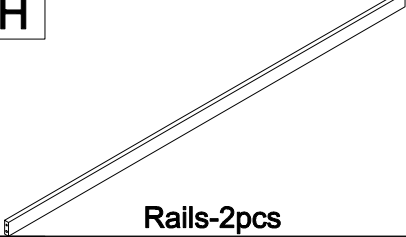
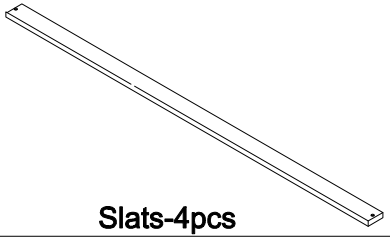
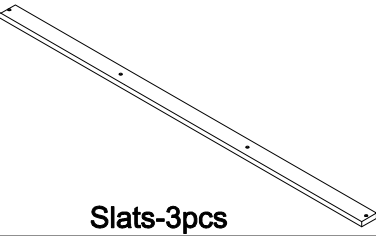
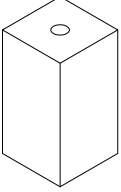
**Be certain all staples are out of the box before beginning assembly on the shipping**

### **5.Replacement Parts:**



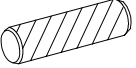
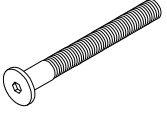
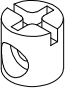


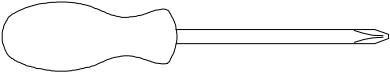
**Replacement Parts, including additional guardrails, may be obtained from any of our dealers**



# Part List & Hardware List

<p><b>A</b></p>  <p>Legs-2pcs</p>	<p><b>B</b></p>  <p>Legs-2pcs</p>	<p><b>C</b></p>  <p>Wood Bars-2pcs</p>
<p><b>D</b></p>  <p>Wood Bars-2pcs</p>	<p><b>E</b></p>  <p>Wood Bars-2pcs</p>	<p><b>F</b></p>  <p>Side Rails-2pcs</p>
<p><b>G</b></p>  <p>Wood Bars-2pcs</p>	<p><b>H</b></p>  <p>Rails-2pcs</p>	<p><b>K</b></p>  <p>Slats-4pcs</p>
<p><b>L</b></p>  <p>Slats-3pcs</p>	<p><b>M</b></p>  <p>Support Slats-6pcs</p>	

## Hardware List

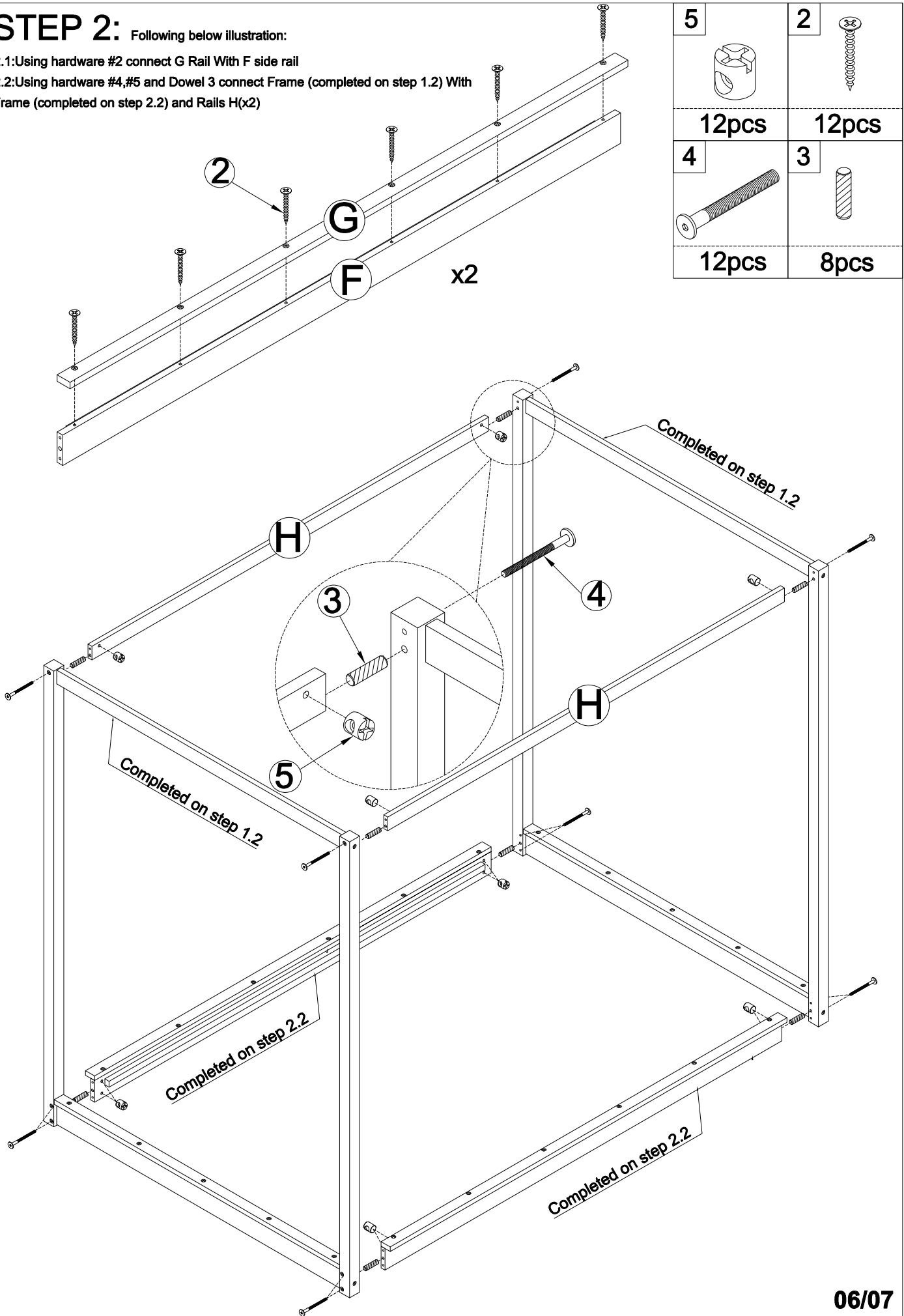
<p><b>1</b></p>  <p>Screws 1/4" x70 8pcs</p>	<p><b>2</b></p>  <p>M4 x 30 mm Wood Screws 36pcs</p>	<p><b>3</b></p>  <p>Ø10 x 40 mm Wood dowel 8pcs</p>
<p><b>4</b></p>  <p>Ø1/4" x 90 mm Hex-Head bolts 12pcs</p>	<p><b>5</b></p>  <p>Ø1/4" x 13 mm Horizontal-Hole bolts 12pcs</p>	<p><b>6</b></p>  <p>Ø1/4" x 30 mm Hex-Head bolts 6pcs</p>
<p><b>7</b></p>  <p>Allen Key 1pc</p>	<p><b>Assembly Tools Required (Not Included)</b></p> 	



# STEP 2: Following below illustration:

2.1: Using hardware #2 connect G Rail With F side rail

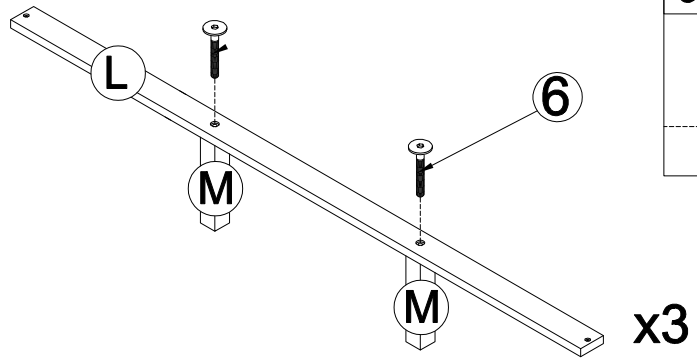
2.2: Using hardware #4, #5 and Dowel 3 connect Frame (completed on step 1.2) With Frame (completed on step 2.2) and Rails H(x2)




### STEP 3:

Following below illustration:

-Using hardware #6 connect Slat L With M Support Slat

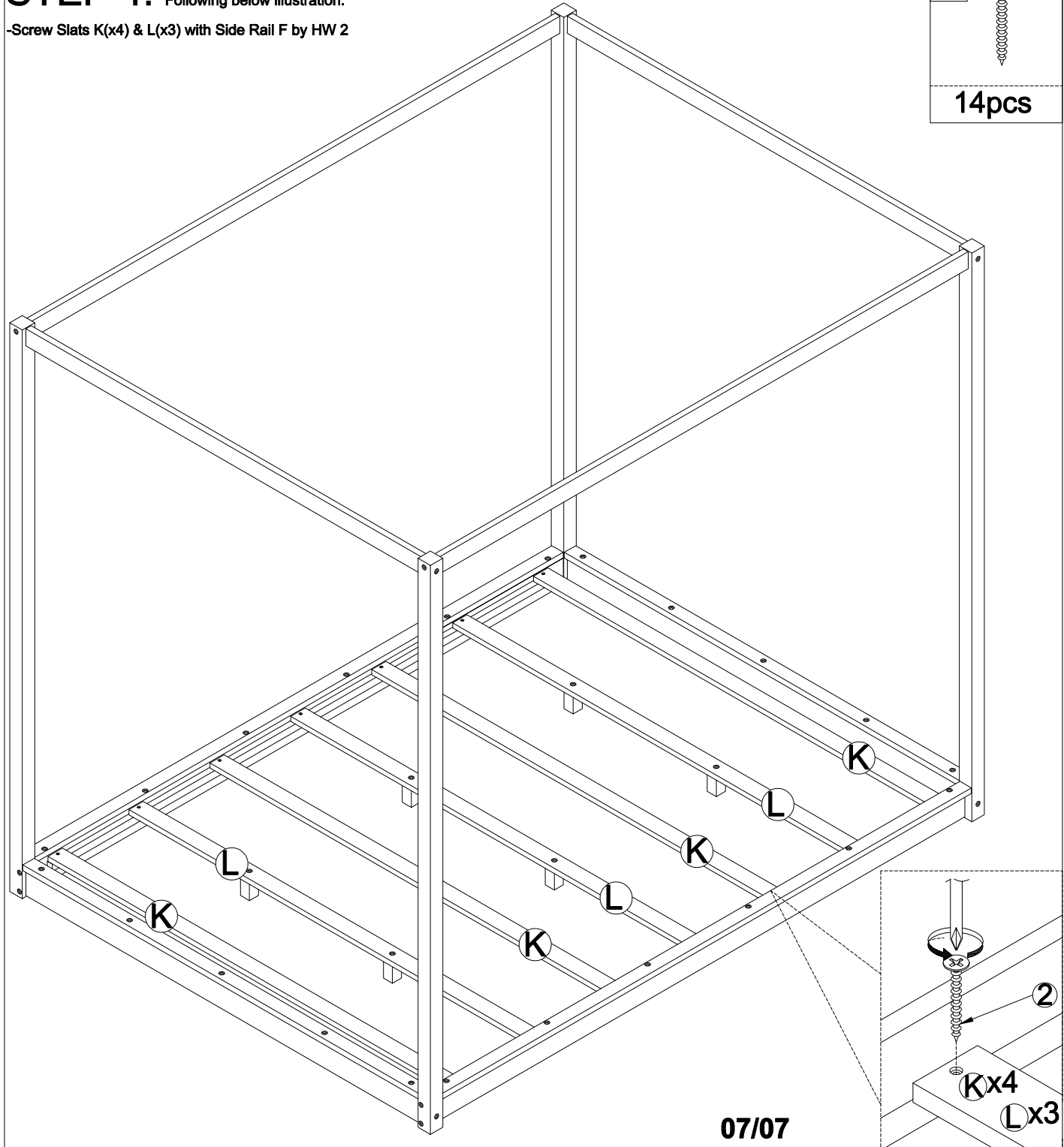


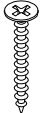
6	
6pcs	

### STEP 4:

Following below illustration:

-Screw Slats K(x4) & L(x3) with Side Rail F by HW 2



2	
14pcs	

07/07