

Pair of White Layered Easy Fit Light Shades



LIGHT SOURCE DATA

- 2 x 60W Max B22 BC or E27 ES (required)
- Lamp direction - Indirect
- Lamp shape - Standard
- Dimmable
- Energy range: A++, A+, A, B, C, D, E

DIMENSION DATA

- Height 190mm
- Diameter 300mm

- Weight .71kg

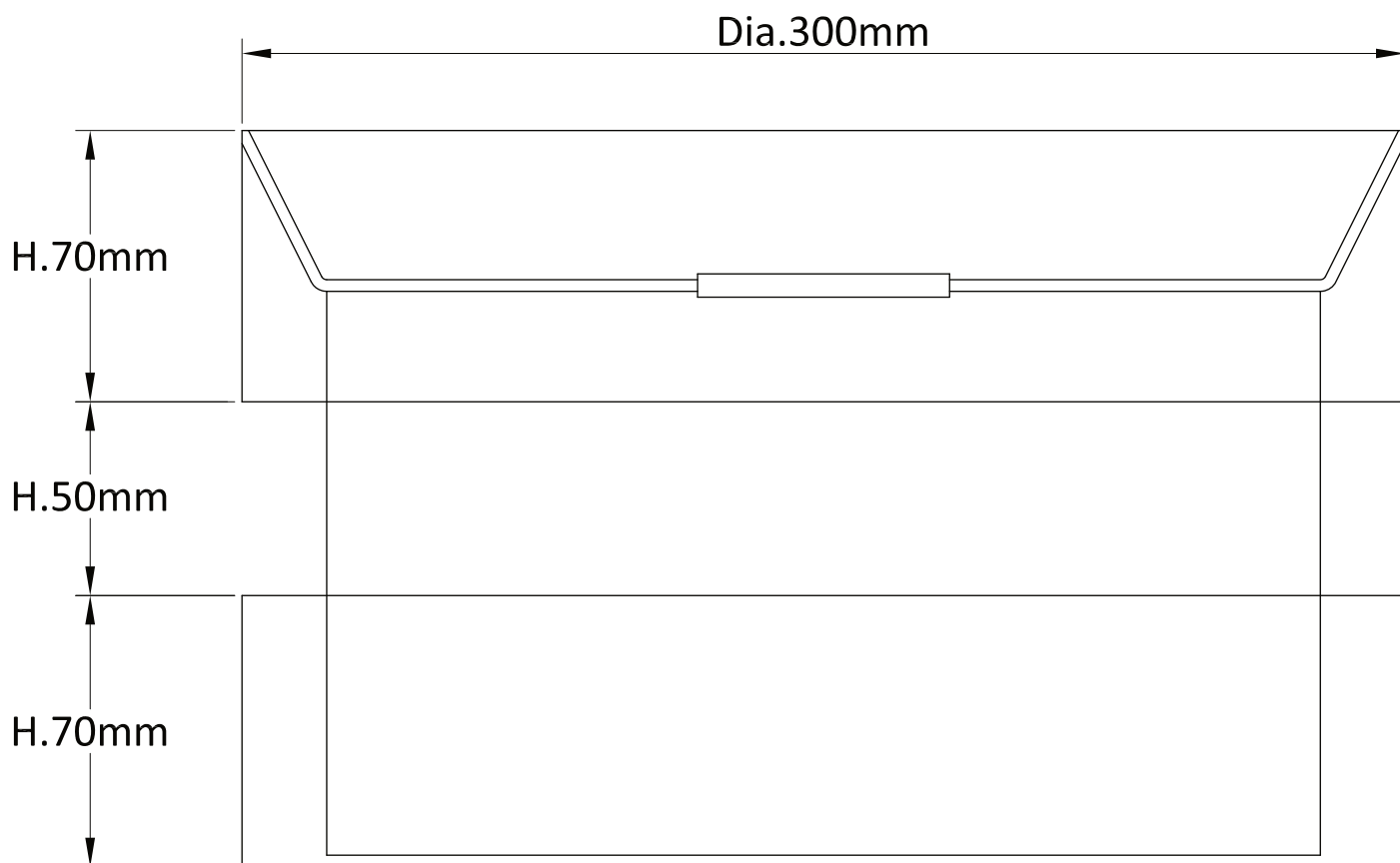
SPECIFICATION

- Manufacturer warranty for 2 years from date of purchase
- White cotton
- IP20
- 240V
- Assembly required? No
- CE Marking, Energy Efficient, Energy Saving

CERTIFICATION



CONTACT



CERTIFICATION



CONTACT
