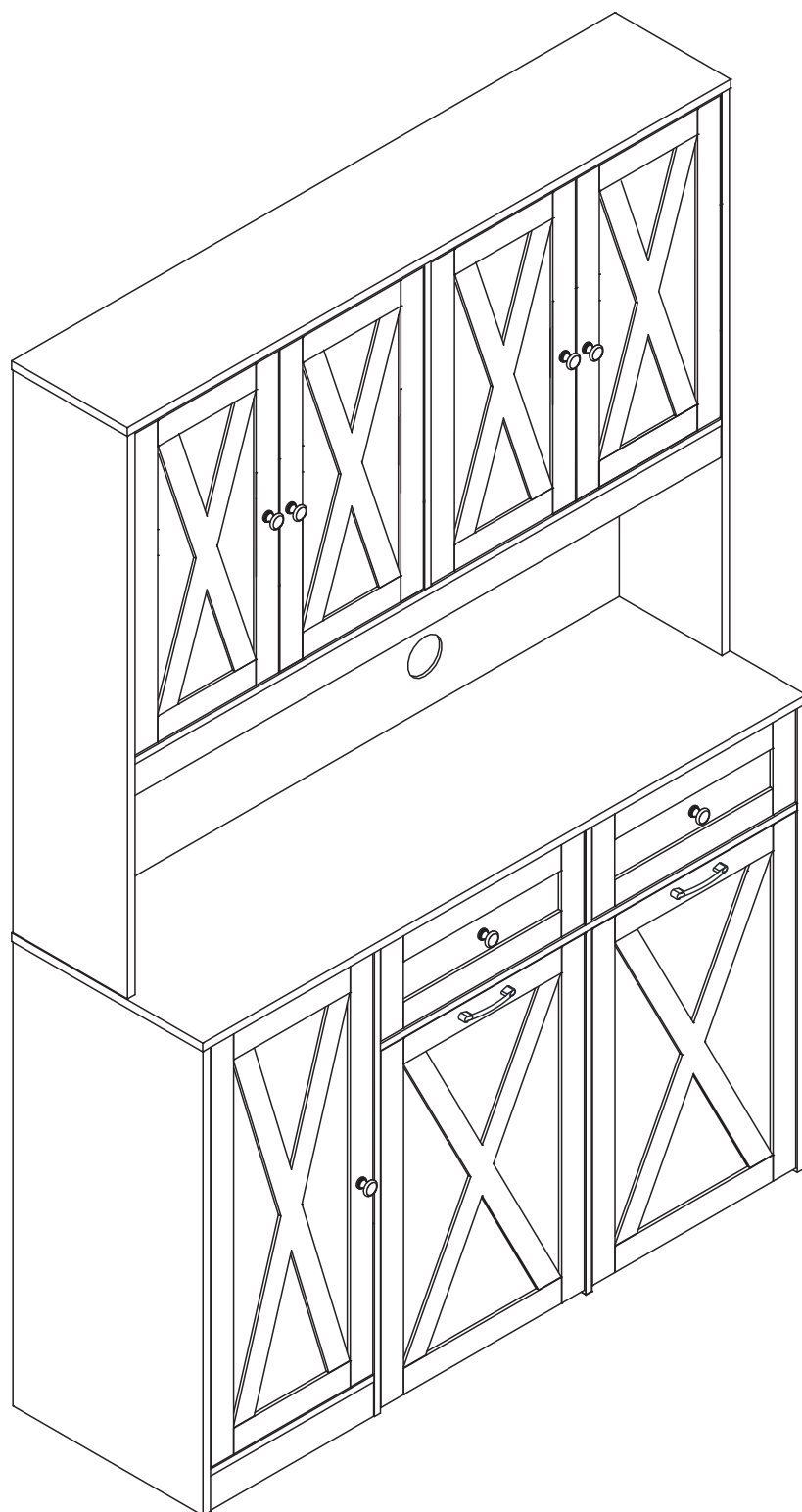


Instruction Manual



Cabinet

EN

Thank you for purchase on our products. Please contact us if you have difficulty with assembly or need replacement parts. Our customer service is here to assist you. Please attach your User Name or Order ID so that we can assist you better.

WARNING

Serious or fatal injury may occur from unexpected assembly or use.

1. During the assembly process, keep all parts away from babies or children.
2. Always securely fix this product to the wall. Make sure the wall area to be drilled is free from hidden electrical wires, water and gas pipes.
3. Use of tip-over restraints may only reduce, but not eliminate the risk of tip-over.
4. Unless specially designed to accommodate, do not set heavy objects on top of this product.
5. Place the heaviest items on the lowest shelf.
6. Never allow children to climb or bang on drawers, doors or shelves.

DE

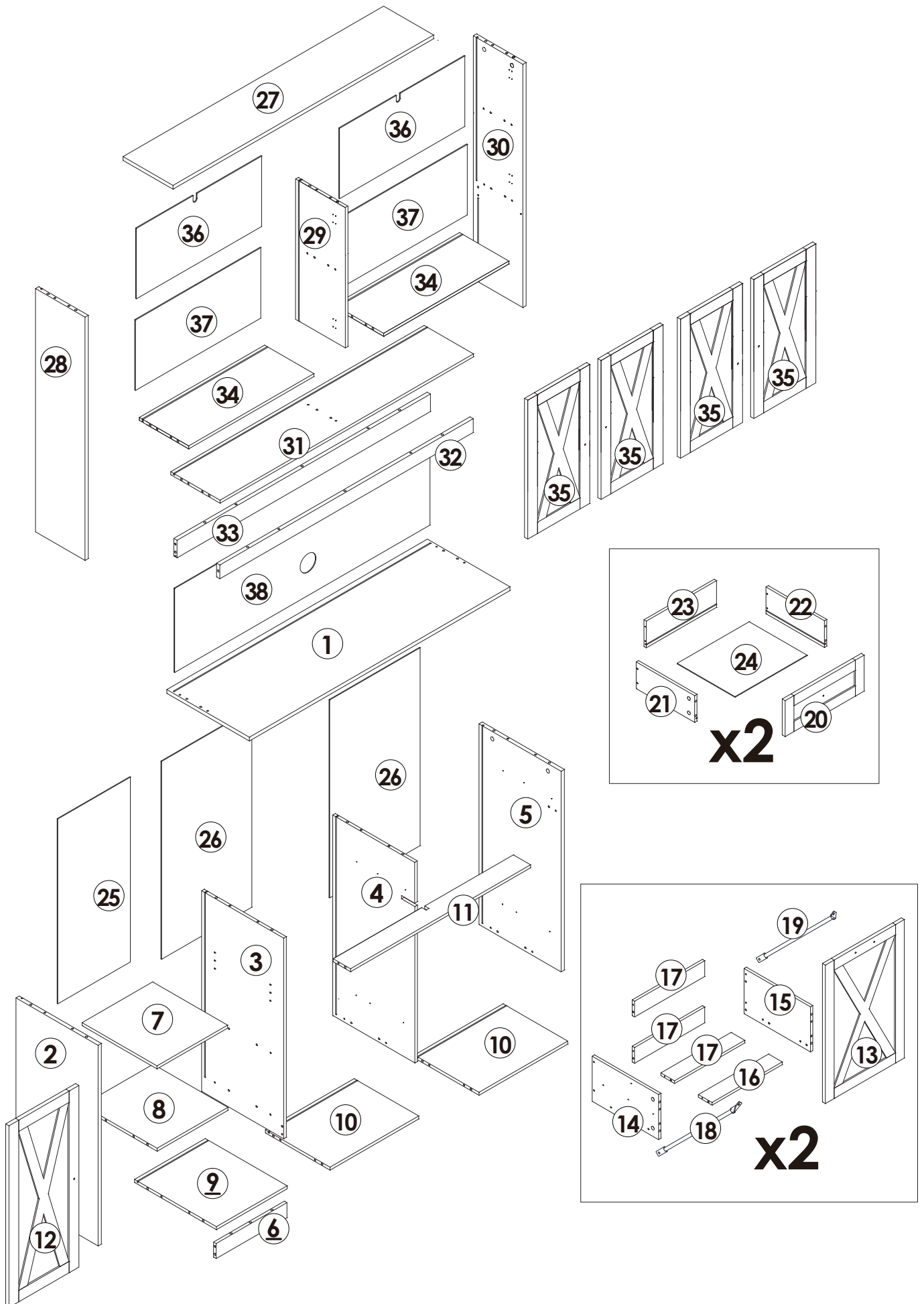
Vielen Dank für Ihren Kauf von uns Produkten. Bitte kontaktieren Sie uns, wenn Sie Probleme mit Montage haben oder Ersatzteile benötigen. Wir Kundenservice ist für Sie da. Bitte geben Sie Ihren Benutzernamen oder Ihre Bestellnummer an, damit wir Sie besser unterstützen können.

WARNUNG

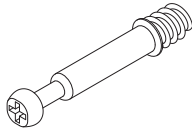
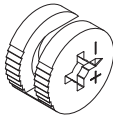
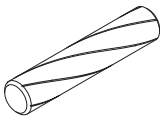
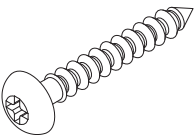
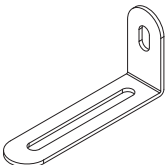
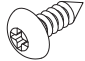
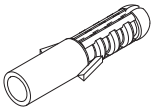
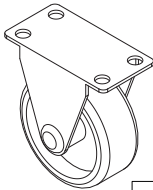
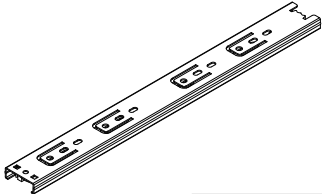
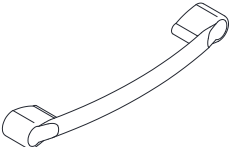
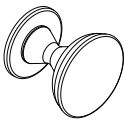
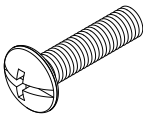
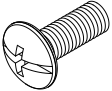
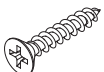
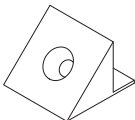
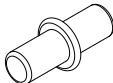
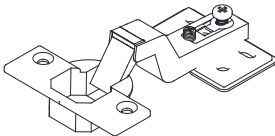

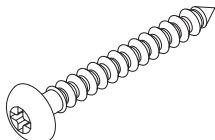

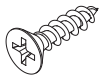
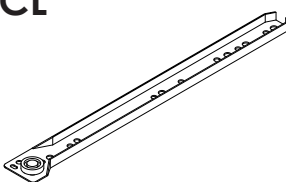
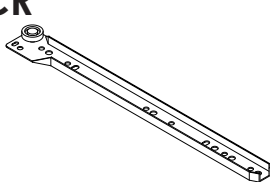
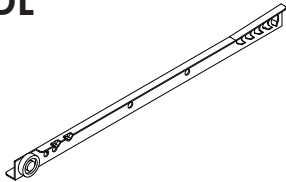
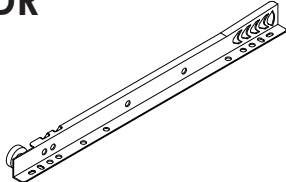
Bei unerwarteter Montage oder Verwendung können schwere oder tödliche Verletzung auftreten.

1. Legen Sie in den Montageprozess alle Teile weg von Babys oder Kindern.
2. Stellen Sie sicher, dass der gebohrte Wandbereich frei von verborgenen Stromkabeln, Wasser- und Gasleitungen ist, wenn Sie dieses Produkt an der Wand befestigen.
3. Die Verwendung von Kippsicherungen kann die Gefahr eines Kippens nur verringern, jedoch nicht beseitigen.
4. Setzen Sie bitte keine schweren Gegenstände auf dieses Produkt, es sei denn, dass das Produkt speziell für die Unterbringung konzipiert wird.
5. Legen Sie bitte die schwersten Gegenstände auf das unterste Regal.
6. Erlauben Sie nie Kindern, auf Schubladen, Türen oder Regale zu klettern oder zu knallen.

Parts List(EN) / Teile Liste(DE)

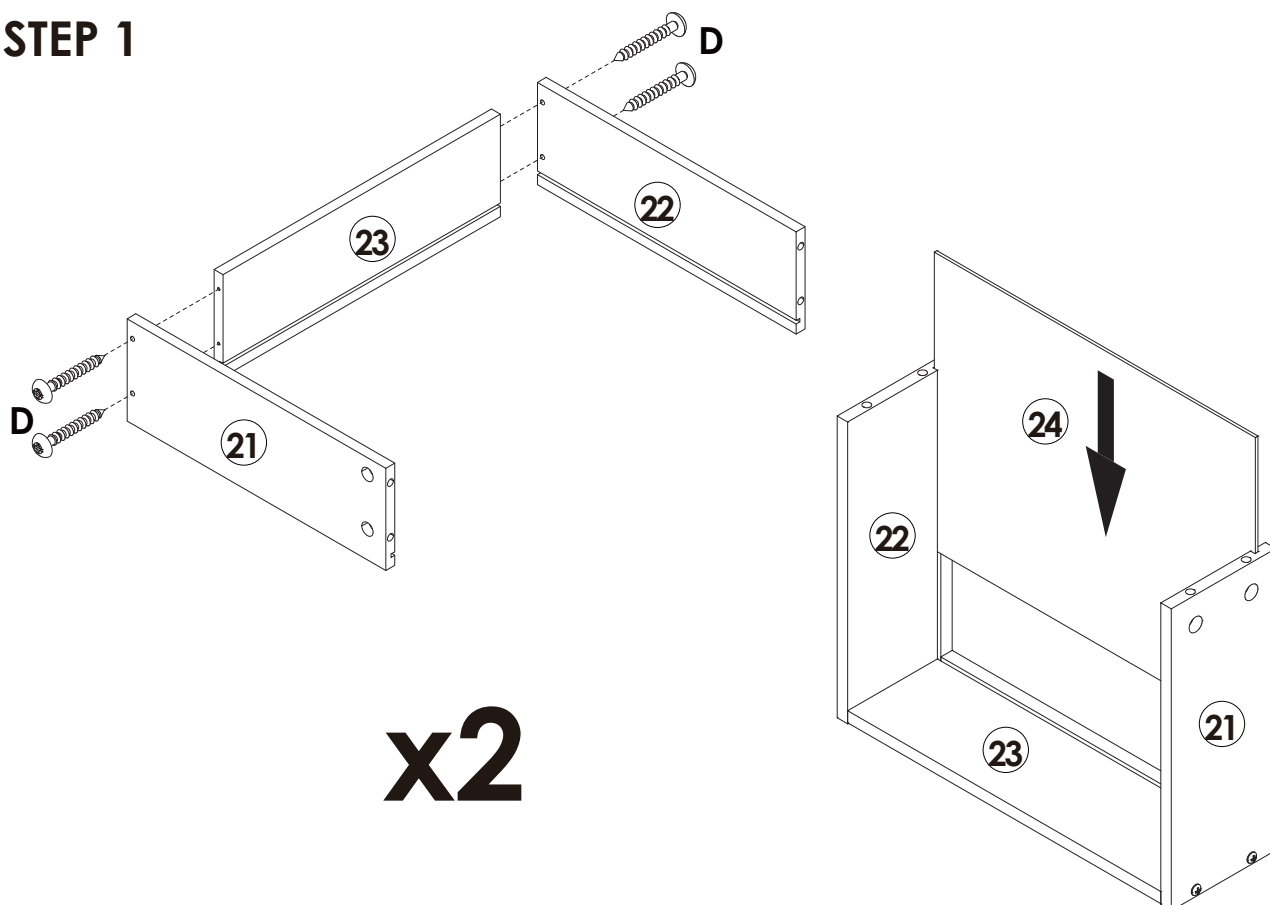


Parts List(EN) / Teile Liste(DE)

<p>A</p>  <p>M6x35mm 66+2PCS</p>	<p>B</p>  <p>Ø15x9mm 66+2PCS</p>	<p>C</p>  <p>Ø6x30mm 80+2PCS</p>	
<p>D</p>  <p>M4x35mm 32+2PCS</p>	<p>E</p>  <p>2PCS</p>	<p>F</p>  <p>M4x12mm 26+2PCS</p>	
<p>G</p>  <p>2PCS</p>	<p>H</p>  <p>4PCS</p>	<p>I</p>  <p>L330mm 4PCS</p>	
<p>J</p>  <p>2PCS</p>	<p>K</p>  <p>7PCS</p>	<p>L</p>  <p>M4x16mm 9+1PCS</p>	<p>M</p>  <p>M4x8mm 2PCS</p>
<p>N</p>  <p>M3x14mm 23+2PCS</p>	<p>O</p>  <p>23+2PCS</p>	<p>P</p>  <p>4PCS</p>	<p>Q</p>  <p>10PCS</p>
<p>R</p>  <p>M3.5x12mm 48+2PCS</p>	<p>S</p>  <p>M4x50mm 3PCS</p>	<p>T</p>  <p>5PCS</p>	<p>U</p>  <p>M3.5x14mm 60+2PCS</p>
<p>CL</p>  <p>L300mm 2PCS</p>	<p>CR</p>  <p>L300mm 2PCS</p>	<p>DL</p>  <p>L300mm 2PCS</p>	<p>DR</p>  <p>L300mm 2PCS</p>

Assembly Steps(EN) / Montageschritte(DE)

STEP 1

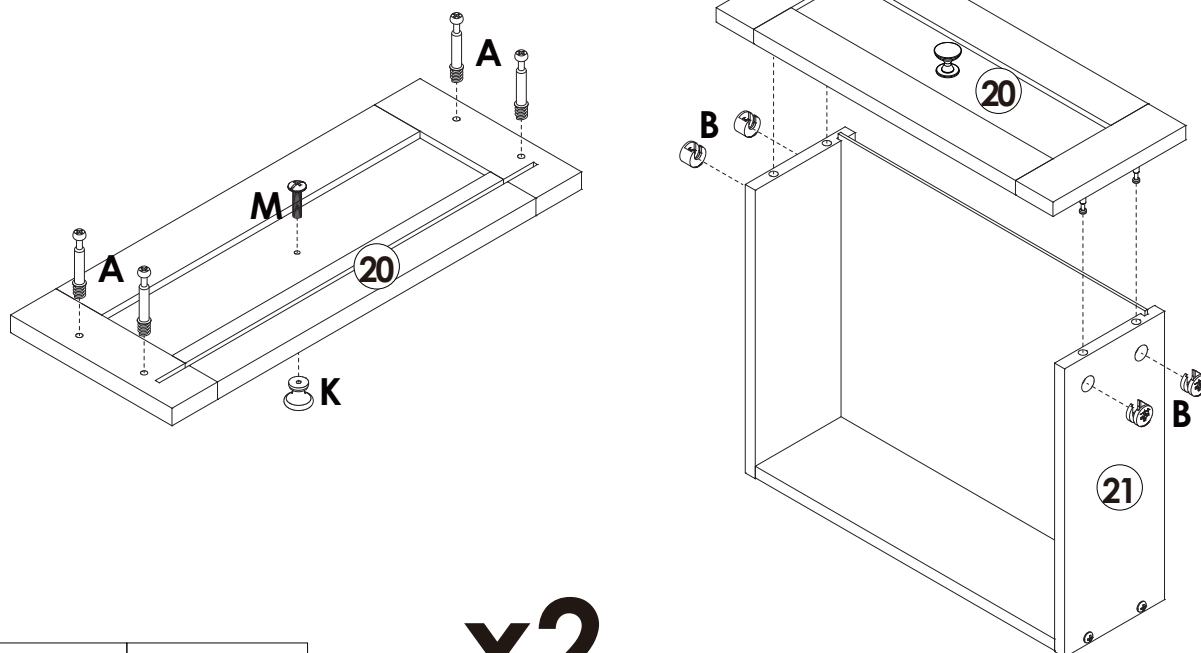


x2

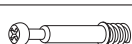


D x 8PCS

STEP 2



x2



A x 8PCS



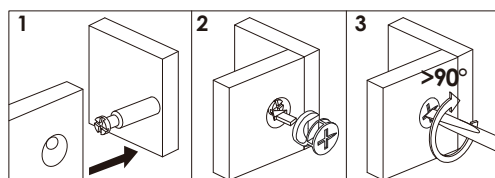
B x 8PCS



M x 2PCS

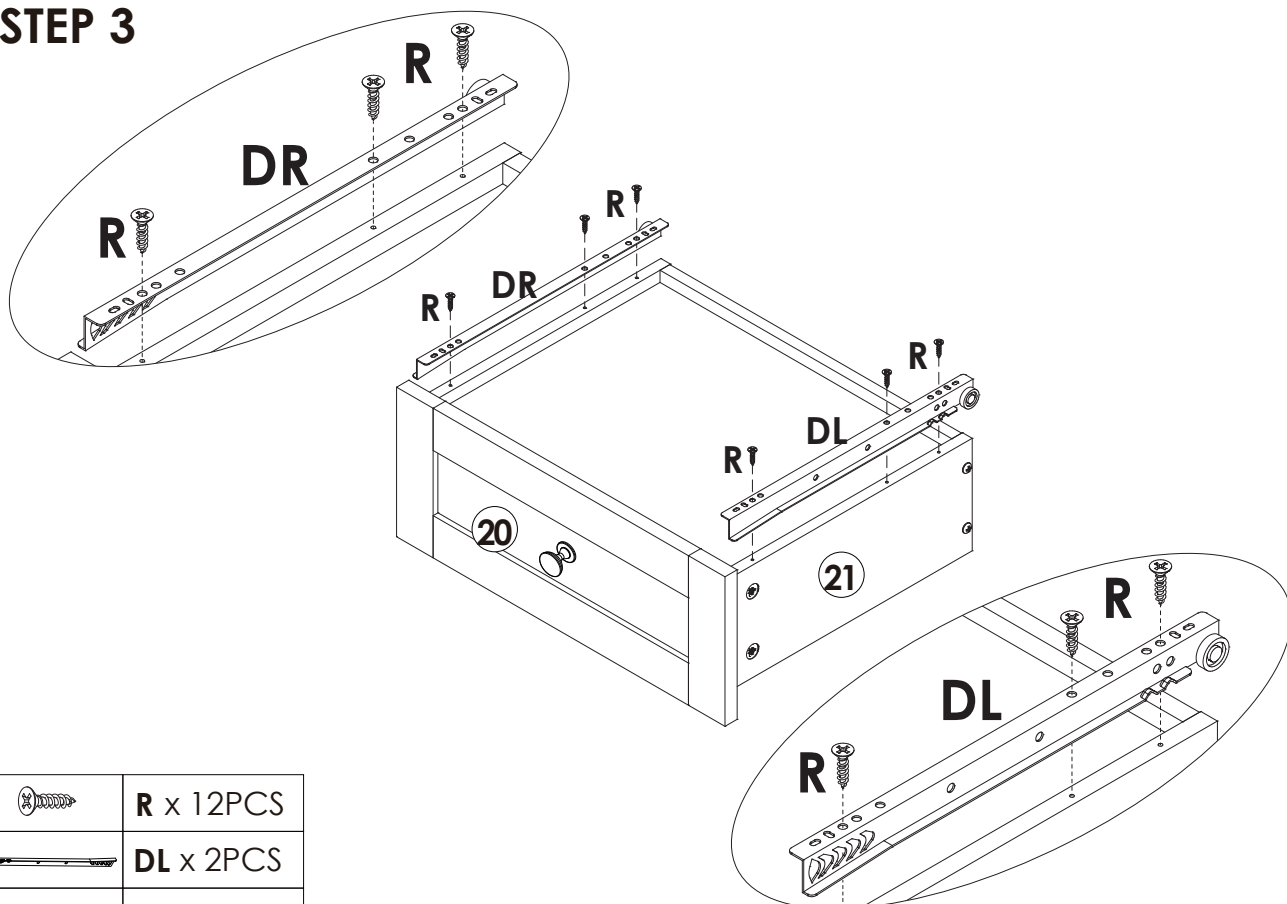





K x 2PCS



Assembly Steps(EN) / Montageschritte(DE)

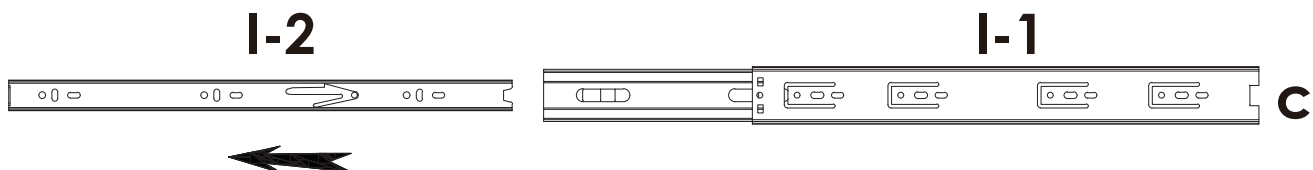
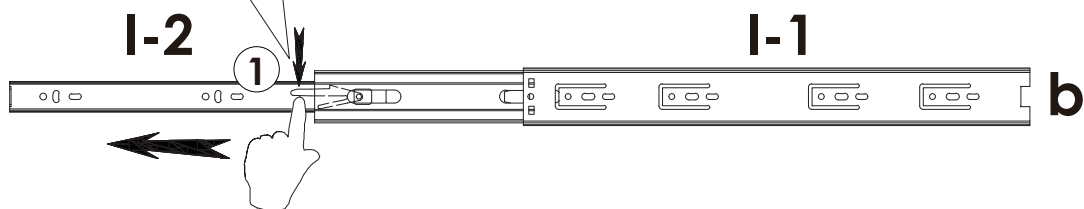
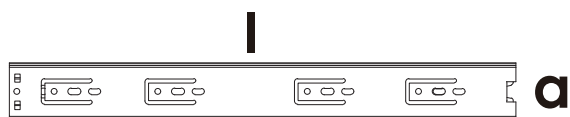
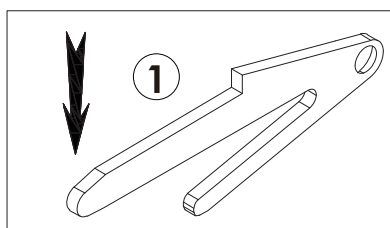
STEP 3



	R x 12PCS
	DL x 2PCS
	DR x 2PCS

STEP 4

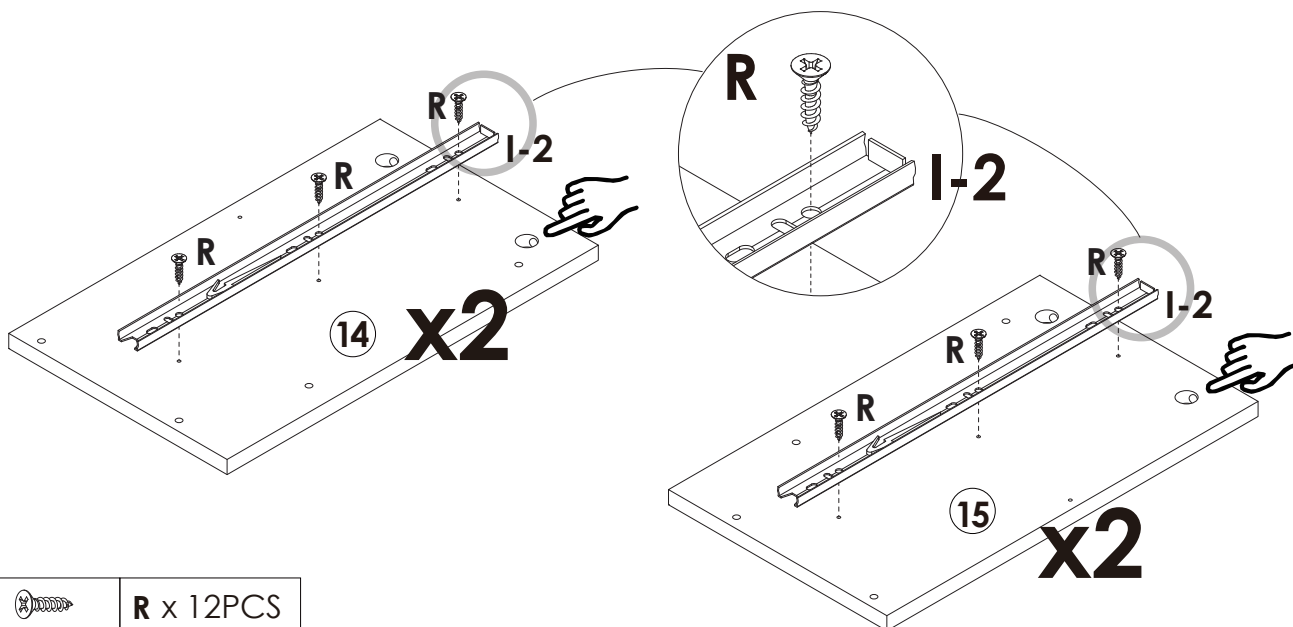
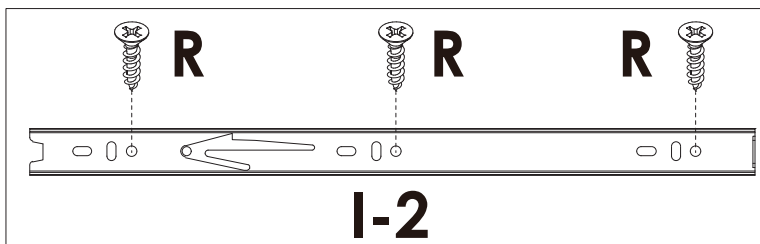
Note: To disassemble the slide rails, first pull out the slide rails. Then use a screwdriver to push down the plastic parts and draw tracks to the sides.





x4

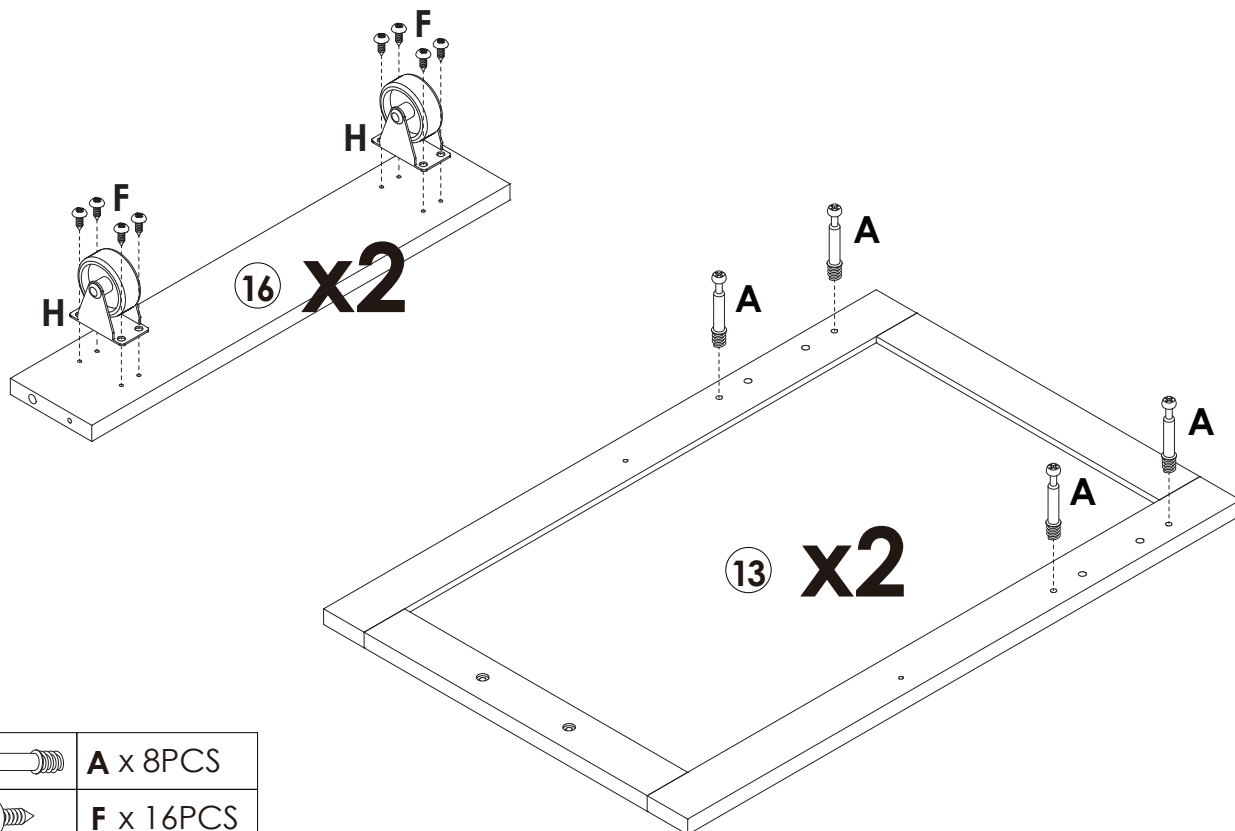
Assembly Steps(EN) / Montageschritte(DE)

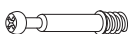


STEP 5



	R x 12PCS
	I-2 x 4PCS

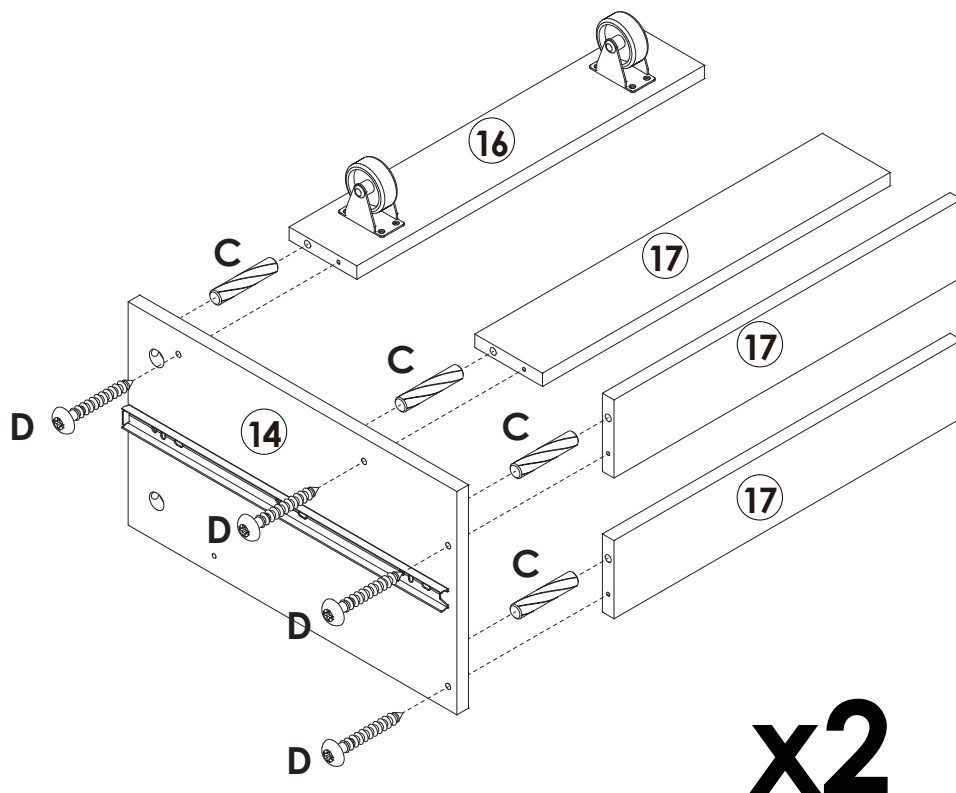
STEP 6



	A x 8PCS
	F x 16PCS
	H x 4PCS

Assembly Steps(EN) / Montageschritte(DE)

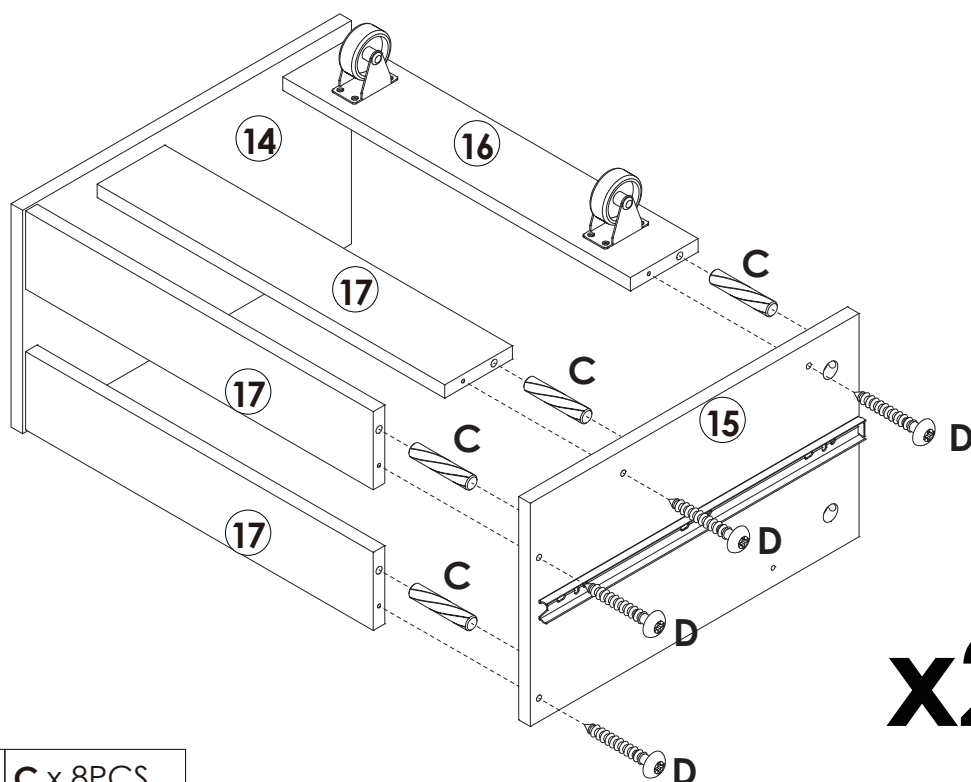
STEP 7





x2

	C x 8PCS
	D x 8PCS

STEP 8



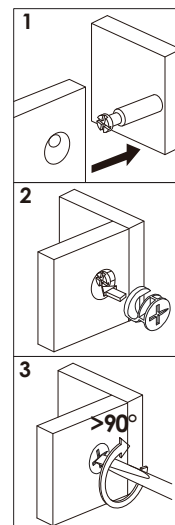
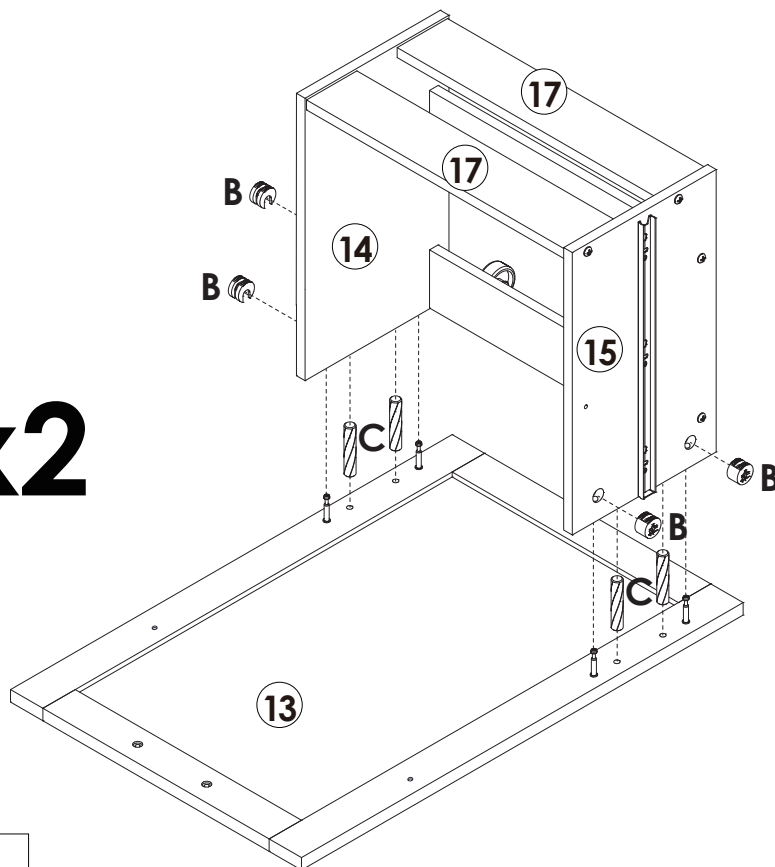
x2


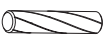
	C x 8PCS
	D x 8PCS

Assembly Steps(EN) / Montageschritte(DE)

STEP 9

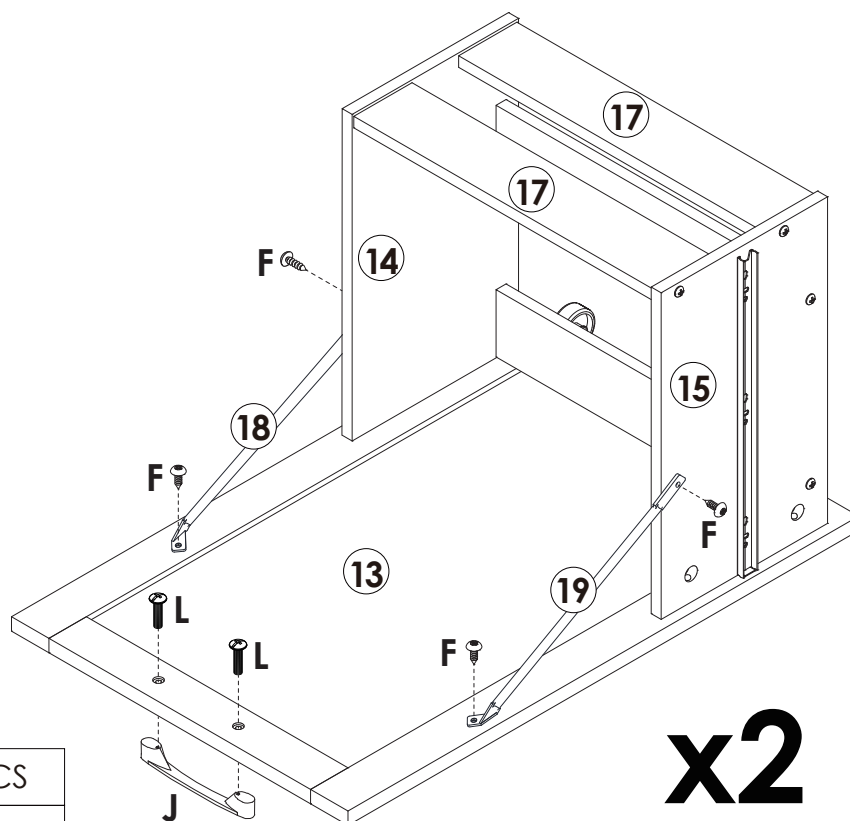
x2

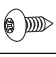
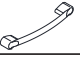
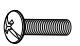


	B x 8PCS
	C x 8PCS

STEP 10

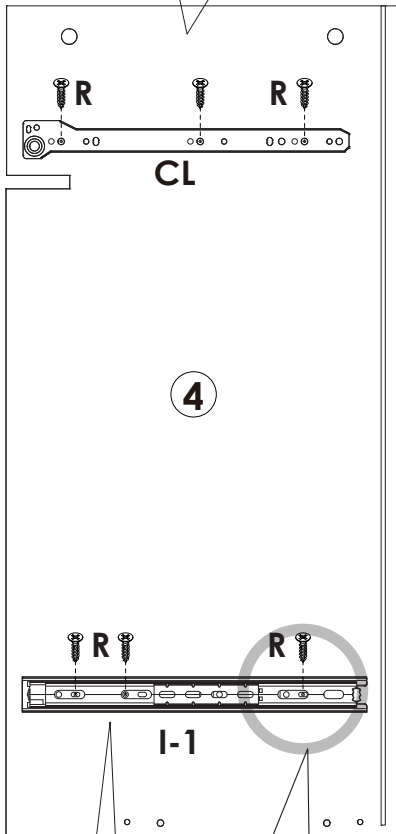
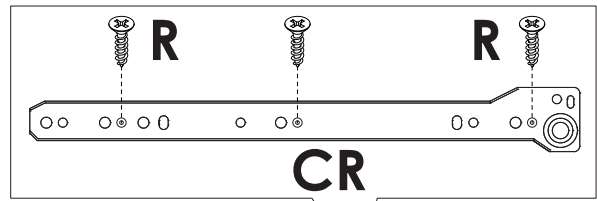
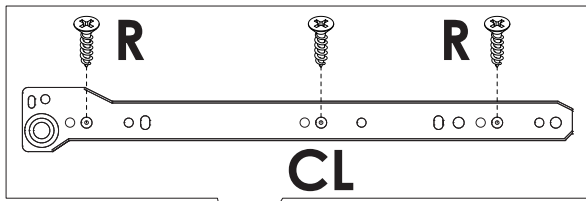
x2



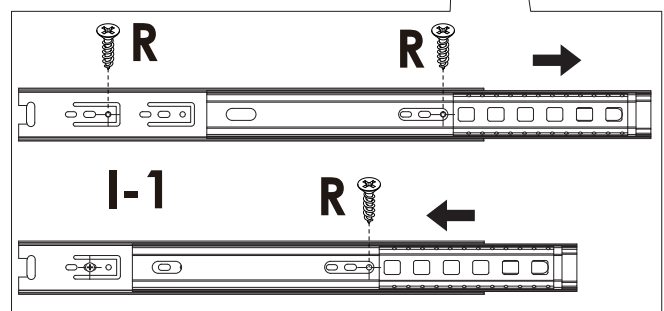
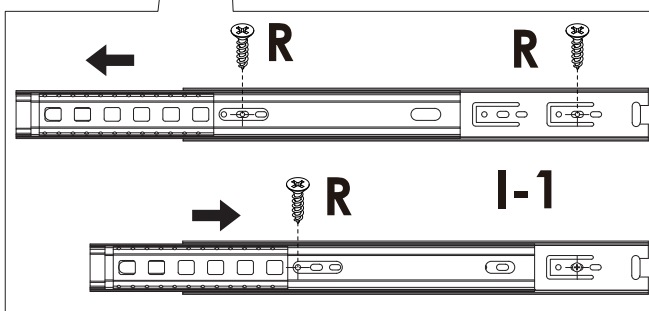
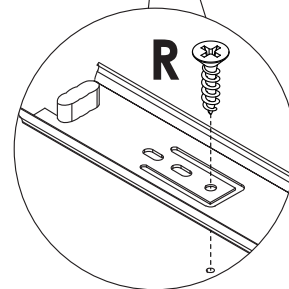
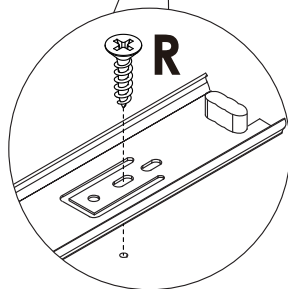
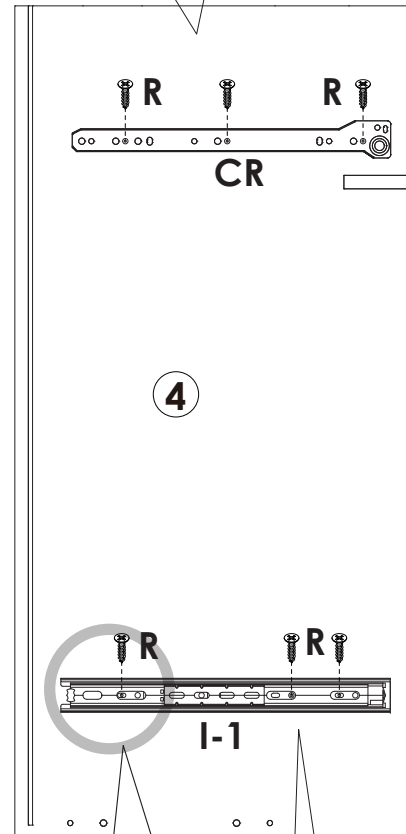
	F x 8PCS
	J x 2PCS
	L x 4PCS





Assembly Steps(EN) / Montageschritte(DE)

STEP 11



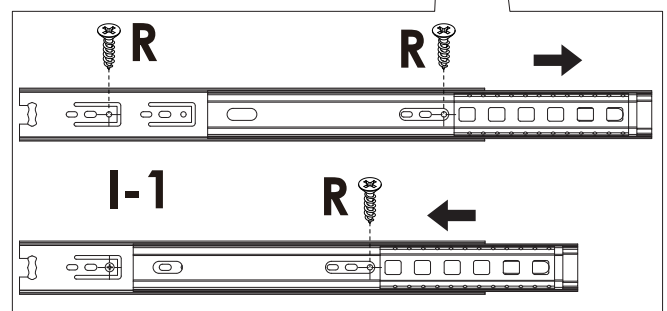
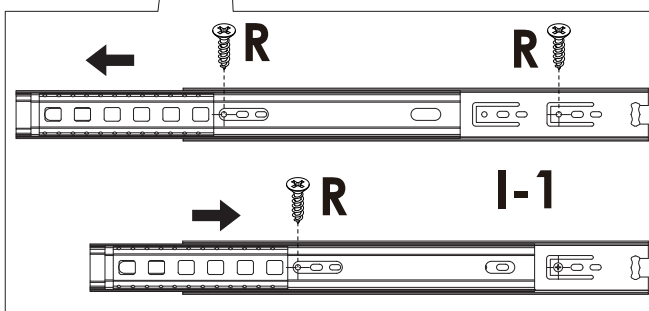
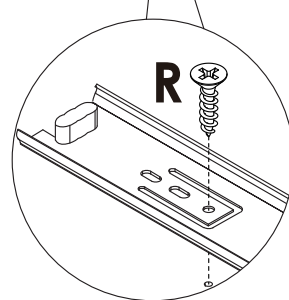
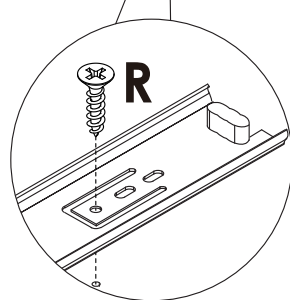
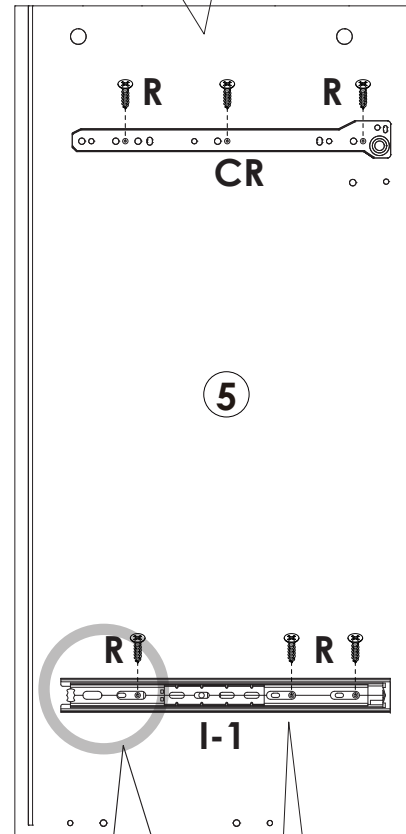
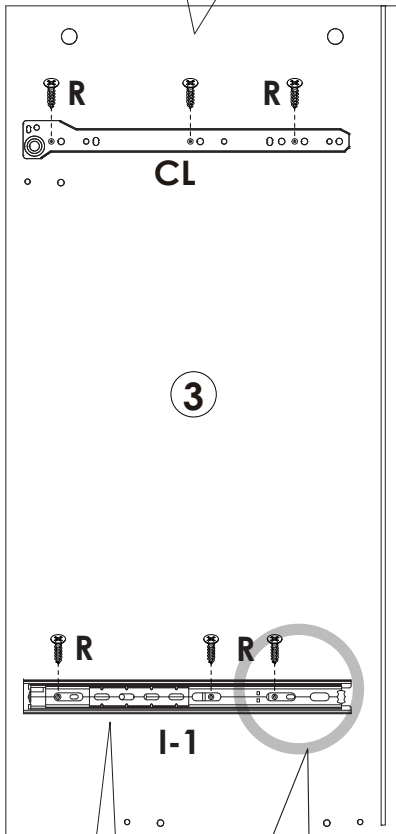
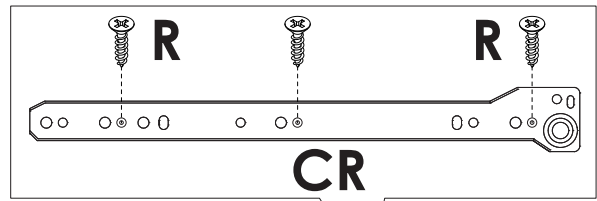
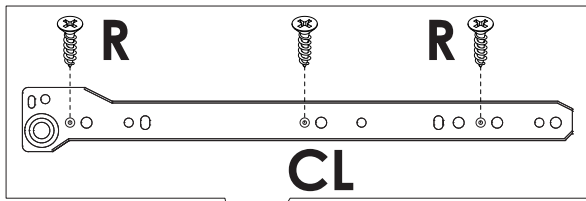
Turn over part ④ to install the other side.







	R x 12PCS		CL x 1PC
	I-1 x 2PCS		CR x 1PC

Assembly Steps(EN) / Montageschritte(DE)

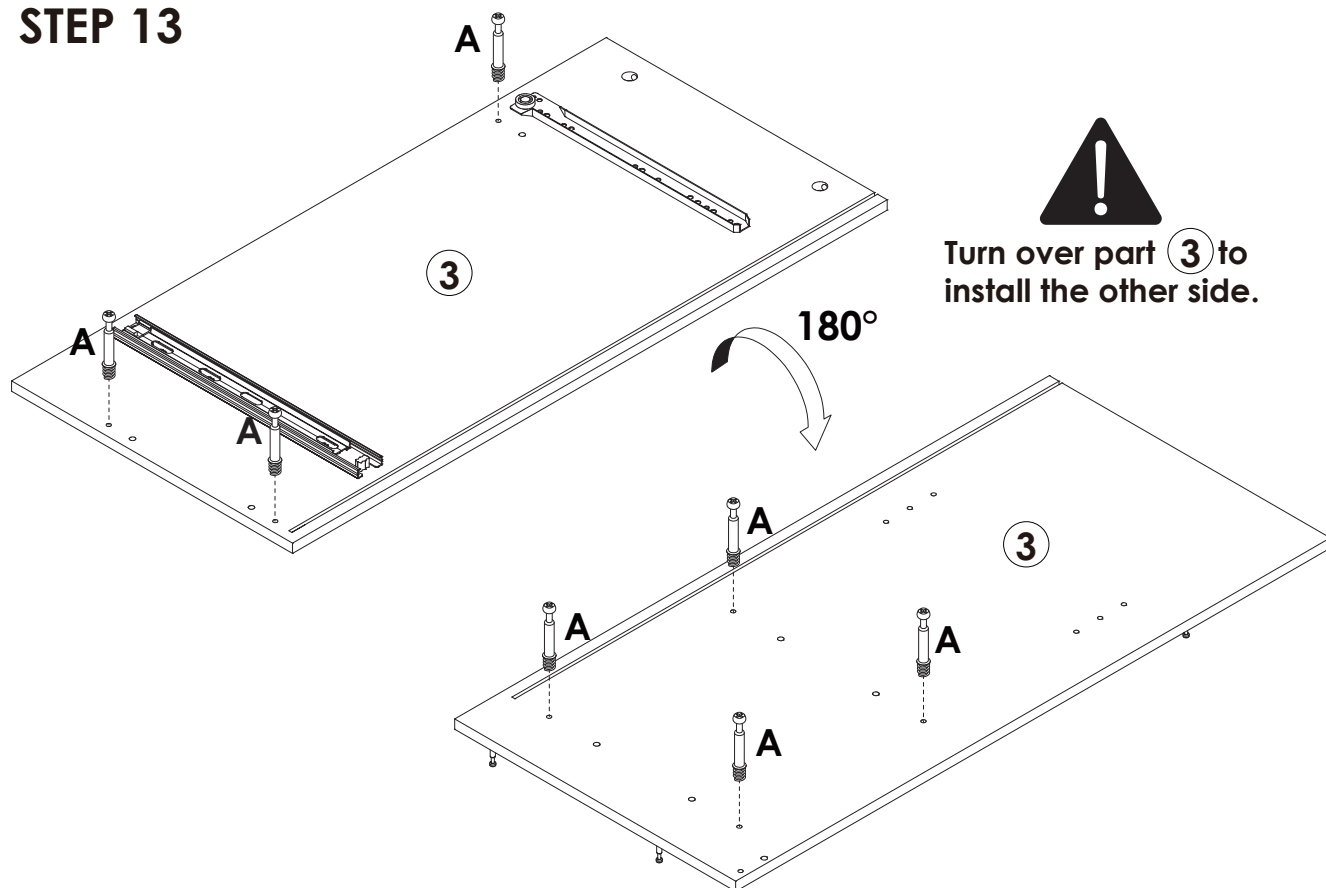
STEP 12



	R x 12PCS		CL x 1PC
	I-1 x 2PCS		CR x 1PC

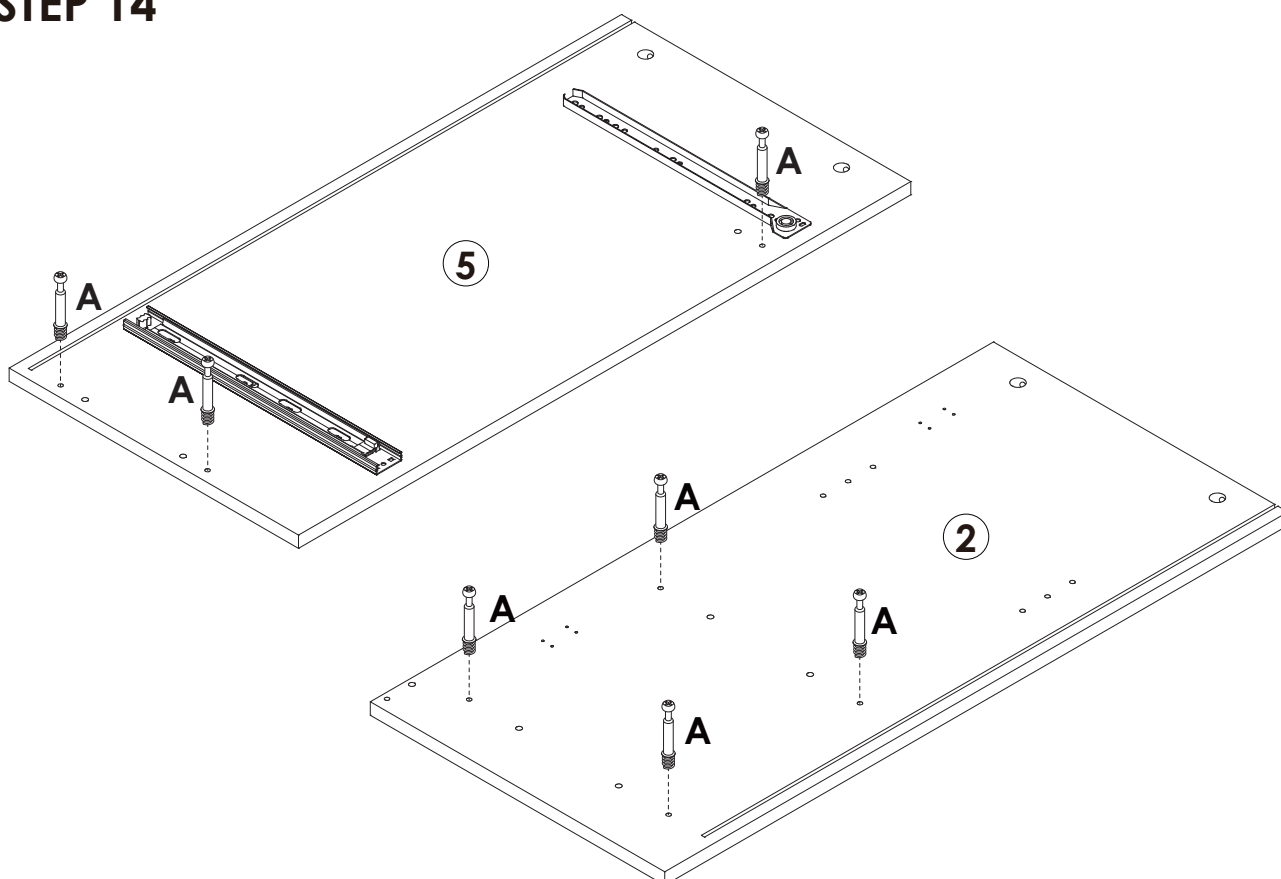
Assembly Steps(EN) / Montageschritte(DE)

STEP 13



 A x 7PCS

STEP 14



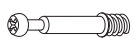
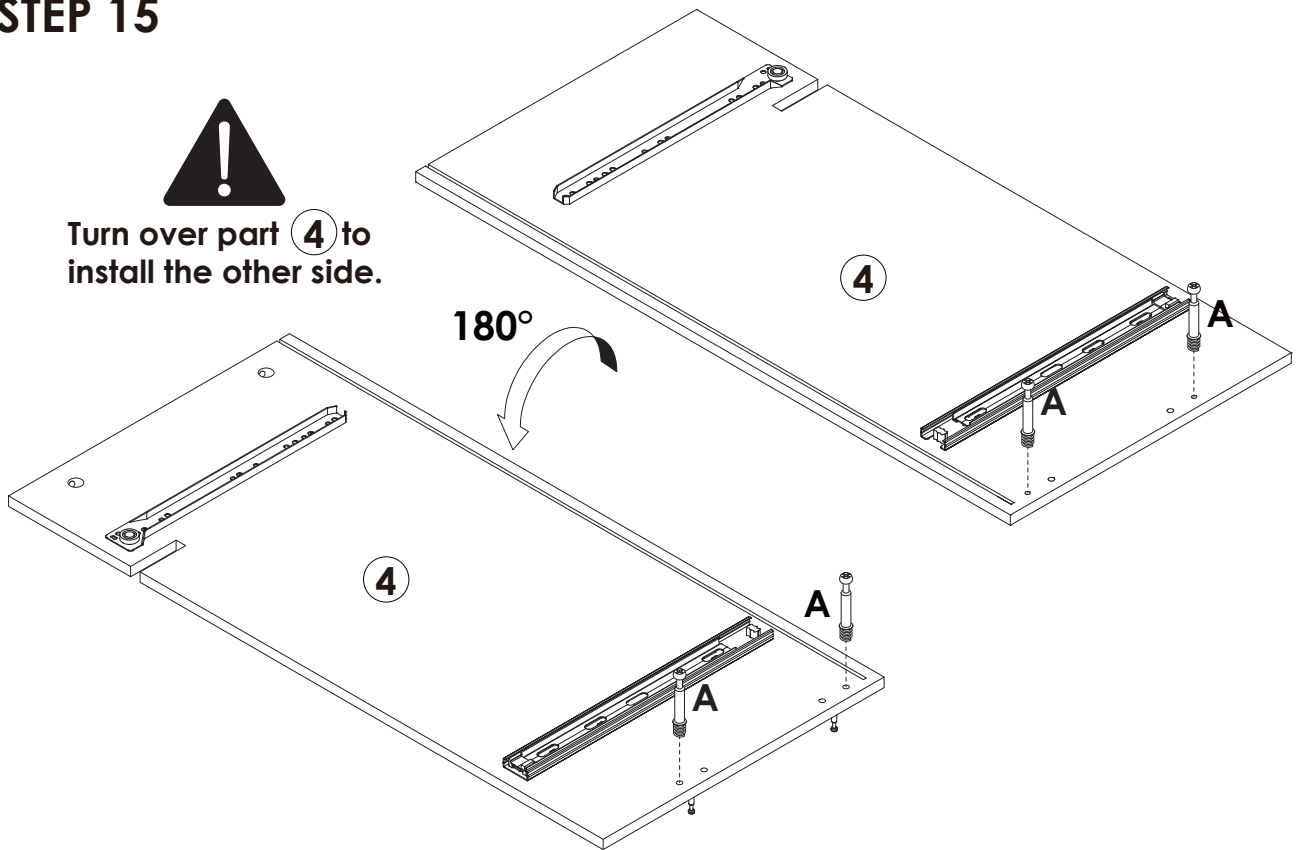
 A x 7PCS

Assembly Steps(EN) / Montageschritte(DE)

STEP 15

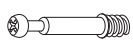
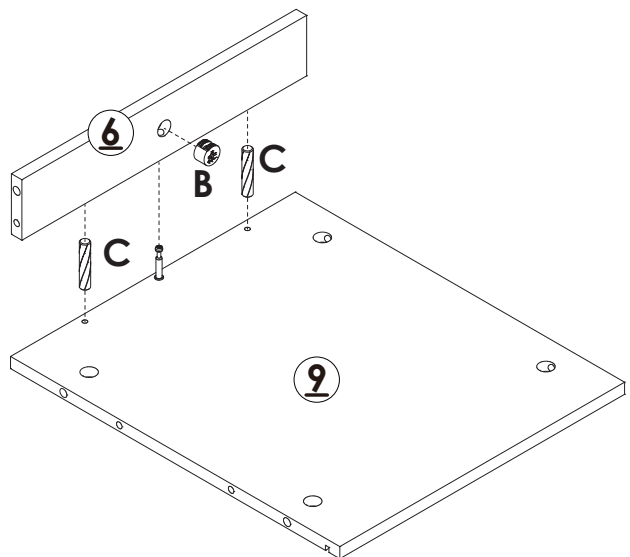
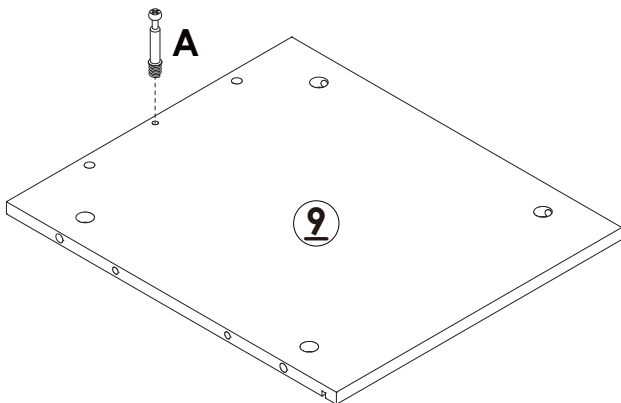


Turn over part ④ to install the other side.



A x 4PCS

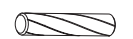
STEP 16



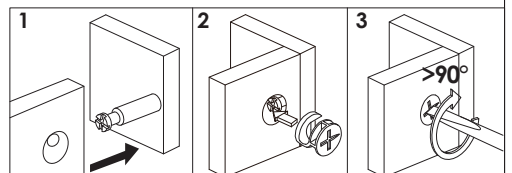
A x 1PC



B x 1PC

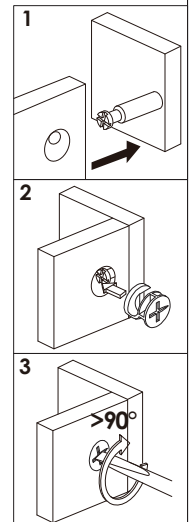
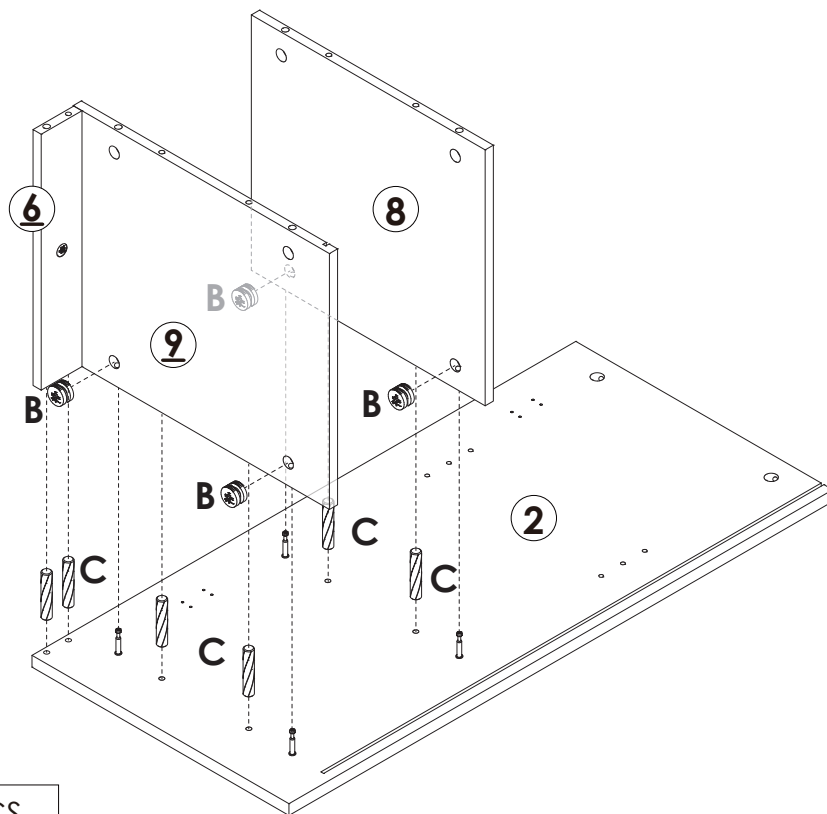



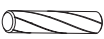
C x 2PCS



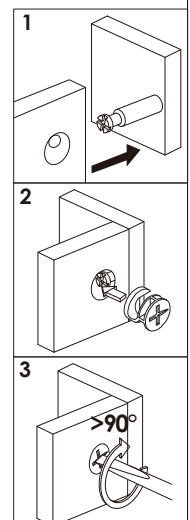
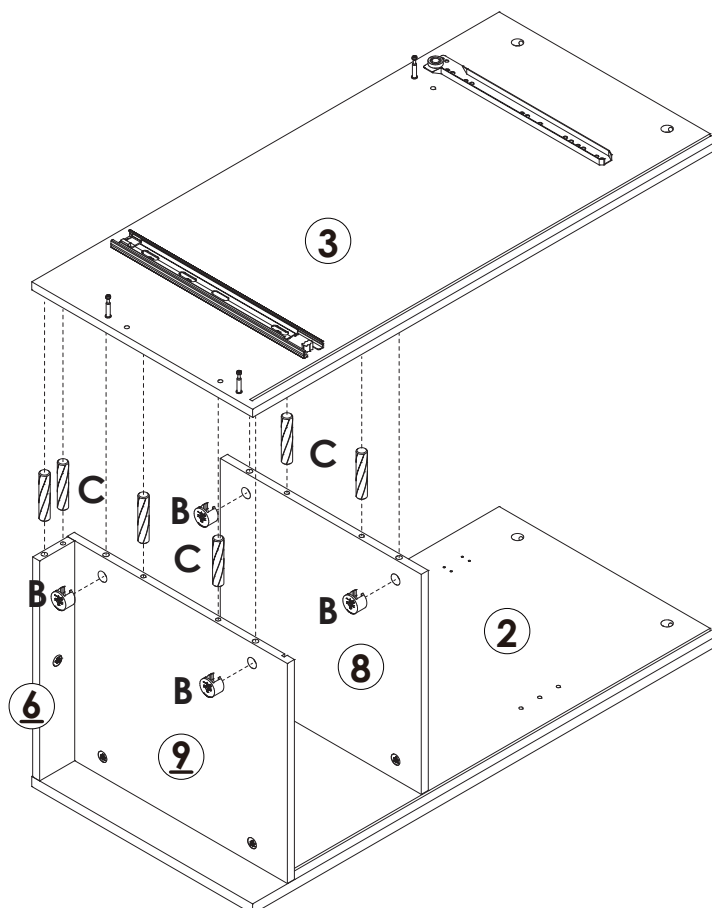
Assembly Steps(EN) / Montageschritte(DE)


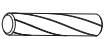
STEP 17



	B x 4PCS
	C x 6PCS

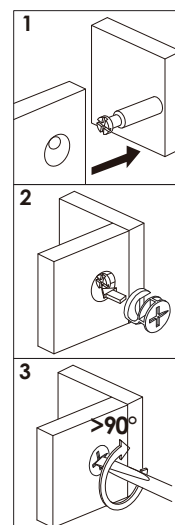
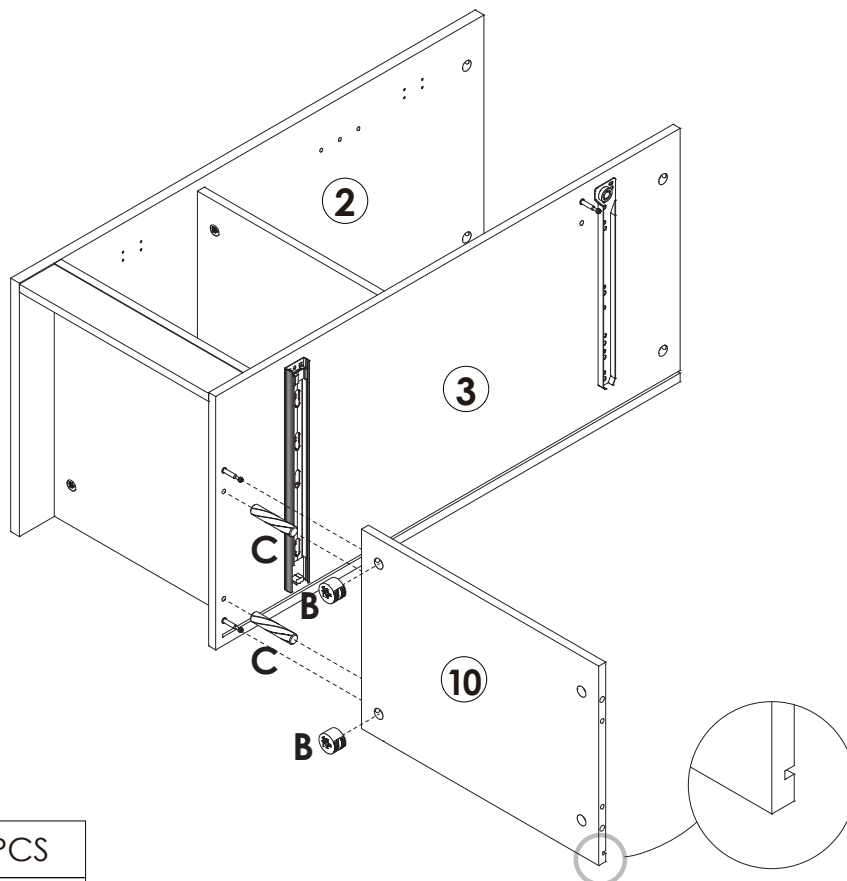
STEP 18


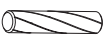


	B x 4PCS
	C x 6PCS

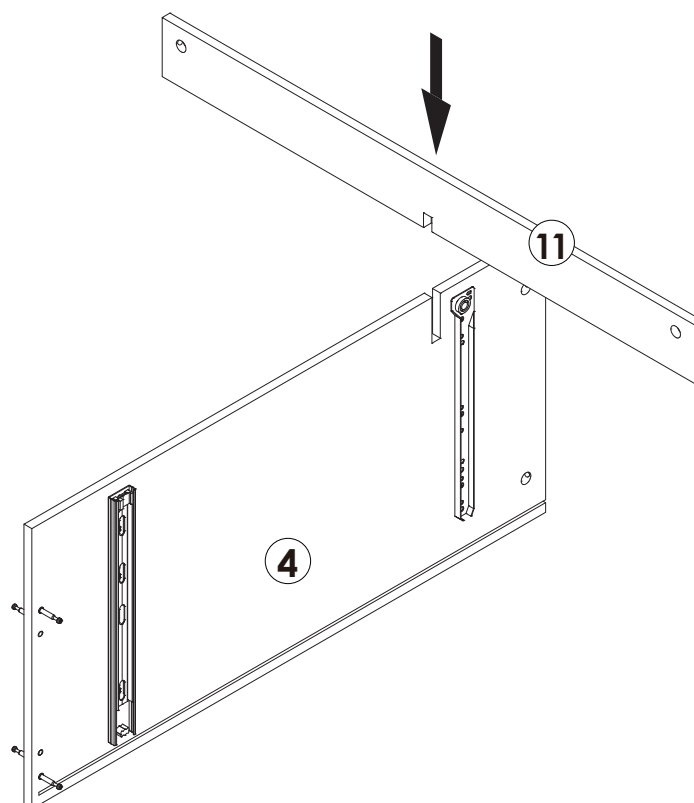
Assembly Steps(EN) / Montageschritte(DE)

STEP 19



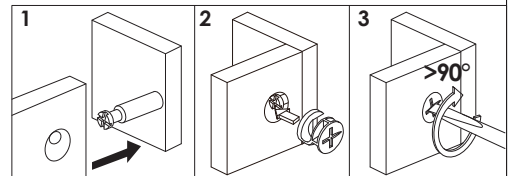
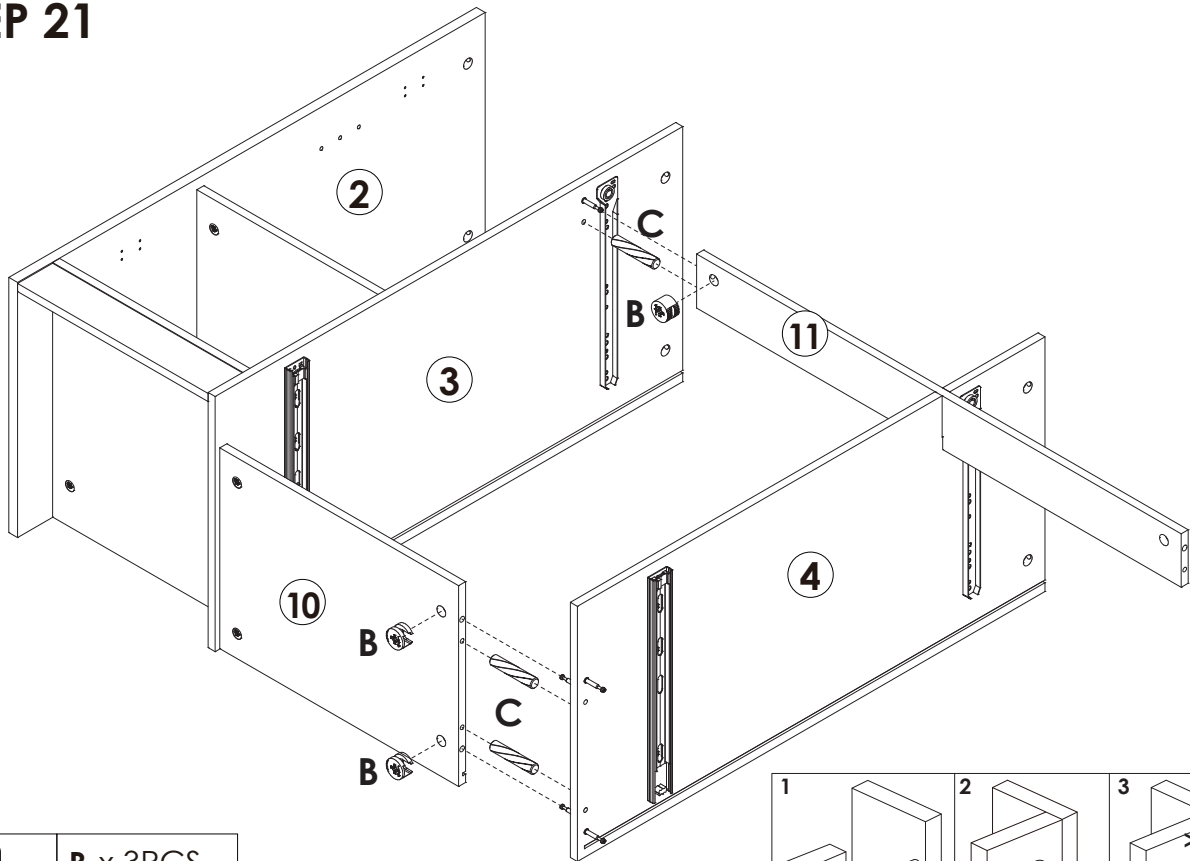
	B x 2PCS
	C x 2PCS


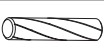
STEP 20



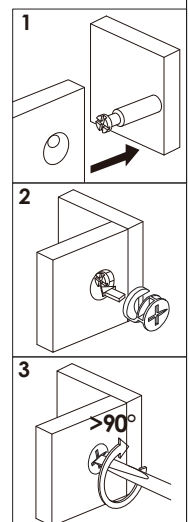
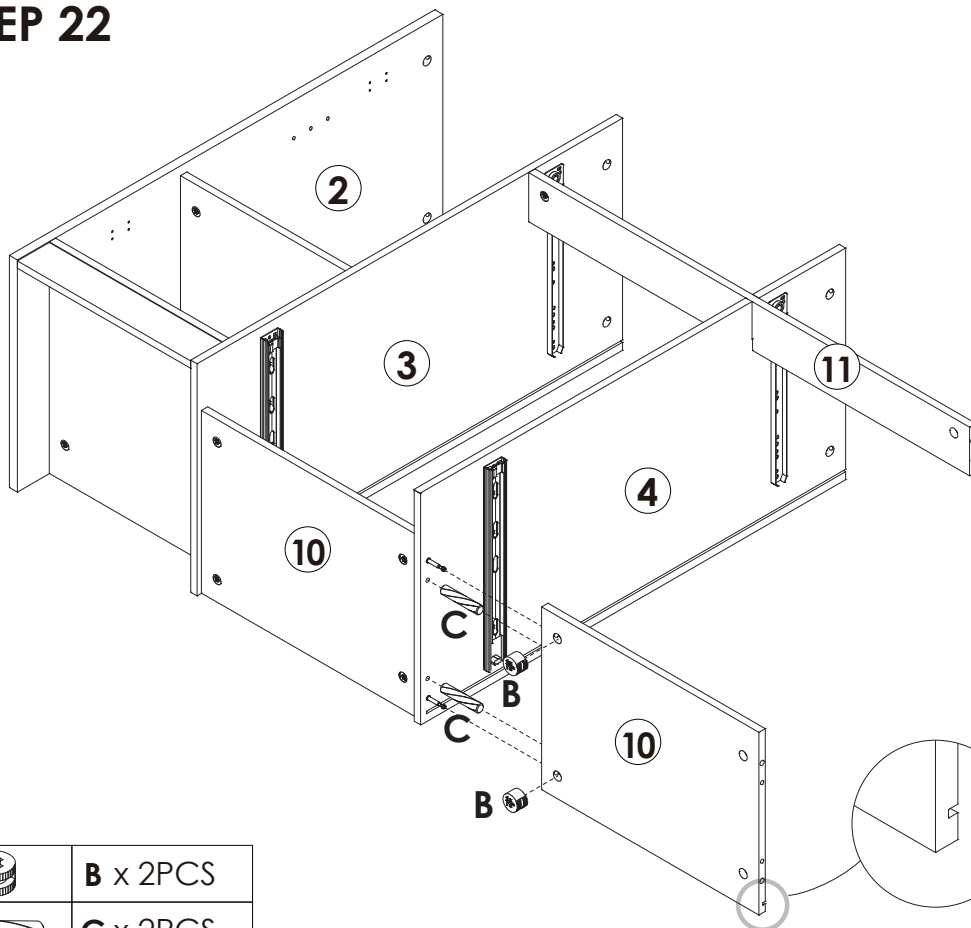
Assembly Steps(EN) / Montageschritte(DE)


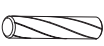
STEP 21



	B x 3PCS
	C x 3PCS

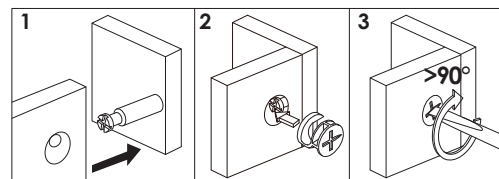
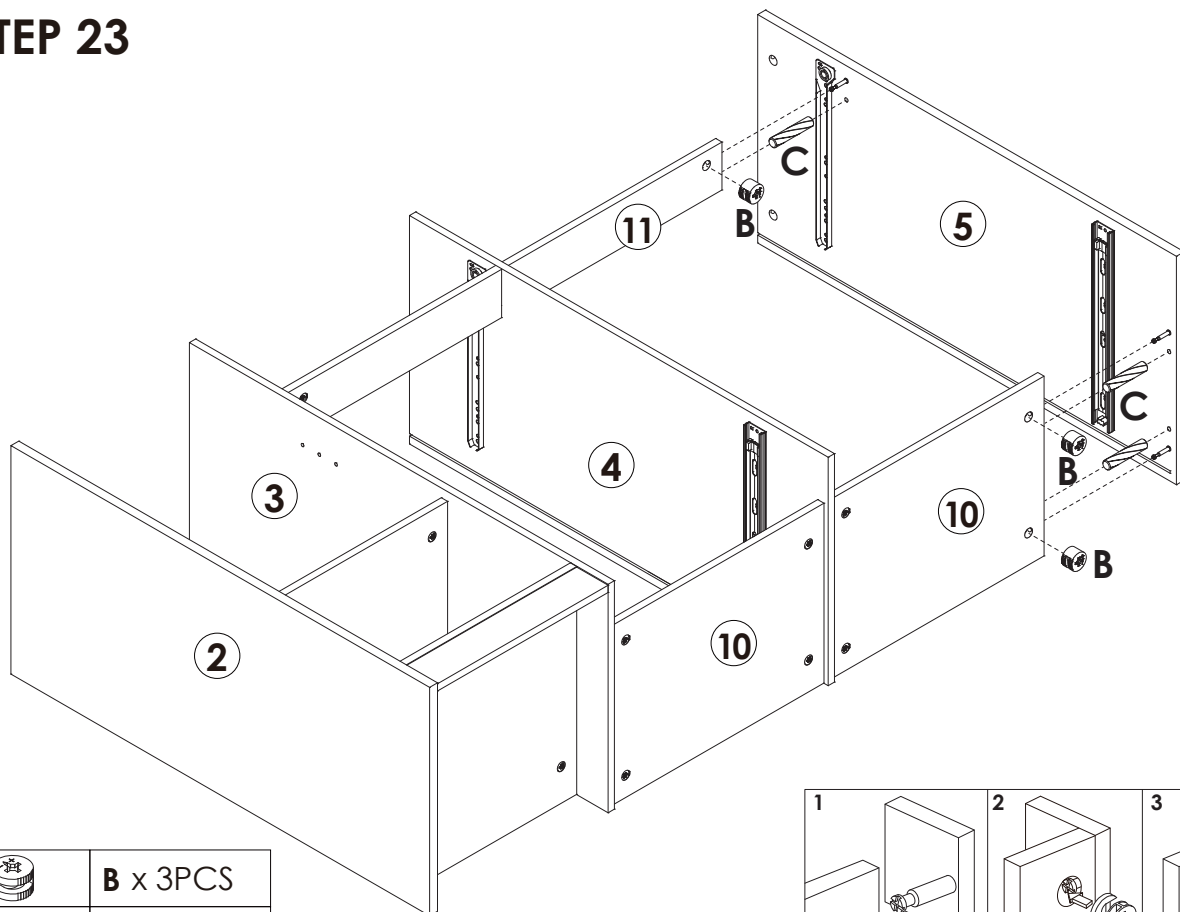
STEP 22


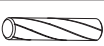


	B x 2PCS
	C x 2PCS

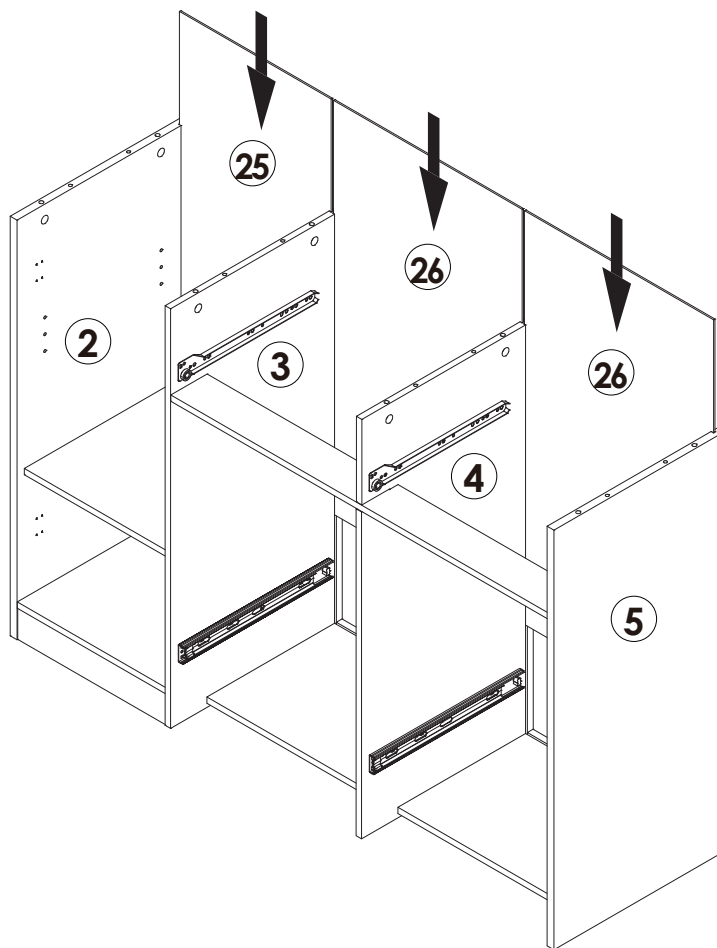
Assembly Steps(EN) / Montageschritte(DE)

STEP 23



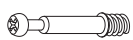
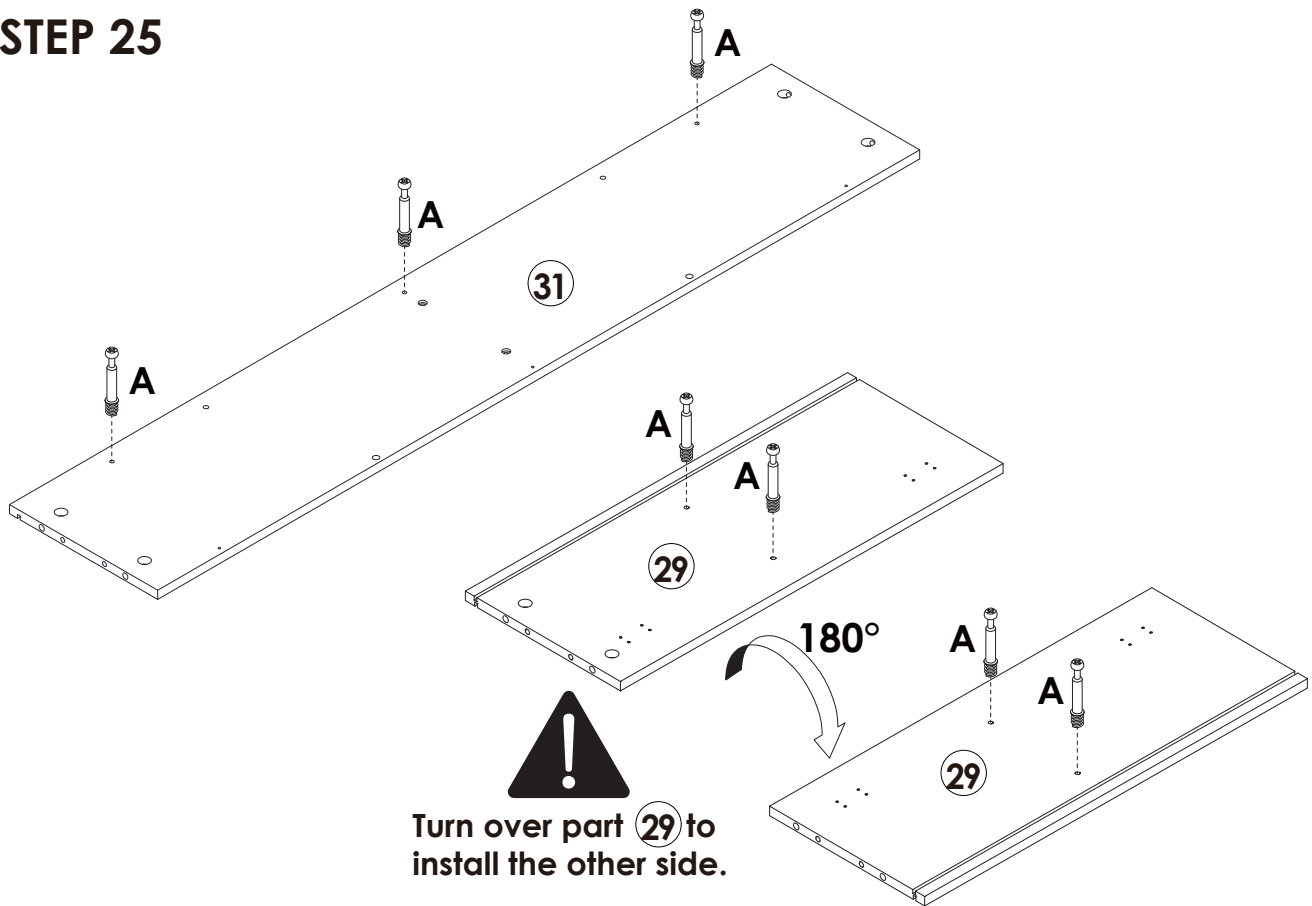
	B x 3PCS
	C x 3PCS

STEP 24



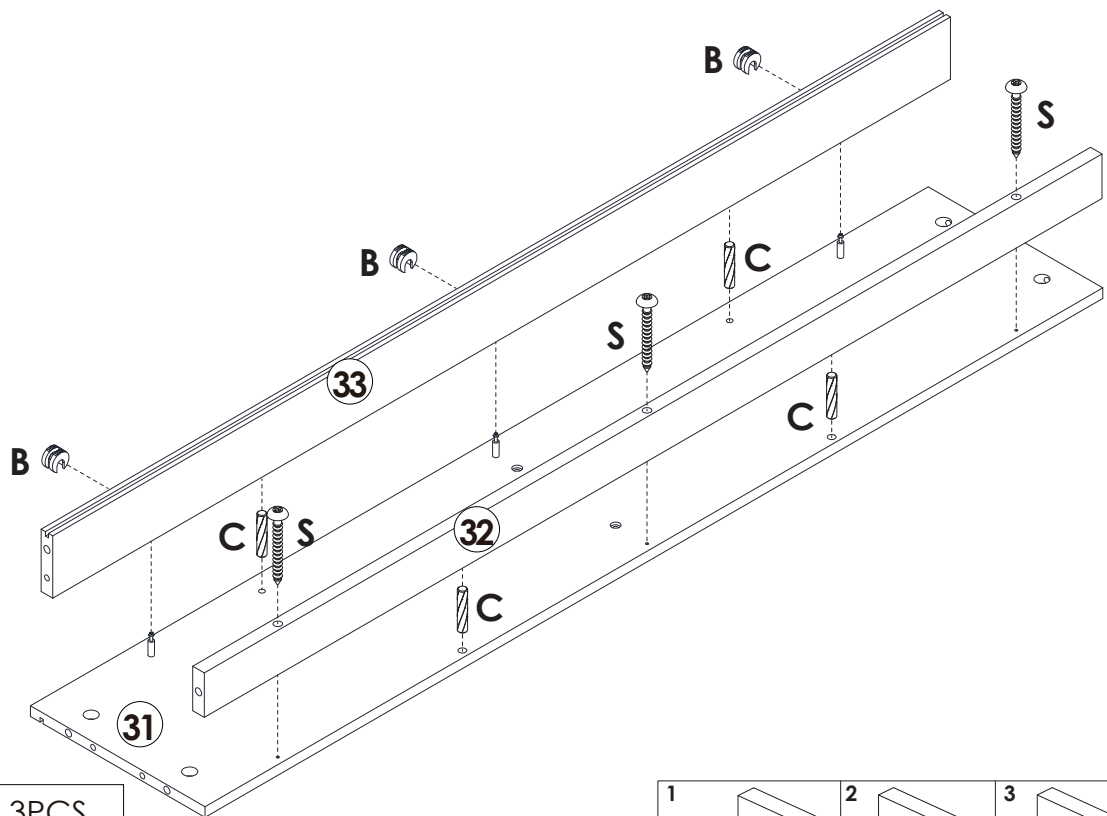
Assembly Steps(EN) / Montageschritte(DE)

STEP 25



A x 7PCS

STEP 26



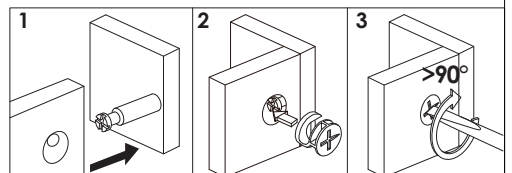
B x 3PCS



C x 4PCS

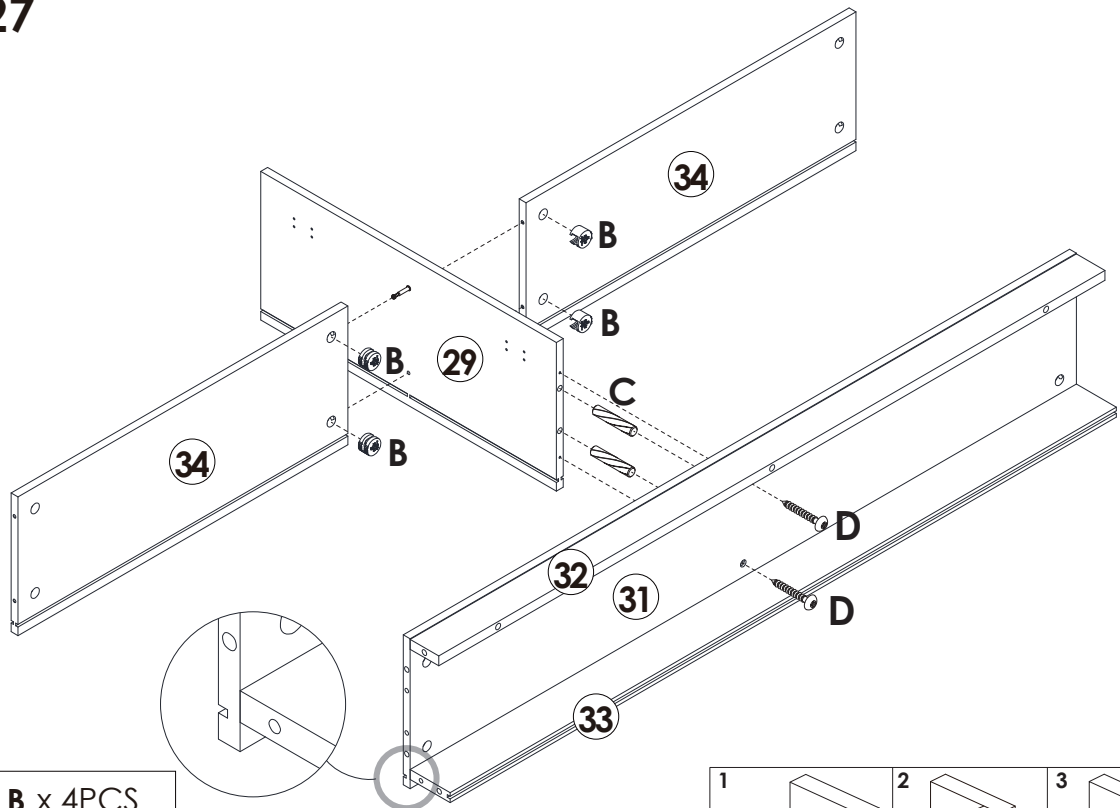



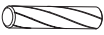

S x 3PCS

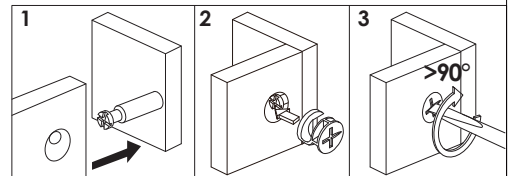


Assembly Steps(EN) / Montageschritte(DE)

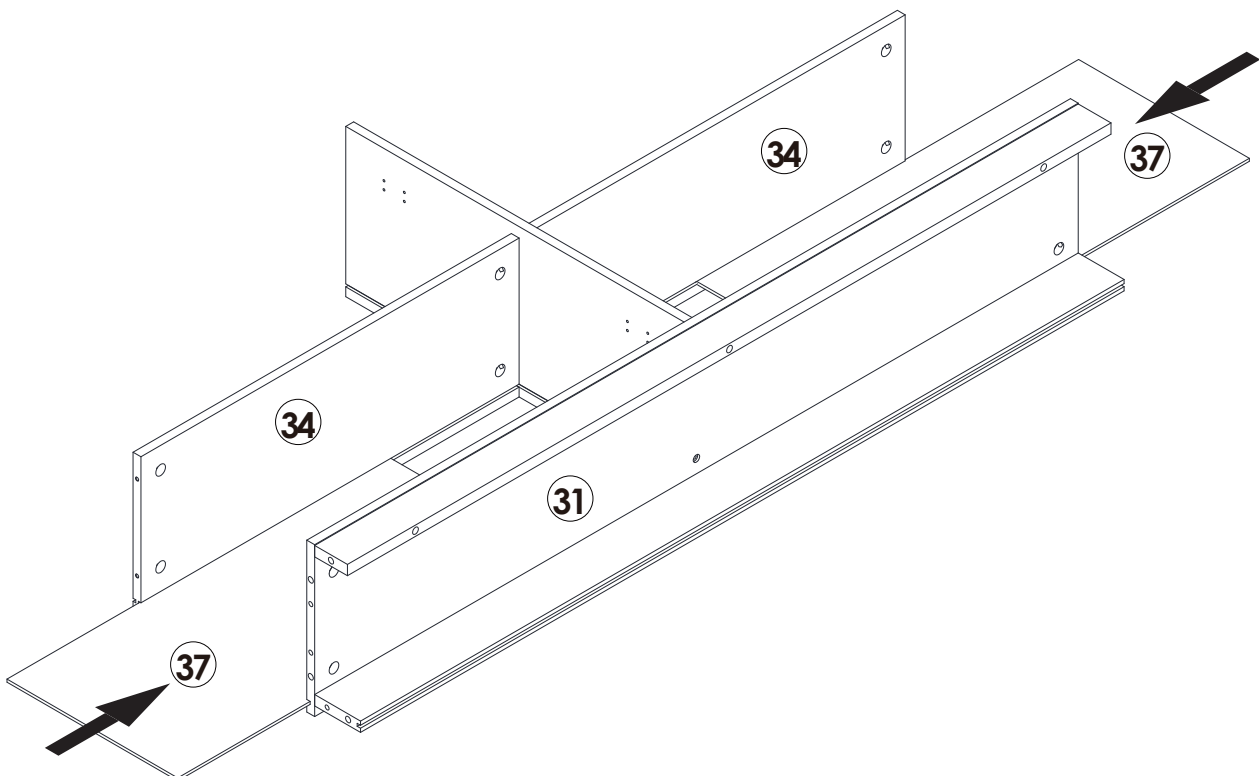
STEP 27



	B x 4PCS
	C x 2PCS
	D x 2PCS

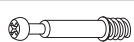
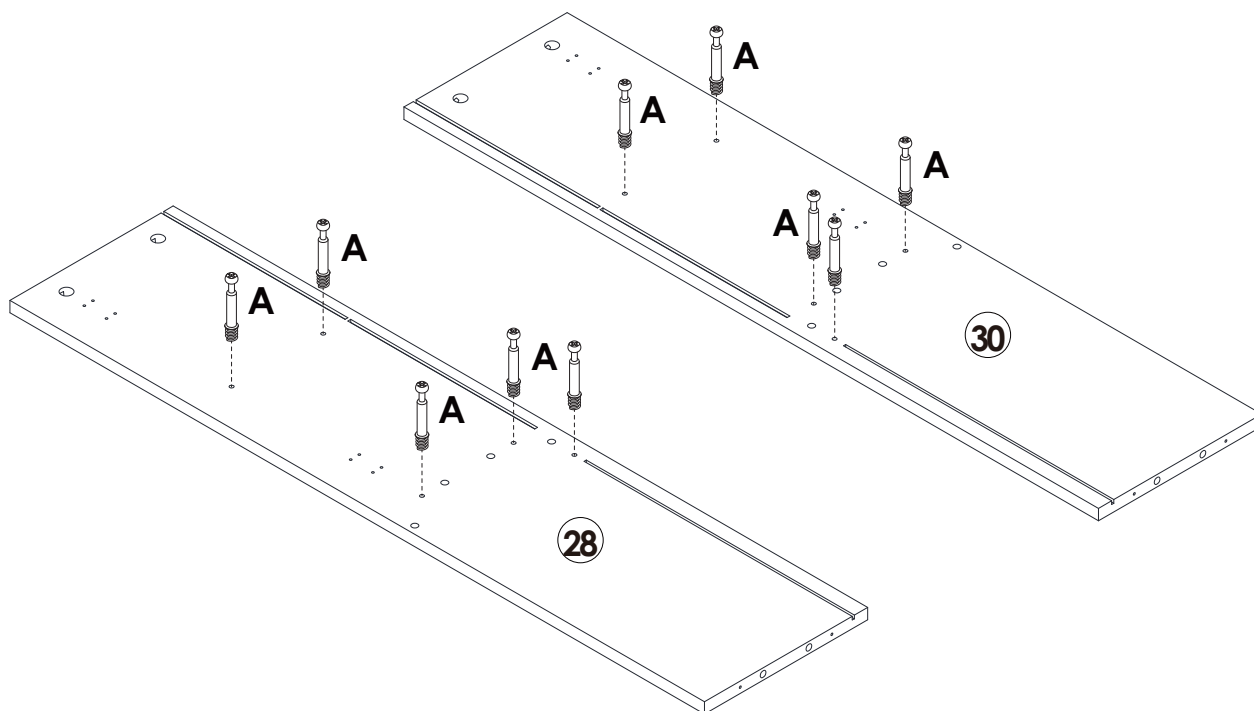


STEP 28



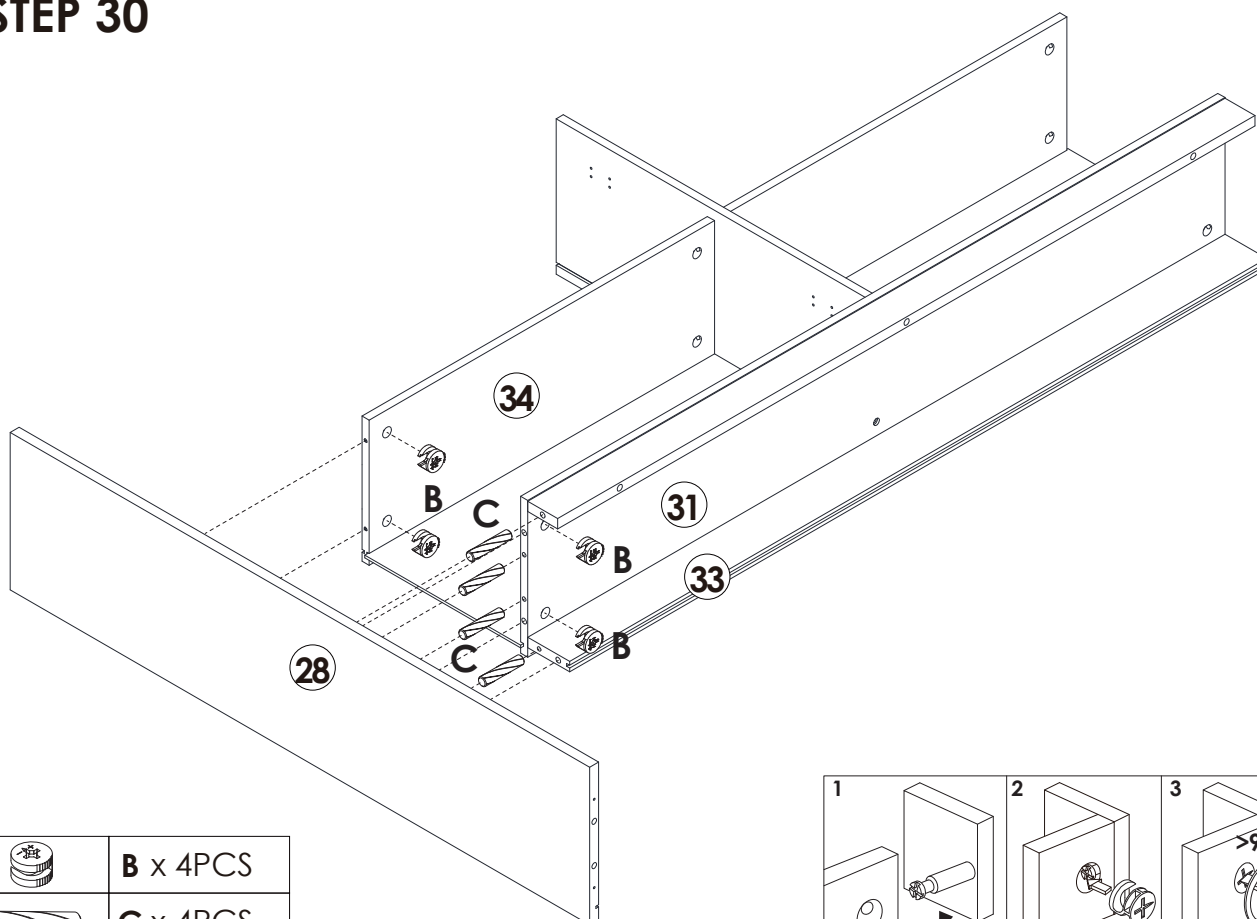
Assembly Steps(EN) / Montageschritte(DE)

STEP 29

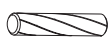


A x 10PCS

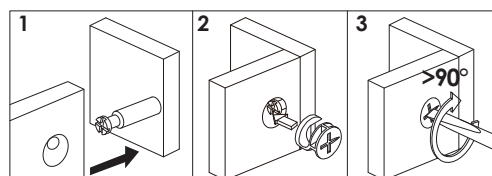
STEP 30



B x 4PCS

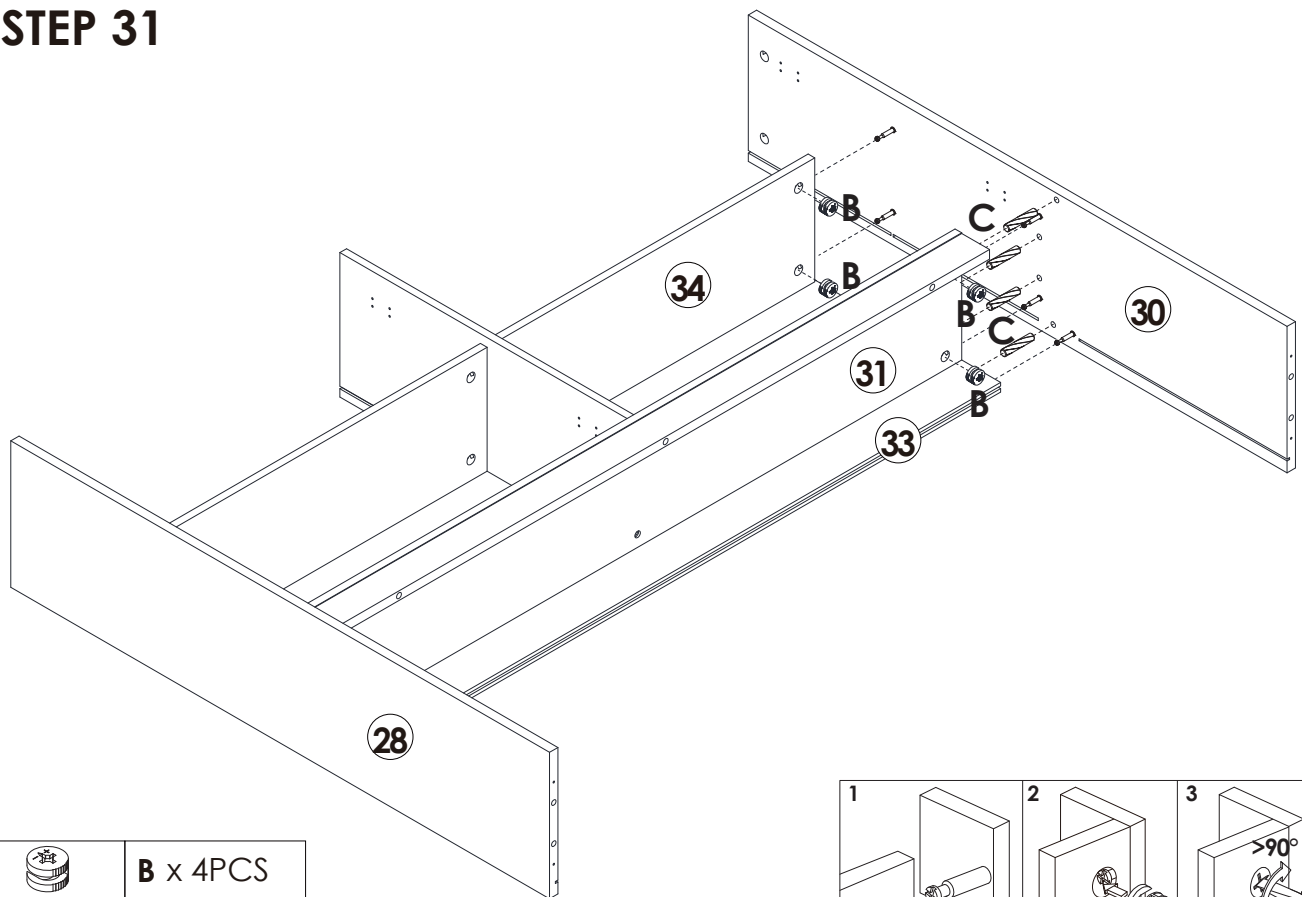



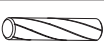
C x 4PCS

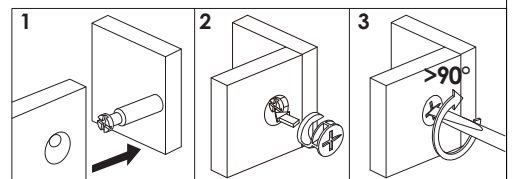


Assembly Steps(EN) / Montageschritte(DE)

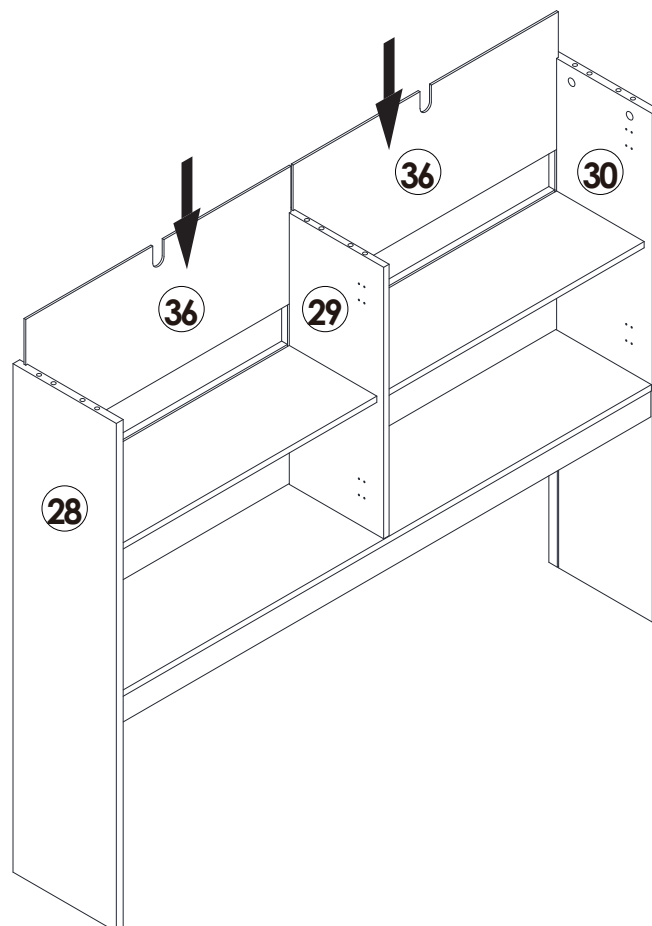
STEP 31



	B x 4PCS
	C x 4PCS



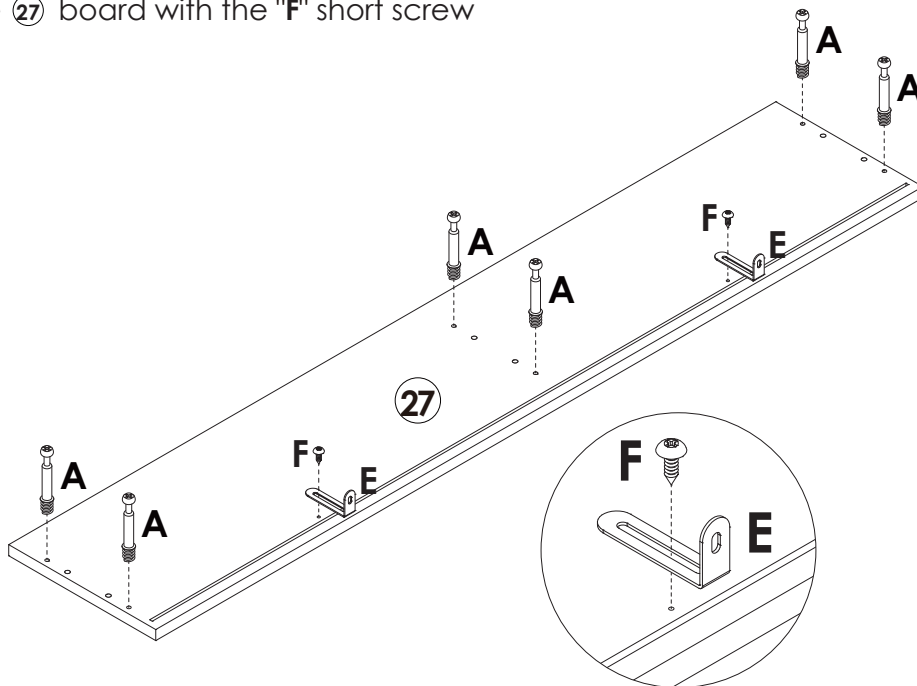
STEP 32

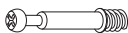




Assembly Steps(EN) / Montageschritte(DE)

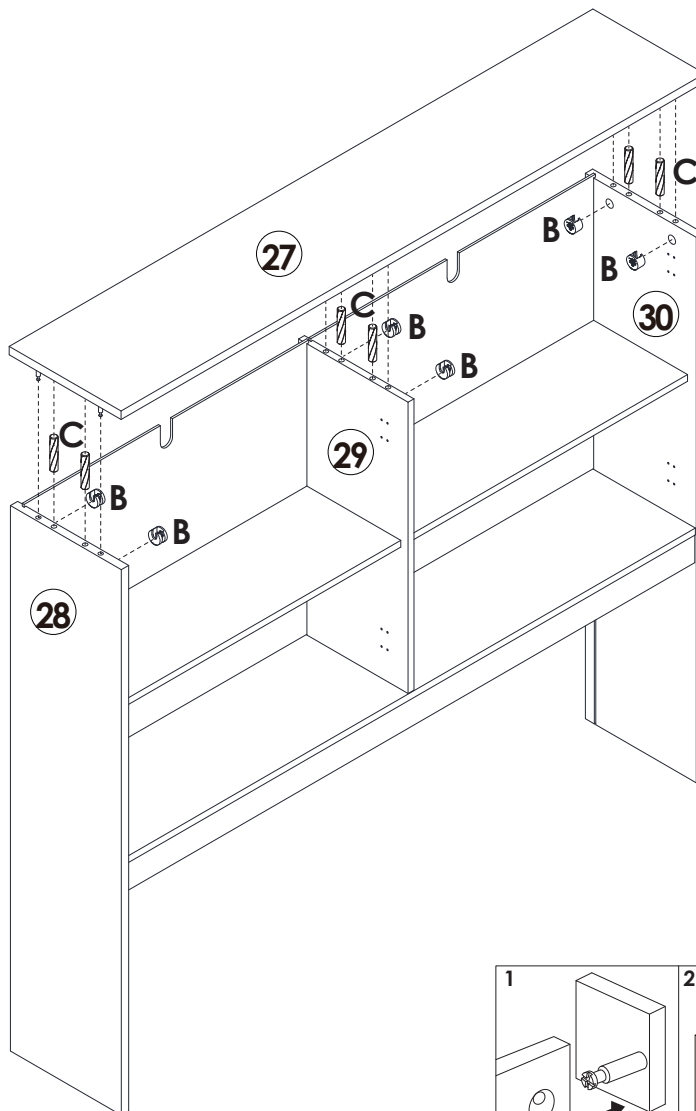
STEP 33



Lock the long side of the "E" L-shaped metal plate to the (27) board with the "F" short screw

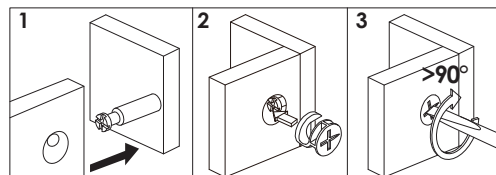


	A x 6PCS
	E x 2PCS
	F x 2PCS

STEP 34

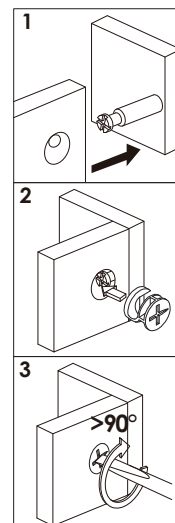
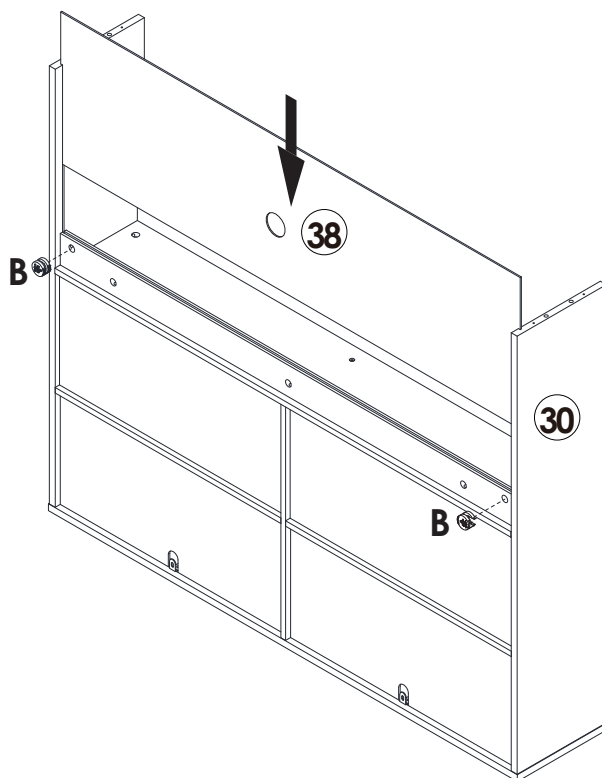


	B x 6PCS
	C x 6PCS



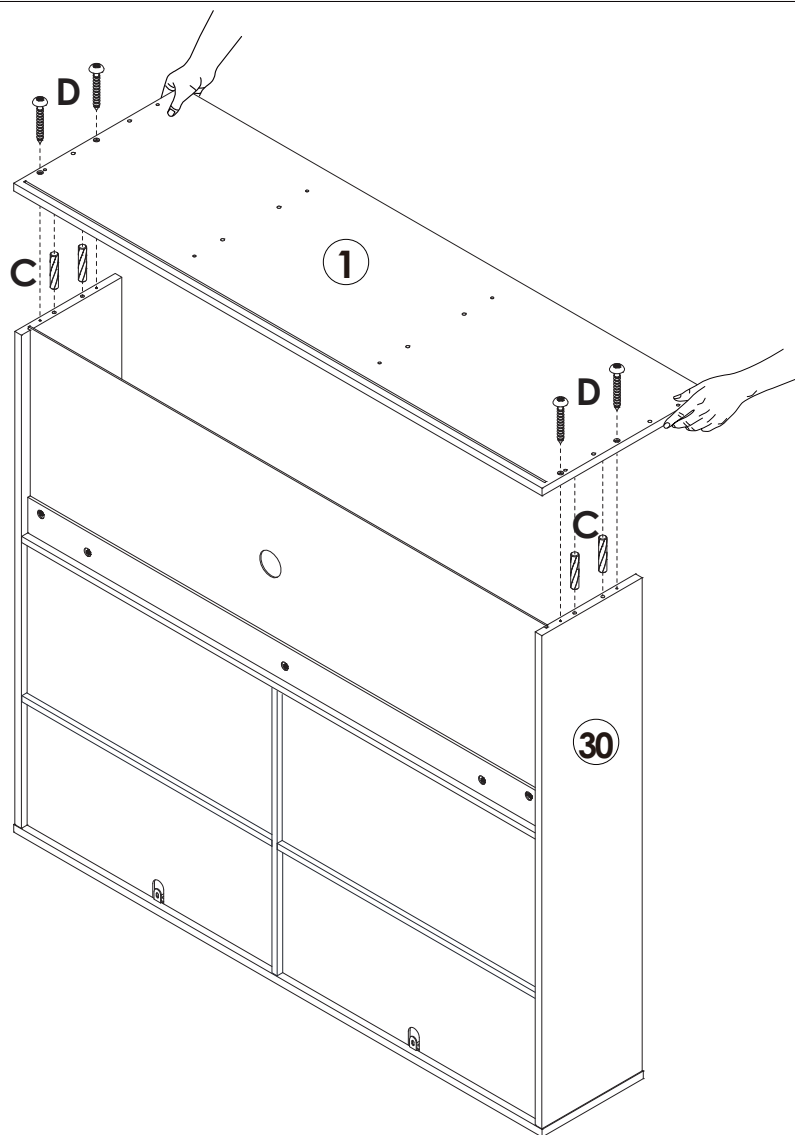
Assembly Steps(EN) / Montageschritte(DE)

STEP 35



B x 2PCS

STEP 36



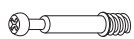
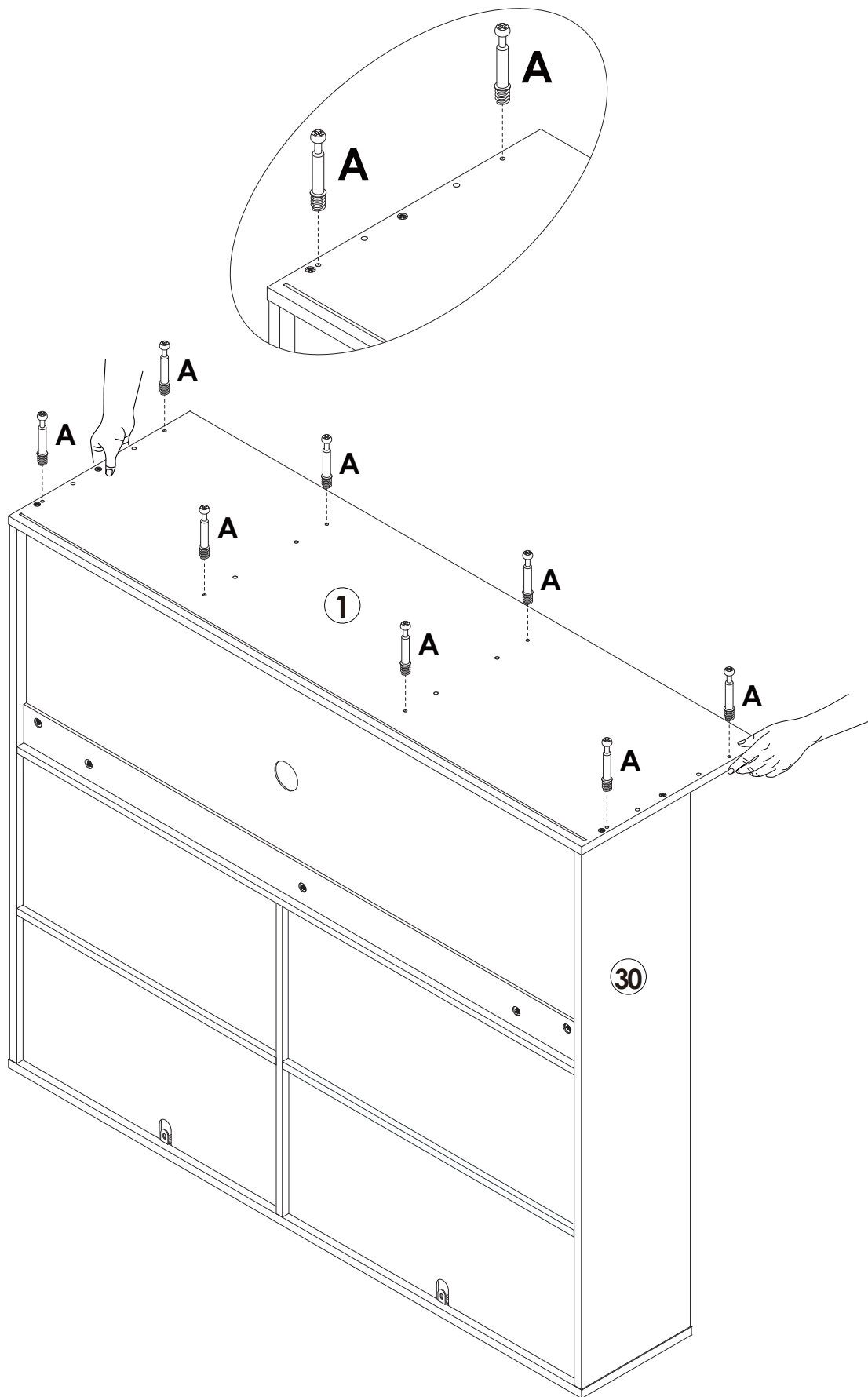
C x 4PCS



D x 4PCS

Assembly Steps(EN) / Montageschritte(DE)

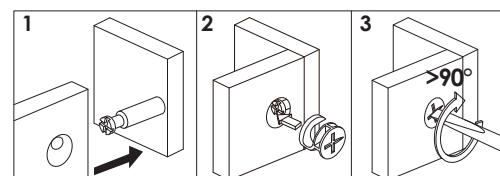
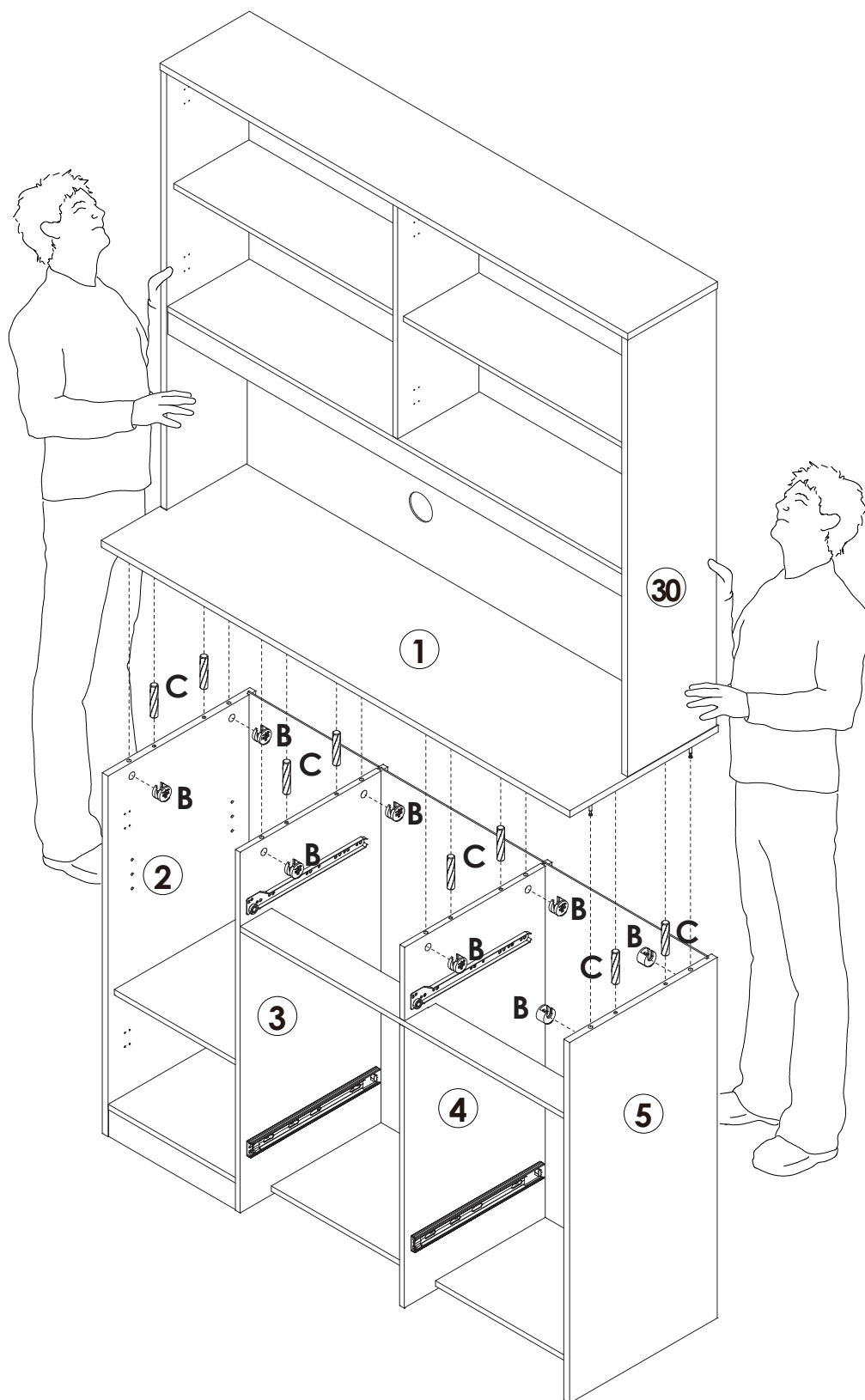
STEP 37



A x 8PCS

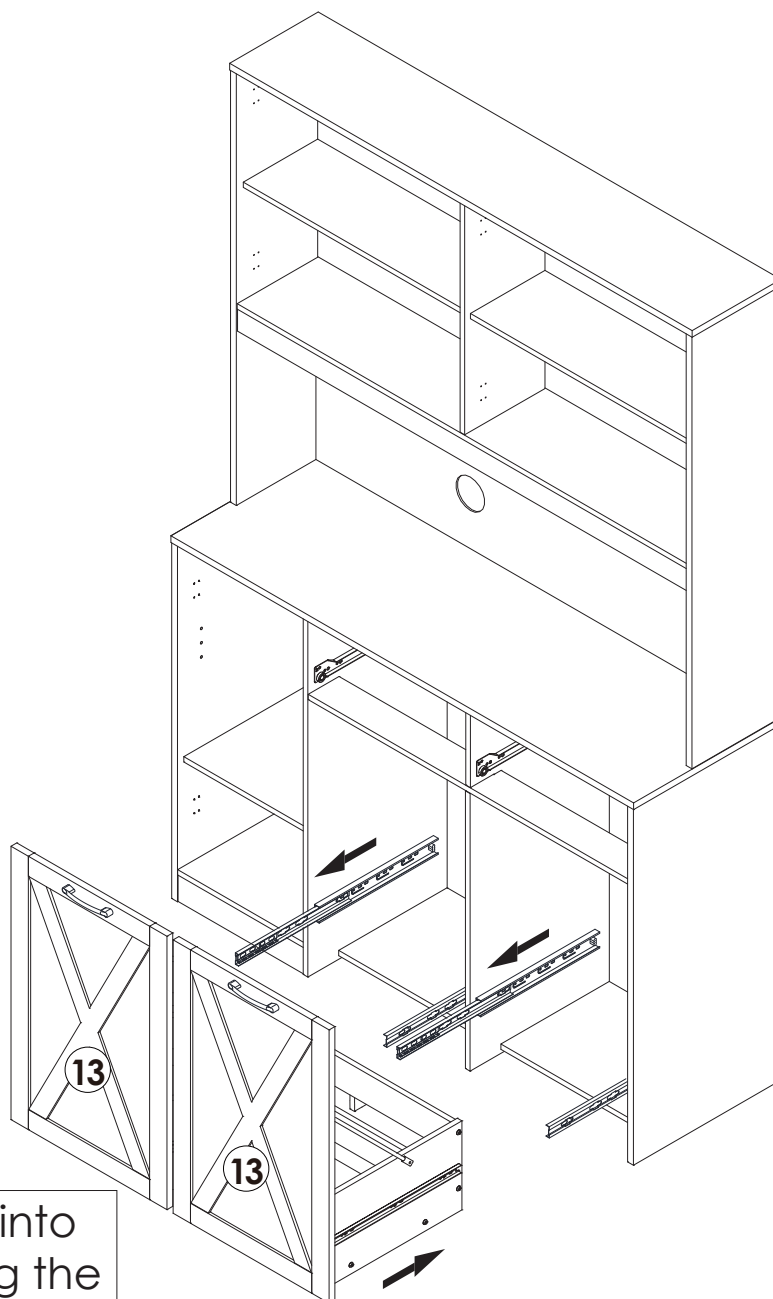
Assembly Steps(EN) / Montageschritte(DE)

STEP 38



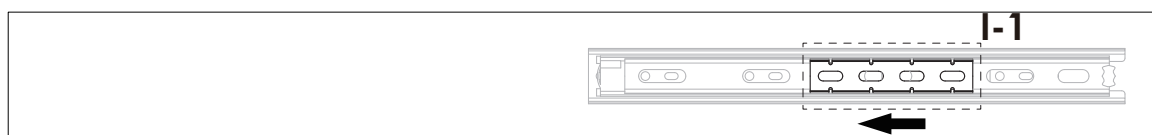
	B x 8PCS
	C x 8PCS

STEP 39

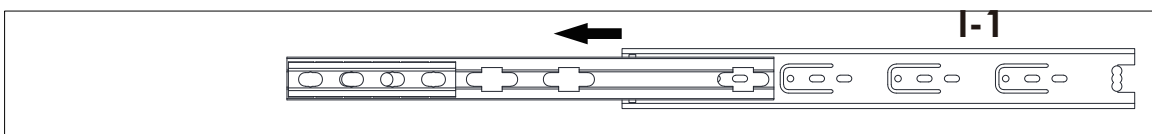


Move the slide rail "I-1" into right place by following the steps above before attaching the drawer to the product.

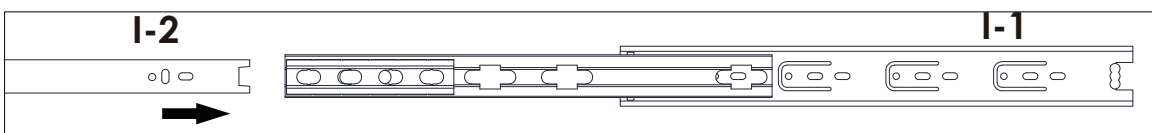
NO.1



NO.2

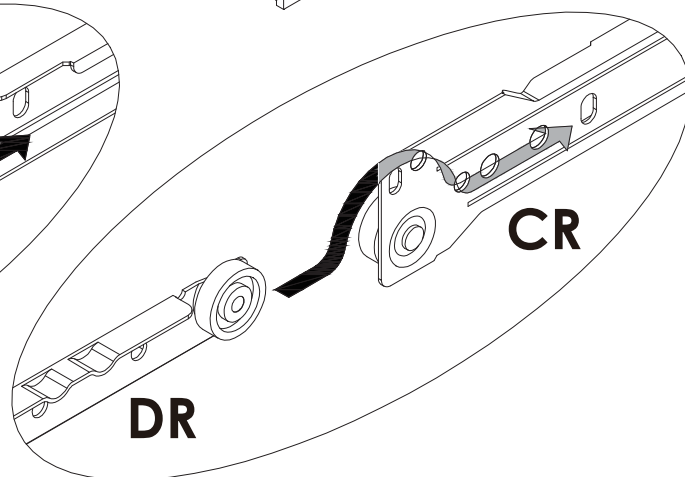
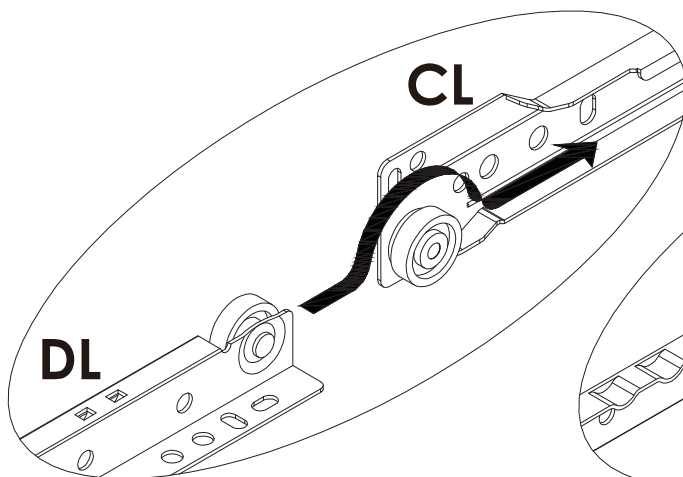
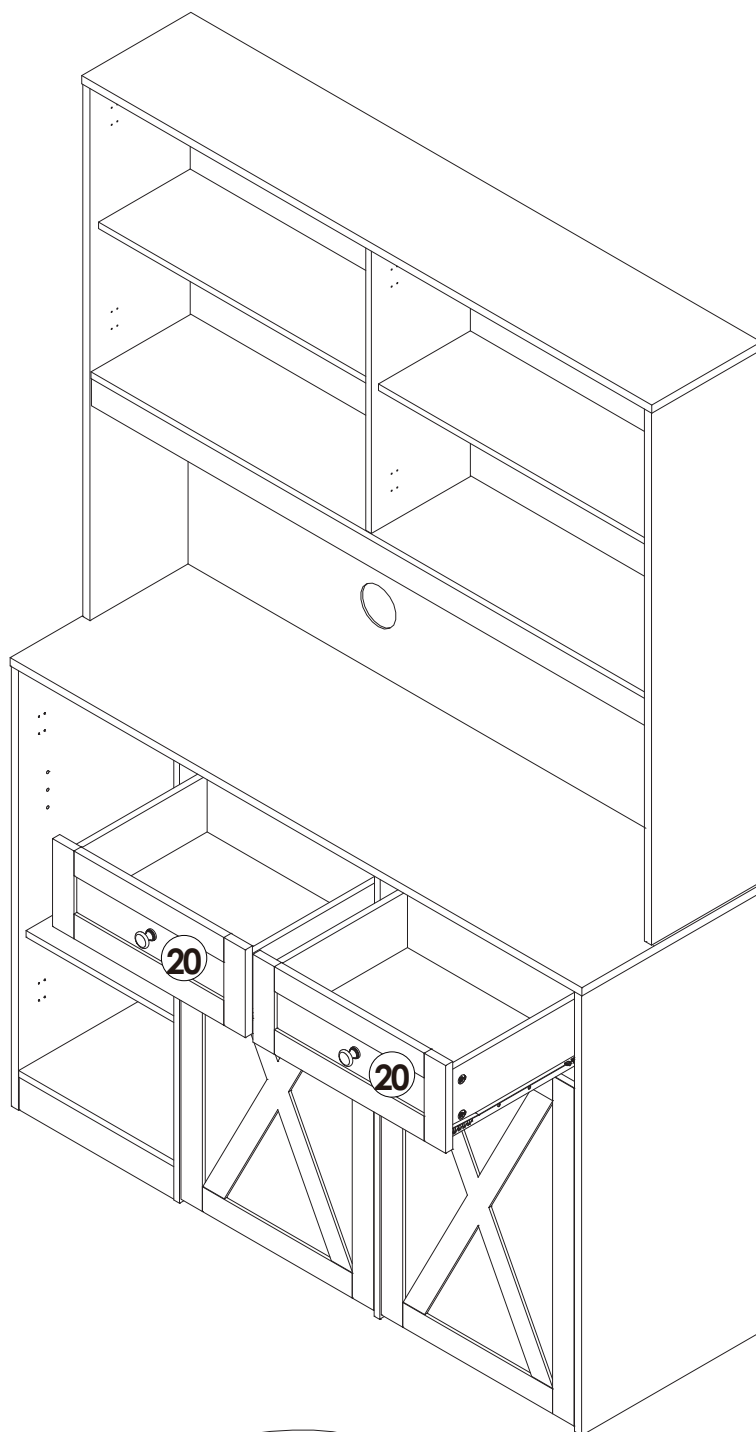


NO.3



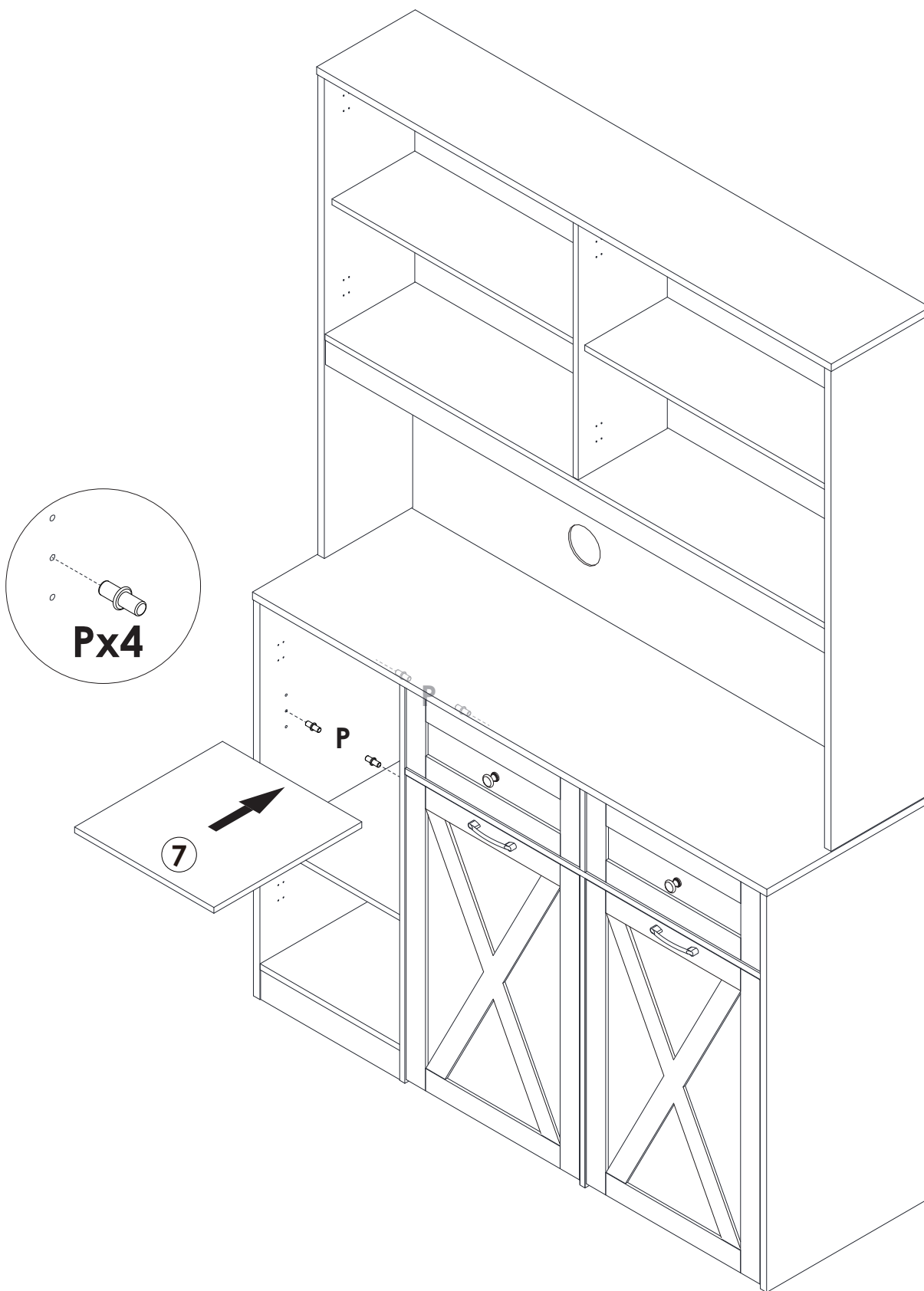
Assembly Steps(EN) / Montageschritte(DE)

STEP 40



Assembly Steps(EN) / Montageschritte(DE)

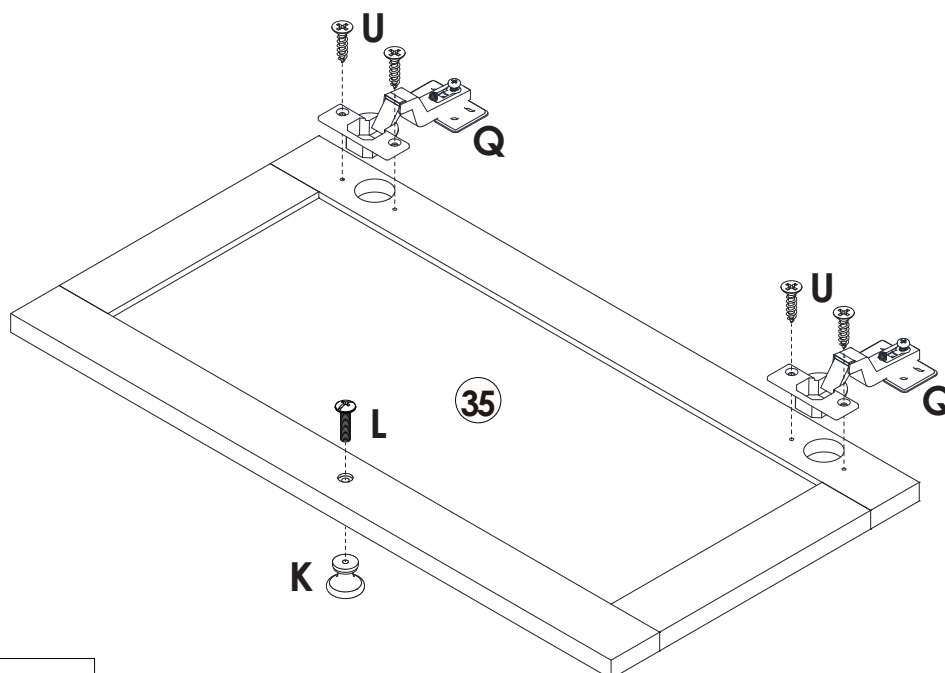
STEP 41







P x 4PCS

Assembly Steps(EN) / Montageschritte(DE)

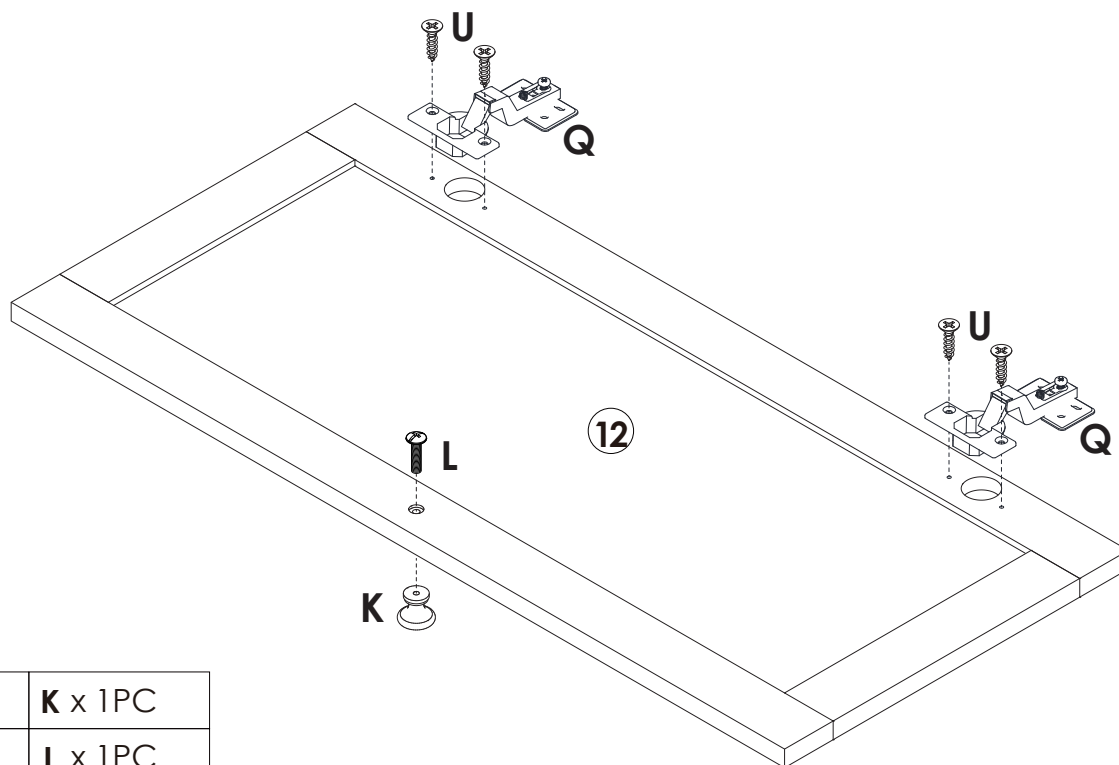
STEP 42







x4

	K x 4PCS
	L x 4PCS
	Q x 8PCS
	U x 16PCS

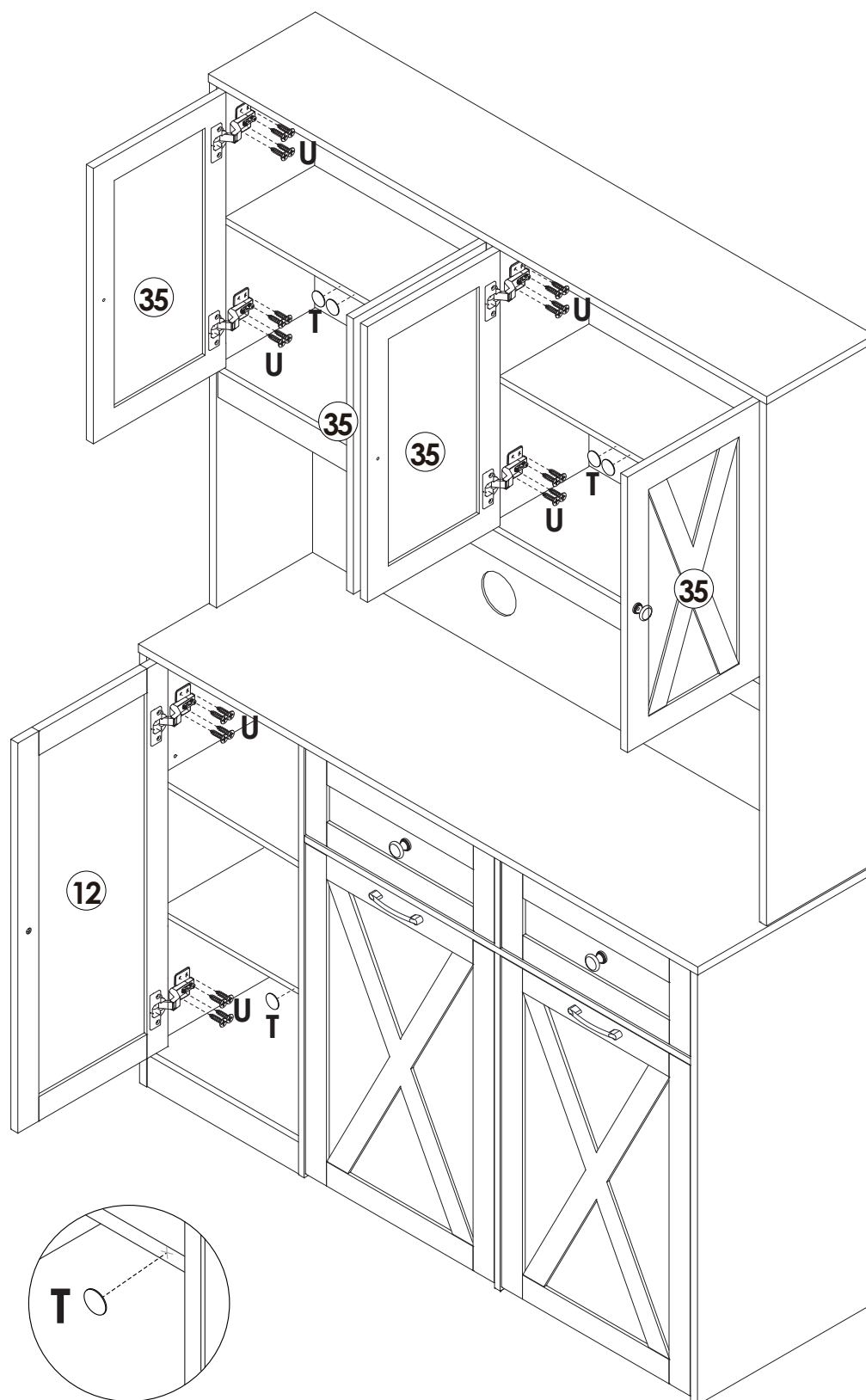
STEP 43





	K x 1PC
	L x 1PC
	Q x 2PCS
	U x 4PCS

Assembly Steps(EN) / Montageschritte(DE)

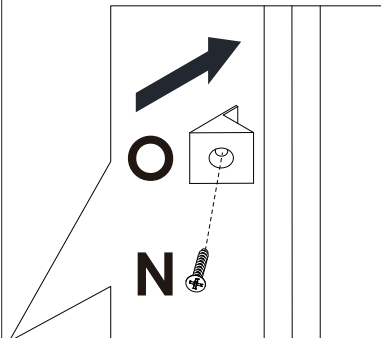
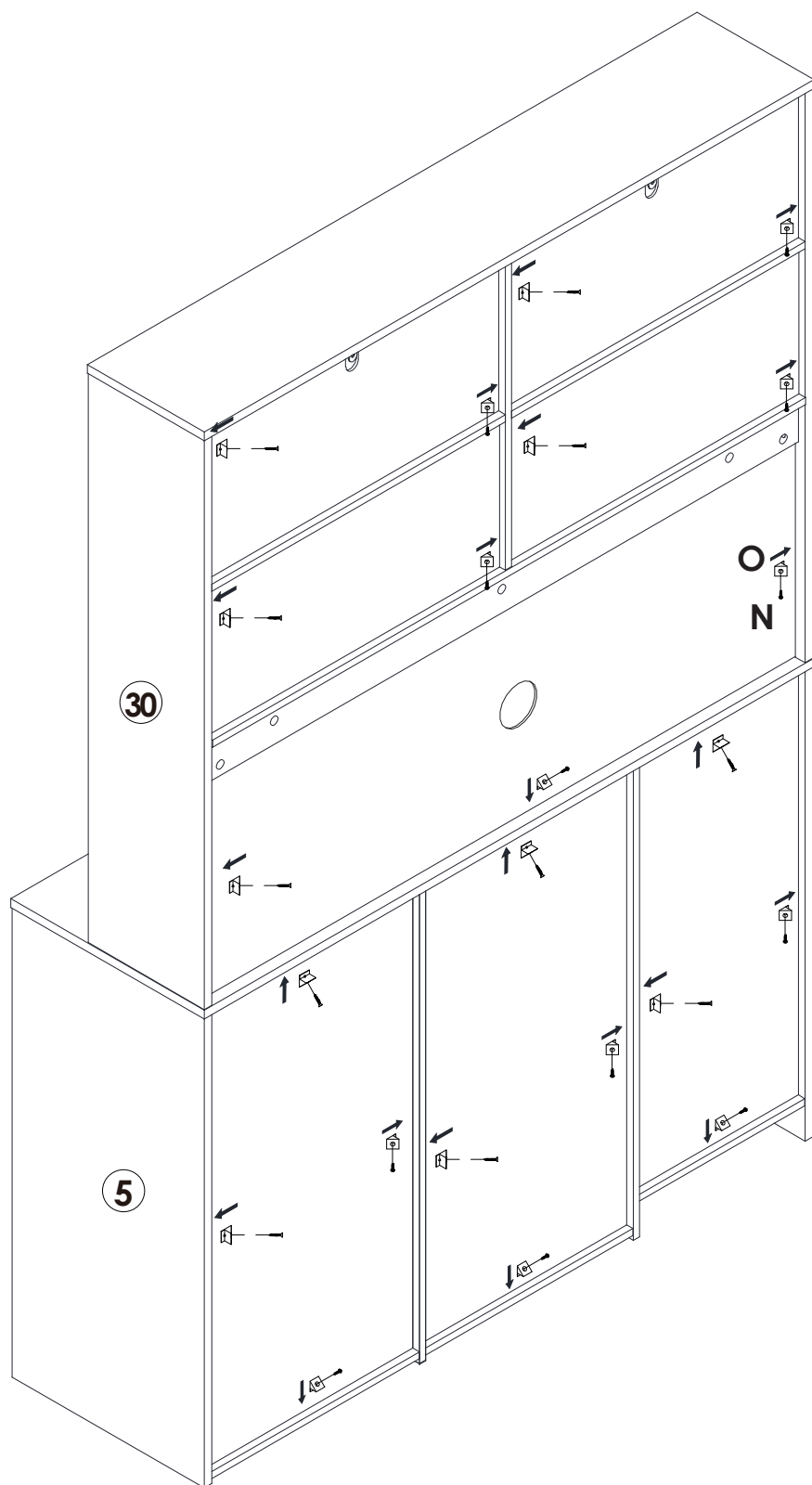
STEP 44





	T x 5PCS
	U x 40PCS

Assembly Steps(EN) / Montageschritte(DE)

STEP 45

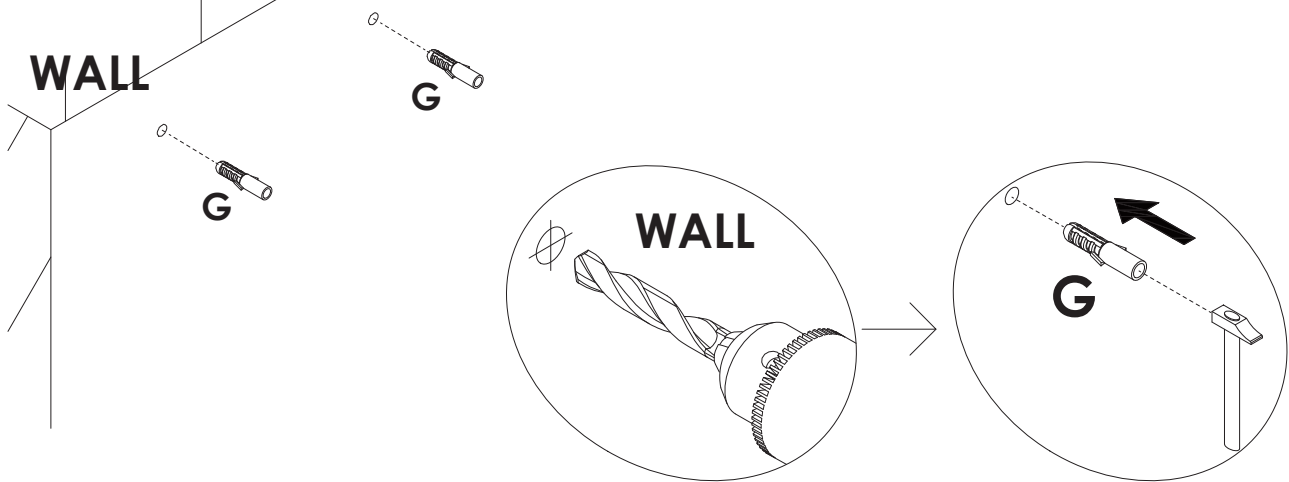


	N x 23PCS
	O x 23PCS

Assembly Steps(EN) / Montageschritte(DE)

STEP 46

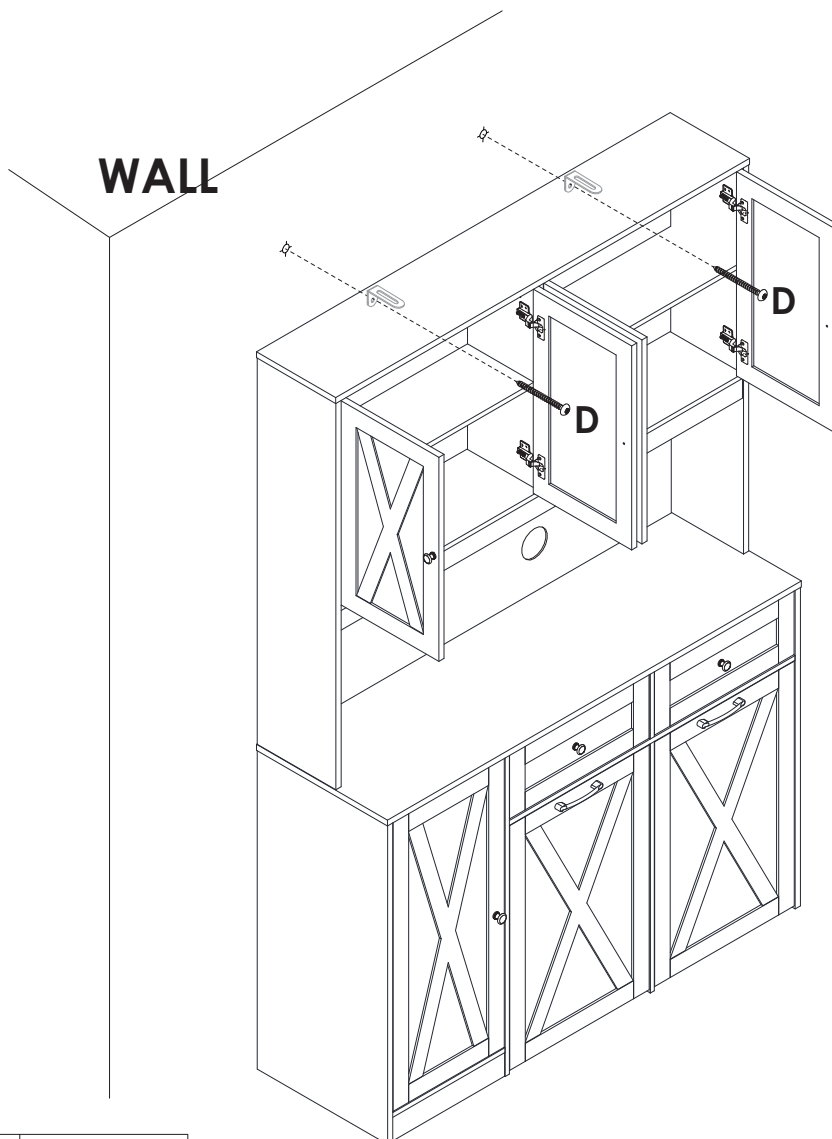
Drill 2 holes on the wall at the required position for anti-falling device installation.



G x 2PCS

STEP 47

Move the cabinet to the required position, use the "D" long screw to fix the cabinet to the wall.

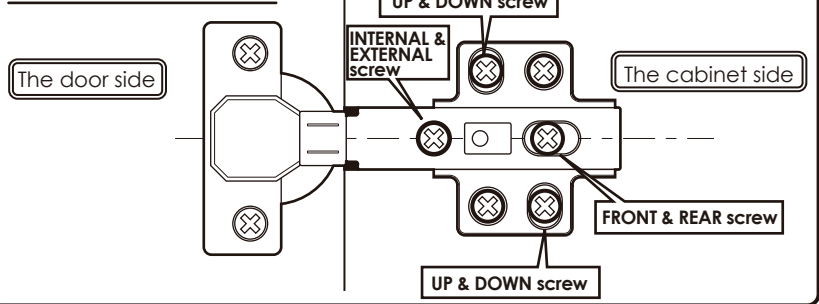


D x 2PCS

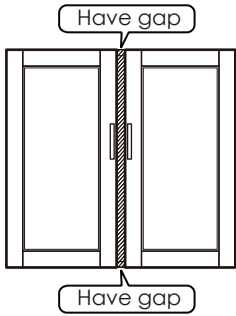
The ways to adjust the door

- Before adjusting the hinge, please check whether the cabinet is skewed.
- If the skew can not be repaired, please remove the anti-tipping device first, then adjust the cabinet to vertical position.
- Please adjust the hinge with the door open.
- Please operate it with more than 2 people, one person holds the door and the other one adjusts the screw.

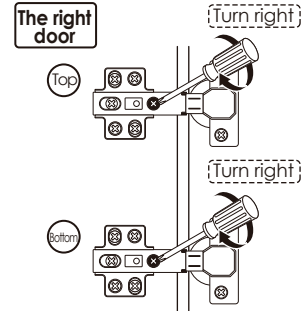
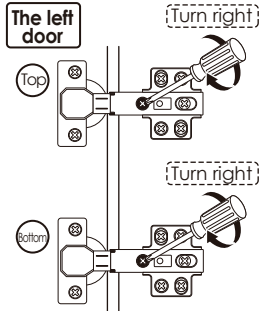
Components Name



Obvious gaps between doors or Doors don't look closed



- 1 Turn "internal & external screw" to the right can make the door approach inside. Please adjust the doors little by little.



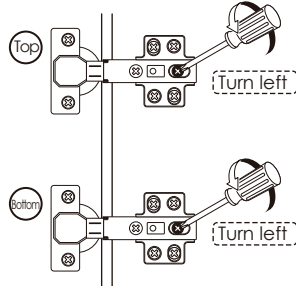
※ If the 2 doors are overlap, please turn the "internal & external screw" to the left.

When door is crooked



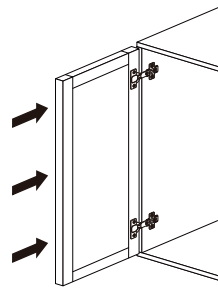
Please take the following steps to adjust first.

- 1 Rotate the "front and rear screws" to the left

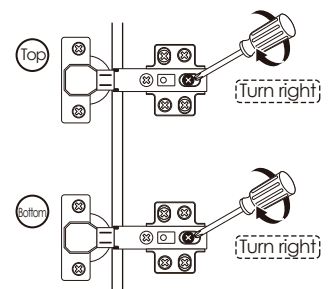


※ After adjusting the "front and rear screw", the door still does not change, please turn the "internal & external screw" to the right slightly.

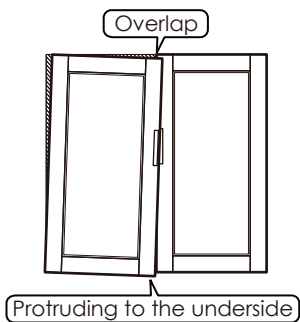
- 2 Push the door to the cabinet



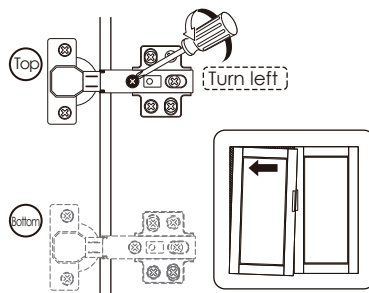
- 3 Rotate the "front and rear screws" to the right



When door is leaning



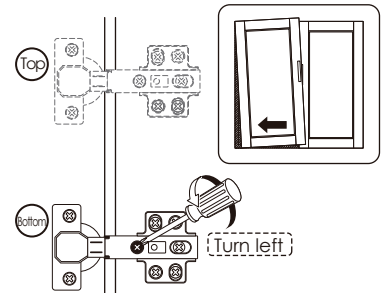
- 1 Turn "internal & external screw" to the left can make the top of the door tilted outward.



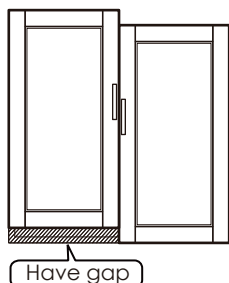
Protruding to the upside



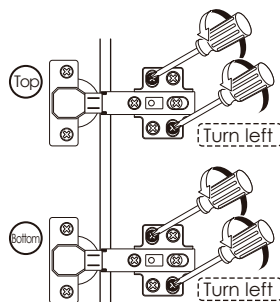
- 1 Turn "internal & external screw" to the left can make the bottom of the door tilted outward.



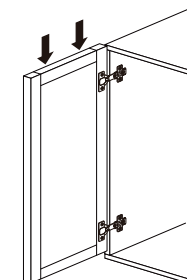
When the door is higher on top



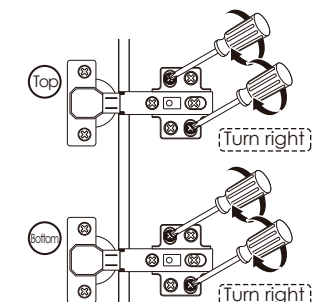
- 1 Turn "up & down screw" to the left



- 2 Lower the door's height so that 2 doors are of the same height.



- 3 Turn "up & down screw" to the right



※ If the door is lower on bottom, please lift up the left door slightly on step 2



WARNING



Children have died from furniture tipover. To reduce the risk of furniture tipover:

- **ALWAYS** install Anti-tip device provided.
- **NEVER** put a TV on this product.
- **NEVER** allow children to stand, climb or hang on any drawers, doors, or shelves.
- **NEVER** open more than one drawer at a time.
- Place heaviest items in the lowest drawers.



***This is a permanent label.
Do not remove!***