




Examine all packaging material for small parts that may have come loose during shipment. Periodic checks are recommended to insure that all components are in proper position, tight and free from damage. Keep this assembly instruction for future reference. Adult assembly is required. This product is designed for residential use only.

## HARDWARE LIST

- A (6) Hex Bolts
- B (6) Spring Washers
- C (1) Spanner Wrench

PART	QTY	HARDWARE	PART	QTY	HARDWARE
A	6		B	6	
C	1				

## PARTS LIST

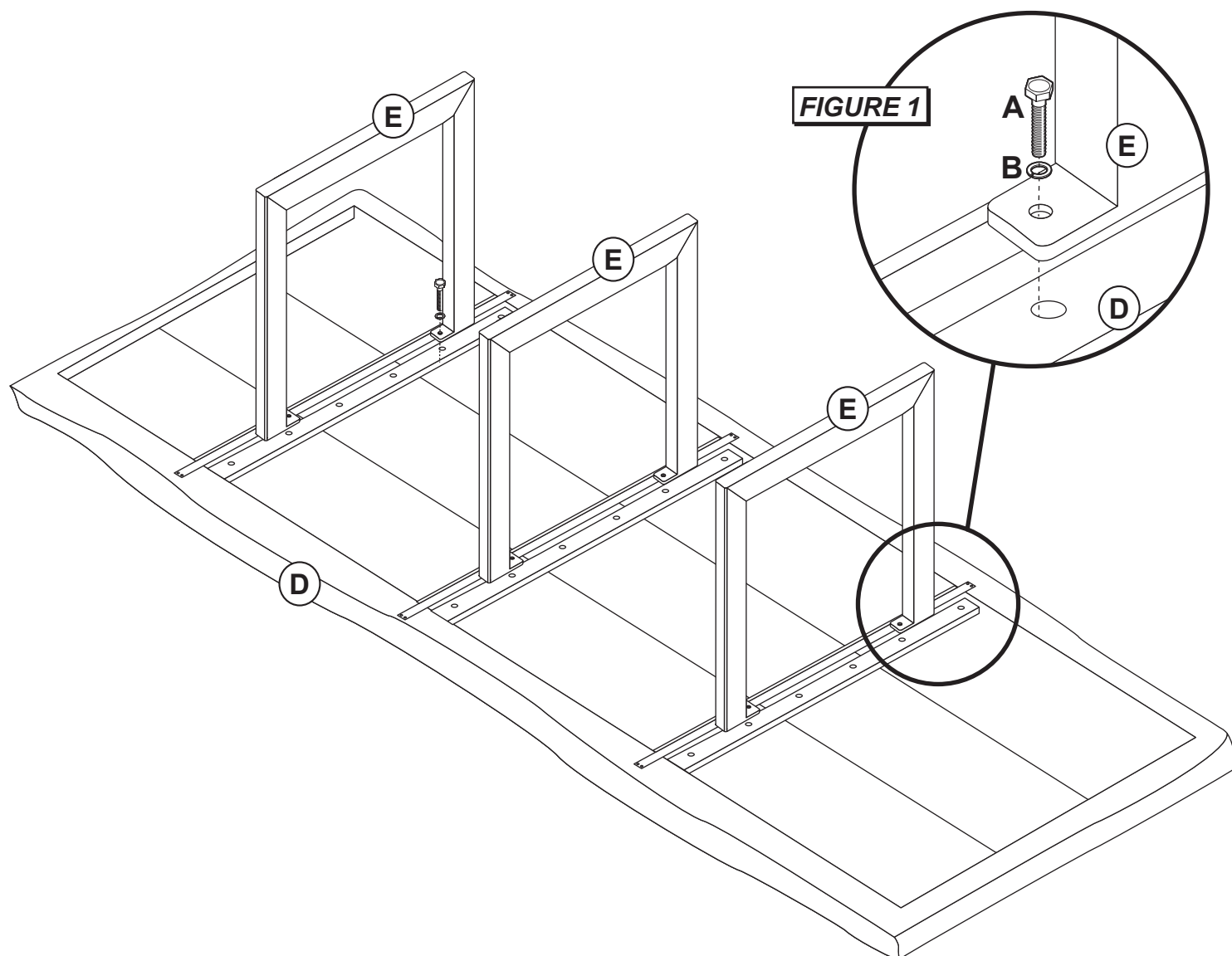
- D (1) Wooden Top
- E (3) Base Legs

### STEP 1

Begin assembly by setting the Wooden Top (D) upside down on a clean smooth surface to protect from scratching.

### STEP 2 - Figure 1

Next attach Base Legs (E) to Wooden Top (D) using 1 Hex Bolt (A), and 1 Spring Washer (B) per leg. Tighten all bolts with Spanner Wrench (C) provided. Return table to upright position. The assembly is now complete.



**CARE & MAINTENANCE:** The touch of a soft cloth is all the maintenance the finish will ever need. Please do not use harsh or abrasive cleaners for polishing, as they may cause damage to the finish. Periodic checks are recommended to make sure that all hardware is securely tightened.