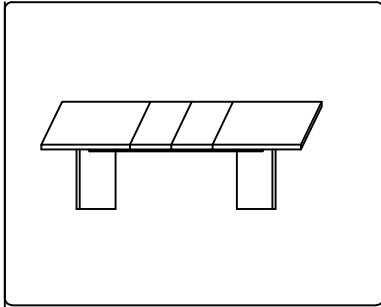
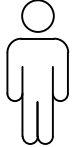


ASSEMBLY INSTRUCTIONS



+ Do Not Use Power Tools **+ Suggested Adults**



NOTE:

- 1 Read instructions cover.
- 2 Save all packaging until assembly is completed.

1 IMPORTANT SAFETY INFORMATION

Do not assemble the product if any of the following parts arrived damaged:

- Part # - Table Top (1pc)
- Part # - Table leaf (2pcs)
- Part # - Table base (2pcs)

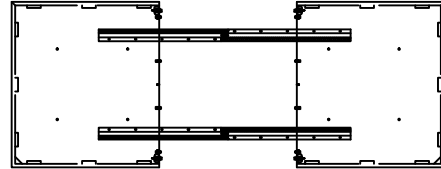
2 IMPORTANT ASSEMBLY INFORMATION

Assembly Step Use ABCD to connect ② to ①, then use ABCD to connect ③ to ①.

***Warning:** Do not over tighten screws, or it could damage the Table Top.

+ Parts Included

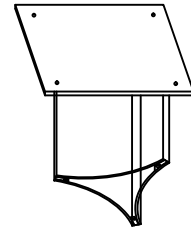
- ① Table Top (1pc)



- ② Table leaf (2pcs)

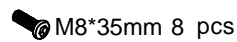


- ③ Table base (2pcs)



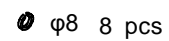
+ Hardware Included

A Allen Bolt



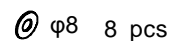
M8*35mm 8 pcs

B Spring Washer



φ8 8 pcs

C Flat Washer



@ φ8 8 pcs

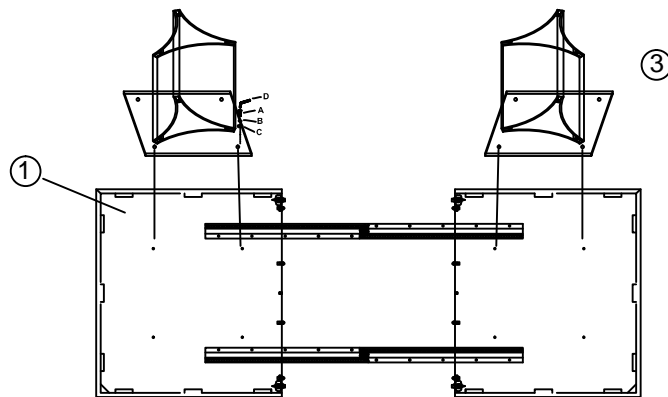
D Allen Wrench



M6 1pc

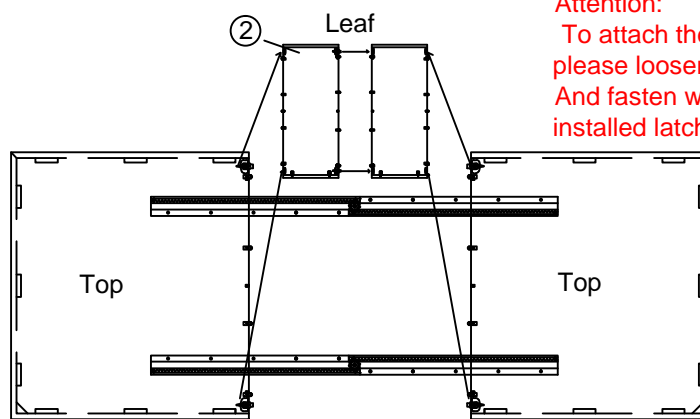
ASSEMBLY INSTRUCTIONS

1



Note: Do not over tighten screws

2



Note: Do not over tighten screws

3

