

ASSEMBLY INSTRUCTION

Thank you for purchasing this quality product. Be sure to check all packing material carefully for small parts which may have come loose inside the carton during shipment. Separate, identify and count all parts and hardware. Compare with the parts list to be sure all parts are present.

IMPORTANT : PLEASE READ INSTRUCTION BEFORE STARTING THE ASSEMBLY.

"DO NOT TIGHTEN SCREWS UNTIL COMPLETELY ASSEMBLED"

"DO NOT OVERTIGHT ANY HARDWARE"

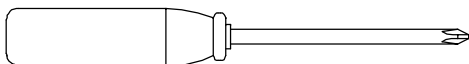
WARNING : SMALL PARTS AND HARDWARE NOT FOR CHILDREN UNDER 3 YEARS. ADULT ASSEMBLY REQUIRED.

TABLE OF CONTENTS

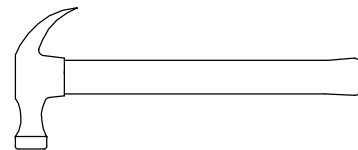
HARDWARES LIST	PAGE 2
PARTS LIST	PAGE 3 - 4
PARTS' LOCATION	PAGE 5
ASSEMBLY STEPS	PAGE 6 - 17
ASSEMBLY COMPLETED	PAGE 18
ANTI-TIPPING INSTALLMENT INSTRUCTIONS	PAGE 19
PAY ATTENTION ITEMS	PAGE 20

ASSEMBLY TOOLS REQUIRED

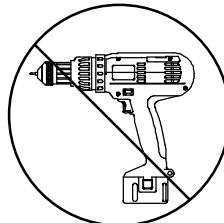
1. Screwdriver (not provide)



2. Hammer (not provide)


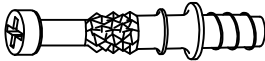


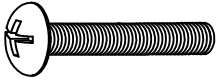
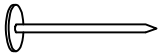




Skip the power trip this time.




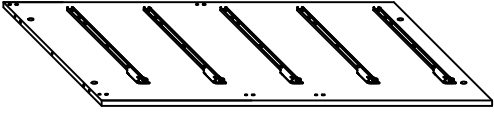
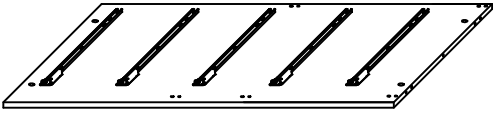
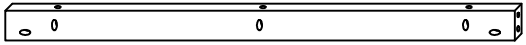
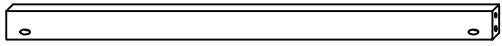

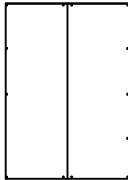
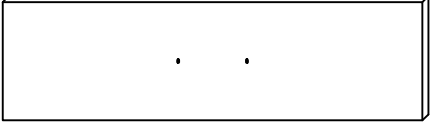

ASSEMBLY INSTRUCTION

HARDWARES LIST

ITEM	DESCRIPTION	DRAWING	QTY
A	MINIFIX CAM LOCK		44 PCS
B	MINIFIX CAM BOLT		44 PCS
C	WOOD DOWEL (M8 x 25MM)		22 PCS
D	WOOD DOWEL (M6 x 25MM)		60 PCS
E	TRUSS M-SCREW (20MM)		10 PCS
F	6/8" NAIL		14 PCS
G	HANDLE		5 PCS
H	CSK C/B SCREW (M4 x 25MM)		10 PCS


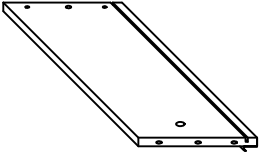
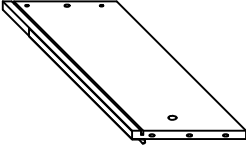
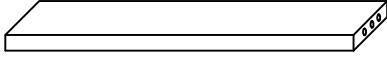

ASSEMBLY INSTRUCTION

PARTS LIST

ITEM	DESCRIPTION	DRAWING	QTY
C1	TOP PANEL		1 PC
C2	LEFT PANEL		1 PC
C3	RIGHT PANEL		1 PC
C4	LEFT & RIGHT SUPPORT RAIL		2 PCS
C5	CENTRE SUPPORT RAIL		3 PCS
C6	BOTTOM PANEL		1 PC
C7	BACK PANEL		1 PC
C8	DRAWER HEAD		5 PCS
C9	DRAWER BACK PANEL		5 PCS

ASSEMBLY INSTRUCTION

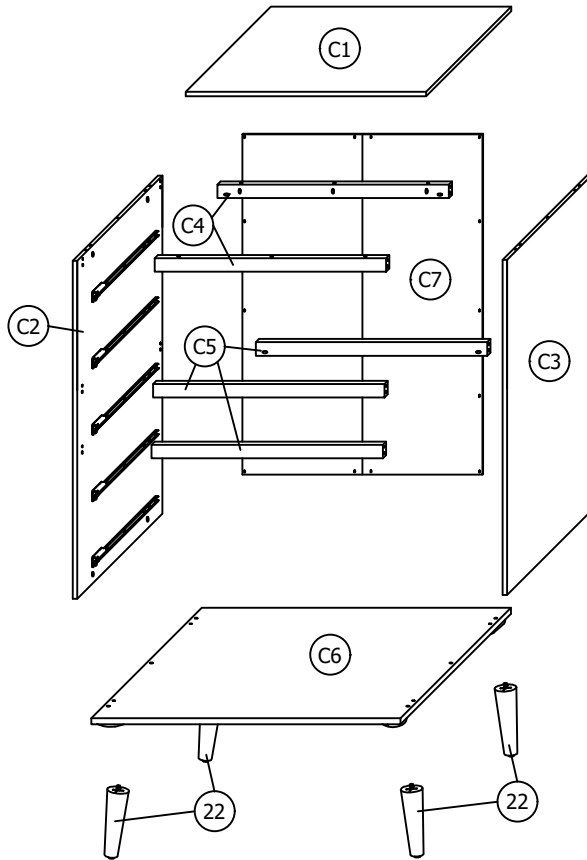
PARTS LIST

ITEM	DESCRIPTION	DRAWING	QTY
C10	DRAWER BOTTOM PANEL		5 PCS
19	DRAWER LEFT PANEL		5 PCS
20	DRAWER RIGHT PANEL		5 PCS
21	DRAWER BOTTOM SUPPORT RAIL		5 PCS
22	SUPPORT LEG		4 PCS

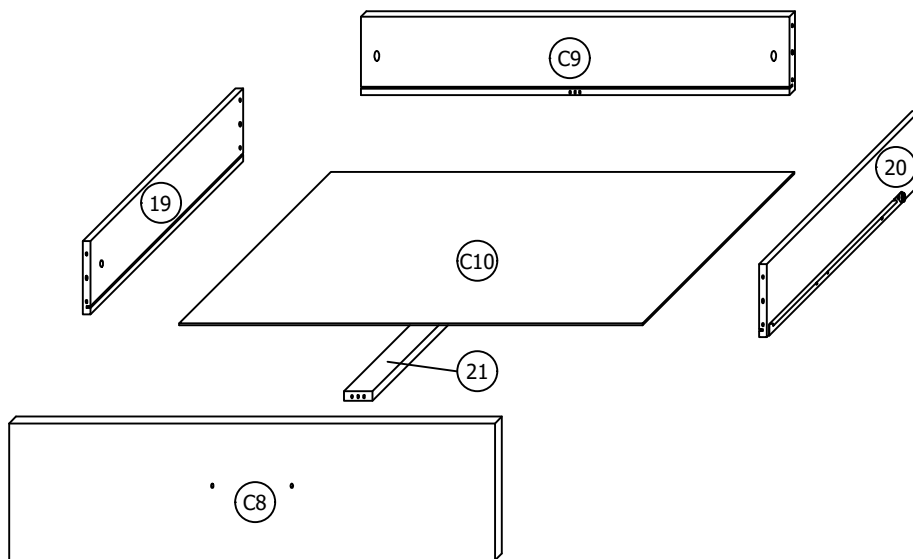
ASSEMBLY INSTRUCTION

PARTS ' LOCATION

CHEST x 1 PC



DRAWER x 5 PCS

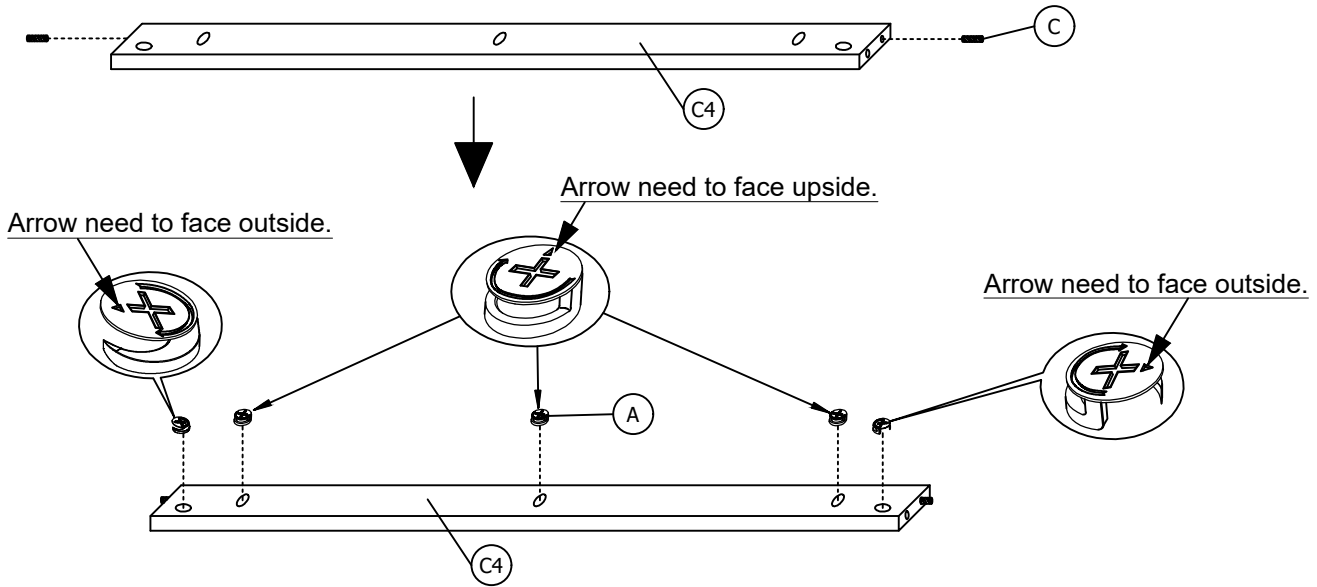


ASSEMBLY INSTRUCTION

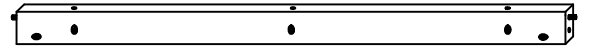
ASSEMBLY STEPS

STEP 1

Insert 5 pieces (A) and 2 pieces (C) to (C4) as shown. This step needs to be **done twice**.

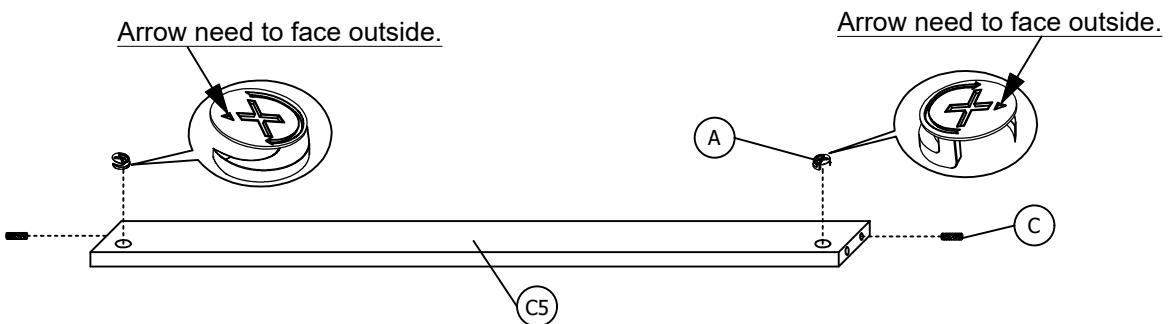


Assembled become like this

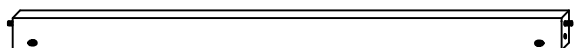


STEP 2

Insert 2 pieces (A) and 2 pieces (C) to (C5) as shown. This step needs to be **done three times**.



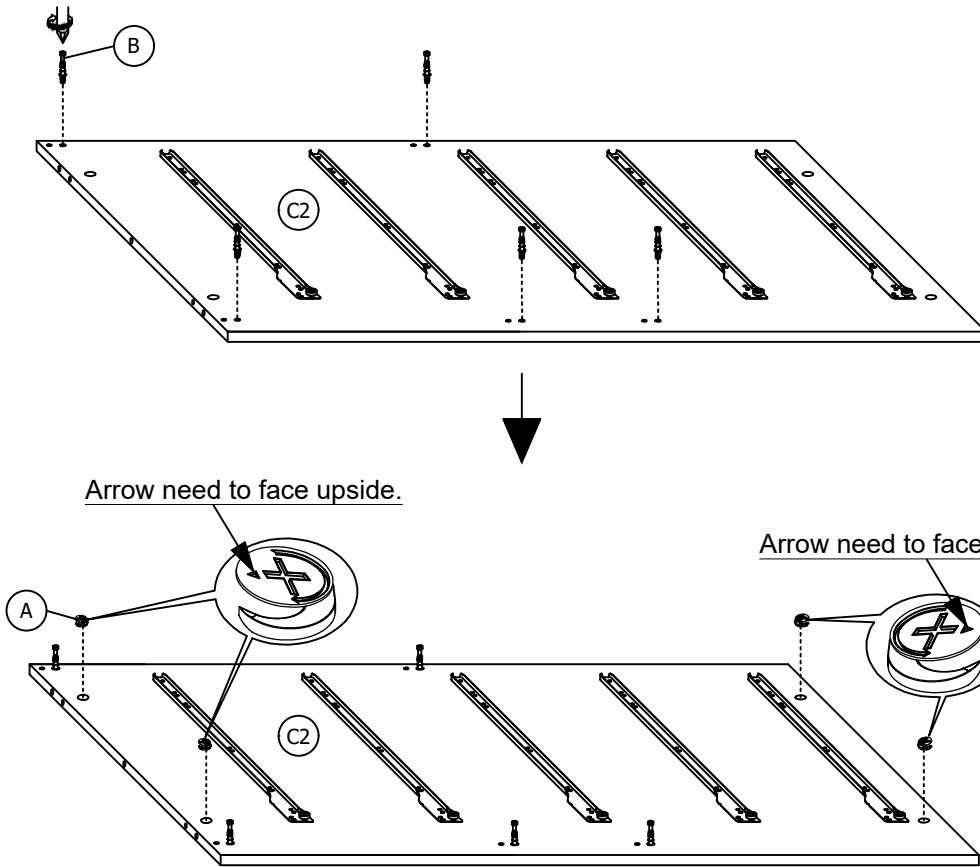
Assembled become like this



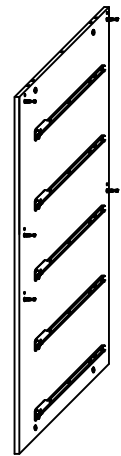
ASSEMBLY INSTRUCTION

STEP 3

Insert 4 pieces (A) and 5 pieces (B) to the (C2) as shown.

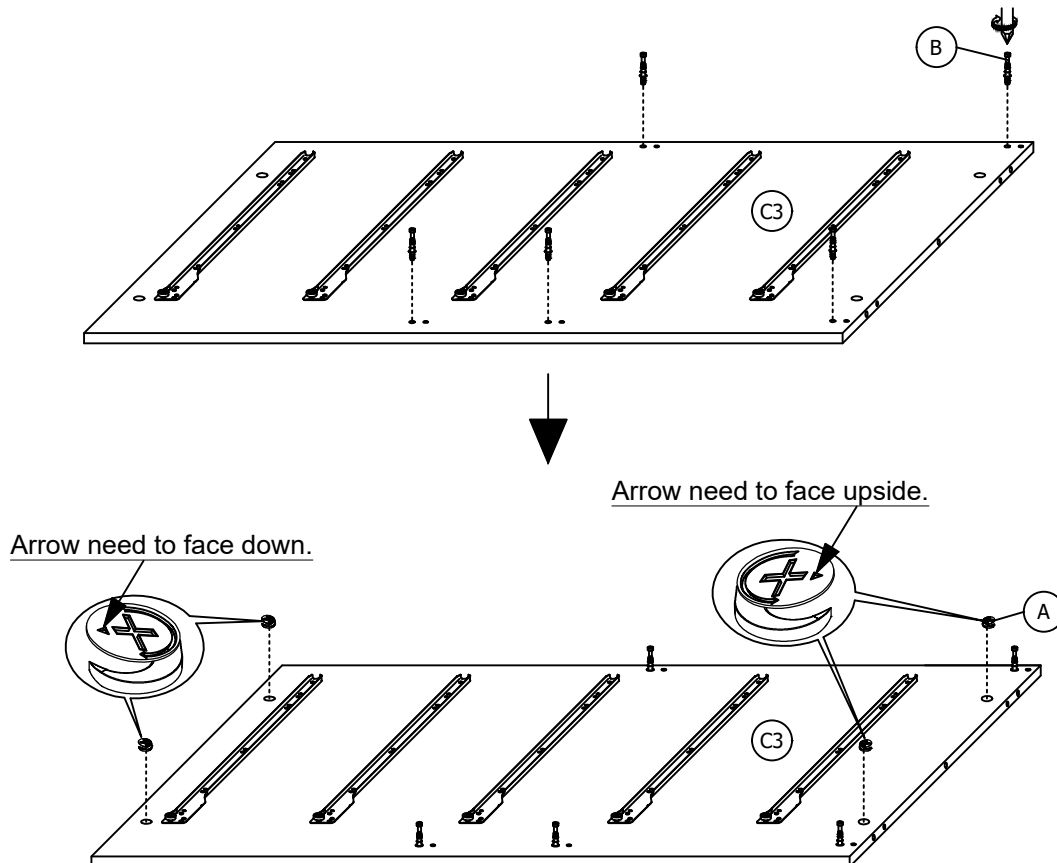


Assembled become like this

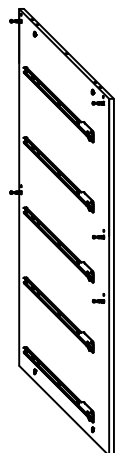


STEP 4

Insert 4 pieces (A) and 5 pieces (B) to the (C3) as shown.



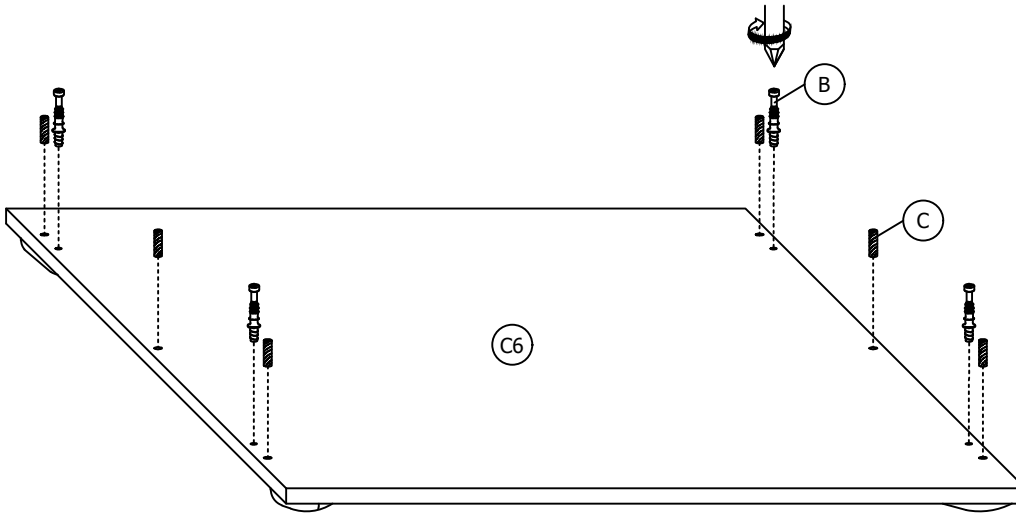
Assembled become like this



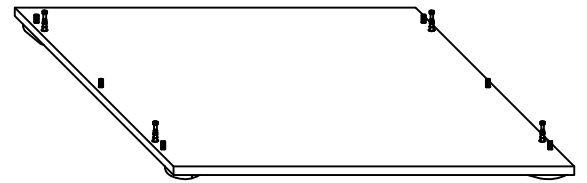
ASSEMBLY INSTRUCTION

STEP 5

Insert 4 pieces (B) and 6 pieces (C) to the (C6) as shown.

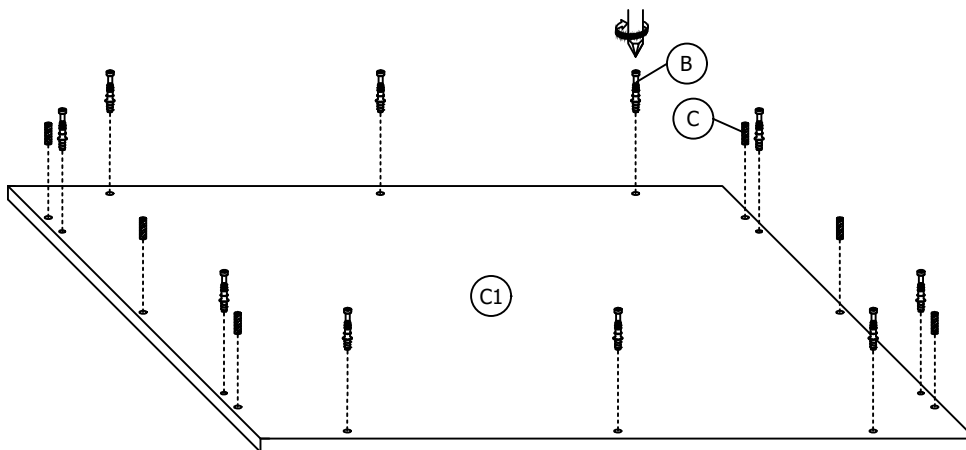


Assembled become like this

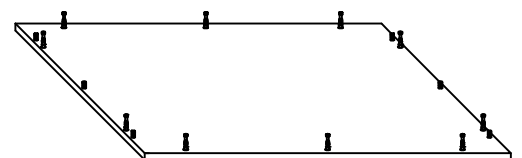


STEP 6

Insert 10 pieces (B) and 6 pieces (C) to the (C1) as shown.



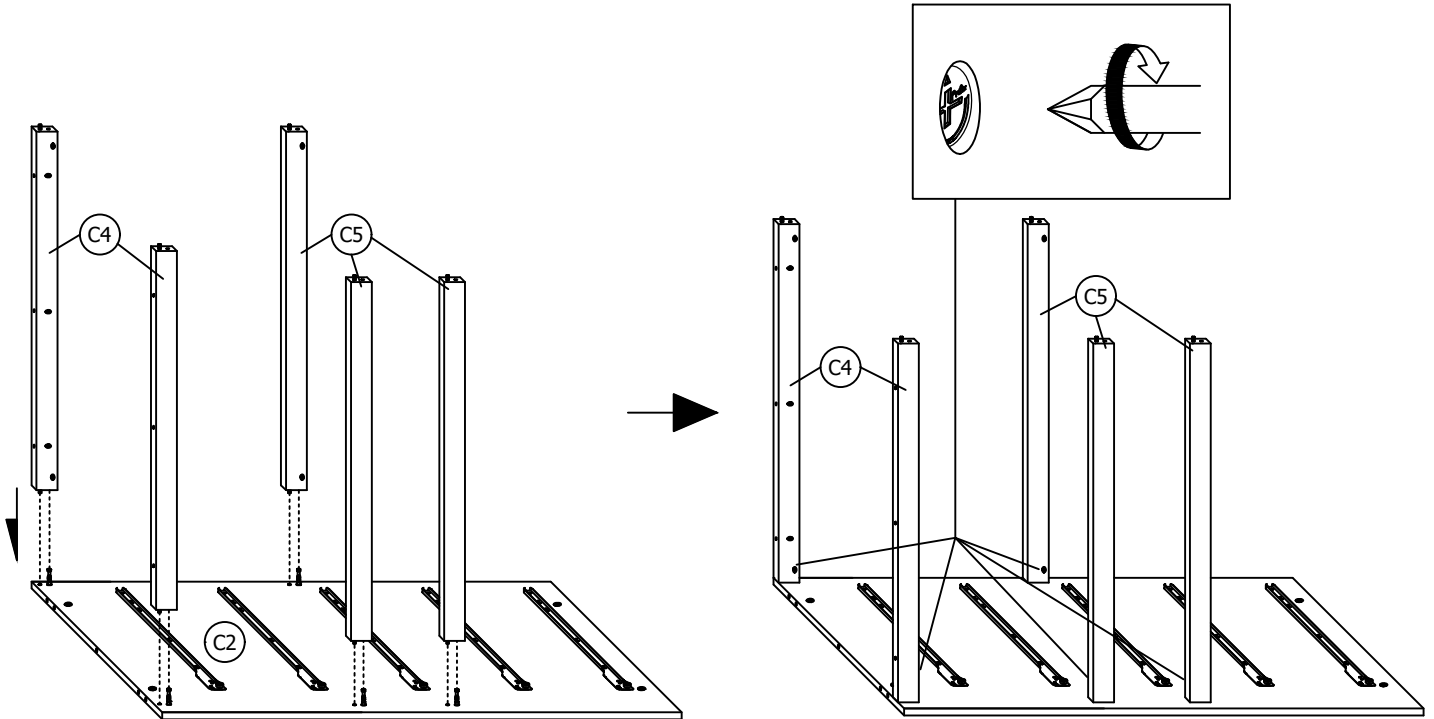
Assembled become like this



ASSEMBLY INSTRUCTION

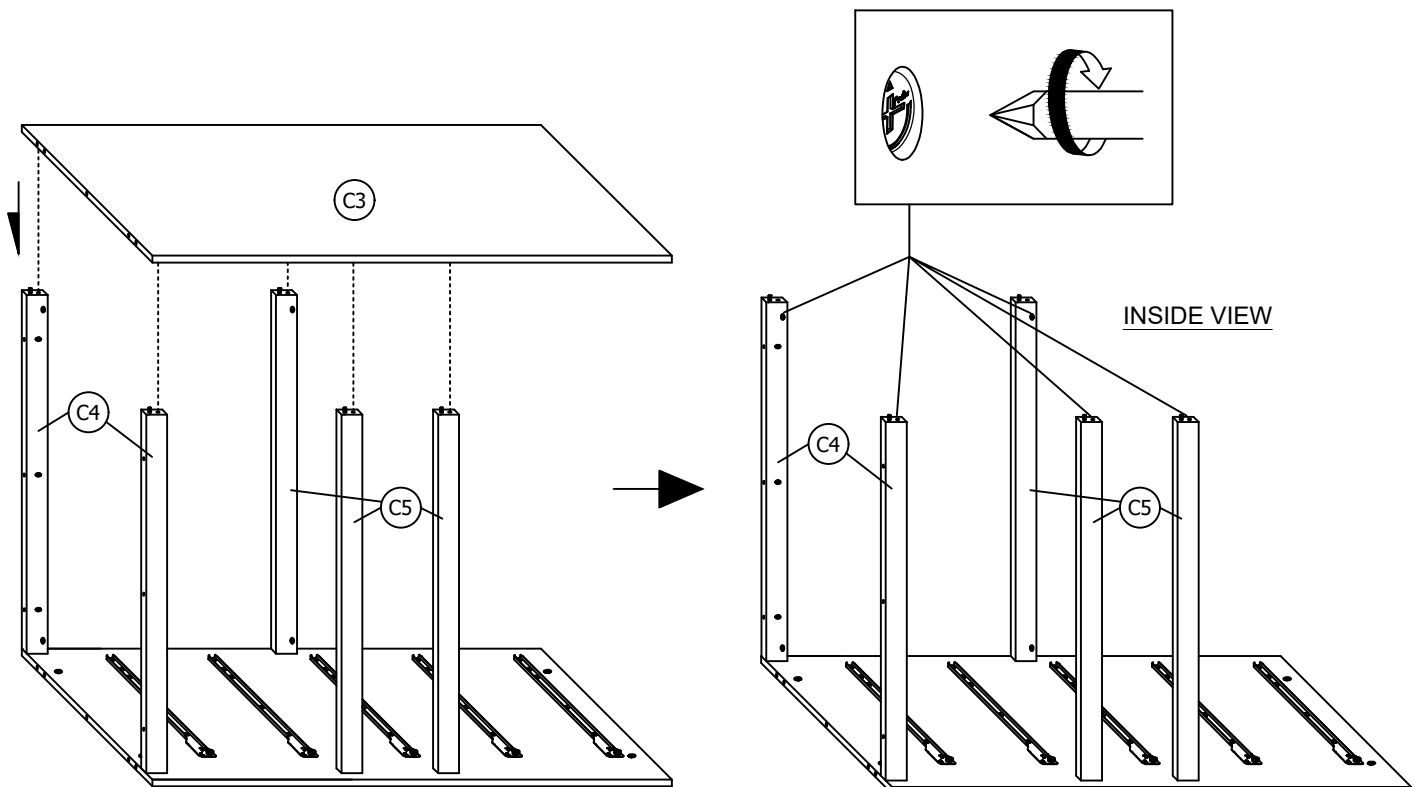
STEP 7

Combine the (C4) and (C5) to the (C2) then tighten the 5 pieces (A)-(pre insert in step 1 and 2) as shown.



STEP 8

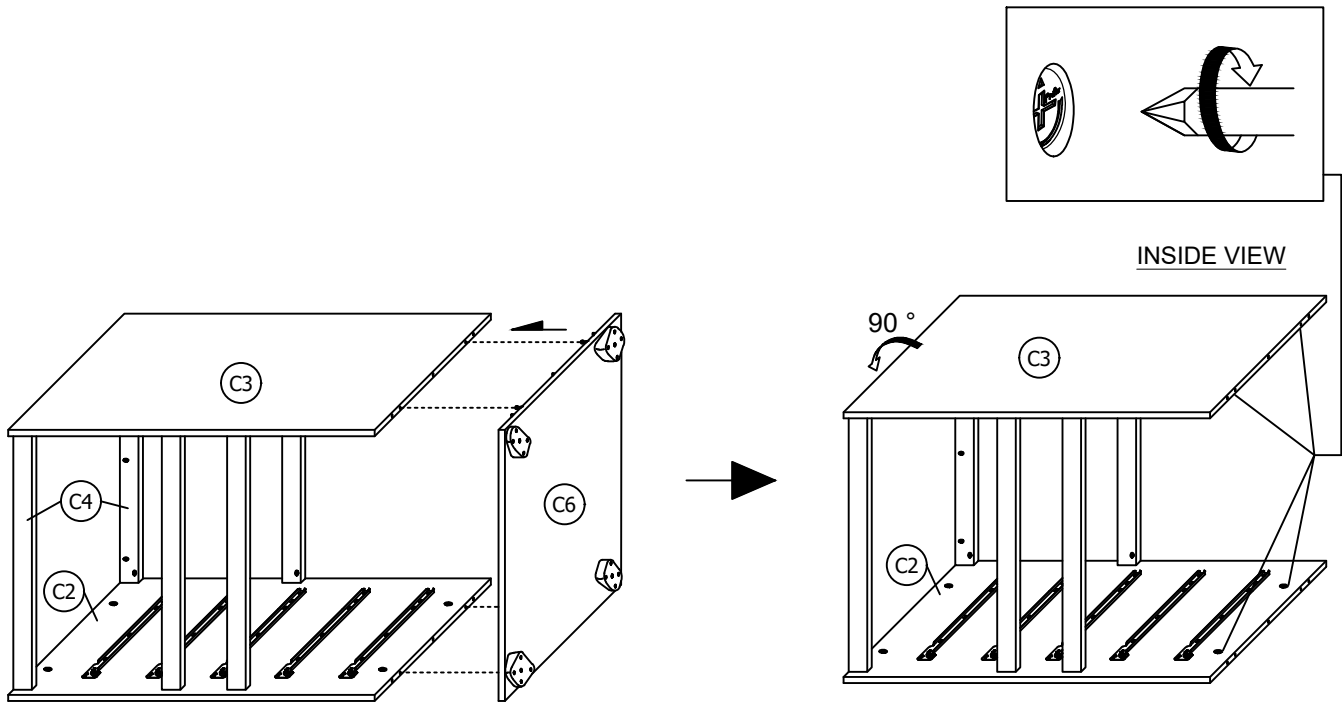
Combine the (C3) to the (C4) and (C5) then tighten the another 5 pieces (A)-(pre insert in step 1 and 2) as shown.



ASSEMBLY INSTRUCTION

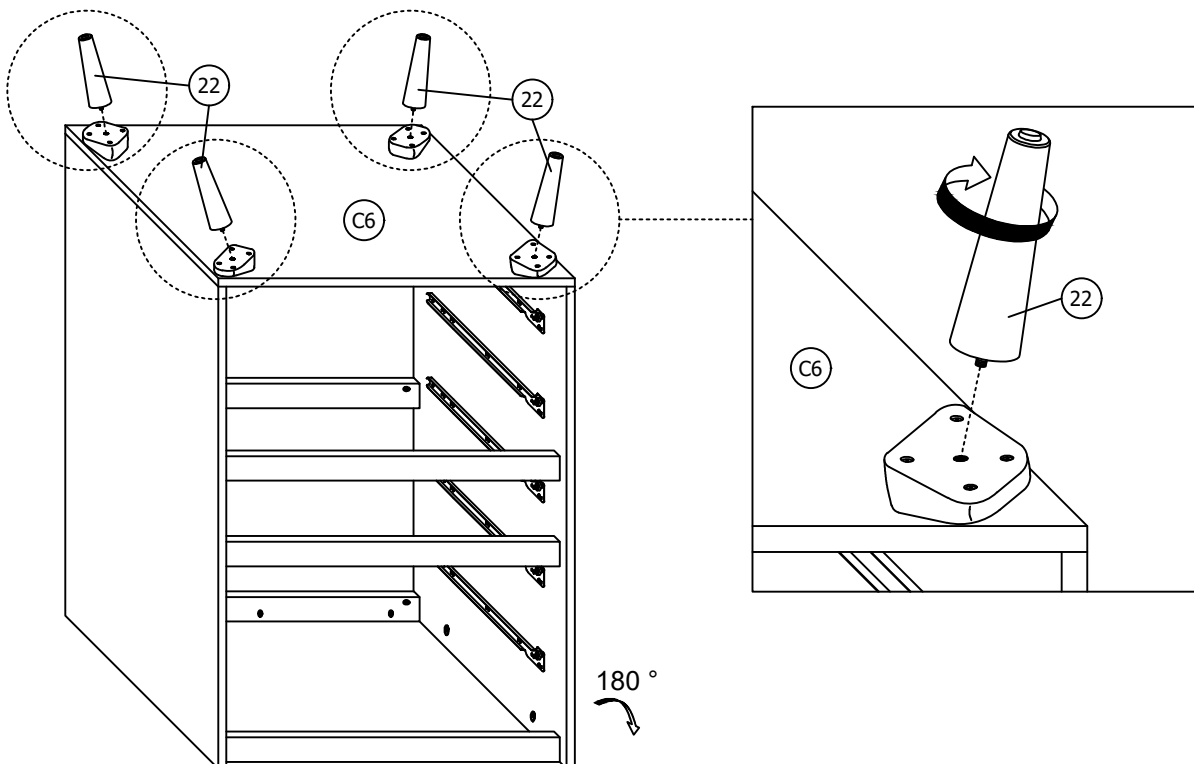
STEP 9

Combine the (C6) to the (C2) and (C3) (A)-(pre insert in step 3 and 4) as shown.



STEP 10

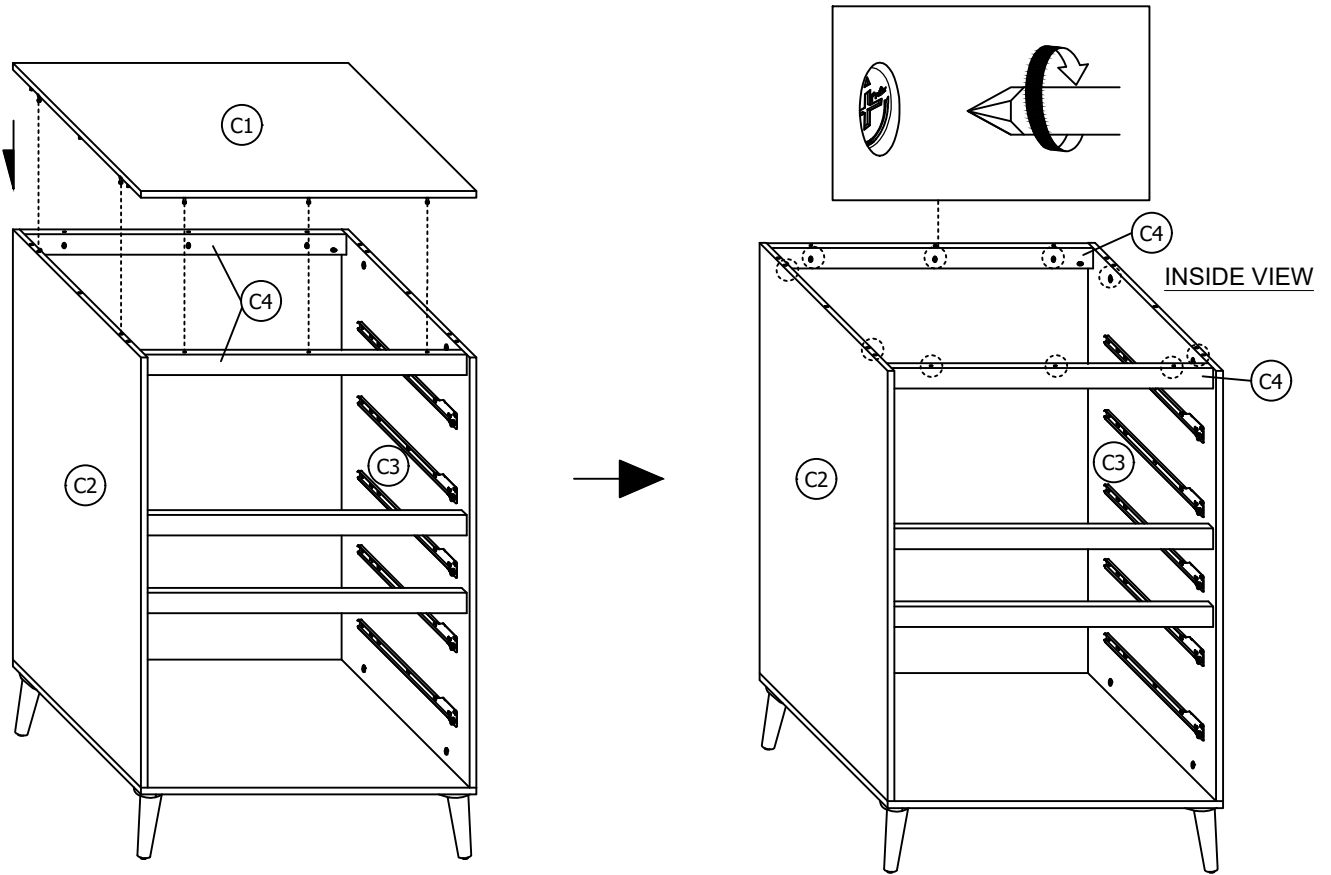
Turn (22) clockwise to combine it to the plastic which located at bottom of the (C6) as shown.



ASSEMBLY INSTRUCTION

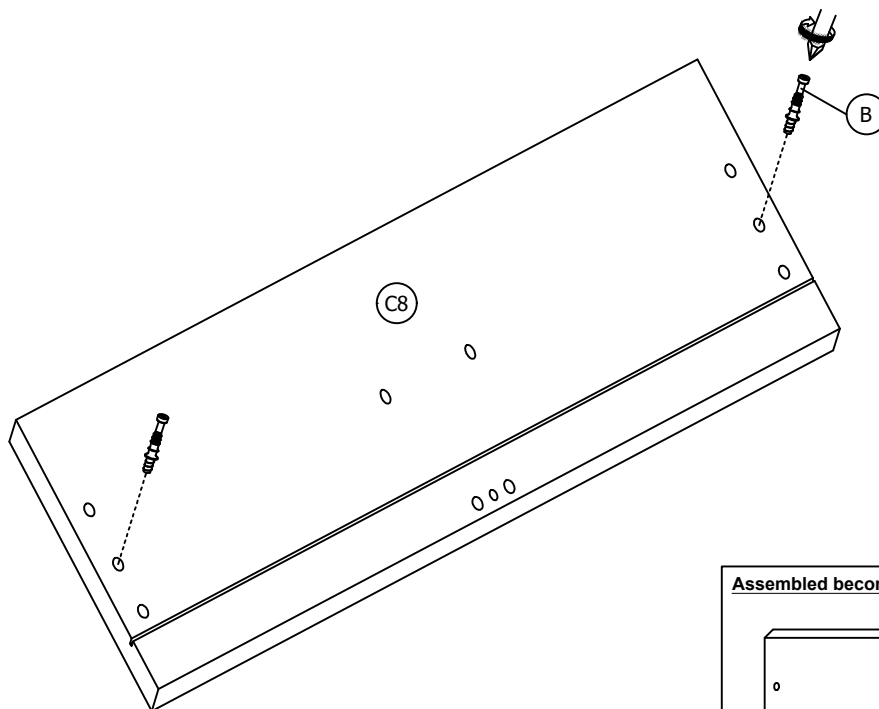
STEP 11

Combine the (C1) to the frame then tighten the remaining 10 pieces (A)-(pre insert in step 1,3 and 4) as shown.

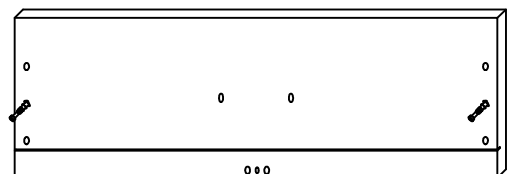


STEP 12

Insert 2 pieces (B) to the (C8) as shown. This step needs to be **done five times**.



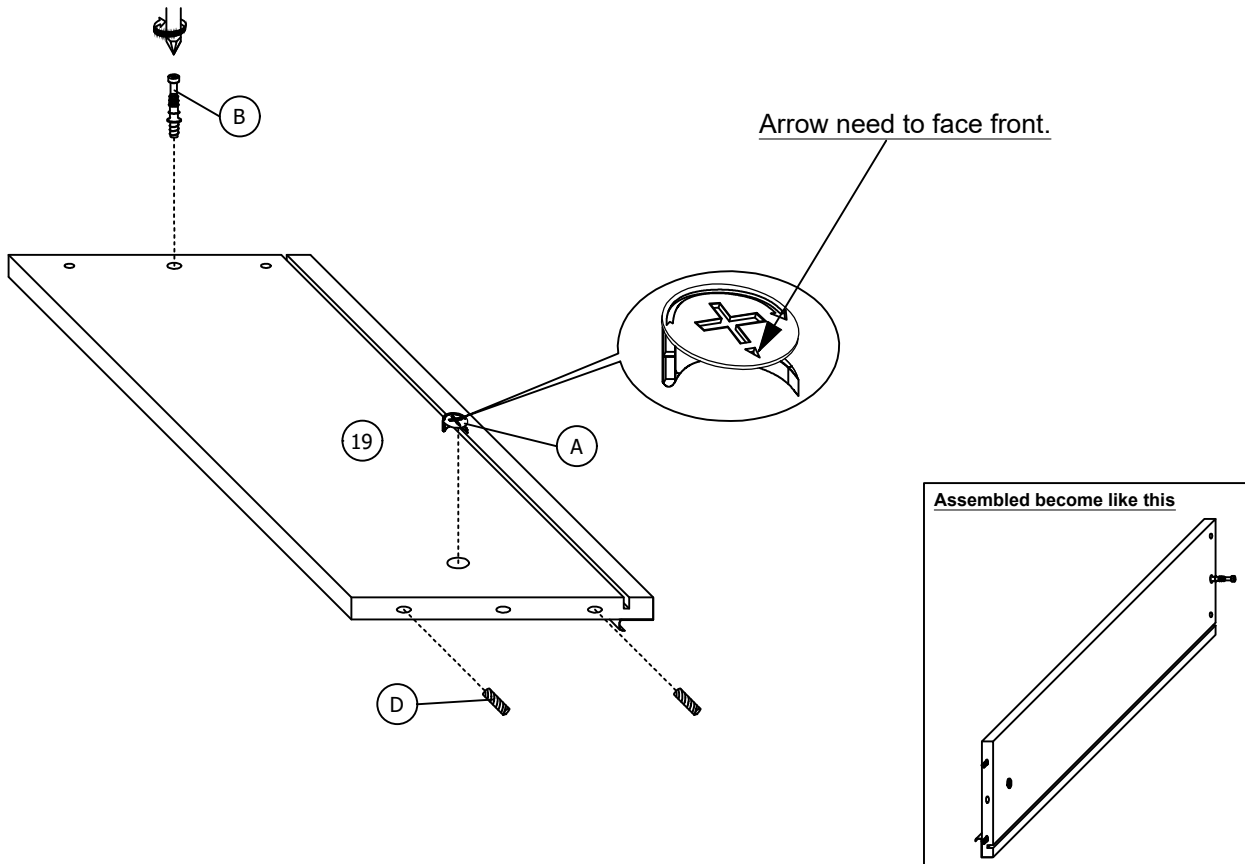
Assembled become like this



ASSEMBLY INSTRUCTION

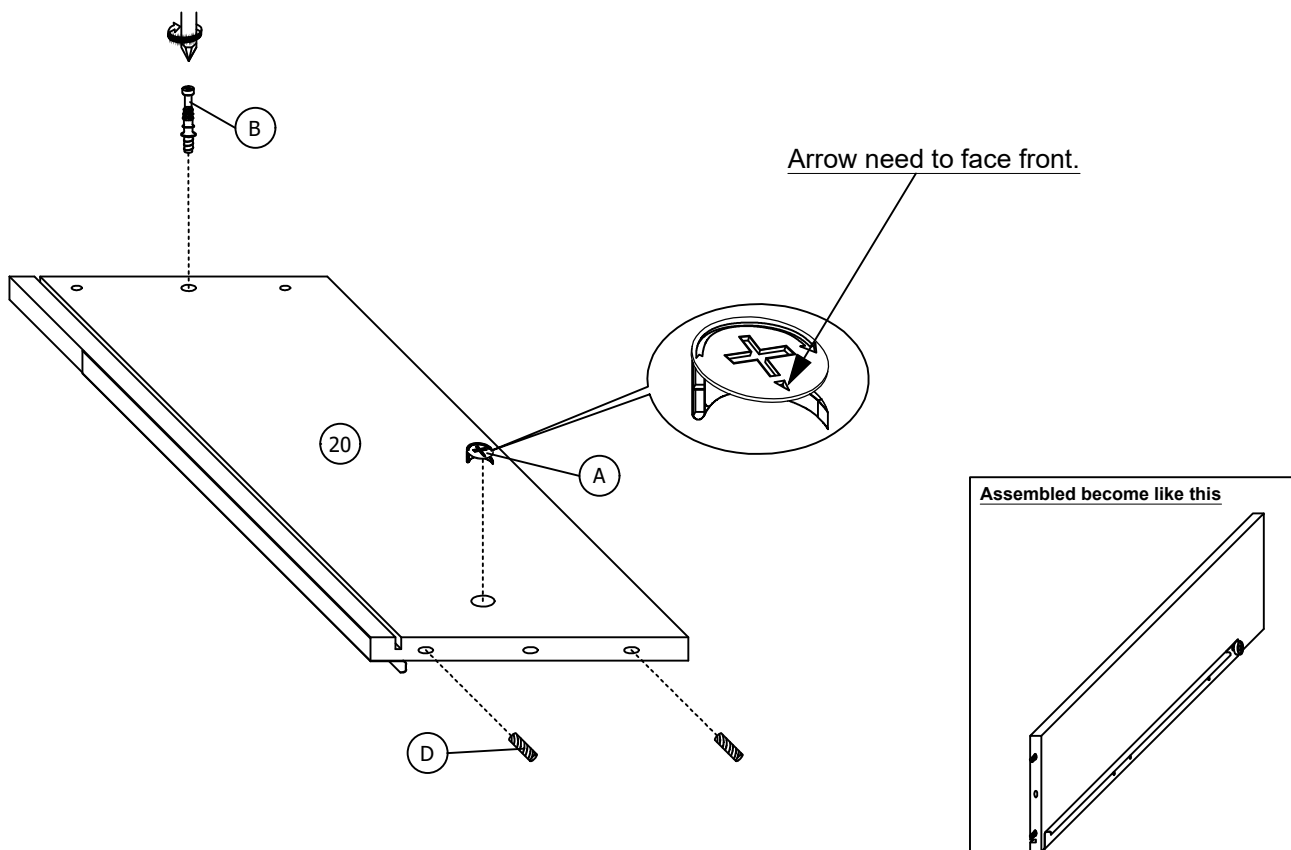
STEP 13

Insert 1 piece (A) , 1 piece (B) and 2 pieces (D) to (19) as shown. This step needs to be **done five times**.



STEP 14

Insert 1 piece (A) , 1 piece (B) and 2 pieces (D) to (20) as shown. This step needs to be **done five times**.

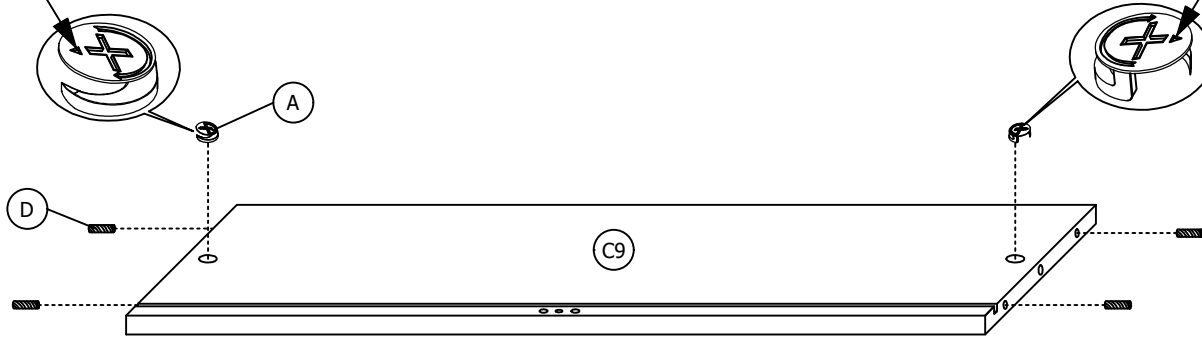


ASSEMBLY INSTRUCTION

STEP 15

Insert 2 pieces (A) and 4 pieces (D) to (C9) as shown. This step needs to be **done five times**.

Arrow need to face outside.



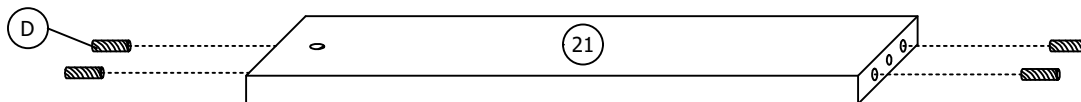
Arrow need to face outside.

Assembled become like this

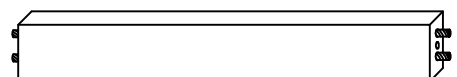


STEP 16

Insert 4 pieces (D) to (21) as shown. This step needs to be **done five times**.



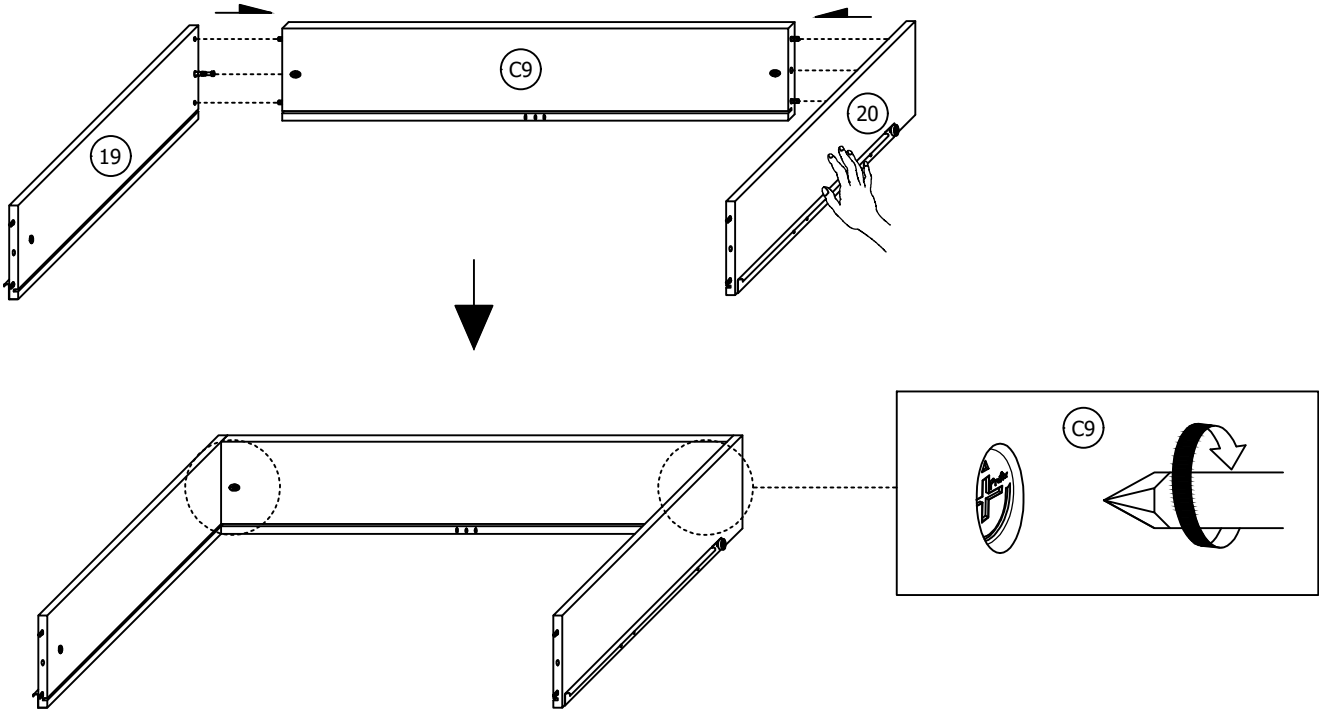
Assembled become like this



ASSEMBLY INSTRUCTION

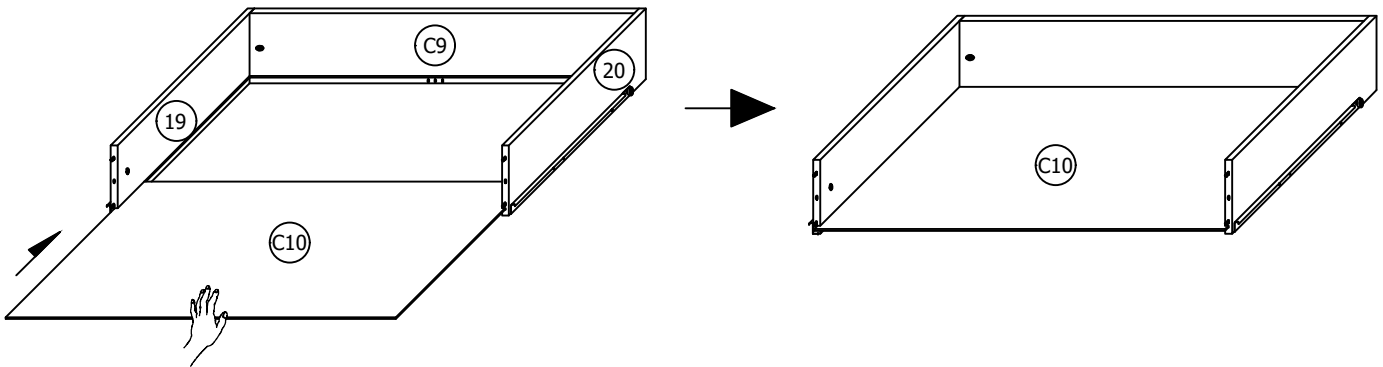
STEP 17

Combine the (19) and (20) to the (C9) . Then tighten the 2 pieces (A)-(pre-insert in step 13) as shown. This step needs to be **done five times**.



STEP 18

Put the (C10) into the gap of (19),(20) and (C9) as shown. This step needs to be **done five times**.

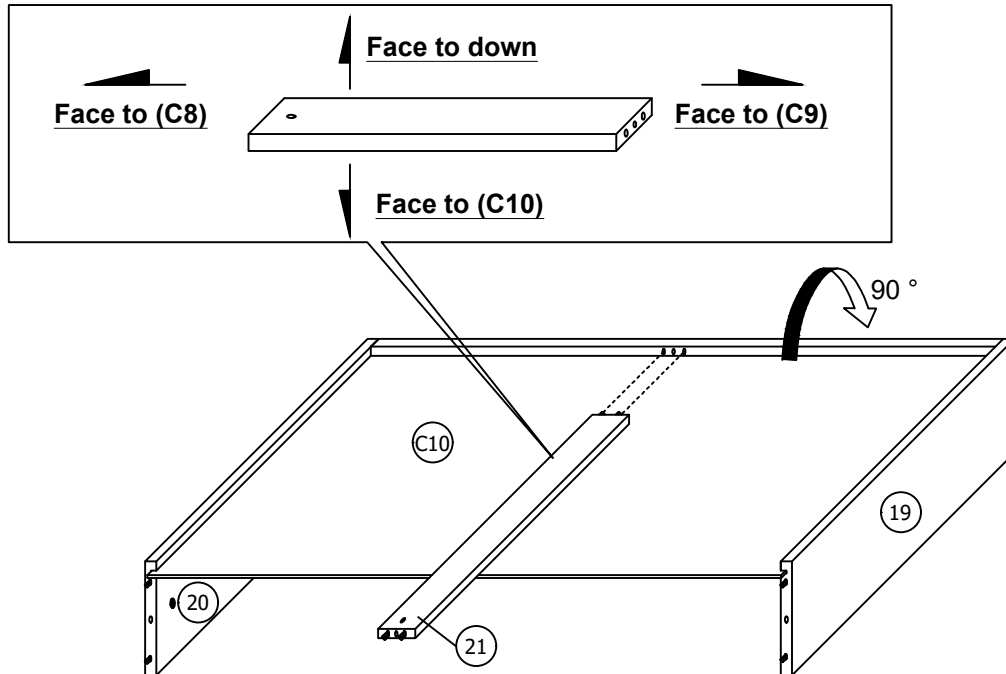


ASSEMBLY INSTRUCTION

STEP 19

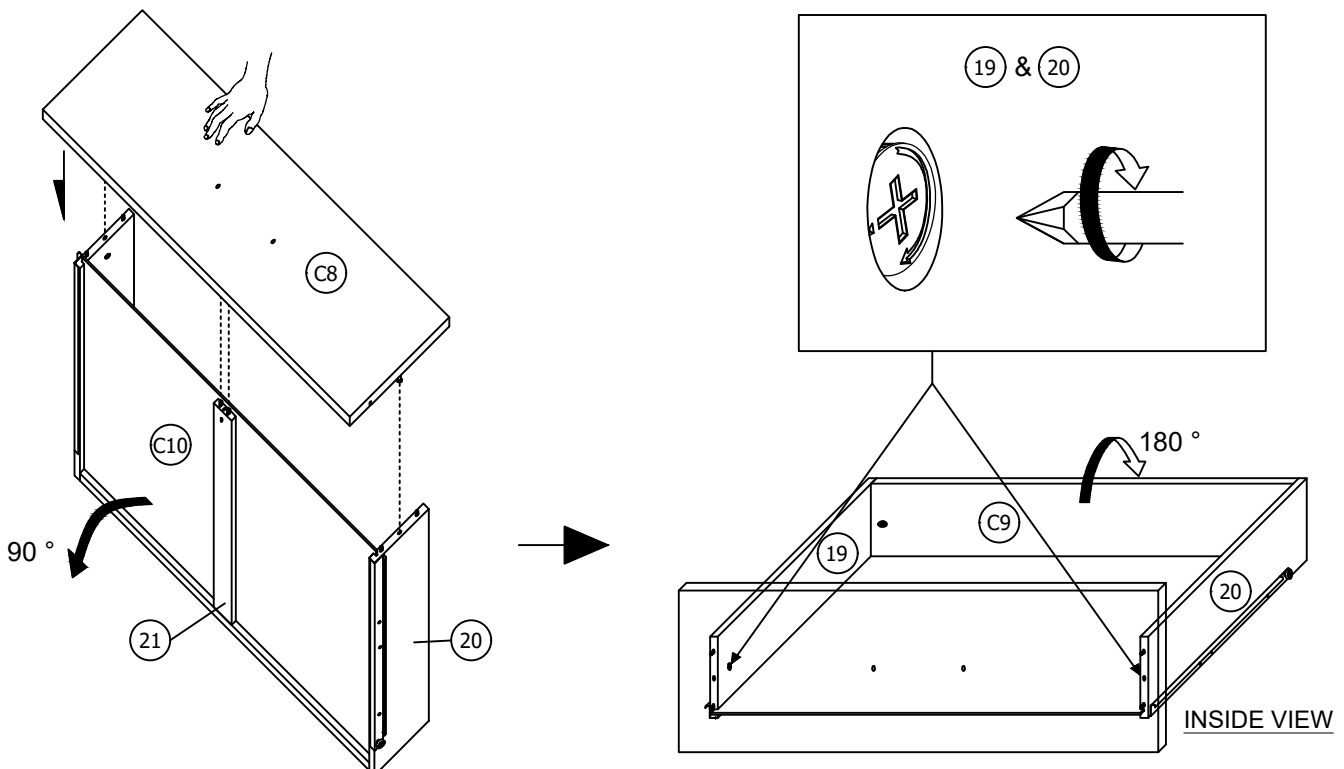
Check the position then combine the (21) to the (C9) as shown. This step needs to be **done five times**.

Attention : Please check the direction of item (21) before start doing this step.



STEP 20

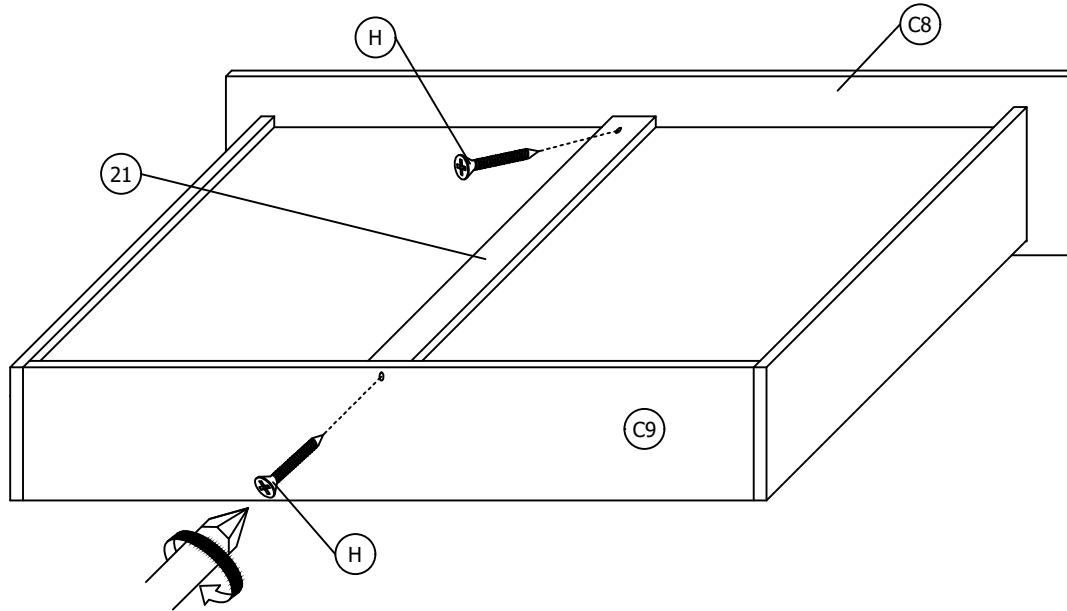
Combine the (C8) to the drawer frame. Then tighten the 2 pieces (A)-(pre-insert in step 11 and 12) as shown. This step needs to be **done five times**.



ASSEMBLY INSTRUCTION

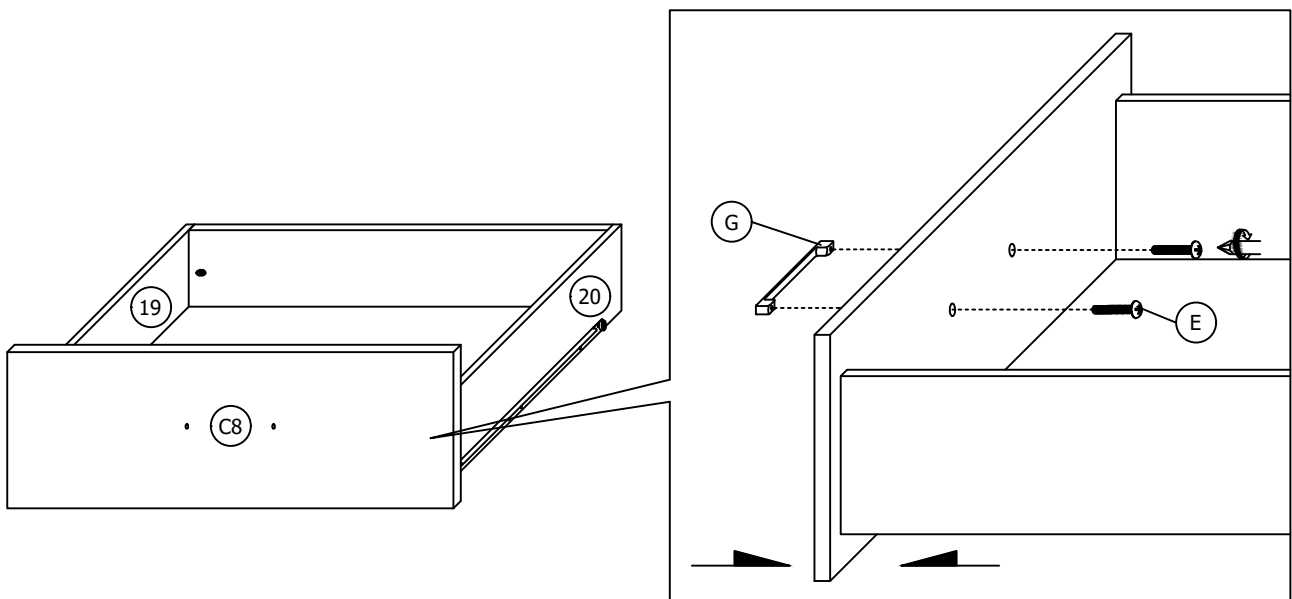
STEP 21

Insert 1 piece (H) to the (C9) and (21) as shown. **This step needs to be done five times.**



STEP 22

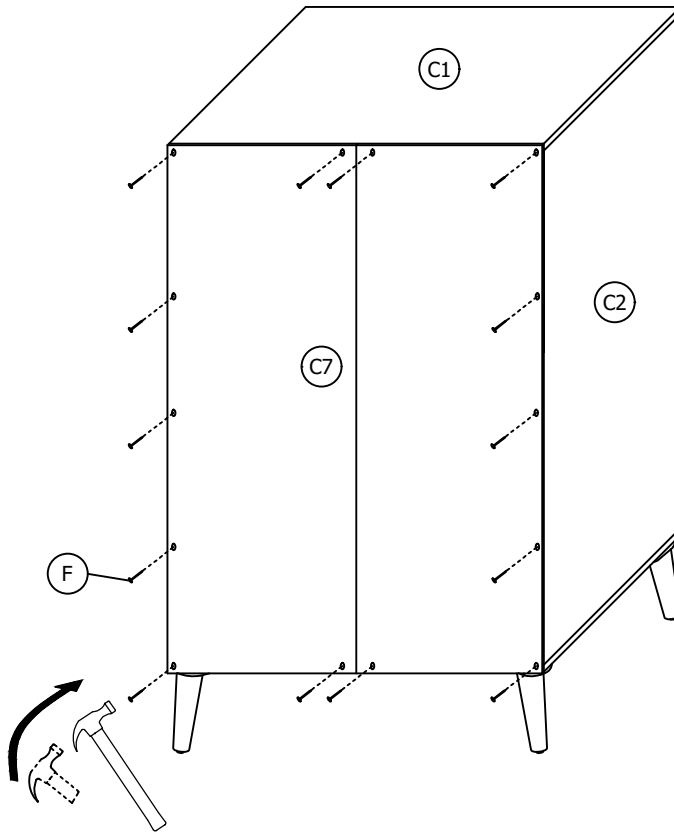
Insert 2 pieces (E) fix the (G) as shown. **This step needs to be done five times.**



ASSEMBLY INSTRUCTION

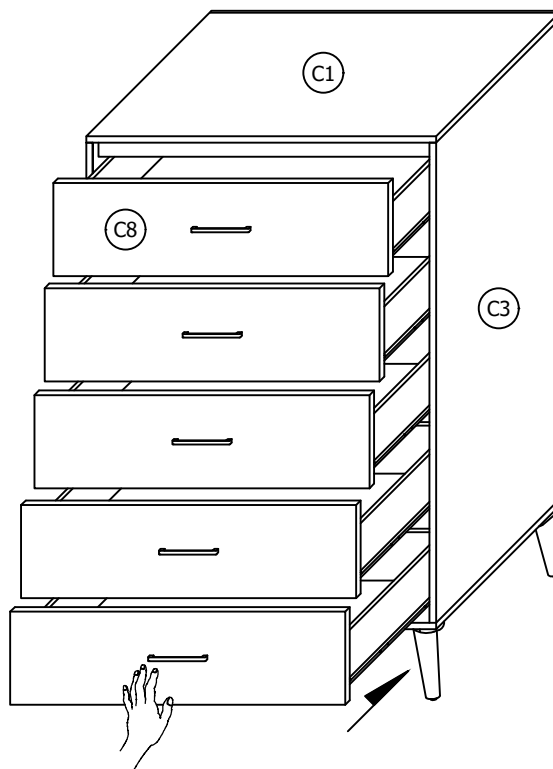
STEP 23

Insert the 14 pieces (F) to fix the (C7) as shown.



STEP 24

Align the position then push the 5 pieces drawer to inside exactly by your hand as shown.



ASSEMBLY INSTRUCTION

STEP 25



ASSEMBLY COMPLETED

WALL STUD

SAFETY BRACKET INSTRUCTIONS

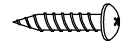
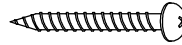
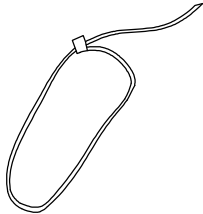
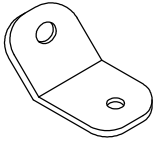
Part Enclosed :

A) Bracket

B) Safety Strap

C) 50mm Pan Head Screw

D) 17mm Pan Head Screw



2x

1x

1x

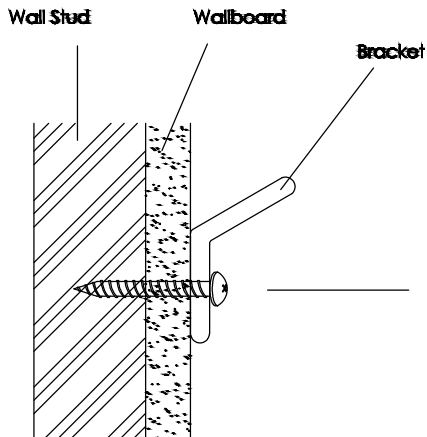
1x

IMPORTANT: Tipping can injure young children. Use of this safety hardware is highly recommended. This safety hardware, when properly installed, can provide furniture protection against unexpected accidental tipping of furniture due to improper use.

Step 1

Attach a bracket to the wall board with the 2" screw provided:

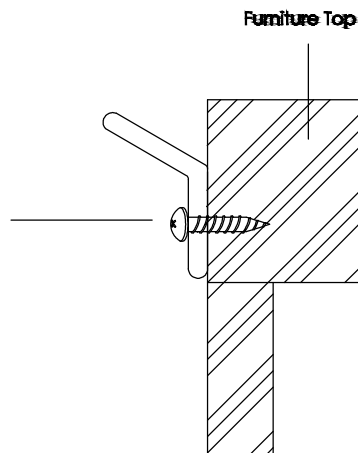
- . It is recommended that you locate a wall stud behind the furniture unit. If the wall stud is not used, a suitable "Hollow-Wall Anchor Bolt" (not provided) should be used in lieu of the wall stud.
- . Position the wall bracket on the stud about 1" below the top of furniture piece.
- . Mark the position for the bracket placement on the wall and drill a pilot hole into the stud.
- . Attach the bracket to the back of the furniture with the 2" screws provided.



Step 2

To attach a bracket to the Furniture Frame below to top with the short screws provided :

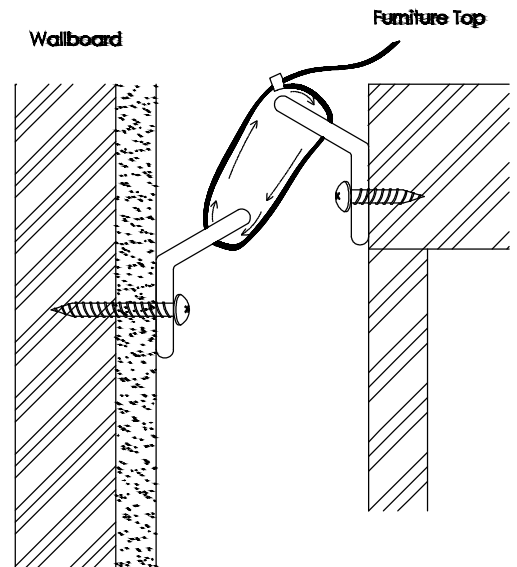
- . Move the furniture piece temporarily to its final position to the wall.
- . Mark the location of the bracket on the back of the furniture in relation to the previously mounted wall bracket.
- . Move the furniture piece away from the wall mounted bracket and place the other bracket on the mark position on the back of the furniture piece.
- . Drill a pilot hole as shown in the figure or into the back furniture frame.
- Caution:** Mark sure you do not drill completely through the back of the furniture.
- . Attach the bracket to the back of the furniture with the 5/8" screws provided.



Step 3

To Attach the safety strap:

- . Move the furniture back to its final position.
- . Thread the safety strap through both of the mounted brackets as shown in the illustration.
- . Tighten the strap unit snug.
- . Do not over tighten.



IMPORTANT: Make sure the brackets are firmly attached to the wall stud and furniture frame and the safety strap is snug.

Warning: This product is not be a substitute for proper parental supervision which is the only proper deterrent to prevent improper use of this unit. The manufacturer assumes no liability for improper installation or excessive loads placed on the safety straps, bracket or mounting screws. This hardware will not insure against tipping.

Note: For taller or heavier pieces of furniture, two safety brackets may be installed.

This sticker was stucked at one of the DRAWER LEFT PANEL(19).



Place the drawer which stucked a warning label in the top as shown.

