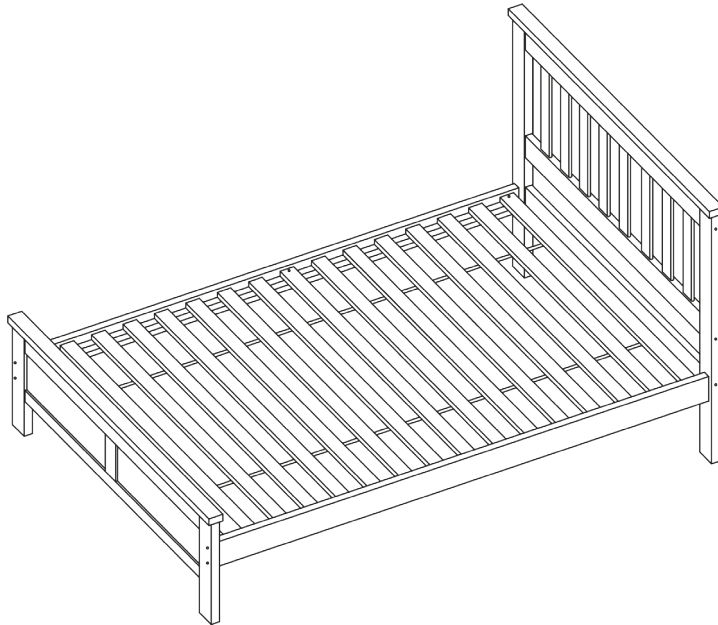


SINGLE

ASSEMBLY GUIDE



Important - Please read these instructions fully before starting assembly



**SAFETY AND
CARE ADVICE**



NO POWER TOOLS

SAFETY AND CARE ADVICE

- Check you have all the components and tools listed.
- Remove all fittings from the plastic bags and separate them into their groups.
- We do not recommend the use of power drills/drivers for inserting screws, as this could damage the unit. Only use hand screwdrivers and Allen keys.
- Keep children and animals away from the work area, small parts could cause choking if swallowed.
- Make sure you have enough space to layout the parts before starting.
- Assemble the item as close to its final position (in the same room) as possible.
- Do not overtighten the nuts to avoid causing damage to the threads.
- Only clean using a damp cloth and mild detergent, do not use bleach or abrasive cleaners.
- From time to time check that there are no loose screws on this unit
- This product should not be discarded with household waste. Take to your local authority waste disposal centre

IMPORTANT INFORMATION



45 MINUTE
BUILD

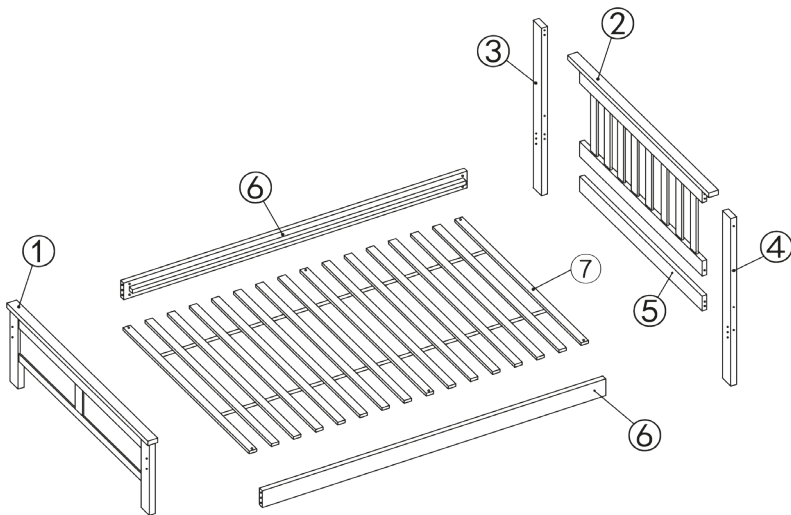







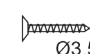
TWO
PERSON







MAXIMUM
CAPACITY 200Kg

PLEASE CHECK CAREFULLY AND MAKE SURE YOU HAVE ALL FITTINGS AND TOOLS LISTED BELOW BEFORE YOU START.



A	  M6X70mm	08
B		14
C	 Ø8X30mm	08
D	  Ø3.5X25mm	06

F		01
G	  M6X105mm	06
H	 Stopples	14

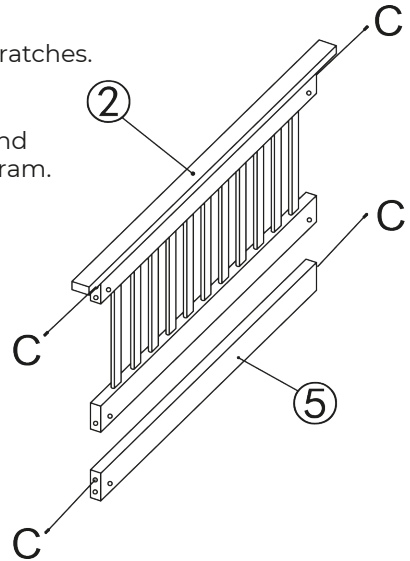
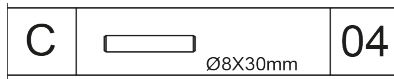
NOTE: The quantities above are the correct amount to complete the assembly. In some cases more fittings may be supplied than are required.

STEP 1

Use a clear, flat, soft surface to avoid bumps or scratches.

Construct the headboard first.

Take headboard piece [2] and support piece [5] and insert 4 x wooden dowels [C] as indicated in diagram.






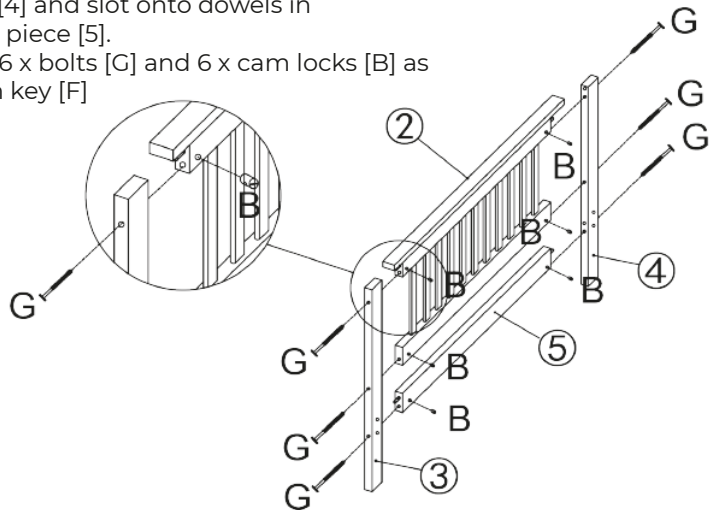
STEP 2

Next, attach side pieces to headboard.

Take side supports [3] and [4] and slot onto dowels in headboard [2] and support piece [5].

Screw it all together using 6 x bolts [G] and 6 x cam locks [B] as per the diagram. Use Allen key [F]

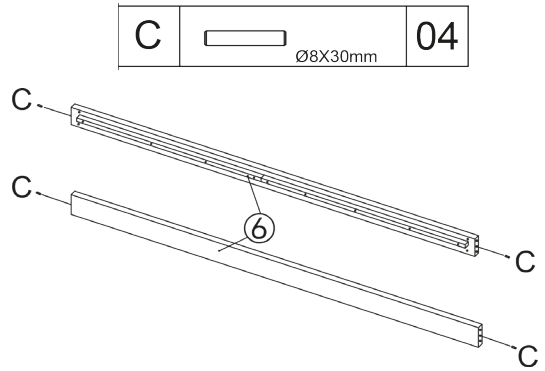
G		06
B		06
F		01



FULL ASSEMBLY INSTRUCTIONS

STEP 3

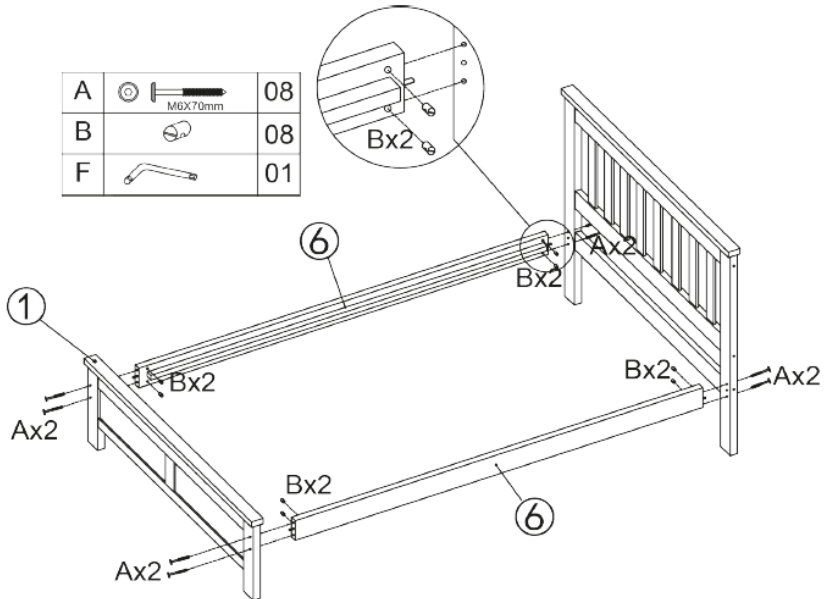
Take 2 x side pieces [6] and add 4 x dowels [C] into the ends as per diagram - 1 dowel either end of each side piece.



STEP 4

Construct bed frame.

Align headboard [2], footboard [1] and side pieces [6] - get all the pieces into correct position before screwing anything together. Connect side pieces to headboard and footboard with 8 x bolts [A] and 8 x cam locks [B] - 2 at each end, on both sides.

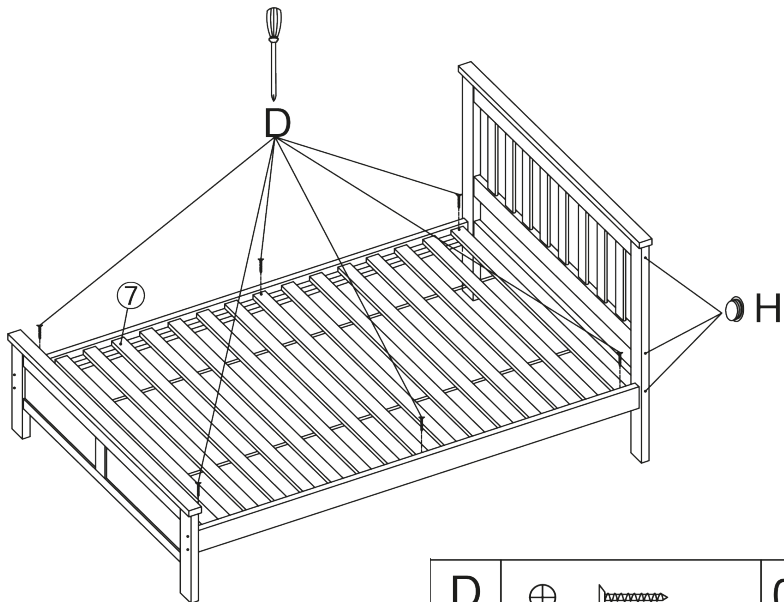



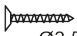

STEP 5

Place slats runner [7] onto frame as per diagram.
Screw slats into place using 6 x screw [D]

Finally, cover all exposed holes on outside of frame with stoppers [H] - x 4 in total.

ATTENTION: Should you need to move the bedframe after assembly, carefully lift and re-position it with the help of at least one other person. Do not attempt to drag the frame, or you could risk damaging the structure.



D		 Ø3.5X25mm	06
H		Stoppers	14



OUR 2 YEAR* GUARANTEE

our products come with a 2 year guarantee to give you peace of mind shopping

*excludes some garden furniture items which have a 1 year guarantee



WHAT THE GUARANTEE COVERS



PRE-INSERTED FIXINGS
e.g. lose metal threads



FAULTY JOINTS
e.g. legs bending



EXTERNAL FIXING FAULTS
e.g. bonding/glue



STRUCTURAL INTEGRITY
e.g. the frame of the product