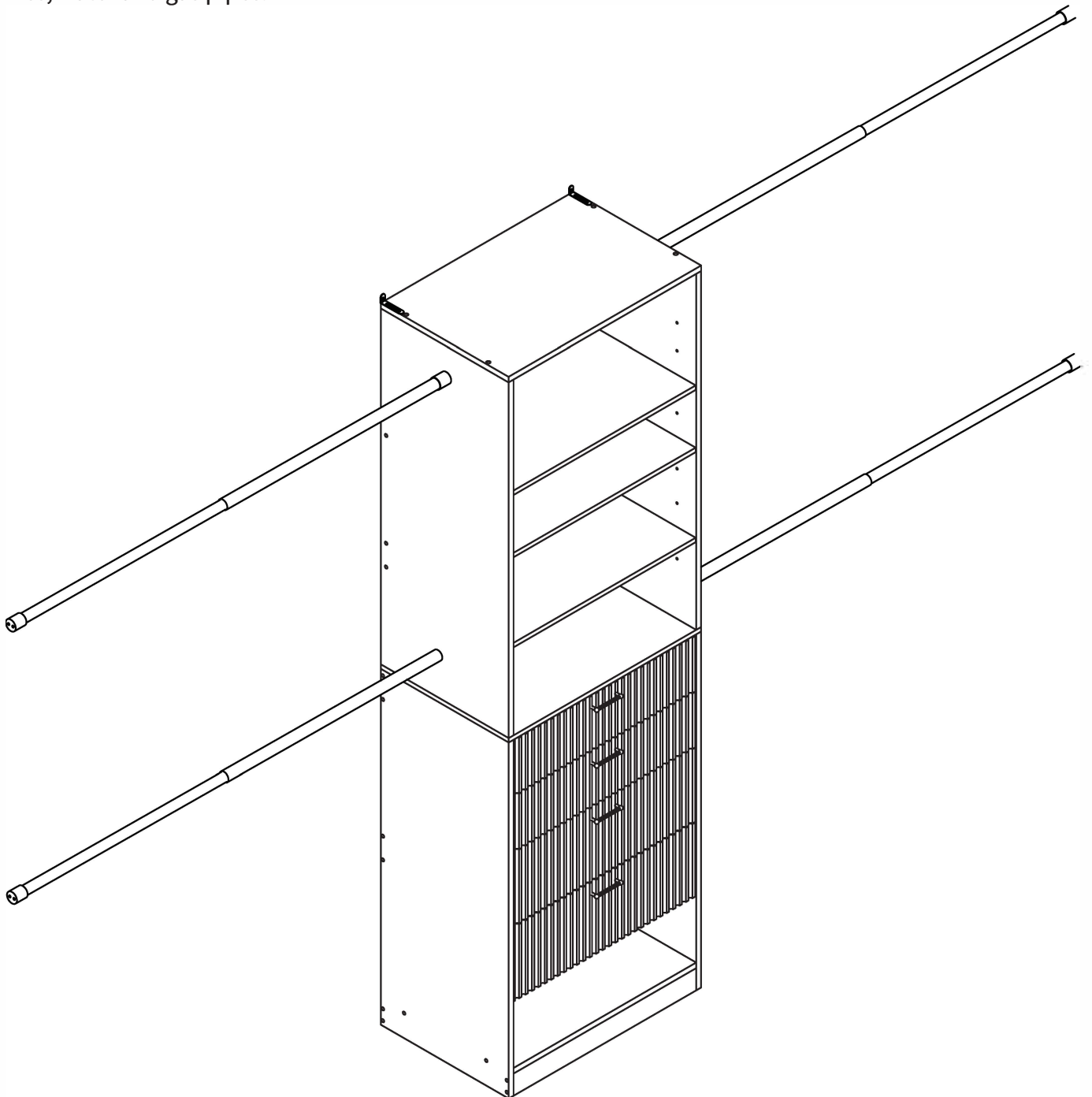


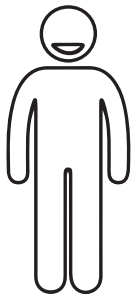
# ASSEMBLY INSTRUCTION

## WARNING

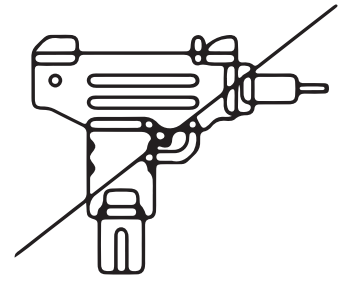
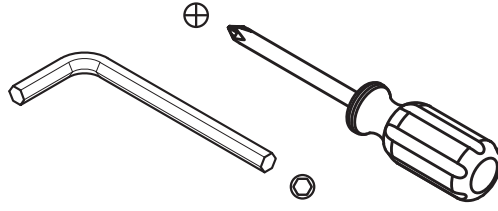
Serious or fatal injury may occur from unexpected assembly or use. Please read this instructions carefully before starting assembly.

1. Ensure that all parts and hardware are available. Follow each step carefully to ensure the proper assembly of this product.
2. During the assembly process, keep all parts away from babies or children.
3. Two people are recommended for ease in the assembly process of this product.
4. Place the heaviest items on the lowest shelf to reduce the risk of tip-over.
5. Never allow children to climb or bang on frames, bases or shelves.
6. Always securely fix this product to the wall. Make sure the wall area to be drilled is free from hidden electrical wires, water and gas pipes.





× 2



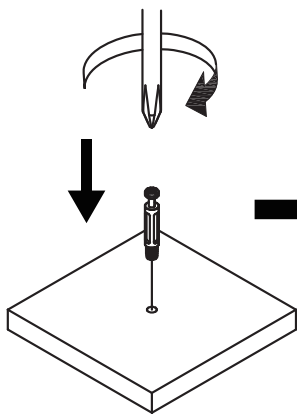
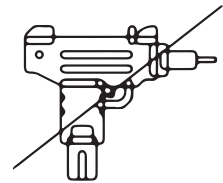
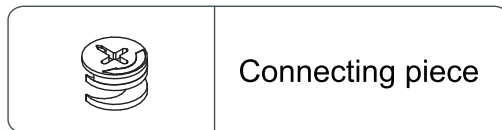
### Before You Begin

Two people are recommended for the assembly.

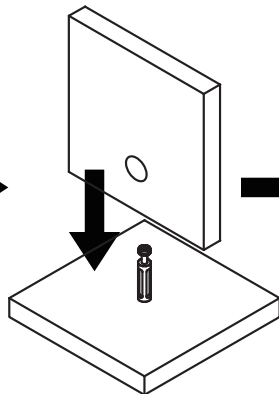
Use the included tools.

If using a power tool, use low power and torque.

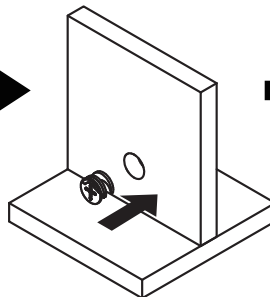
### Installation of Eccentric Unit



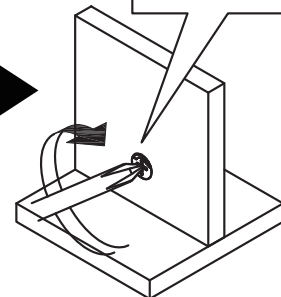
1



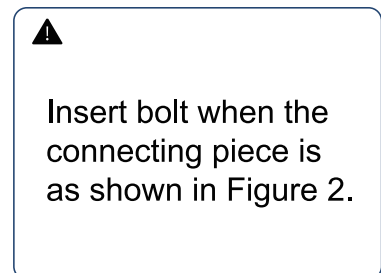
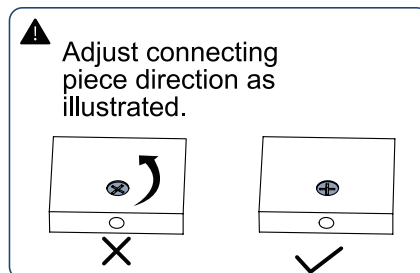
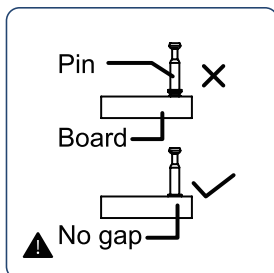
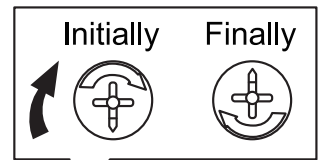
2

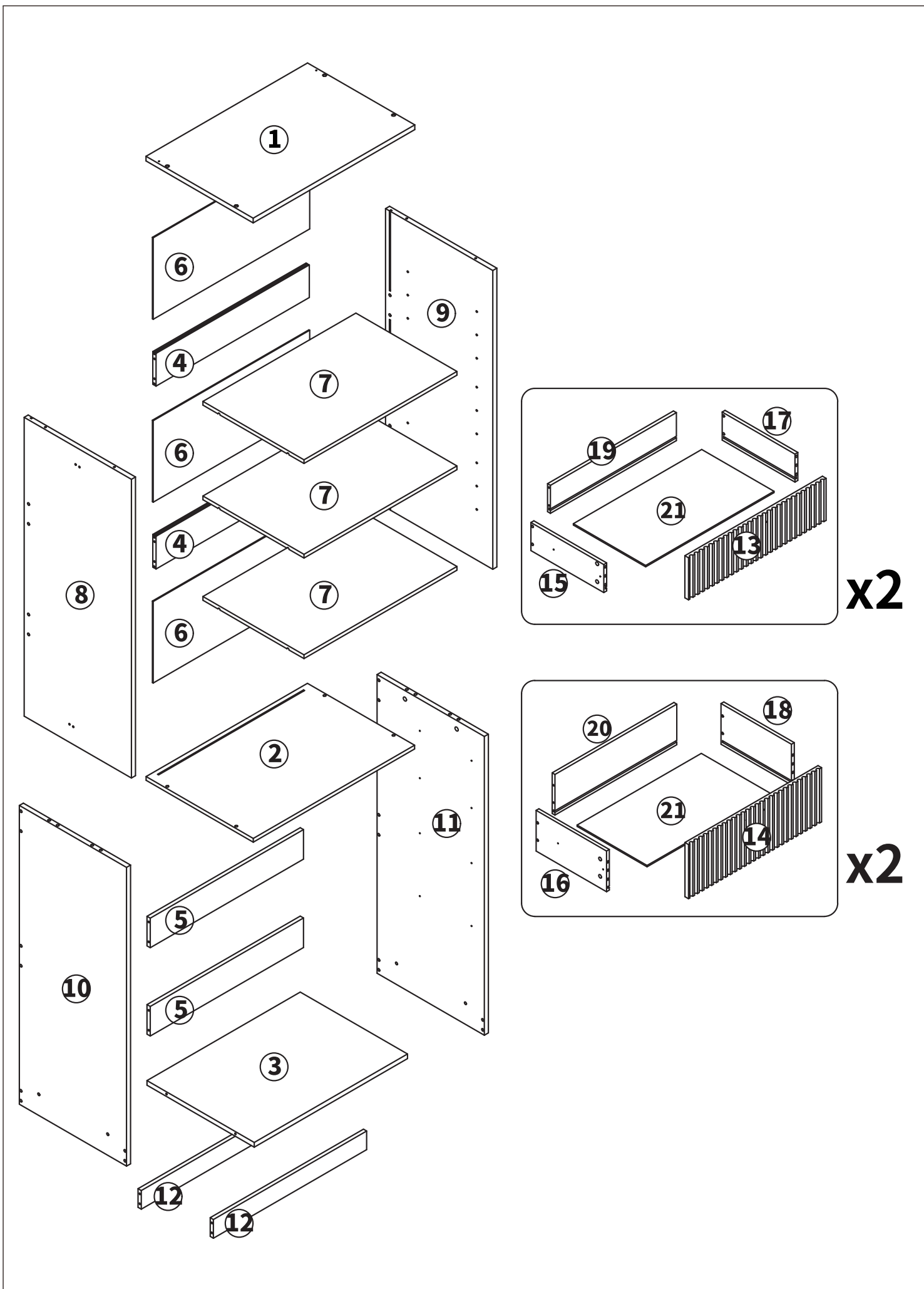


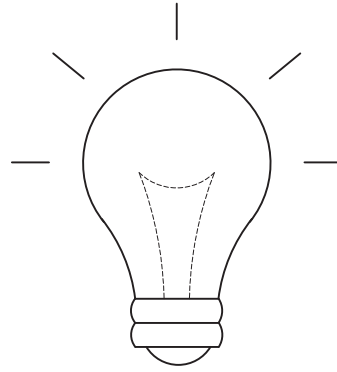
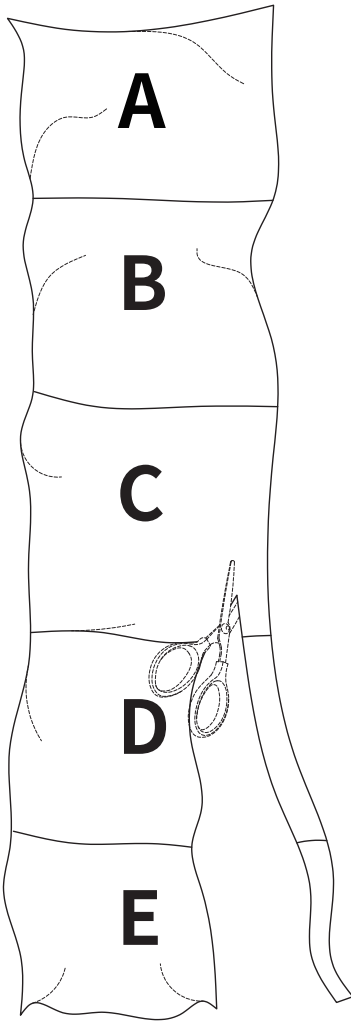
3



4








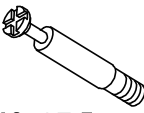


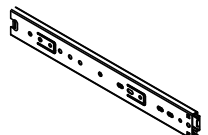
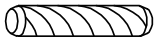

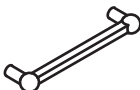



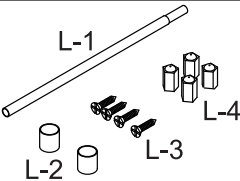


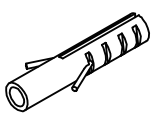
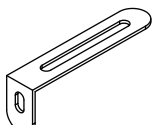
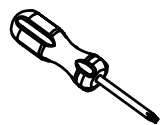

# friendly reminder

To prevent confusion during installation, please do not cut open all hardware bags at once.  
Some screws may look similar, so before starting assembly:

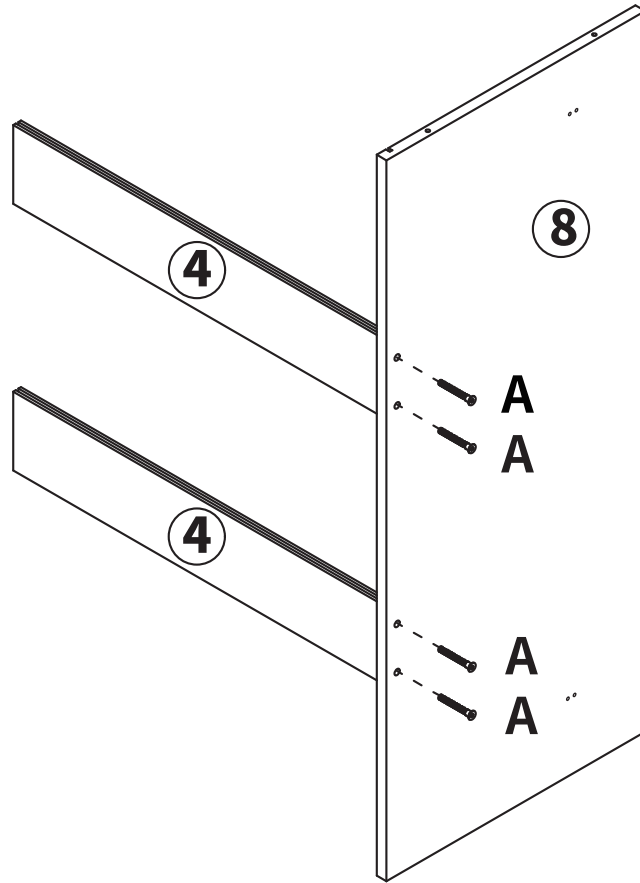
- Check each hardware bag and confirm that the type and quantity match the parts list in the manual.
- Only open each bag when it is needed for that specific installation step.

This will help keep the hardware organized and ensure a smoother installation process.

**Package Contents: Hardware** \*Please count and verify all parts before assembly.\*

A X52+2	B X20+2	C X20+2	D X32+2	E X8	F X12+2	G X8+2
 M6.3x40mm	 M6x27.5mm	 Φ12mm	 M4*14MM		 Φ8x40mm	 M4*18MM
H X4	I X6+1	J X10+2	K X48+2	L X4	M X12+2	N X4+2
	 14x14x9mm	 M4*12MM	 Φ20			 M4x40mm
O X4+2	P X4					
						

**1**

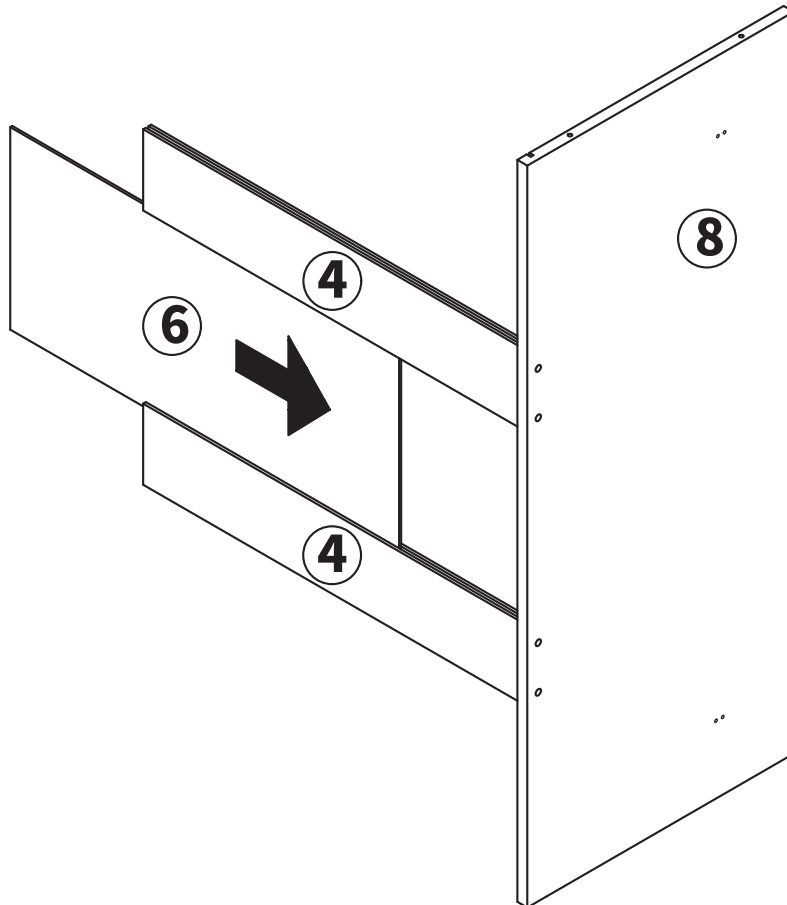


**A X4**



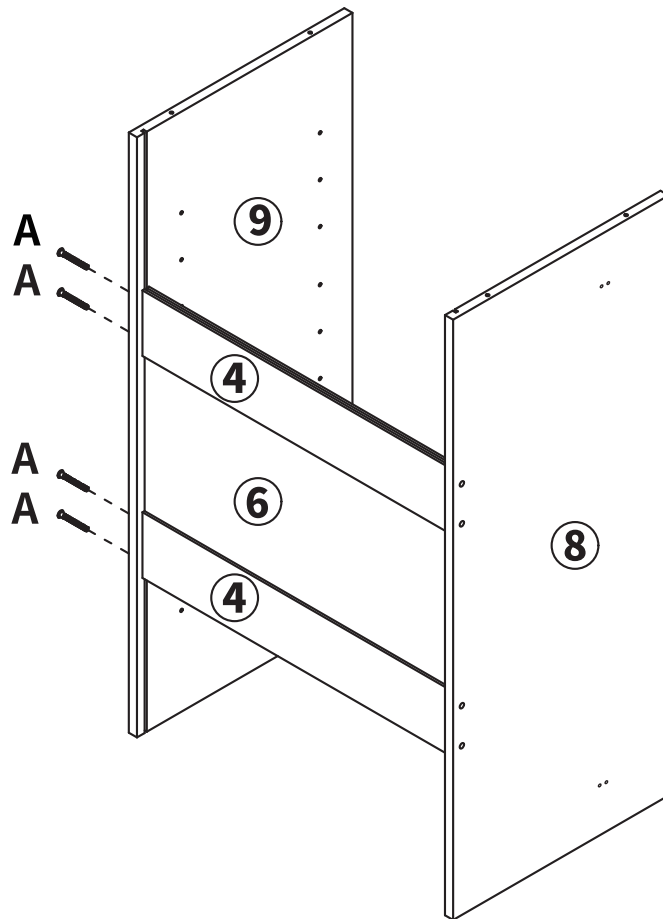
Twist (A) through (8) into both (4).

**2**



Insert (6) into the grooves in (4) (8).

**3**

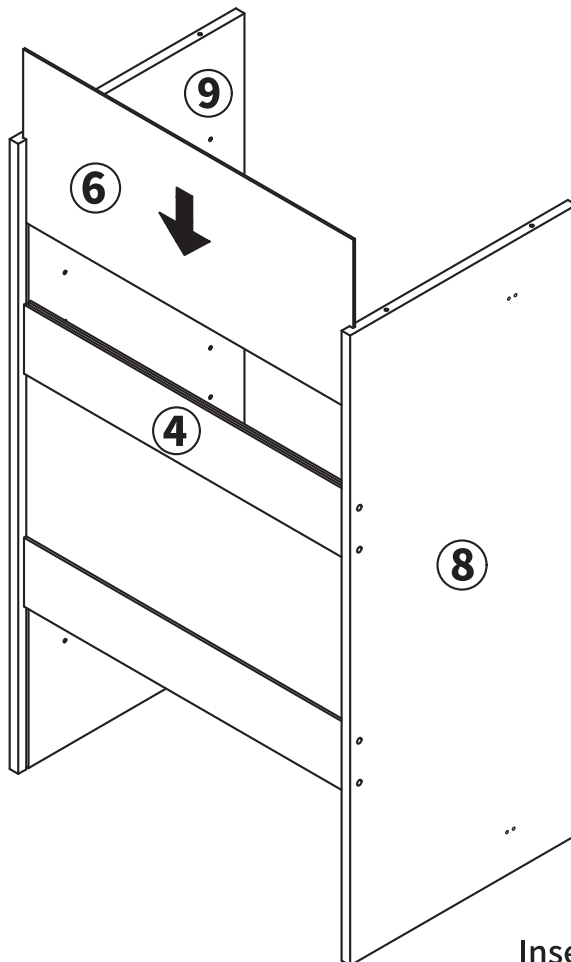


**A X4**

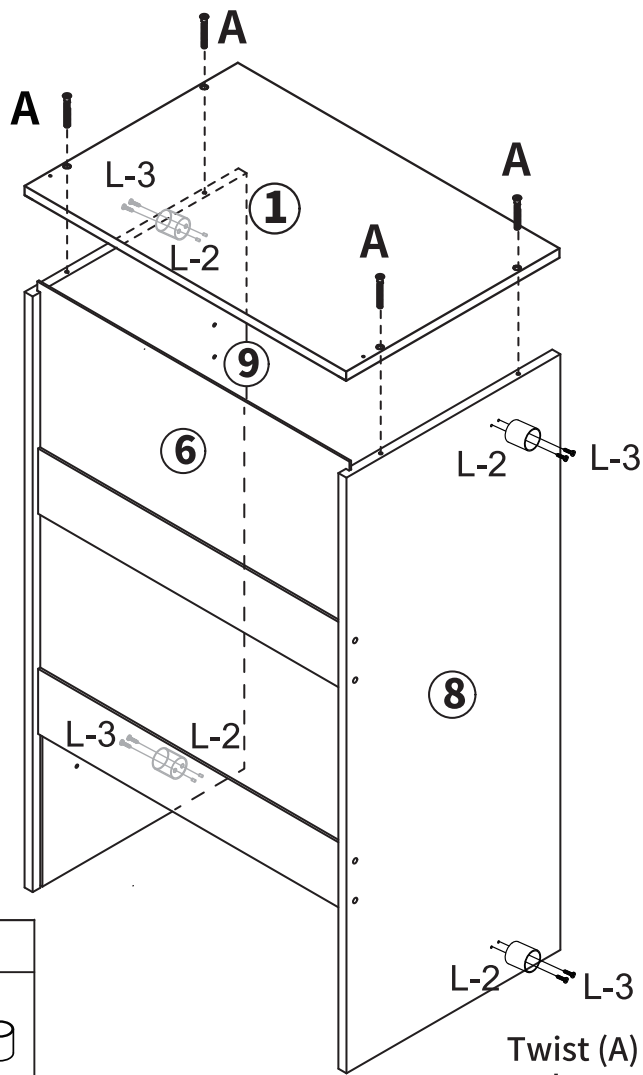


Twist (A) through (9) into (4) to connect them.  
Make sure (6) fits into the groove in (9).

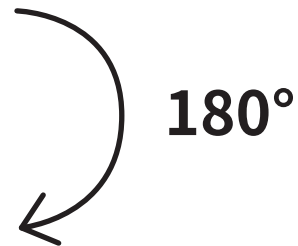
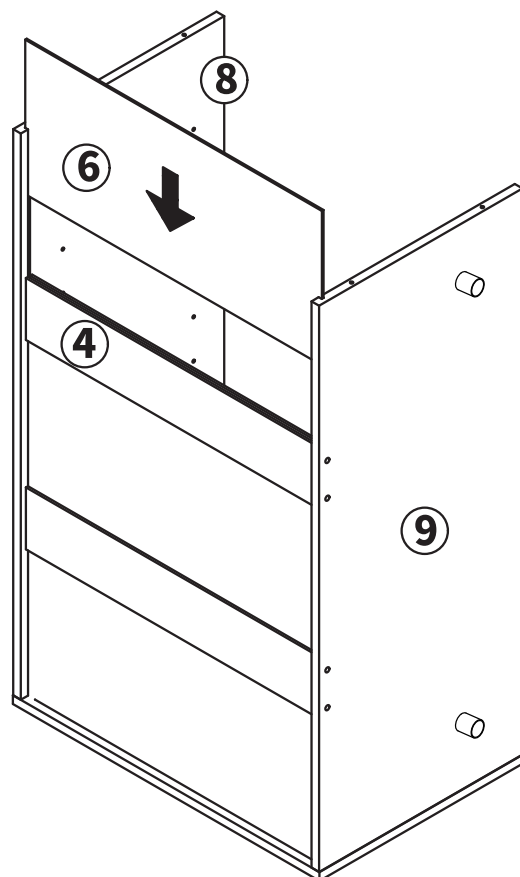
**4**



Insert (6) into the grooves in (4) (9) (8).

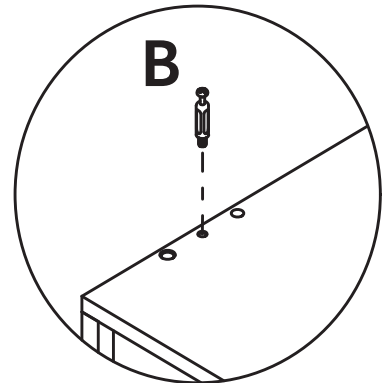
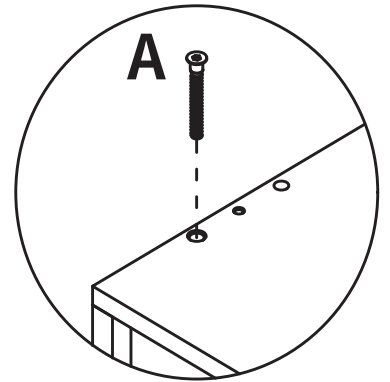
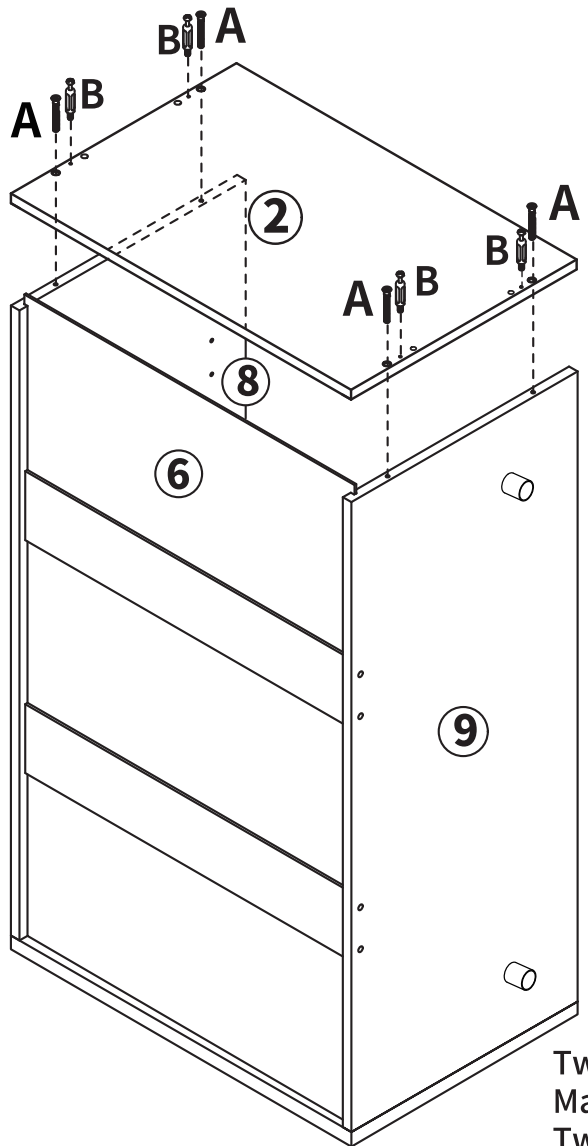
**5****A X4****L X4**



Twist (A) through (1) into (8) (9).  
 Make sure (6) fits into the groove in (1).  
 Twist (L-3) through (L-2) into (8) (9), as shown.

**6****180°**

Turn the cabinet over, as shown.  
 Insert (6) into the grooves in (4) (8) (9).

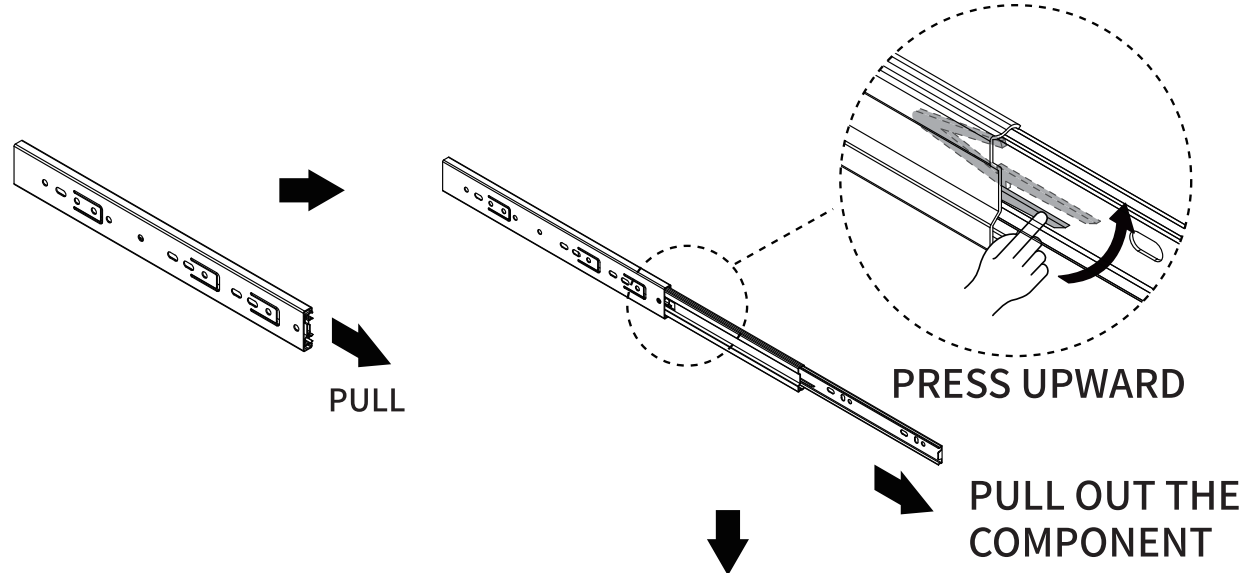
7

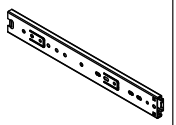



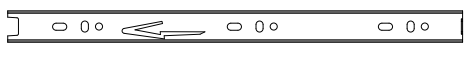
<b>A X4</b>	<b>B X4</b>
	

Twist (A) through (2) into (8) (9).  
 Make sure (6) fits into the groove in (2).  
 Twist (B) vertically into the holes in (2).

8

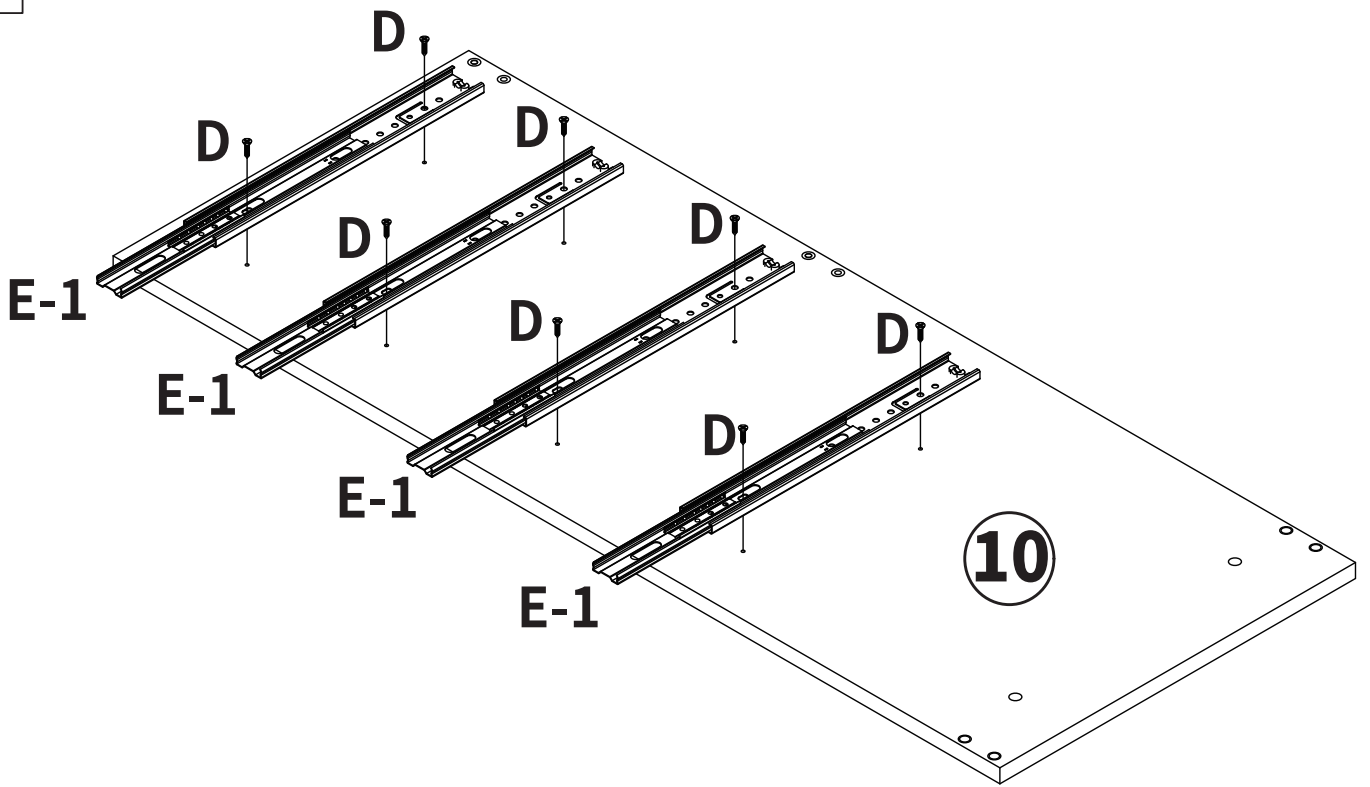


<b>E X8</b>


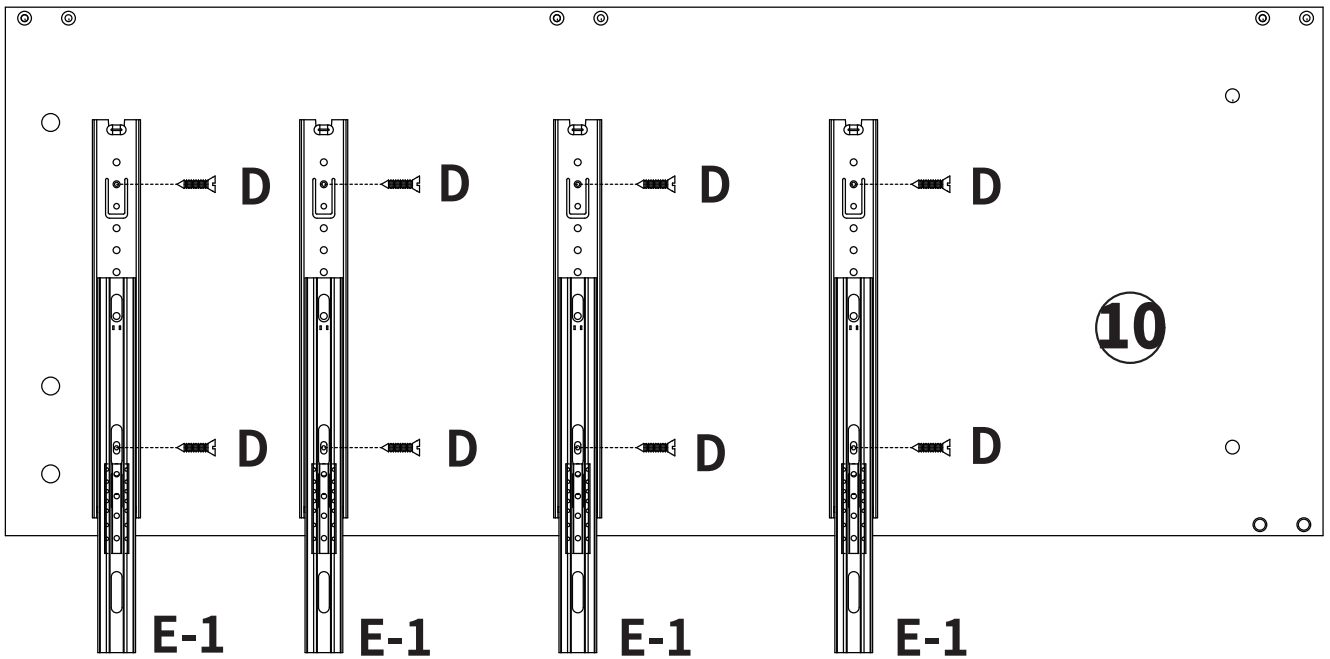
E-1 x8	
E-2 x8	

Separate (E) into (E-1) and (E-2).

9

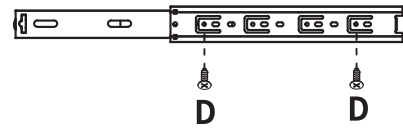
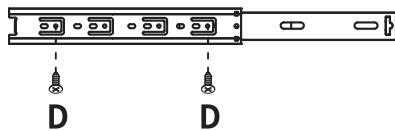
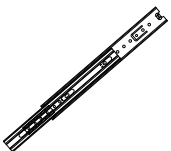


### FLAT - VIEW DRAWING



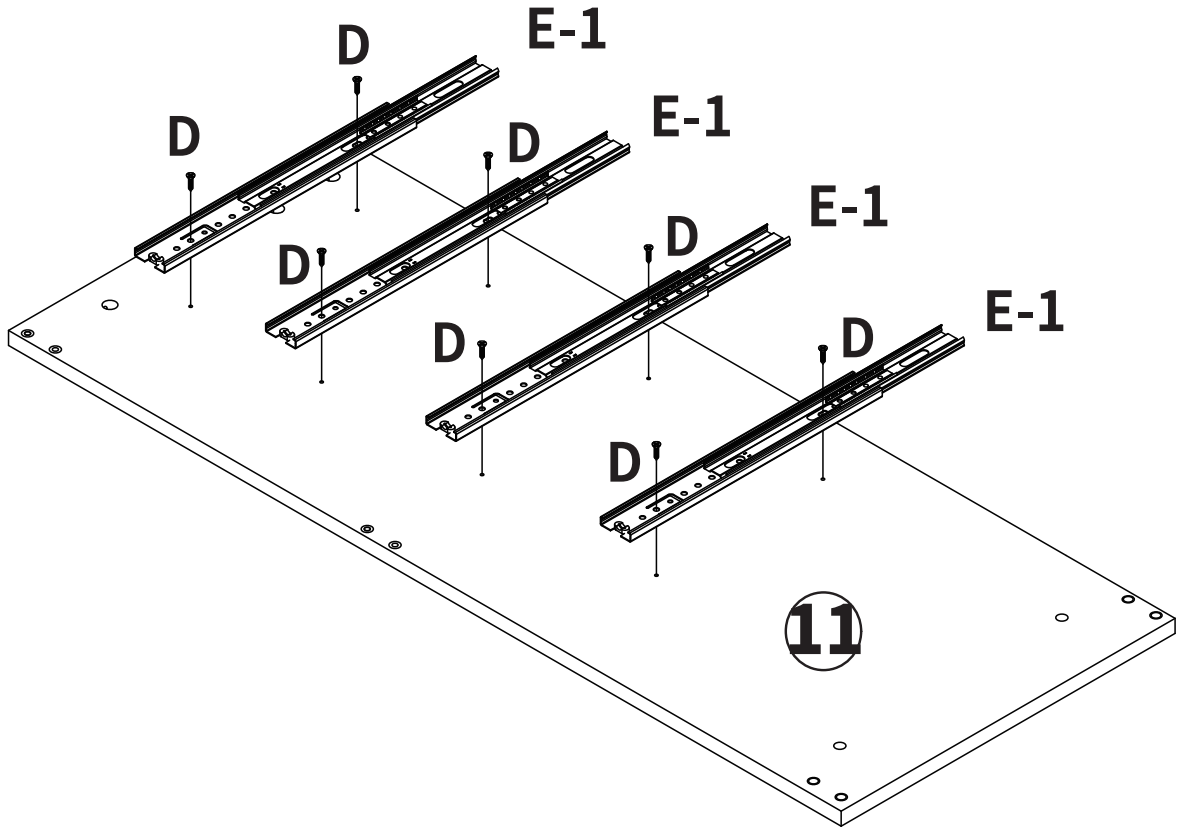
E-1 X4

D X8

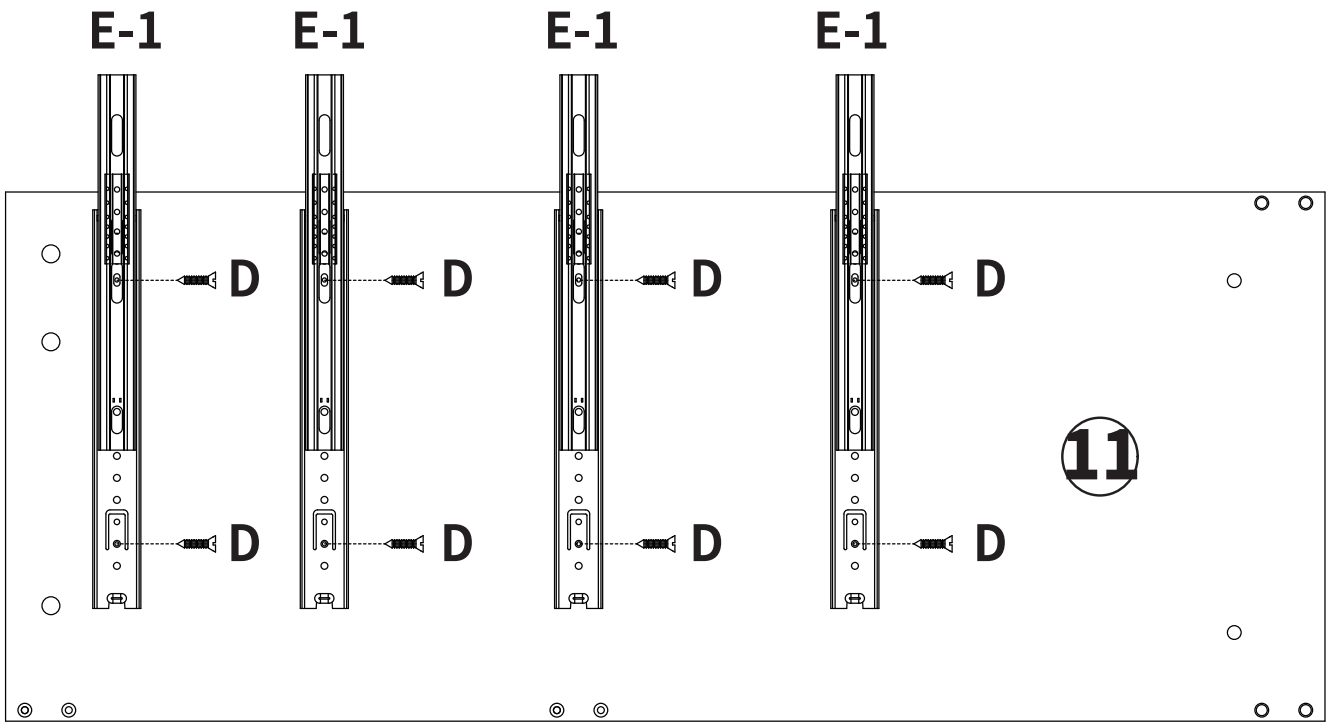


Twist (D) through (E-1) into (10).

10



### FLAT - VIEW DRAWING



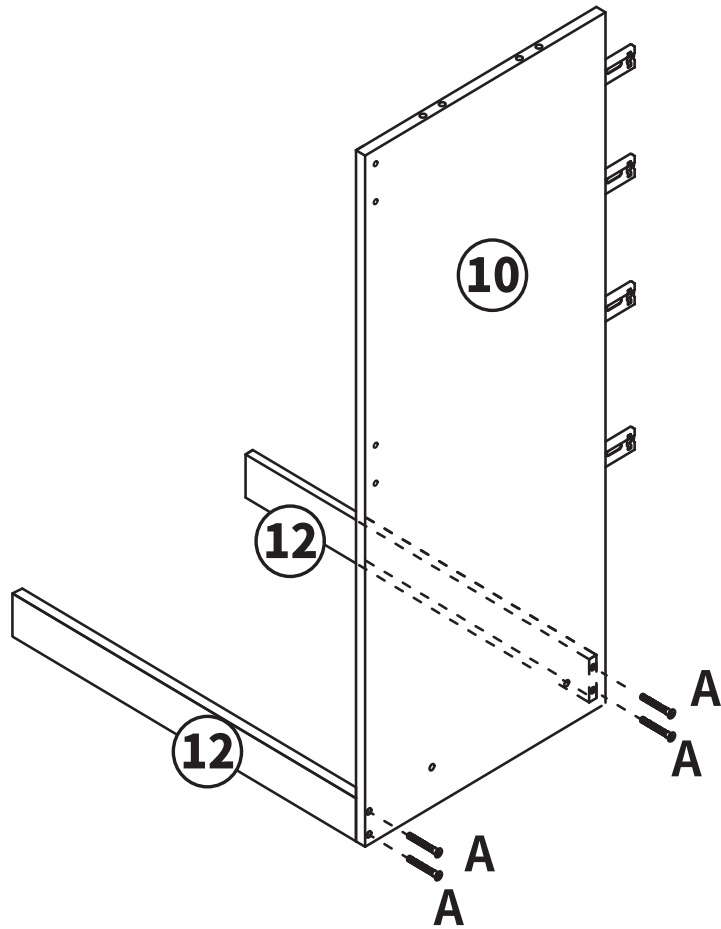
E-1 X4

D X8



Twist (D) through (E-1) into (11).

**11**

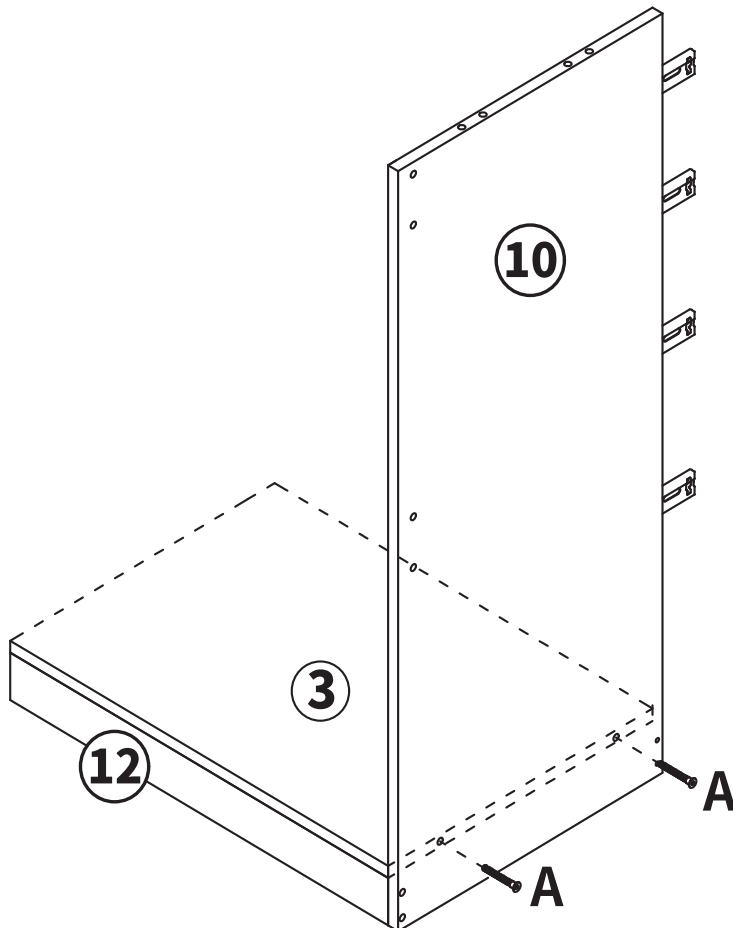


**A X4**

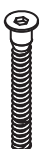


Twist (A) through (10) into both (12).

**12**

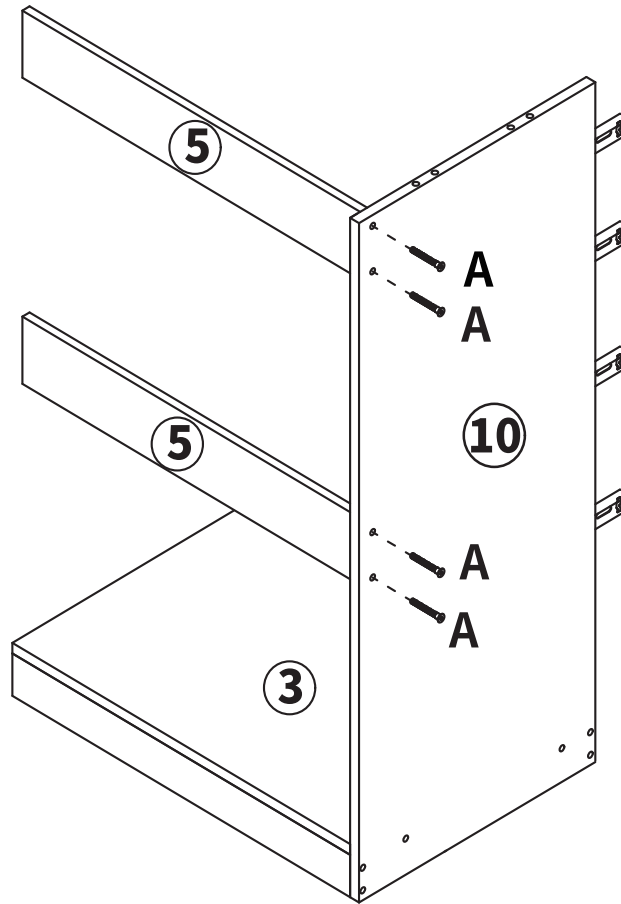


**A X2**



Twist (A) through (10) into (3).

**13**

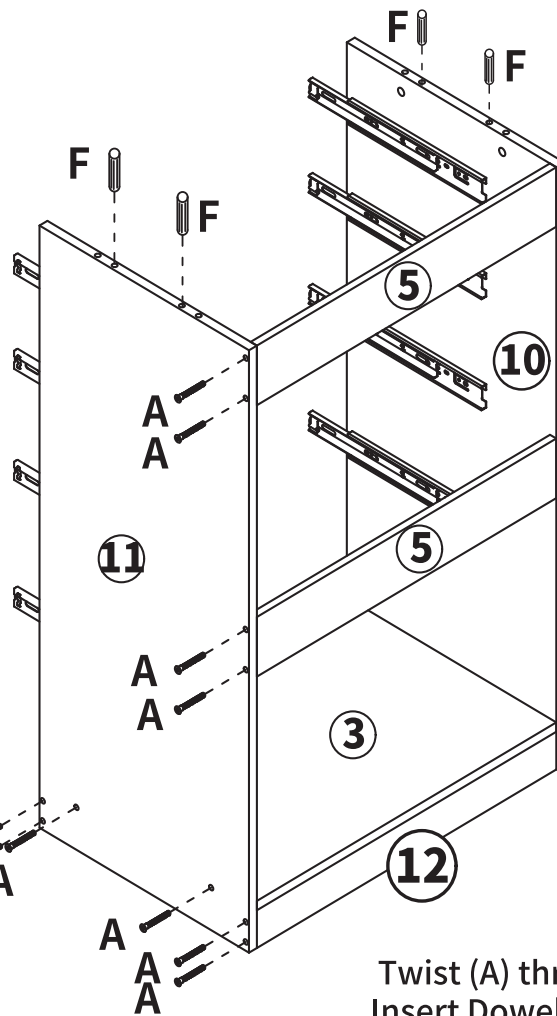


**A X4**



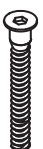
Twist (A) through (10) into both (5).

**14**



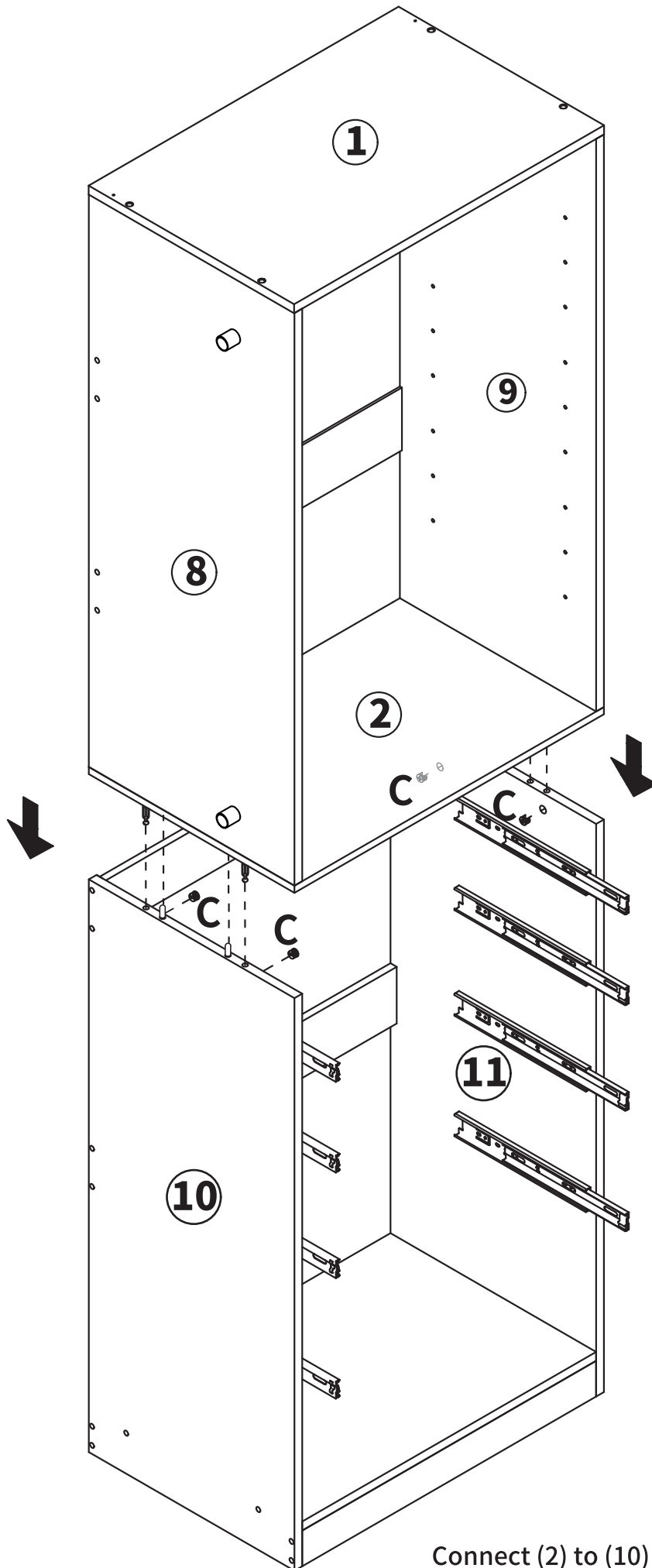
**A X10**

**F X4**



Twist (A) through (11) into (3) (5) (12).  
Insert Dowels (F) into the holes in (10) (11).

15

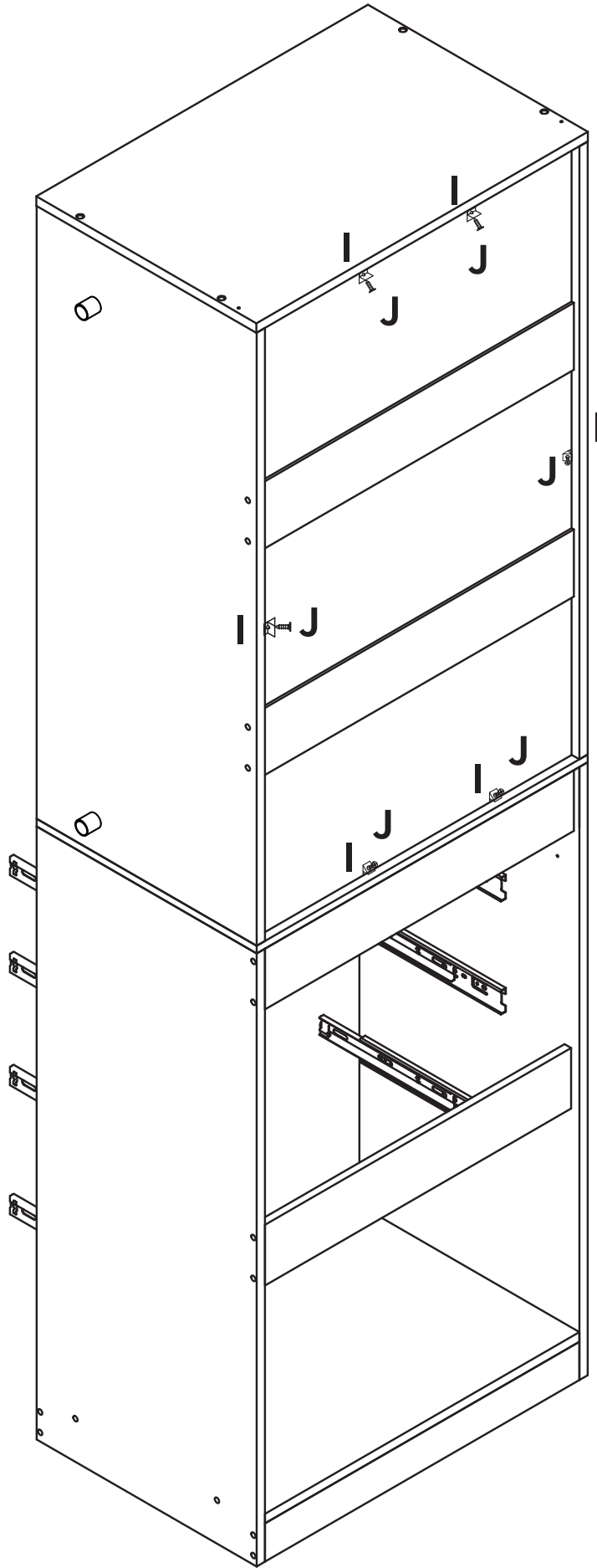
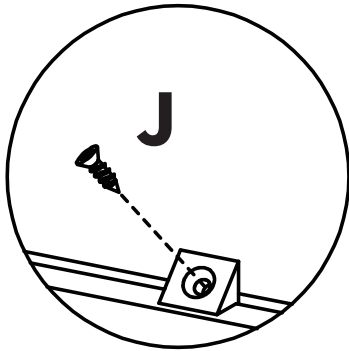
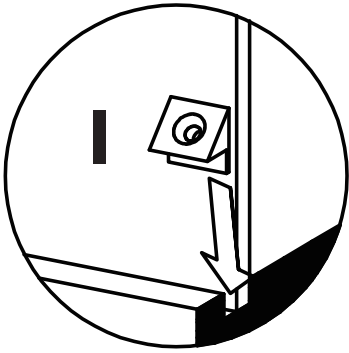


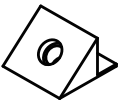

C X4



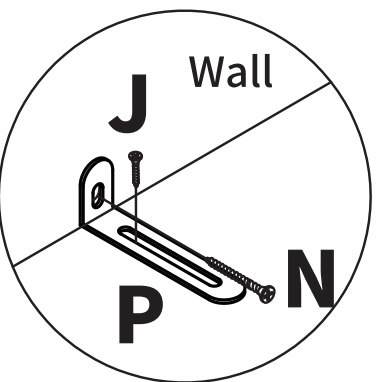
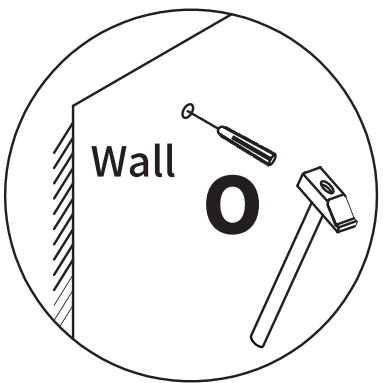
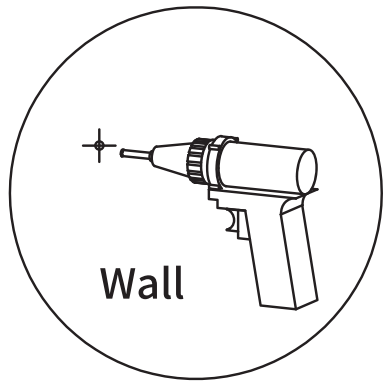
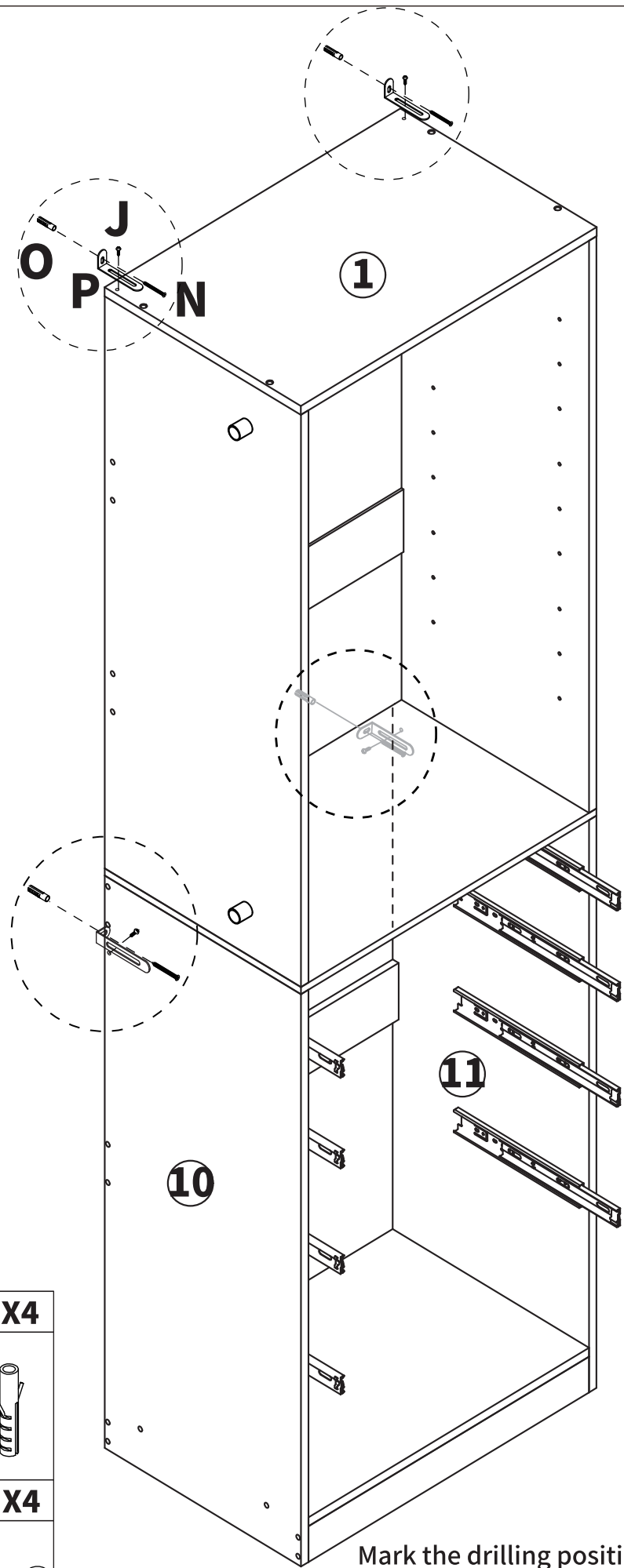
Connect (2) to (10) (11) and secure with (C).




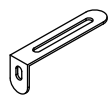
16



I X6	J X6
	

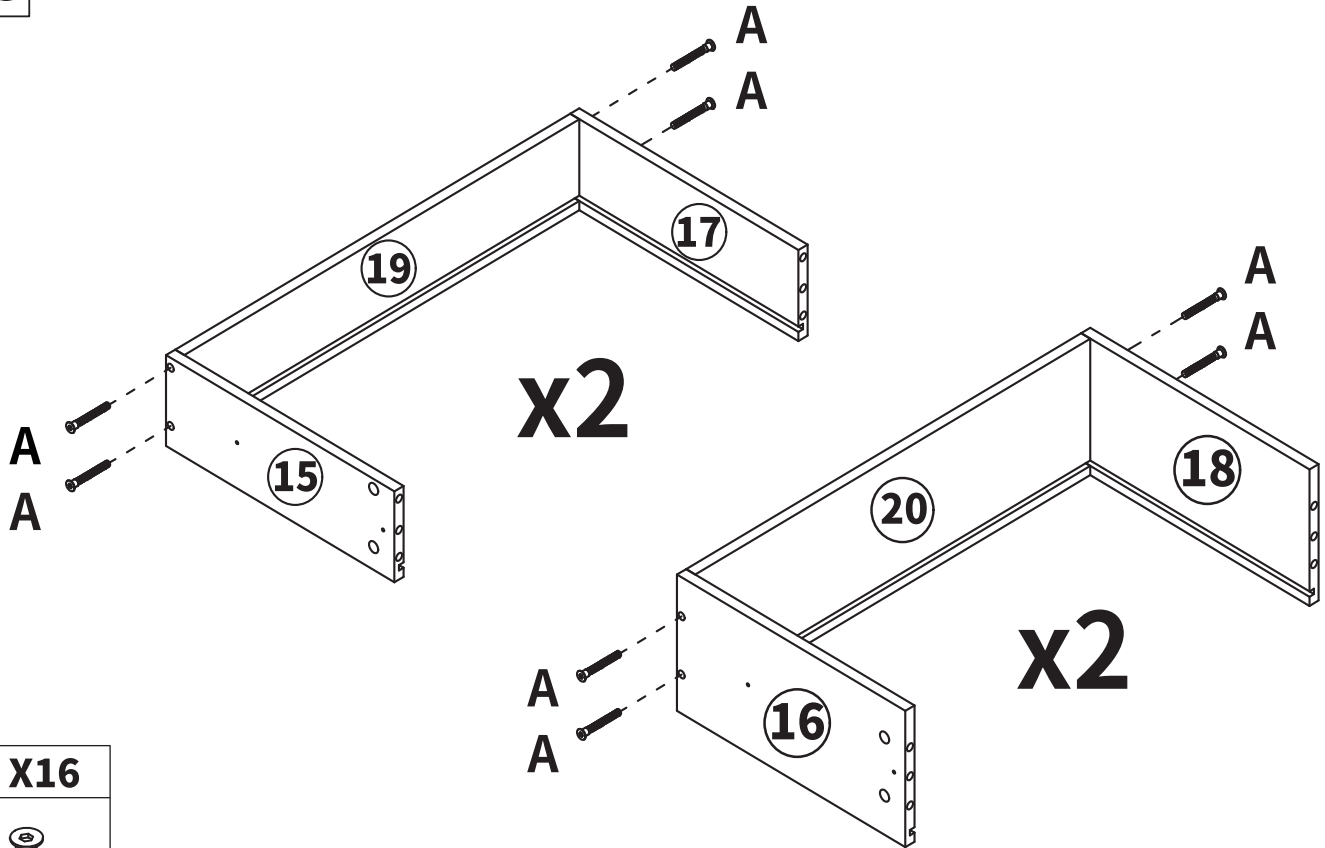
Insert (I) into the gaps between the boards as shown.  
Twist (J) to secure (I).



<b>N X4</b>	<b>O X4</b>
	
<b>J X4</b>	<b>P X4</b>
	

Mark the drilling positions on the wall.  
 Drill holes and insert (O).  
 Twist (J) through (P) into (1), (10), and (11) respectively.  
 Twist (N) through (P) into (O).

**18**

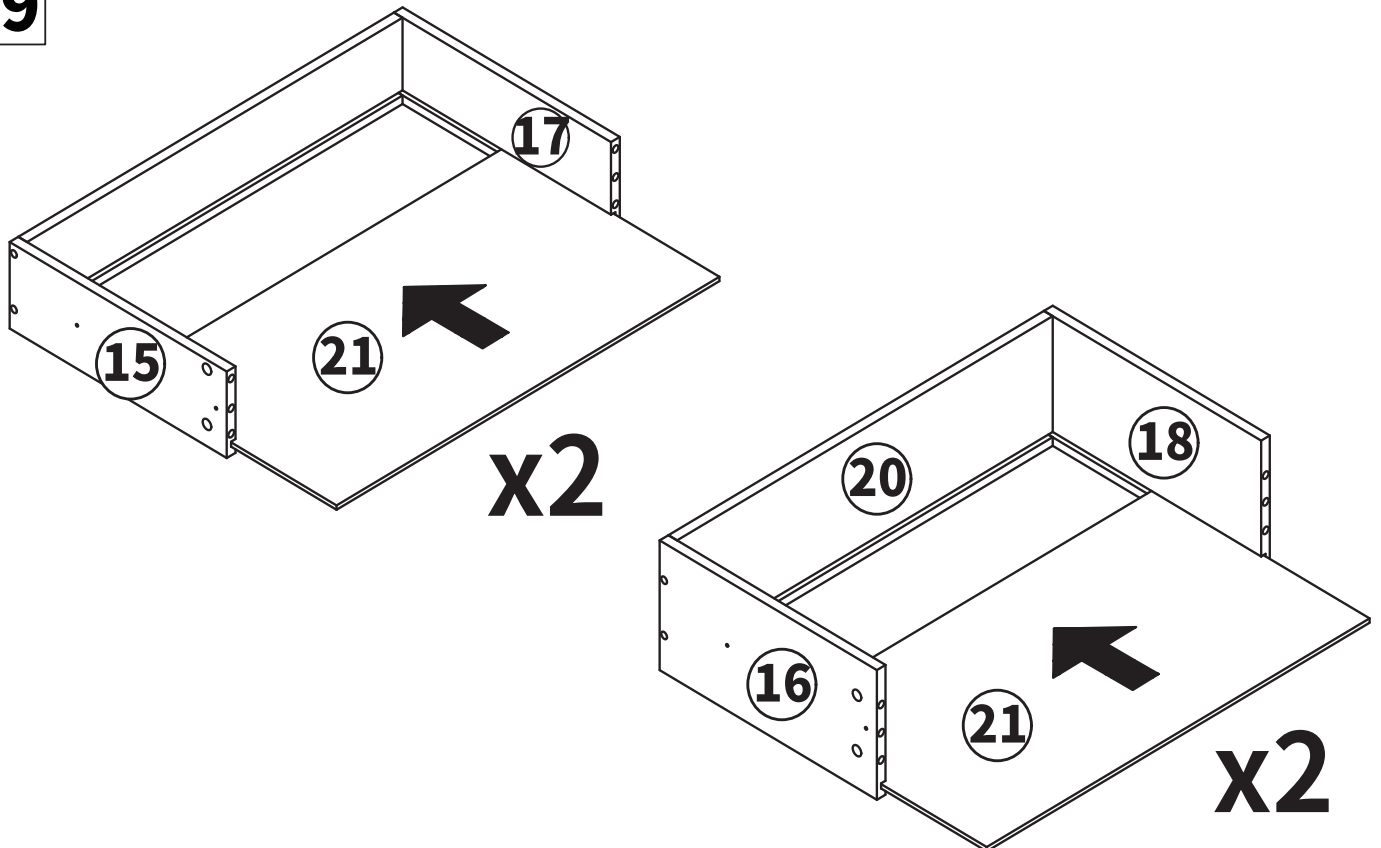


**A X16**



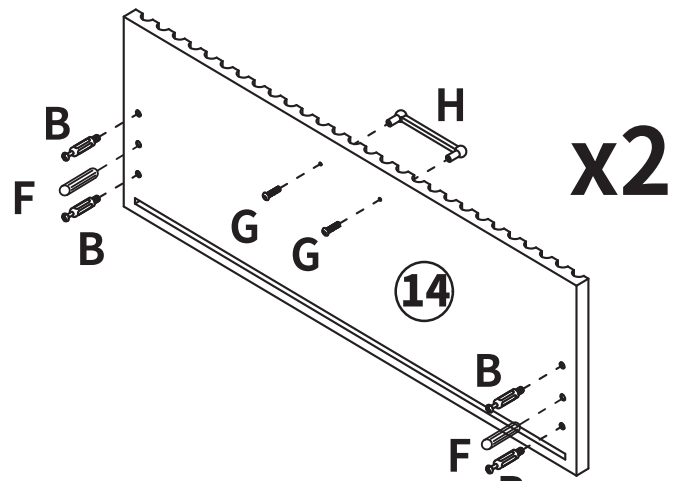
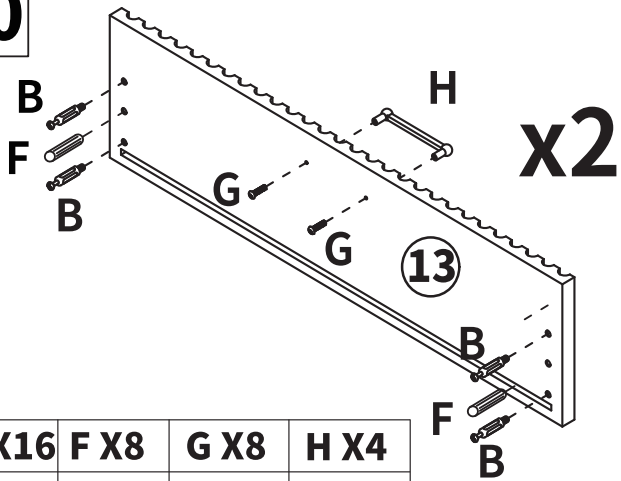
Twist (A) through (15) (17) into (19).  
Twist (A) through (16) (18) into (20).




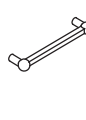
**19**



Insert (21) into the grooves as shown.

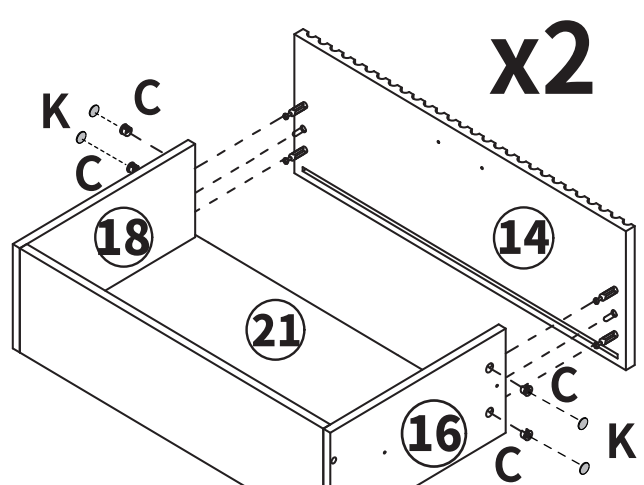
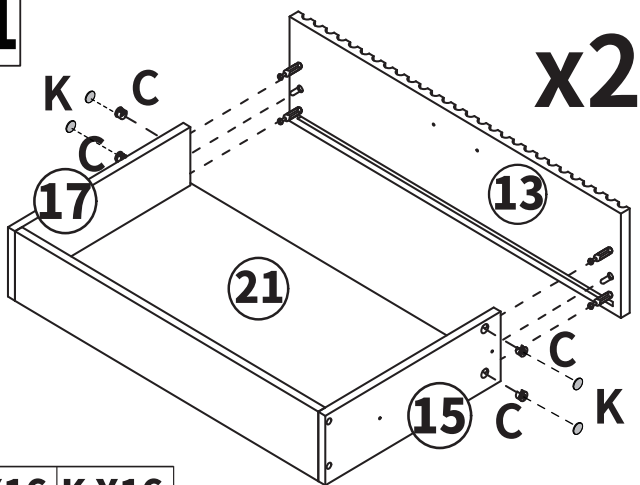
20





<b>B X16</b>	<b>F X8</b>	<b>G X8</b>	<b>H X4</b>
			

Twist (B) vertically into the holes in (13) (14).  
 Insert Dowels (F) into the holes in (13) (14).  
 Twist (G) through (13) (14) into handles (H).

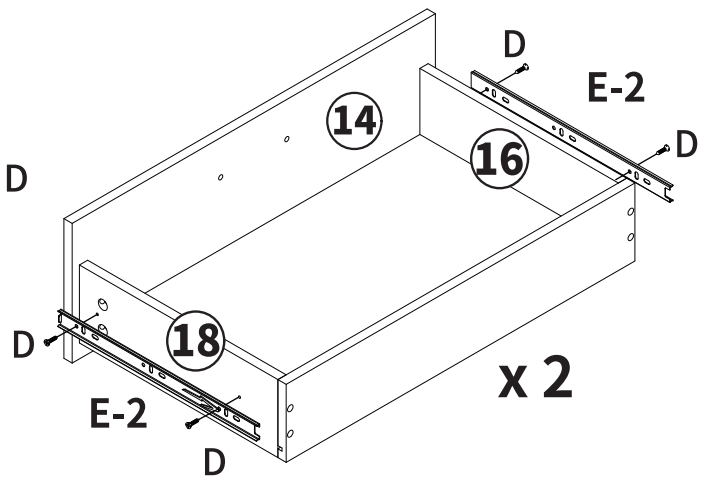
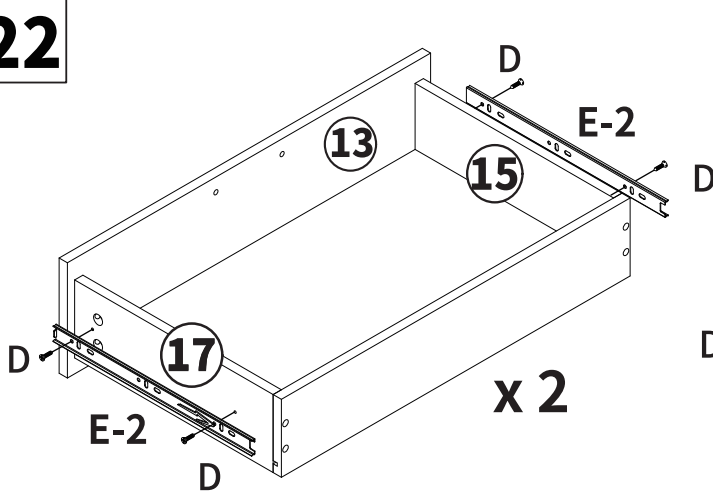
21


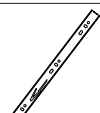


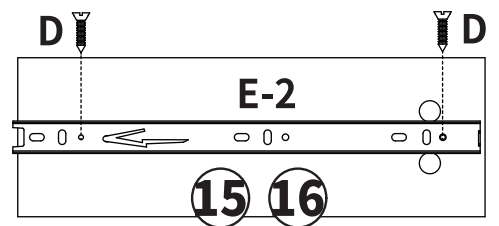
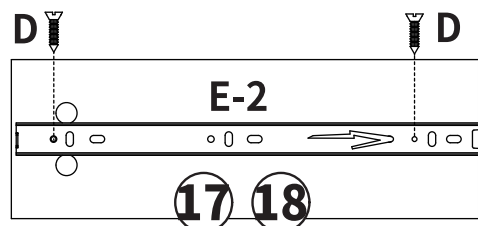
<b>C X16</b>	<b>K X16</b>
	

Connect (13) to (15) (17) and secure with (C).  
 Connect (14) to (16) (18) and secure with (C).  
 Make sure (21) fits into the grooves in (13) (14).  
 Use (K) to cover the exposed holes for a clean finish.

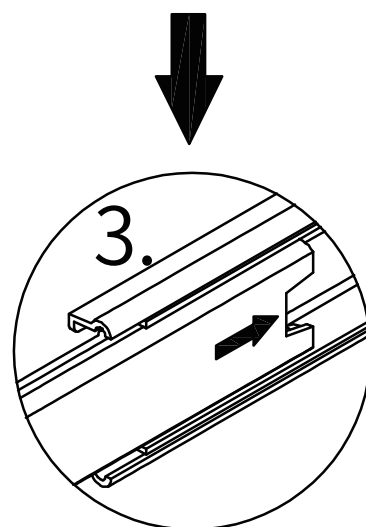
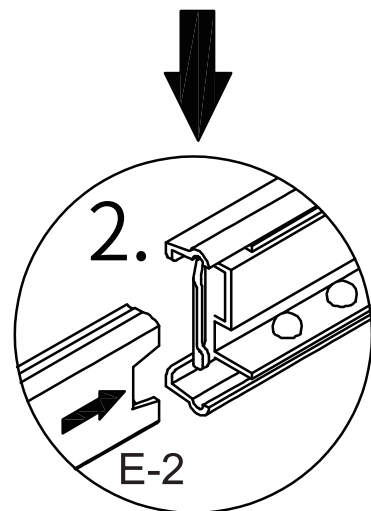
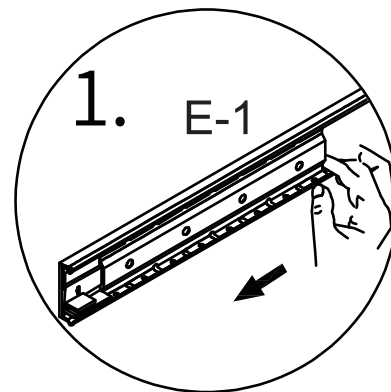
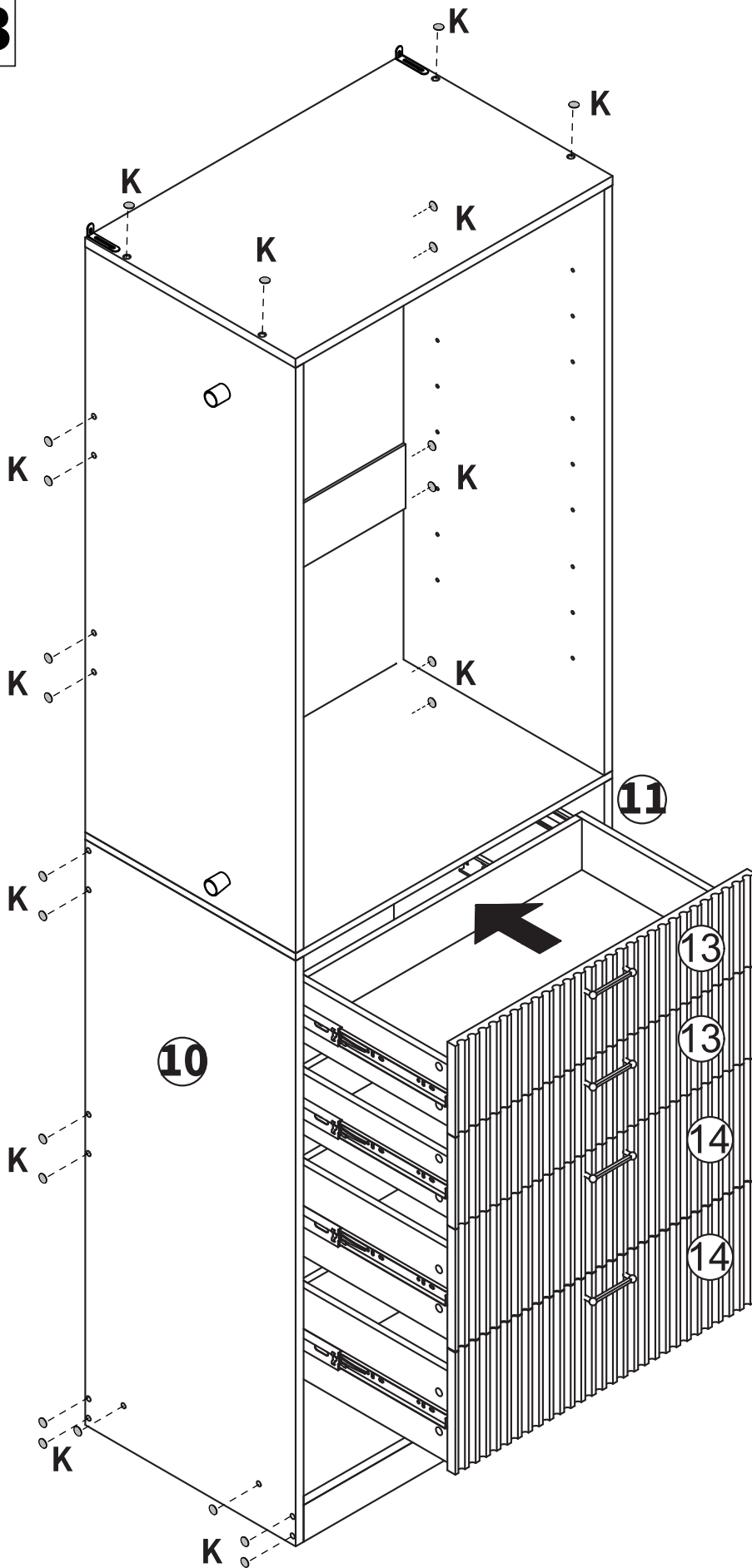
22



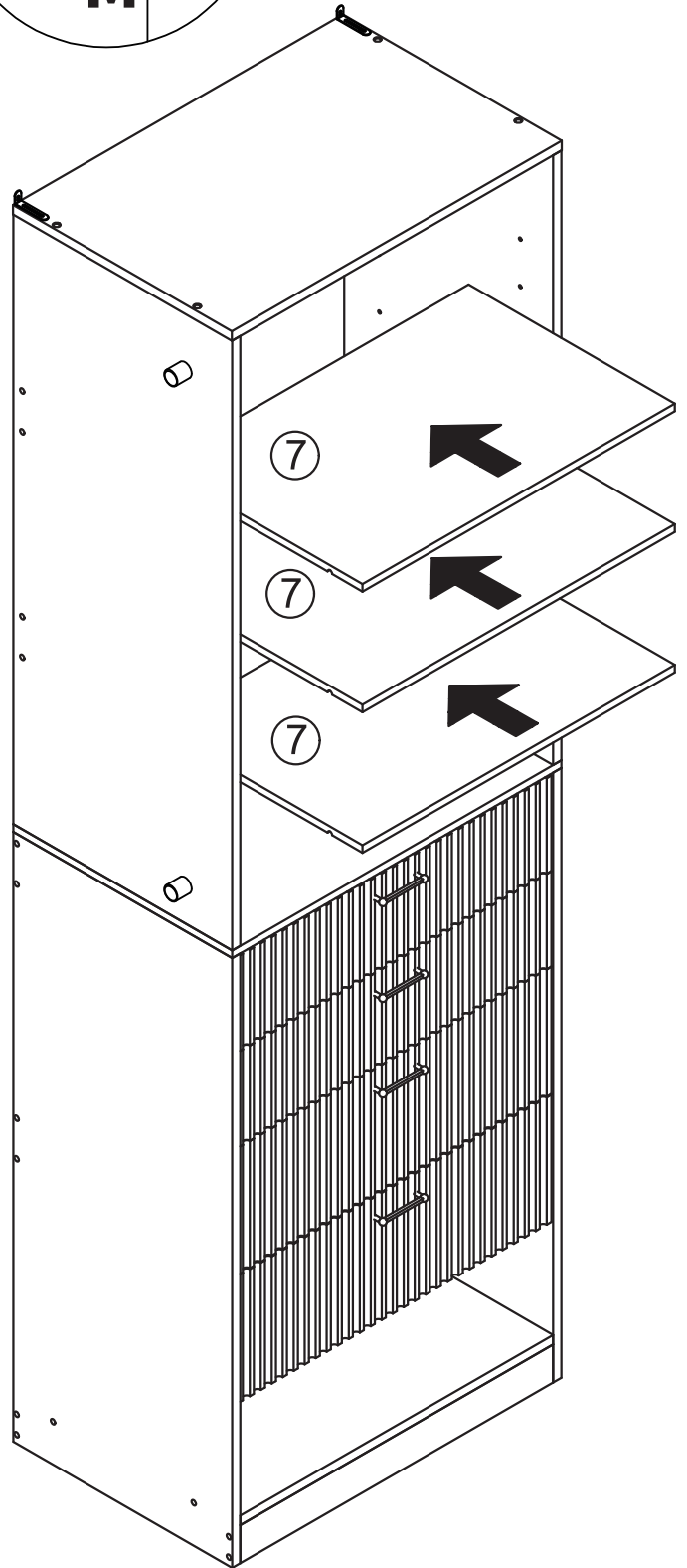
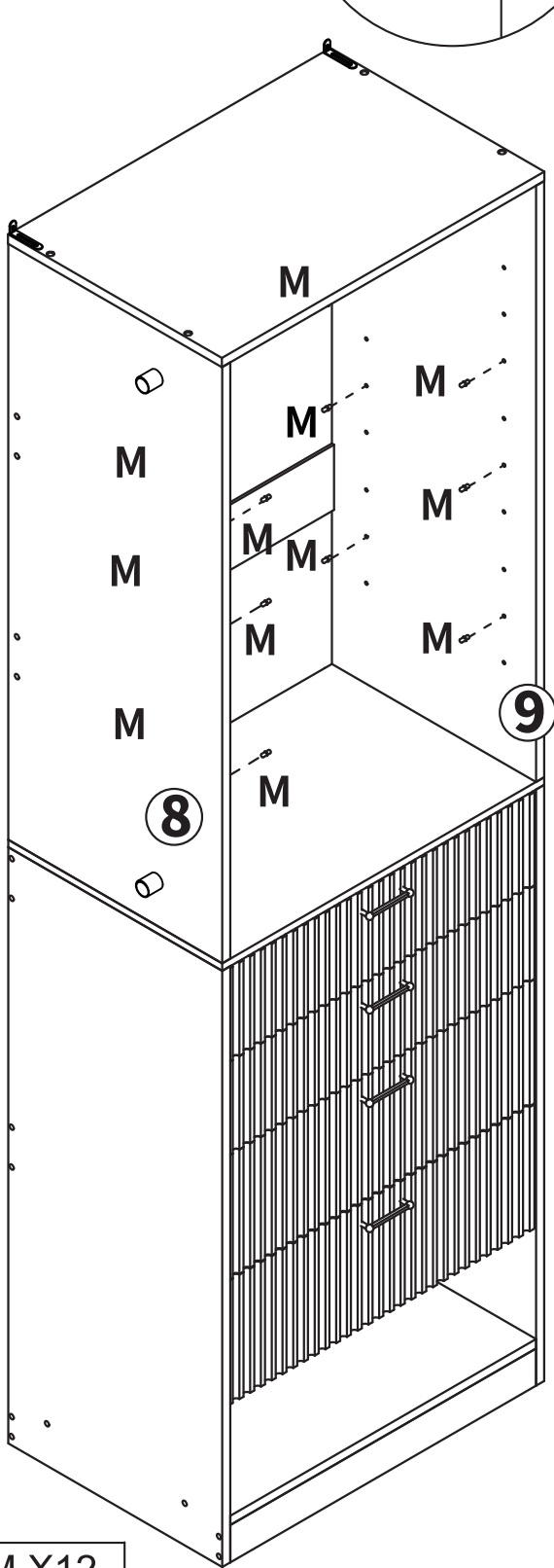
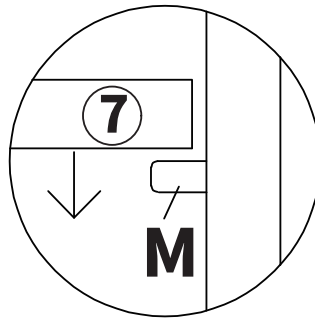
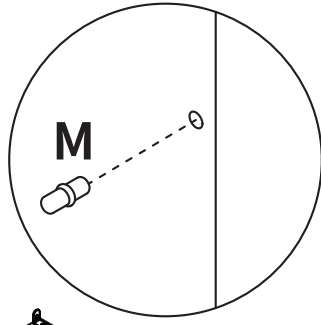
<b>DX16</b>	<b>E-2 X8</b>
	



Twist (D) through (E-2) into (15) (16) (17) (18).



Insert (E-2) into (E-1), as shown.  
Cover all exposed holes with (K).

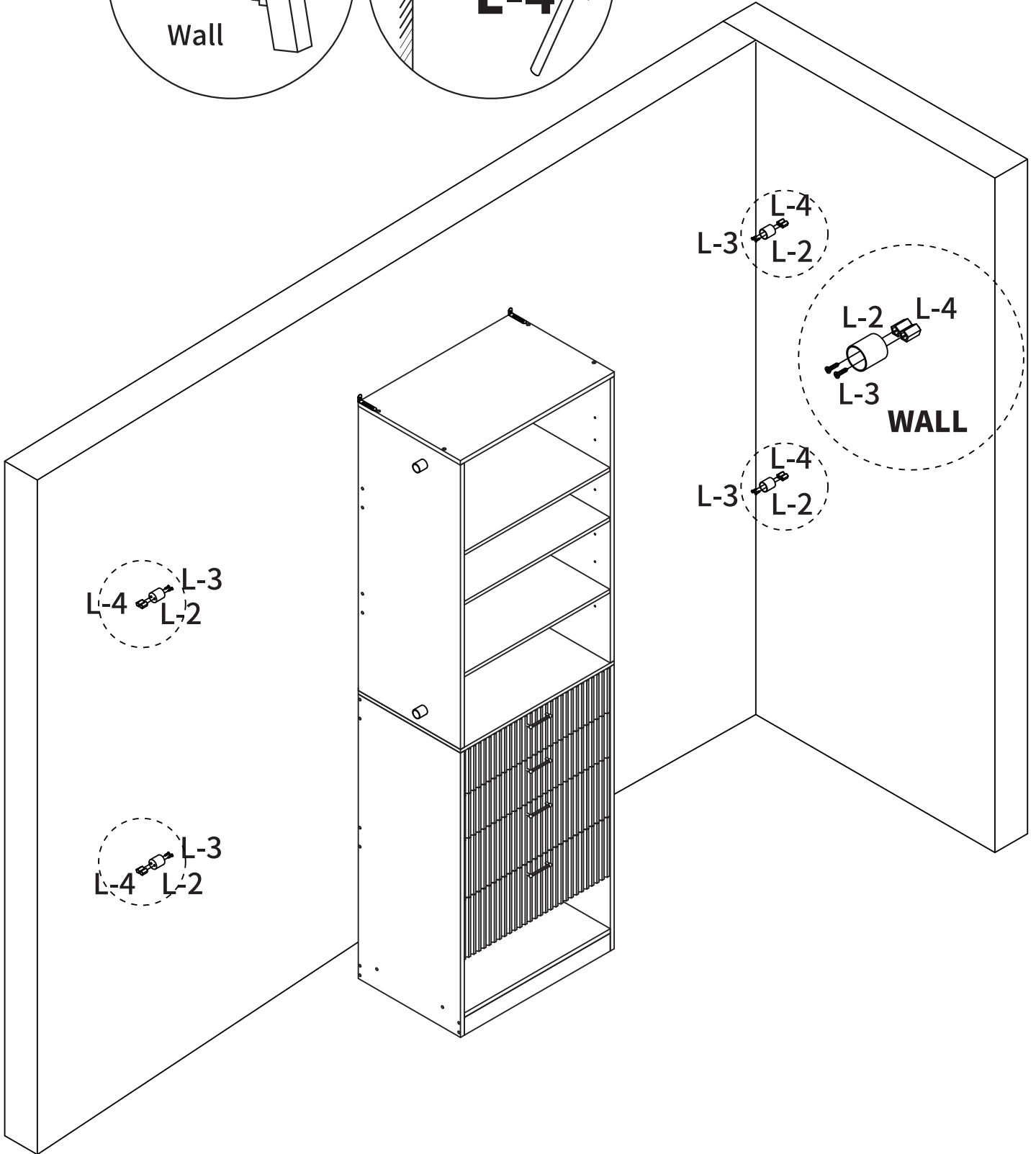
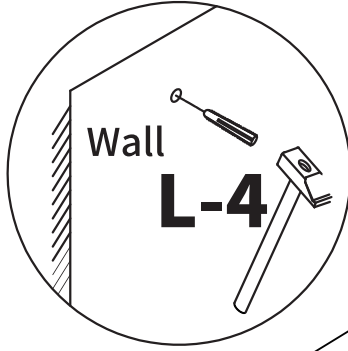
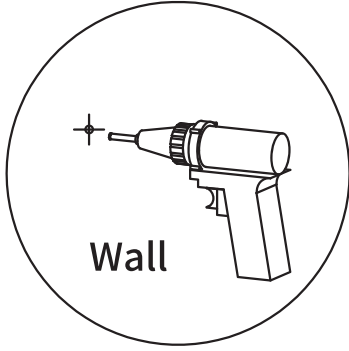


M X12



Insert (M) into (8) (9).  
Place (7) onto (M).  
Select different holes for your preferred shelf height.

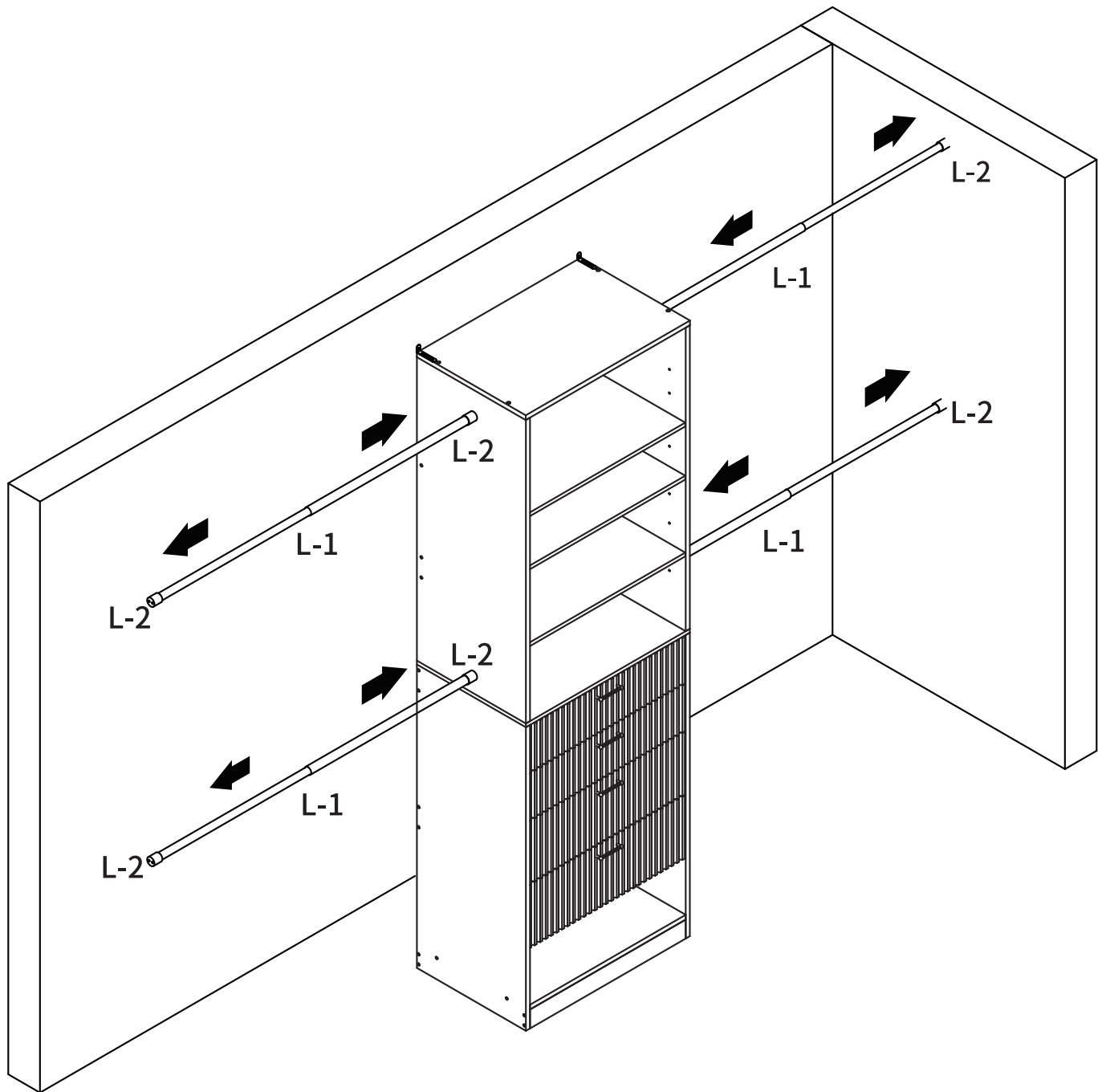
25



**L X4**



25. Mark the drilling positions on the wall.  
Drill holes and insert (L-4).  
Twist (L-3) through (L-2) into (L-4).



Insert (L-1) into (L-2).

Adjust the length of (L-1) by sliding the rod as needed.

For better load balance and stability, we recommend not fully extending the rods. Leave at least 4 inches of overlap in the center when adjusting the rods.

**L X4**

L-1

