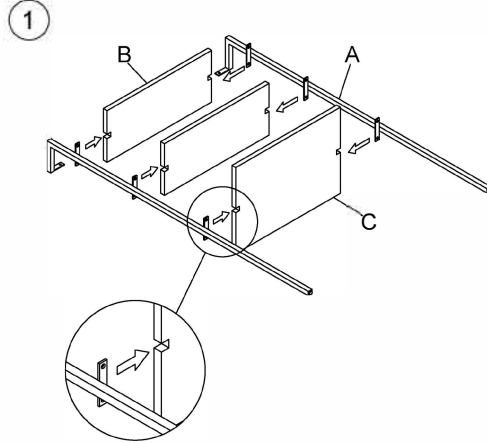


ASSEMBLY INSTRUCTIONS

AX2 		BX2 	CX1
DX12 	EX12 	FX1 	Extra Hardware D-2 pcs E-2 pcs

- Note: 1. Please do not tight any bolt unless all bolts are fixed at their respective places.
 2. After fixing the bolts tighten them simultaneously.
 3. Matching Parts Bolt (example AtoA)



ASSEMBLY INSTRUCTIONS

