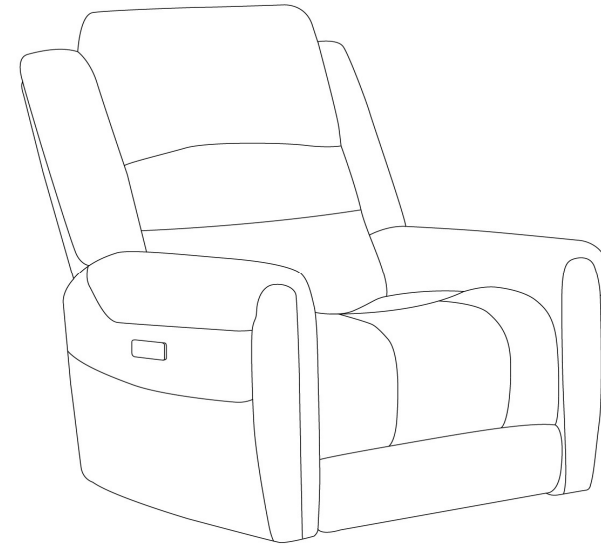


LY & S Assembly Instructions

Power Recliner

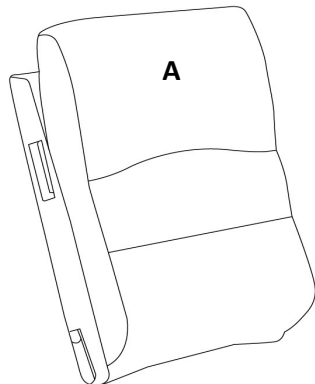
IMPORTANT NOTE

Please read. Check for all parts and read each step carefully before assembling. Remove parts from bag. Organize parts in groups by function in designated area to prevent loss. Avoid damage to parts by assembling on soft surface.

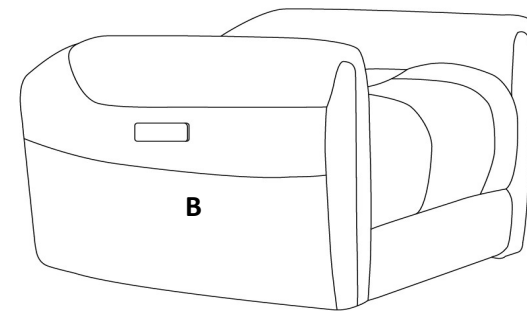


Part List

A. Back
1 piece



B. Seat x1; Wings x2; Transformer x1



LY & S Assembly Instructions

Assembly Instructions

STEP 1

Detach the transformer and wings from the back and bottom of the Seat (B). (See Figure 1.)

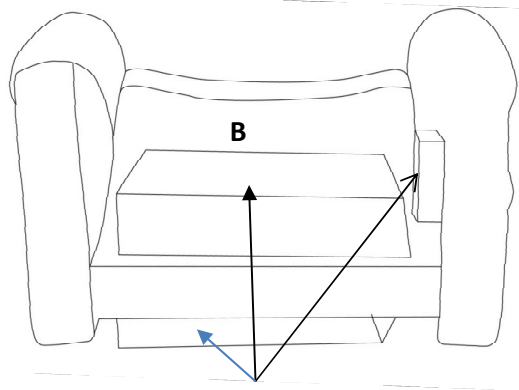


Figure 1

STEP 2

Attach the Back (A) to the Seat (B). Ensure the latches fit well. (See Figure 2.)

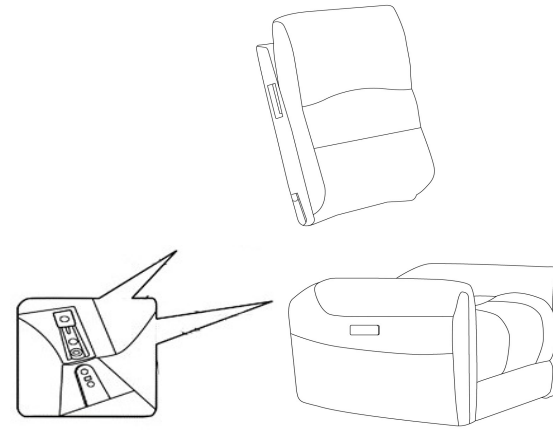


Figure 2

STEP 3

Pass the headrest cable through the hole in the back of the seater (See Figure 3.)

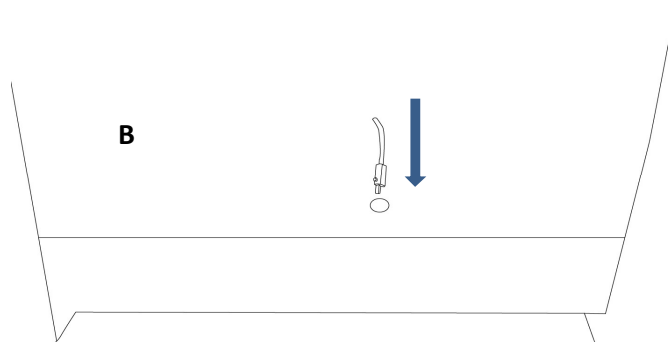


Figure 3

STEP 4

Connect the headrest cable to the power button control cable, and place them behind the flap. Connect the transformer cable to the power button control cable, and place them behind the flap(See Figure 4.)

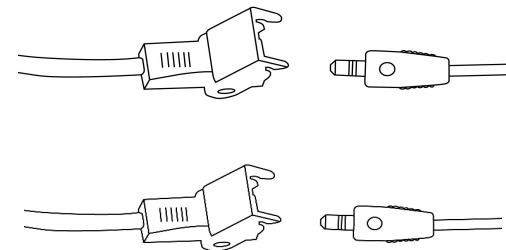


Figure 4

LY & S Assembly Instructions

STEP 5

Attach the Wings to the Back (A). Ensure latches are secure. (See Figure 5.)

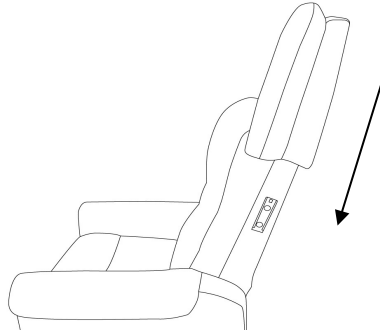


Figure 5

STEP 6

Fasten the back flap to the bottom of the furniture. (See Figure 6.)

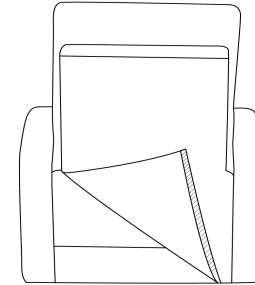


Figure 6

IMPORTANT NOTE

- To avoid any risk of suffocation to children or pets, dispose of all plastic bags immediately.
- To ensure proper performance, occasionally check for loose screws and tighten as needed.
- If the reclining functions are not working properly, check for loose cable connections before contacting the retailer.