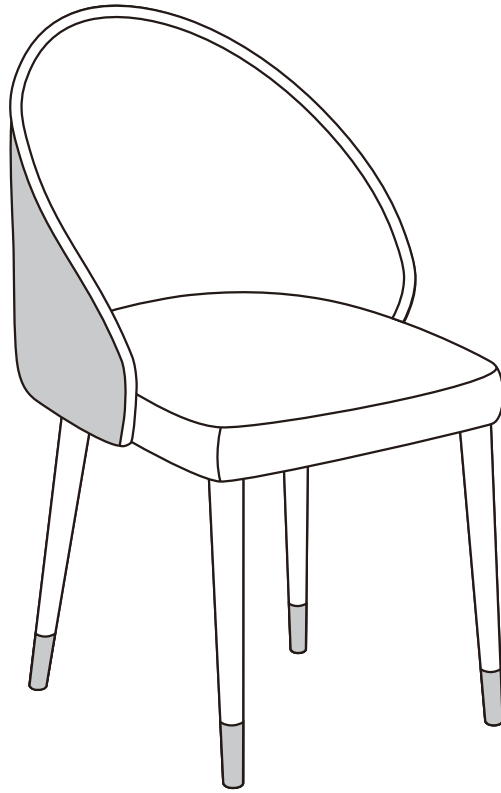


## Dining Chair

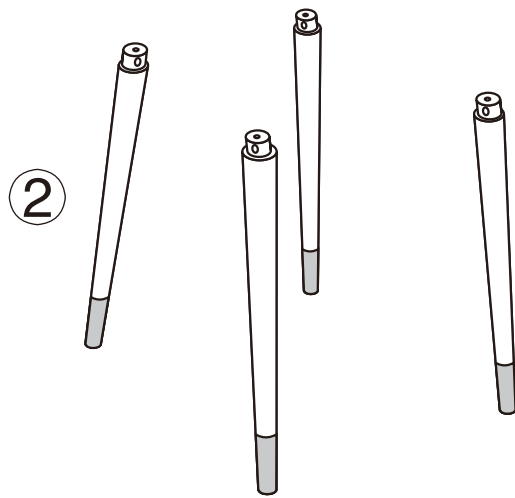
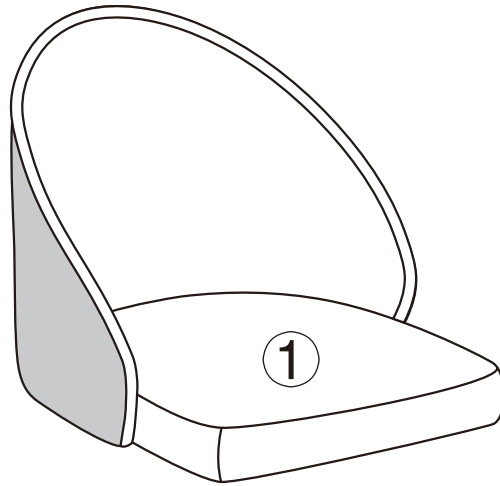


2 Persons

**W50\*D48\*H79mm**

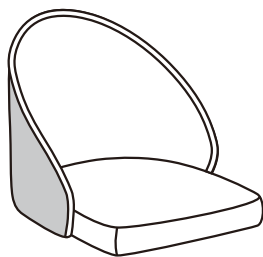
## InstallationInstructions

**Notes: Don't tighten screws completely at first, just in case parts were assembled wrongly and need disassemble. Tighten screws at last when all parts are put together.**



Disassembly and installation of accessories

1



1 PCS

2



4 PCS

A

4PCS



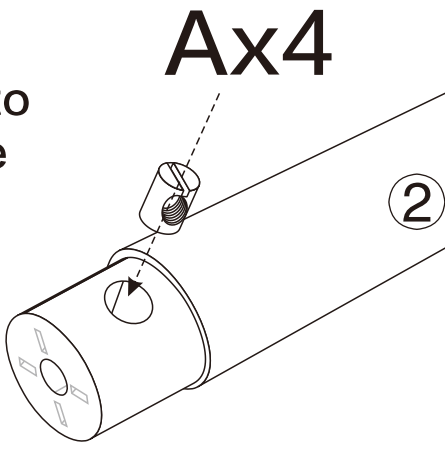
15\*10mm




Tools  
Recommended

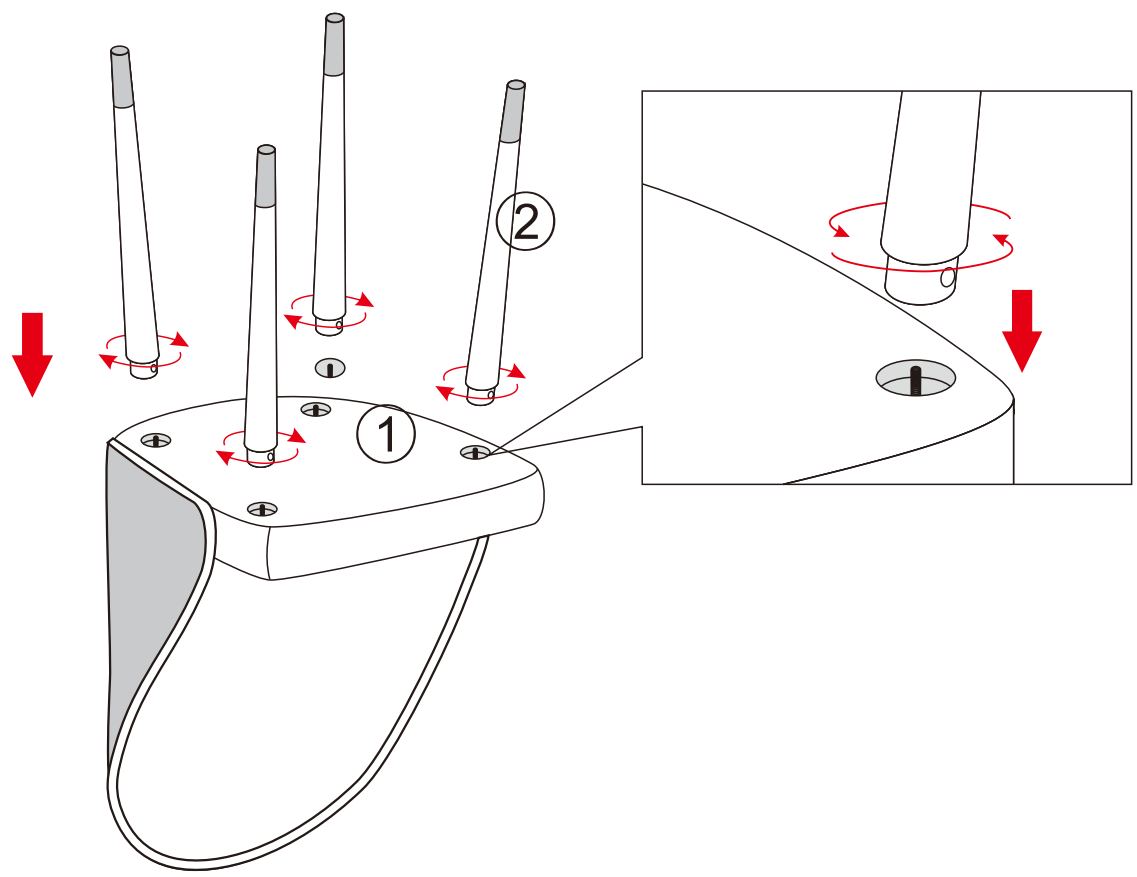
1

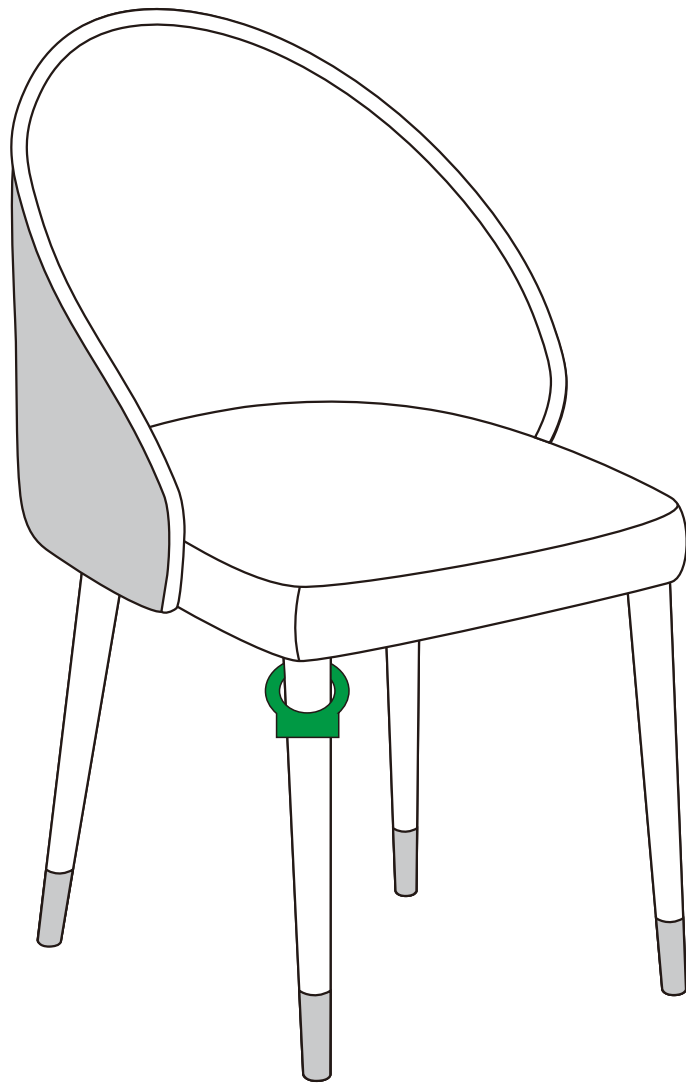
▲ Put the nut into the hole of the chair foot



A	4PCS
	
15*10mm	

2





OK