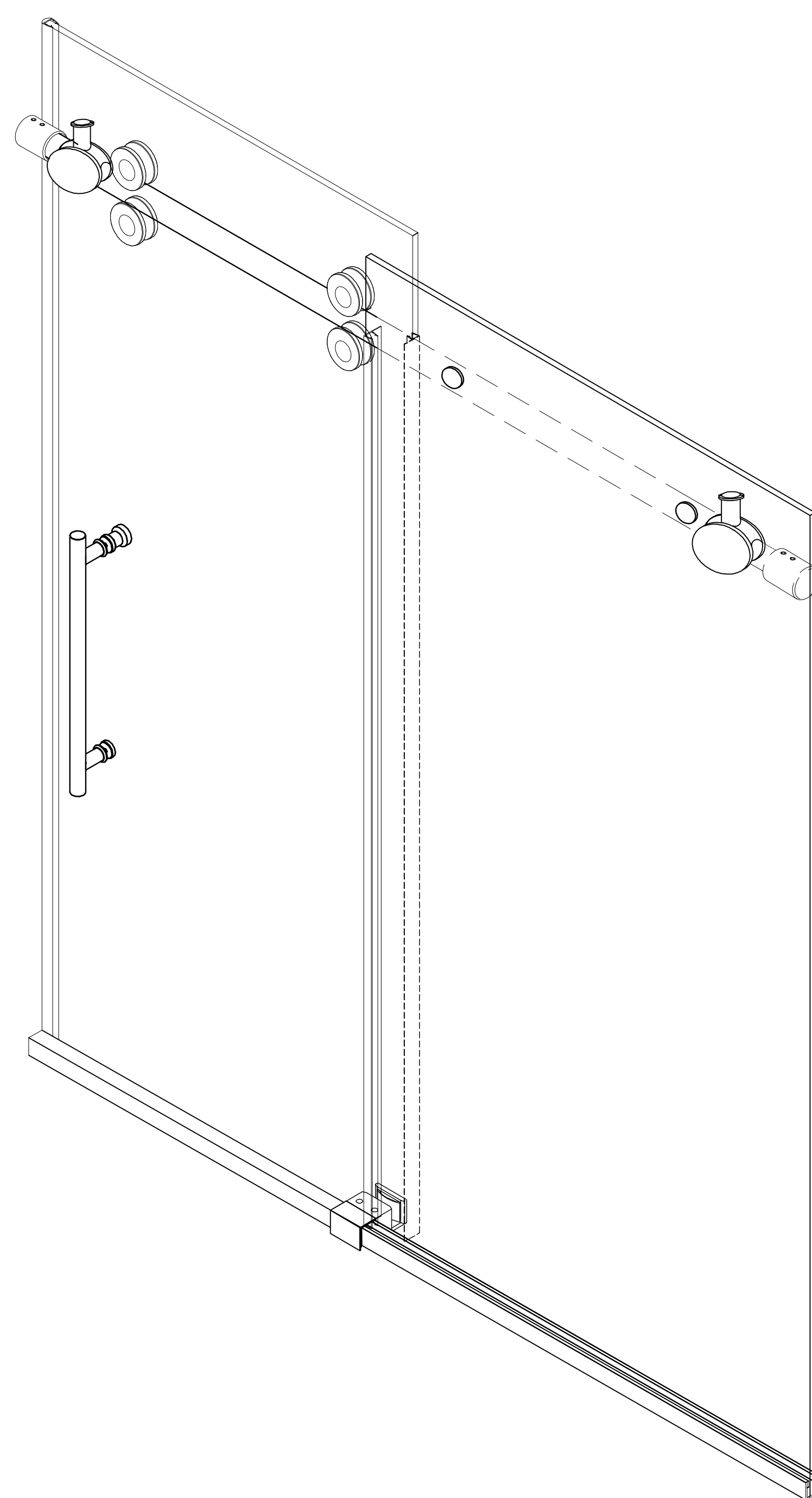


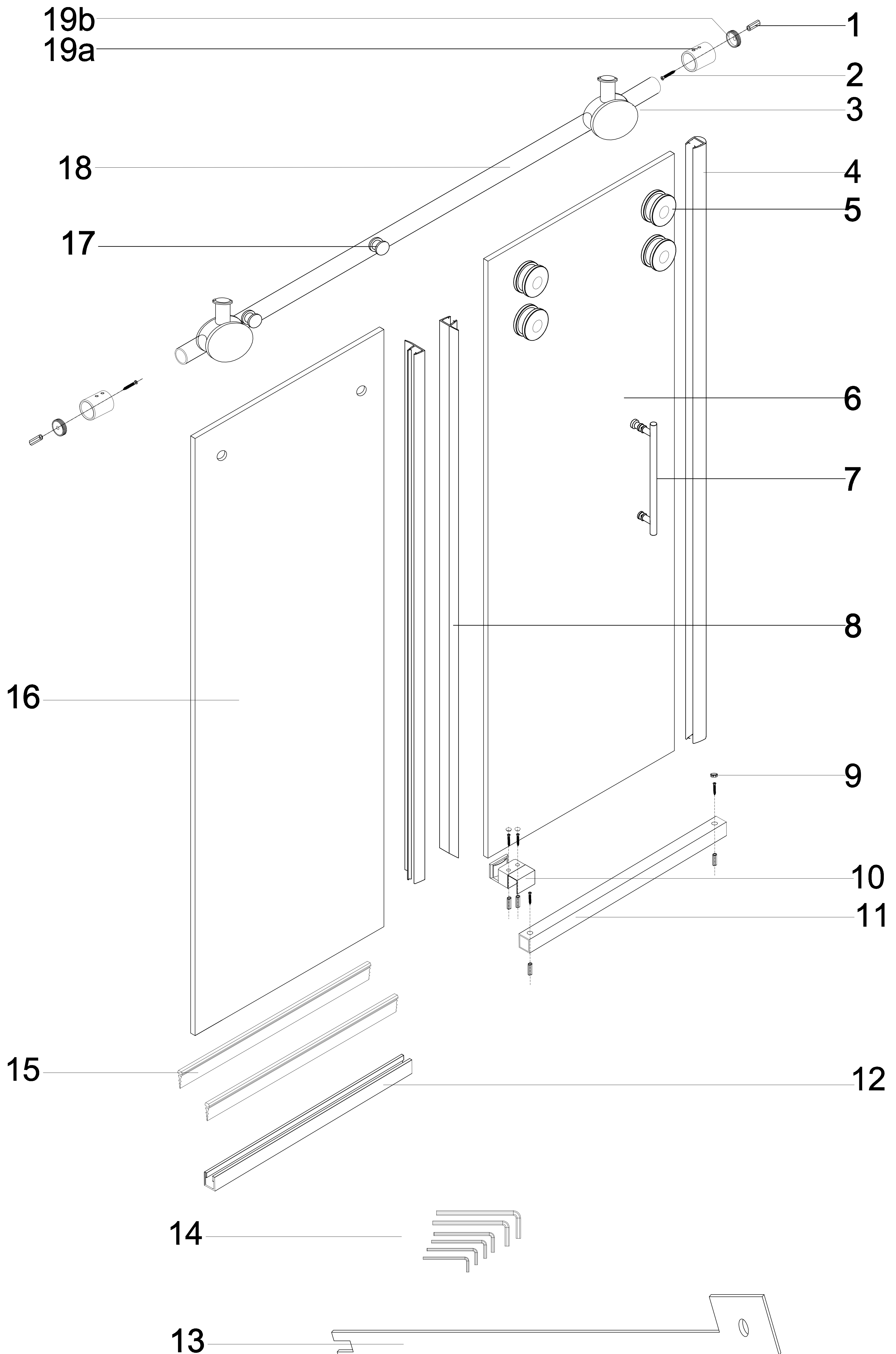
Left Hand Install



Right Hand Install

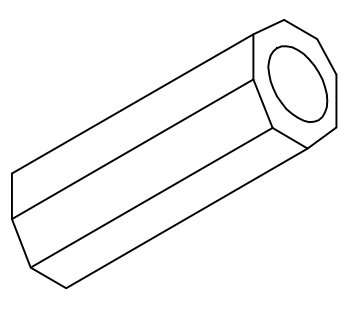
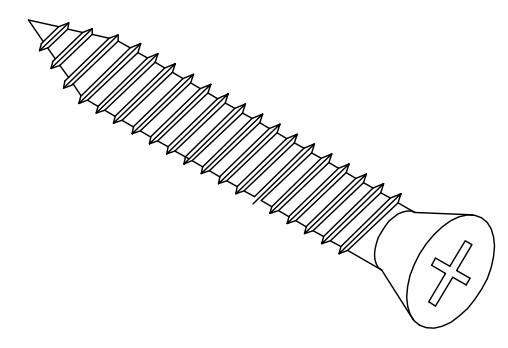
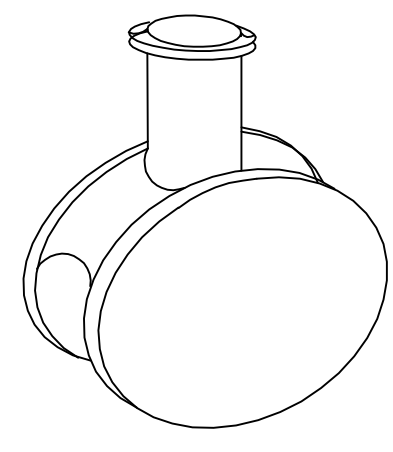
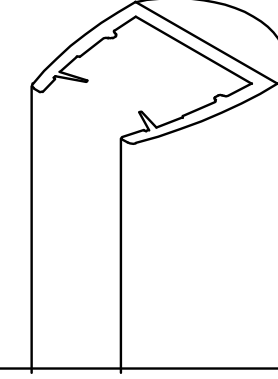
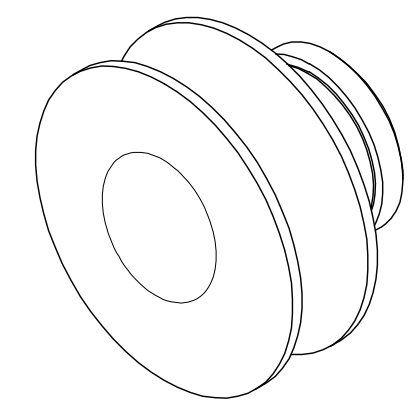
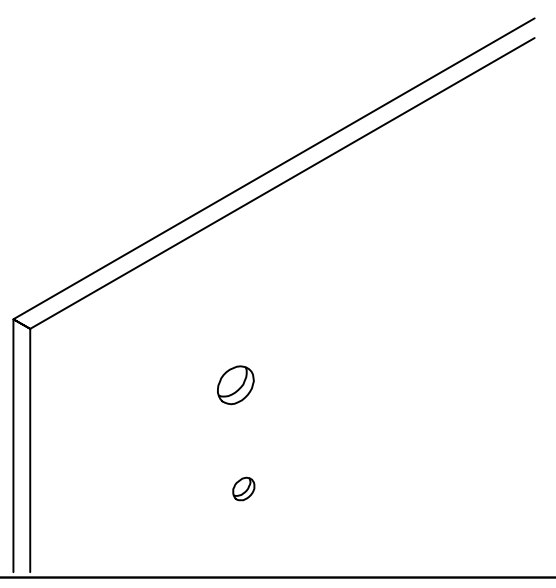
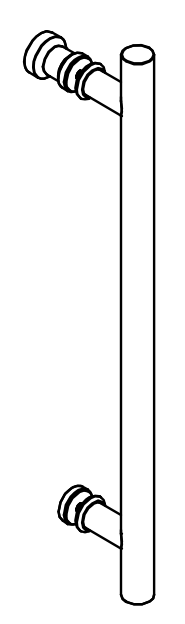
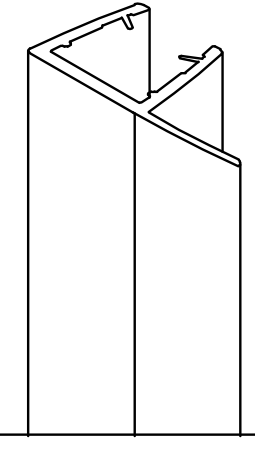
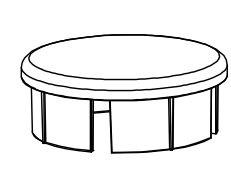
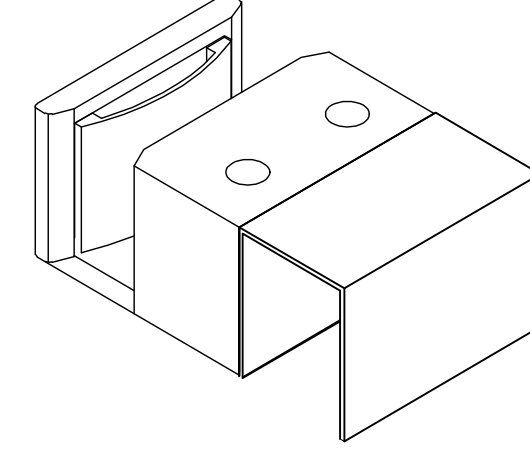
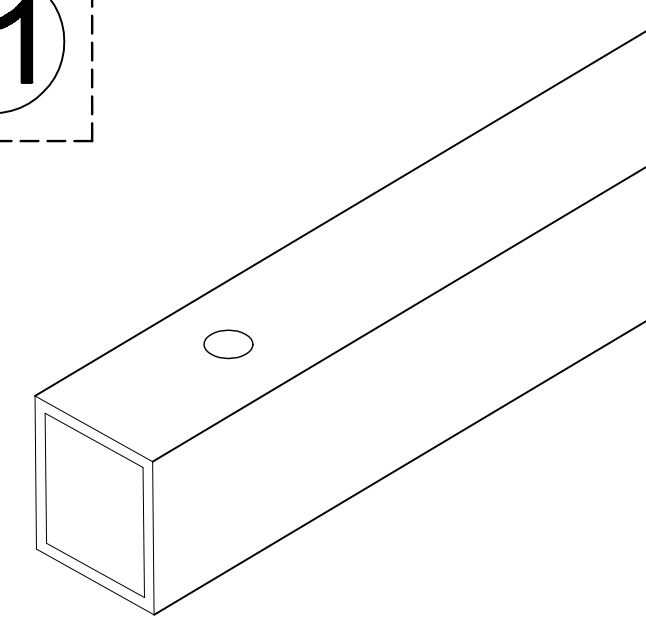
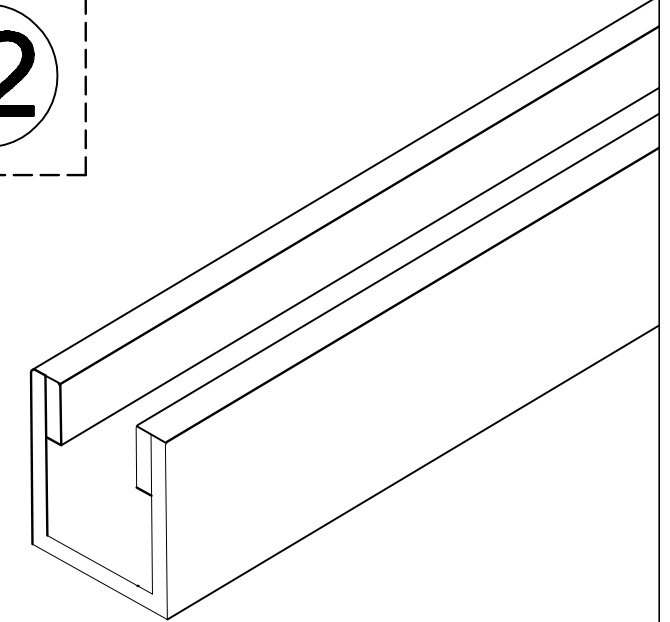
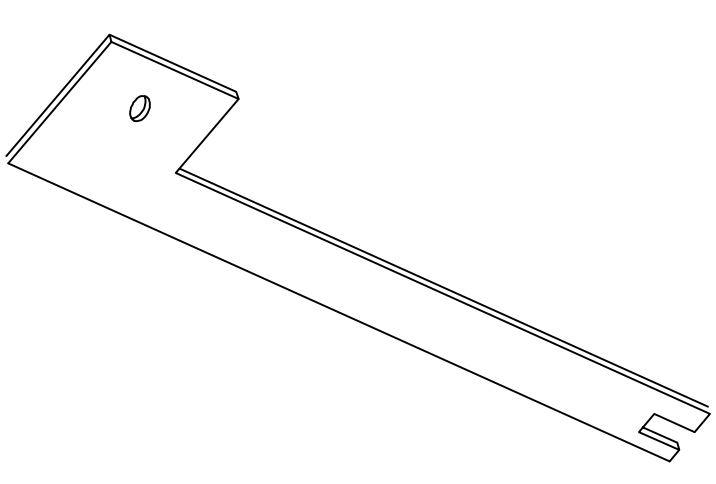
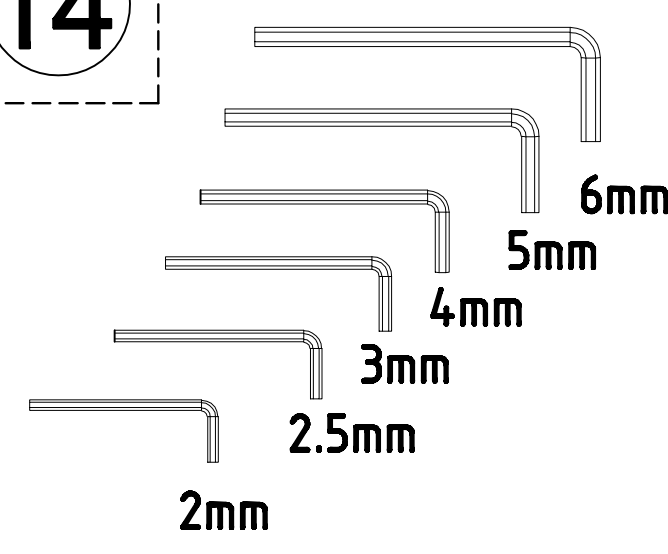
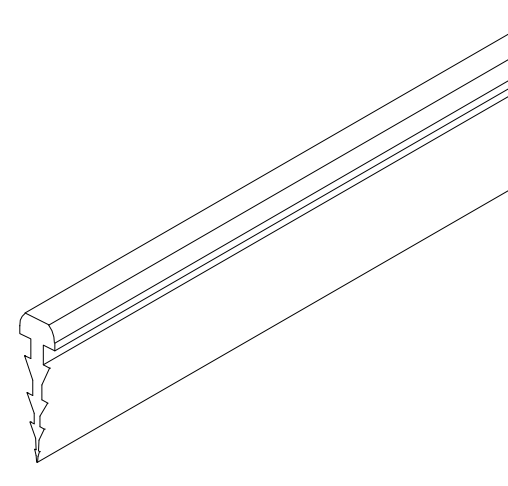
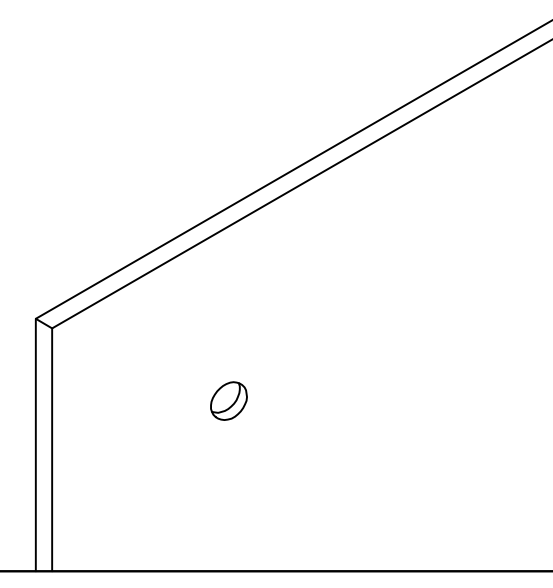
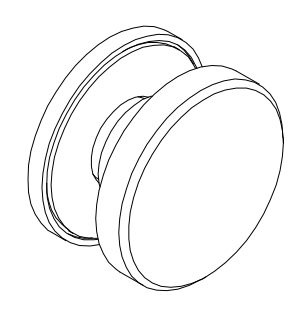
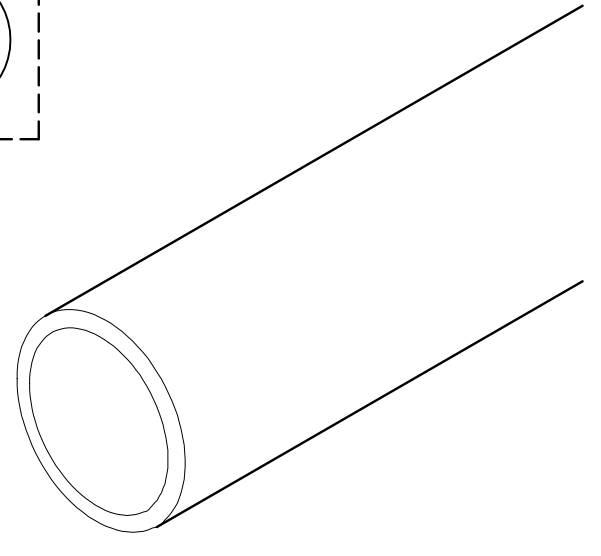
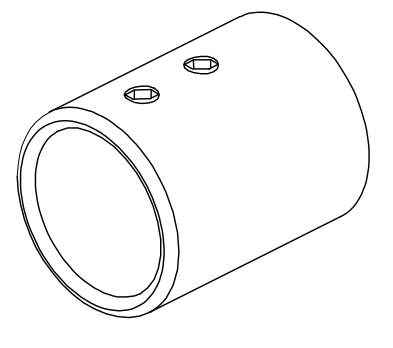
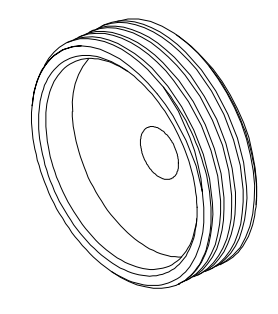
Customer Support: 1-877-897-1222
After-sale service: felyl@outlook.com
Hours of Operation: M-F 9 AM-5:00PM

Detailed Diagram

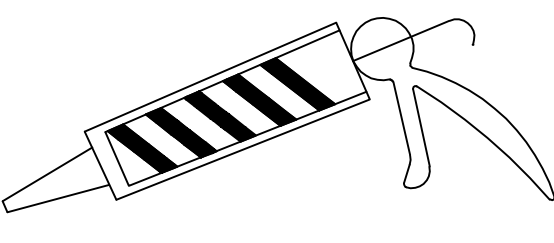
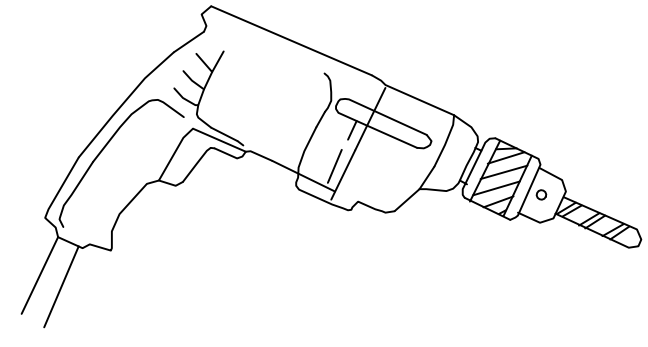
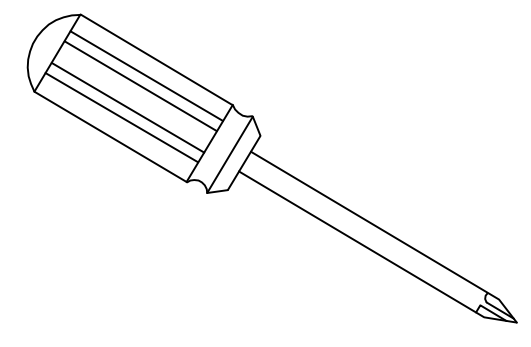
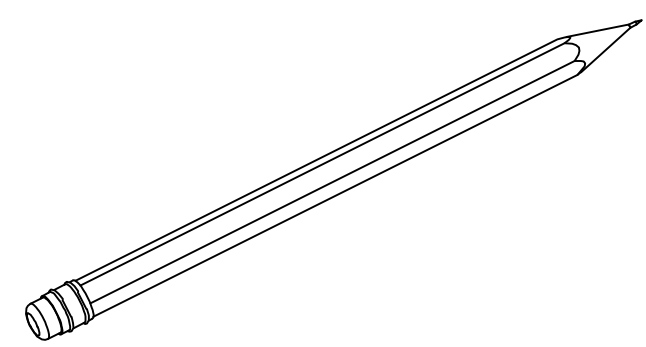
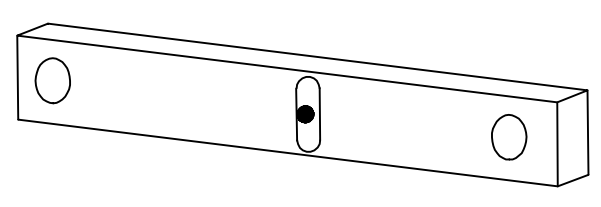
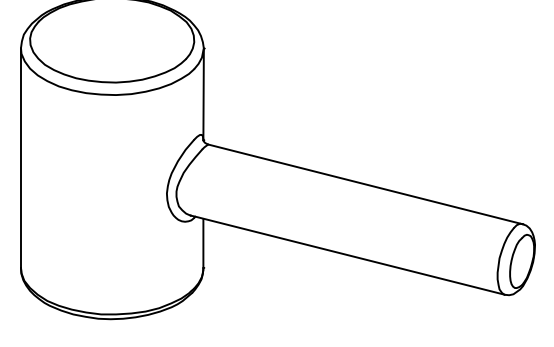
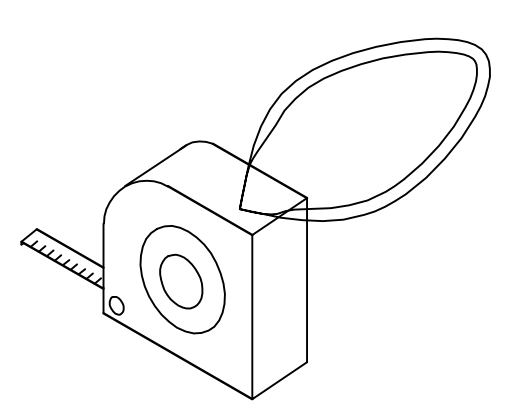
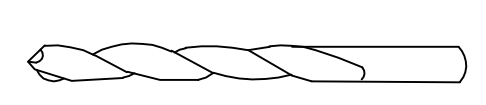
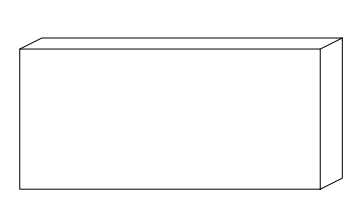
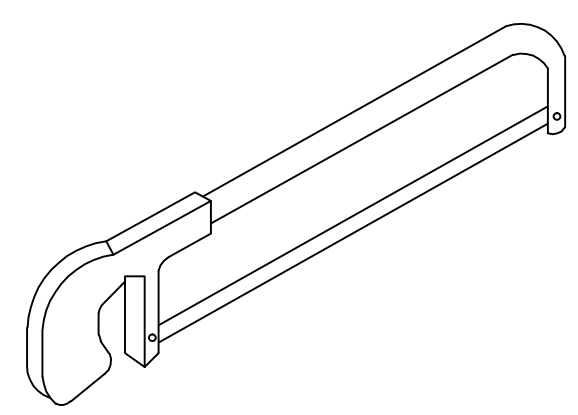




PART LIST

Check all parts according to the list before assembly . Feel free to contact with us if you need assistance .

1 	2 	3 	4 	5 	6 
Wall Anchor 6*1" (6 pcs)	Self-Tapping Screws (4*30) (6pcs)	Door Stopper (2pcs)	Bumper Strip (1 pc)	Roller (4 pcs)	Movable door (1 pc)
7 	8 	9 	10 	11 	12 
Handle (1 pc)	Water-Retaining Gasket (2 pcs)	Locating block cap (1 pc)	Door Guide (1 pc)	Sliding glass bar (1 pc)	Fixed panel piece (1 pc)
13 	14 	15 	16 	17 	18 
Template (1 PC)	Allen Wrenches (6 pcs)	One-sided strip (2 pcs)	Fixed Panel (1 pc)	Fixed Panel Fastener (2 pcs)	Top Rail (1 pc)
19a 	19b 				
Rail Wall Connector (2 pcs)	Rail Wall Connector (2 pcs)				

Recommended Tools

					
Silicone	Drill	Philips Screw Driver	Pencil	Level	Rubber Mallet
					
Tape Measure	Ø1/4" Drill Bit	Wooden Jam	Hacksaw	Safety Glass	Safety Gloves

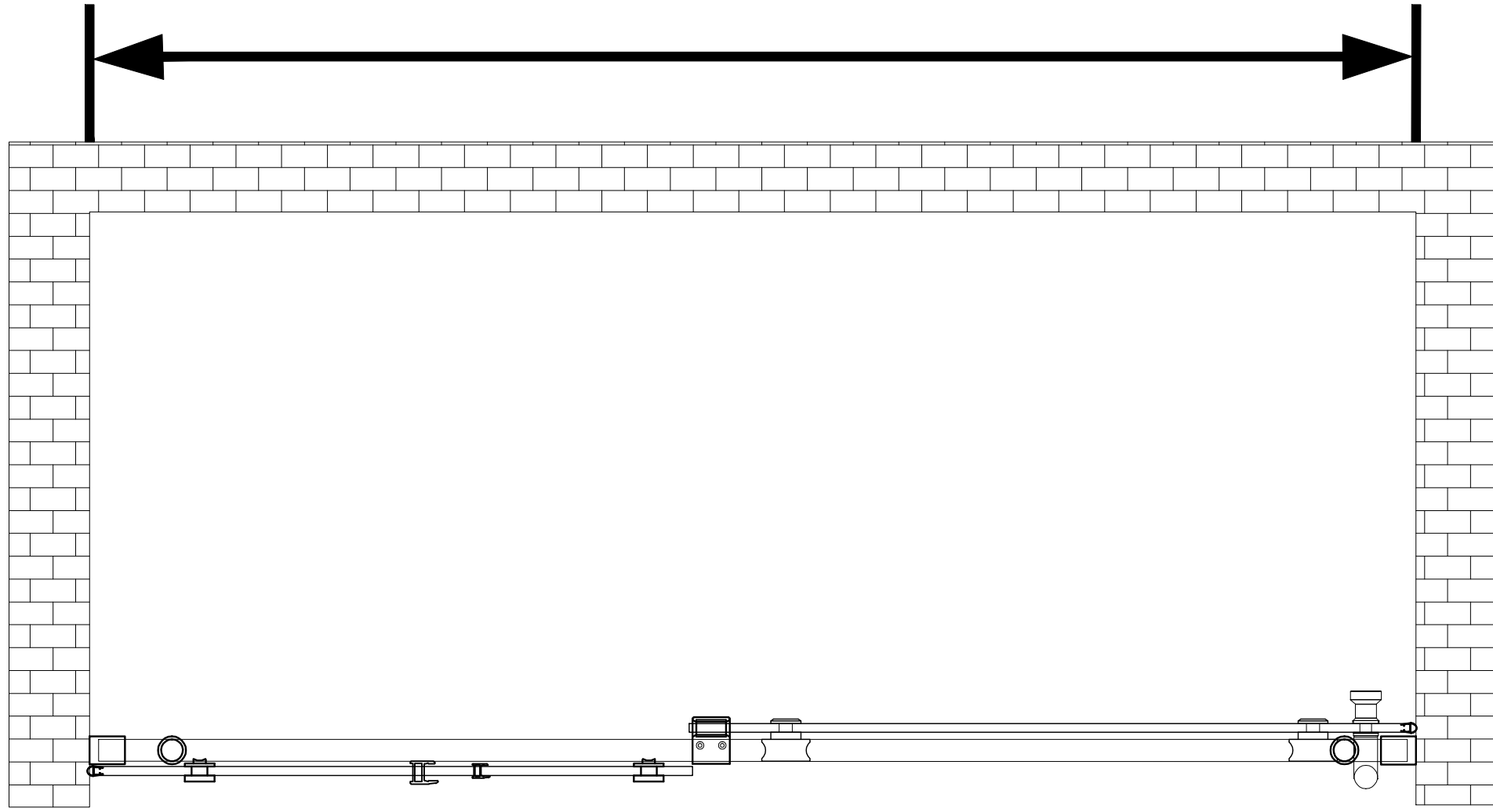
Utilize Safety Glasses and Safety Gloves when constructing this shower door

Left Hand Assembly

STEP 1: Measure opening for the correct Shower Door size.

*For 48" Shower Door your opening should be between 46-48" between the lines

*For 60" Shower Door your opening should be between 58-60" between the lines

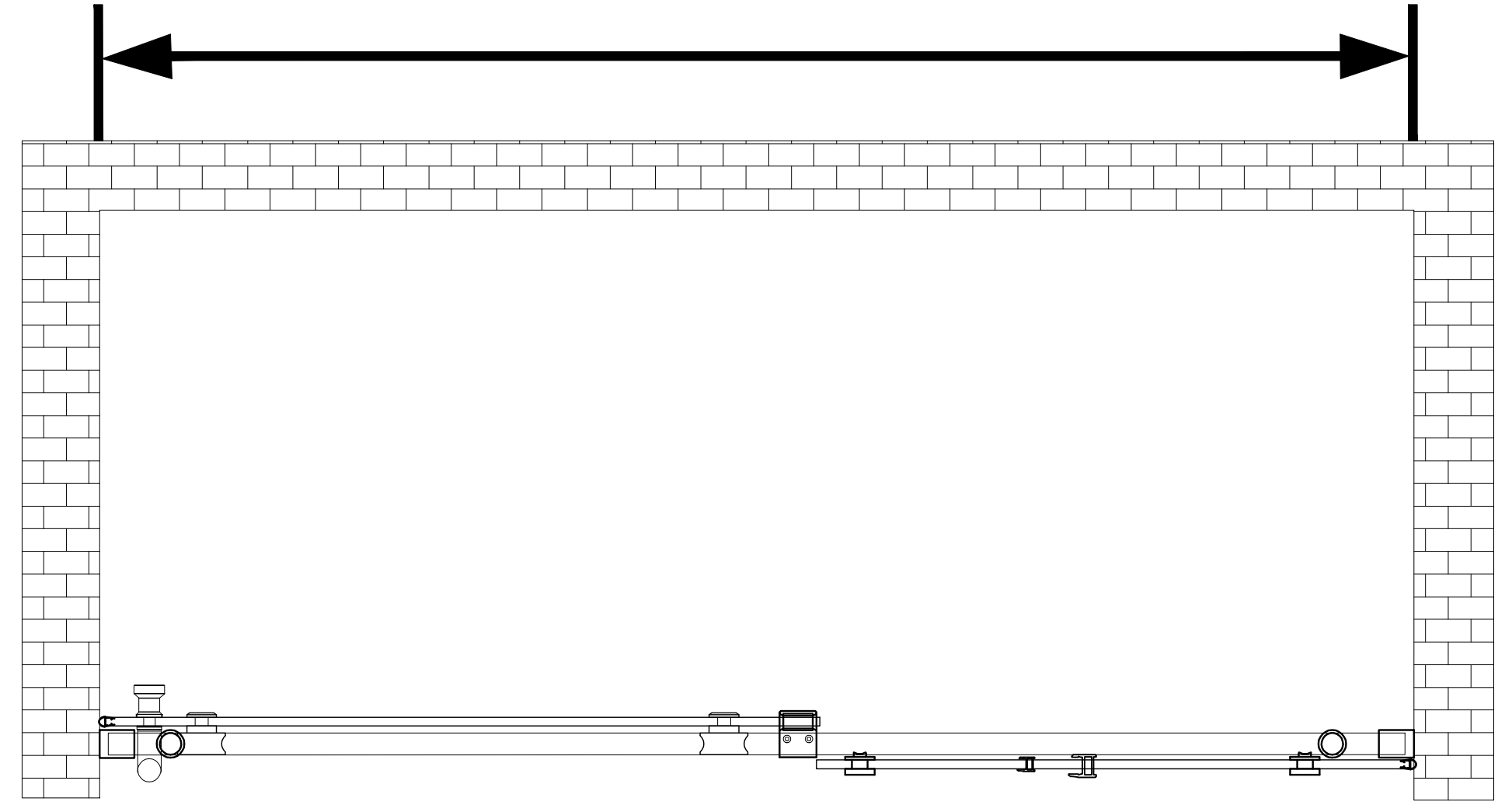


Right Hand Assembly

STEP 1: Measure opening for the correct Shower Door size.

*For 48" Shower Door your opening should be between 46-48" between the lines

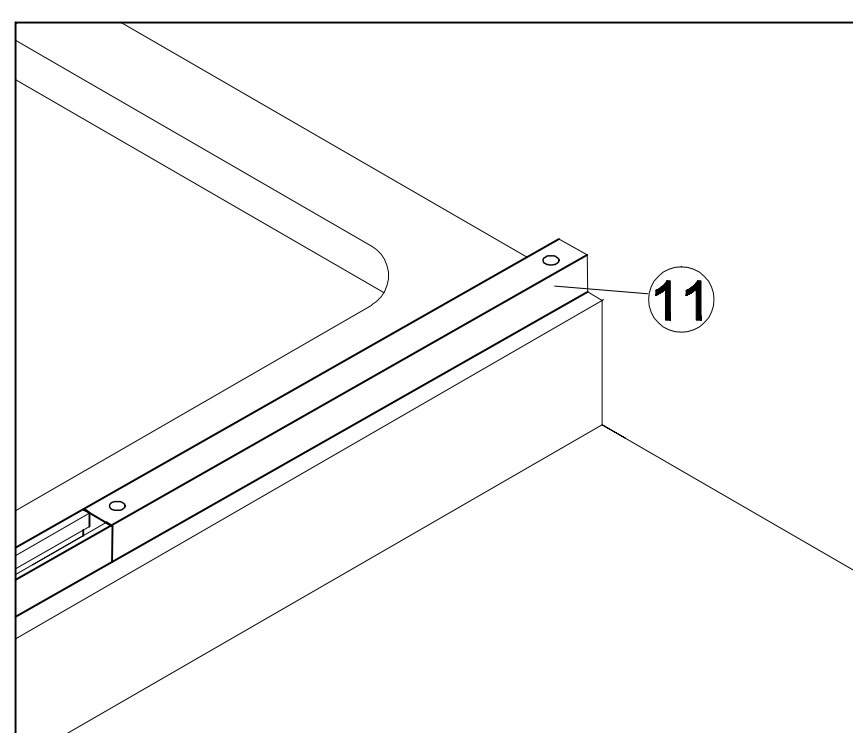
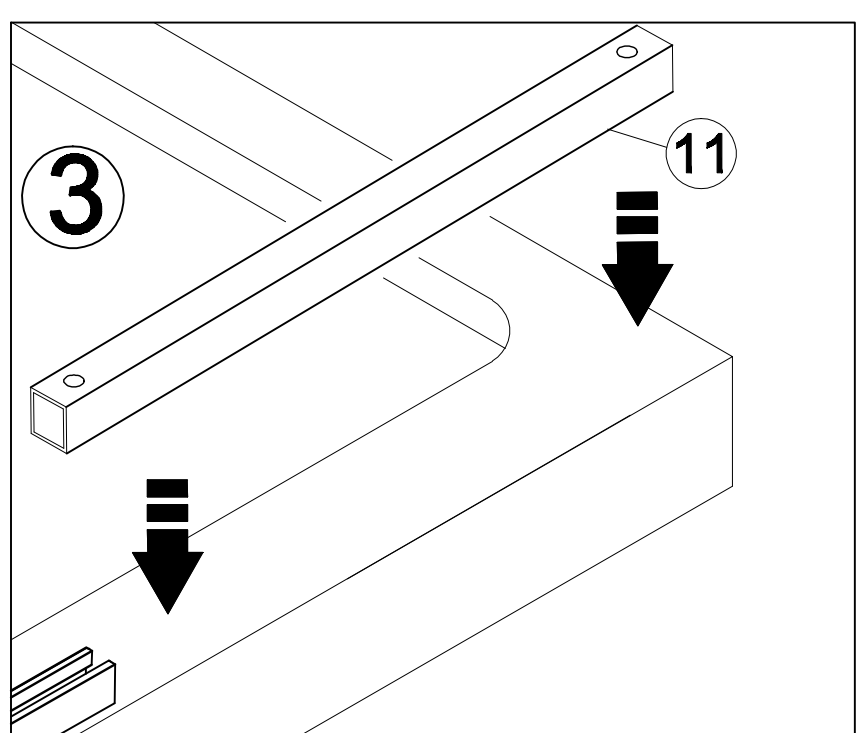
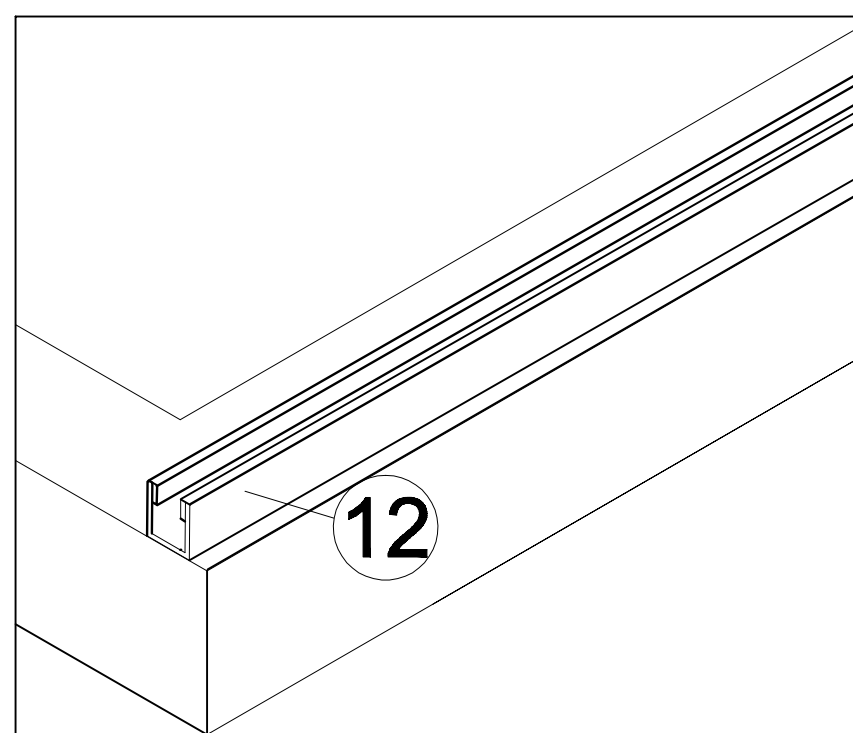
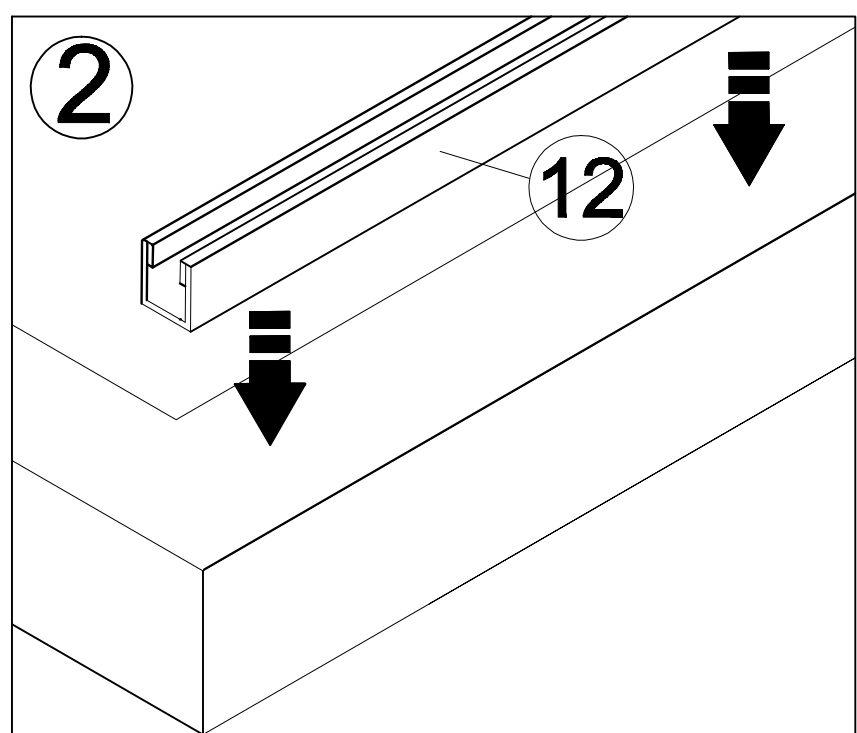
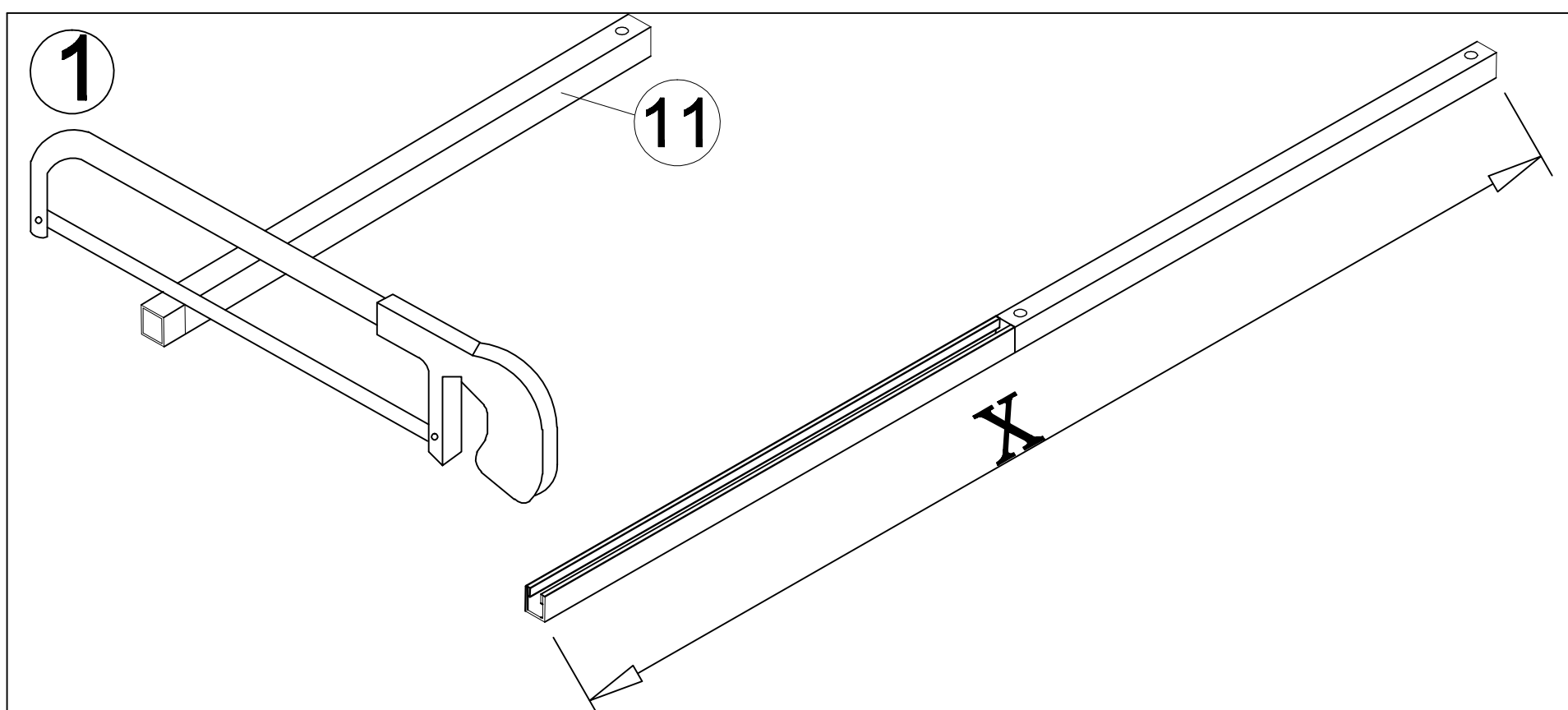
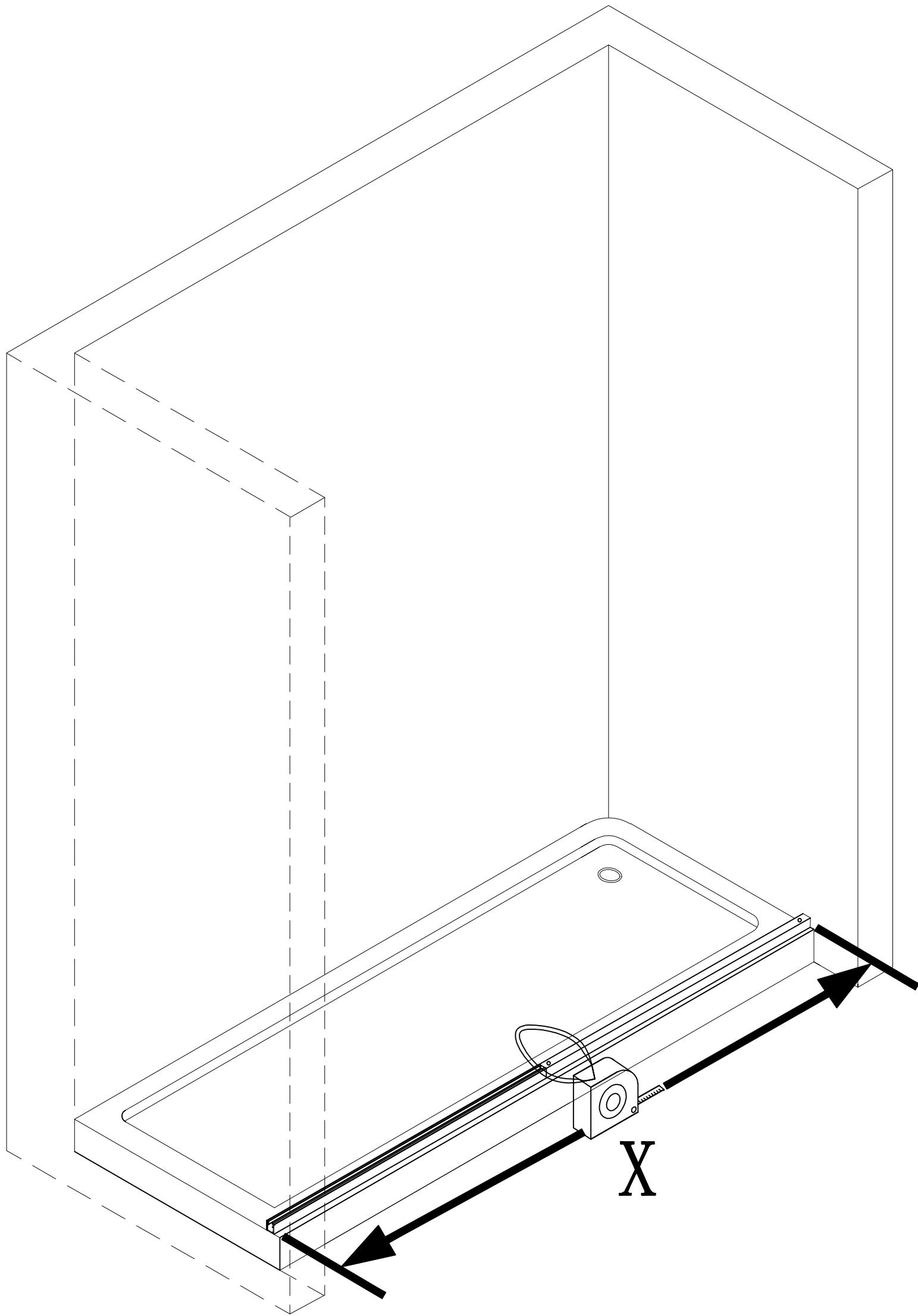
*For 60" Shower Door your opening should be between 58-60" between the lines



Left Hand Assembly

STEP 2

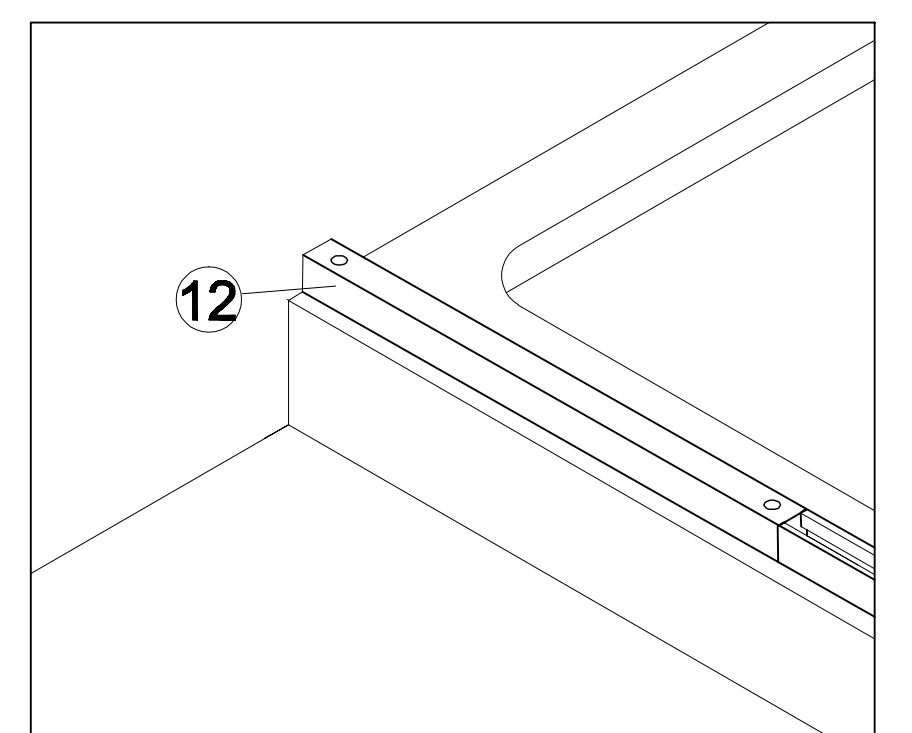
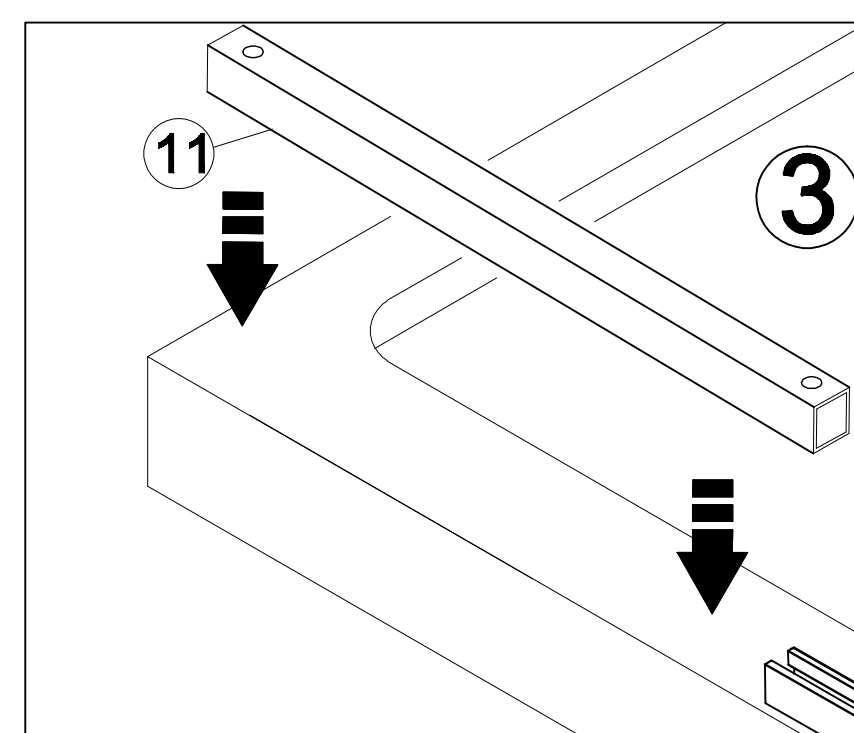
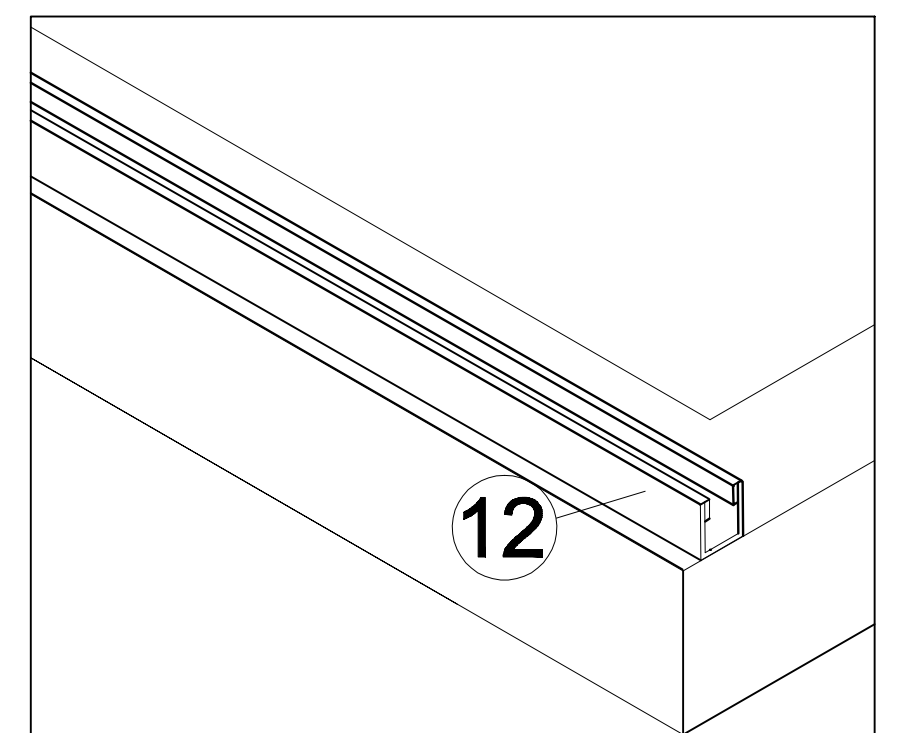
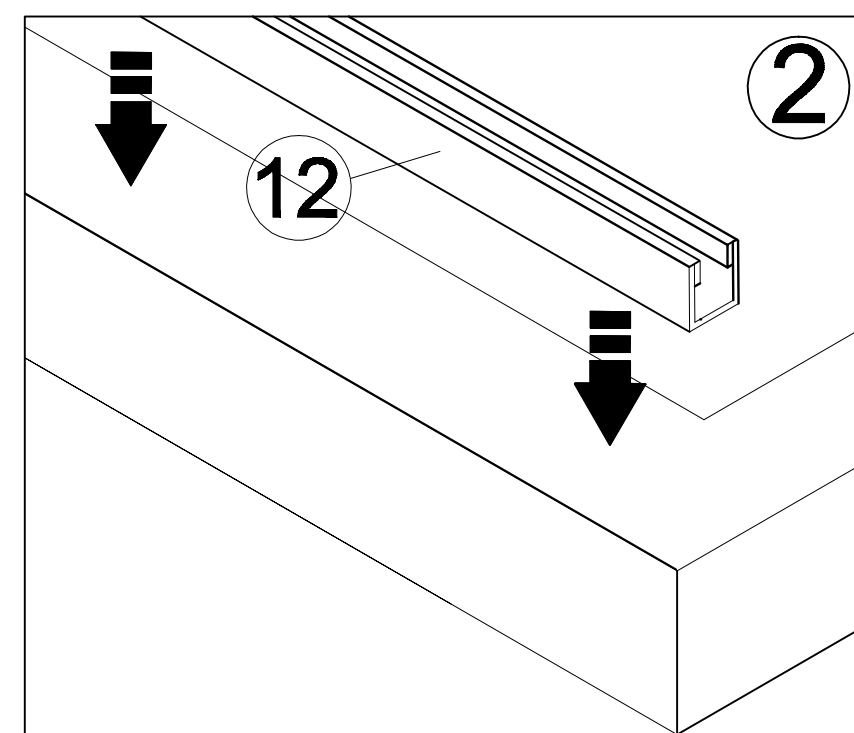
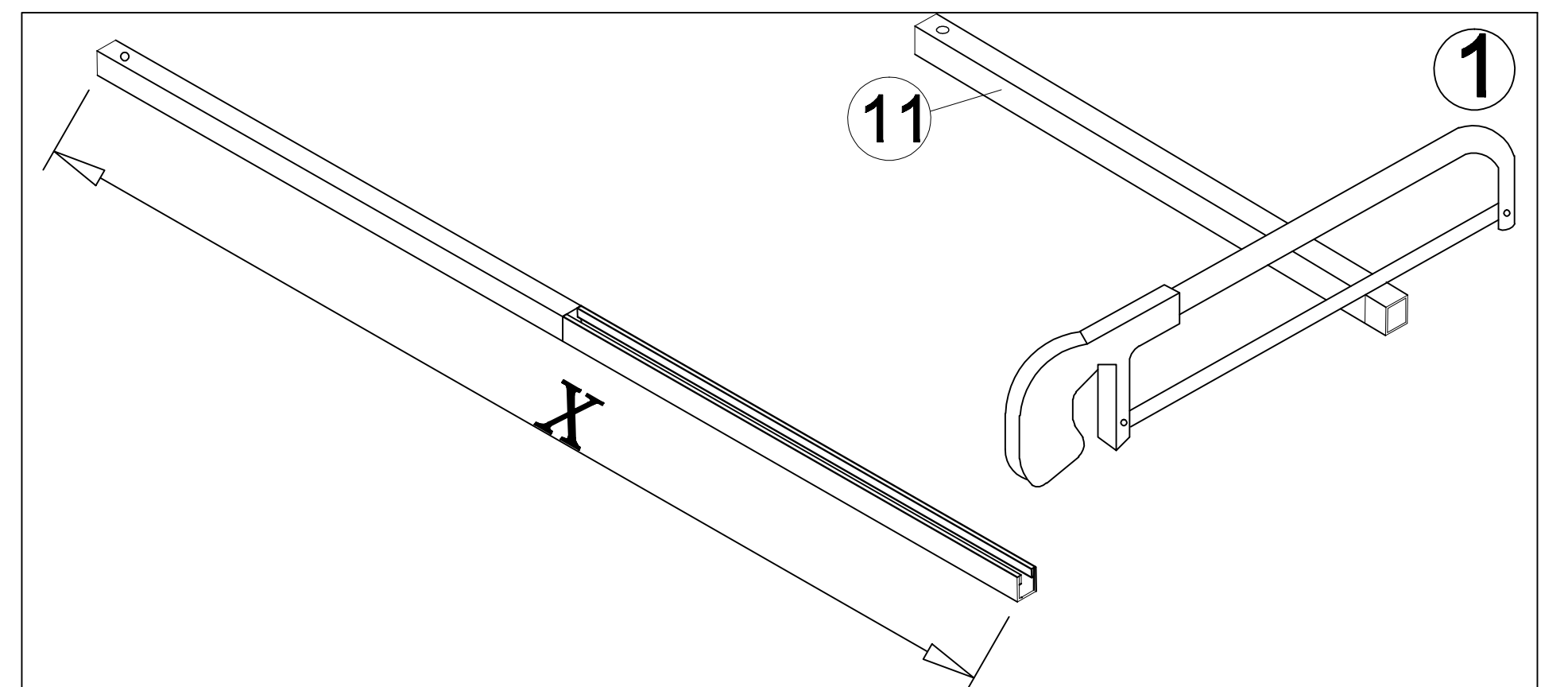
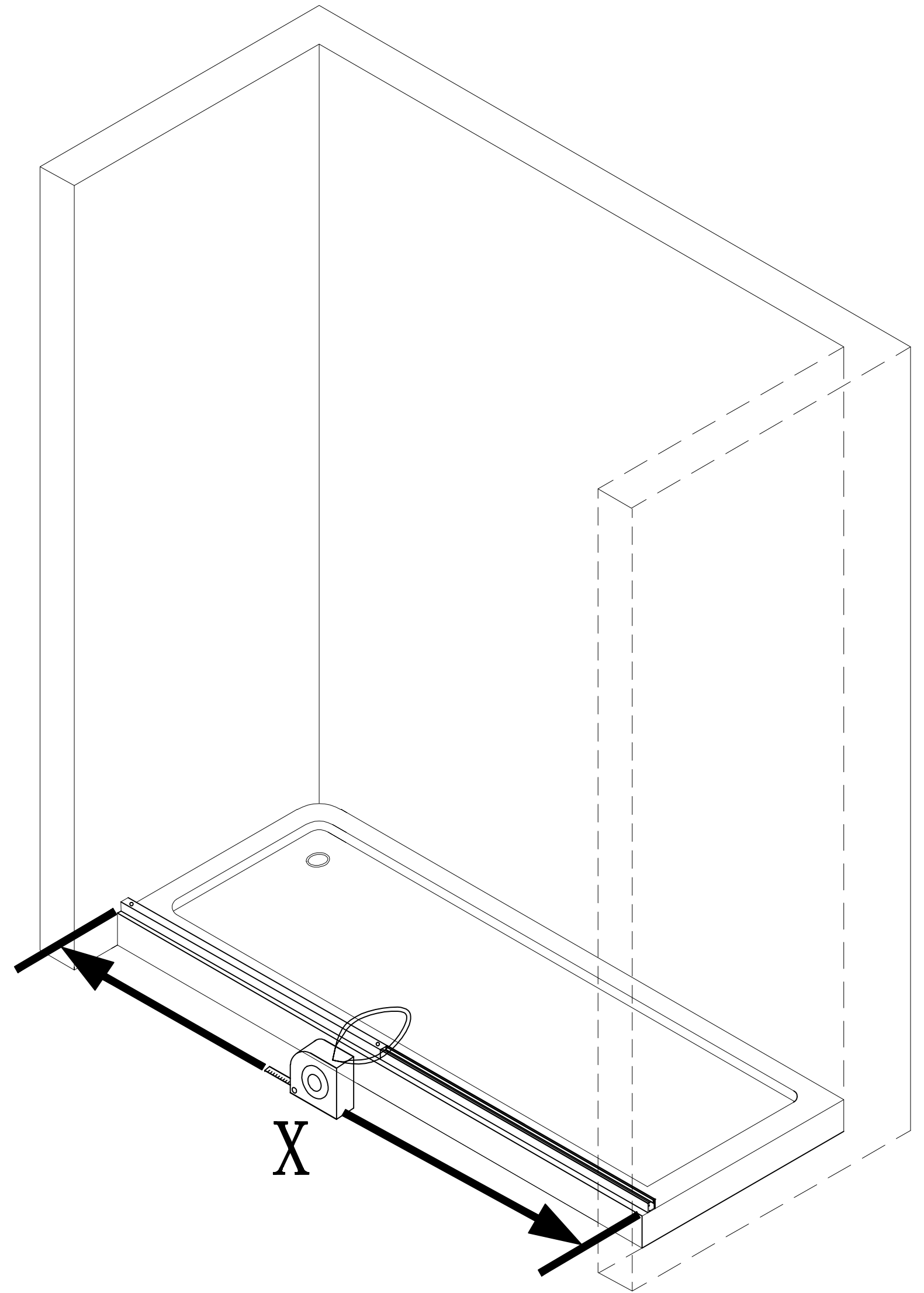
1. Measure the bottom length X between the walls, cut sliding glass bar(11) at the right length, make sure the total length of sliding glass bar(11) and fixed panel piece(12) is equal to X .
2. Have fixed panel piece(12) sit on the tile.
3. Have sliding glass bar(11) sit right beside fixed panel piece(12) on the shower base.



Right Hand Assembly

STEP 2

1. Measure the bottom length X between the walls, cut sliding glass bar(11) at the right length, make sure the total length of sliding glass bar(11) and fixed panel piece(12) is equal to X .
2. Have fixed panel piece(12) sit on the tile.
3. Have sliding glass bar(11) sit right beside fixed panel piece(12) on the shower base.

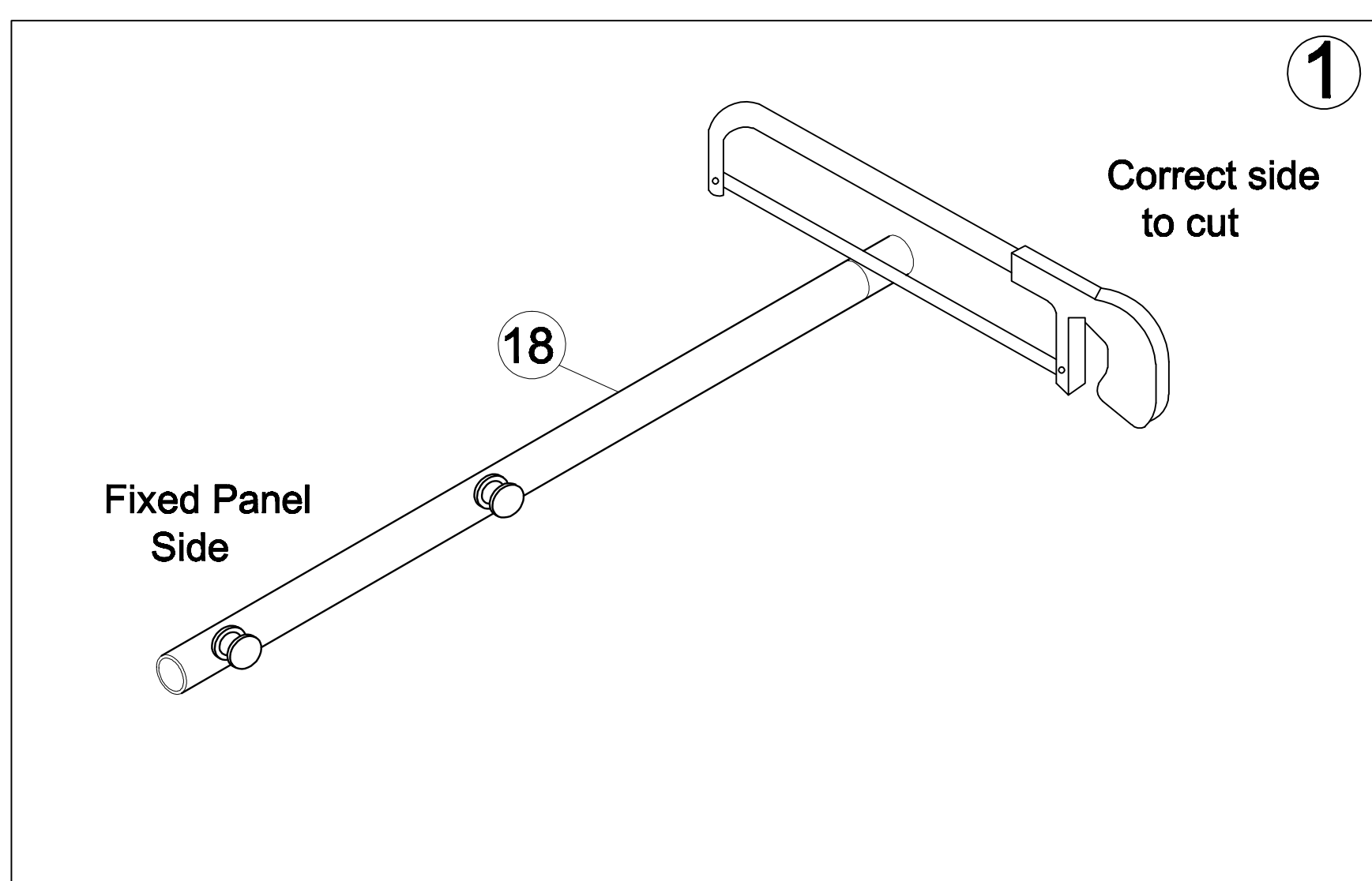
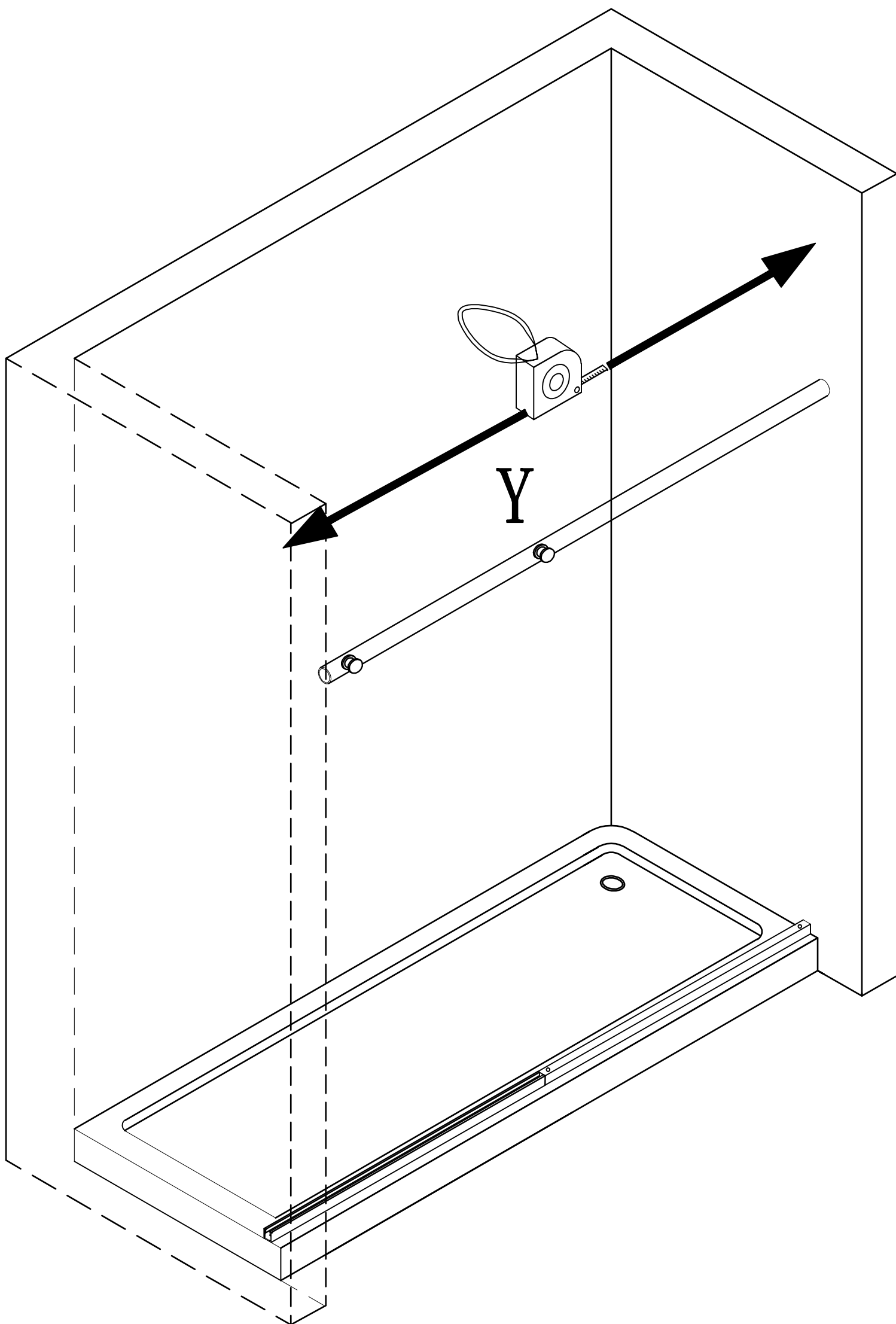


Left Hand Assembly

STEP 3

1. Measure the distance between walls where the Top Rail (18) will be installed. The Top Rail (18) are match 48" or 60" shower door. If the shower area less 48" or 60", please cut the Top Rail (18). (Cut the side of without hole)

For example: If the shower door of you buy is 48", but you shower area just 46", so you need cut 2".

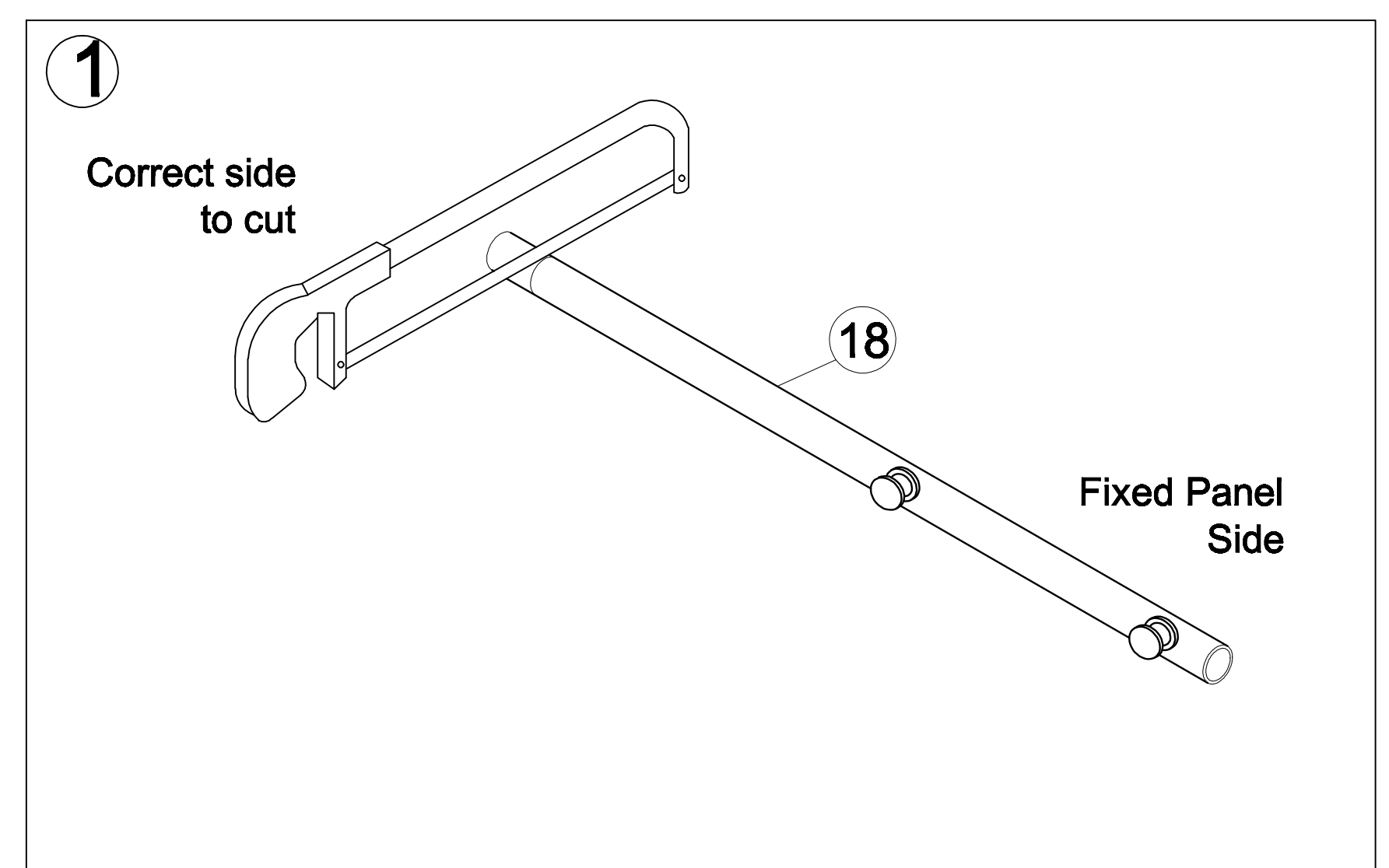
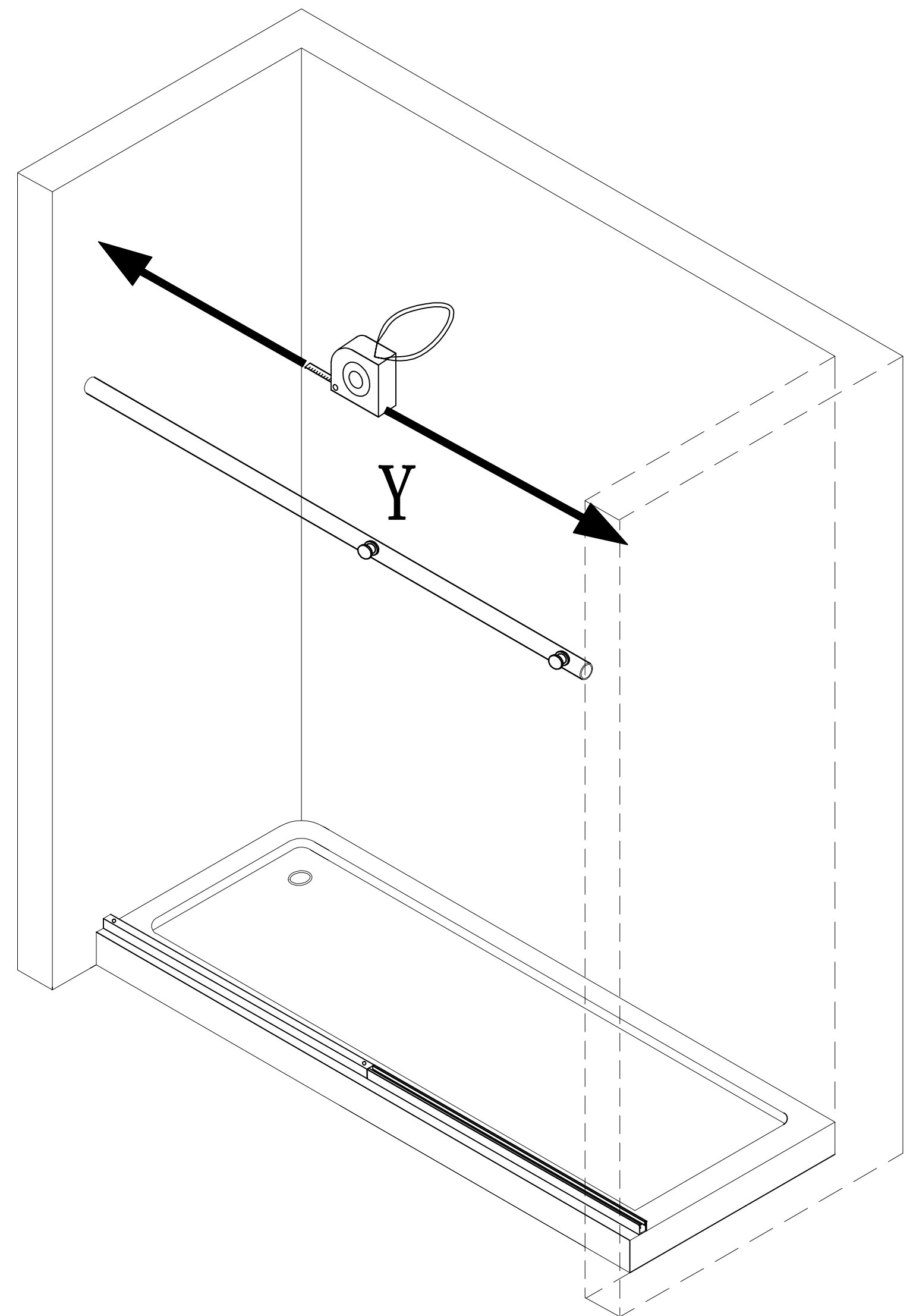


Right Hand Assembly

STEP 3

1. Measure the distance between walls where the Top Rail (18) will be installed. The Top Rail (18) are match 48" or 60" shower door. If the shower area less 48" or 60", please cut the Top Rail (18). (Cut the side of without hole)

For example: If the shower door of you buy is 48", but you shower area just 46", so you need cut 2".



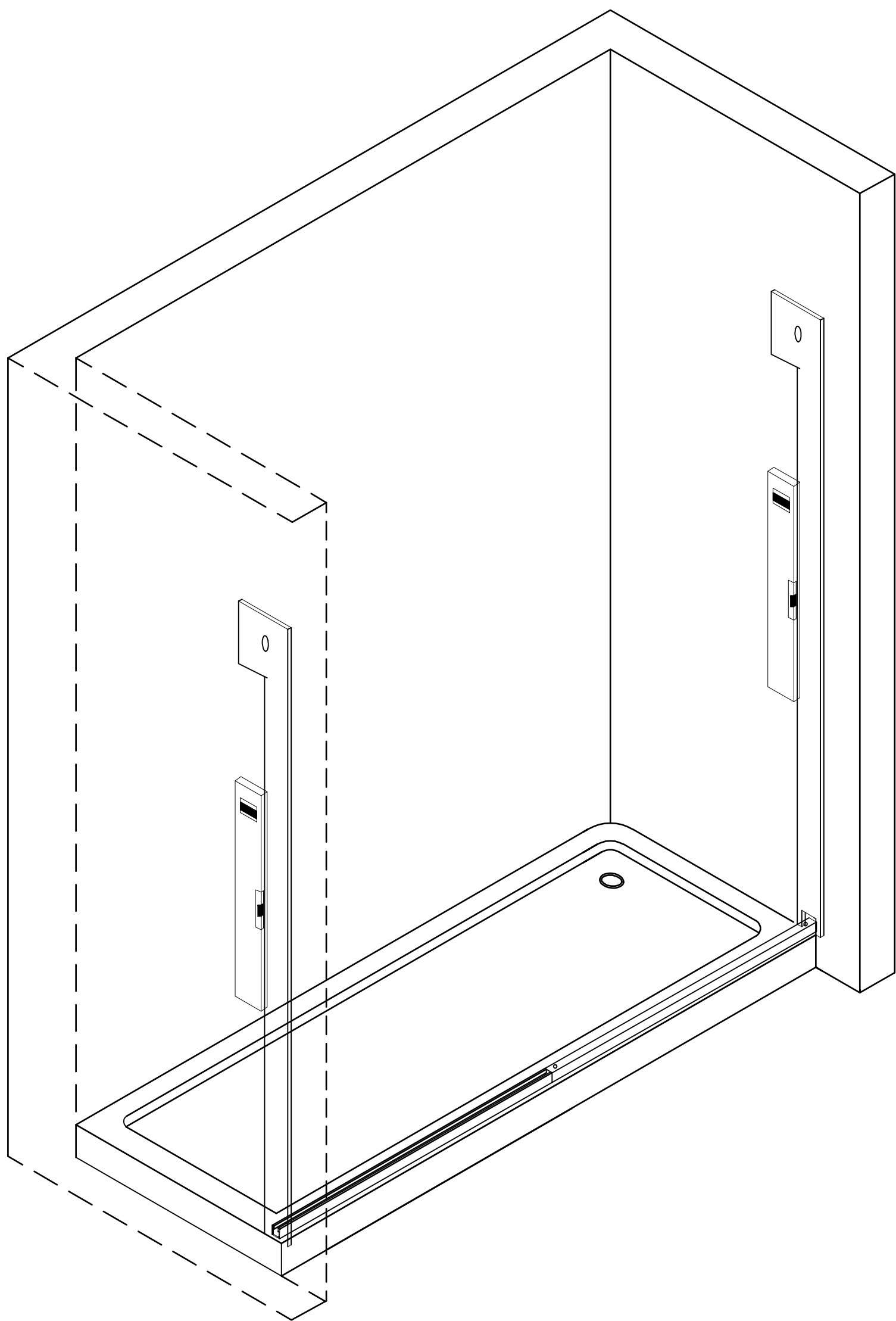
Left Hand Assembly

STEP 4

1.The fixed panel piece (12) is tightly attached to the sliding glass bar(11) and placed on the shower base.Position the template(13) against the wall, the bottom of the template should be over the fixed panel piece (12) and sliding glass bar(11).

2.Use the level to make sure the template vertically straight. Mark the hole position with a pencil. Repeat the process on the opposite side.After marking, remove the movable glass water barrier.

3.Please refer to pictures at the end of instructions for clarity.



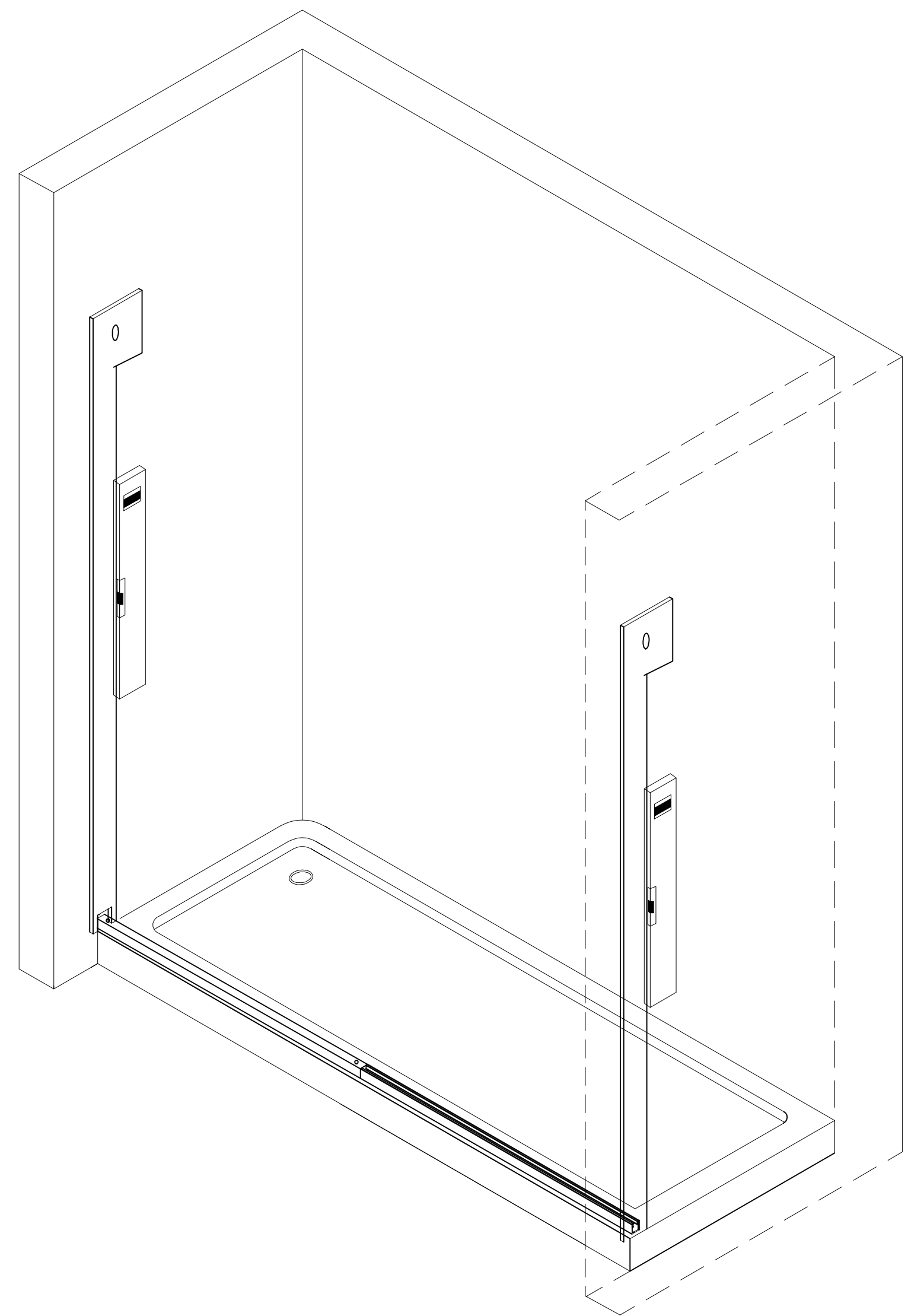
Right Hand Assembly

STEP 4

1.The fixed panel piece (12) is tightly attached to the sliding glass bar(11) and placed on the shower base.Position the template(13) against the wall, the bottom of the template should be over the fixed panel piece (12) and sliding glass bar(11).

2.Use the level to make sure the template vertically straight. Mark the hole position with a pencil. Repeat the process on the opposite side.After marking, remove the movable glass water barrier.

3.Please refer to pictures at the end of instructions for clarity.



Insert template to bottom door guide.



Level the template.



Use pencil to mark the hole.



Insert template to bottom door guide.



Level the template.

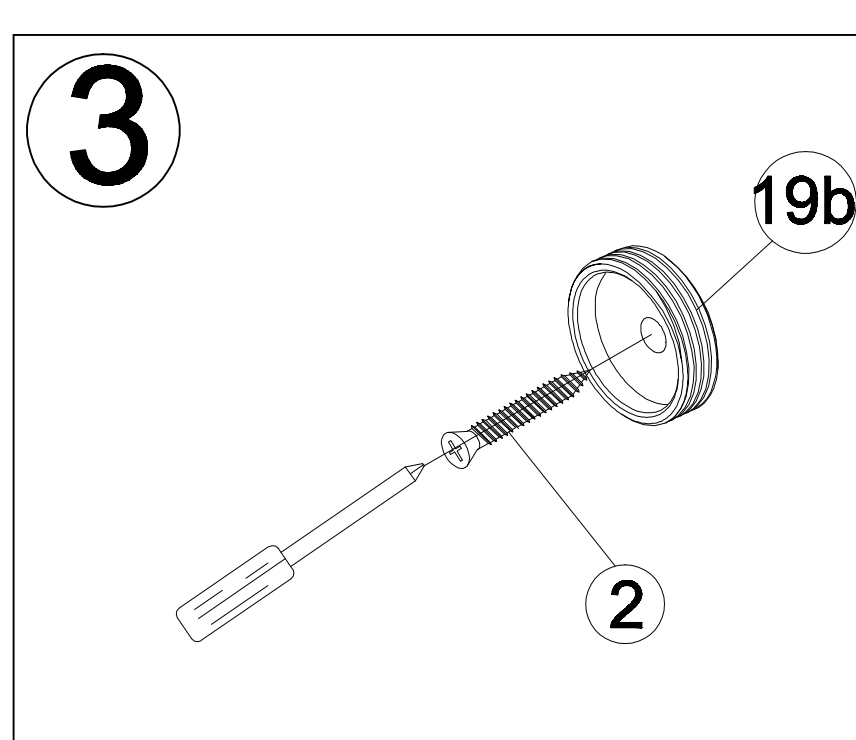
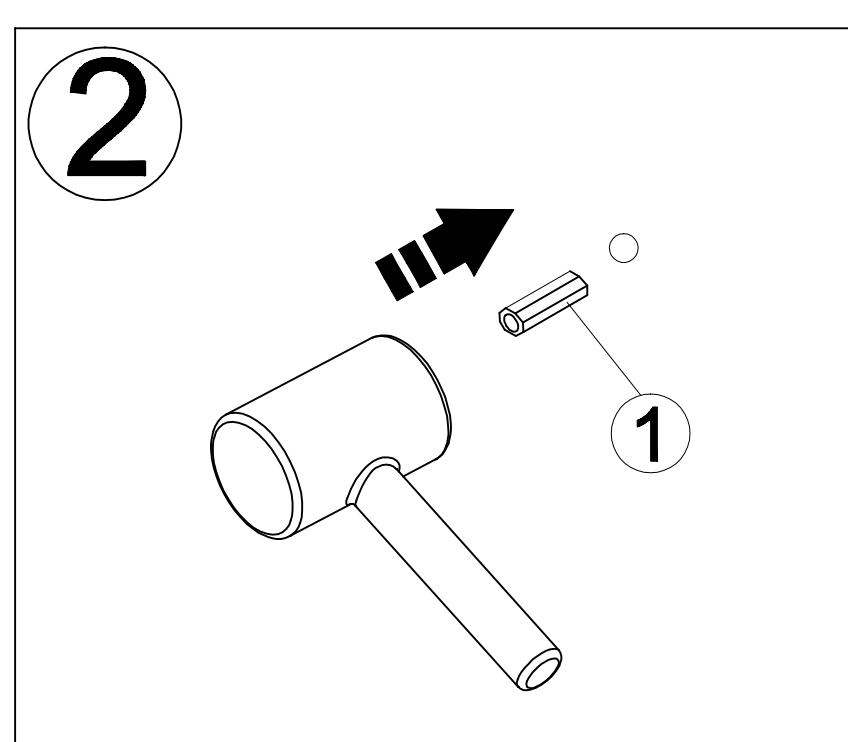
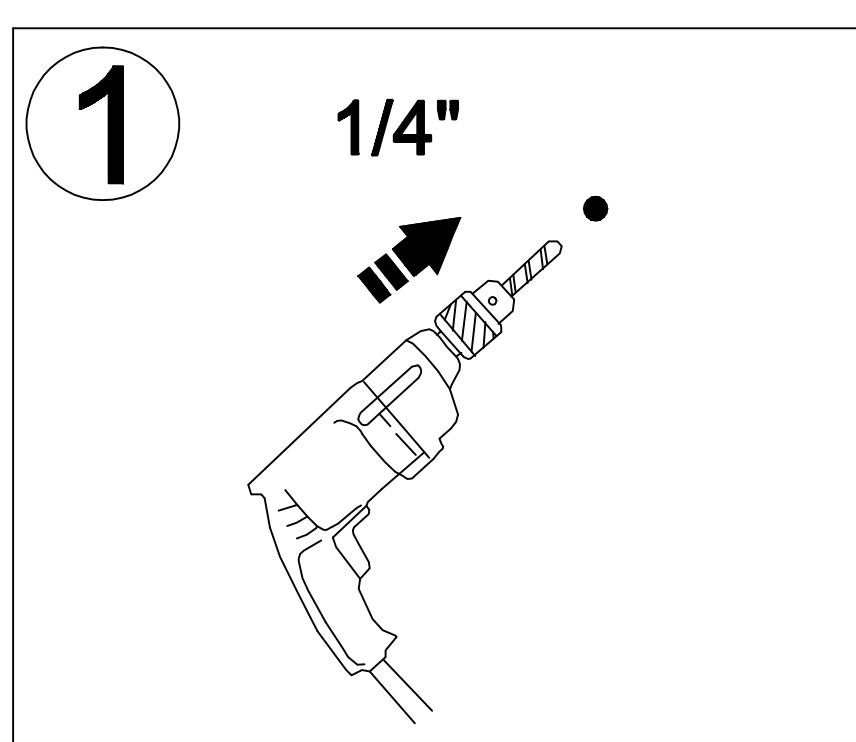
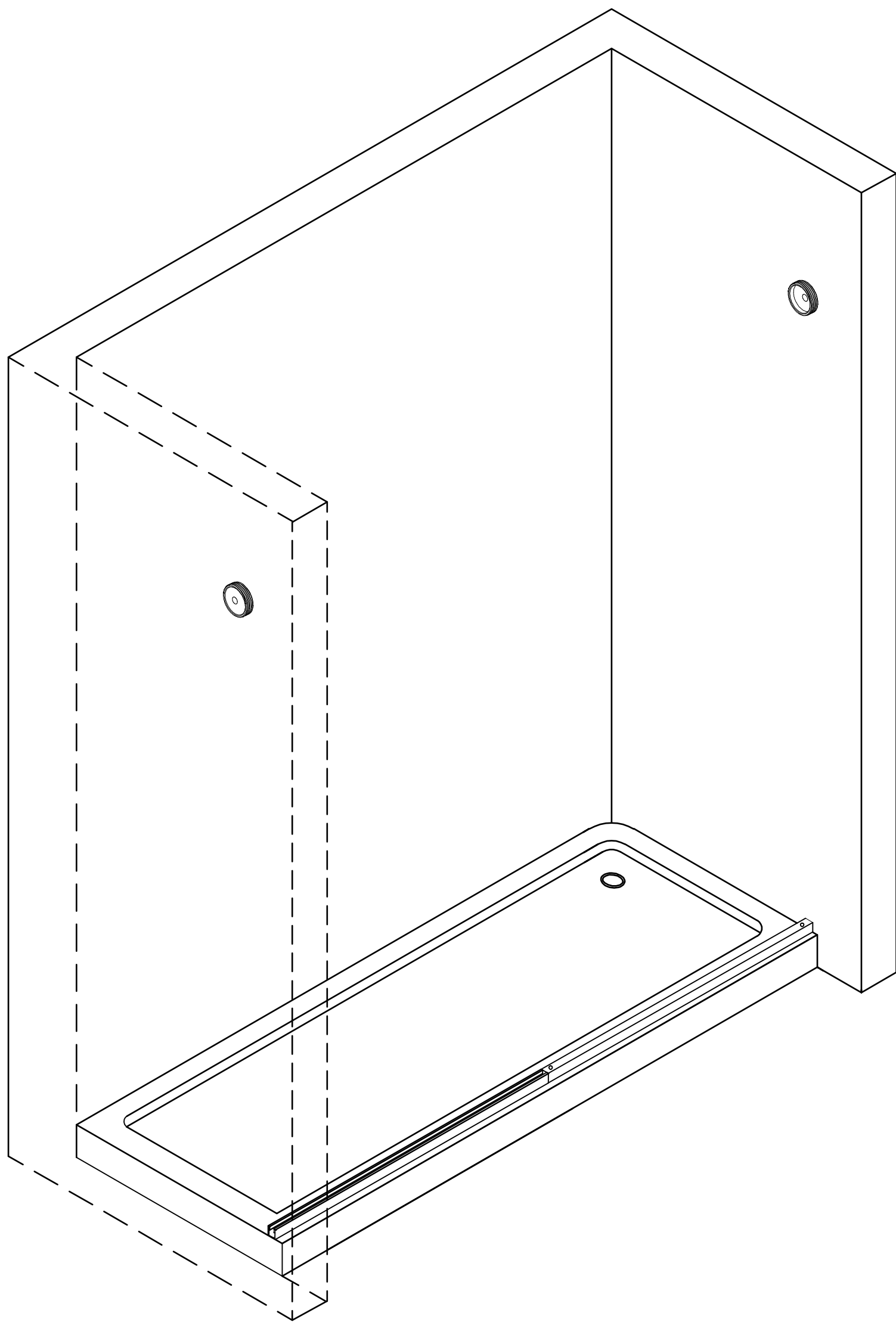


Use pencil to mark the hole.

Left Hand Assembly

STEP 5

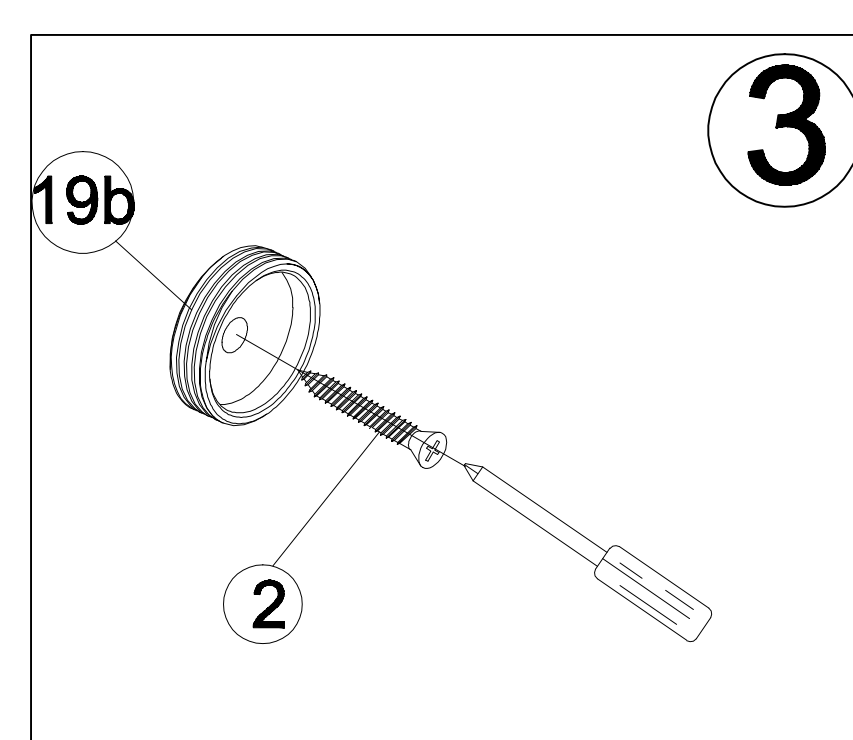
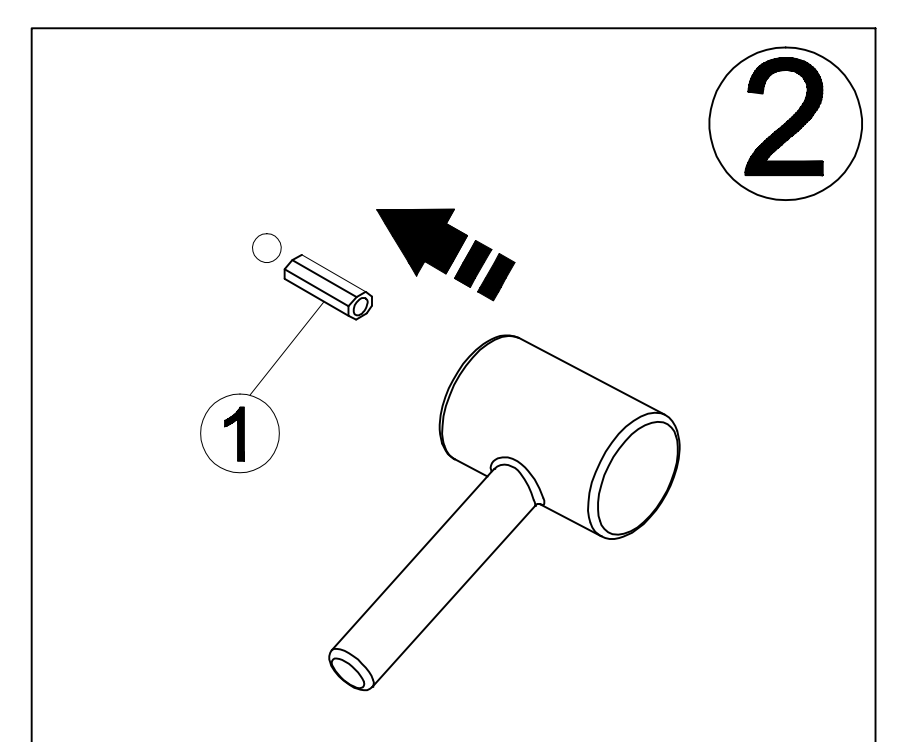
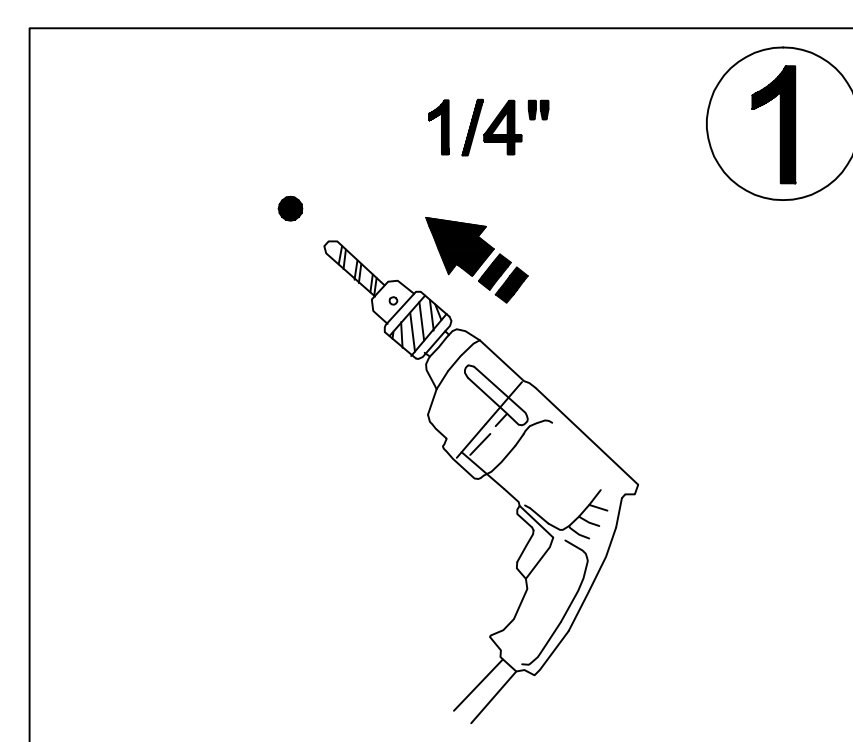
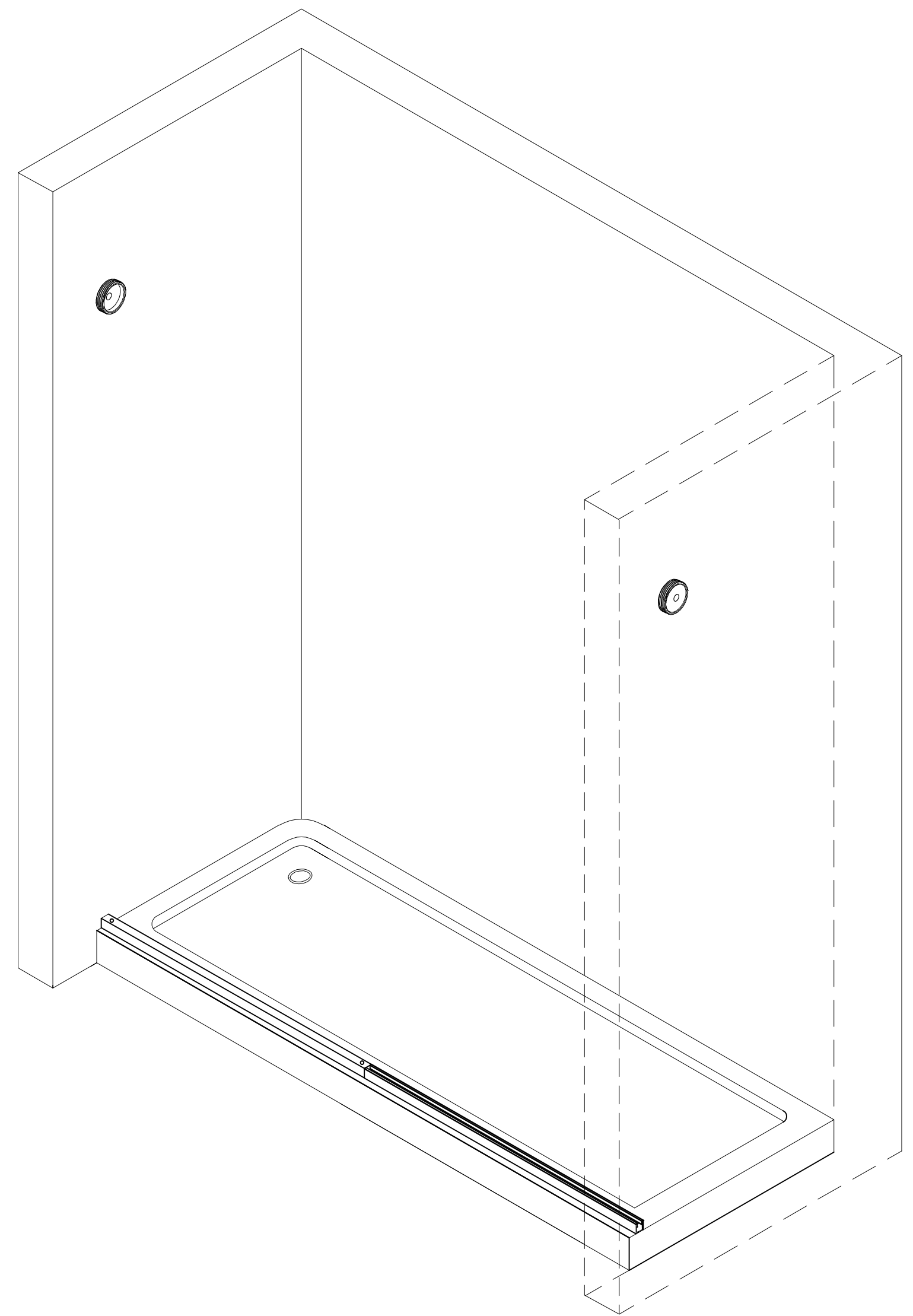
1. Drill a hole on the mark with 1/4" drill bit.
2. Hammer the anchor into the hole.
3. Use one of the 4*30 self tapping screws(2) to secure Rail Wall Connector(19b) onto the wall. Insert self-tapping screw through the larger hole that faces outward.



Right Hand Assembly

STEP 5

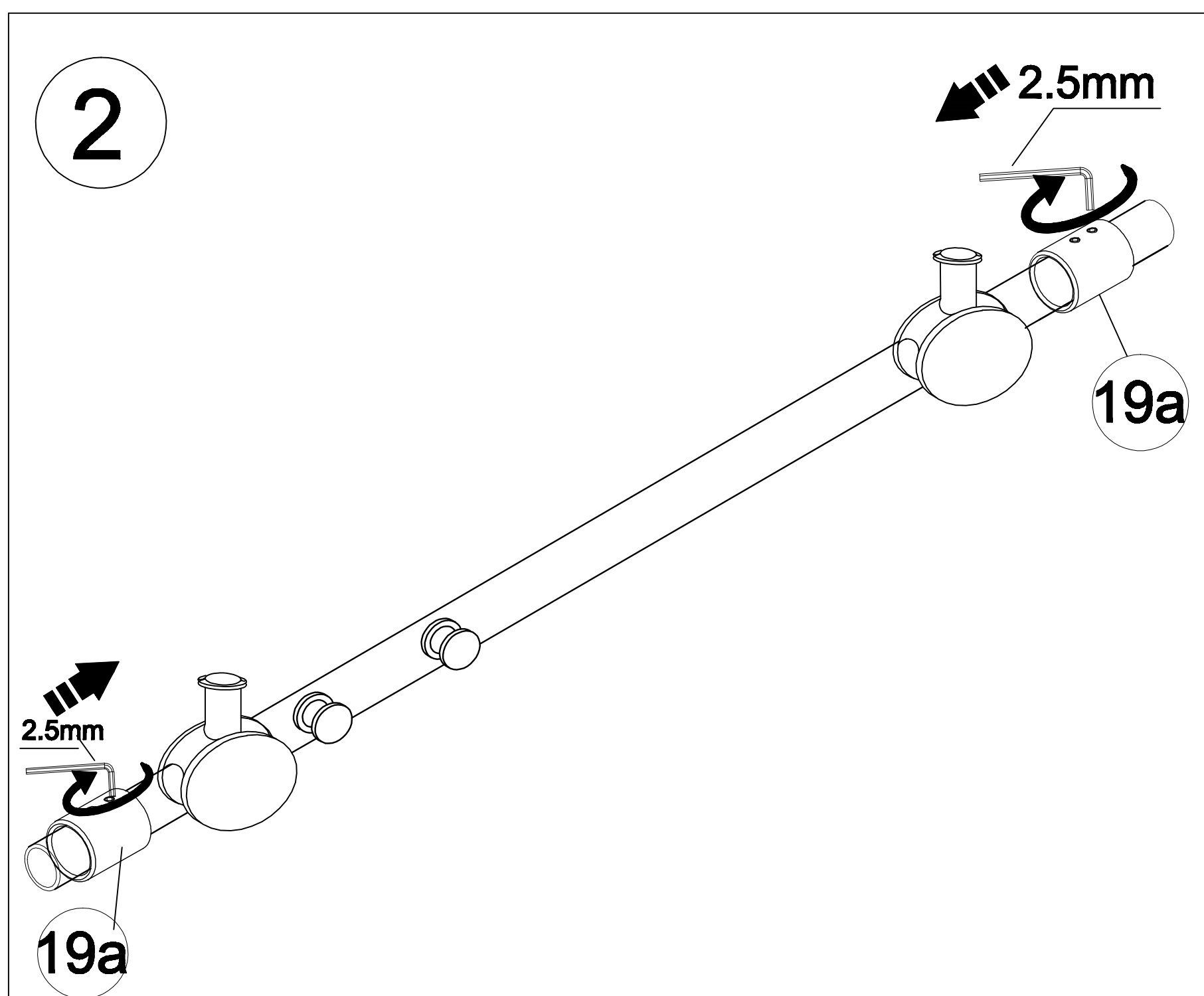
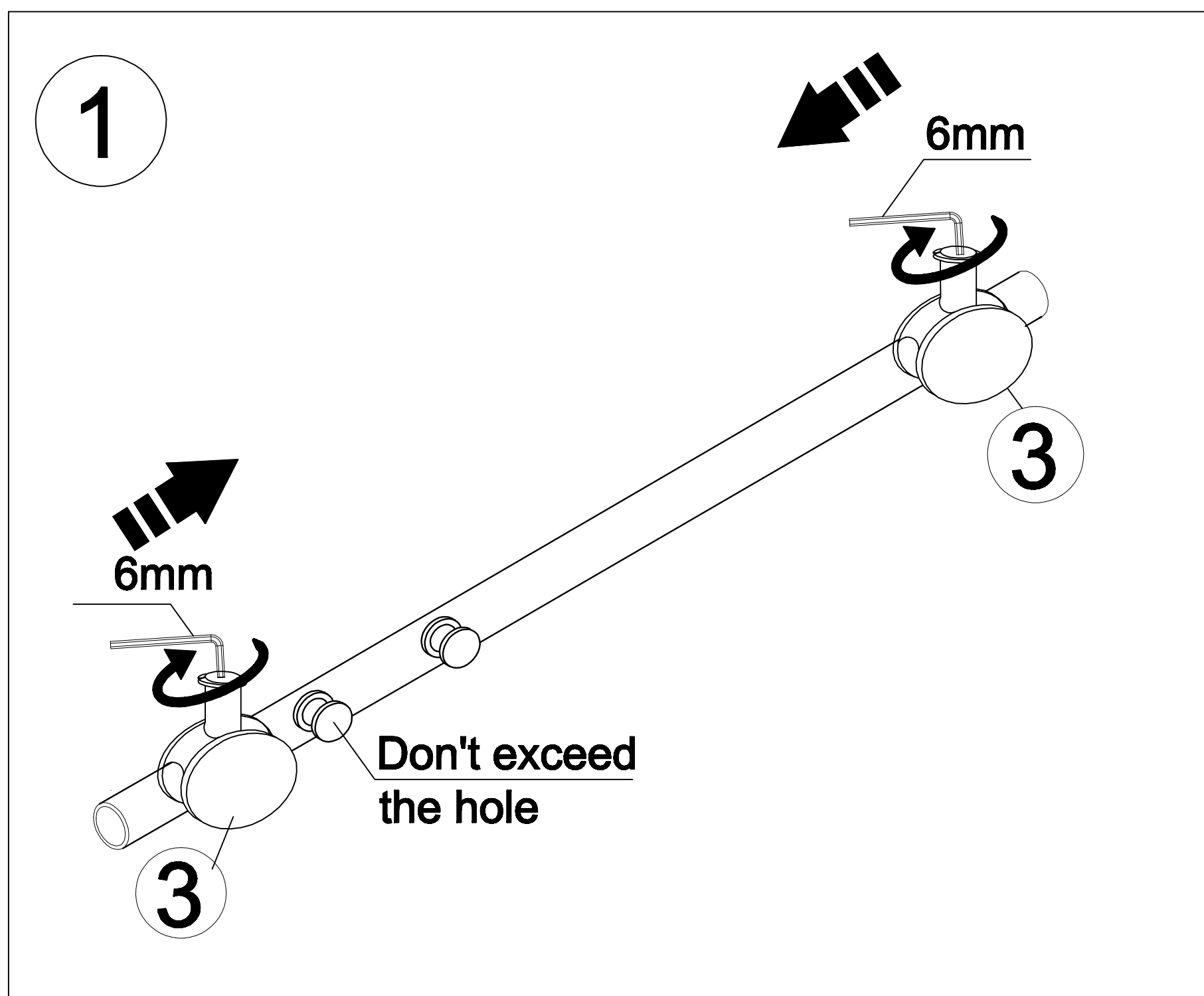
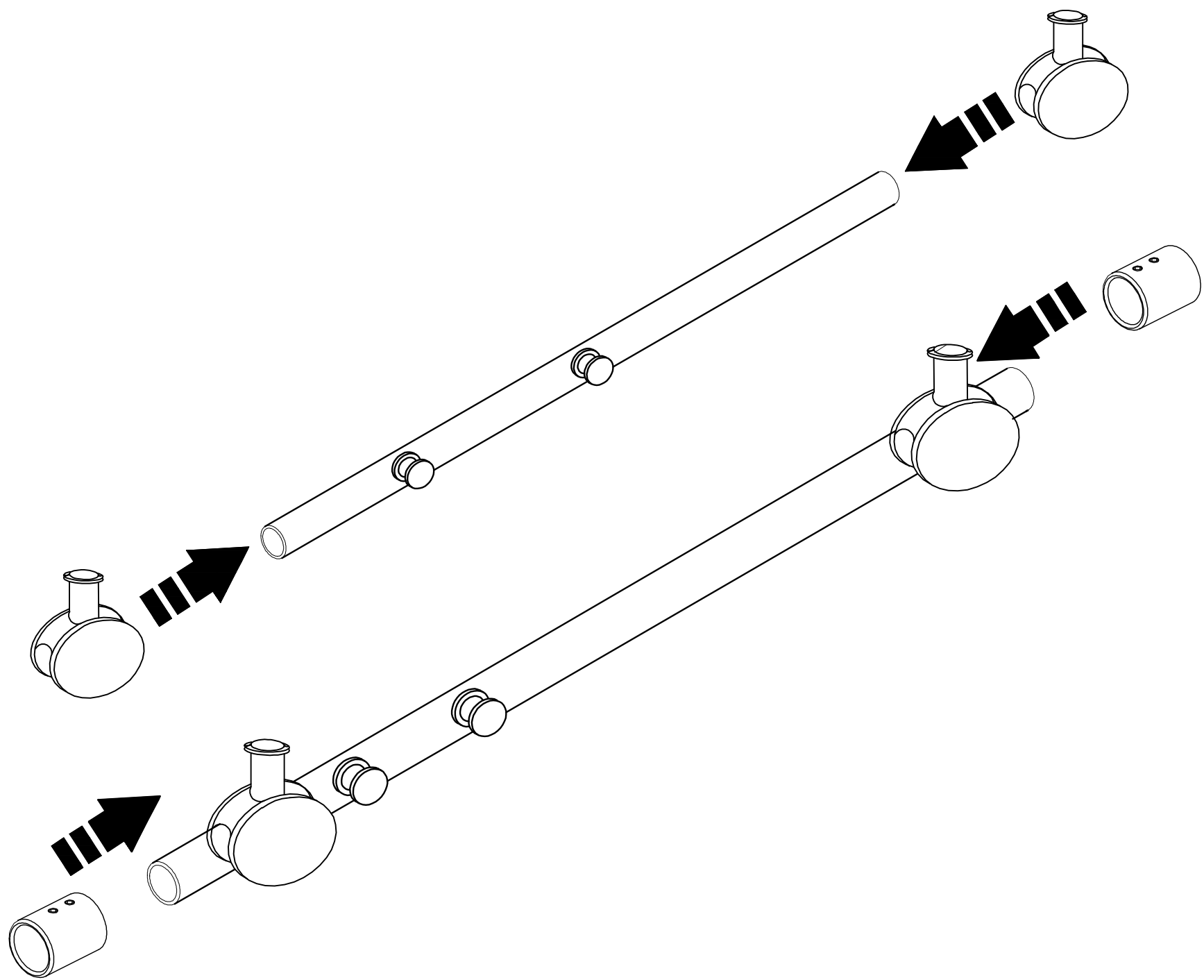
1. Drill a hole on the mark with 1/4" drill bit.
2. Hammer the anchor into the hole.
3. Use one of the 4*30 self tapping screws(2) to secure Rail Wall Connector(19b) onto the wall. Insert self-tapping screw through the larger hole that faces outward.



Left Hand Assembly

STEP 6

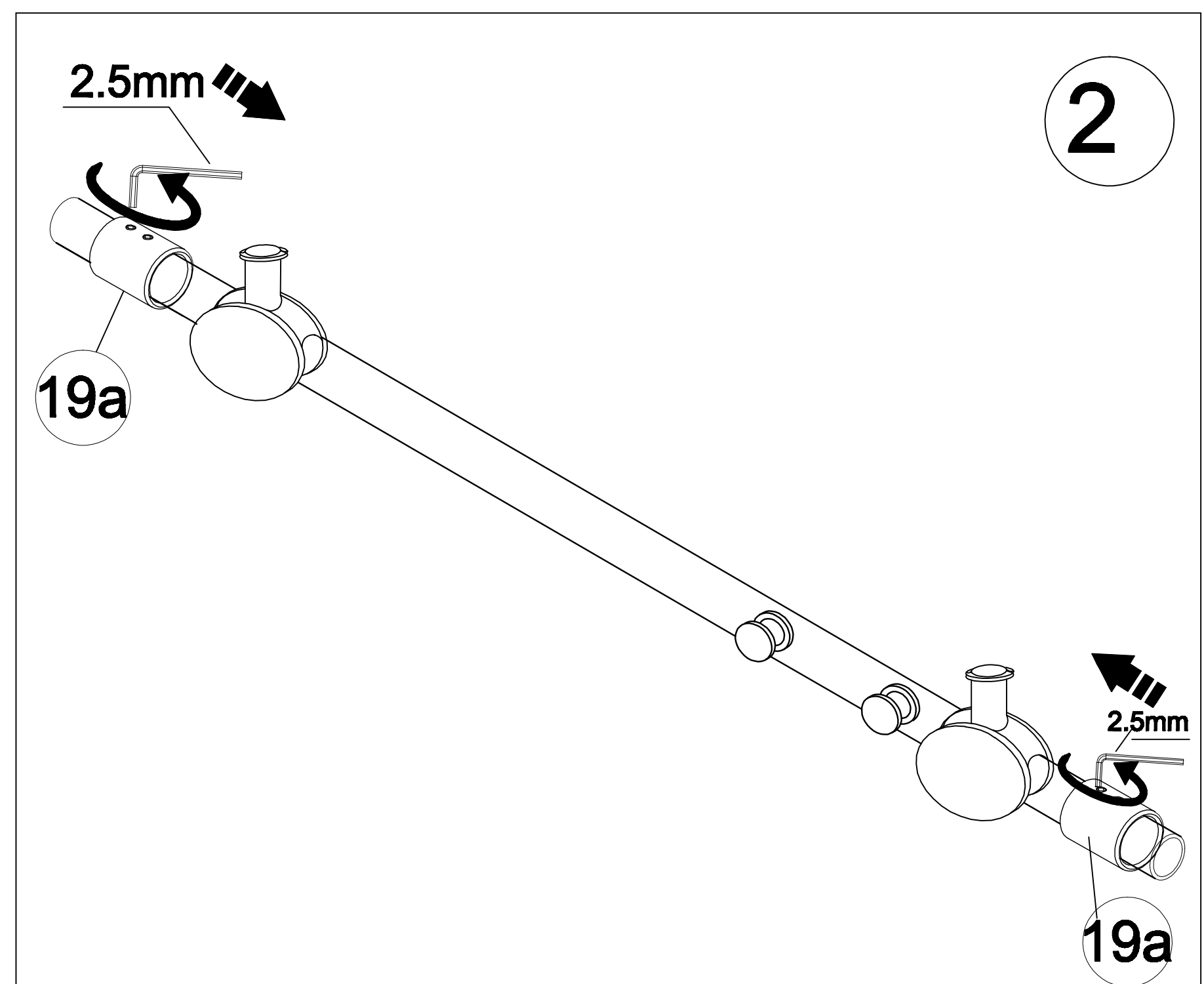
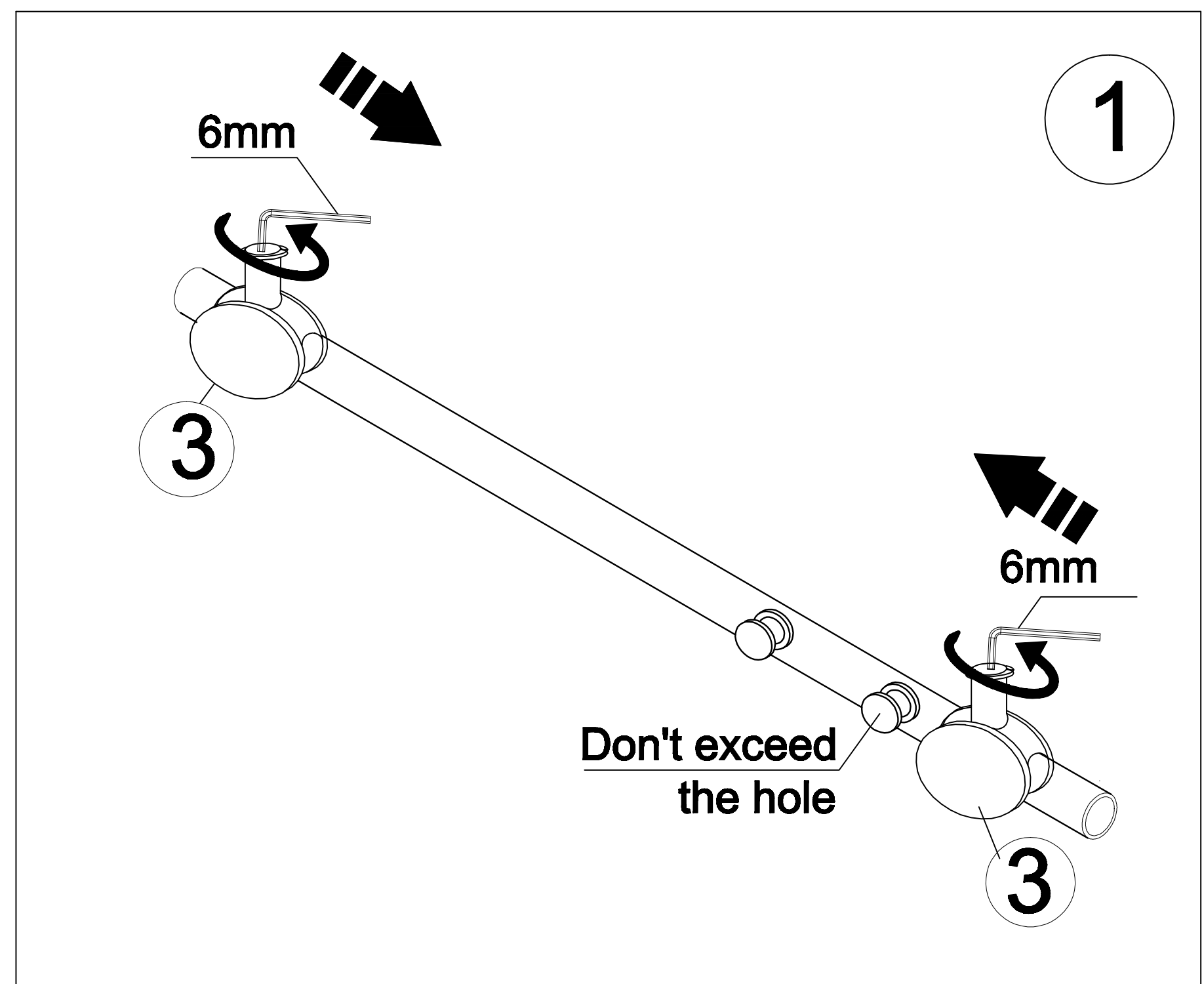
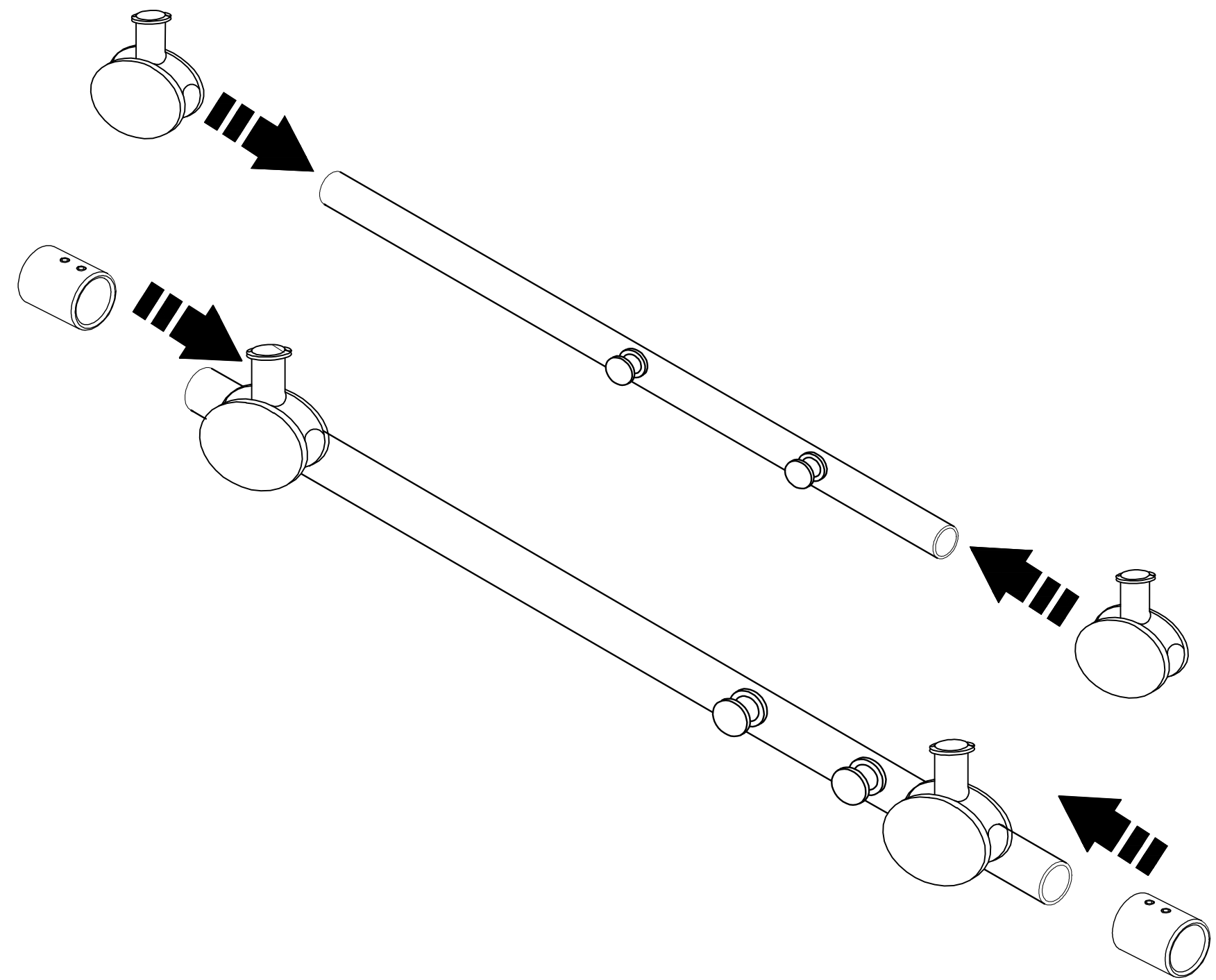
1. Loose door stopper (3) screws with 6mm Allen wrench(14), insert each to either end of the top rail(18), screw in screws.
2. Loose rail wall connector(19a) screws with 2.5mm Allen wrench(14) and insert each to either end of the top rail(18), position it on the rail at any position and screw.



Right Hand Assembly

STEP 6

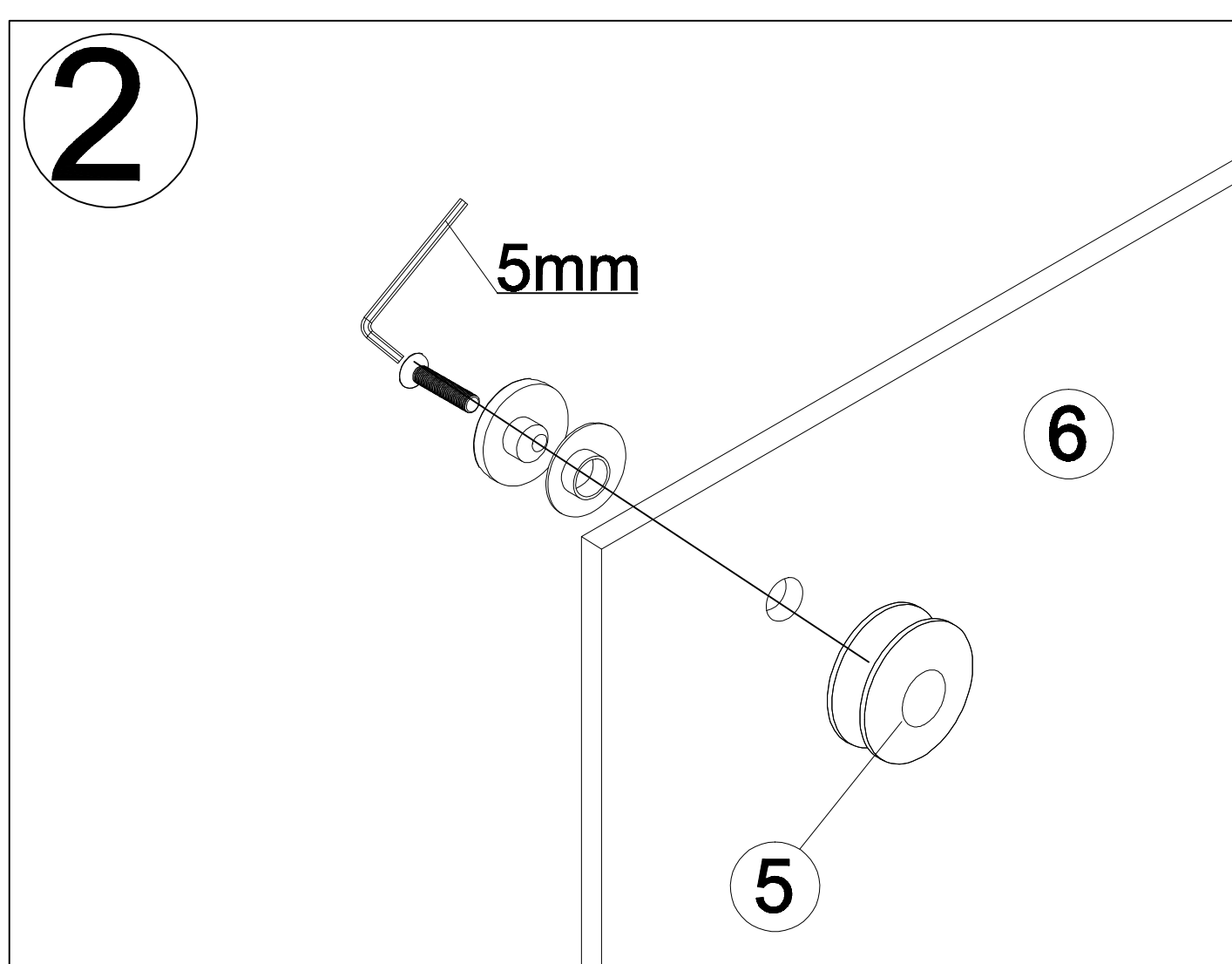
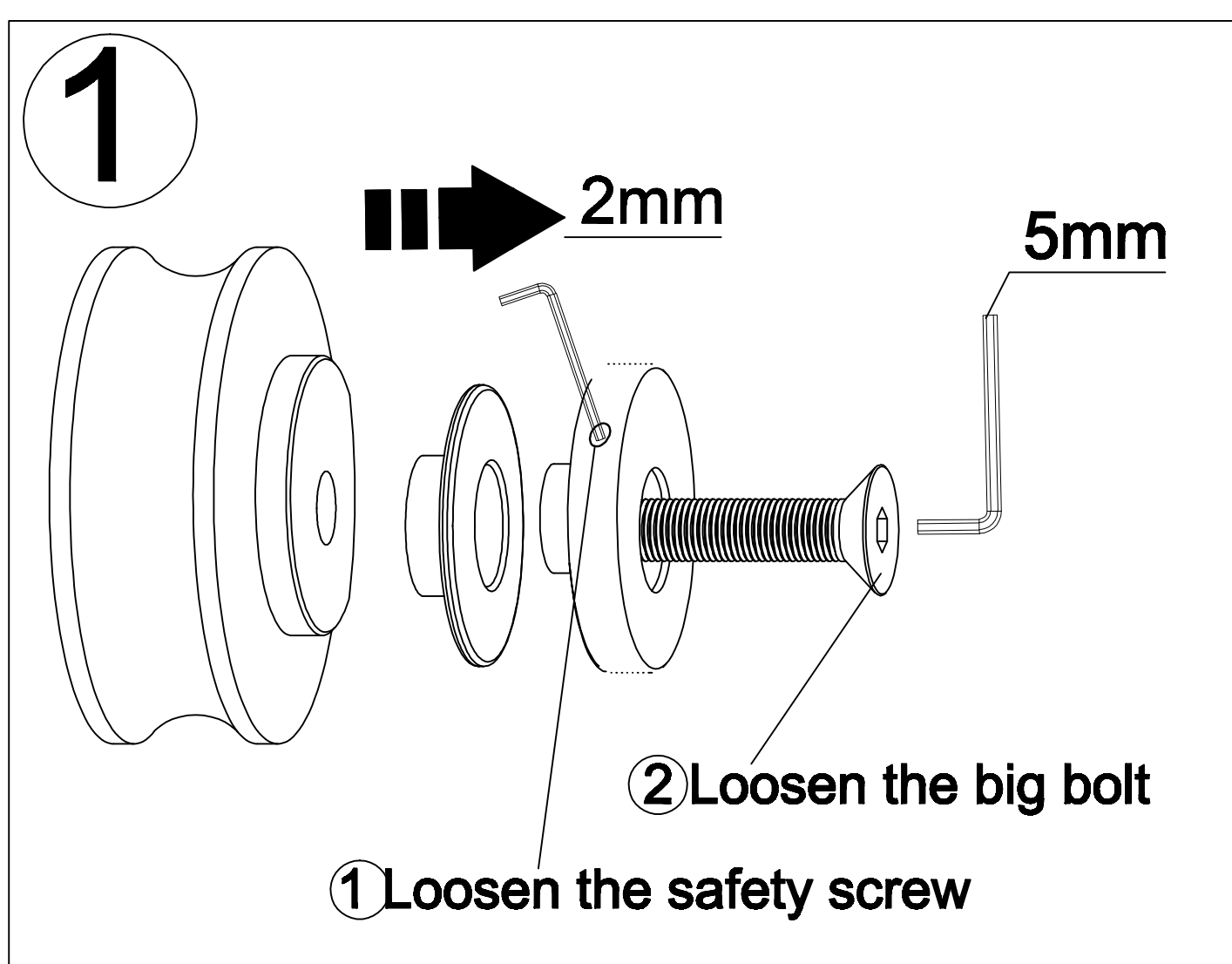
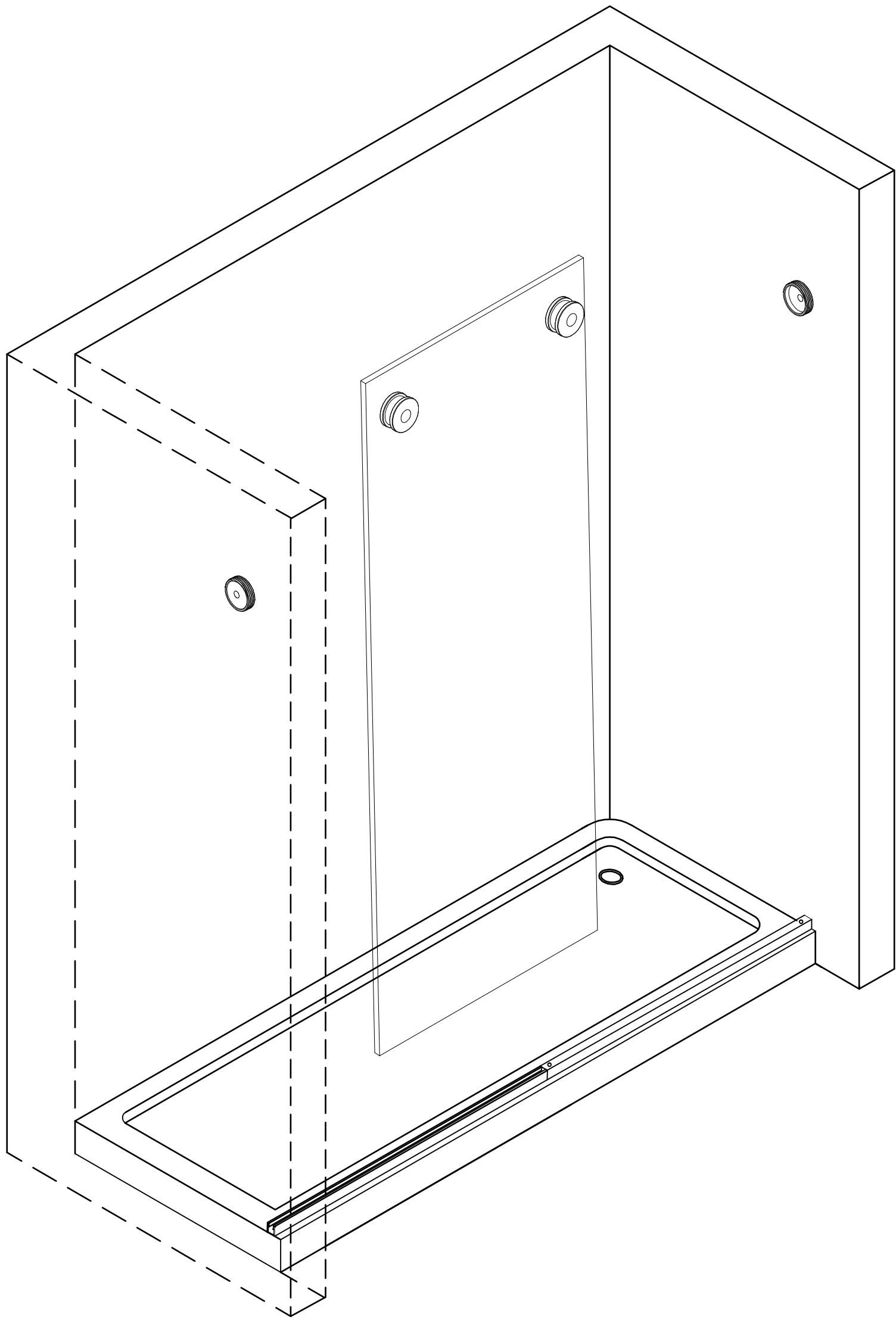
1. Loose door stopper (3) screws with 6mm Allen wrench(14), insert each to either end of the top rail(18), screw in screws.
2. Loose rail wall connector(19a) screws with 2.5mm Allen wrench(14) and insert each to either end of the top rail(18), position it on the rail at any position and screw.



Left Hand Assembly

STEP 7

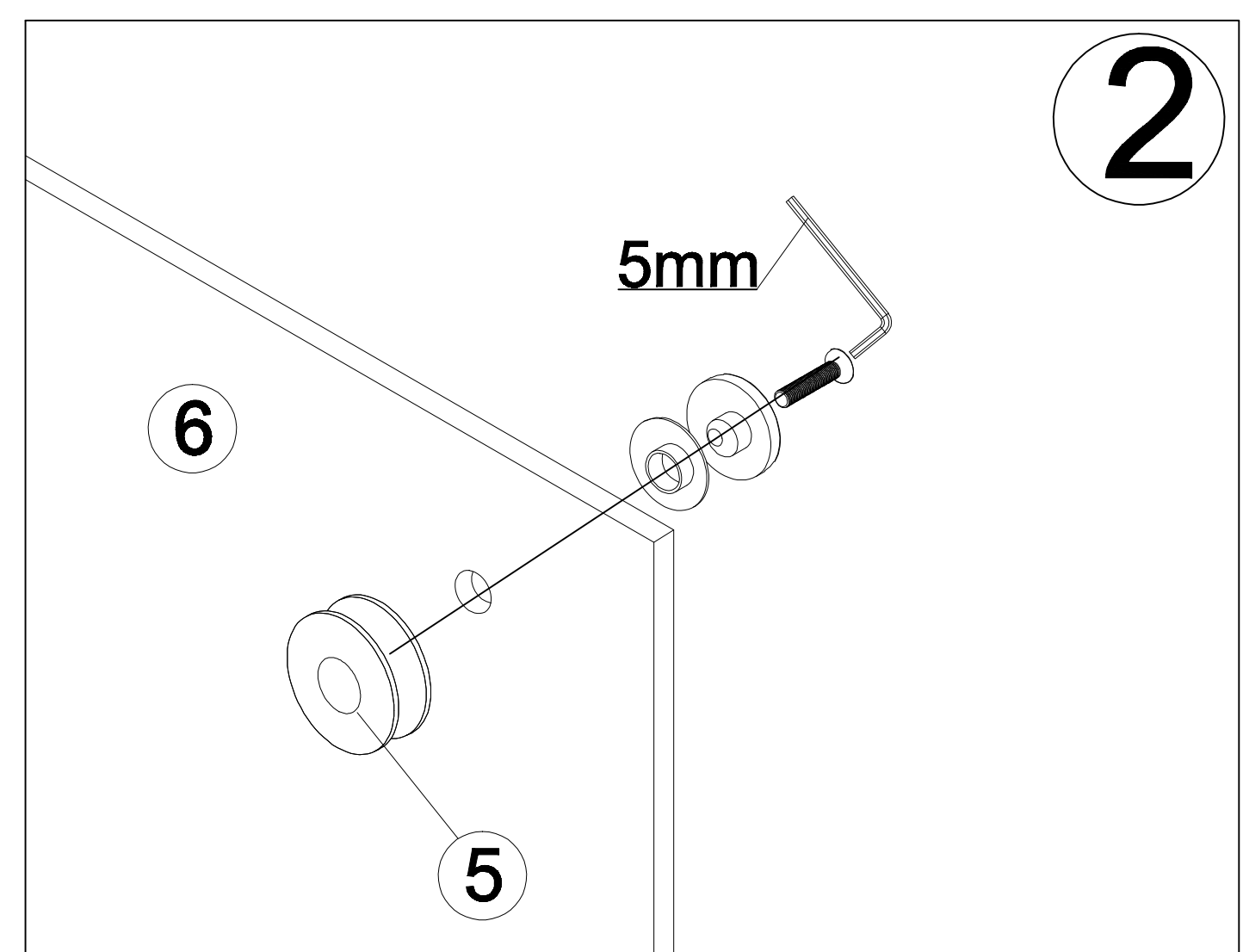
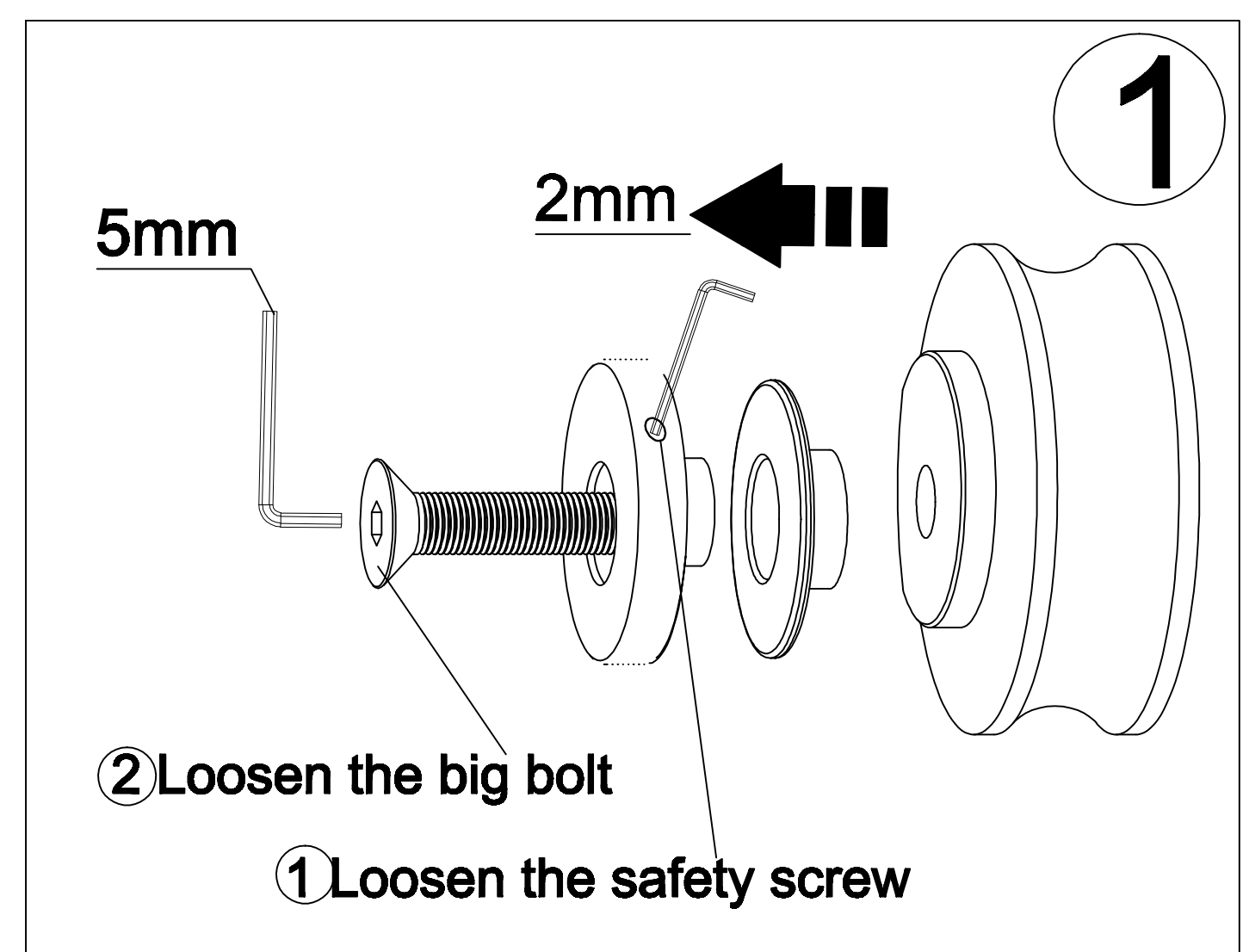
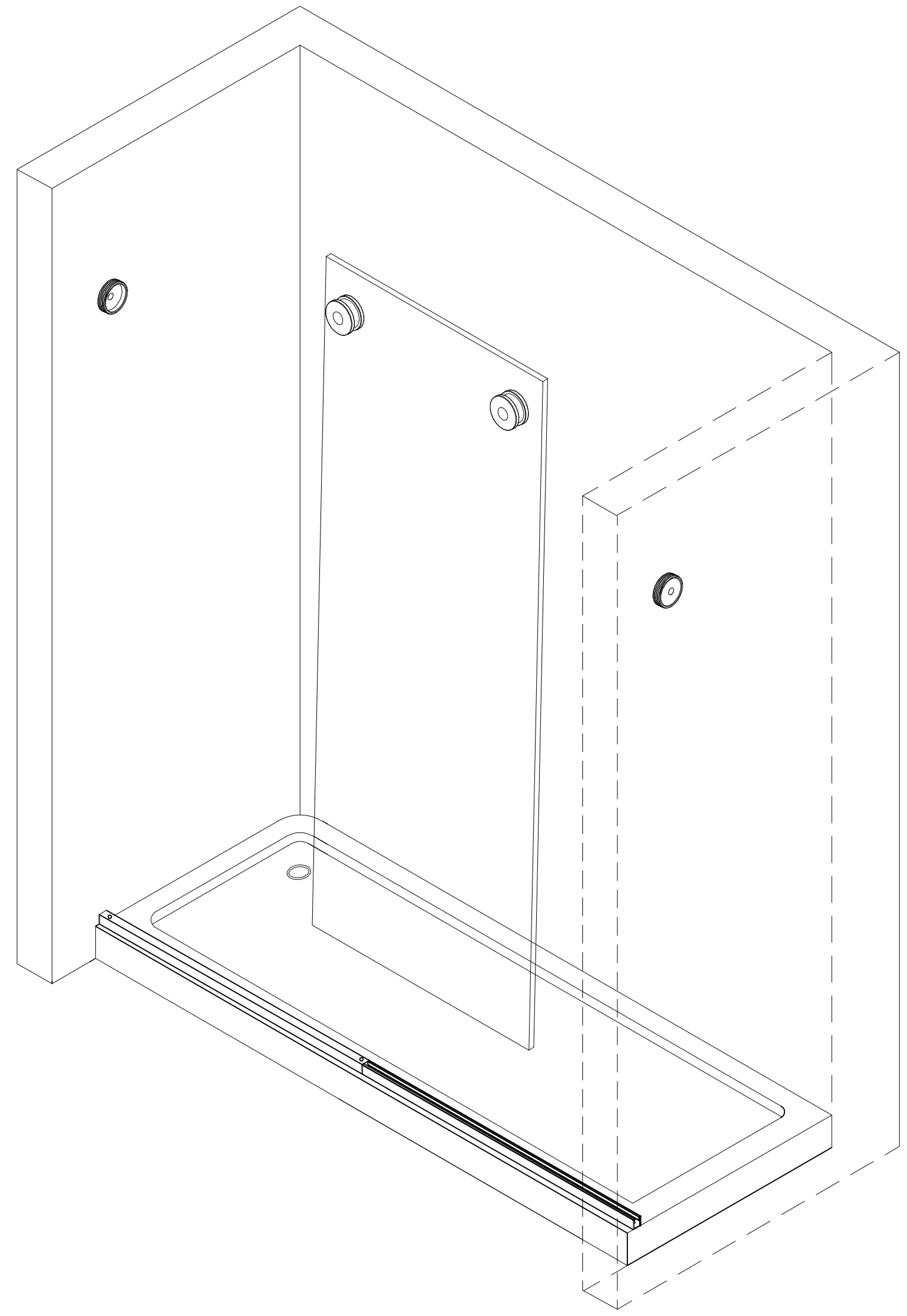
1. Install the roller .
2. Secure the two rollers (5) onto the movable door (6) and move it inside of shower area.



Right Hand Assembly

STEP 7

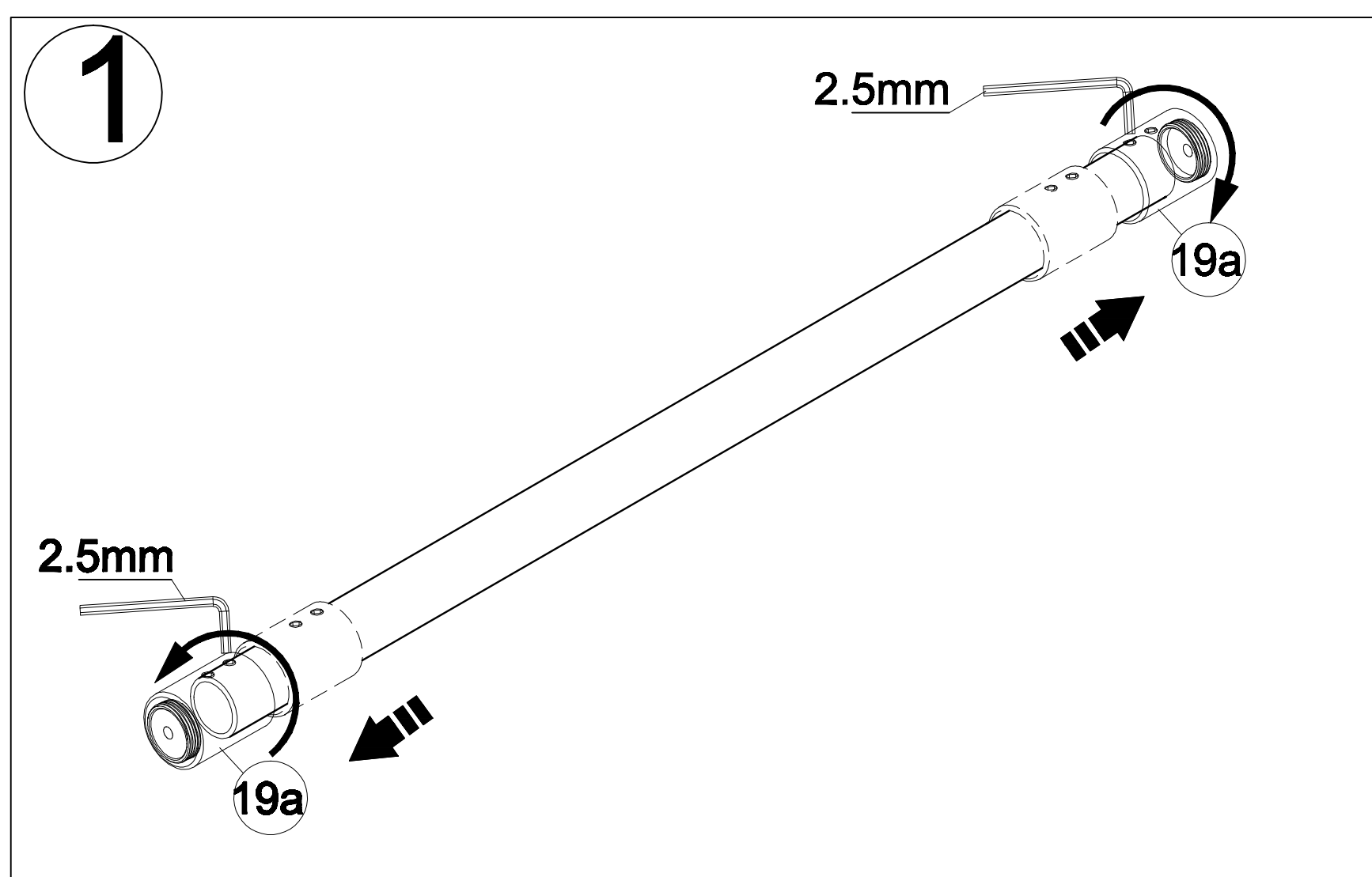
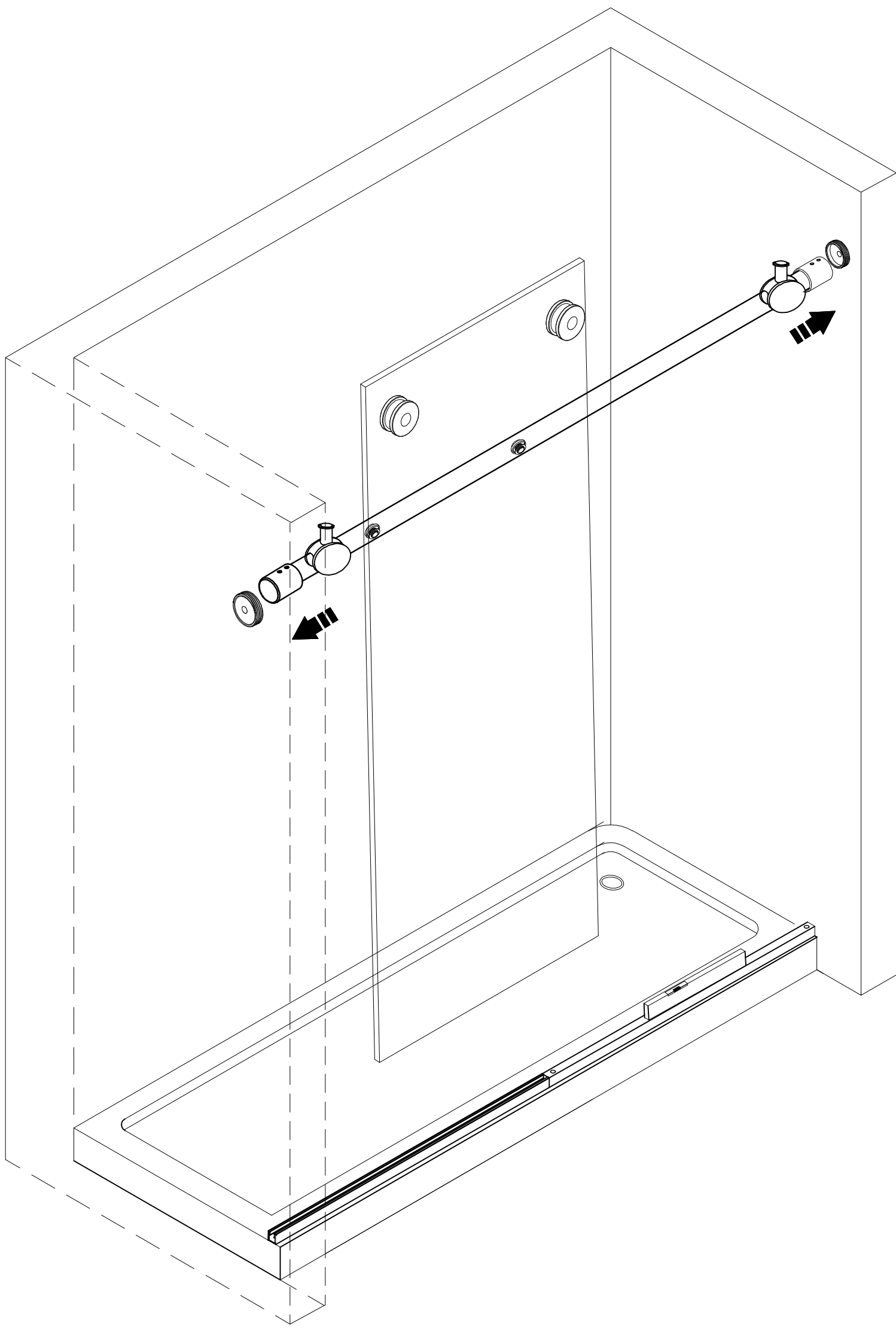
1. Install the roller .
2. Secure the two rollers (5) onto the movable door (6) and move it inside of shower area.



Left Hand Assembly

STEP 8

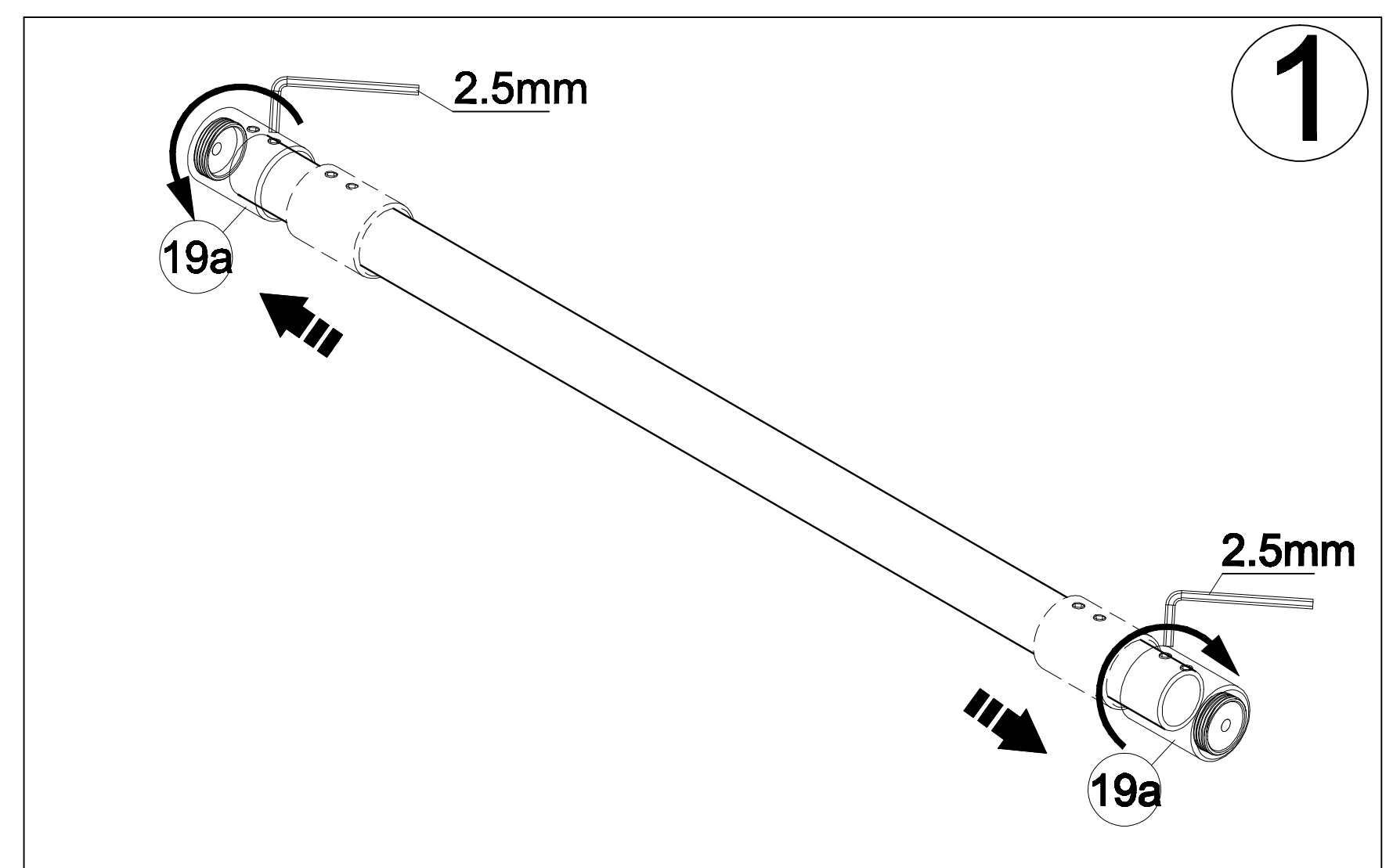
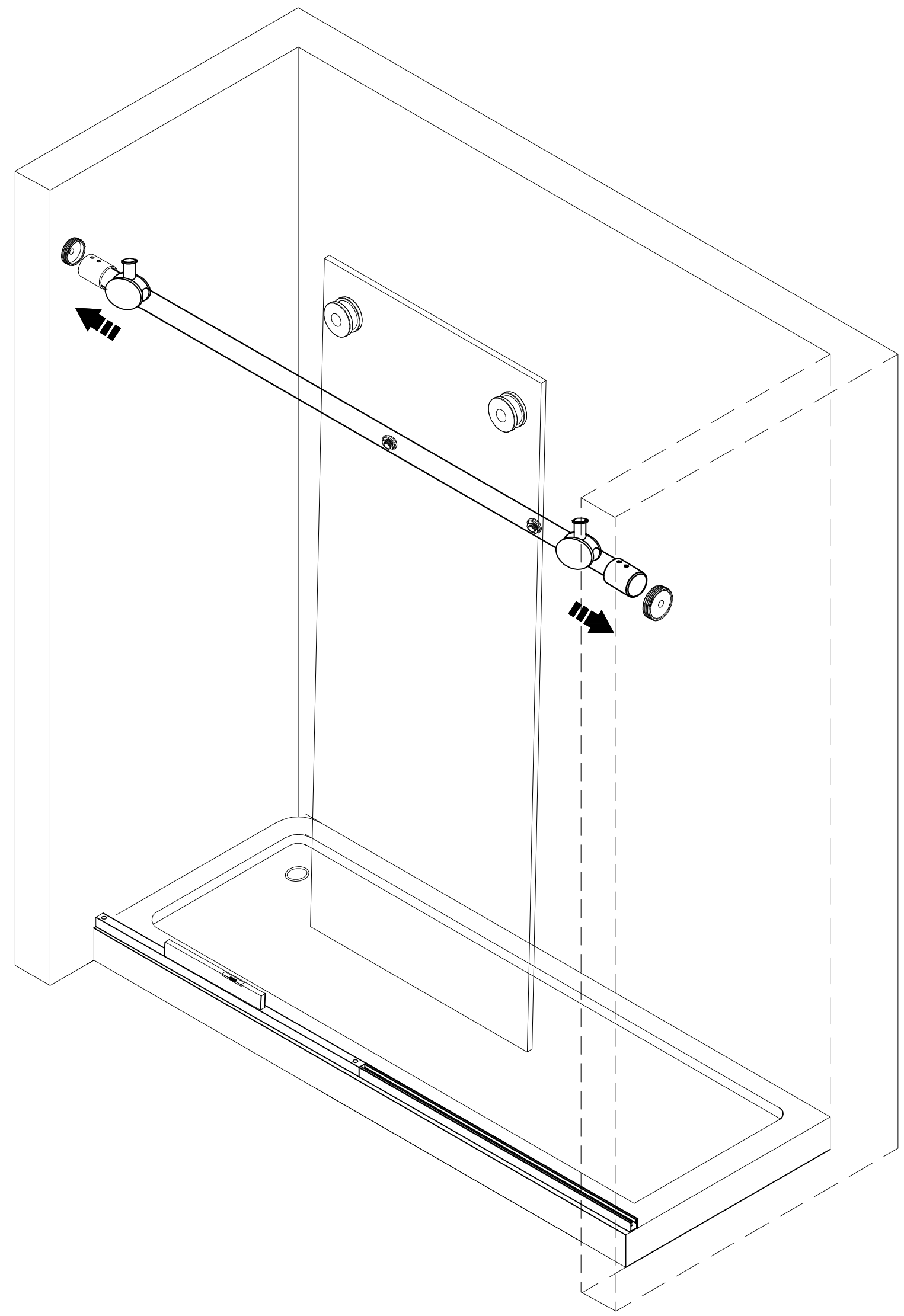
1. Install Top rail(18). Screw Rail wall connectors(19a) to Rail Rail wall connector(19b), then screw tight the connctor screw with 2.5mm Allen wrench.



Right Hand Assembly

STEP 8

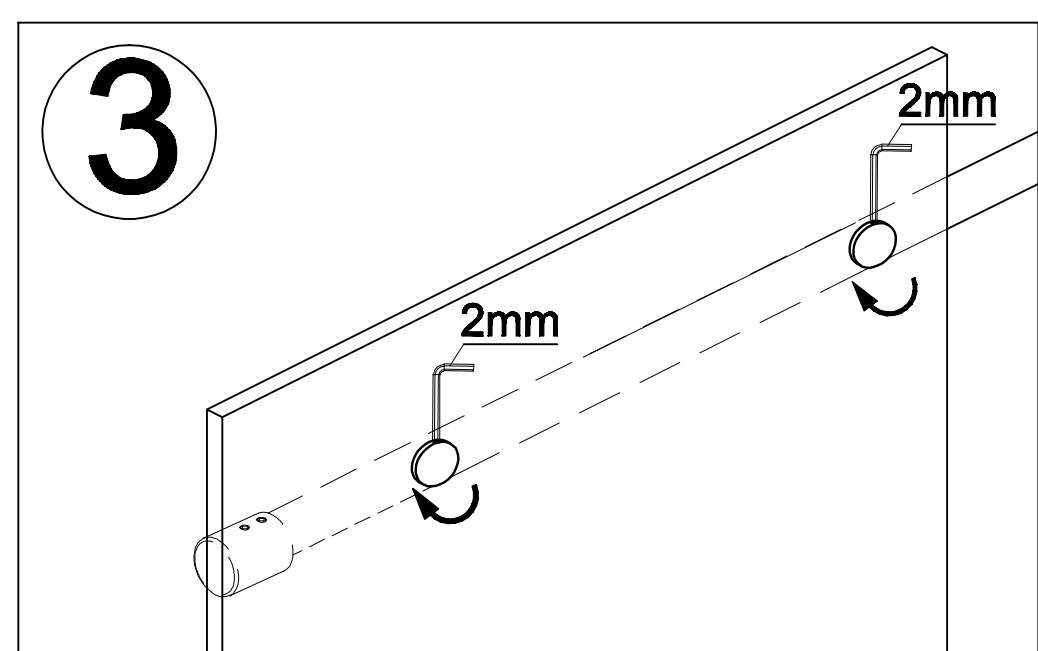
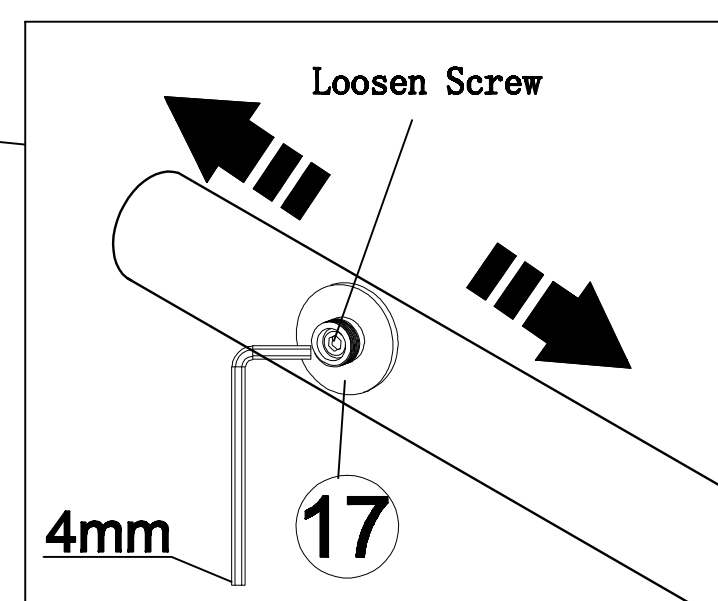
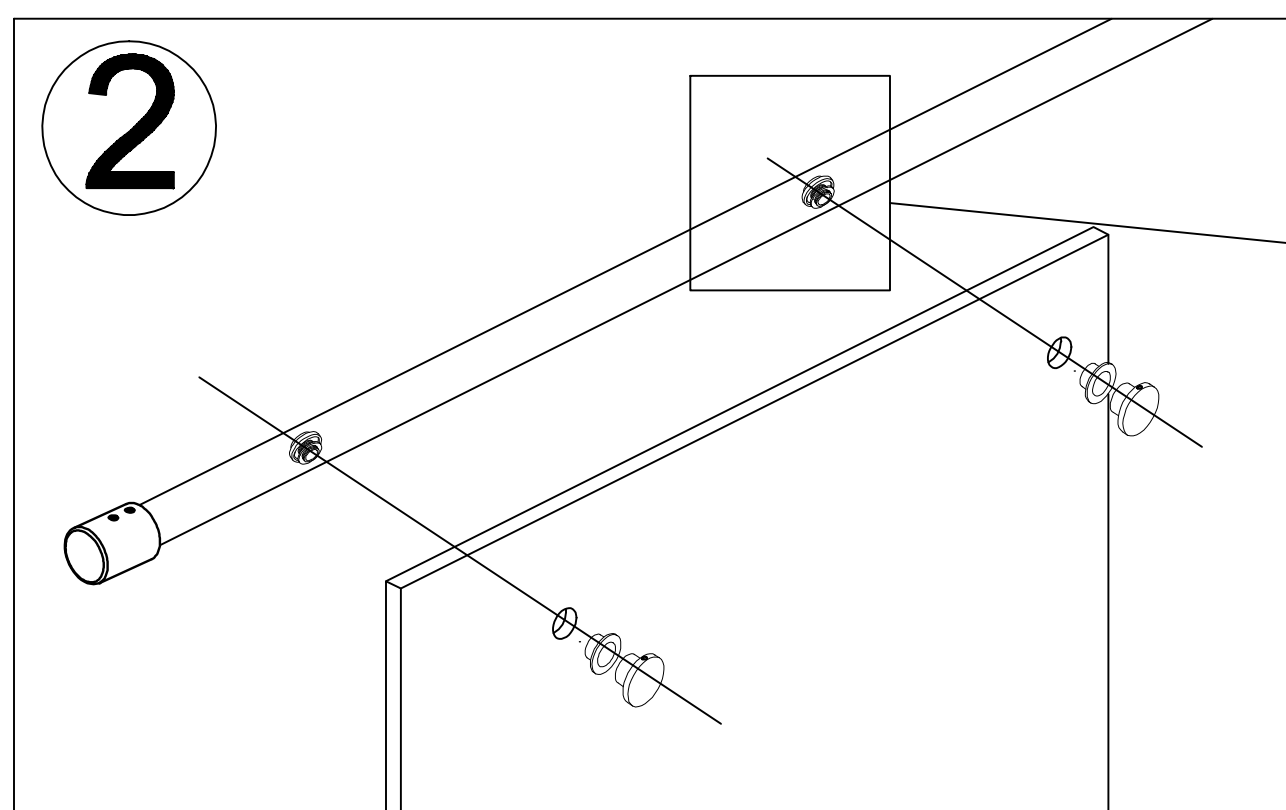
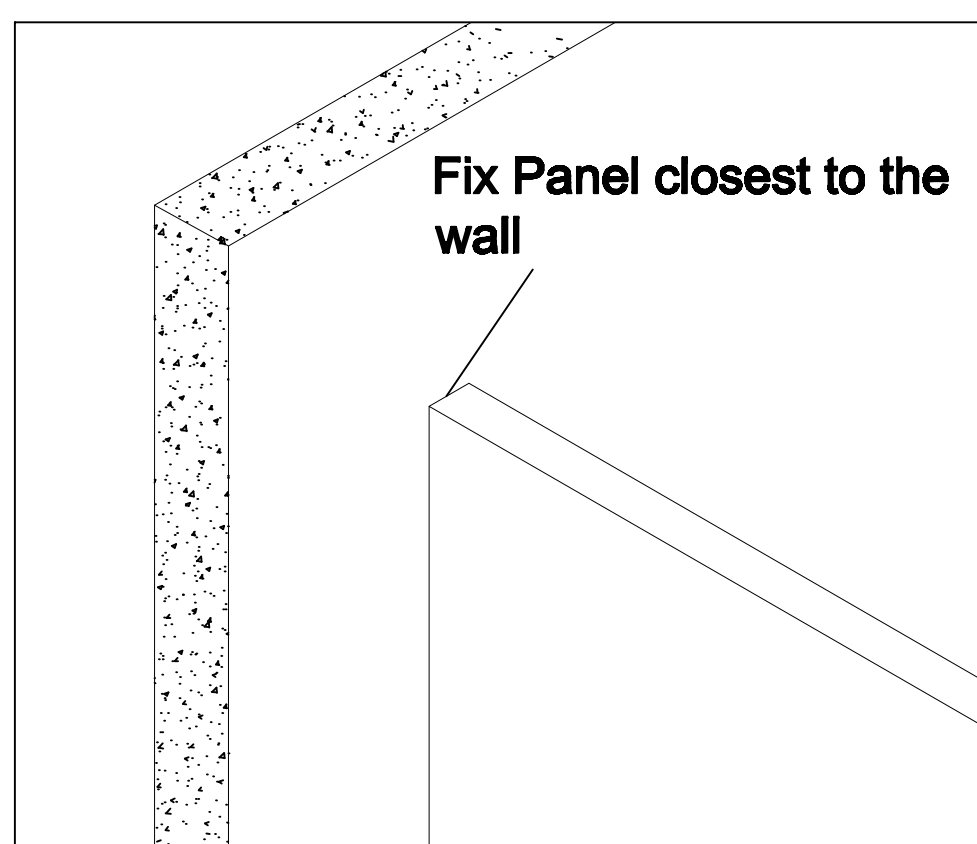
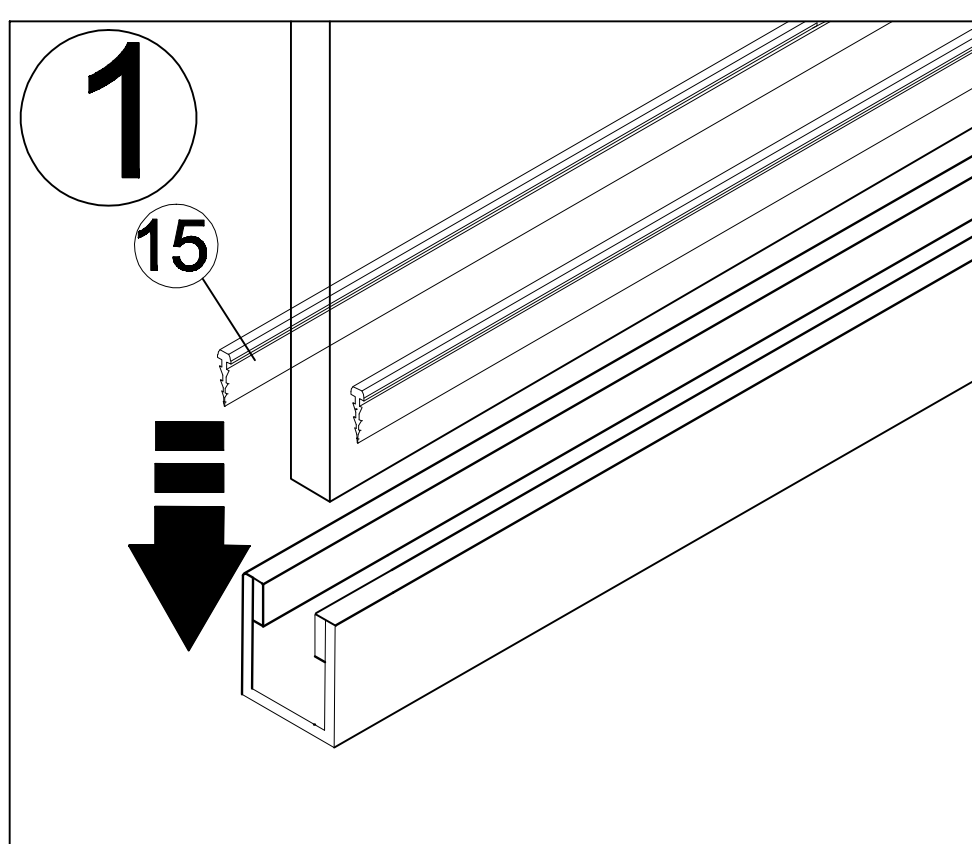
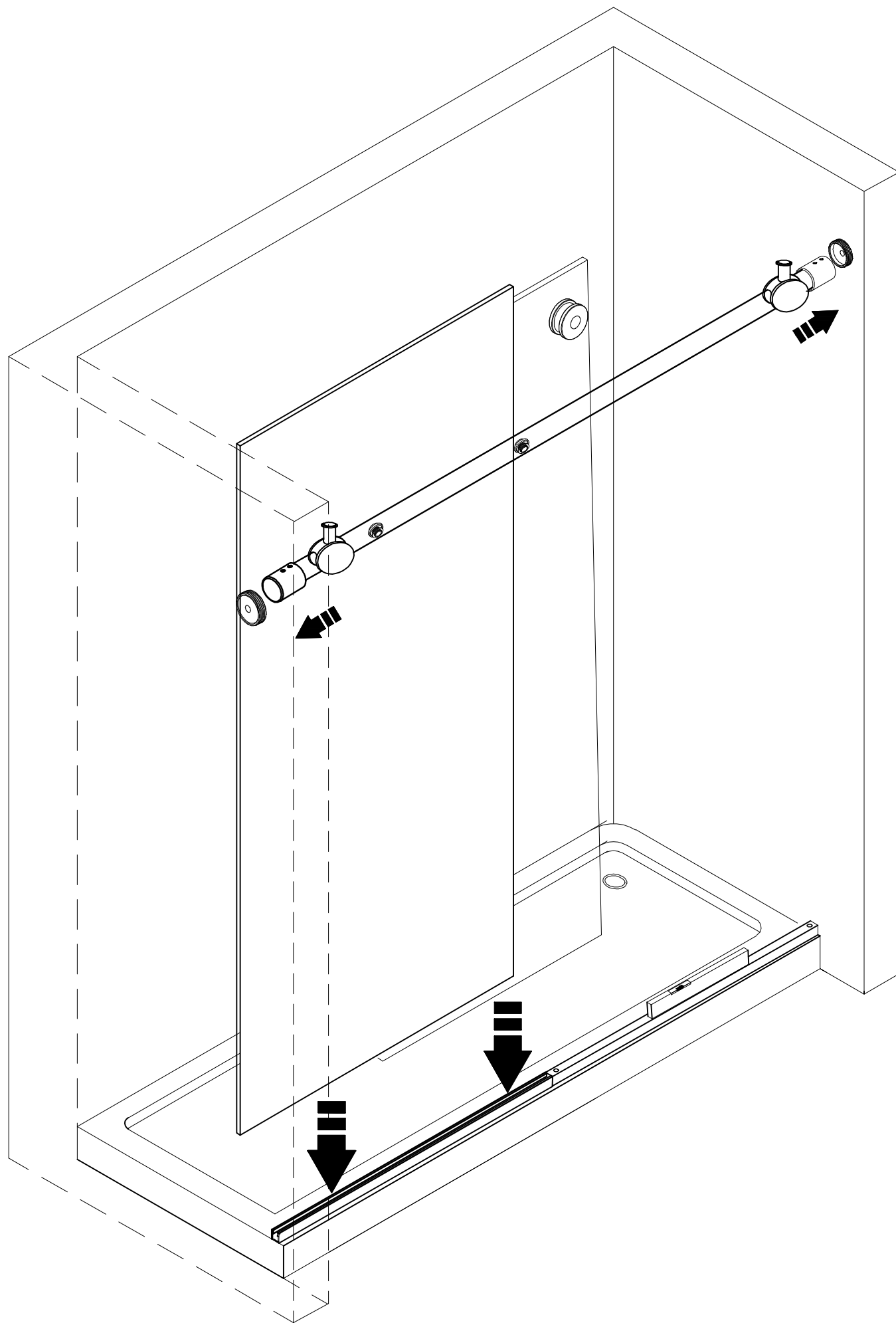
1. Install Top rail(18). Screw Rail wall connectors(19a) to Rail Rail wall connector(19b), then screw tight the connctor screw with 2.5mm Allen wrench.



Left Hand Assembly

STEP 9

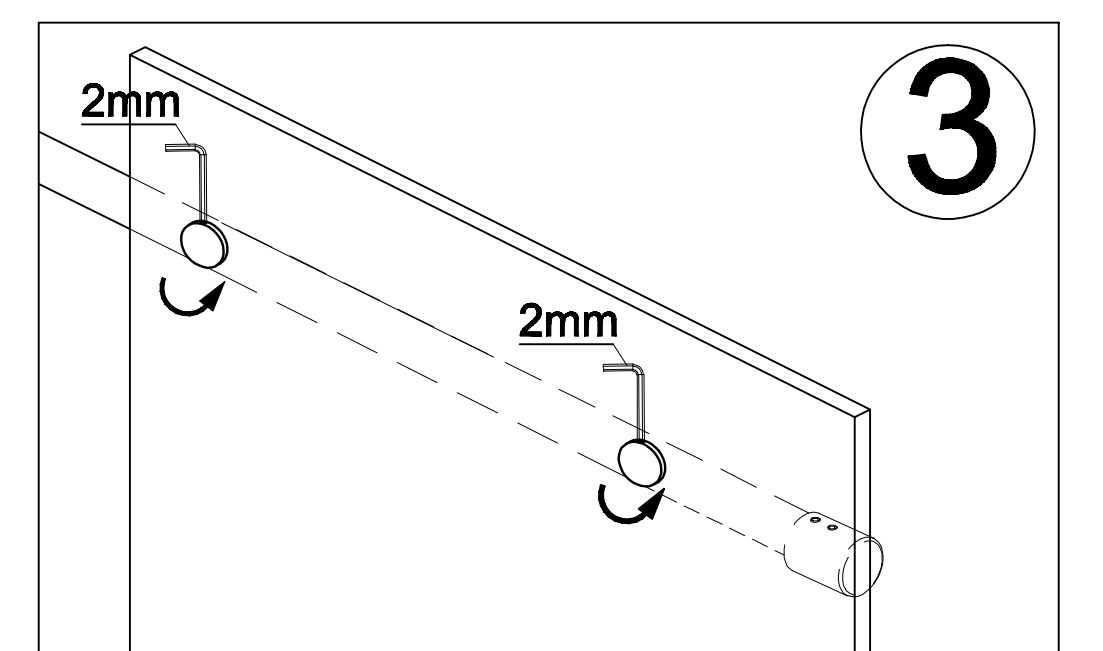
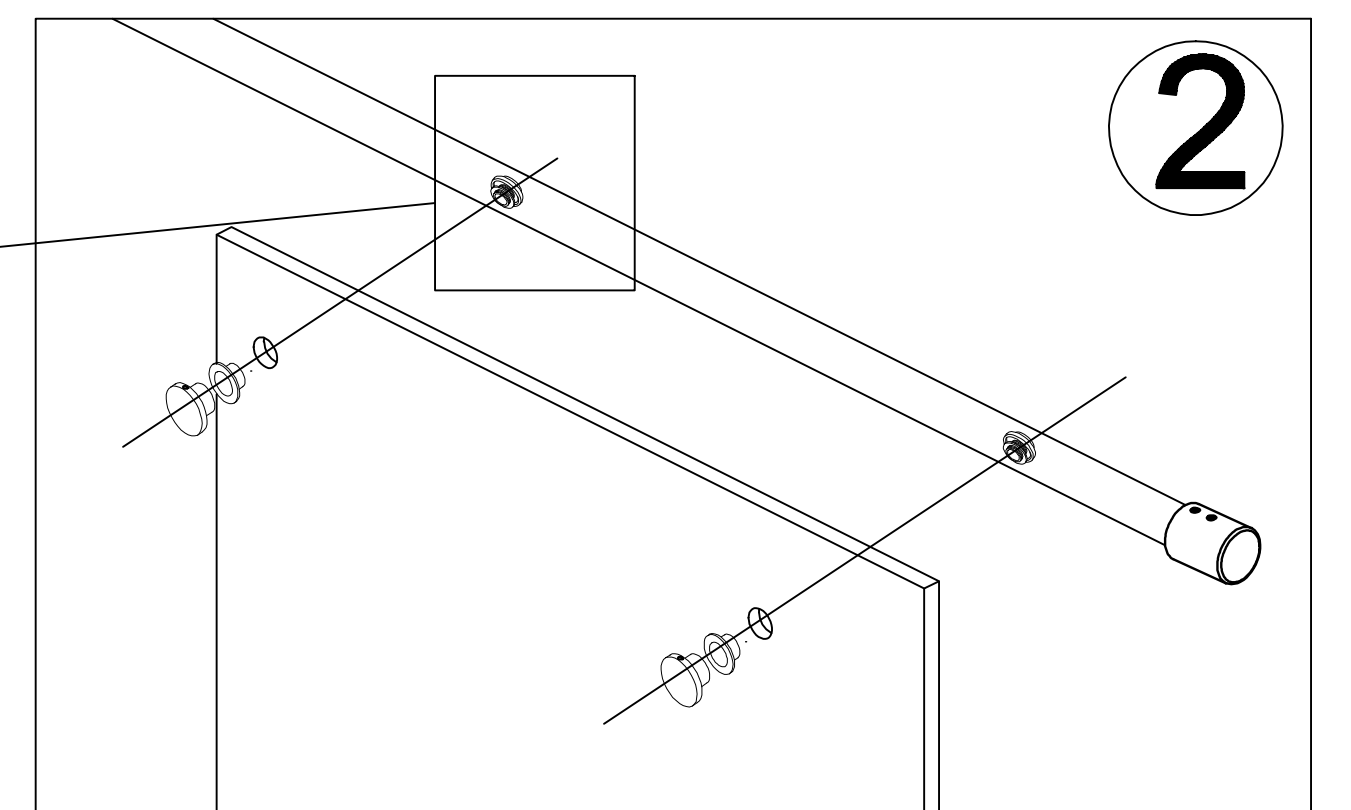
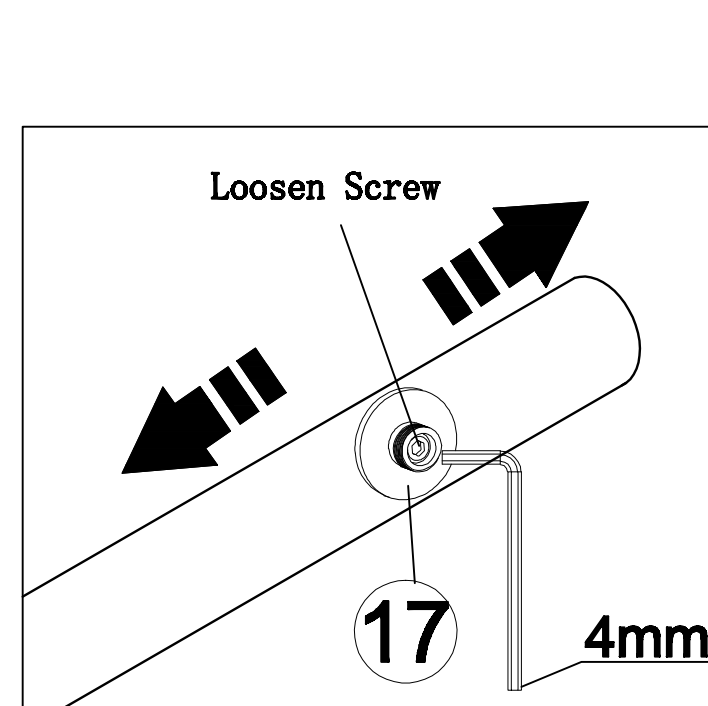
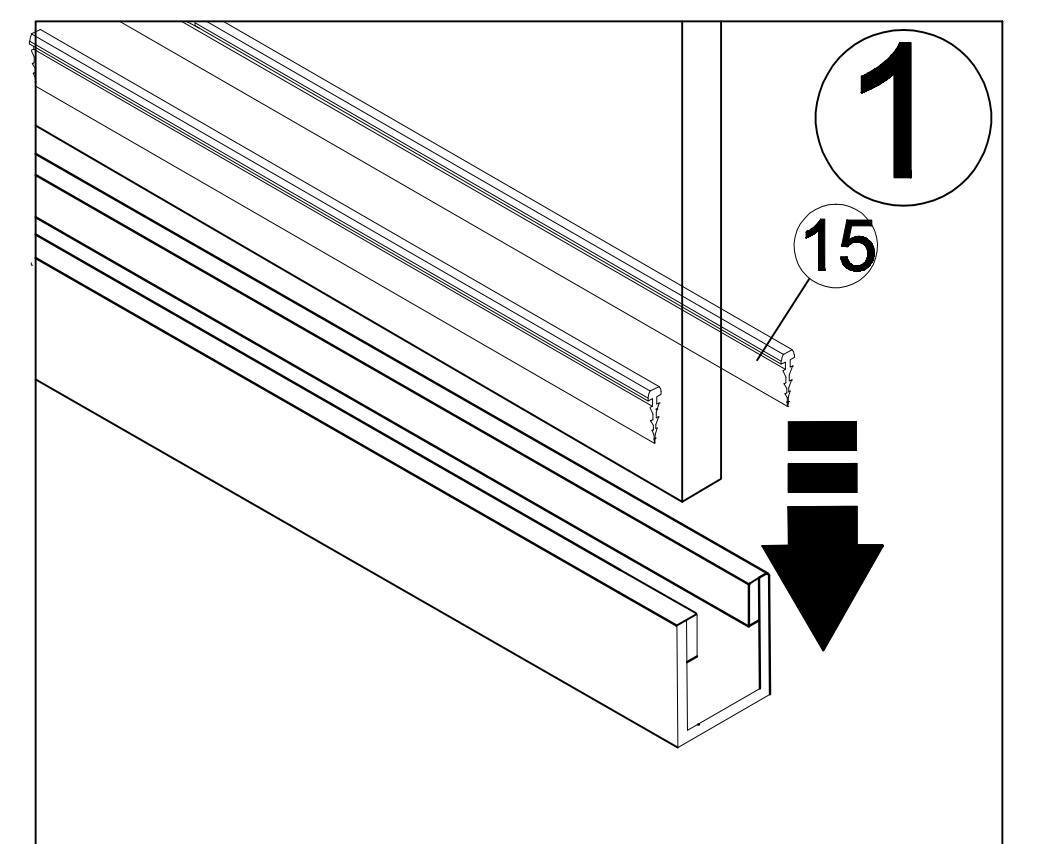
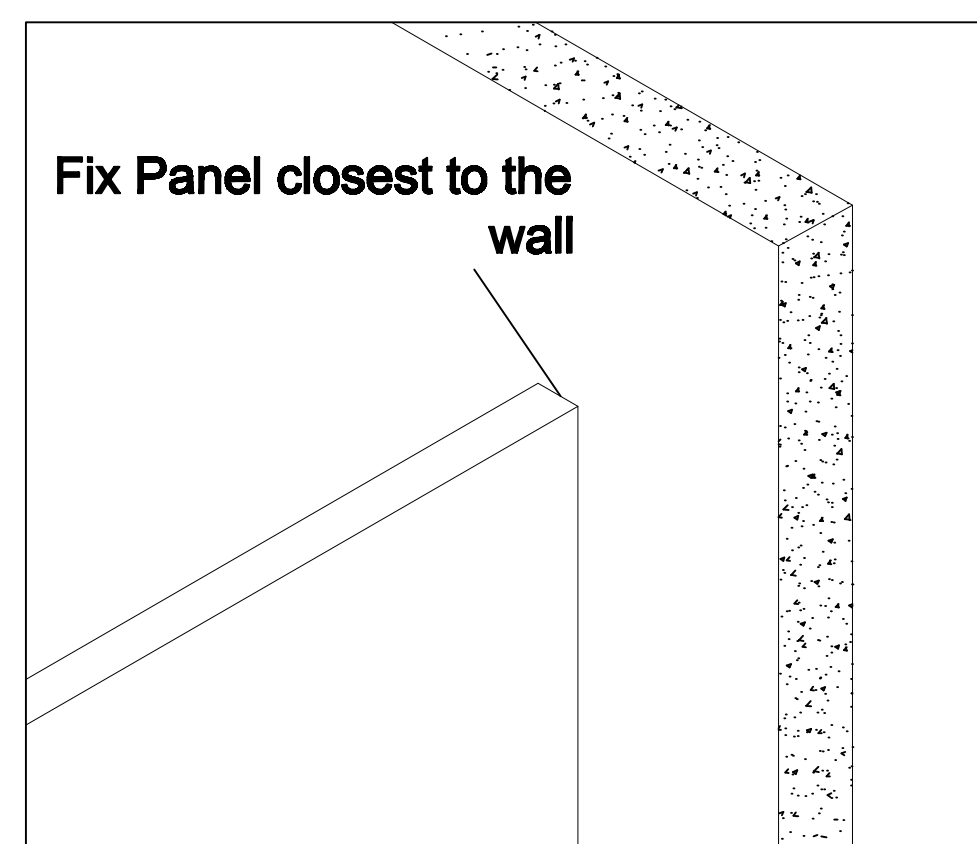
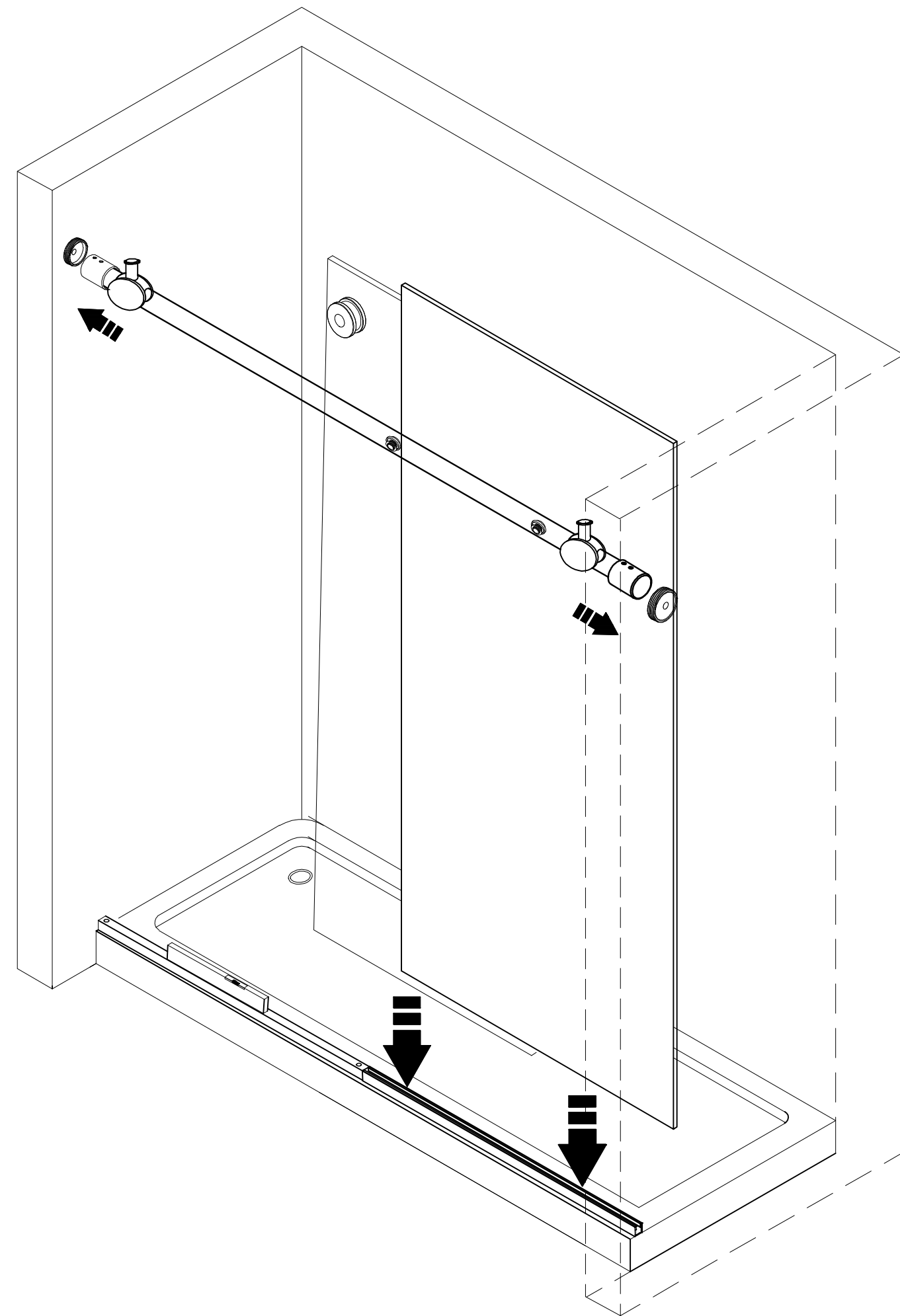
1. Remove the nut of Fixed panel fastener(17). Then install Fixed panel(16) on Fixed panel piece(12) and push Fixed panel(16) against the wall.(Note:the fixed panel(16) is on outside, the top rail(18) is on inside). Finally, install One-side strip(15).
- 2.Remove the nut of Fixed panel fastener(17).Assemble assembled Top rail(18) to Fixed panel(16) with Fixed panel fastener(17).Secure the nut use 4mm Allen wrench.
- 3.If the glass hole don't match the position of the Fixed panel faster(17), adjsut the positon of Fixed panel faster(17) with 2mm Allen wrench.



Right Hand Assembly

STEP 9

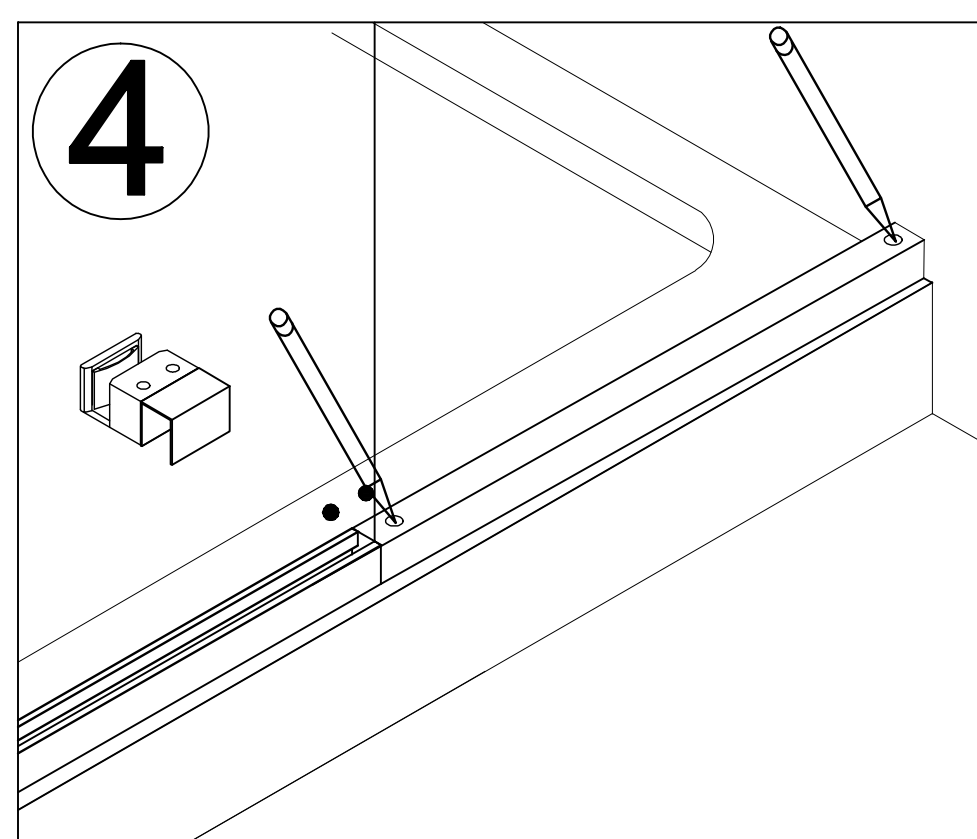
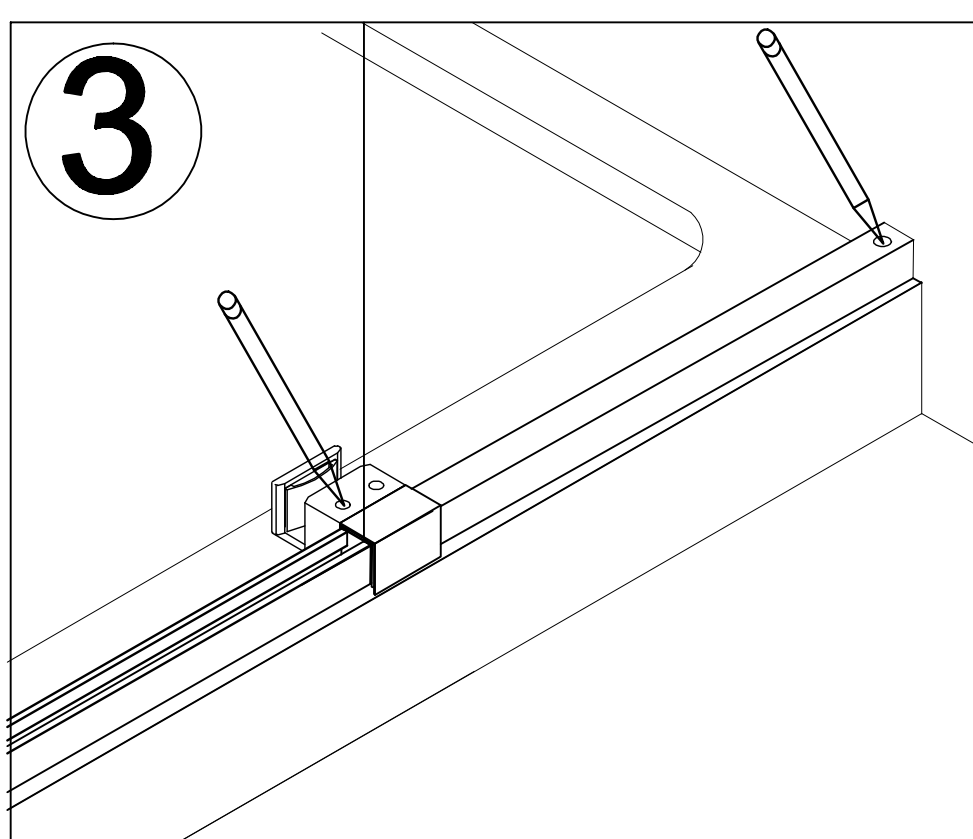
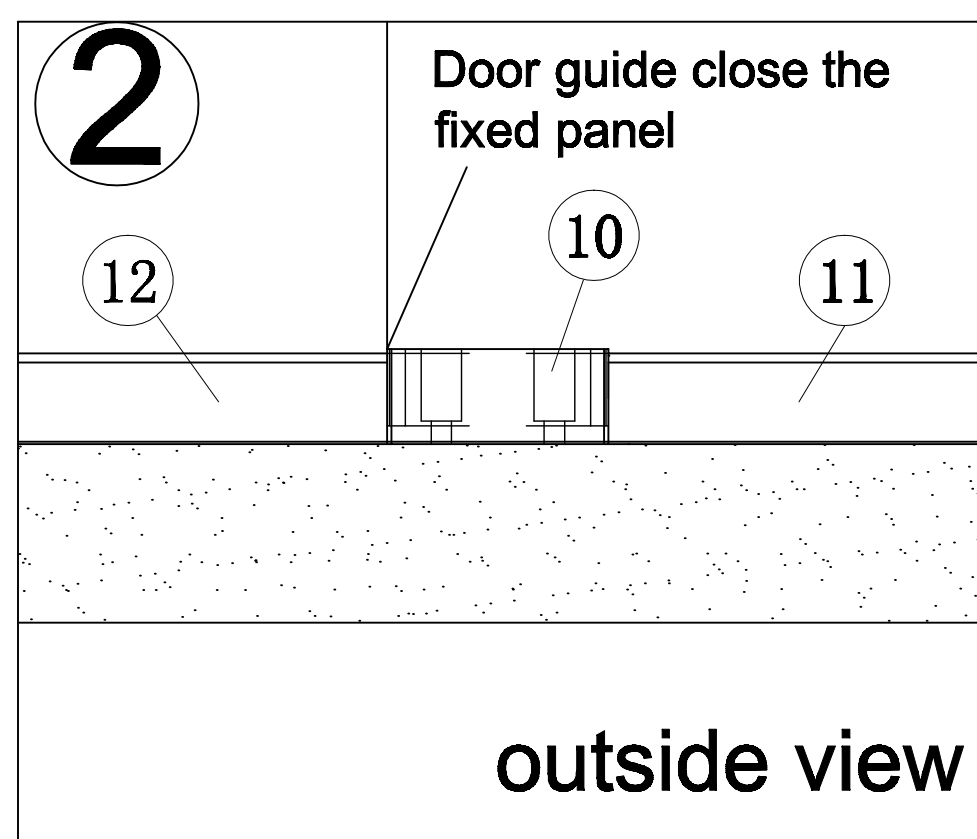
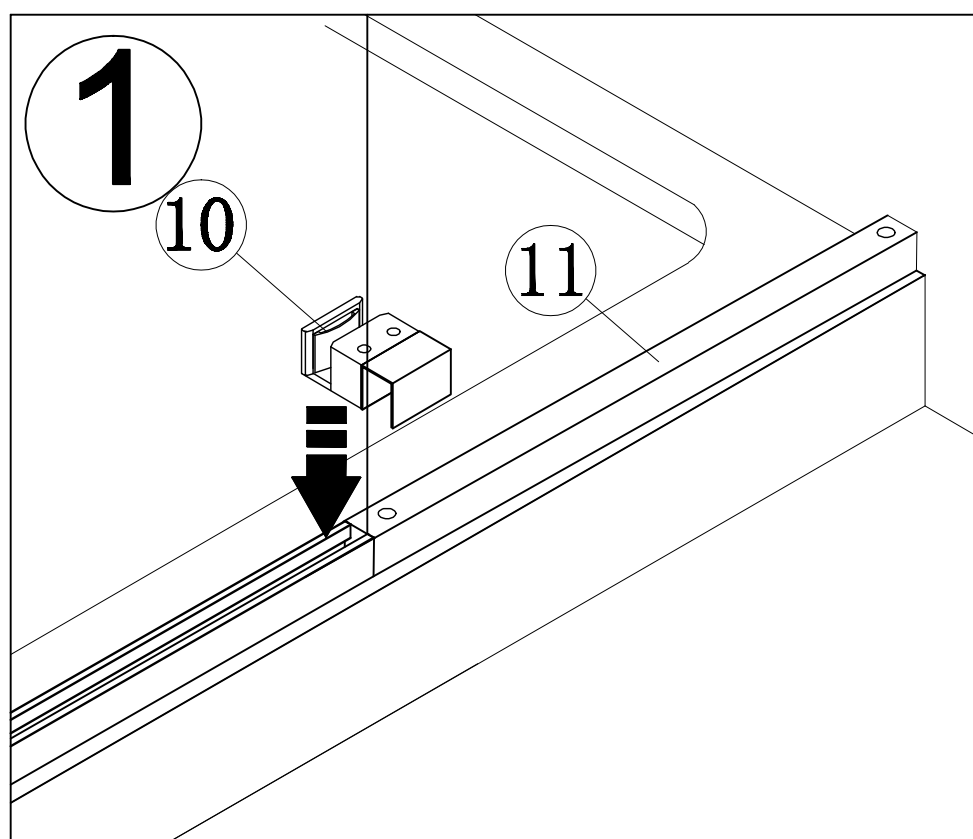
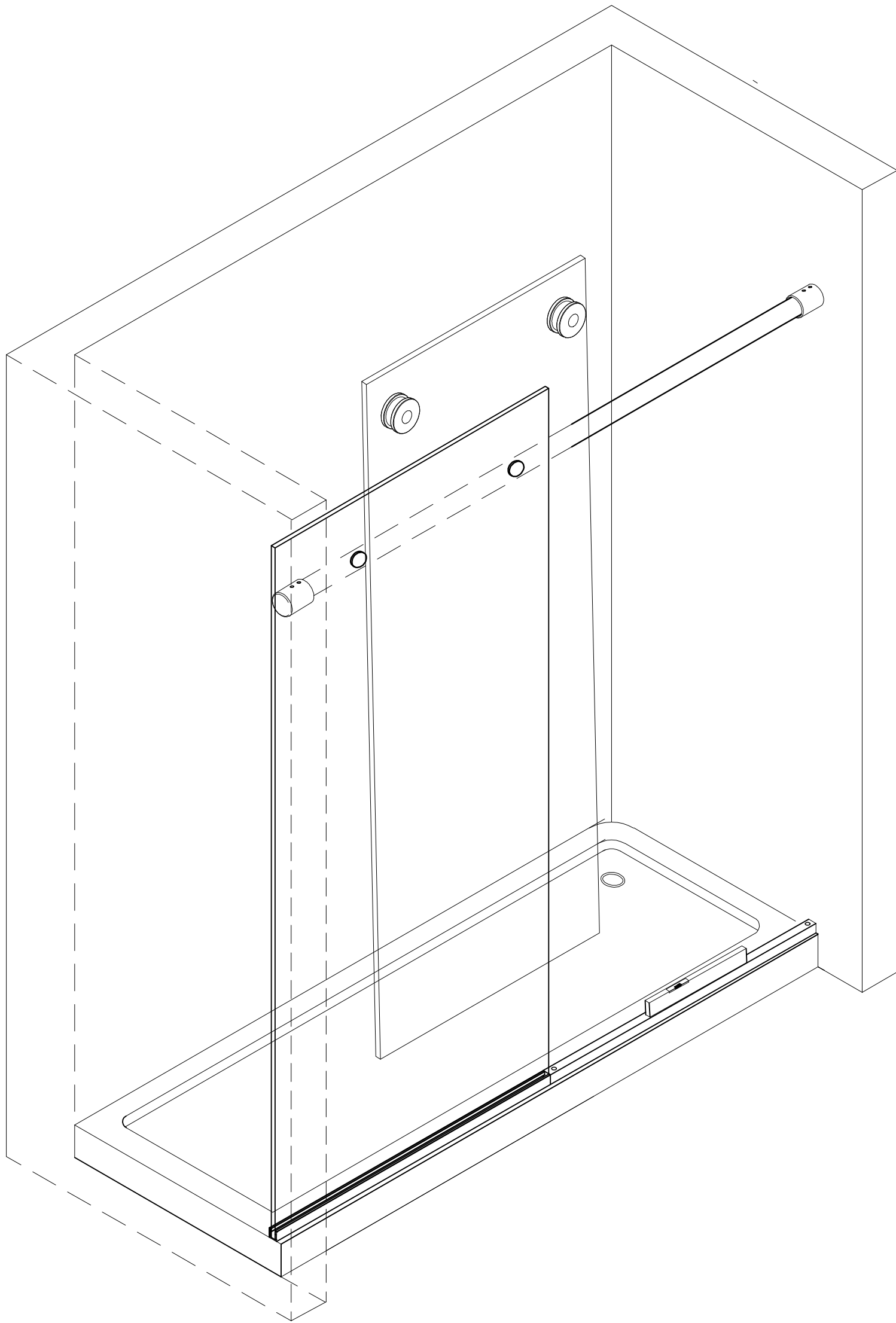
1. Remove the nut of Fixed panel fastener(17). Then install Fixed panel(16) on Fixed panel piece(12) and push Fixed panel(16) against the wall.(Note:the fixed panel(16) is on outside, the top rail(18) is on inside). Finally, install One-side strip(15).
- 2.Remove the nut of Fixed panel fastener(17).Assemble assembled Top rail(18) to Fixed panel(16) with Fixed panel fastener(17).Secure the nut use 4mm Allen wrench.
- 3.If the glass hole don't match the position of the Fixed panel faster(17), adjsut the positon of Fixed panel faster(17) with 2mm Allen wrench.



Left Hand Assembly

STEP 10

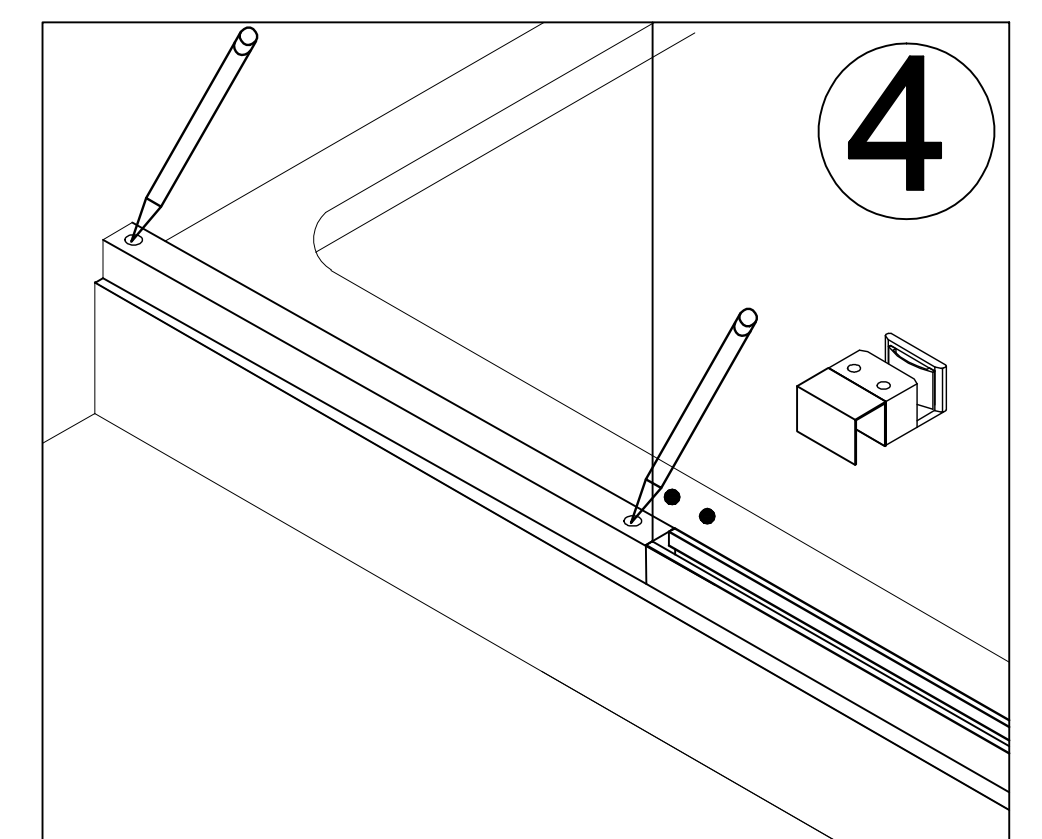
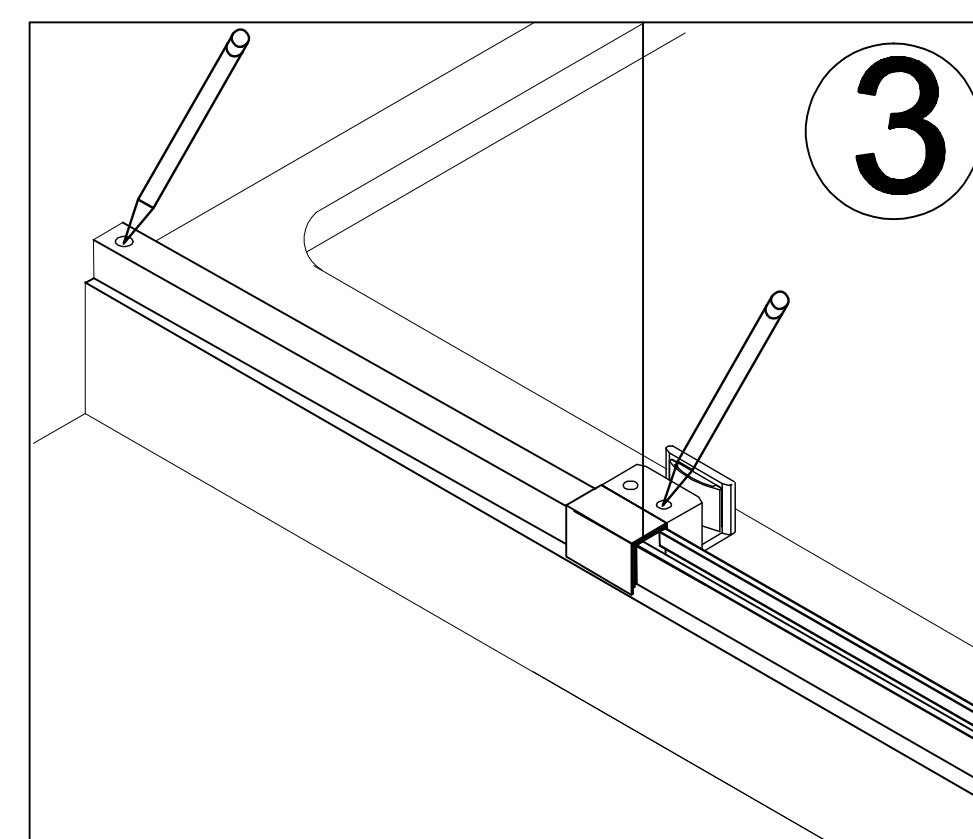
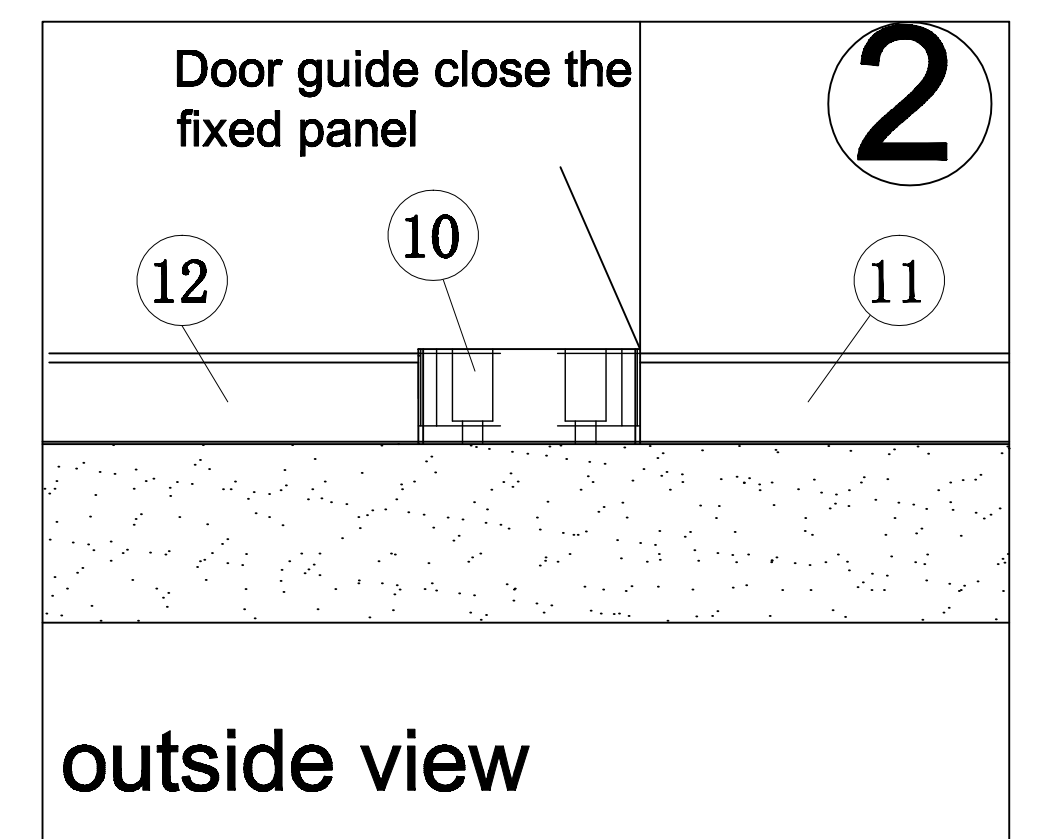
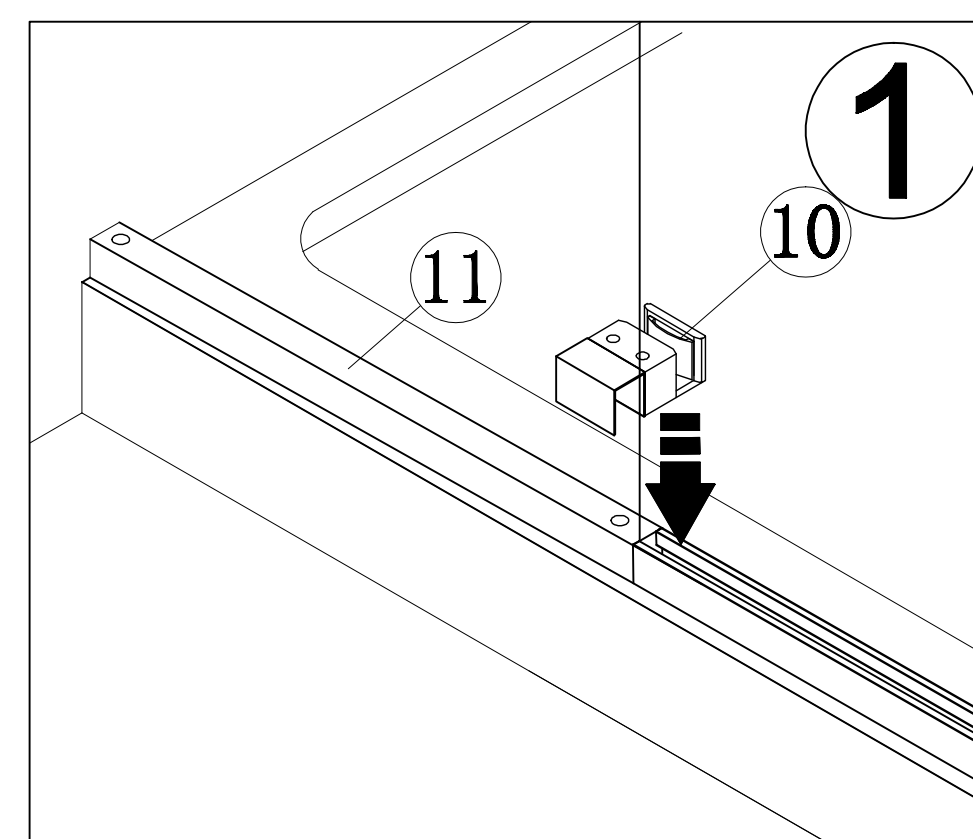
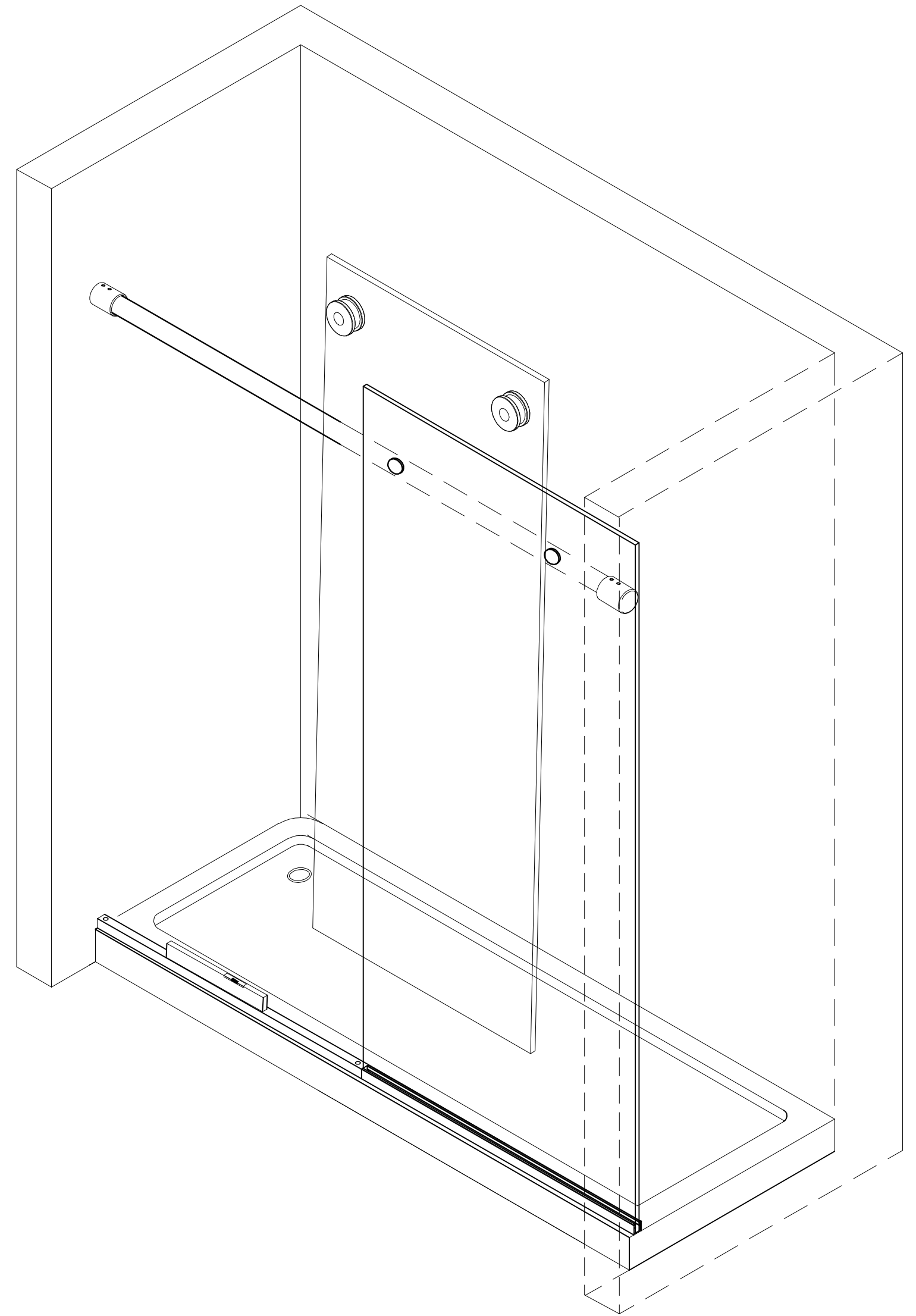
1. Put the door guide(10) between the sliding glass bar(11) and fixed panel piece(12).
2. Please note that door guide(10) side should be aligned with the end of fixed panel .
3. Locate door guide(10) and level sliding glass bar(11) with level, mark the hole position of door guide(10).
4. Take away door guide(10) and mark the hole position of sliding glass bar(11).



Right Hand Assembly

STEP 10

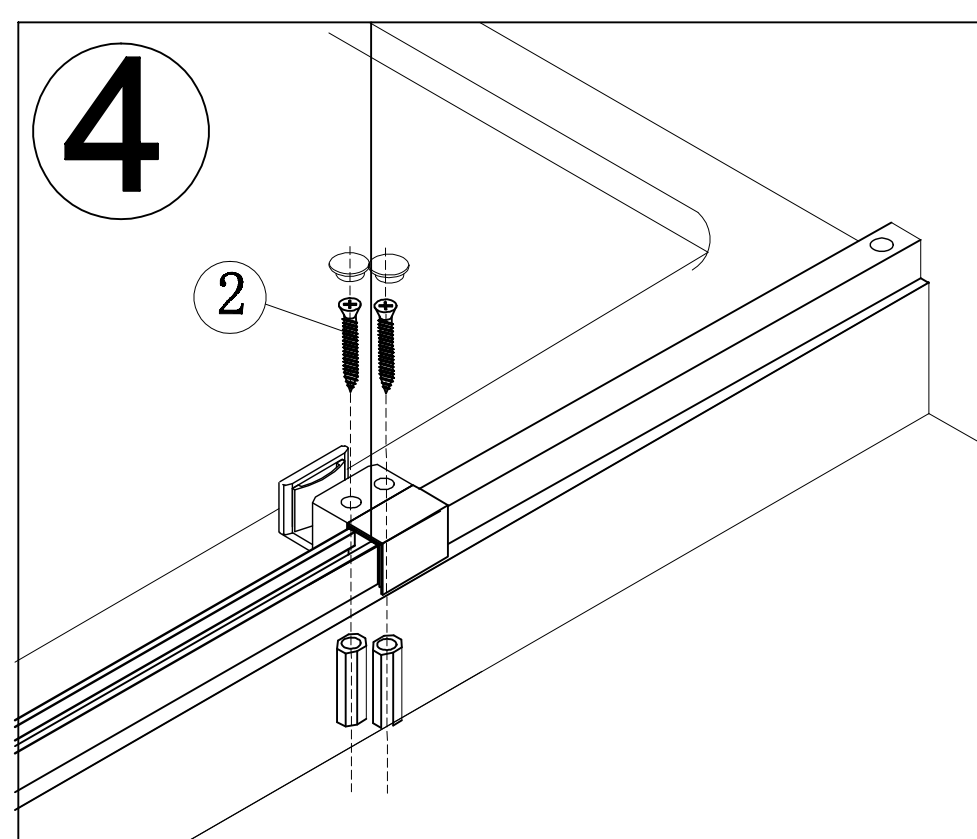
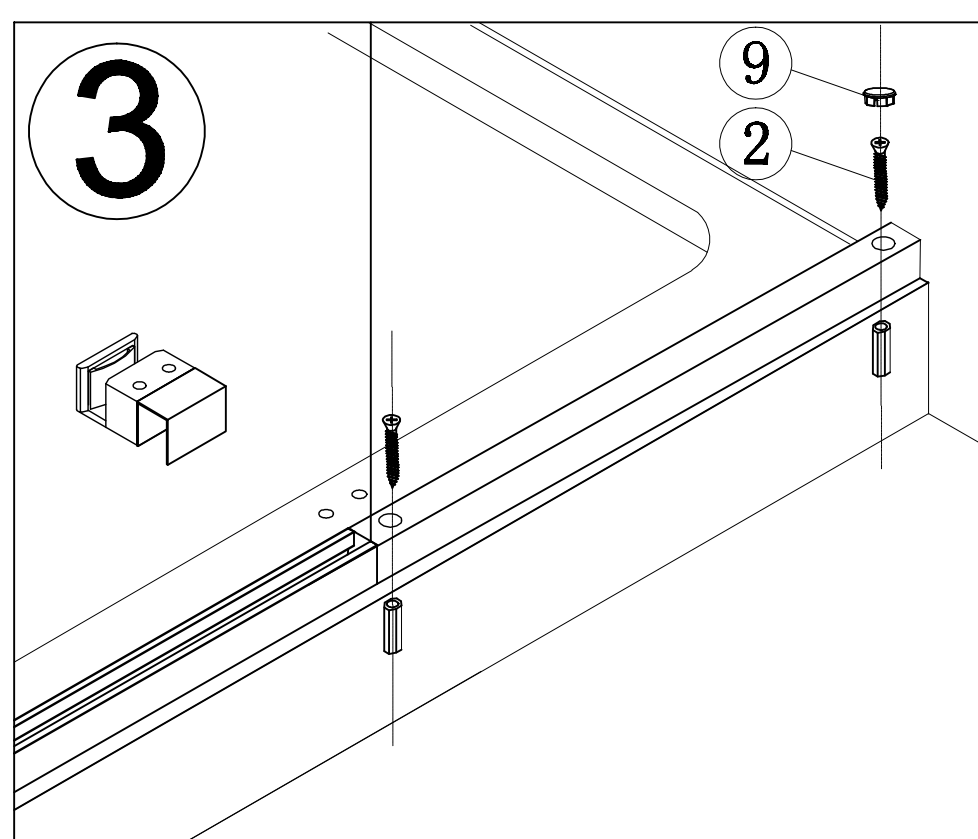
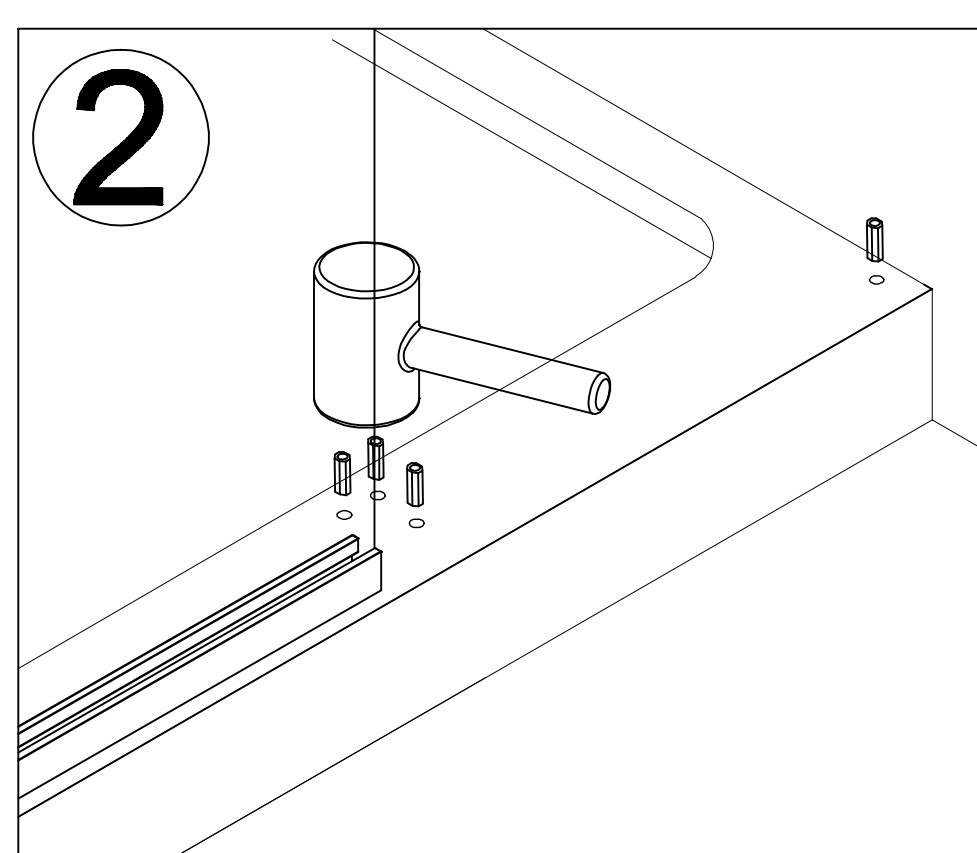
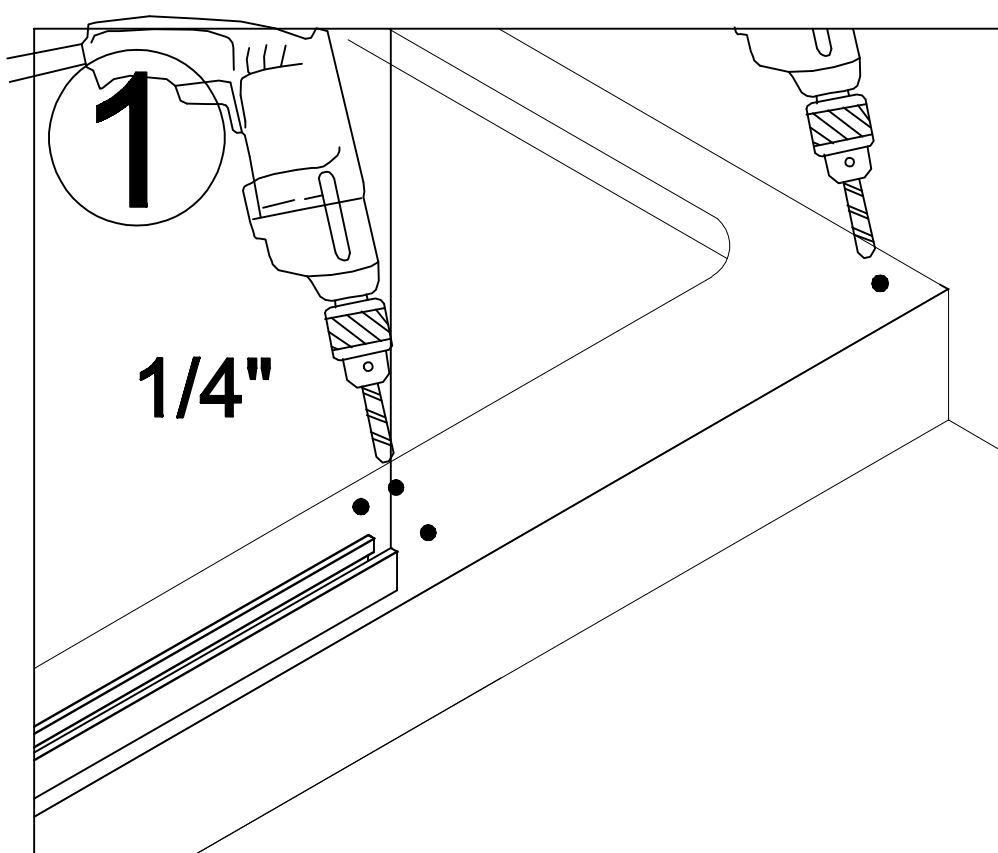
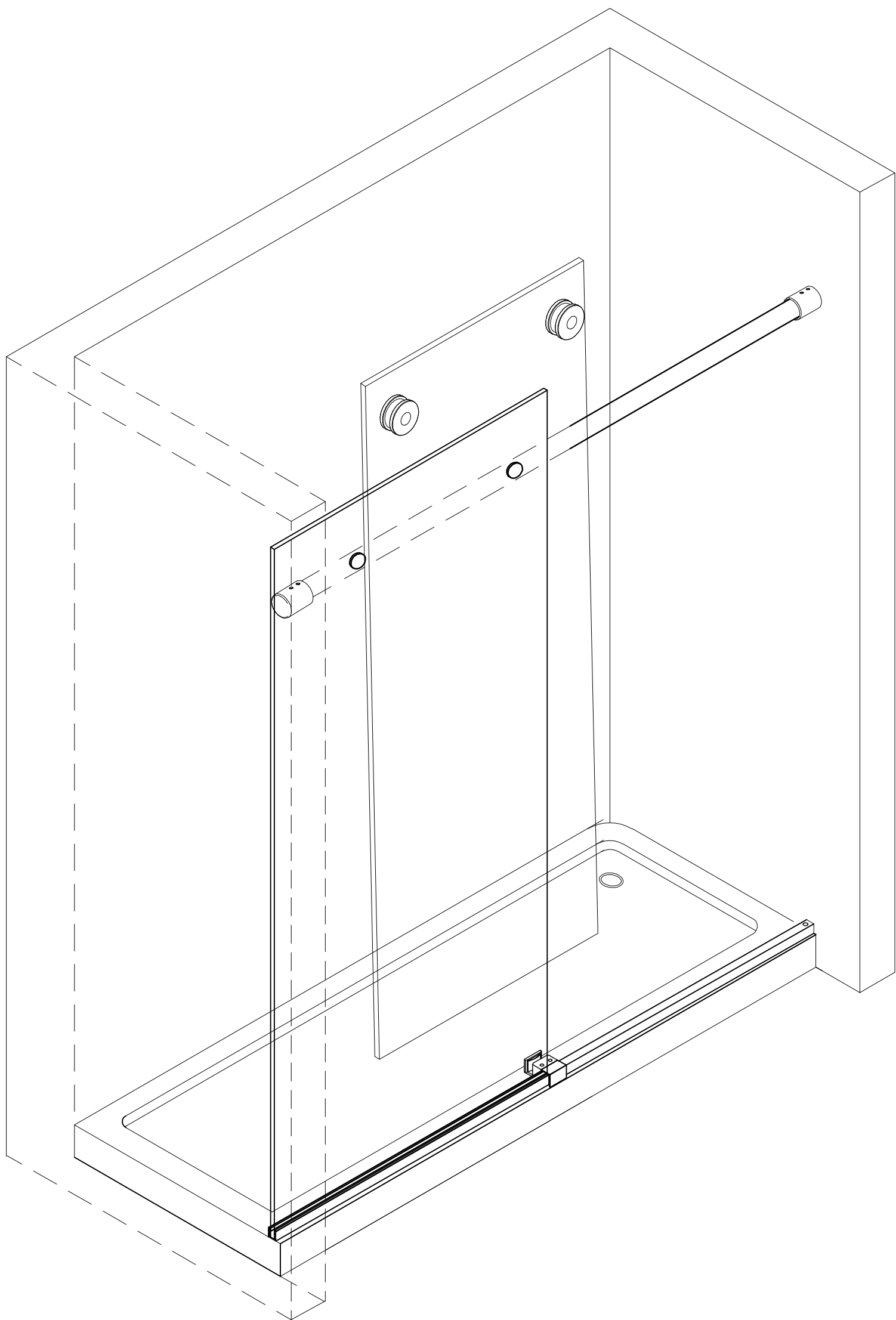
1. Put the door guide(10) between the sliding glass bar(11) and fixed panel piece(12).
2. Please note that door guide(10) side should be aligned with the end of fixed panel .
3. Locate door guide(10) and level sliding glass bar(11) with level, mark the hole position of door guide(10).
4. Take away door guide(10) and mark the hole position of sliding glass bar(11).



Left Hand Assembly

STEP 11

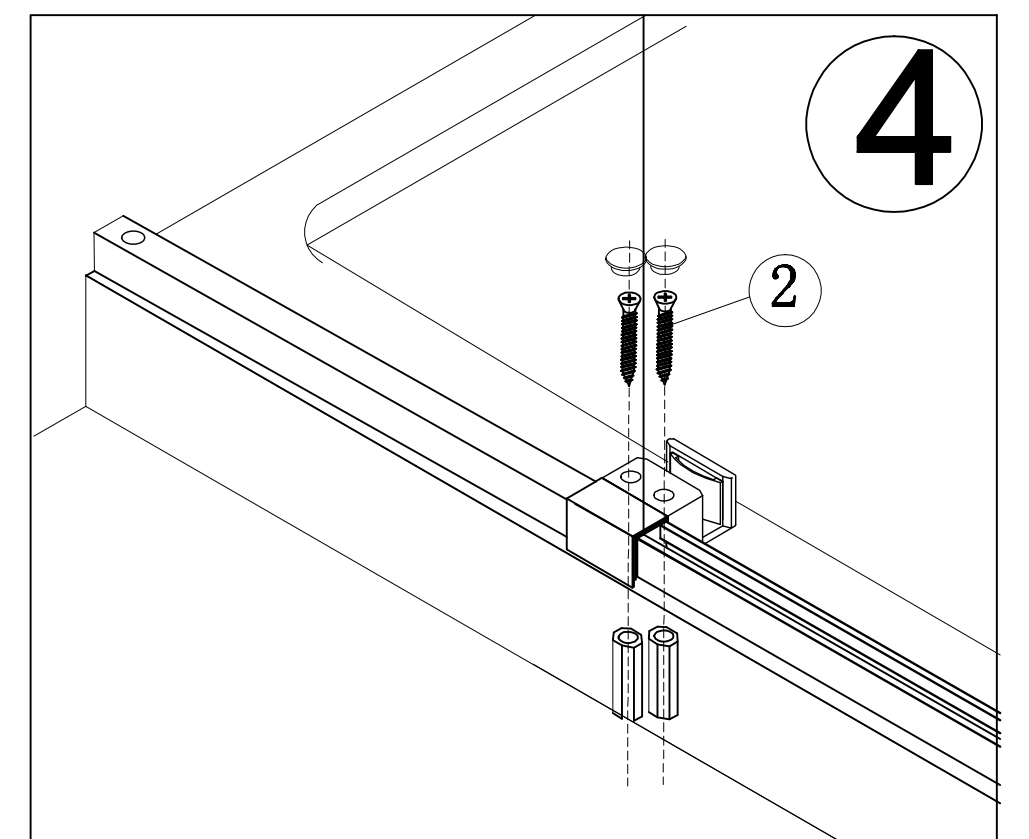
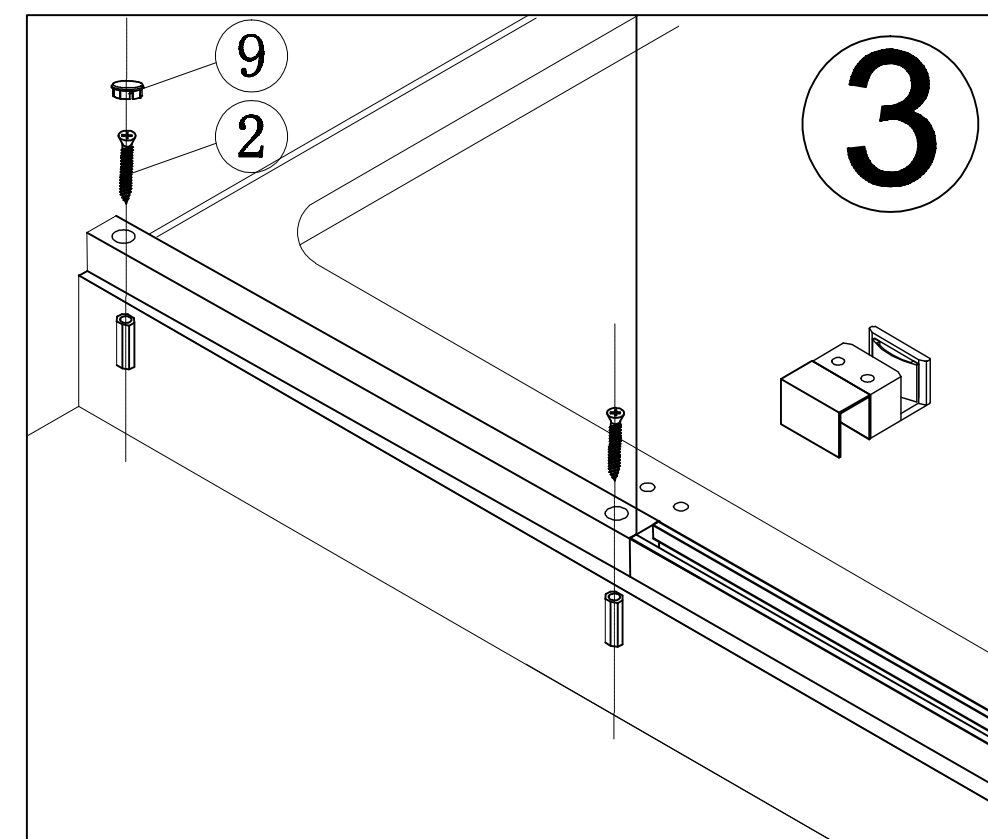
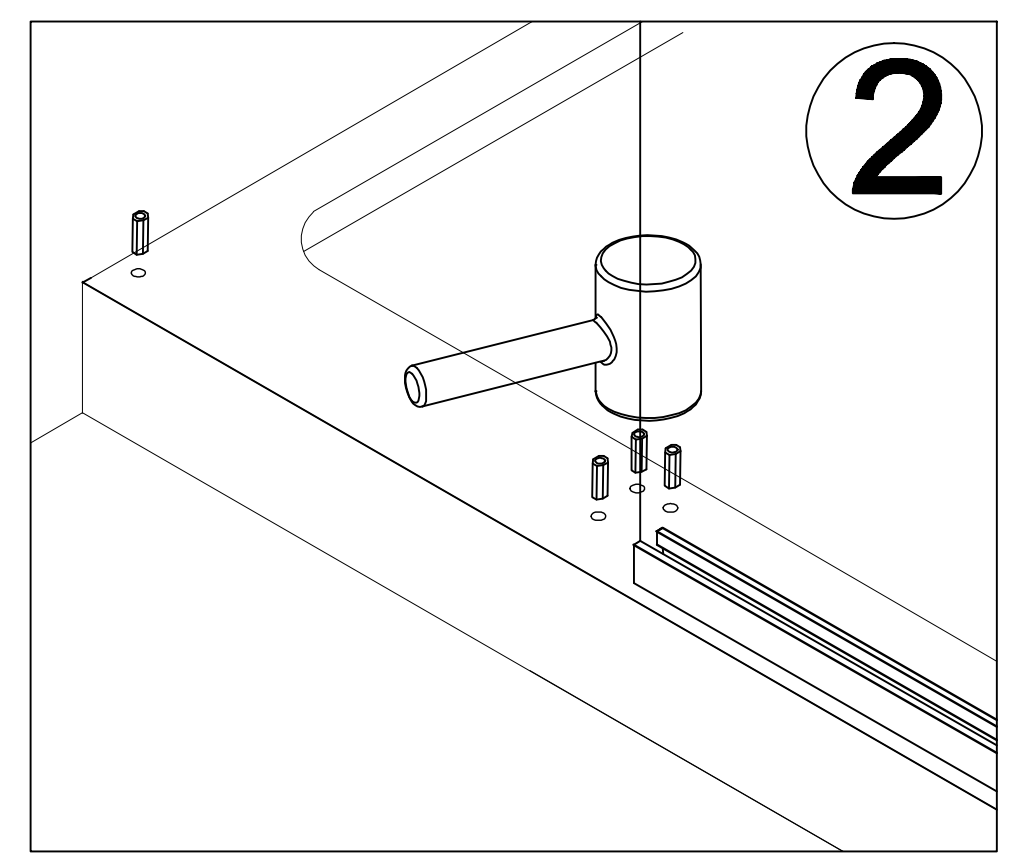
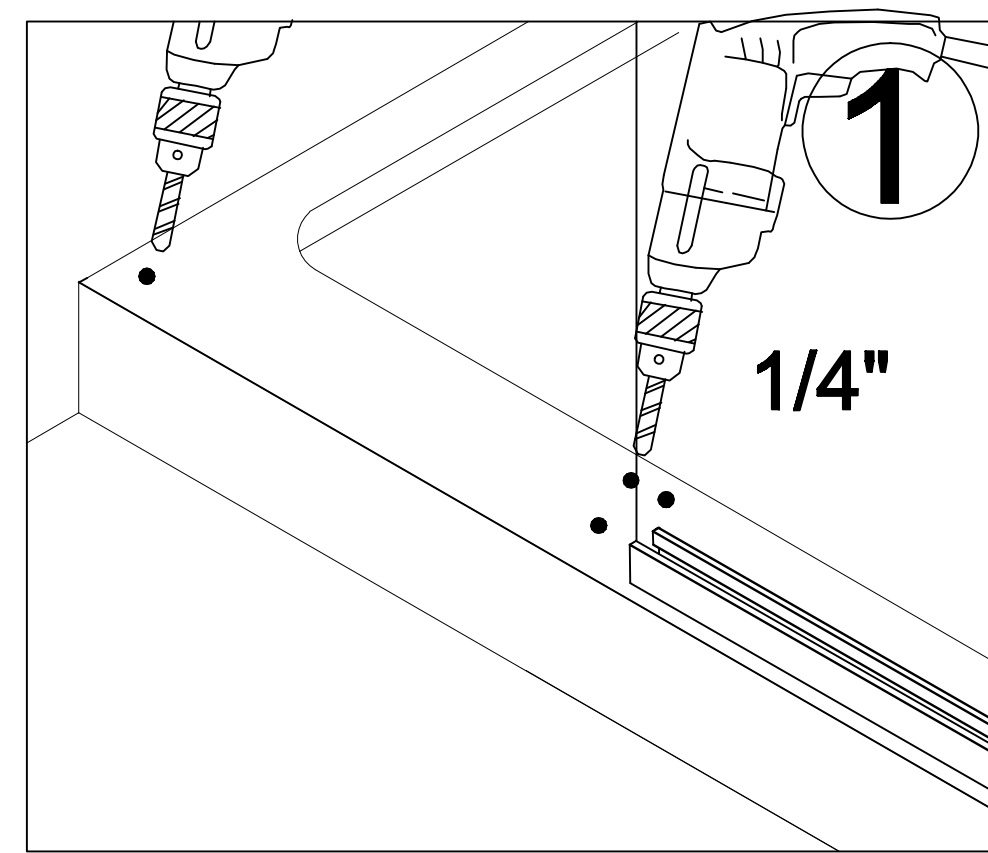
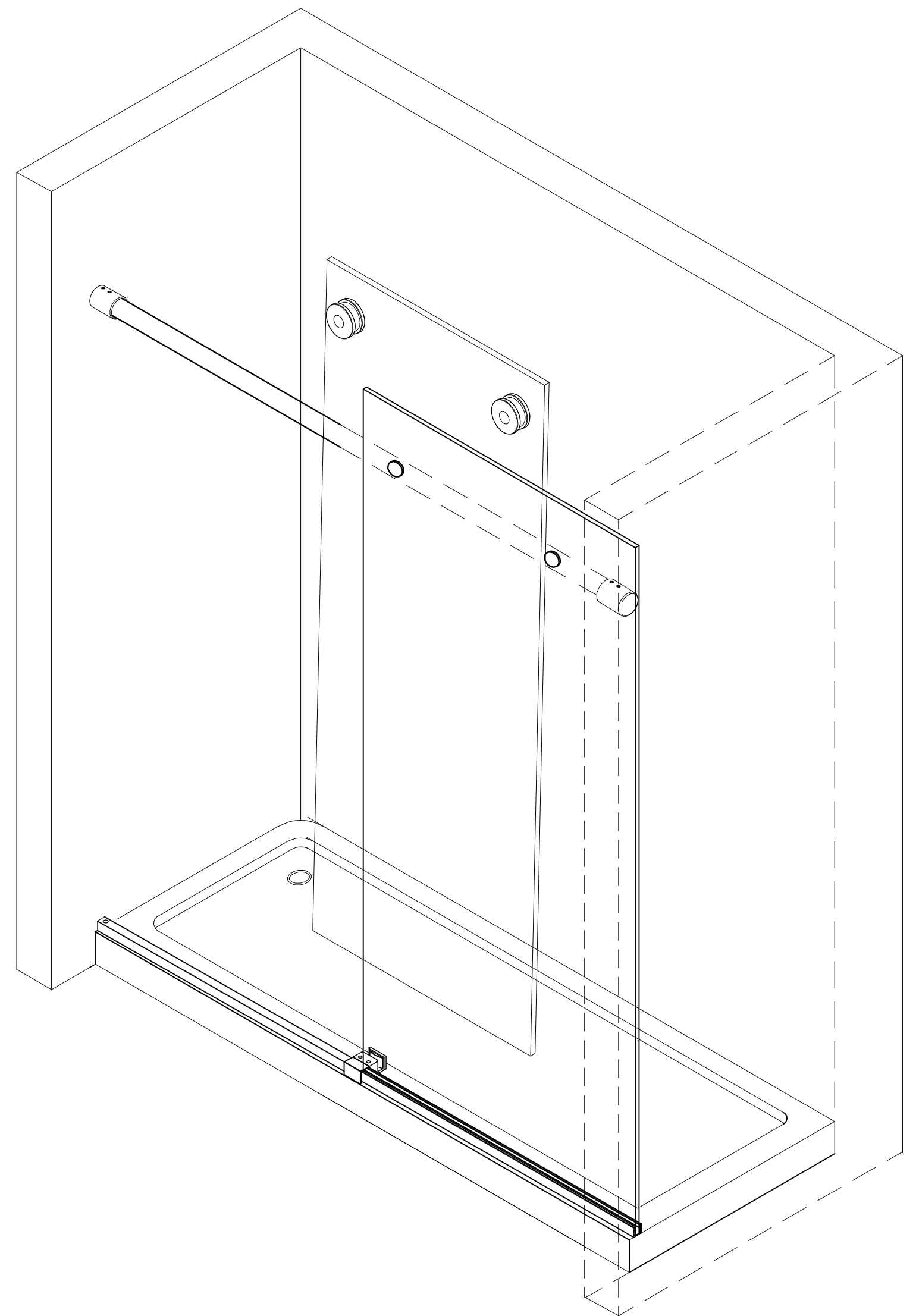
1. Take away sliding glass bar(11) and drill holes on markings.
2. Hammer wall anchor 6*1"(1) into the hole.
3. Use self-tapping screws(2) to secure sliding glass bar(11) and cover the wall-side screw with locating block cap(9).
4. Secure door guide(10) with self-tapping screws(2) and cover with locating block cap(9).



Right Hand Assembly

STEP 11

1. Take away sliding glass bar(11) and drill holes on markings.
2. Hammer wall anchor 6*1"(1) into the hole.
3. Use self-tapping screws(2) to secure sliding glass bar(11) and cover the wall-side screw with locating block cap(9).
4. Secure door guide(10) with self-tapping screws(2) and cover with locating block cap(9).

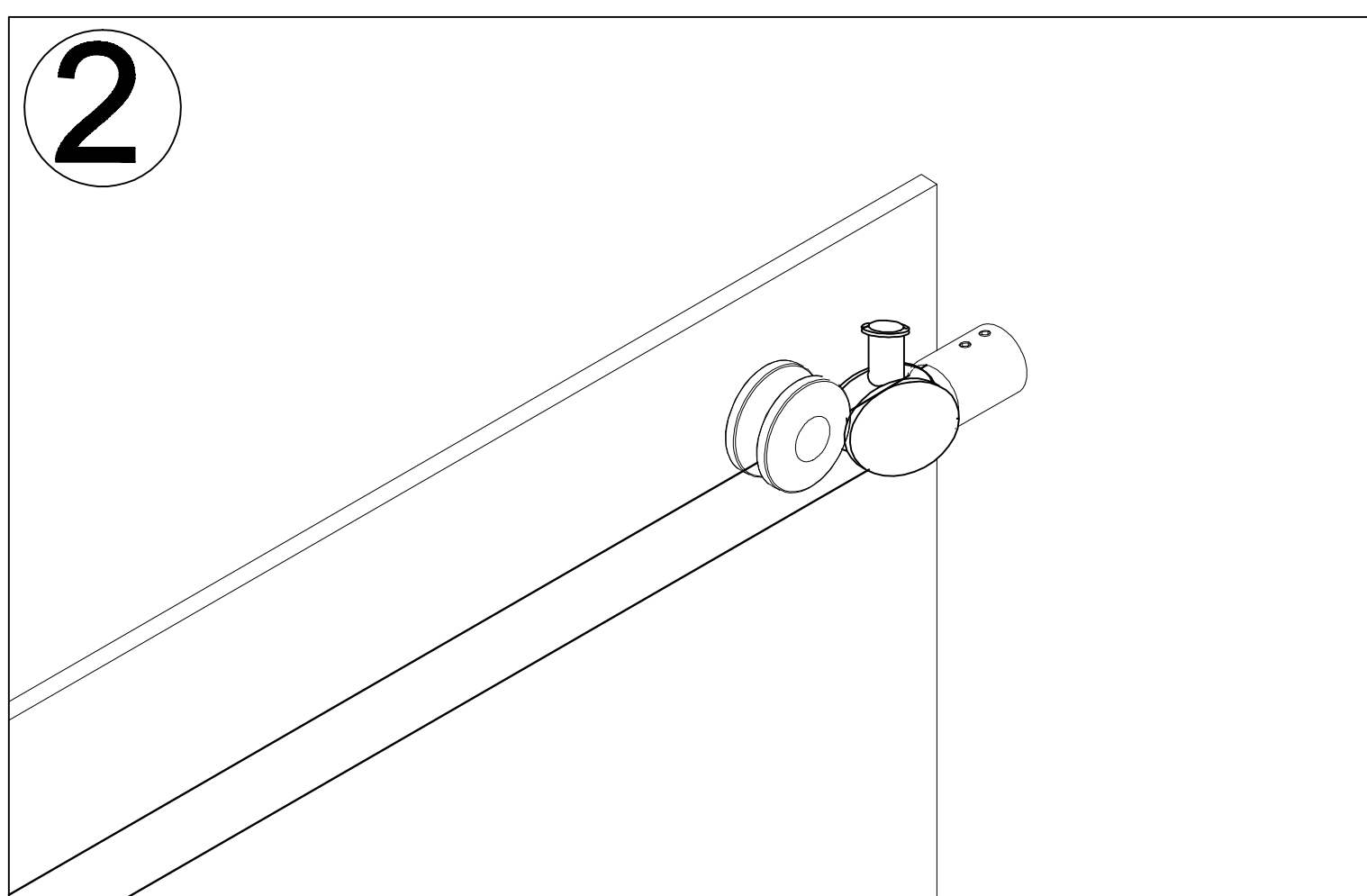
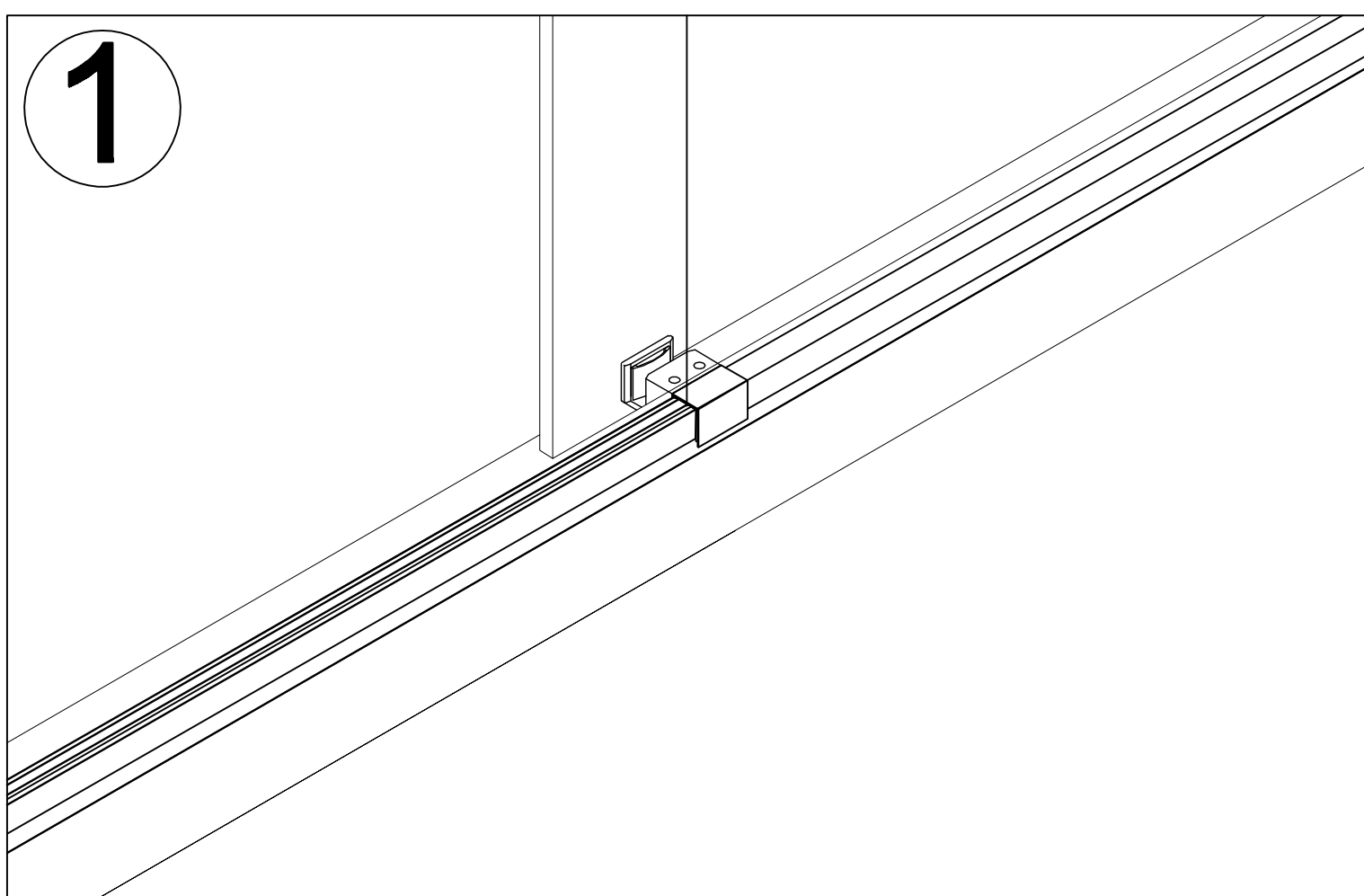
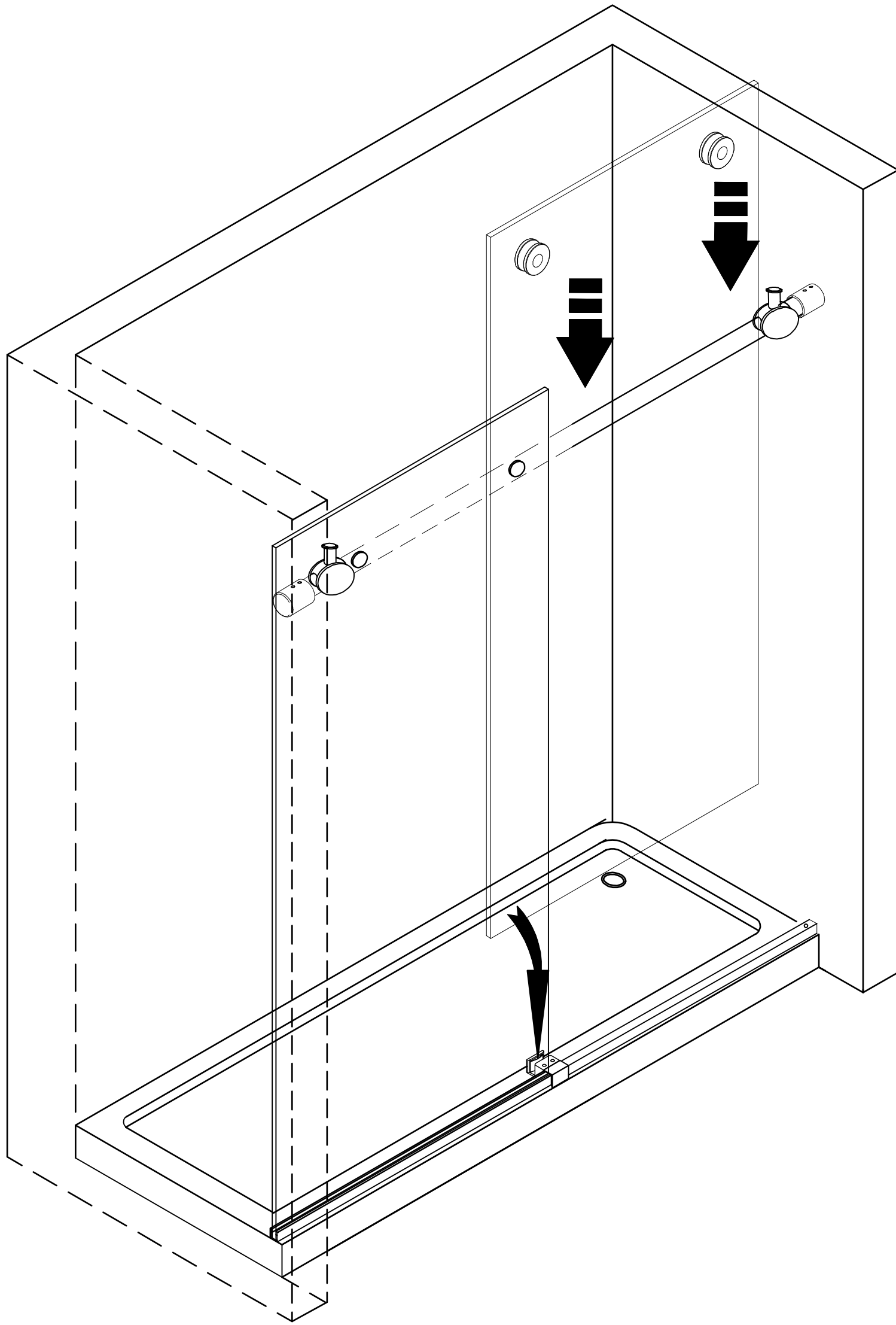


Left Hand Assembly

STEP 12

1. Make sure the bottom of the movable door(6) inserts onto the Door Guide(10).

2. Hang the movable door(6) onto the Top Rail(18).

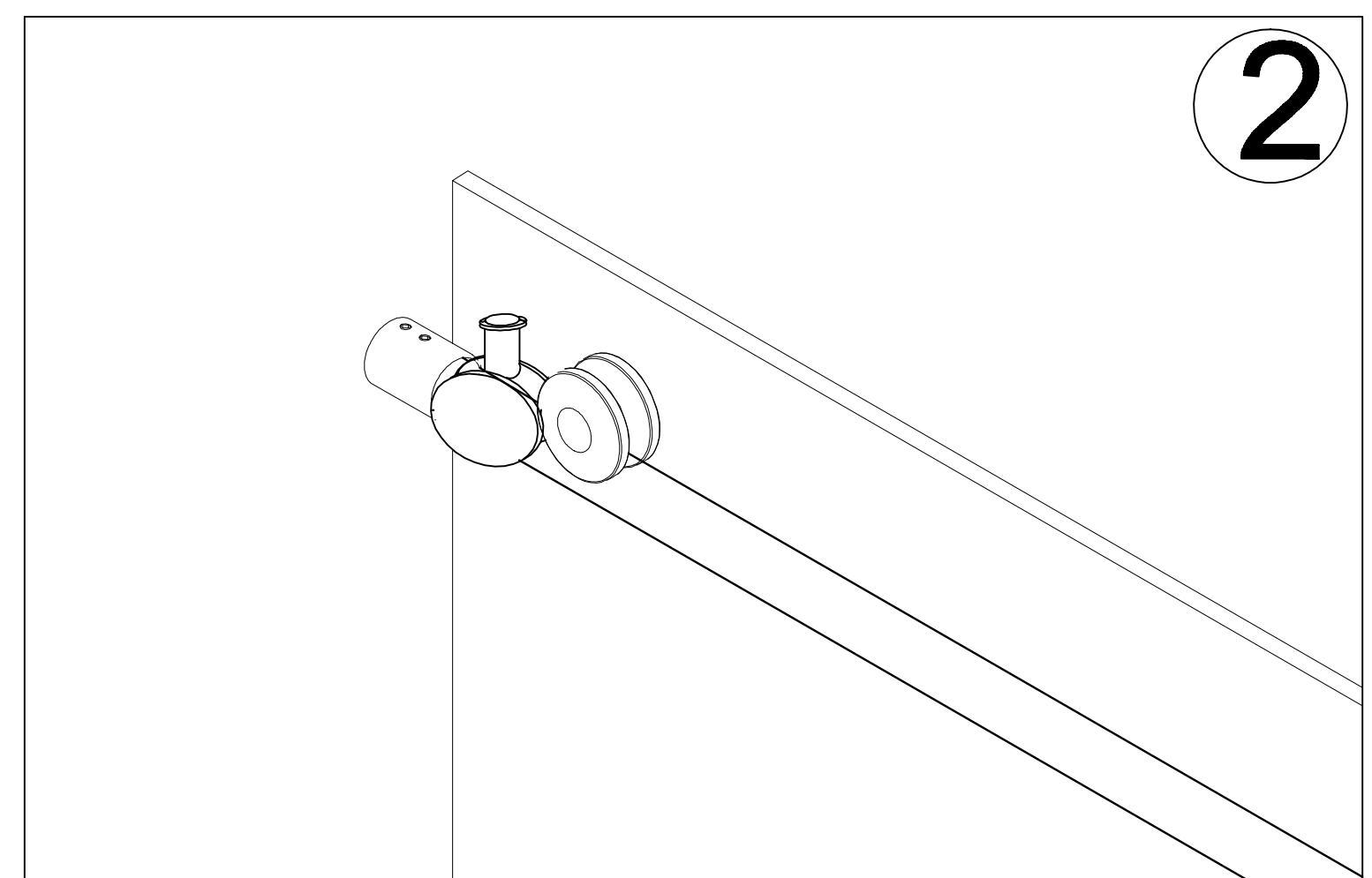
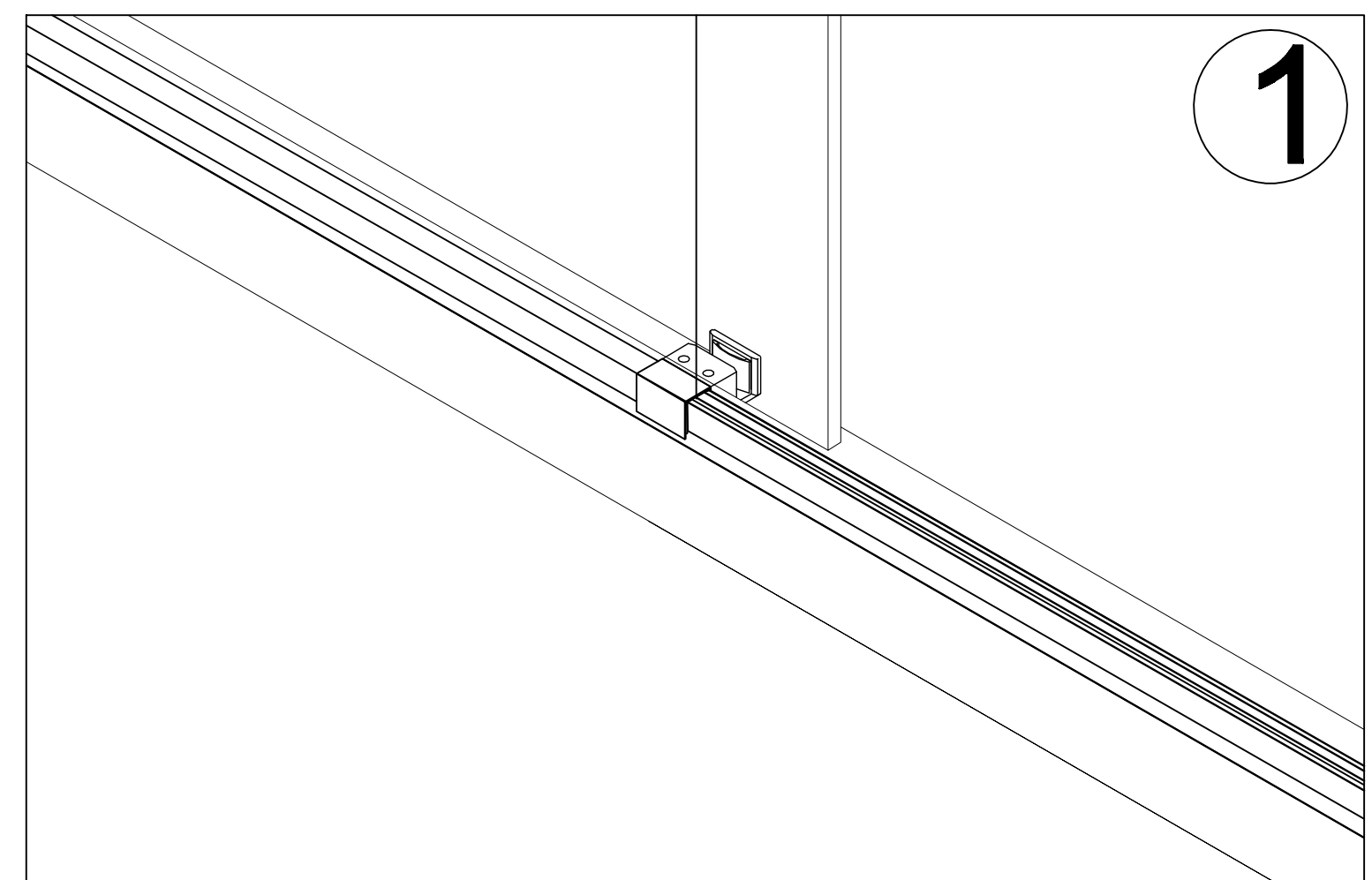
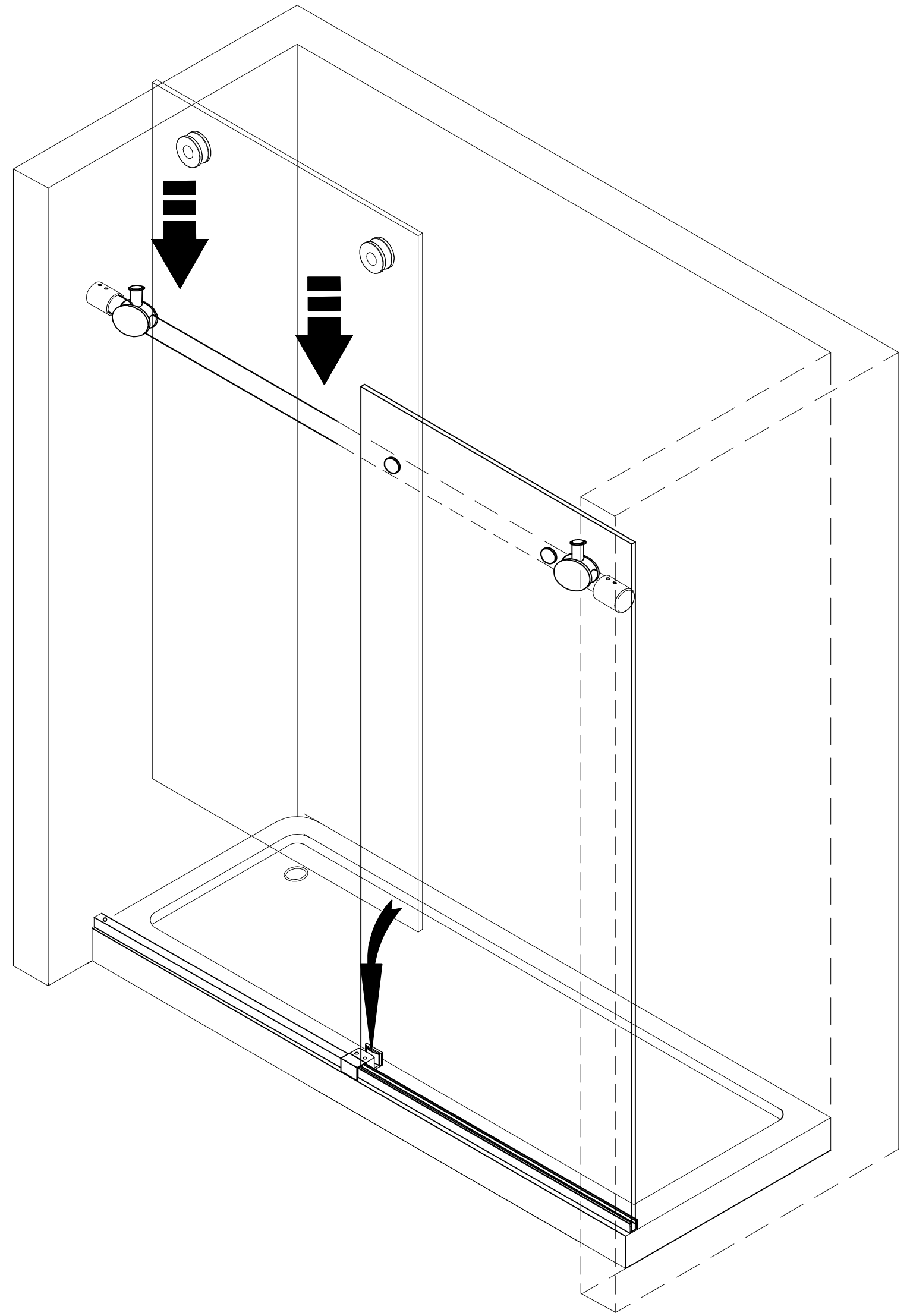


Right Hand Assembly

STEP 12

1. Make sure the bottom of the movable door(6) inserts onto the Door Guide(10).

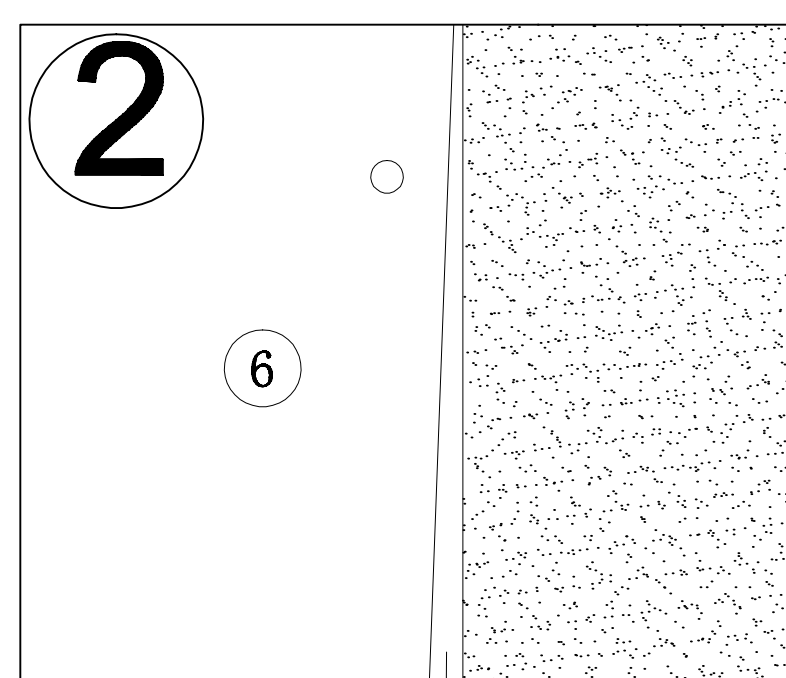
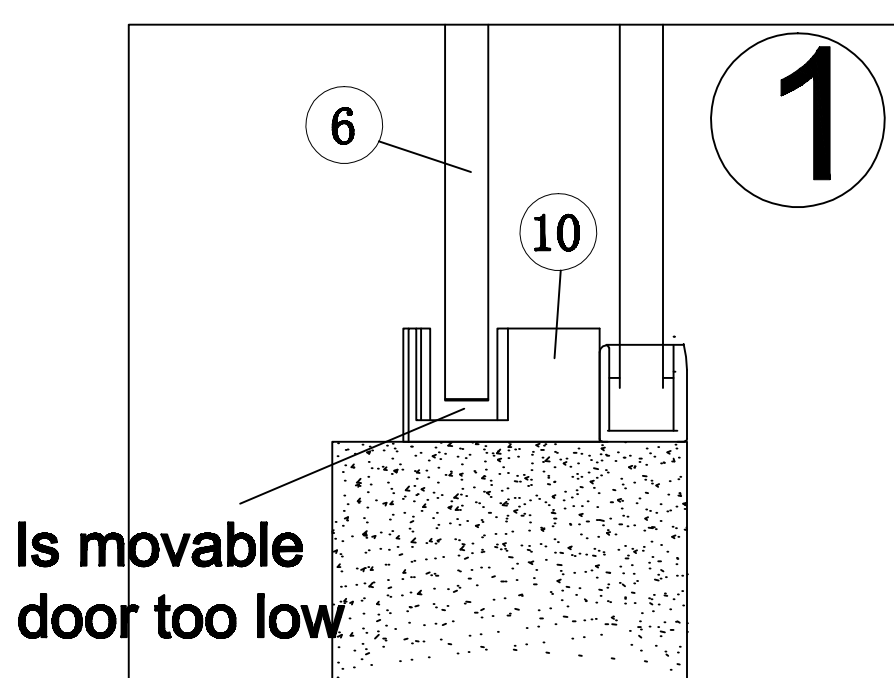
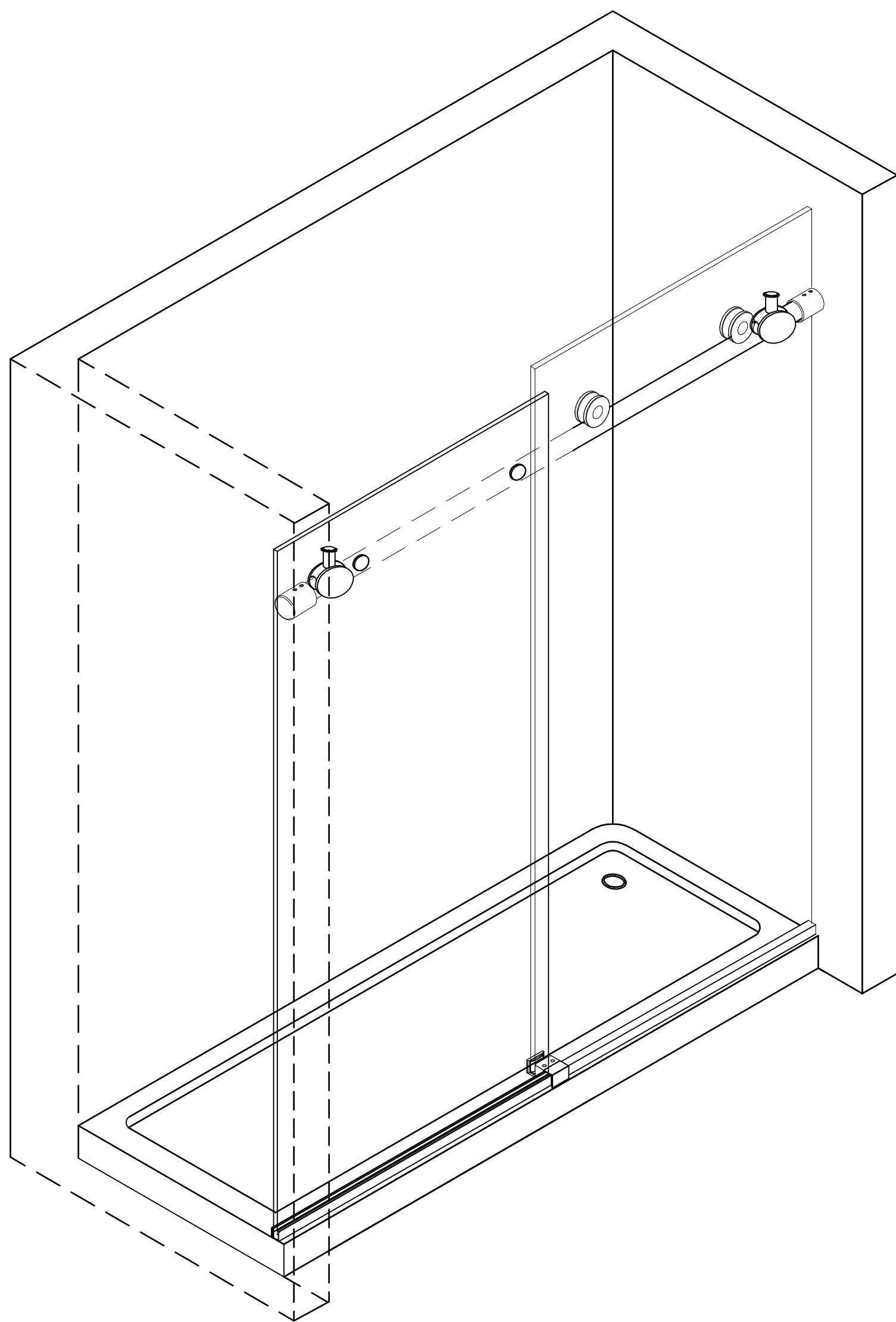
2. Hang the movable door(6) onto the Top Rail(18).



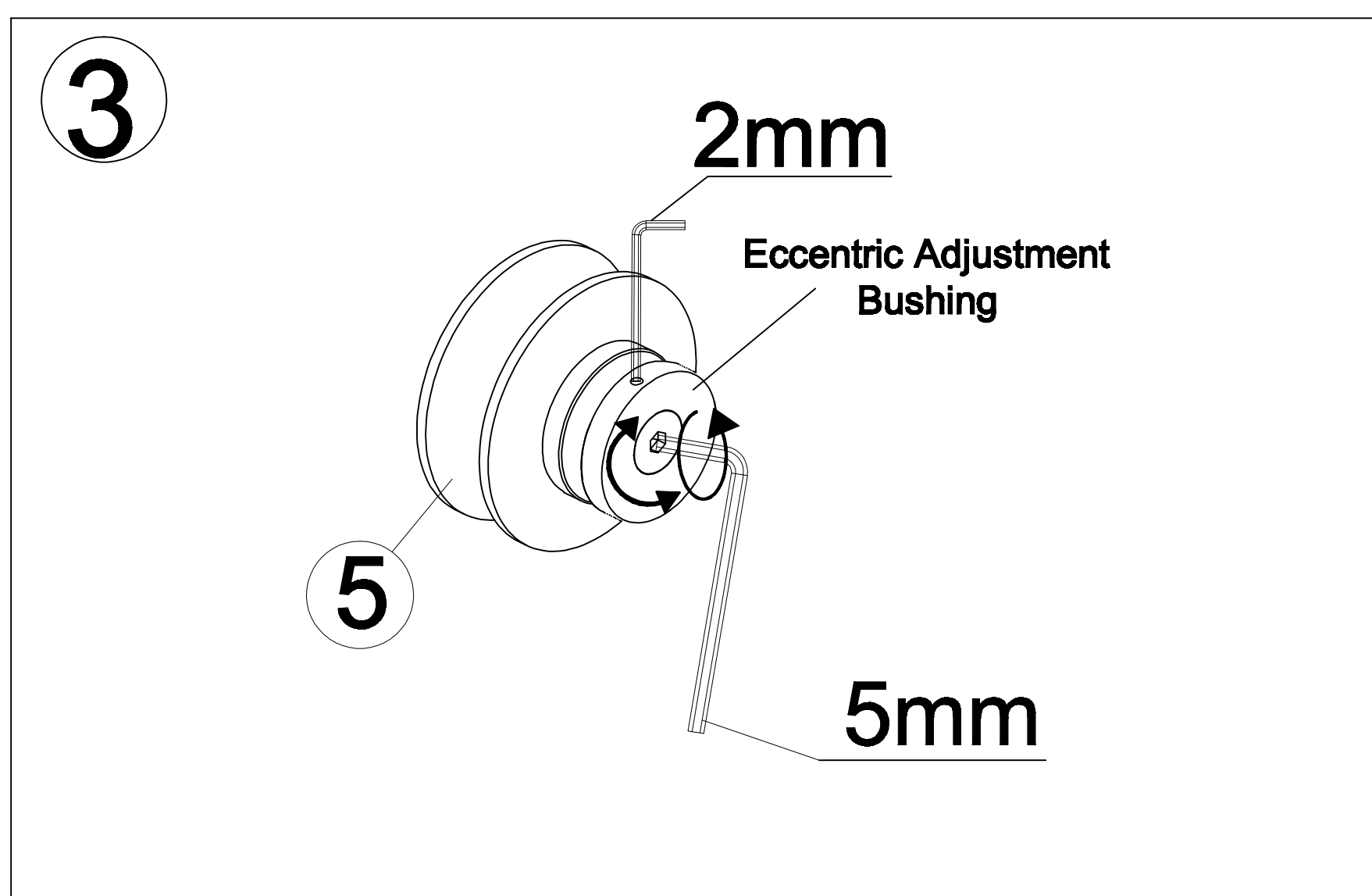
Left Hand Assembly

STEP 13

1. Try sliding the door to make sure it slides smoothly without having it set too low.
2. Push the door to the wall and make sure it's parallel with wall.
3. Adjust the roller(5). Loose the roller screw(not fully loosed) with 5mm Allen wrench, then adjust door height by tuning its bias adjustment hole with 2mm Allen wrench.



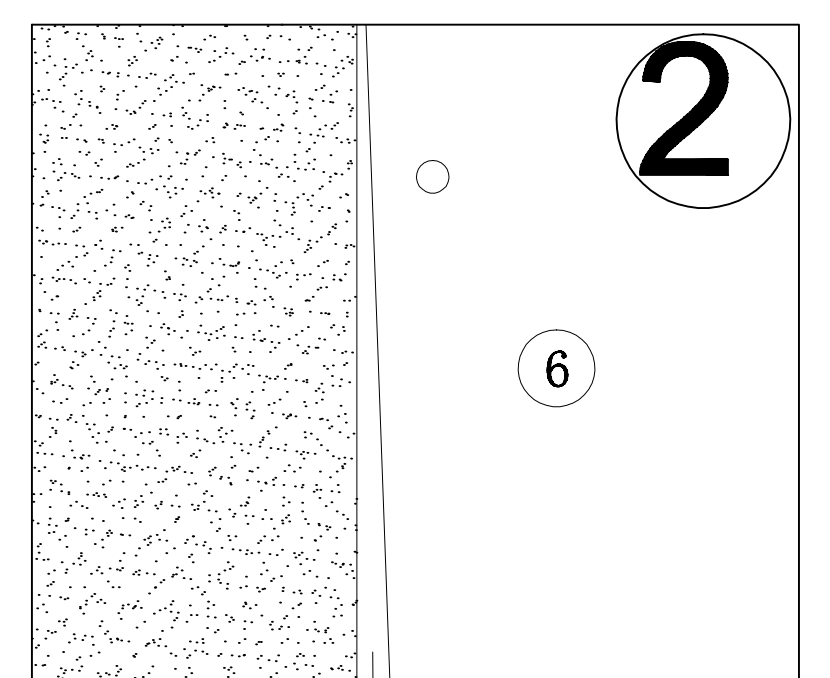
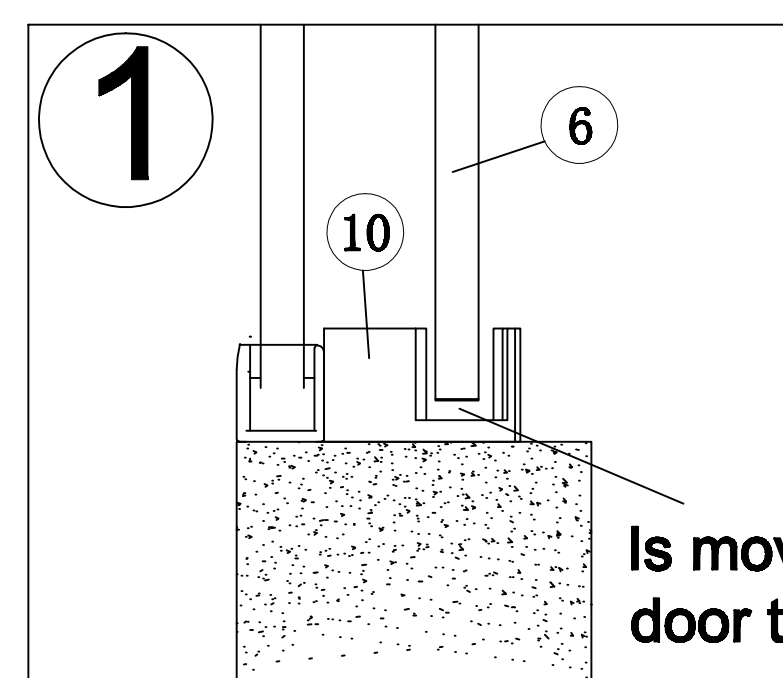
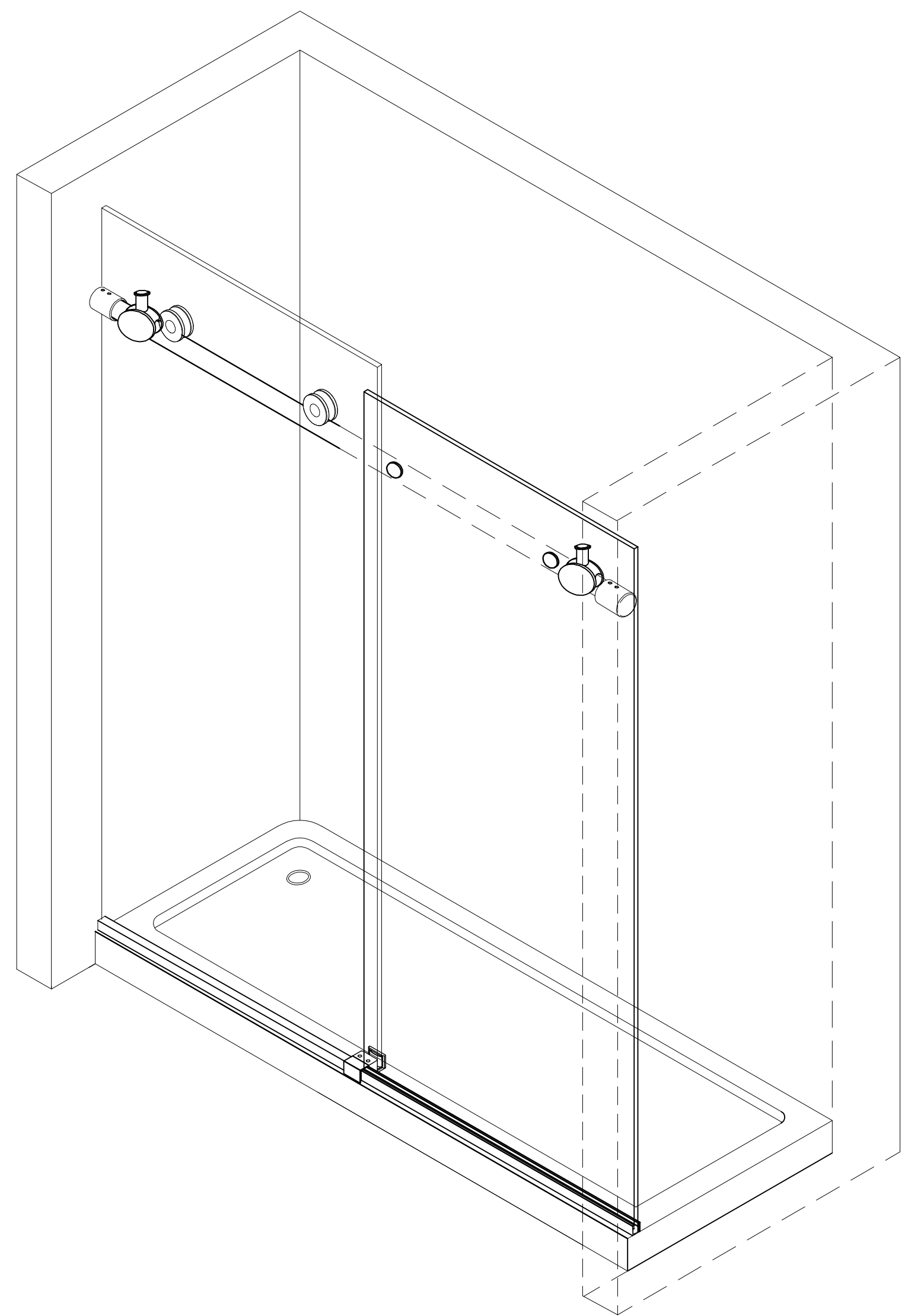
Wall is not straight



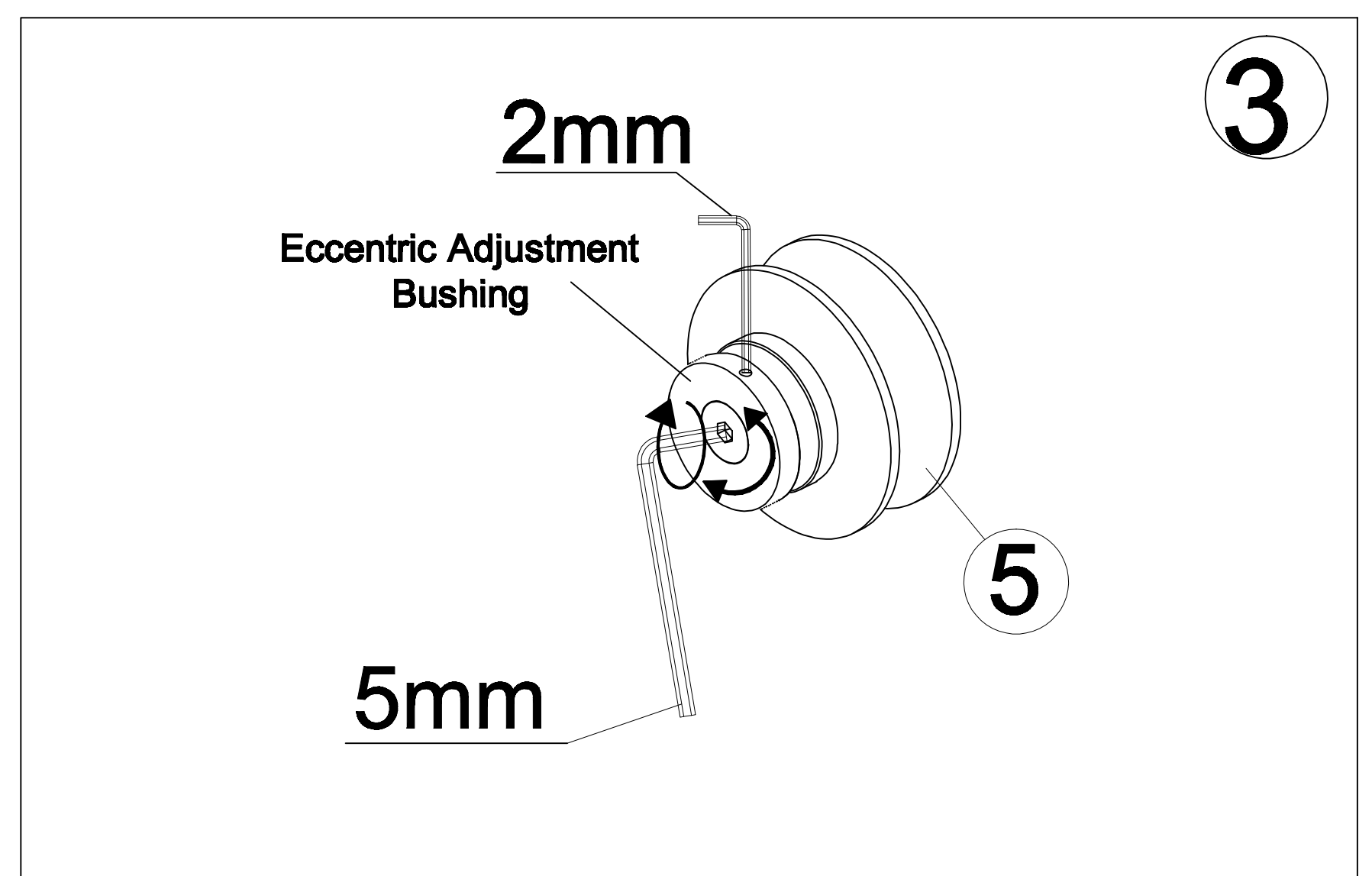
Right Hand Assembly

STEP 13

1. Try sliding the door to make sure it slides smoothly without having it set too low.
2. Push the door to the wall and make sure it's parallel with wall.
3. Adjust the roller(5). Loose the roller screw(not fully loosed) with 5mm Allen wrench, then adjust door height by tuning its bias adjustment hole with 2mm Allen wrench.



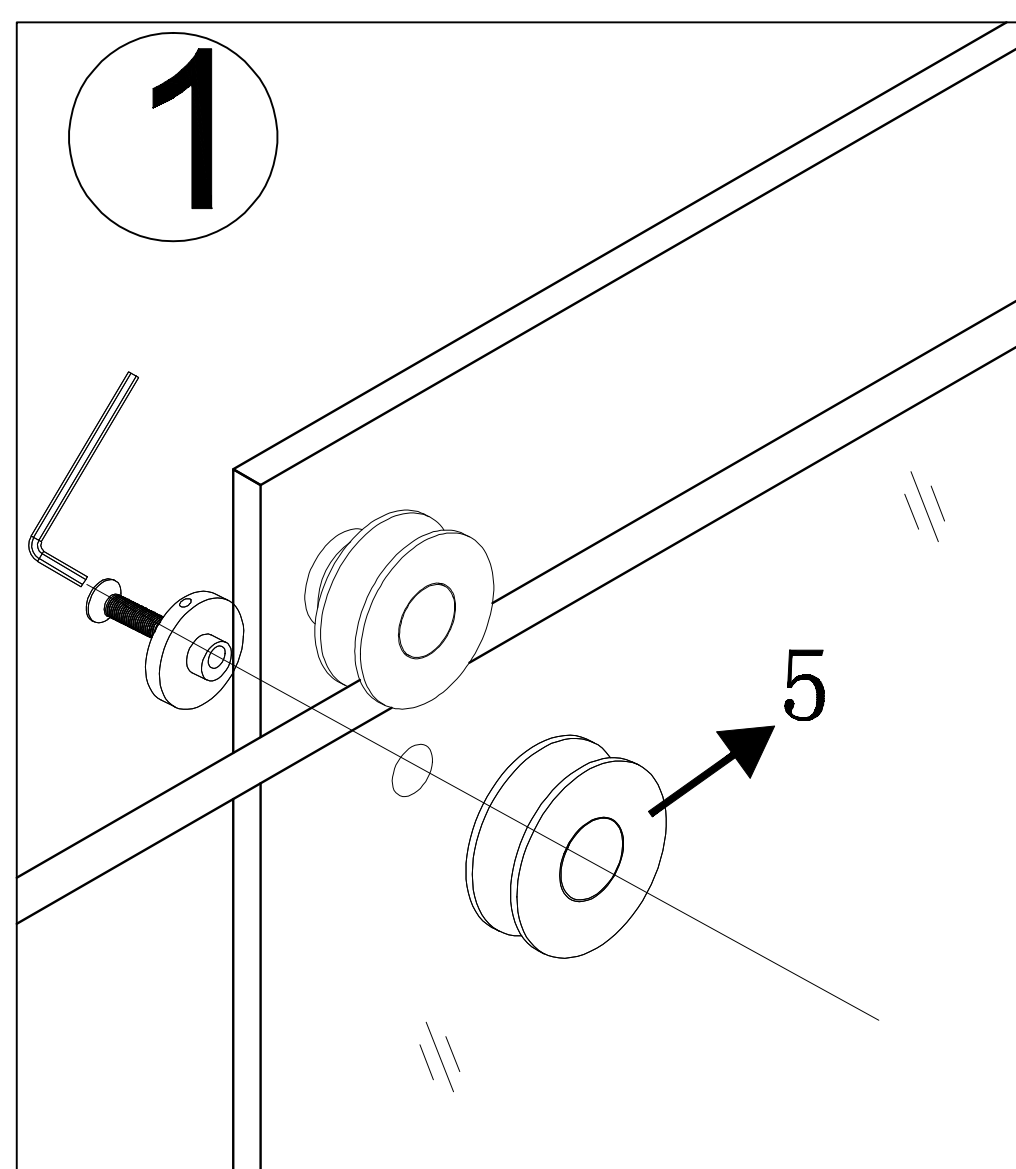
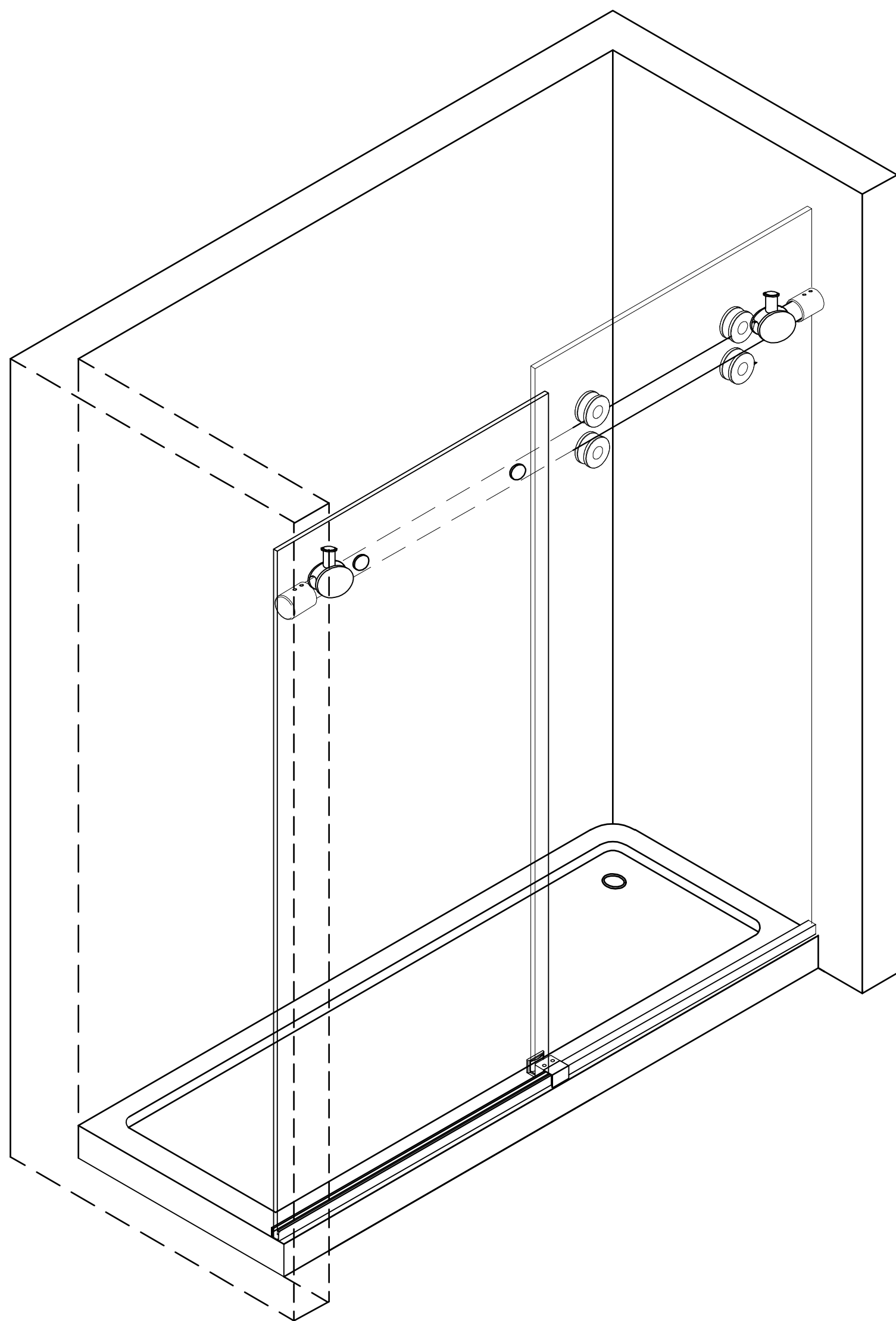
Wall is not straight



Left Hand Assembly

STEP 14

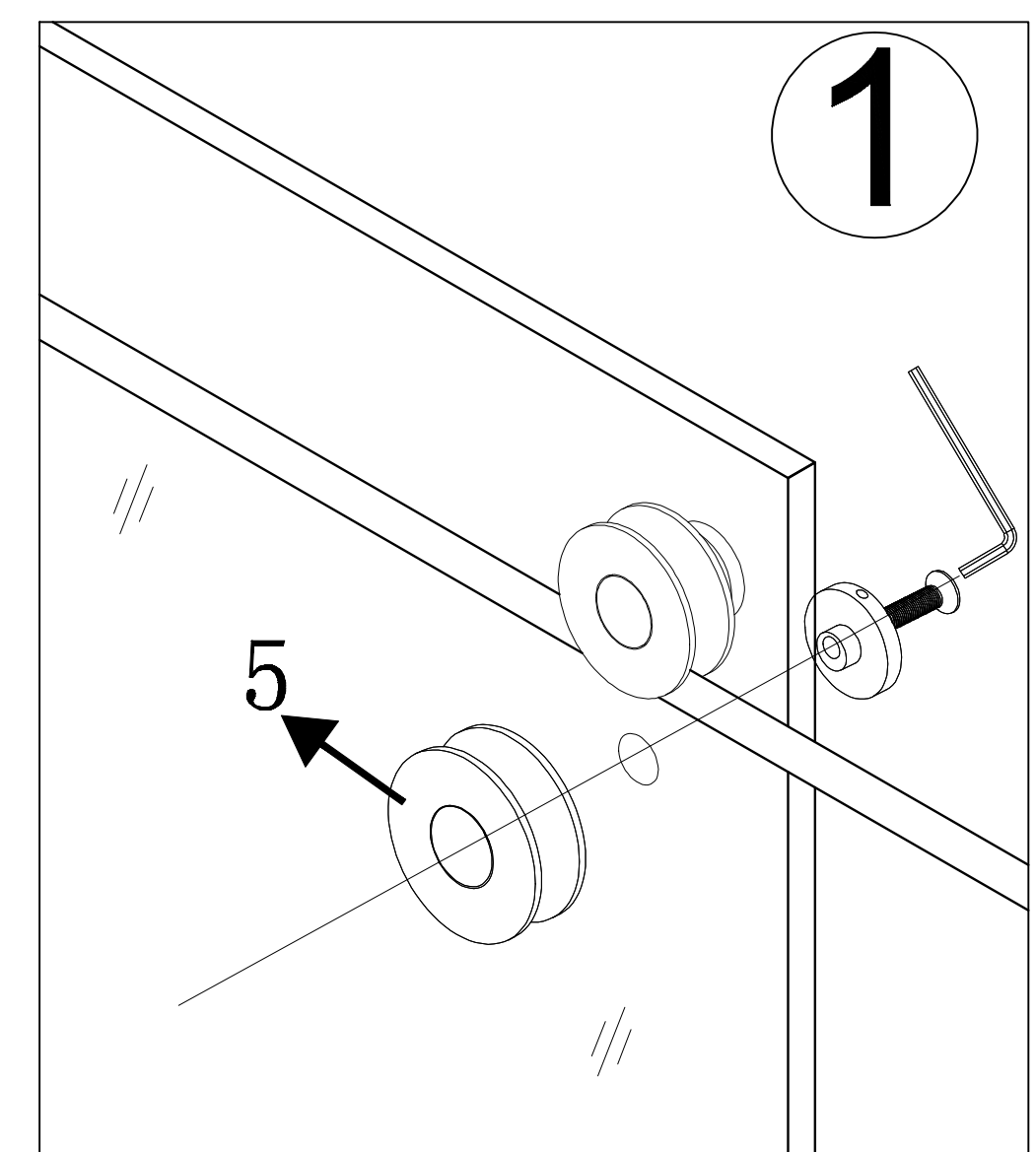
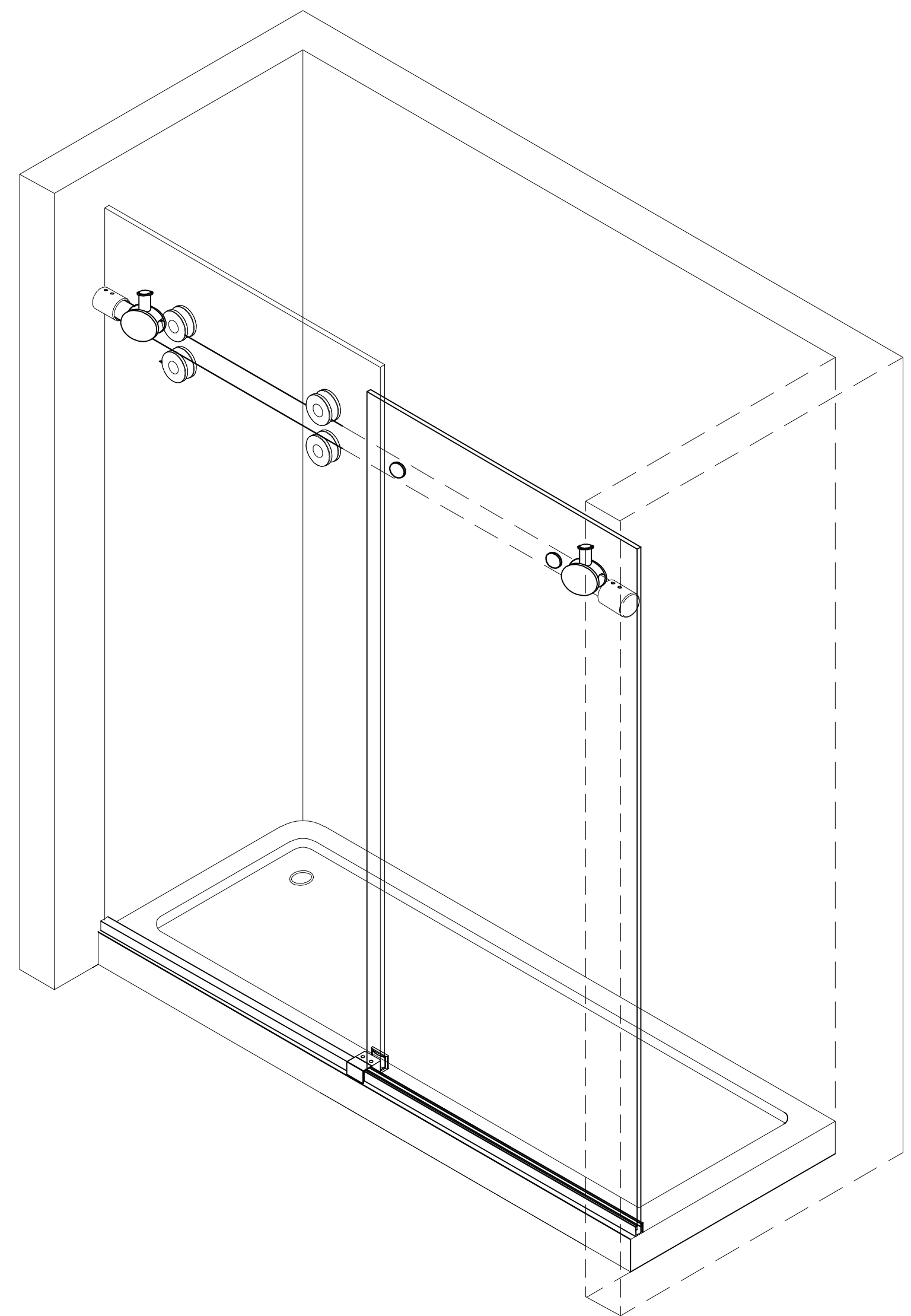
1. Install the other 2 rollers(5) onto movable door(6).
When install ,please let the down 2 rollers close the
top rail(18) .



Right Hand Assembly

STEP 14

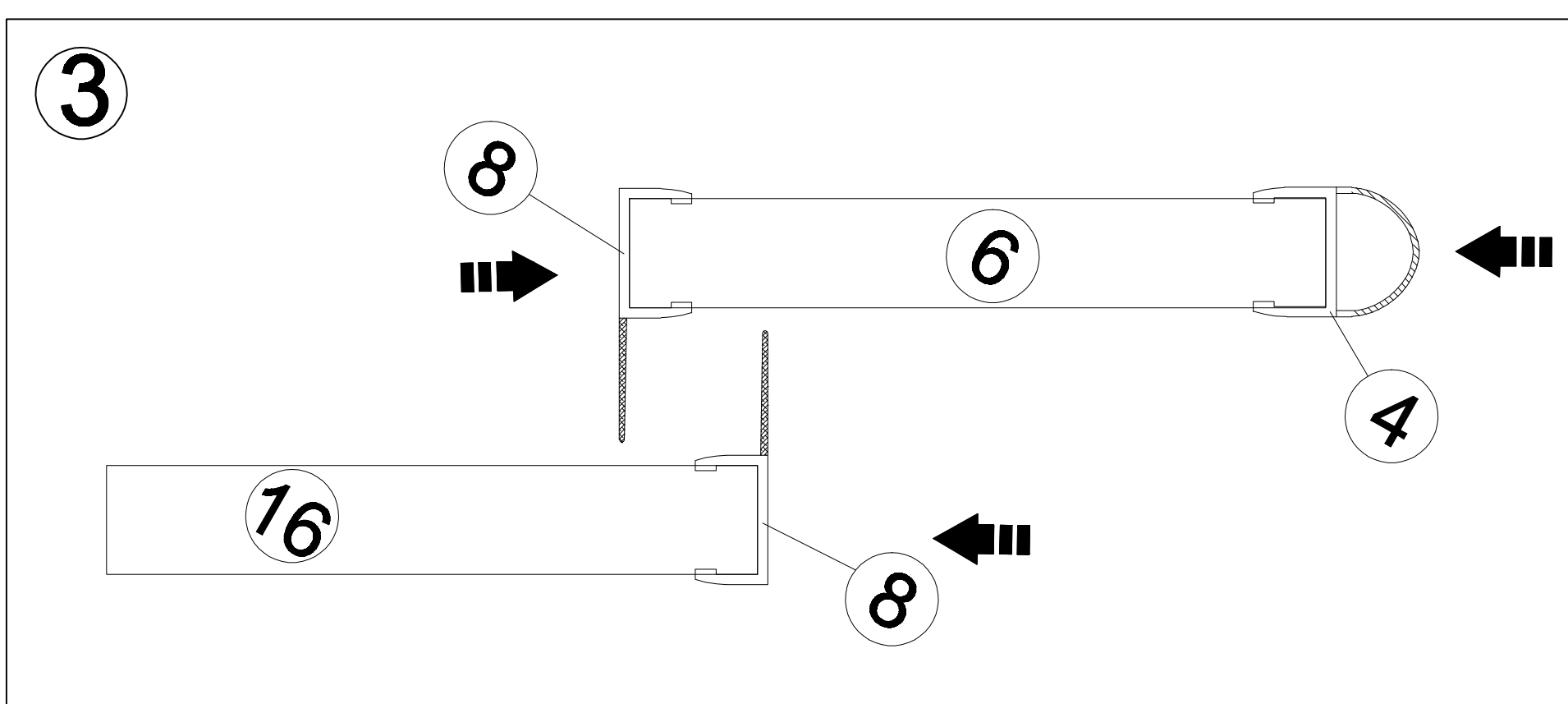
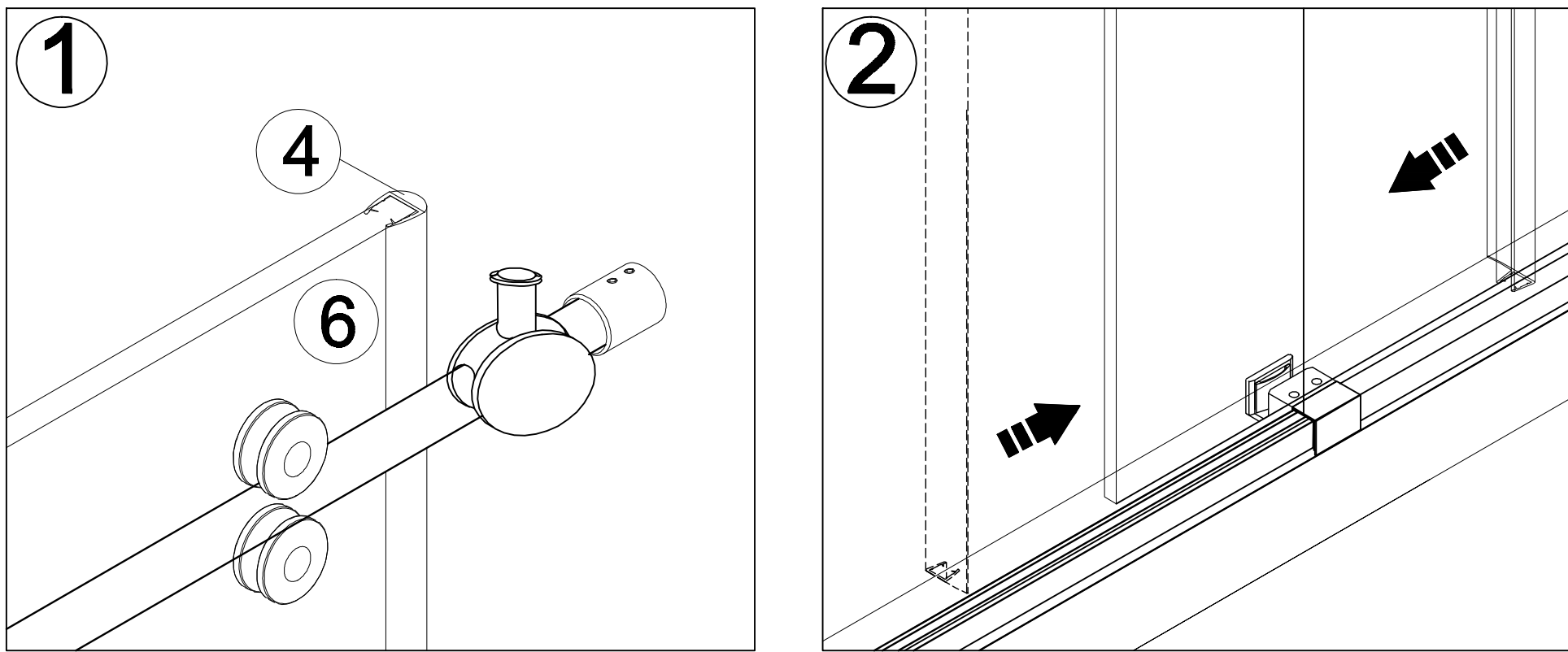
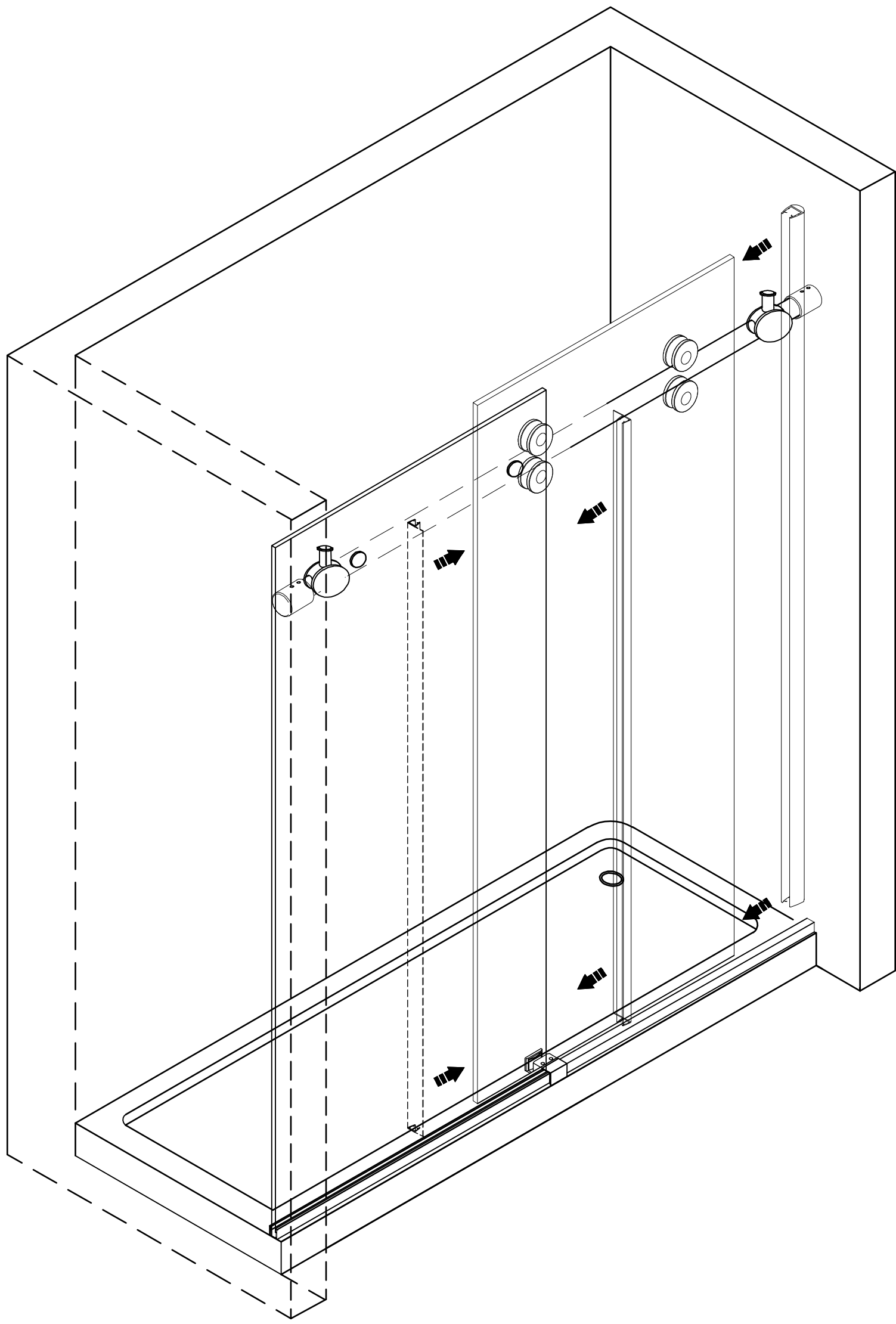
1. Install the other 2 rollers(5) onto movable door(6).
When install ,please let the down 2 rollers close the
top rail(18) .



Left Hand Assembly

STEP 15

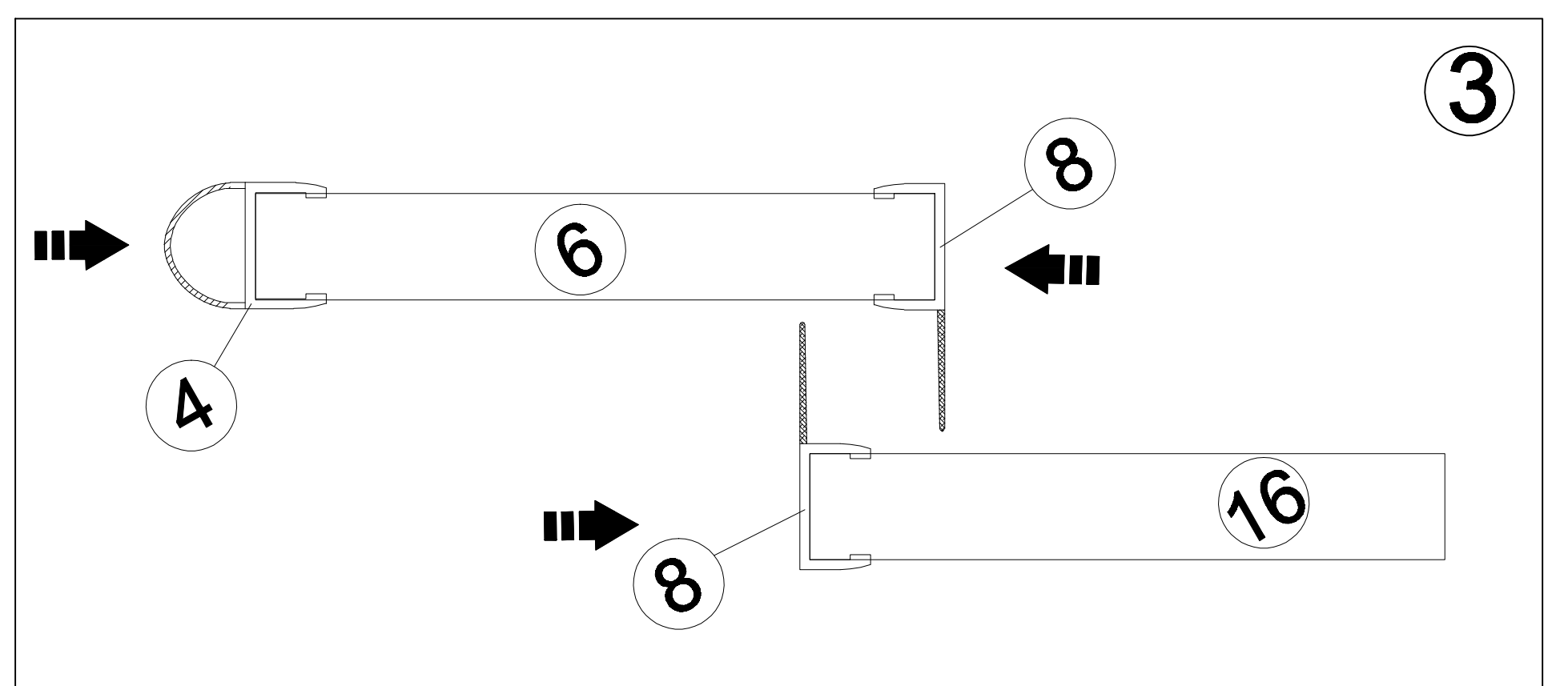
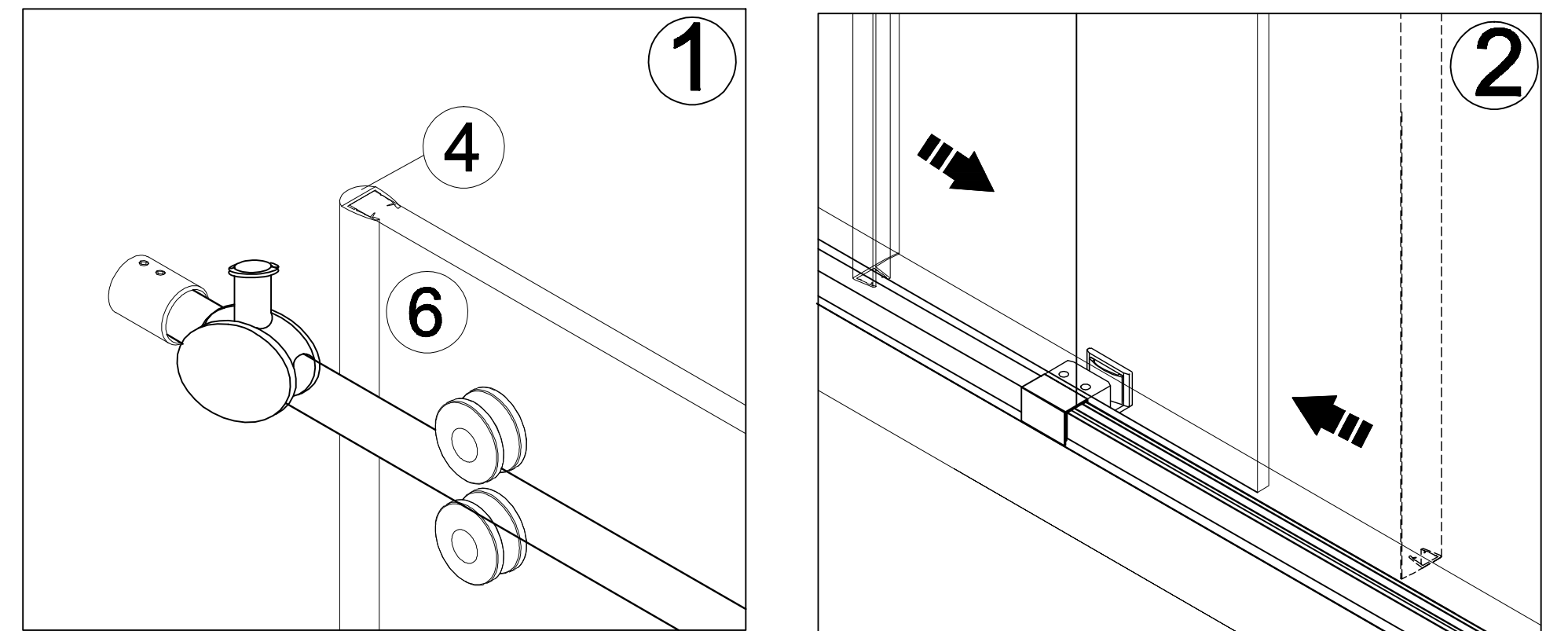
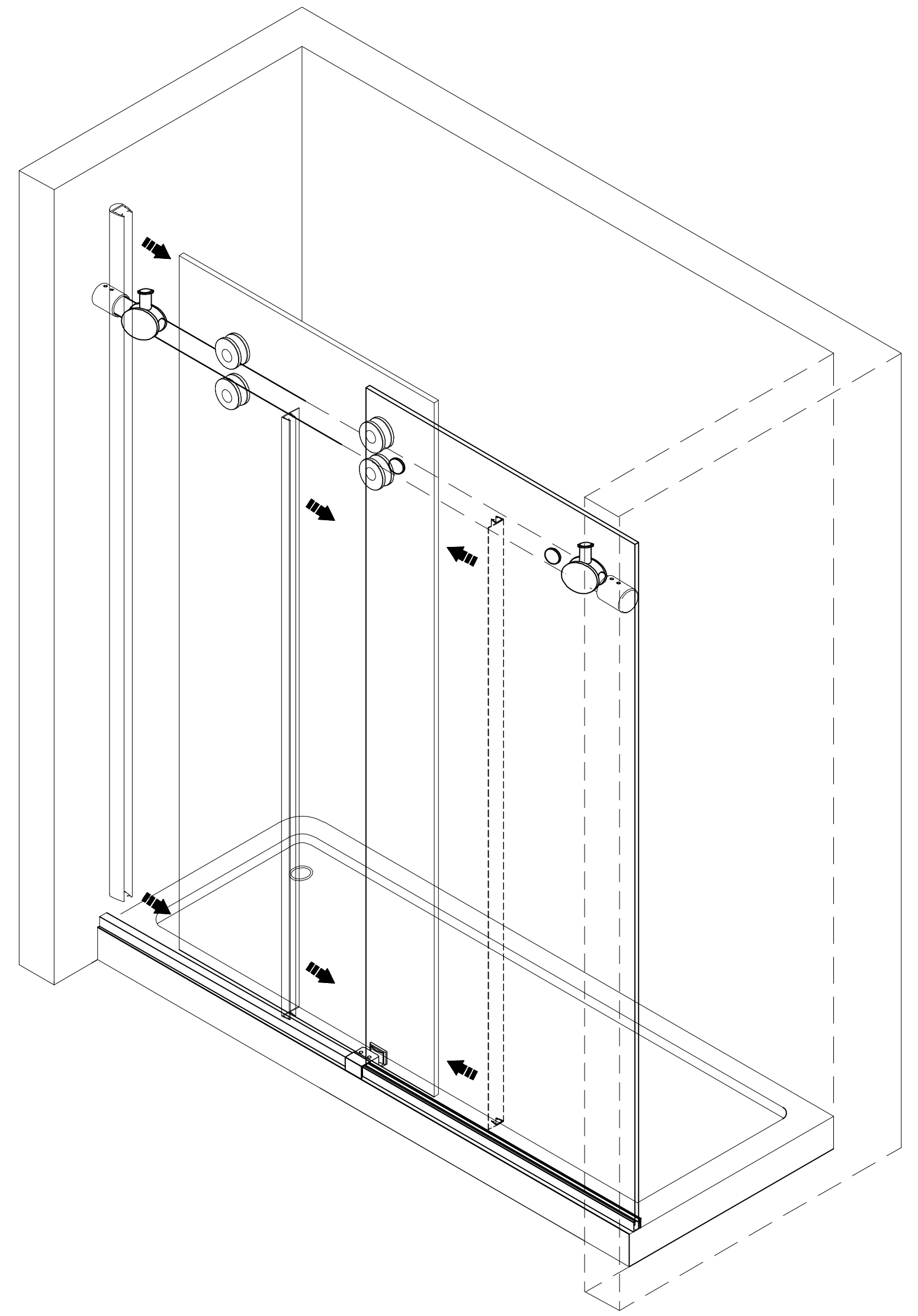
1. Assemble bumper strip(4) to wall-side movable door(6).
2. Assemble water-retaining gaskets(8) one each to movable door(6) and fixed panel(16).



Right Hand Assembly

STEP 15

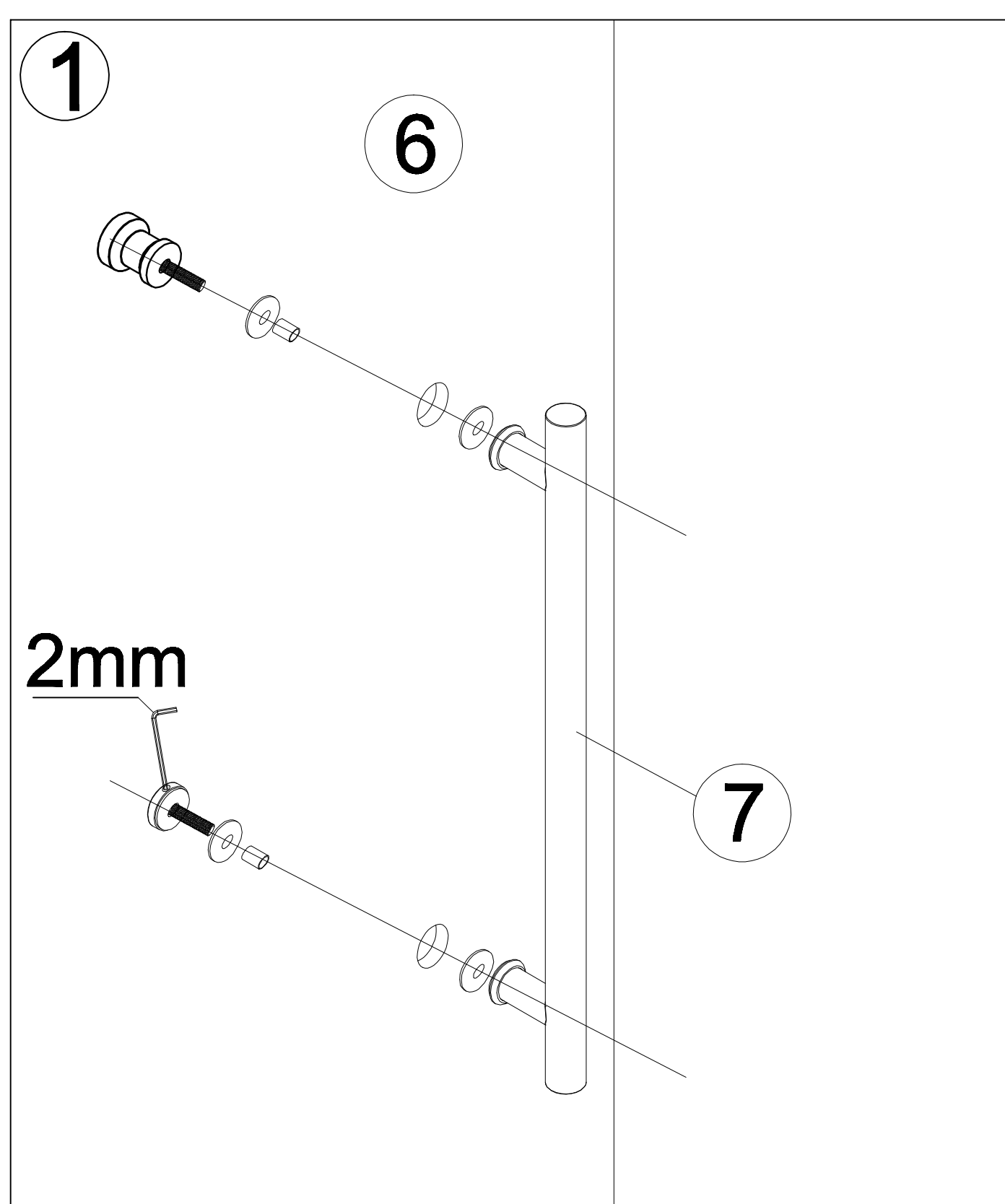
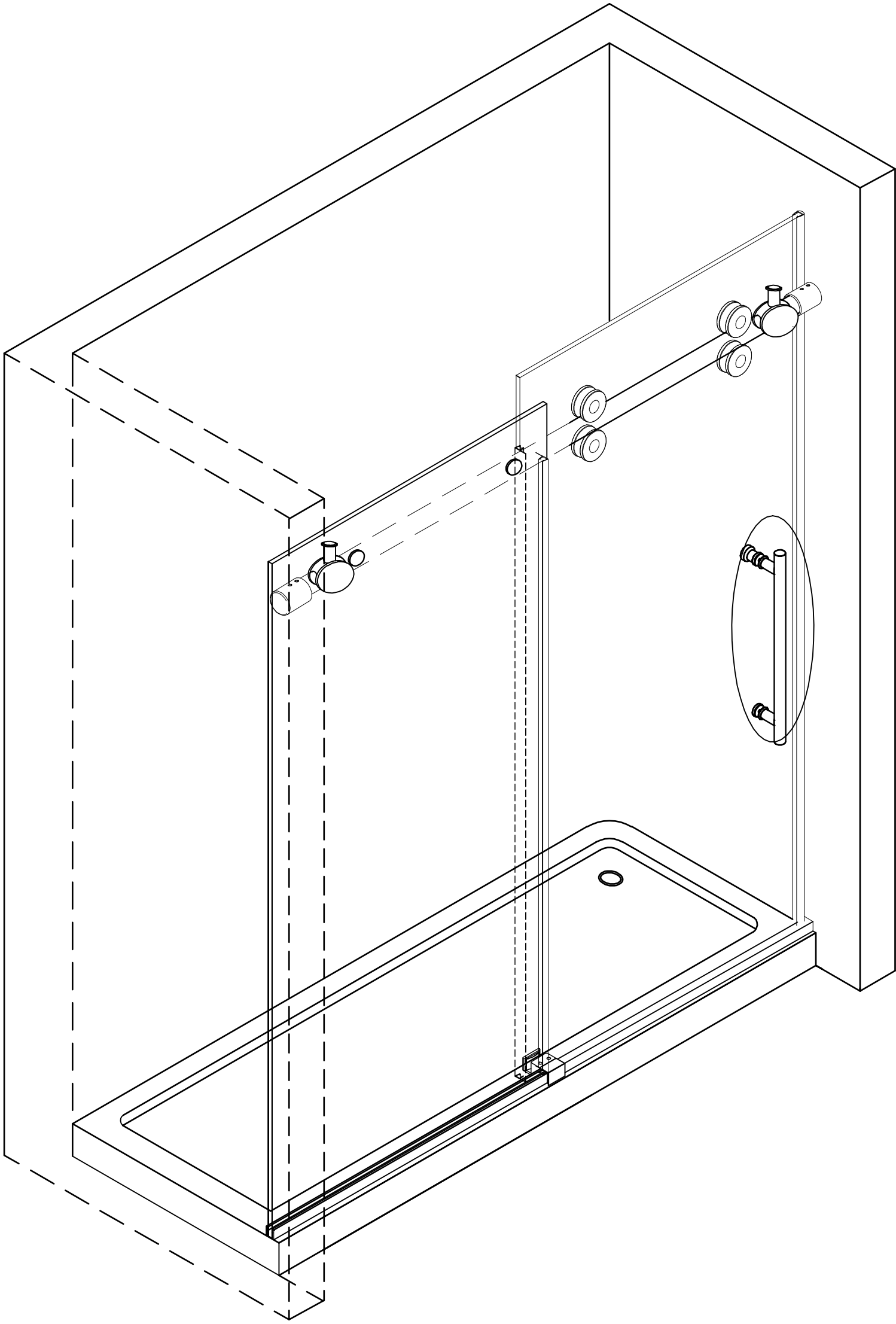
1. Assemble bumper strip(4) to wall-side movable door(6).
2. Assemble water-retaining gaskets(8) one each to movable door(6) and fixed panel(16).



Left Hand Assembly

STEP 16

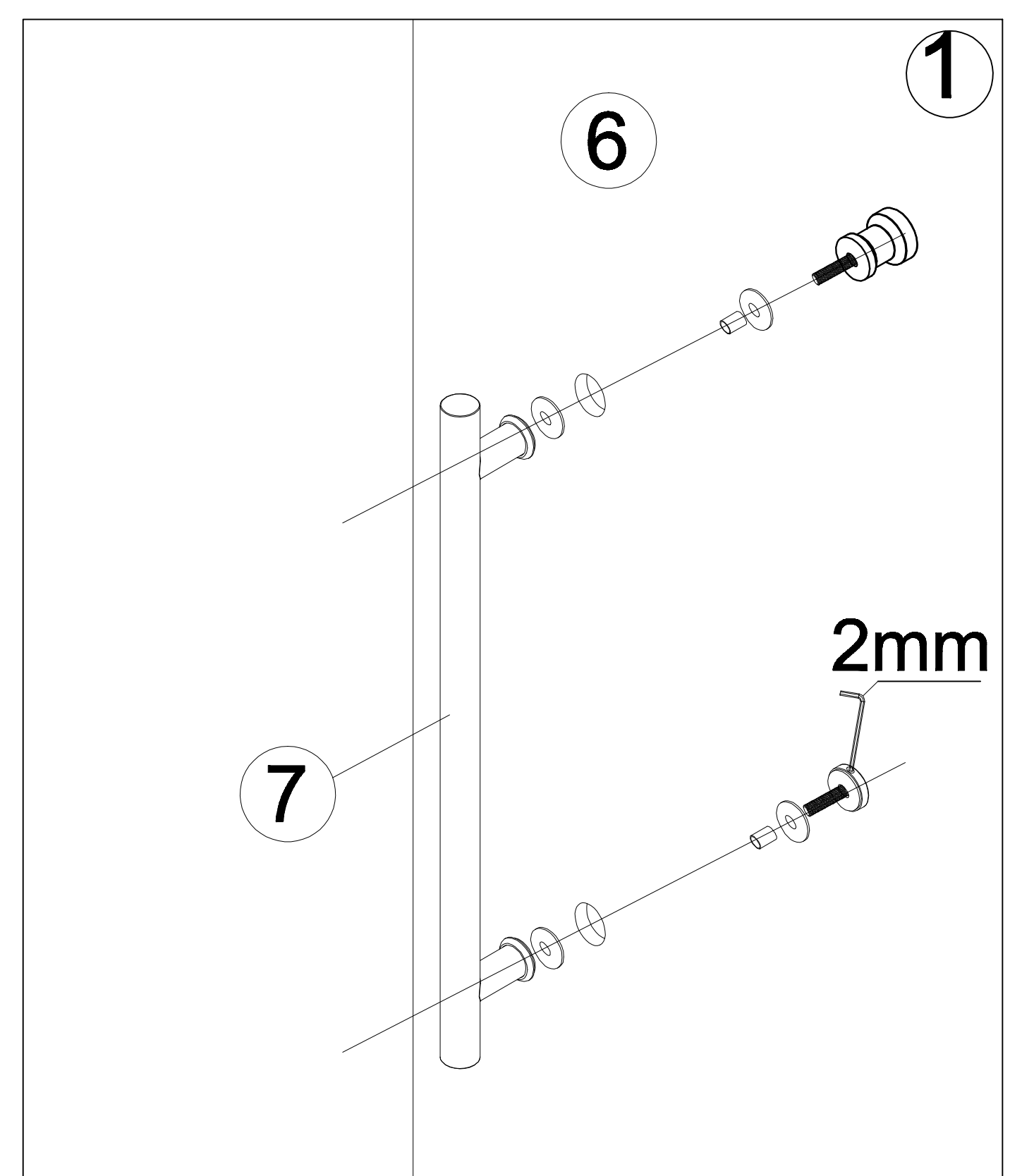
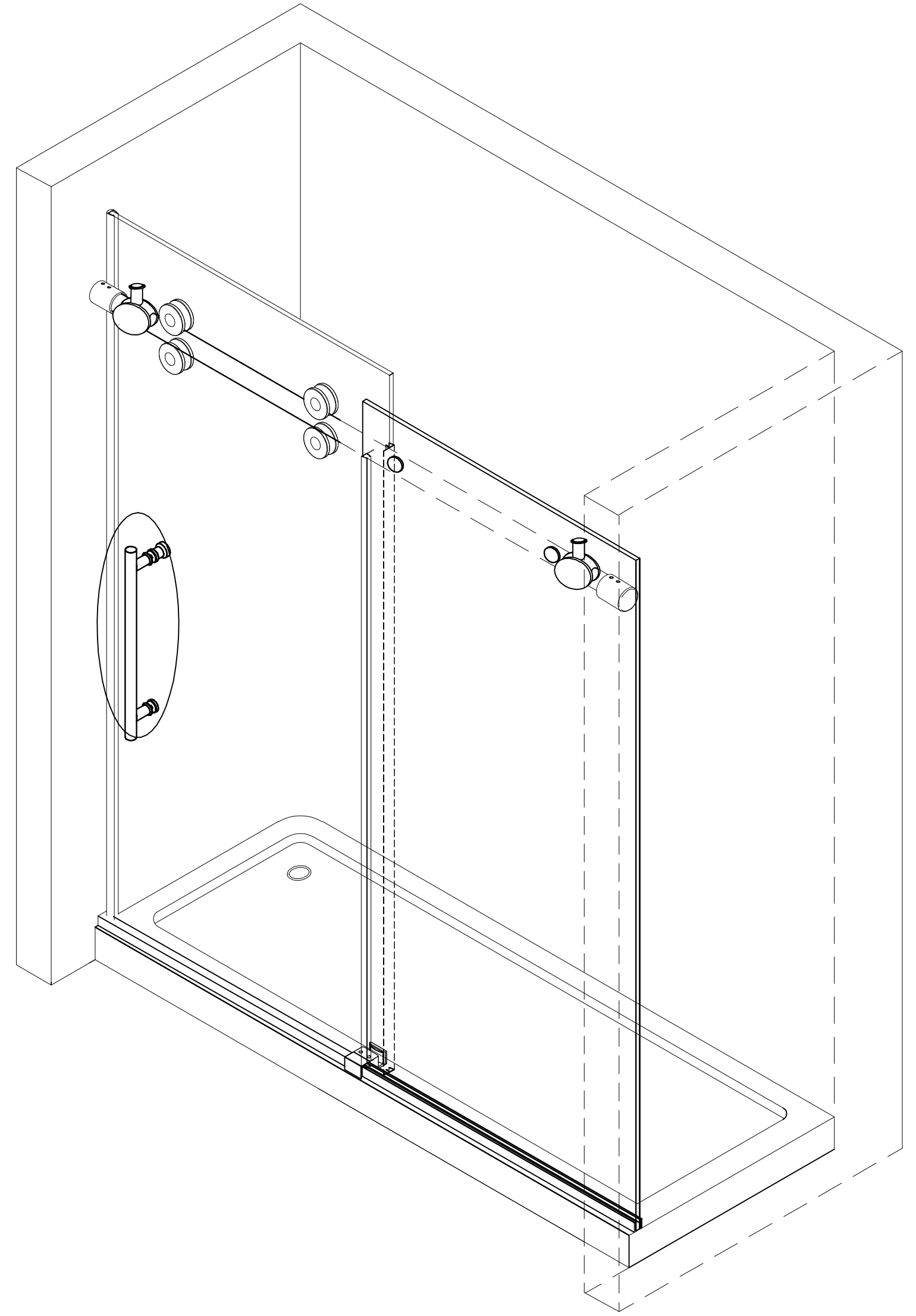
1. Install the Handle (7) onto the movable door (6) by unscrewing the screws that are attached to the door handle and reinserting through the panel back into the handle. Tighten with the 2mm Allen Wrench.



Right Hand Assembly

STEP 16

1. Install the Handle (7) onto the movable door (6) by unscrewing the screws that are attached to the door handle and reinserting through the panel back into the handle. Tighten with the 2mm Allen Wrench.

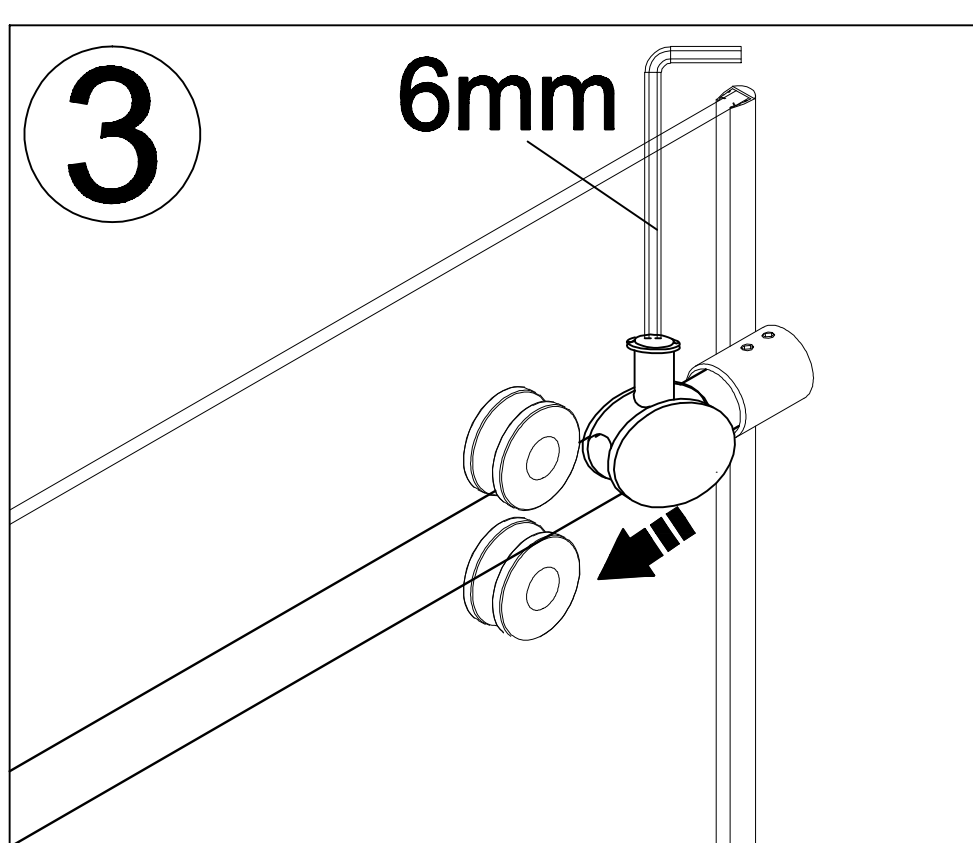
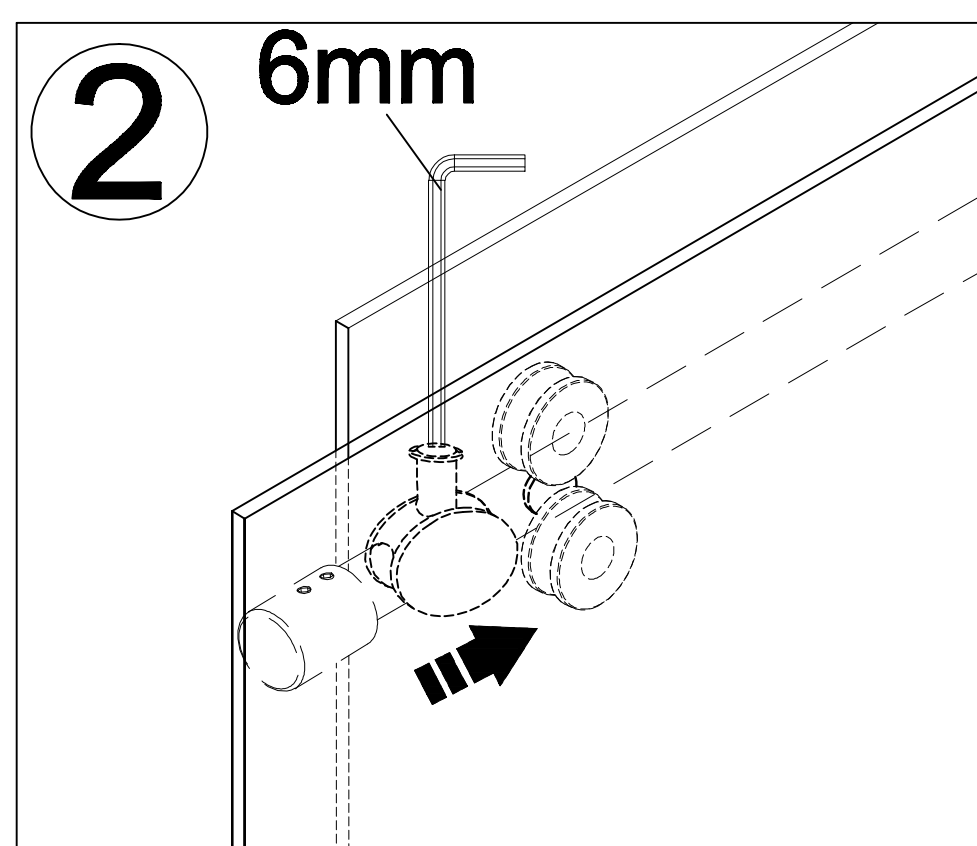
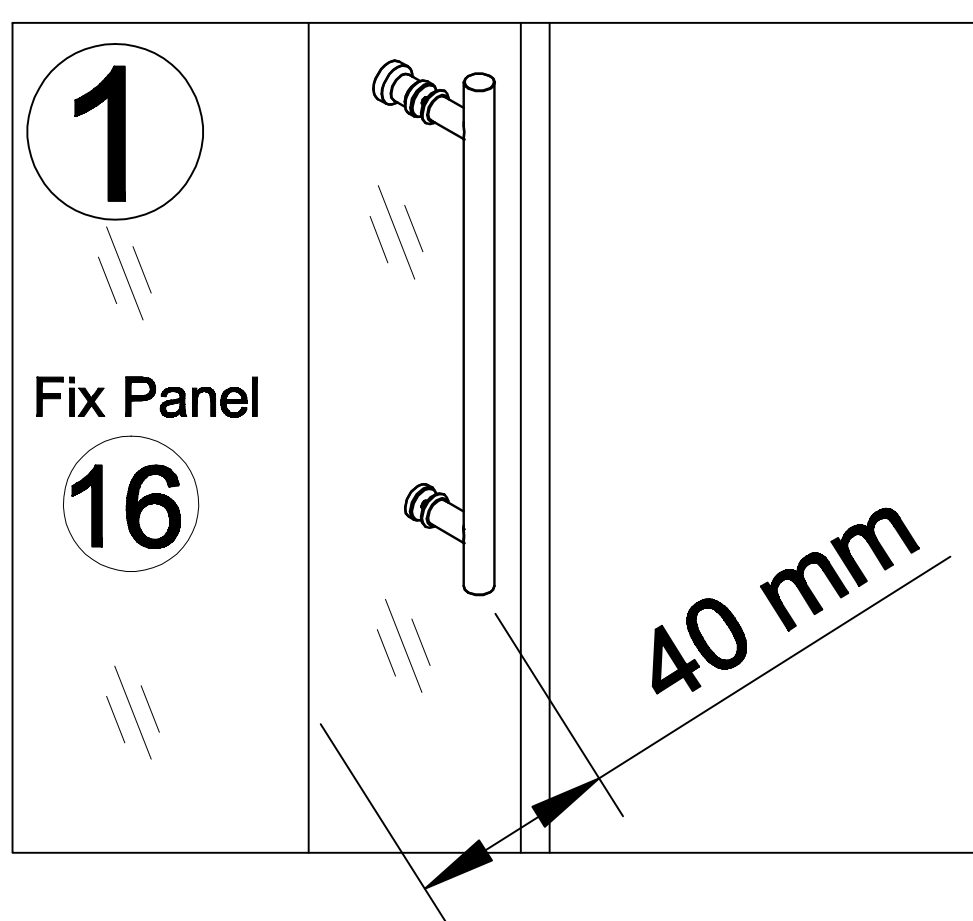
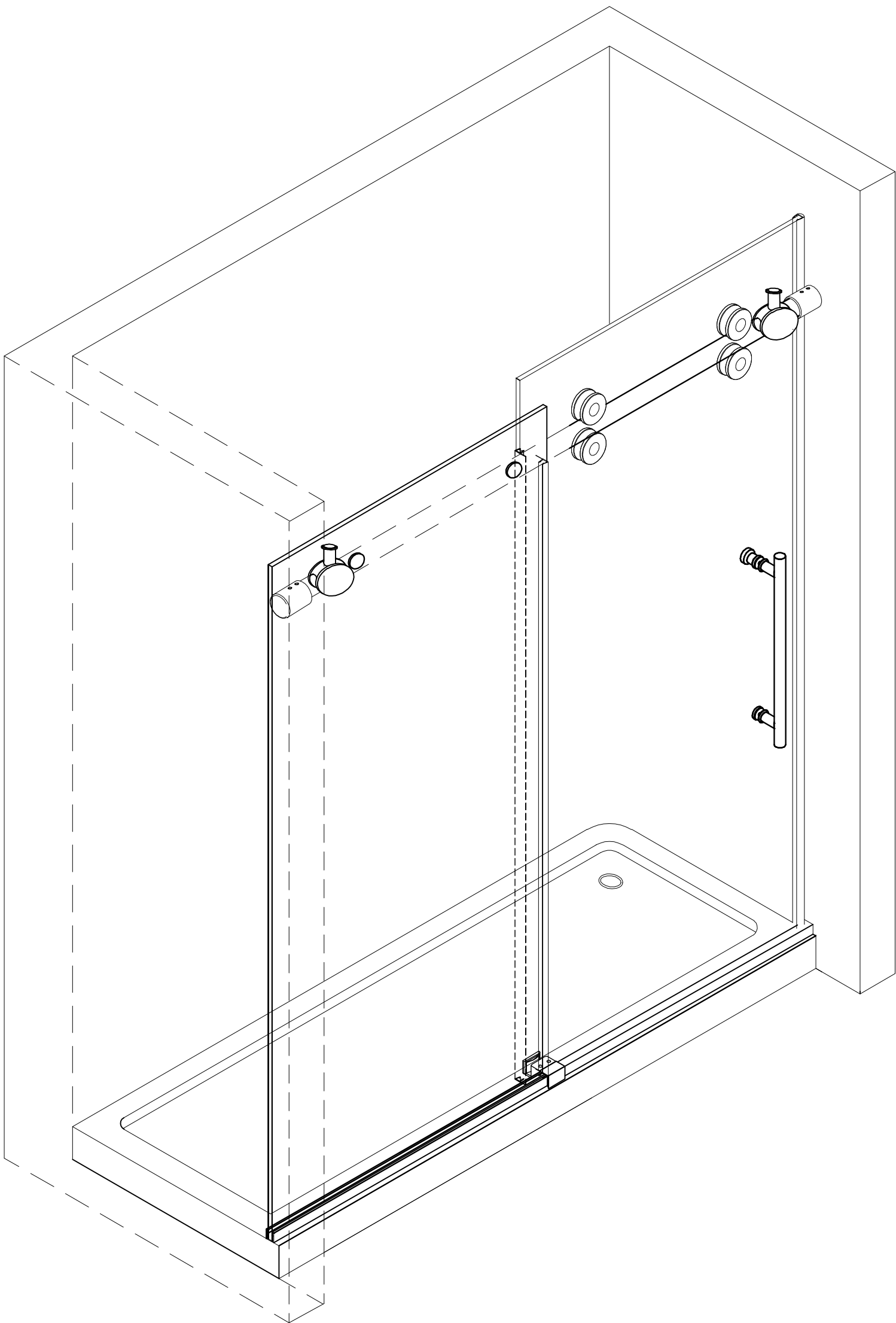


Left Hand Assembly

STEP 17

1. Push movable door(6) towards left and stops it until 40mm distance from handle(7) to edge of fix panel(16).
2. Loose the screw of door stopper(3) at fixed panel(16) side and move it until it's side by the roller, re-secure the door stopper(3).
3. Push movable door(6) towards right until bumper strip(4) hits wall, loose the screw of door stopper(3) and move it until it's side by the roller, re-secure the door stopper(3).

Reminder: Make sure door stopper(3) screws are secured tight and ensure it functions well to avoid glass crashes or any potential harm to human body if it hits wall hard when the door opens or closes.

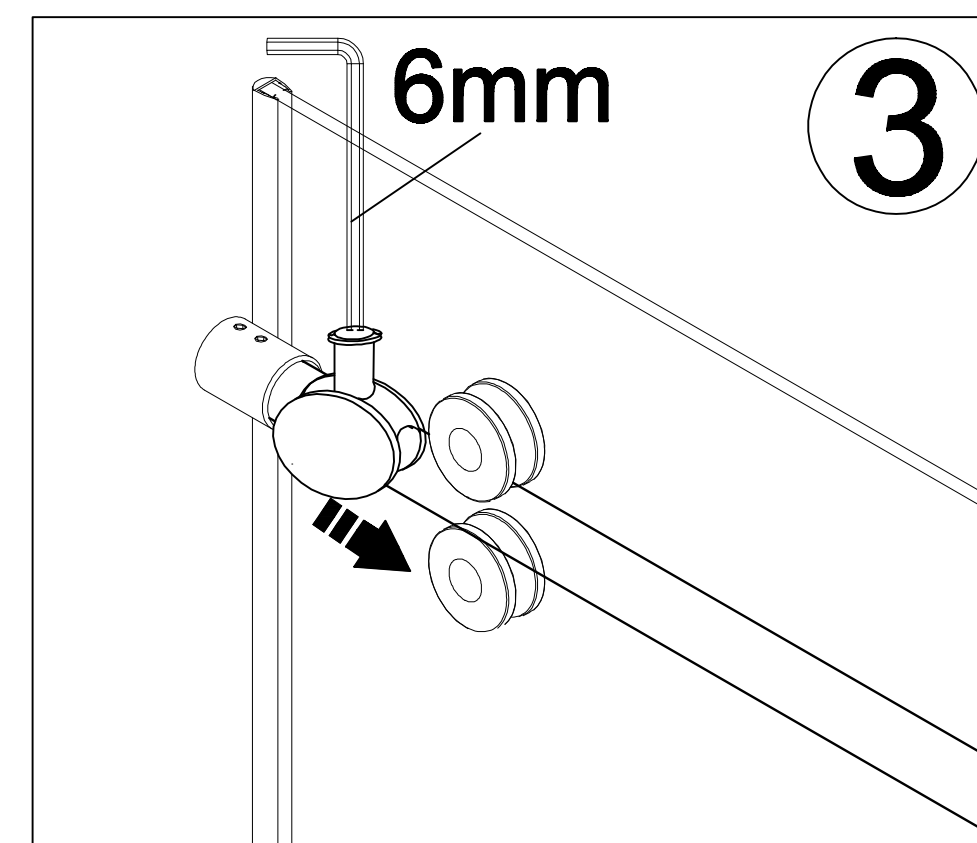
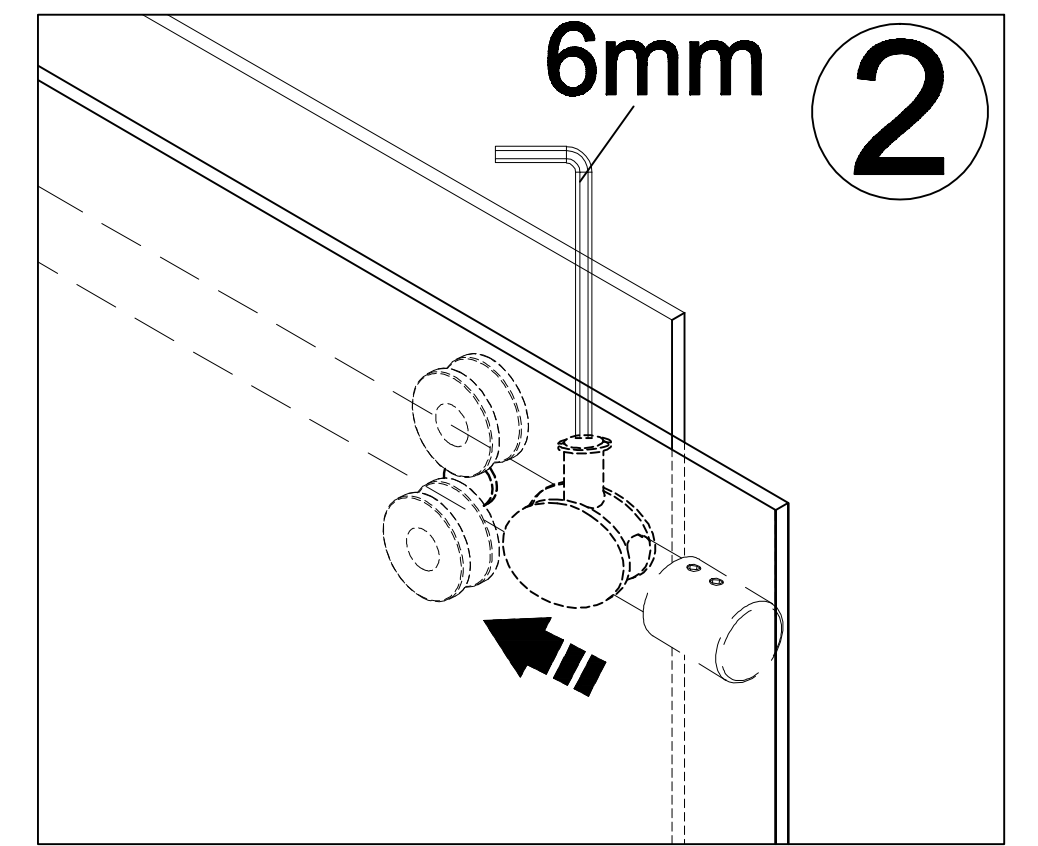
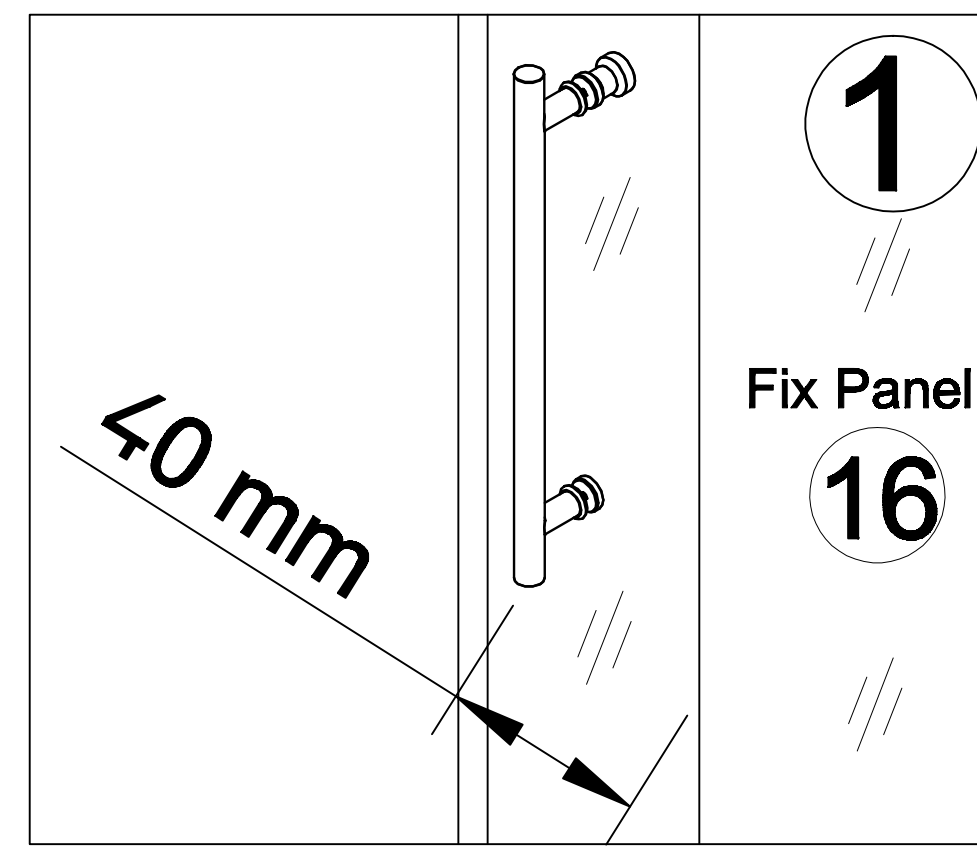
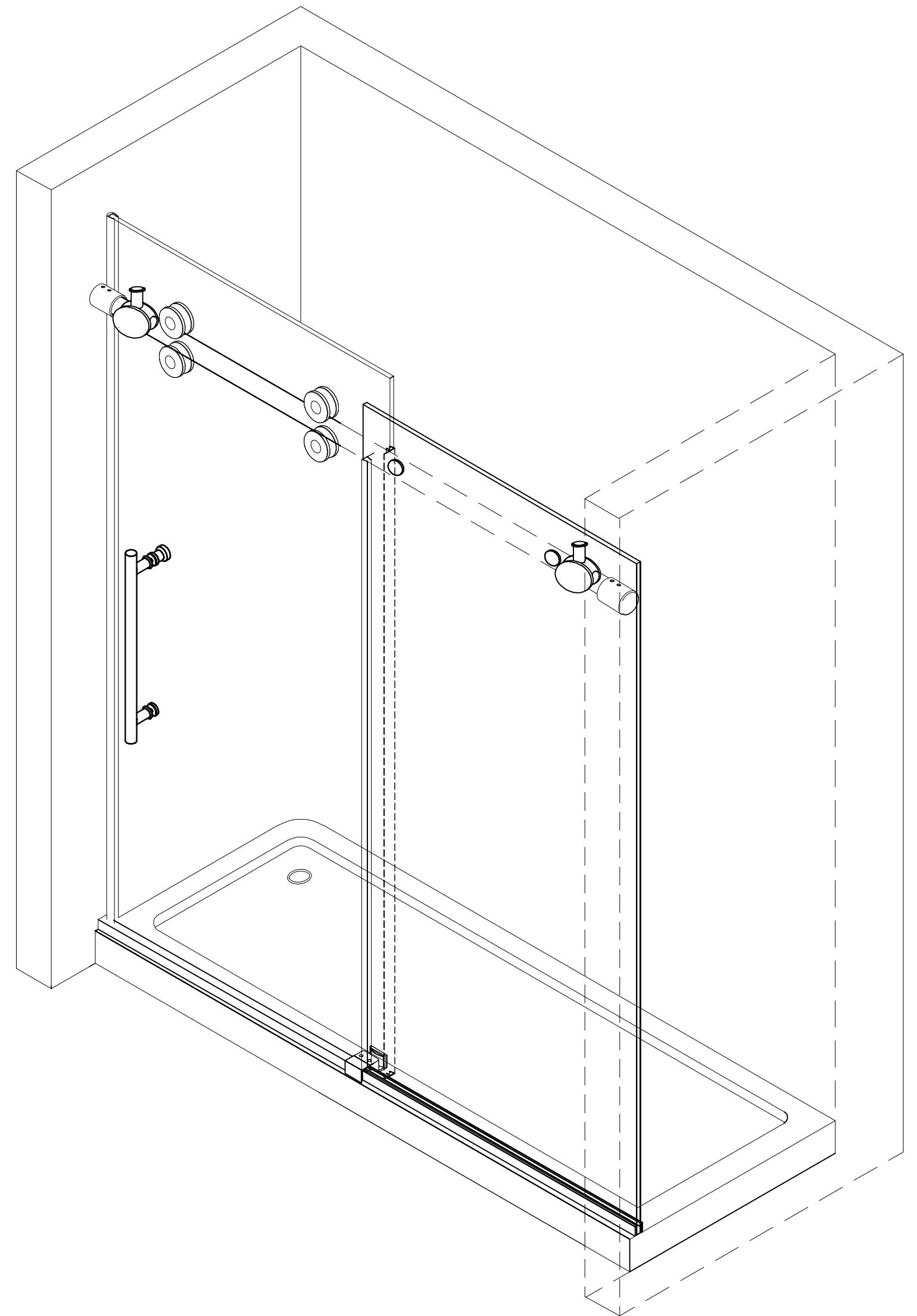


Right Hand Assembly

STEP 17

1. Push movable door(6) towards right and stops it until 40mm distance from handle(7) to edge of fix panel(16).
2. Loose the screw of door stopper(3) at fixed panel(16) side and move it until it's side by the roller, re-secure the door stopper(3).
3. Push movable door(6) towards left until bumper strip(4) hits wall, loose the screw of door stopper(3) and move it until it's side by the roller, re-secure the door stopper(3).

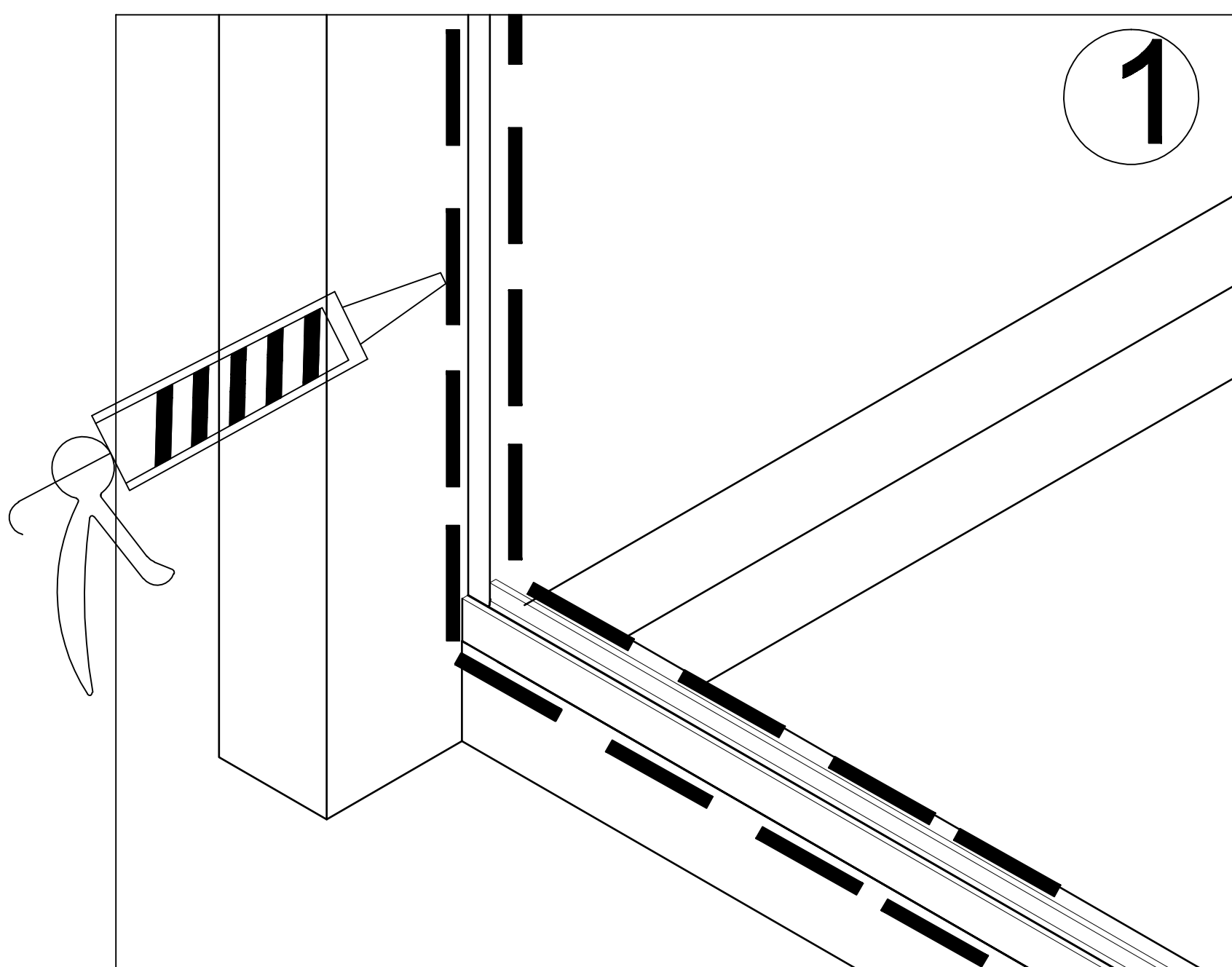
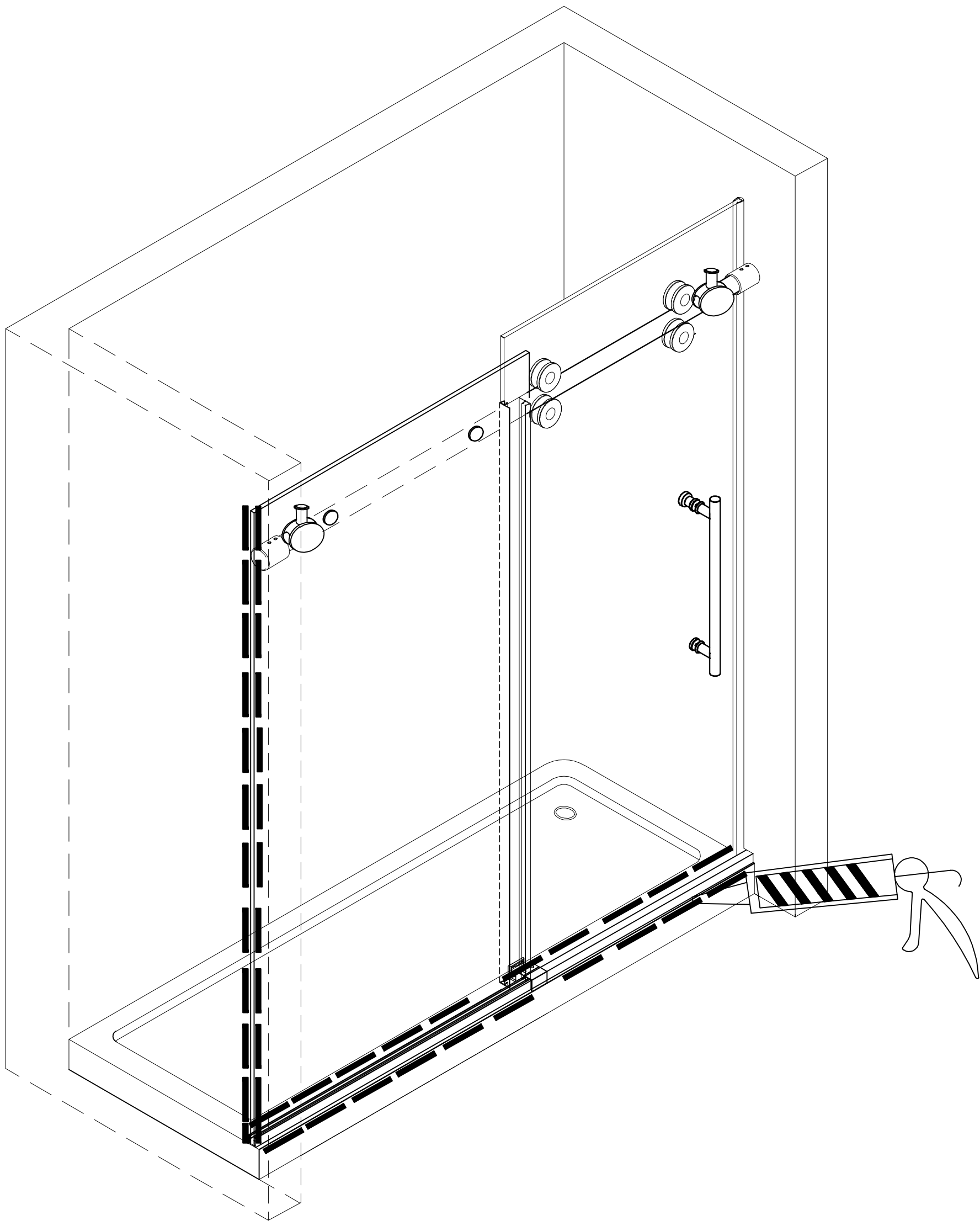
Reminder: Make sure door stopper(3) screws are secured tight and ensure it functions well to avoid glass crashes or any potential harm to human body if it hits wall hard when the door opens or closes.



Left Hand Assembly

STEP 18

1. Use clear silicone on both sides of shower door as well as the door bottom build. Let silicone dry for 24 hours before using the shower.



Right Hand Assembly

STEP 18

1. Use clear silicone on both sides of shower door as well as the door bottom build. Let silicone dry for 24 hours before using the shower.

