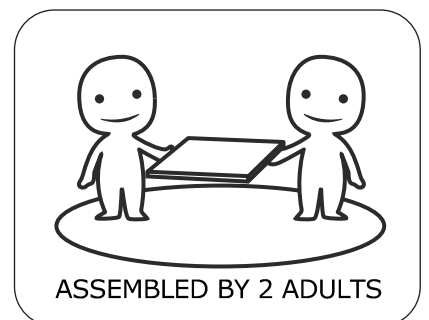


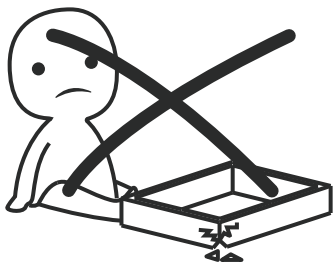
# Changing Table





### **IMPORTANT INFORMATION!**

please read the entire manual before starting to assemble and/or using this product. follow the manual thoroughly and keep it for further reference.



### **AVOID SCRATCHES!**

In order to avoid scratching this furniture should be assembled on a soft layer- could be a rug.



### **IMPROVE EFFICIENCY !**

Try to find a partner to install with you, which can speed up the installation efficiency and shorten the time.



### **ANTI-TOPPLE WARNING !**

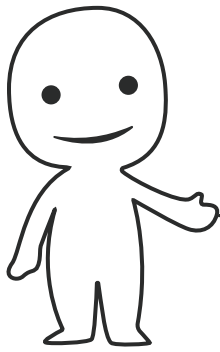
Overturnd furniture can cause serious or fatal crush injuries. To prevent tipping over, be sure to use the wall attachment, if not included with this product. Please purchase the wall attachment that fit your wall. If unsure, seek professional advice. Please read and follow each step of the instructions carefully.

### **IMPORTANT !**

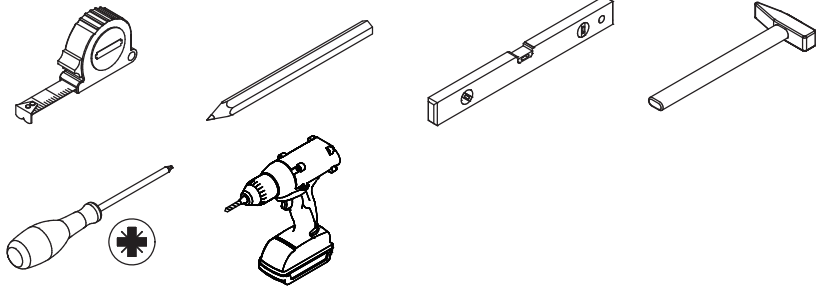
It is important that any product which is assembled using any kind of screw is re-tightened 2 weeks after assembly, and once every 3 months - in order to assure stability through-out the lifespan of the product.

For regular maintenance and cleaning of the product, for the frame, please use a rag dipped in neutral detergent to fully wipe it, and then dry it with a clean rag. For glass materials, wipe with a rag dampened with water glass cleaner, and then dry with a dry rag.

Do not use an electric screwdriver, and do not use too much force when installing, because the board is easy to break.

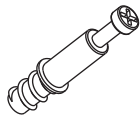


Please prepare the following tools



When installing, please carefully confirm whether each screw corresponds to the manual, accessories with similar shapes can be distinguished by size

A x 68+6



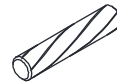
Ø5 x 31 mm

B x 68+6



Ø15 x 11 mm

C x 28+2



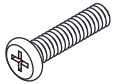
Ø8 x 30 mm

D x 44+4



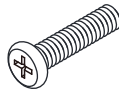
Ø3 x 12 mm

E x 3



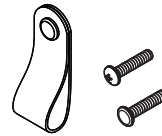
Ø6 x 20 mm

F x 4



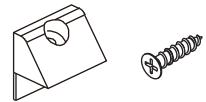
Ø6 x 25 mm

G x 5



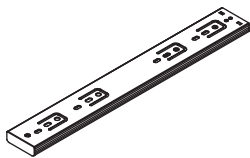
Ø3 x 11 mm

H x 8



Ø3 x 12 mm

J x 2



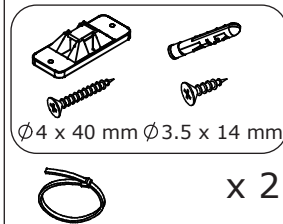
L = 350

K x 4



CL CR DL DR  
L = 350

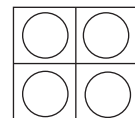
L x 1



Ø4 x 40 mm Ø3.5 x 14 mm

x 2

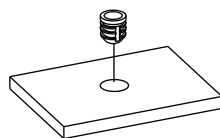
M x 68+6



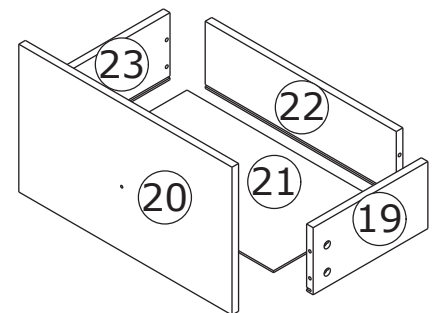
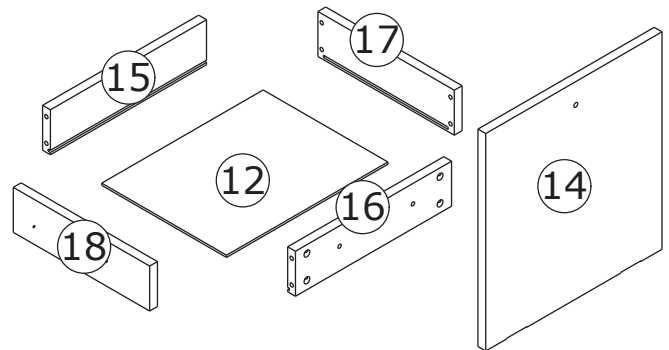
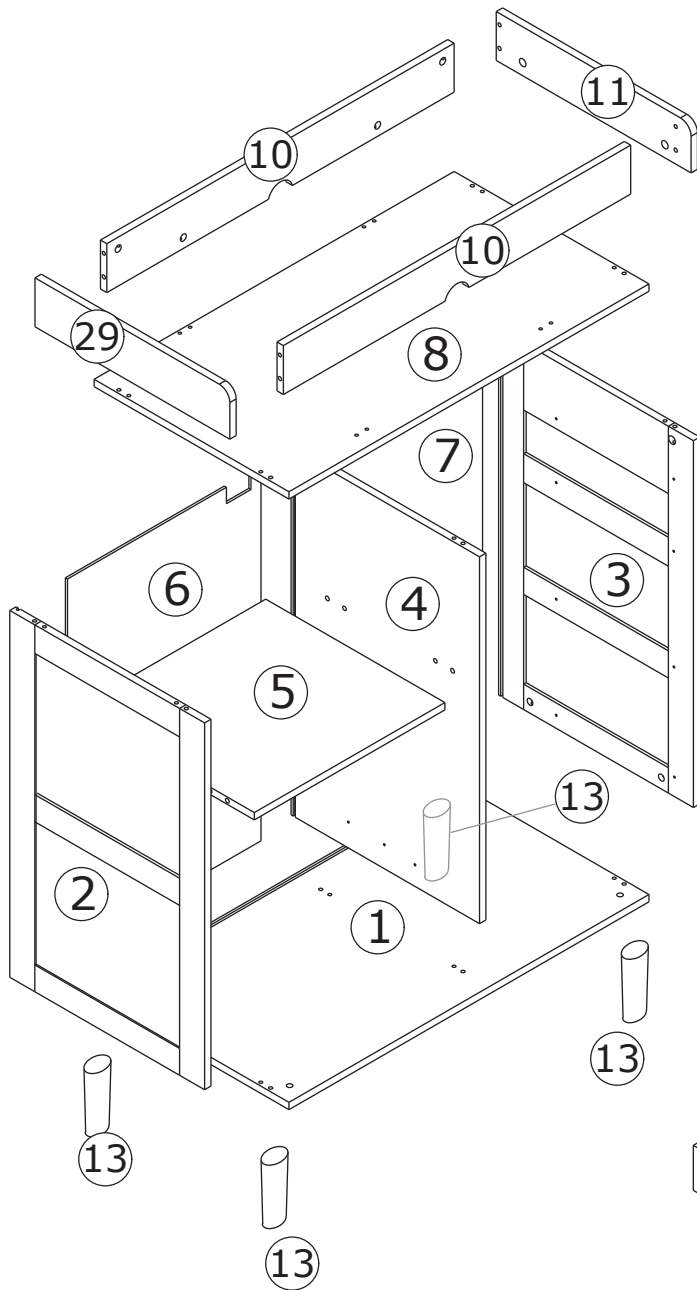
N x 4



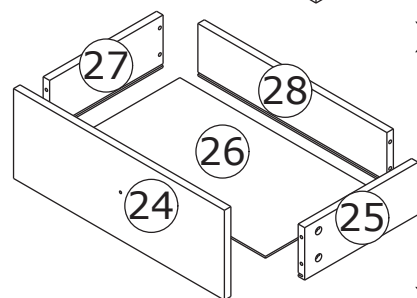
White nut



x 3



x 2



x 2

## ⚠ WARNING



**Children have died from furniture tipover. To reduce the risk of furniture tipover:**

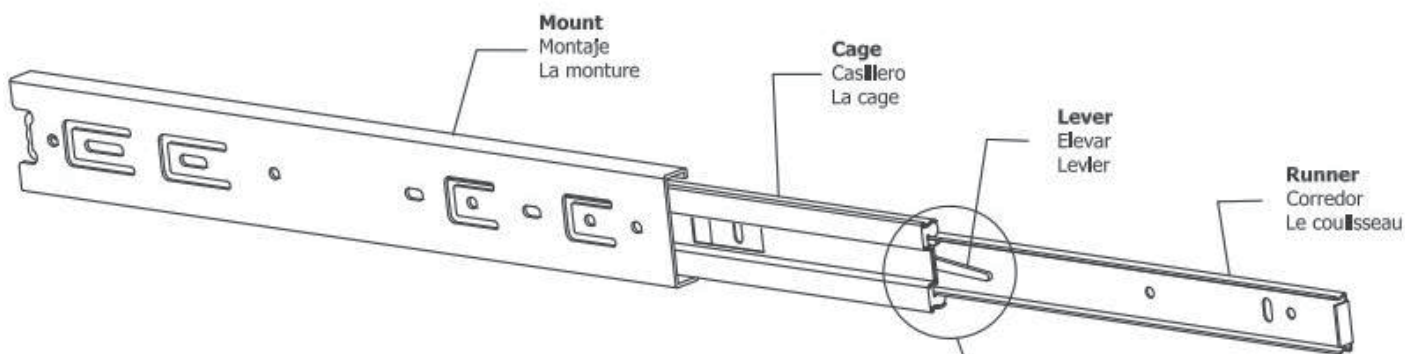
- ALWAYS install tipover restraint provided.
- NEVER put a TV on this product.
- NEVER allow children to stand, climb or hang on drawers, doors, or shelves.
- NEVER open more than one drawer at a time.
- Place heaviest items in the lowest drawers.

*This is a permanent label.  
Do not remove!*

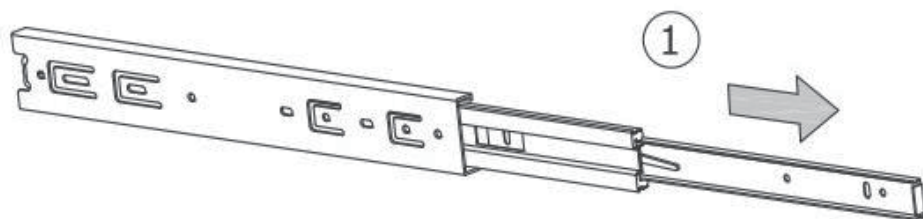
**Slides Must Be Separated Before Assembly.  
After Separated, Set Aside Until Needed for Assembly.**

Las diapositivas deben separarse antes del montaje.  
Después de la separación, déjelo a un lado hasta que sea necesario.

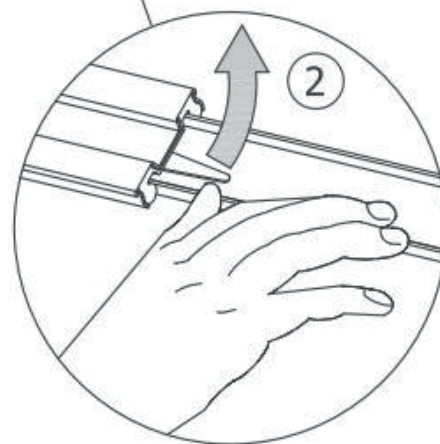
Les glissières doivent être séparées avant l'assemblage.  
Après la séparation, mettez de côté jusqu'au moment de l'assemblage.



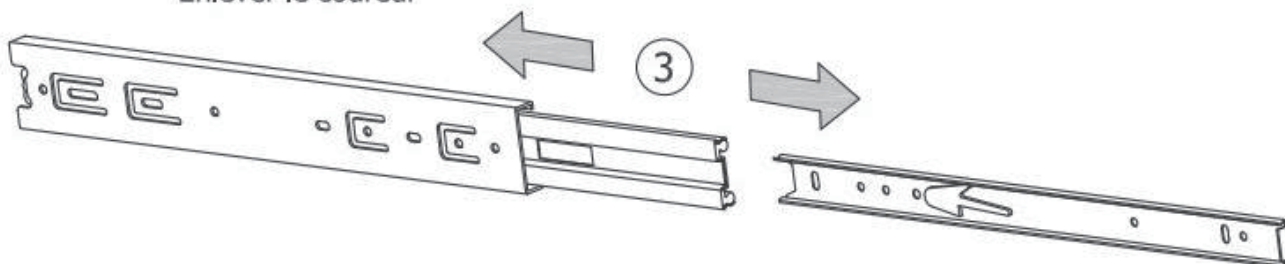
**STEP 1: Extend Slide**  
Extender la diapositiva  
Extendre la diapositive



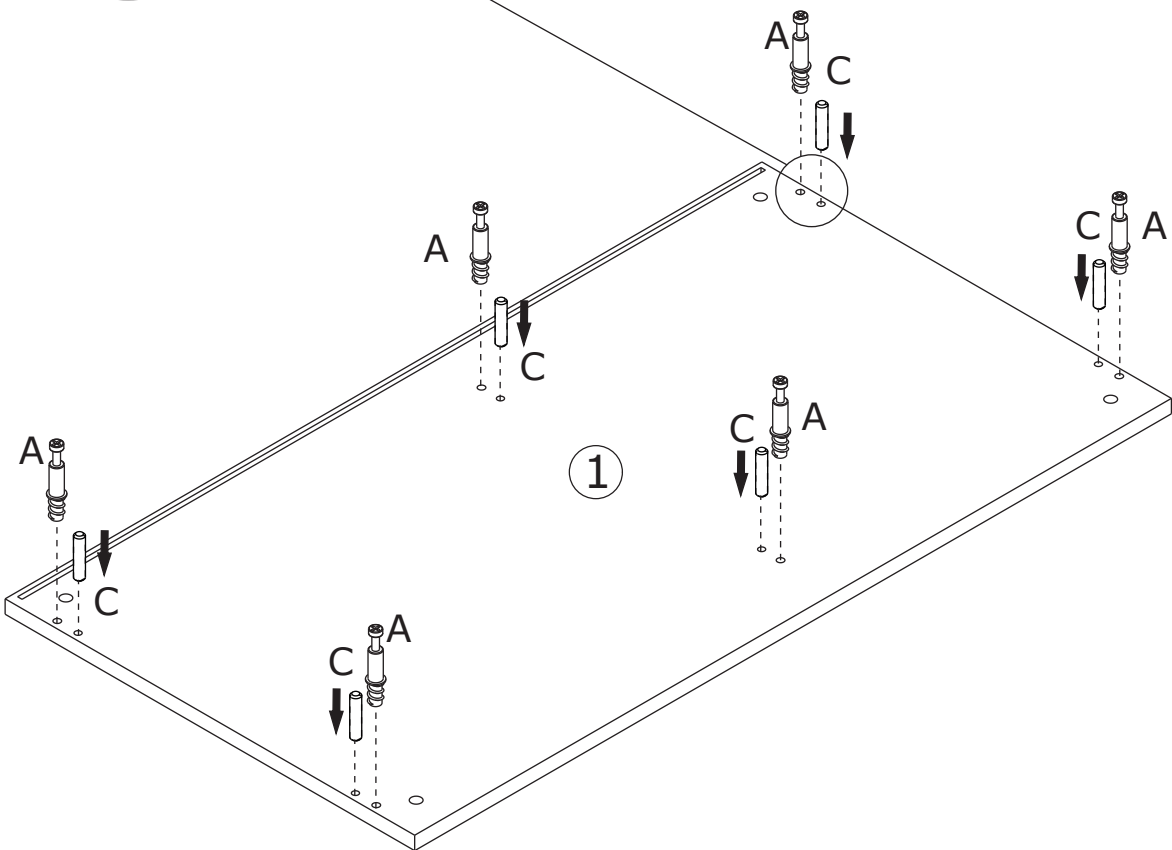
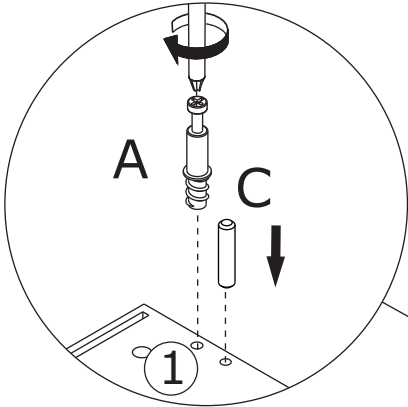
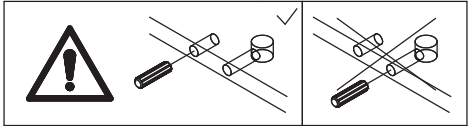
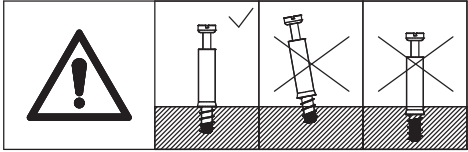
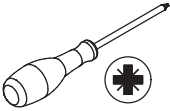
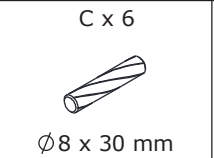
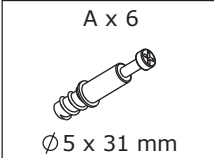
**STEP 2: Push Lever UP**  
Empujar hacia arriba  
Lever le levier



**STEP 3: Remove Runner**  
Quitar el corredor  
Enlever le coureur



1



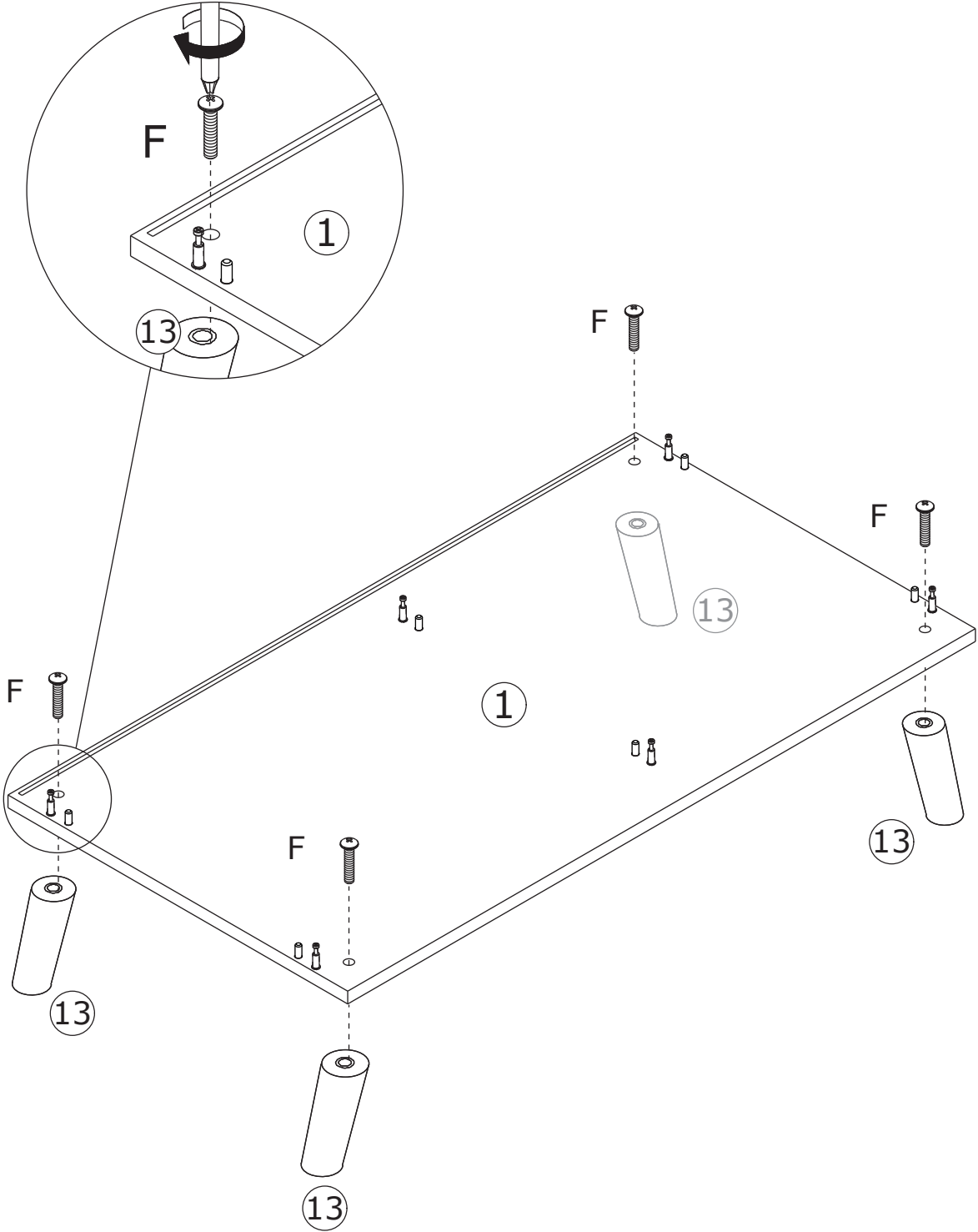
Screw eccentric rod(A) and insert wooden dowel(C) into board 1 as shown.

2

F x 4  
Ø6 x 25 mm

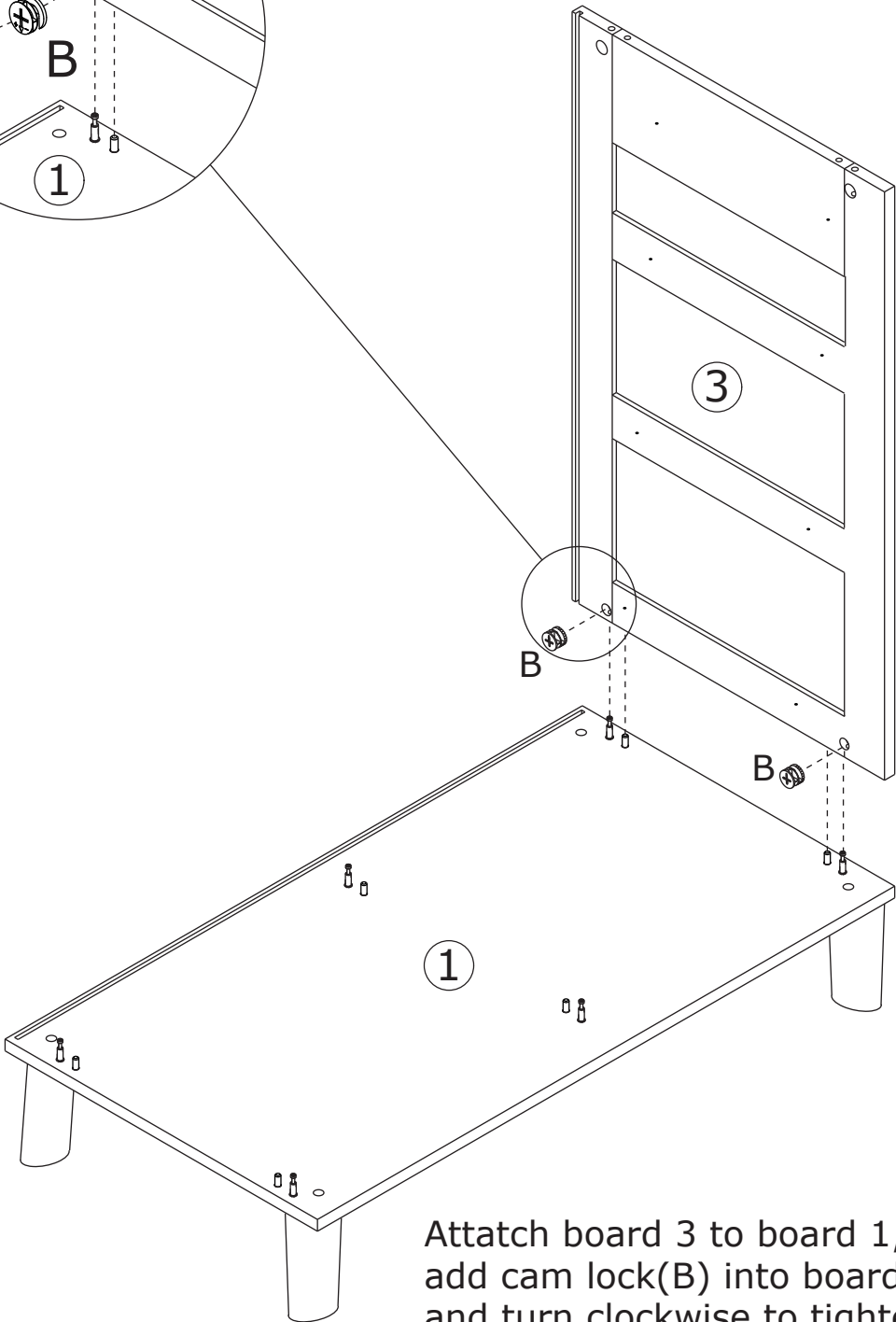
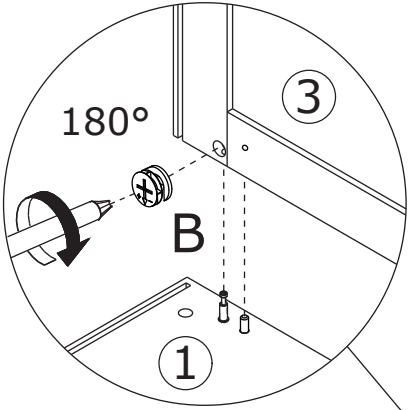
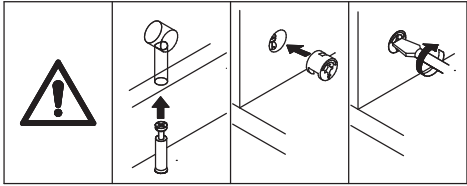


Fix leg 13 to board 1 with screw(F) as shown.



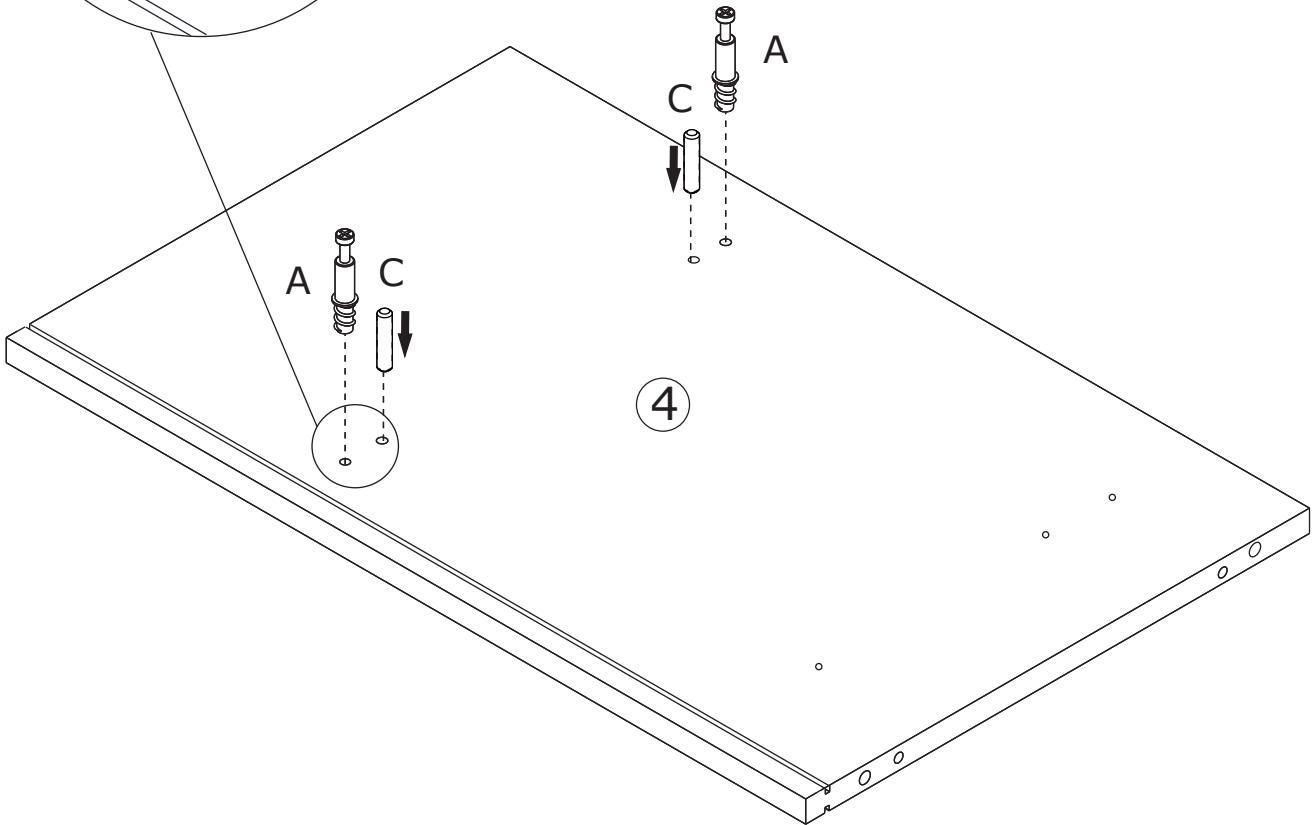
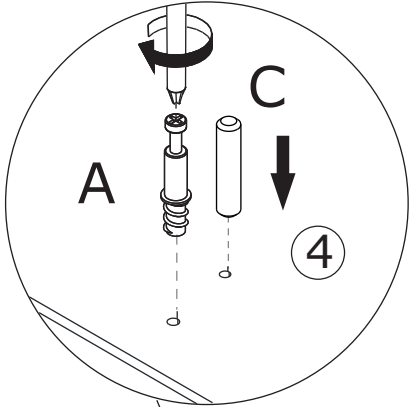
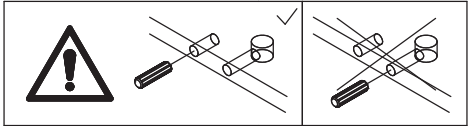
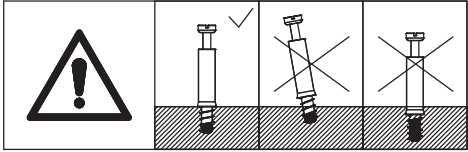
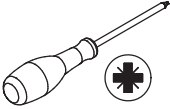
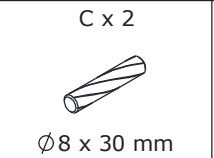
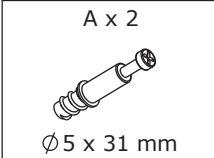
3

B x 2  
Ø15 x 11 mm



Attatch board 3 to board 1,  
add cam lock(B) into board 3  
and turn clockwise to tighten as shown.

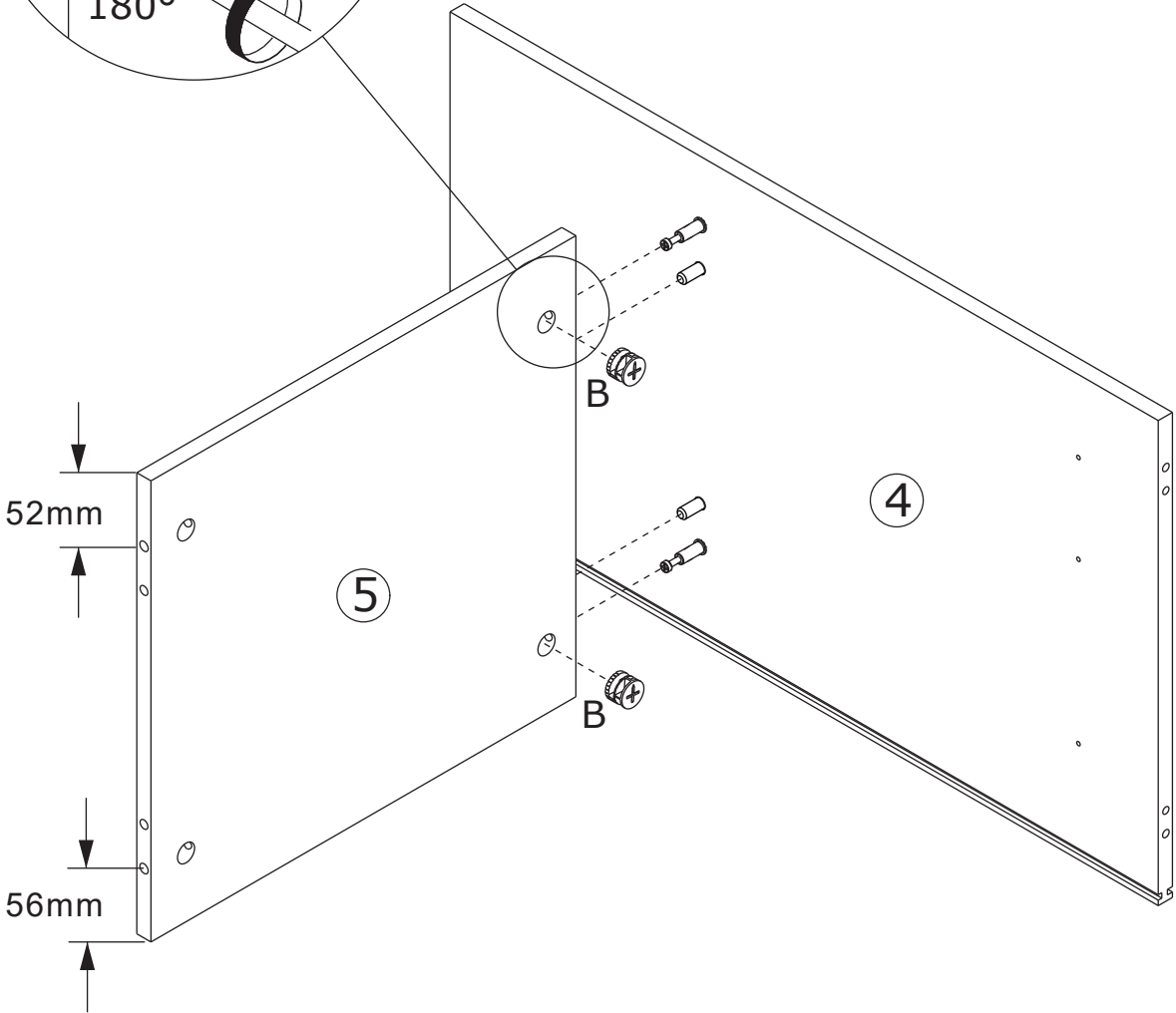
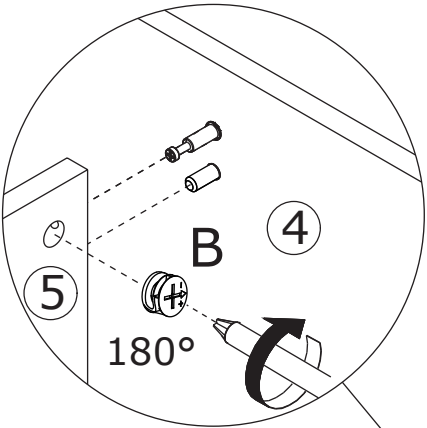
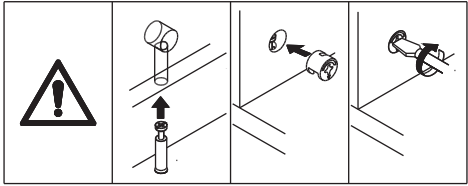
4



Screw eccentric rod(A) and insert wooden dowel(C) into board 4 as shown.

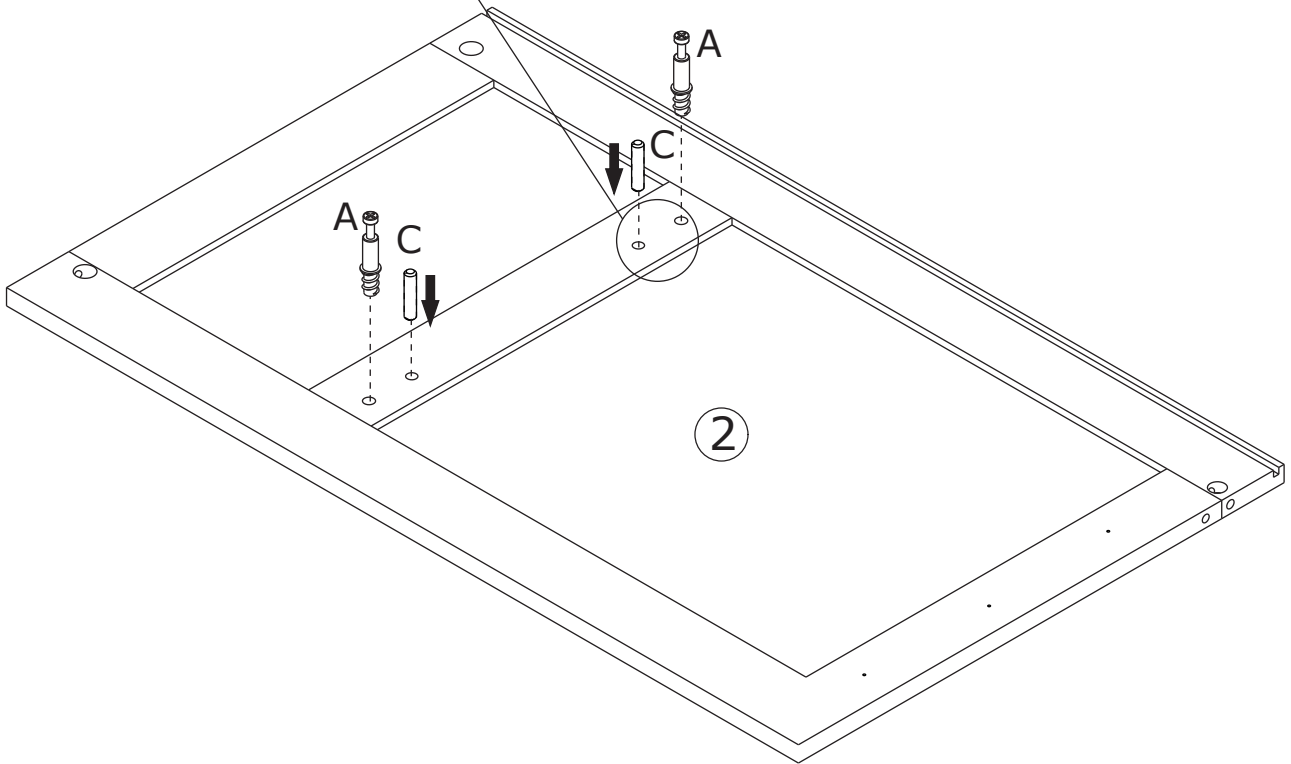
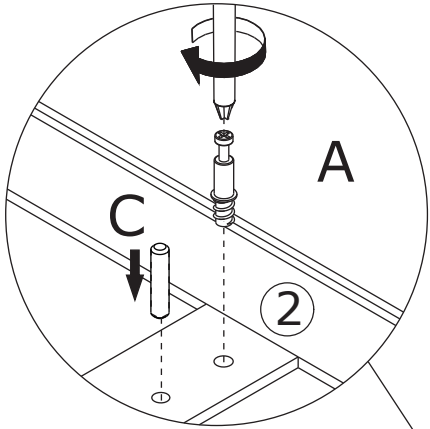
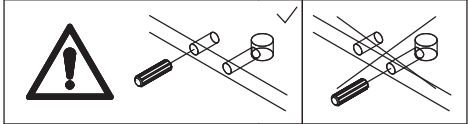
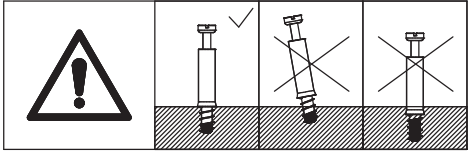
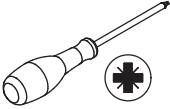
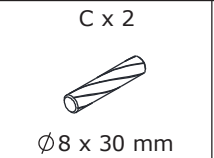
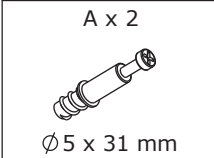
5

B x 2  
Ø15 x 11 mm



Attach board 5 to board 4, add cam lock(B) into board 5 and turn clockwise to tighten as shown.

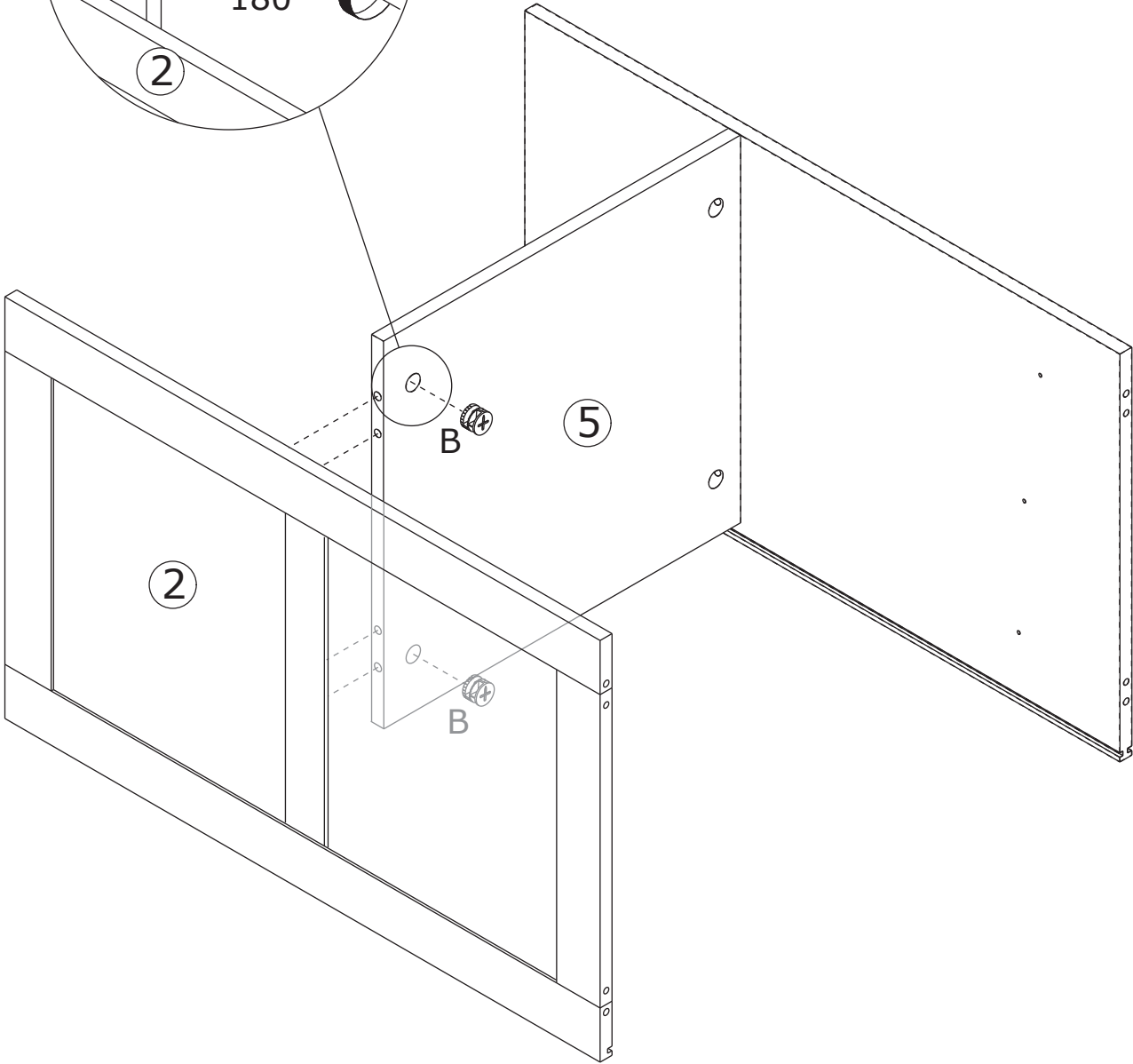
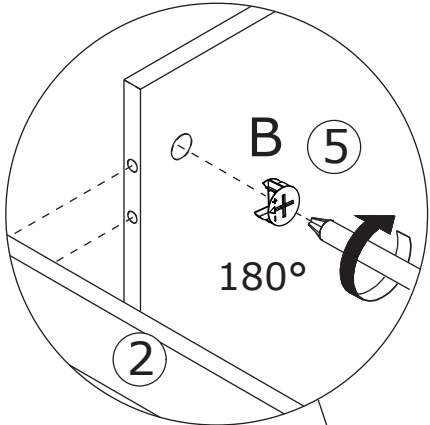
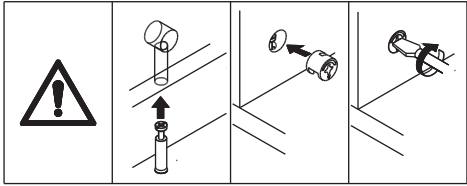
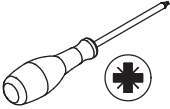
6



Screw eccentric rod(A) and insert wooden dowel(C) into board 2 as shown.

7

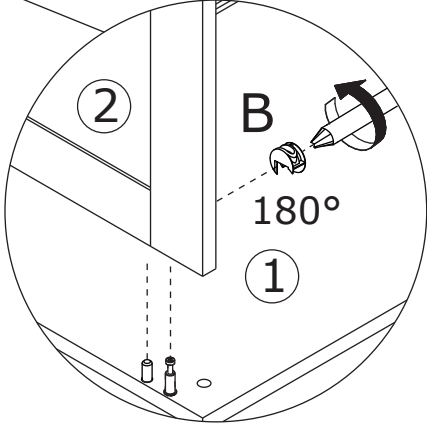
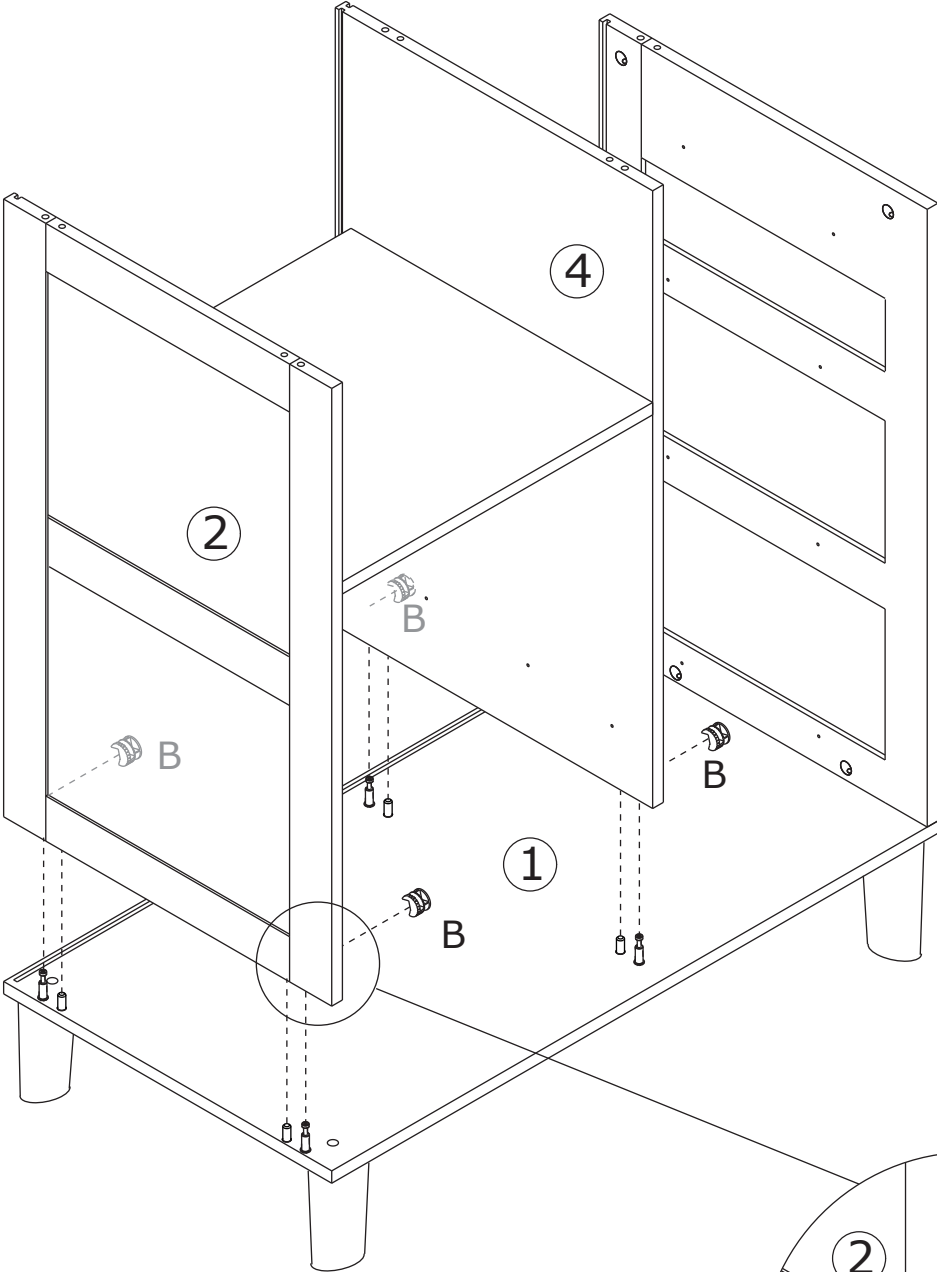
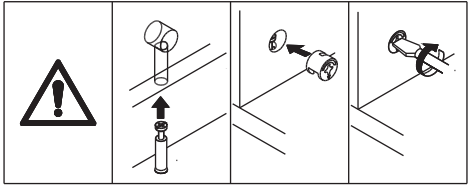
B x 2  
Ø15 x 11 mm



Attatch board 2 to board 5, add cam lock(B) into board 5 and turn clockwise to tighten as shown.

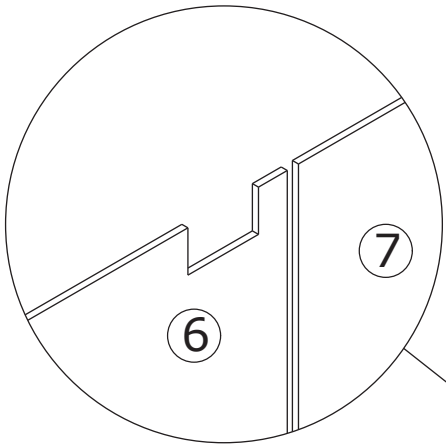
8

B x 4  
Ø15 x 11 mm

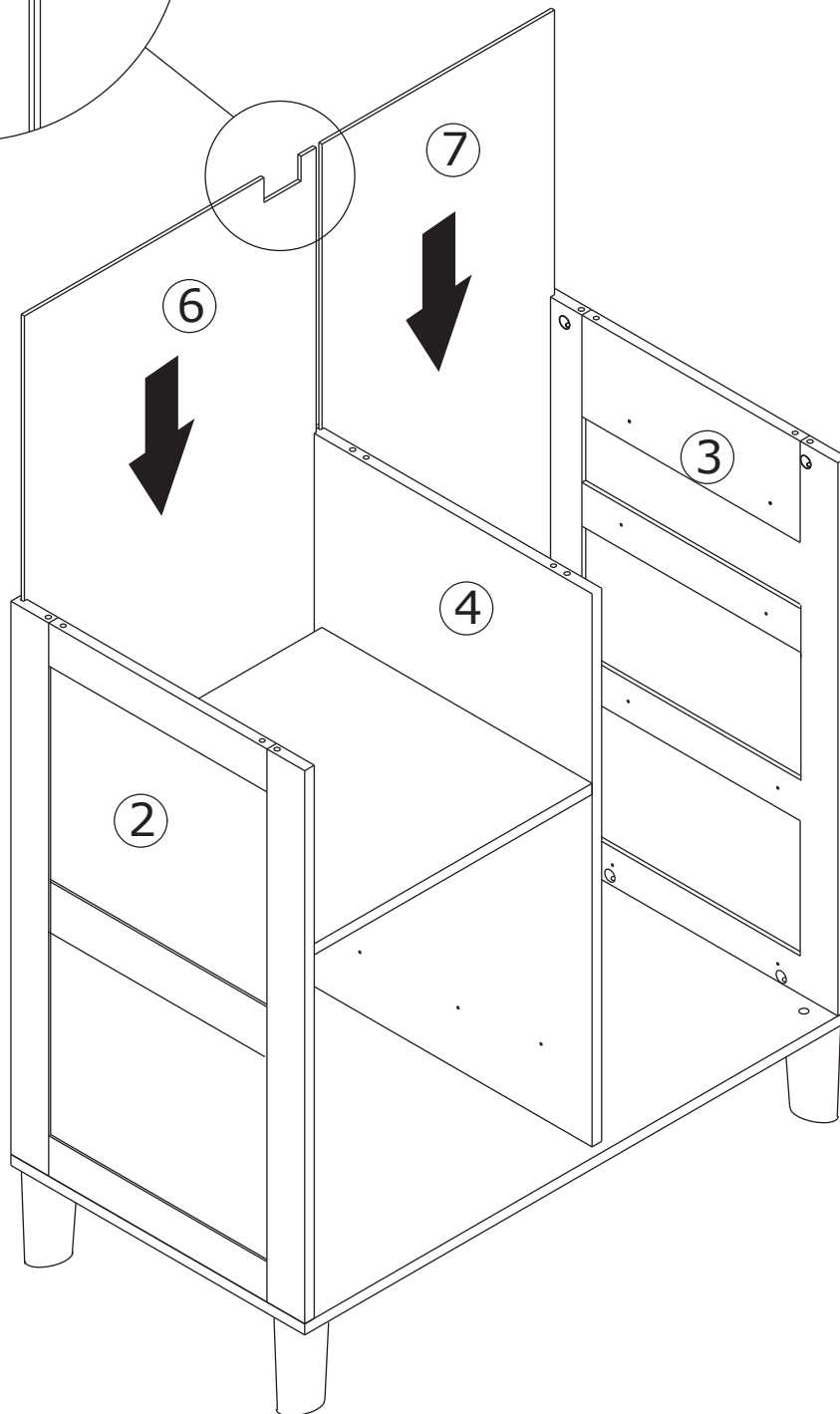


Attach board 2 and 4 to board 1, add cam lock(B) into board 2,4 and turn clockwise to tighten as shown.

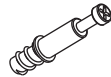

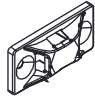

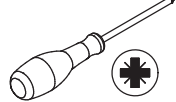
9

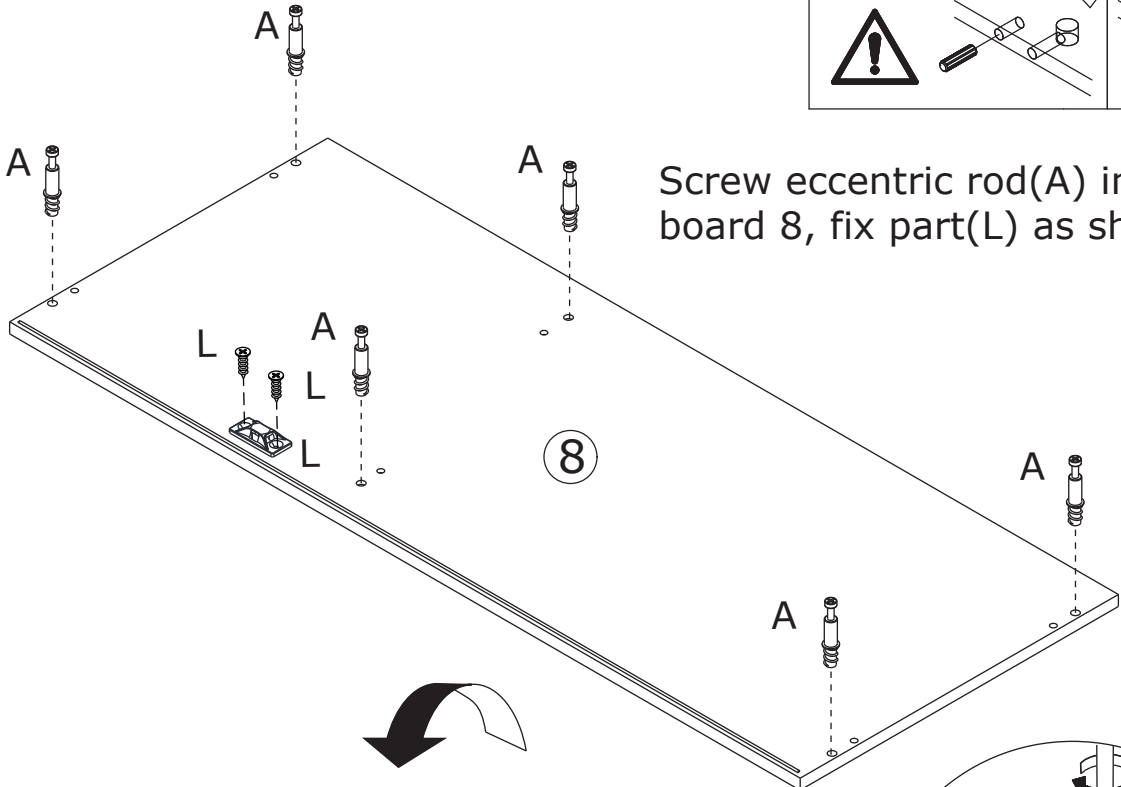
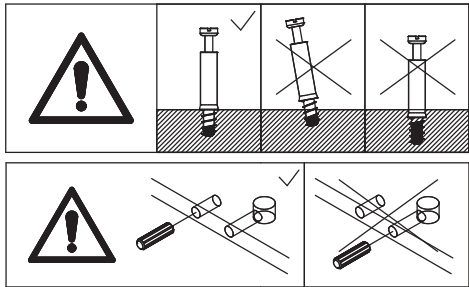


Insert back board 6 and 7 along grooves as shown.

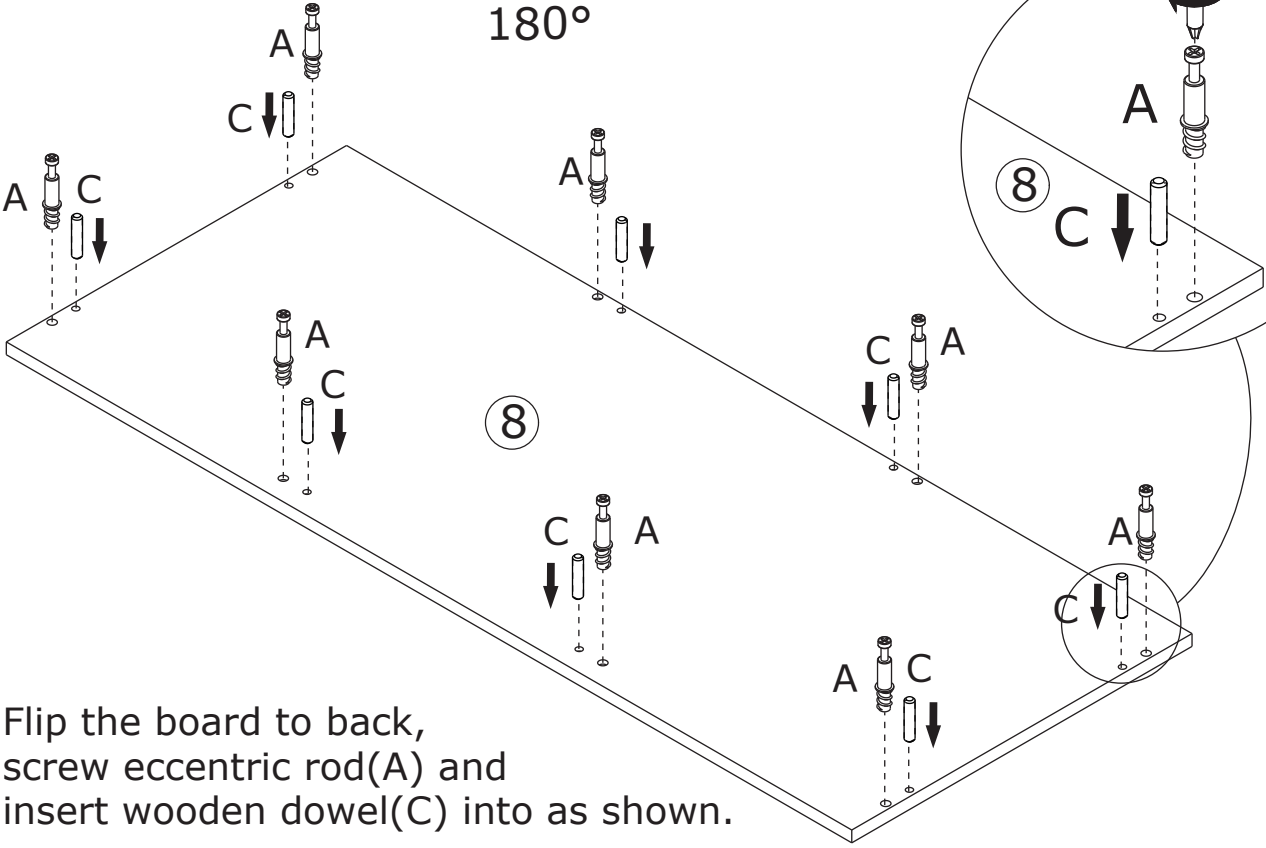


10

A x 14  Ø5 x 31 mm	C x 8  Ø8 x 30 mm	L x 1 	L x 2  Ø3.5 x 14 mm	
---	--	--	---	---



Screw eccentric rod(A) into board 8, fix part(L) as shown.



Flip the board to back, screw eccentric rod(A) and insert wooden dowel(C) into as shown.

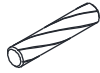
11

B x 6

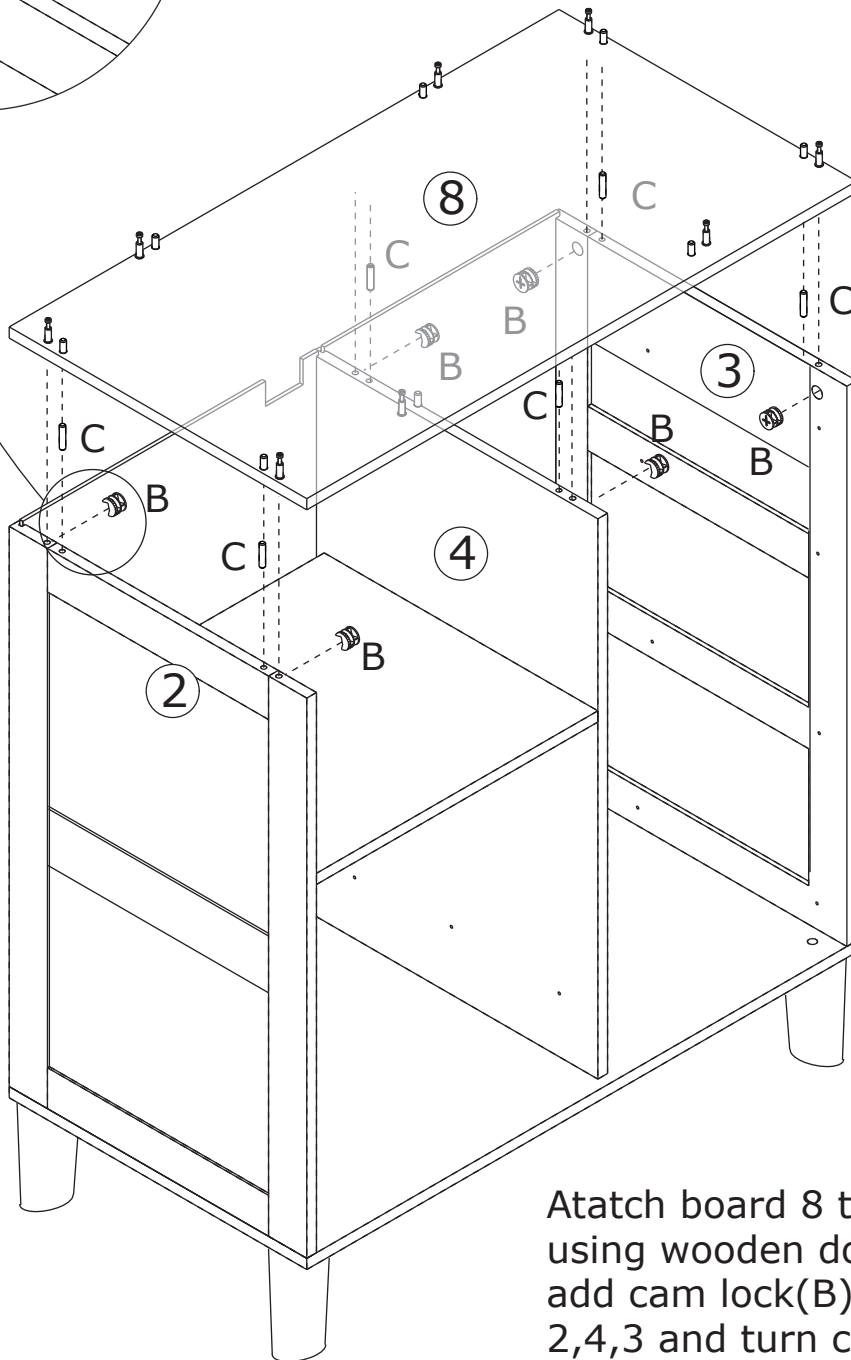
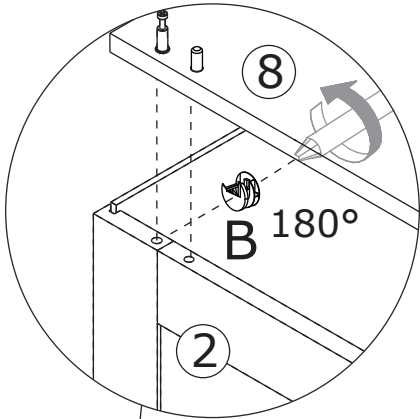
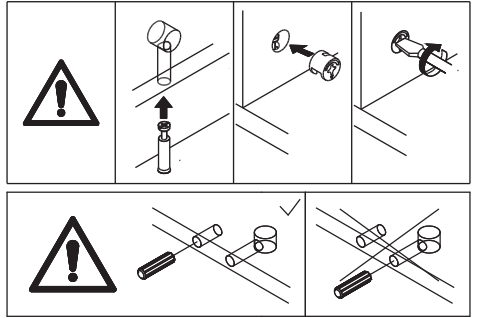
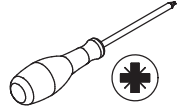


Ø15 x 11 mm

C x 6



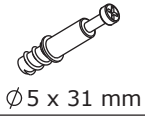
Ø8 x 30 mm



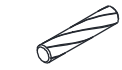
Attach board 8 to the top using wooden dowel (C), add cam lock (B) into board 2, 4, 3 and turn clockwise to tighten as shown.

# 12

A x 4

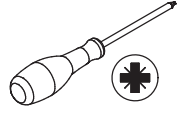


C x 4

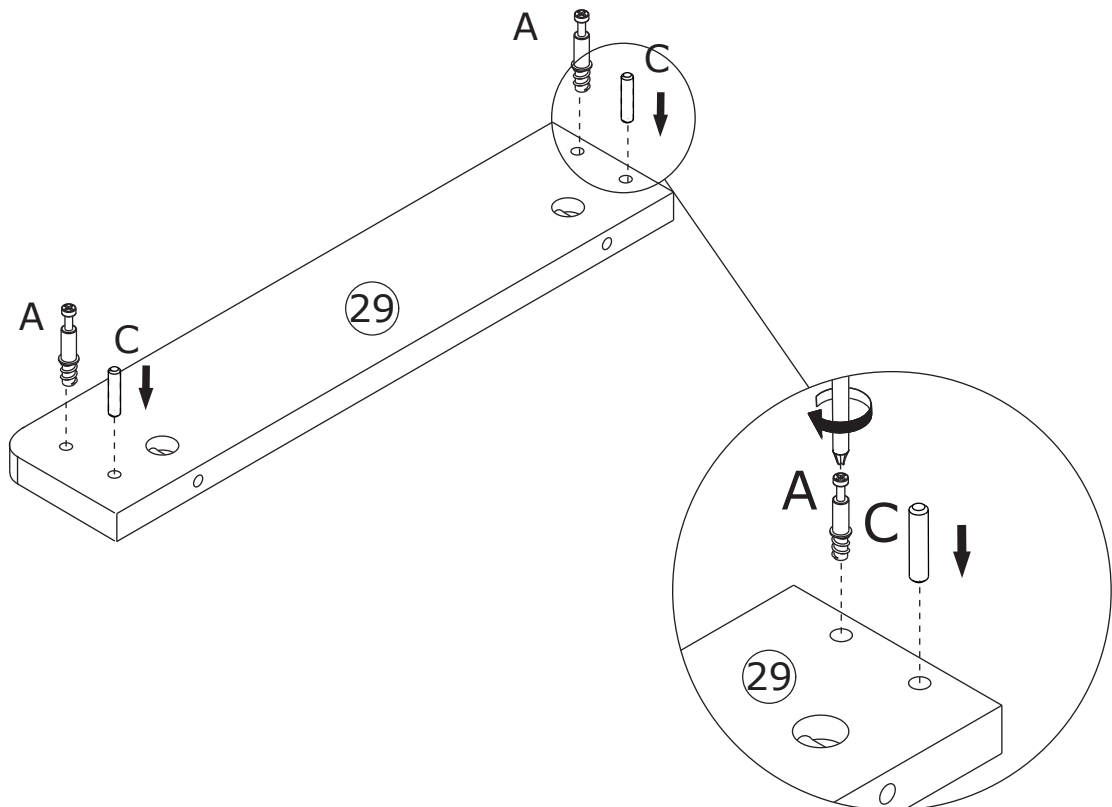
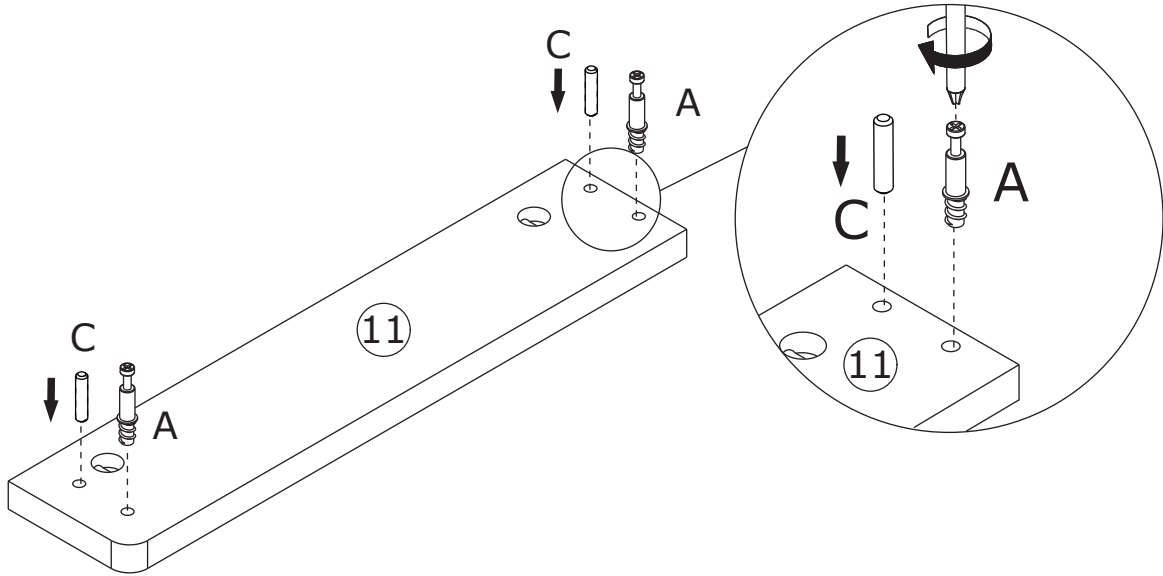
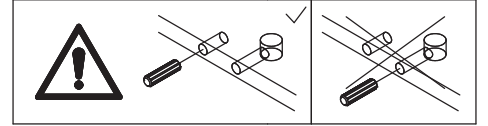
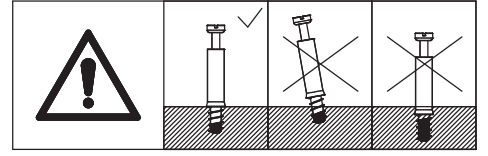


Ø5 x 31 mm

Ø8 x 30 mm

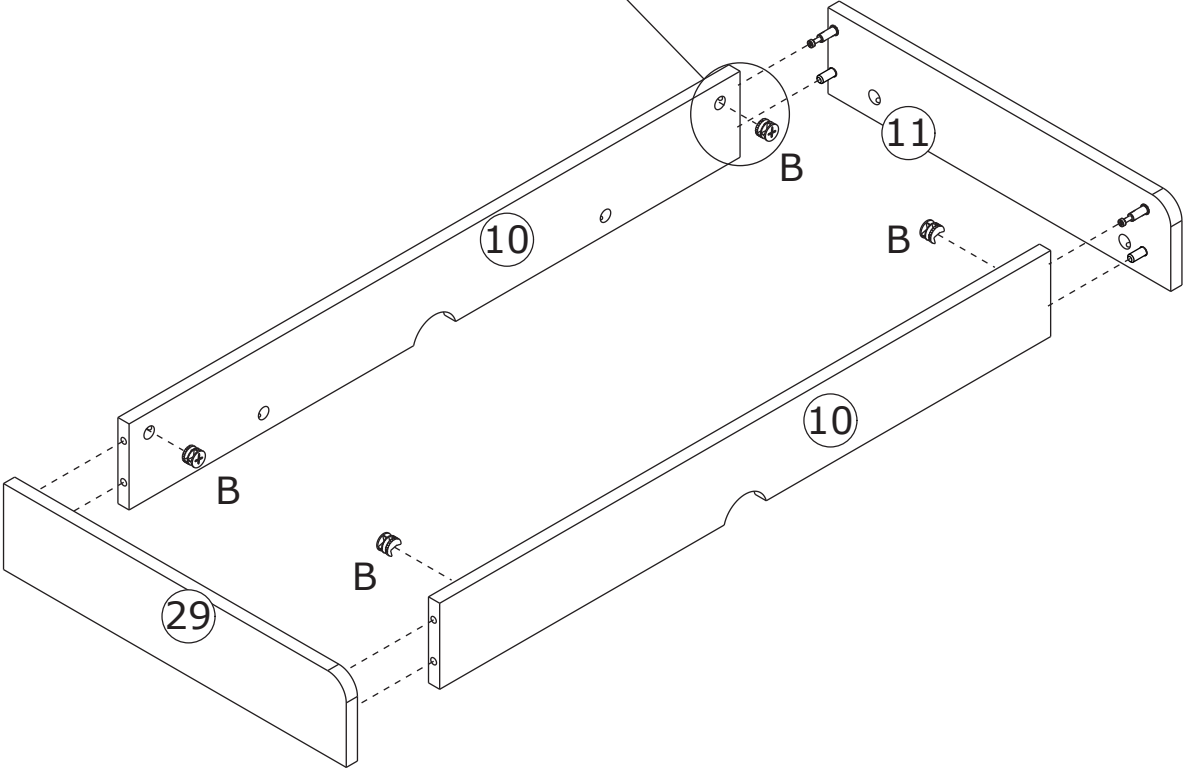
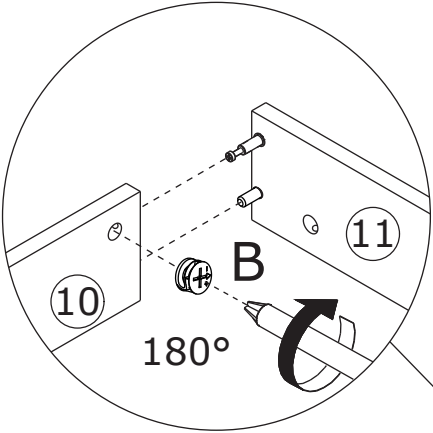
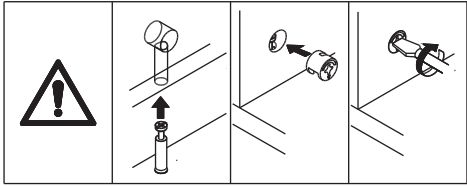


Screw eccentric rod(A) and insert wooden dowel(C) into board 11 and 29 as shown.



13

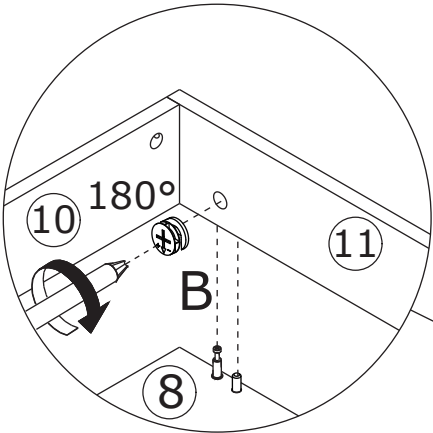
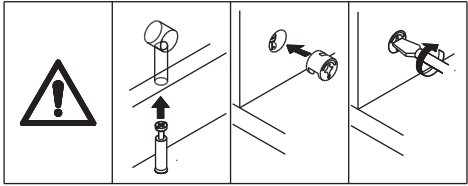
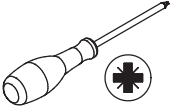
B x 4  
Ø15 x 11 mm



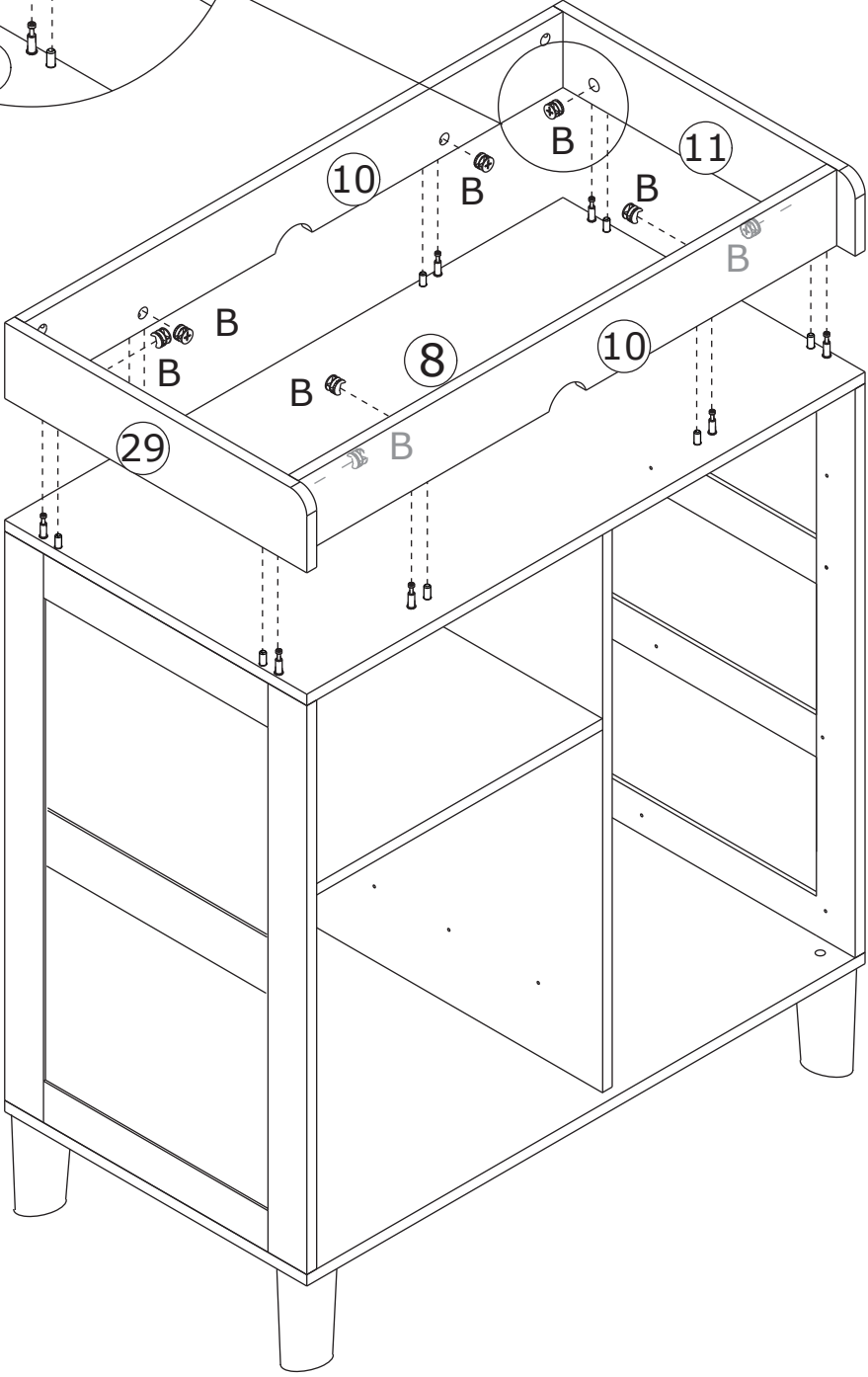
Connect board 10 to board 11 and 29, add cam lock(B) into board 10 and turn clockwise to tighten as shown.

14

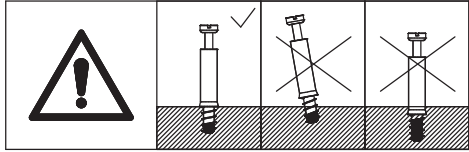
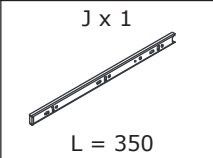
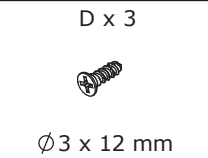
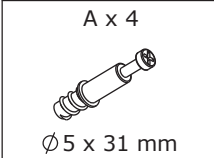
B x 8  
Ø15 x 11 mm



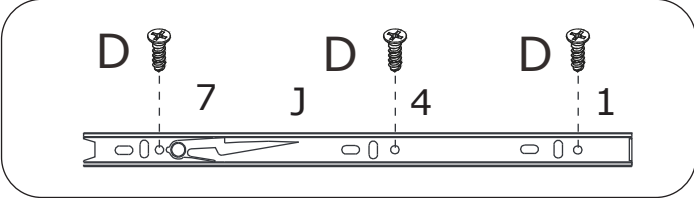
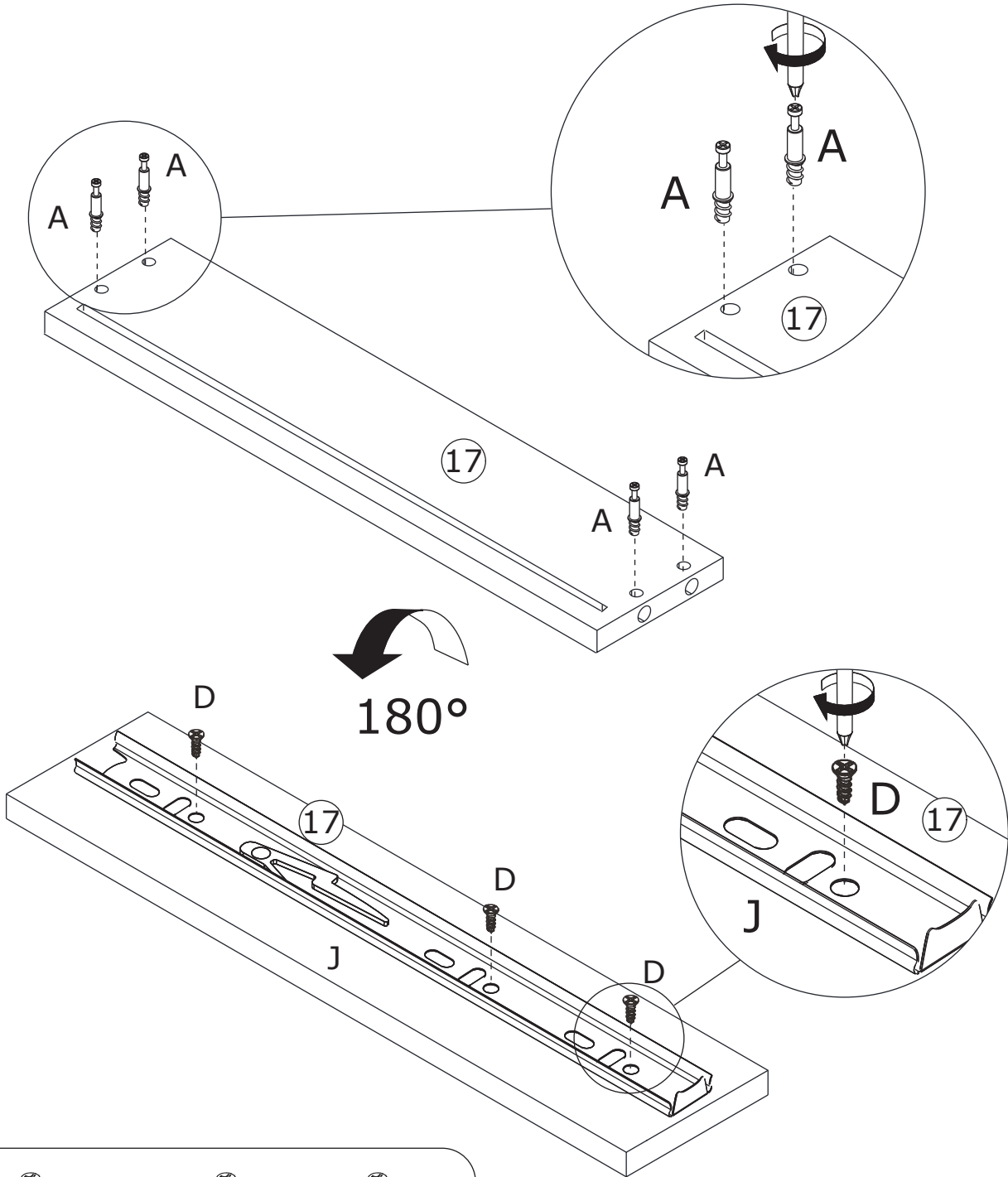
Attach the part to board 8, add cam lock(B) into and turn clockwise to tighten as shown.



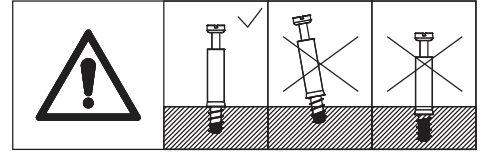
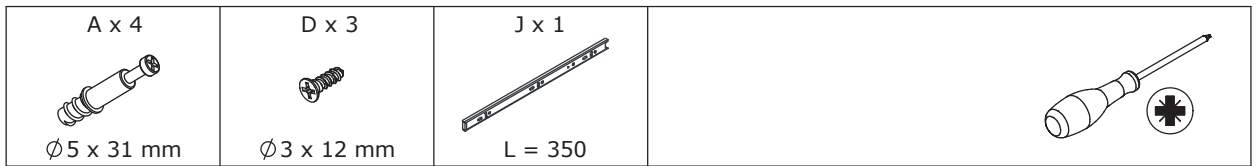
15



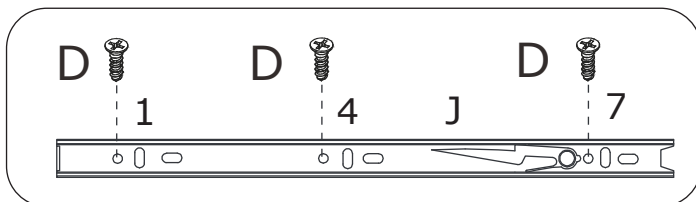
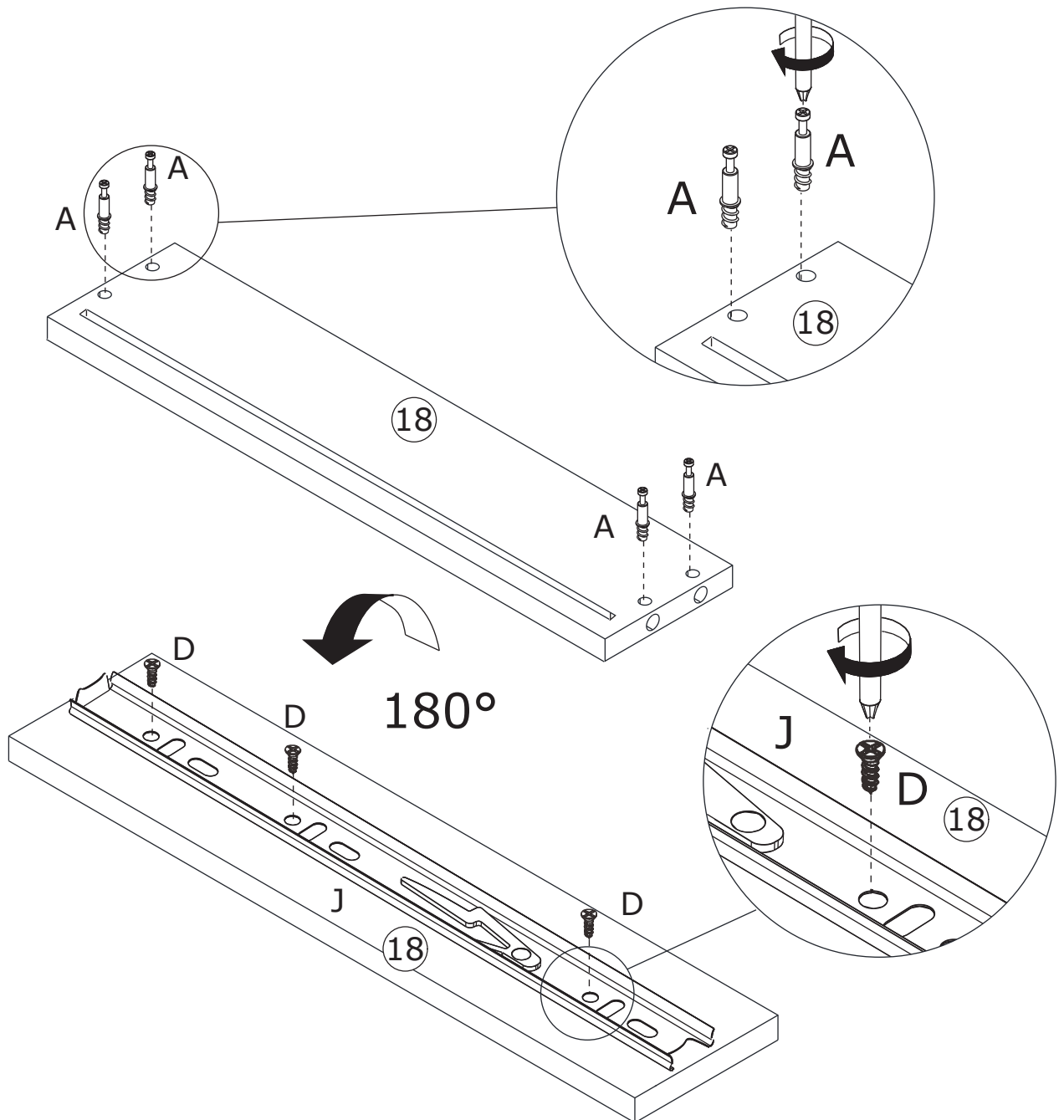
Screw eccentric rod(A) into board 17 as shown.  
Flip the board to back, fix runner(J) with screw(D) as shown.




# 16

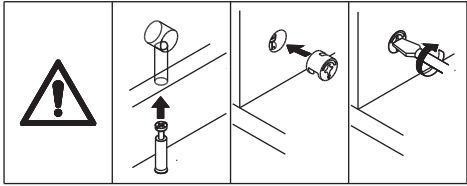
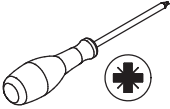


Screw eccentric rod(A) into board 18 as shown.  
Flip the board to back, fix runner(J) with screw(D) as shown.

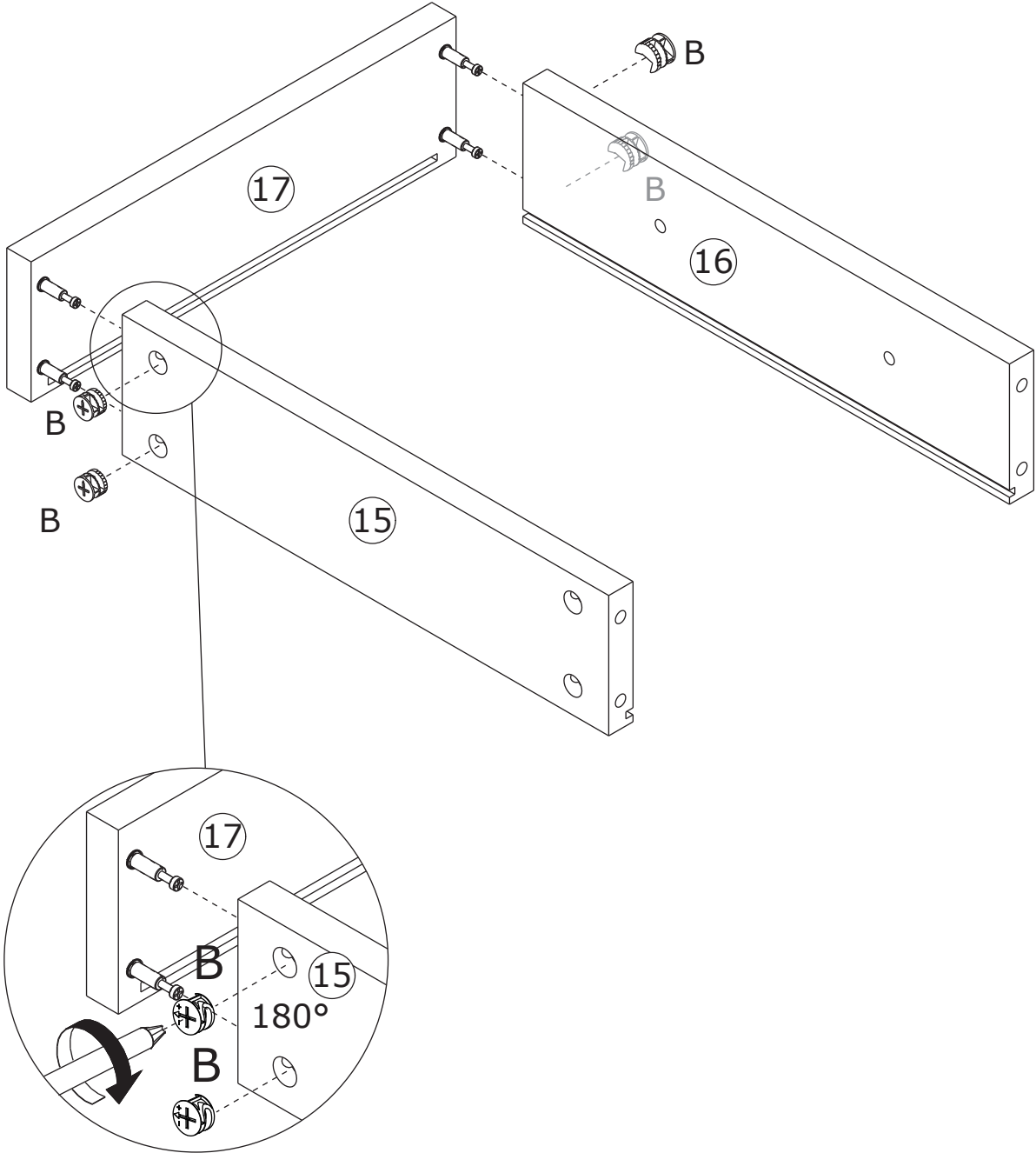


17

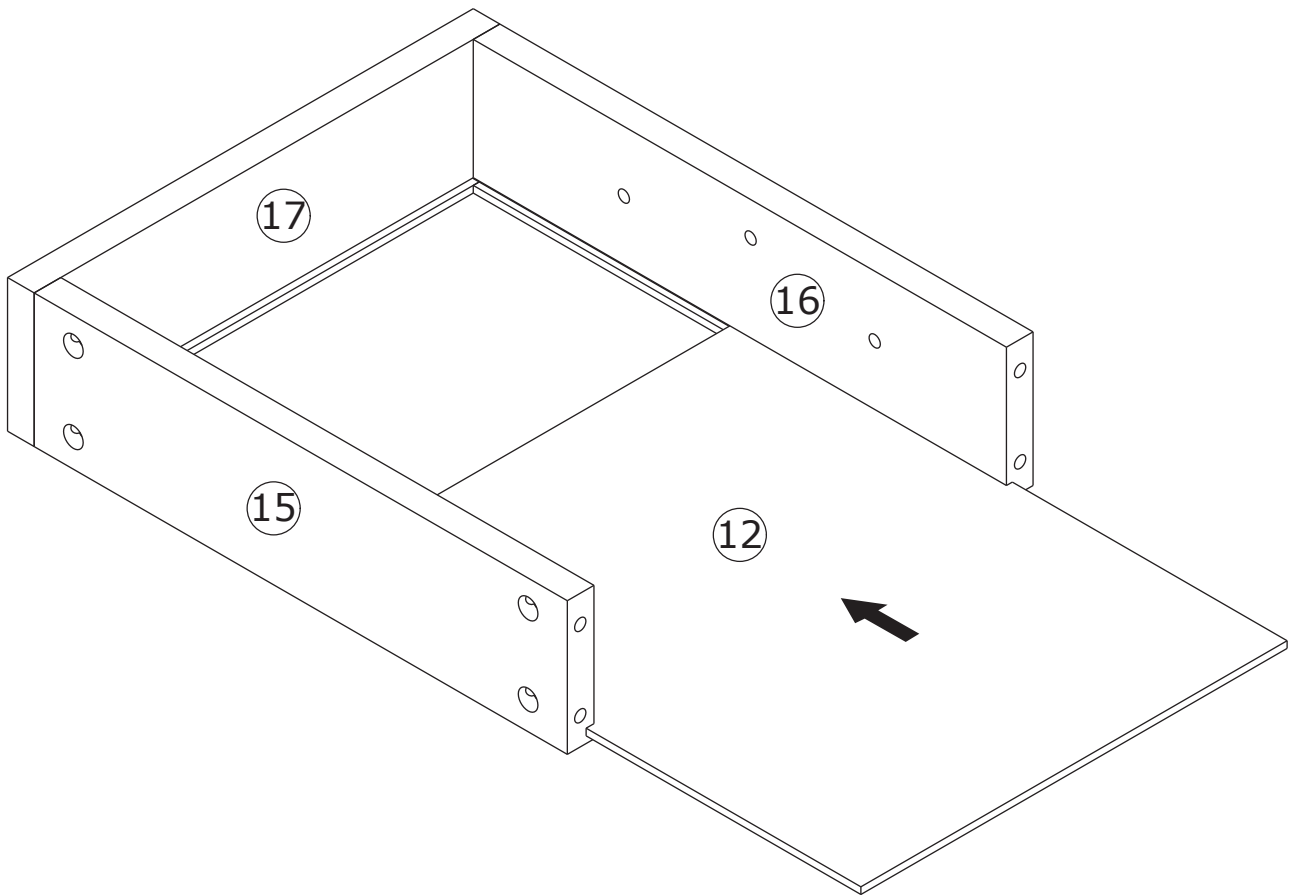
B x 4  
  
Ø15 x 11 mm



Attach board 15 and 16 to board 17, add cam lock(B) into and turn clockwise to tighten as shown.



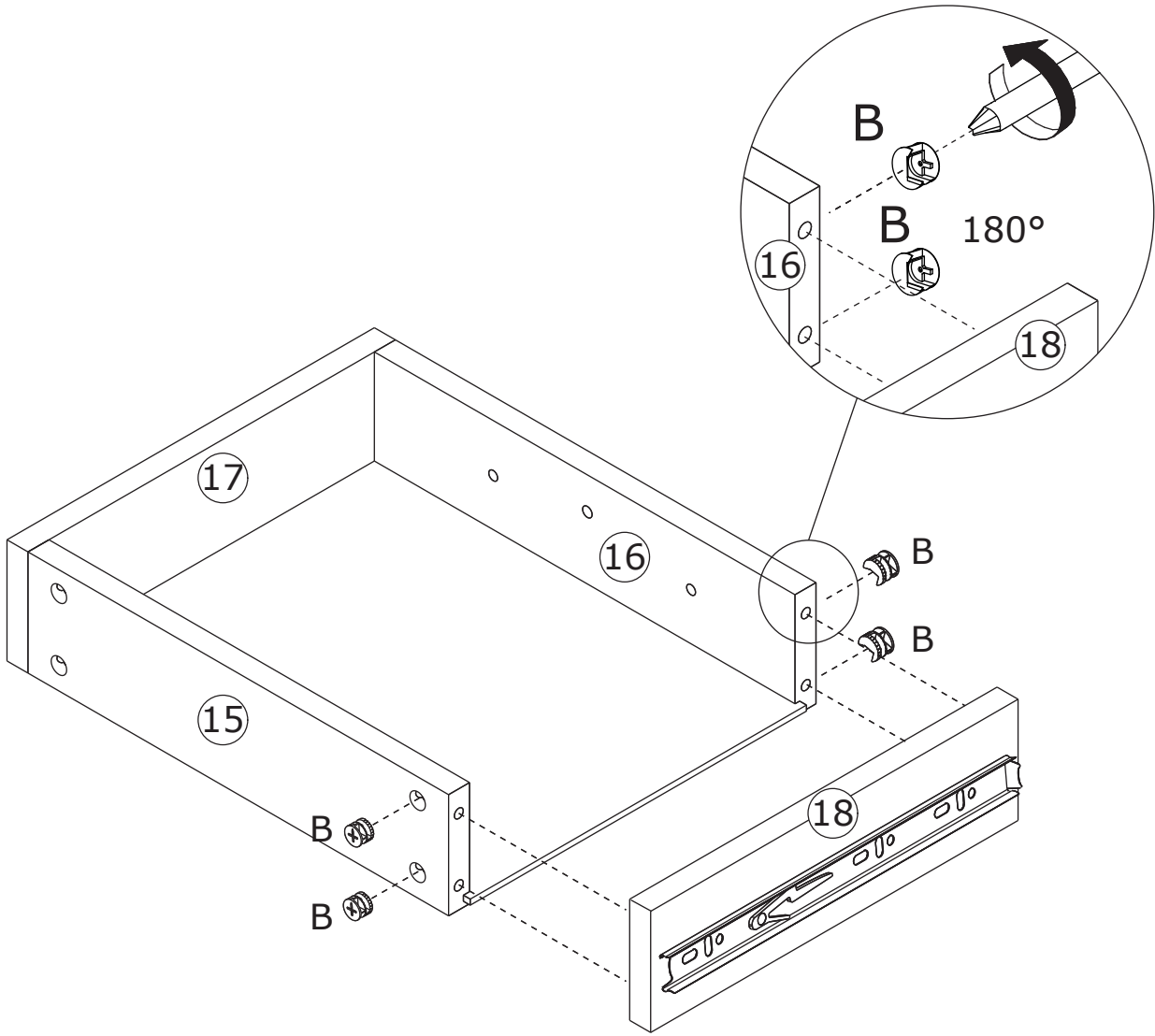
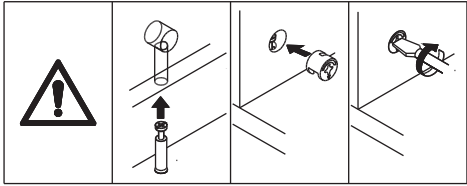
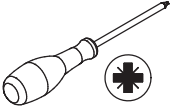
18



Insert bottom board 12 along grooves as shown.

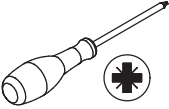
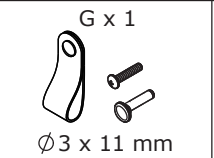
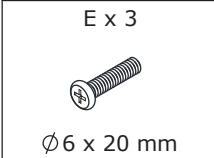
19

B x 4  
Ø15 x 11 mm

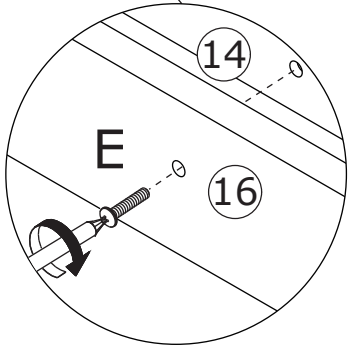
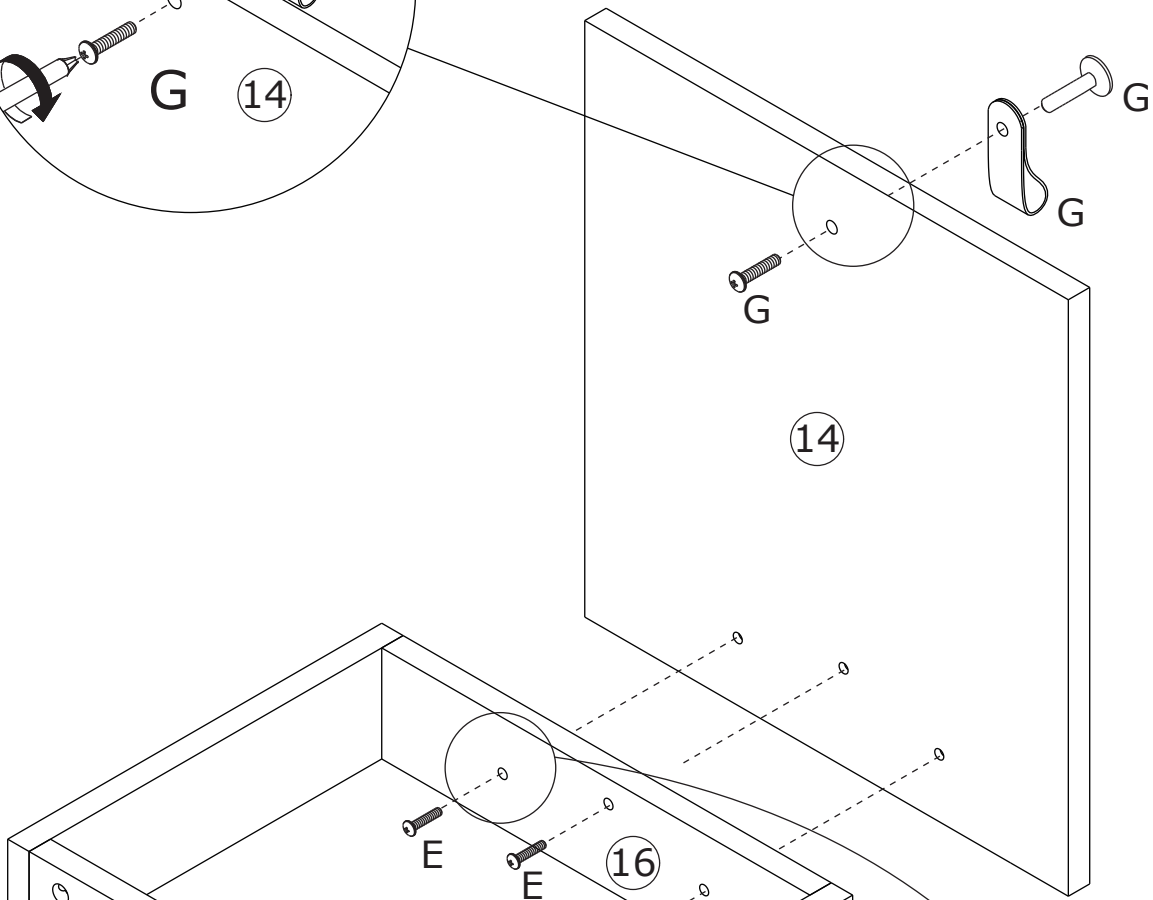
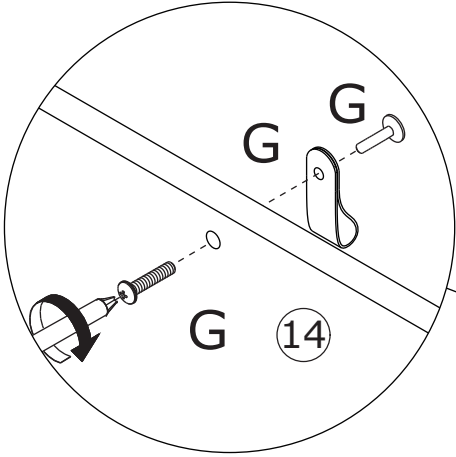


Attach board 18 to board 16 and 15, add cam lock(B) into and turn clockwise to tighten as shown.

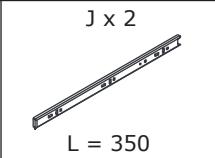
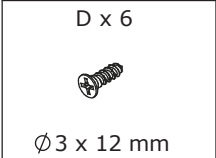
20



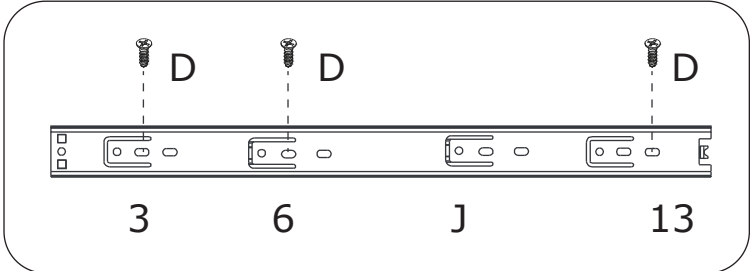
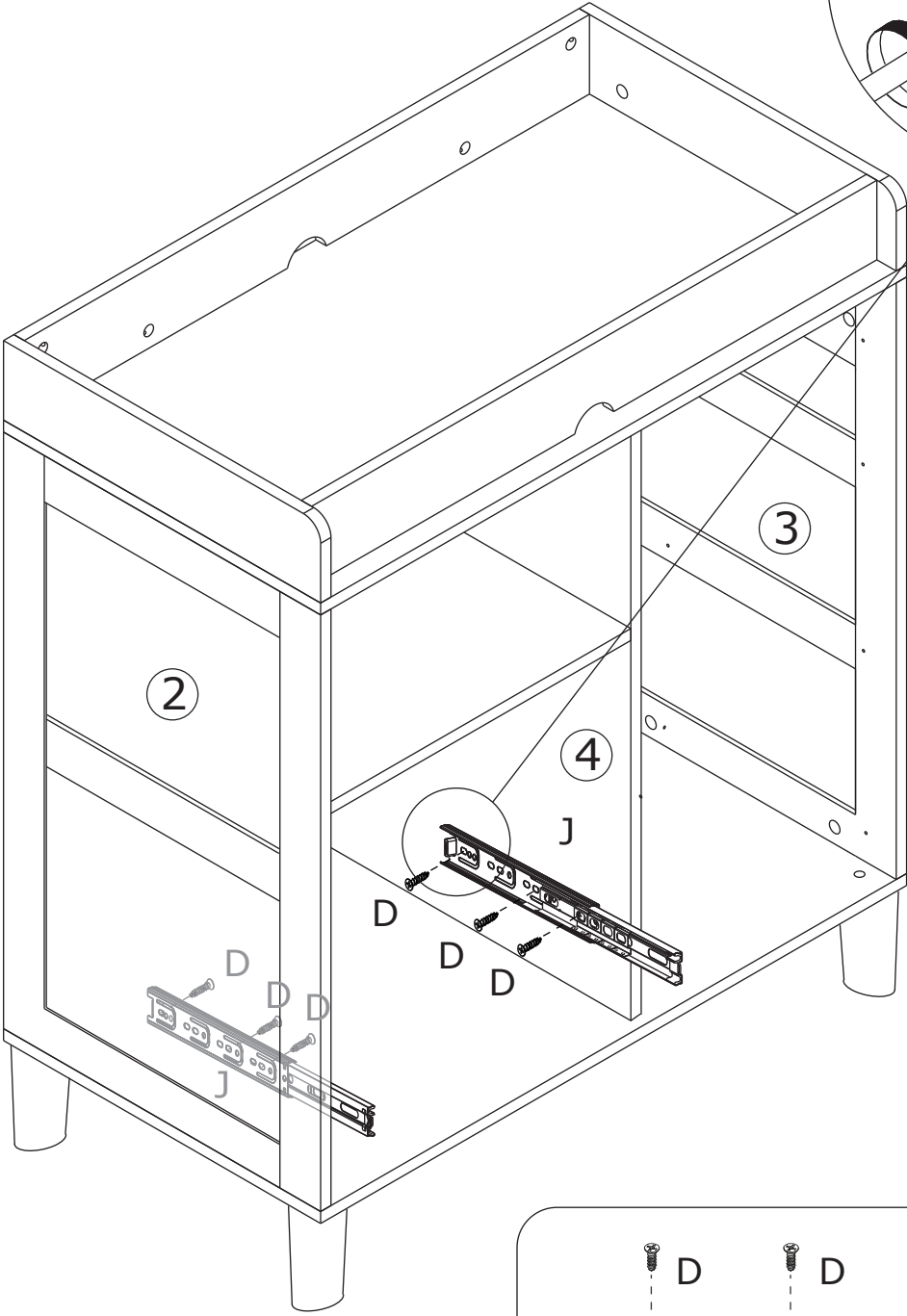
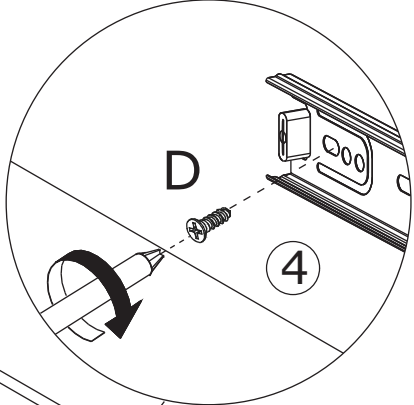
Fix board 14 to board 16 with screw(E) as shown.  
Fix pull(G) to board 14 as shown.



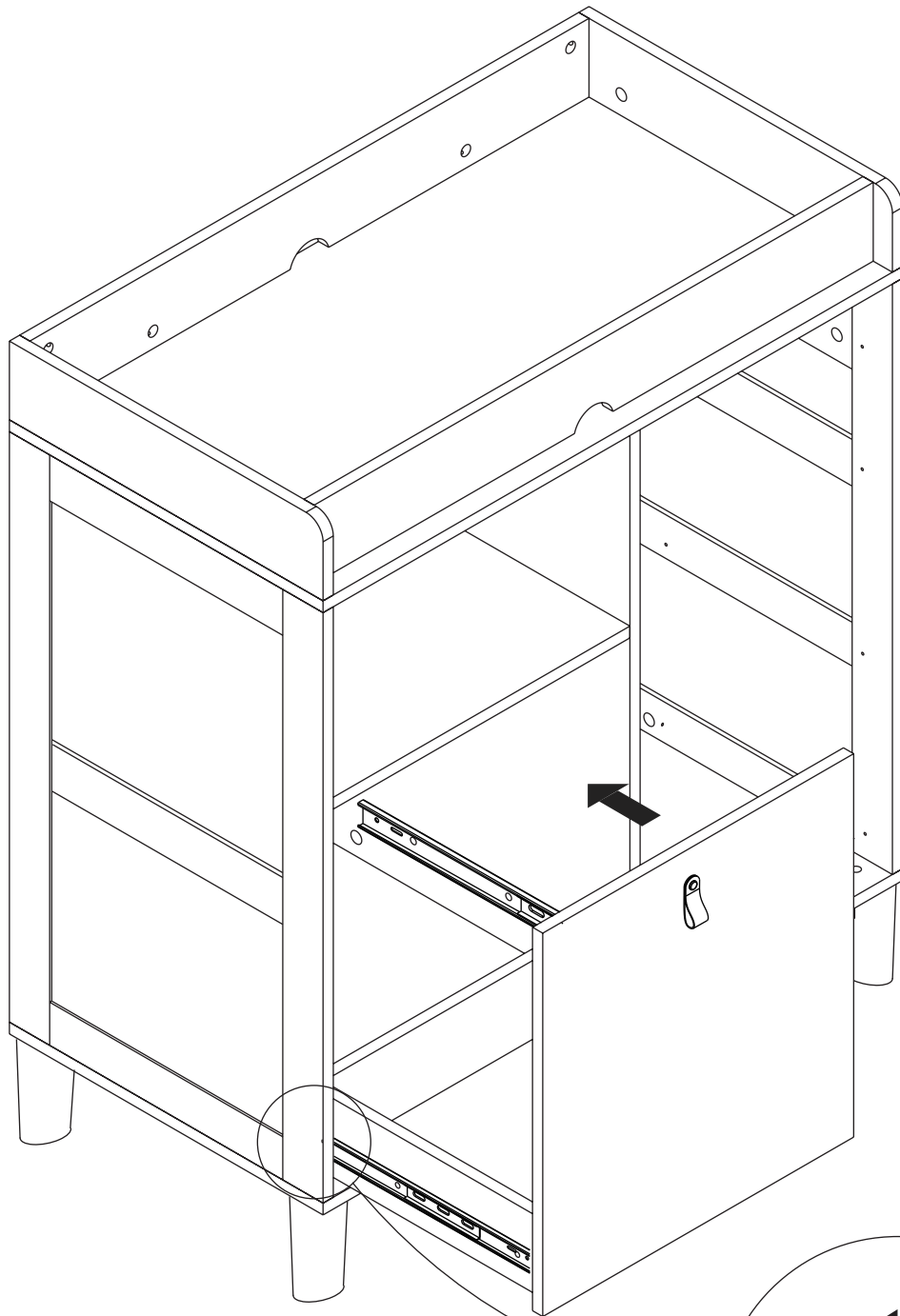
21



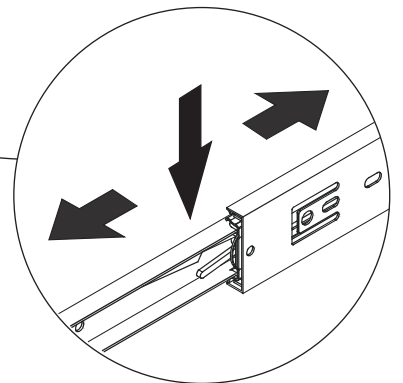
Fix rail(J) to bottom of board 2 and 4 with screw(D) as shown.





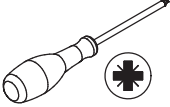
22



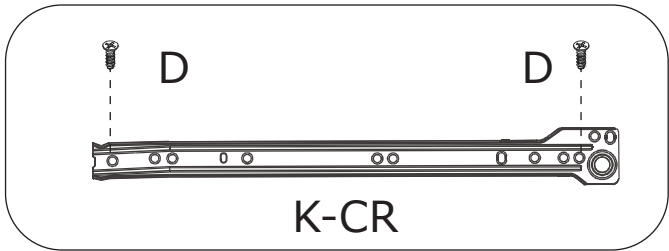
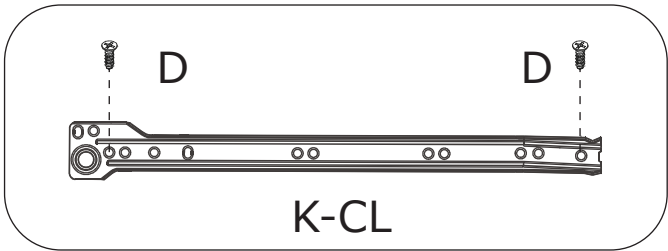
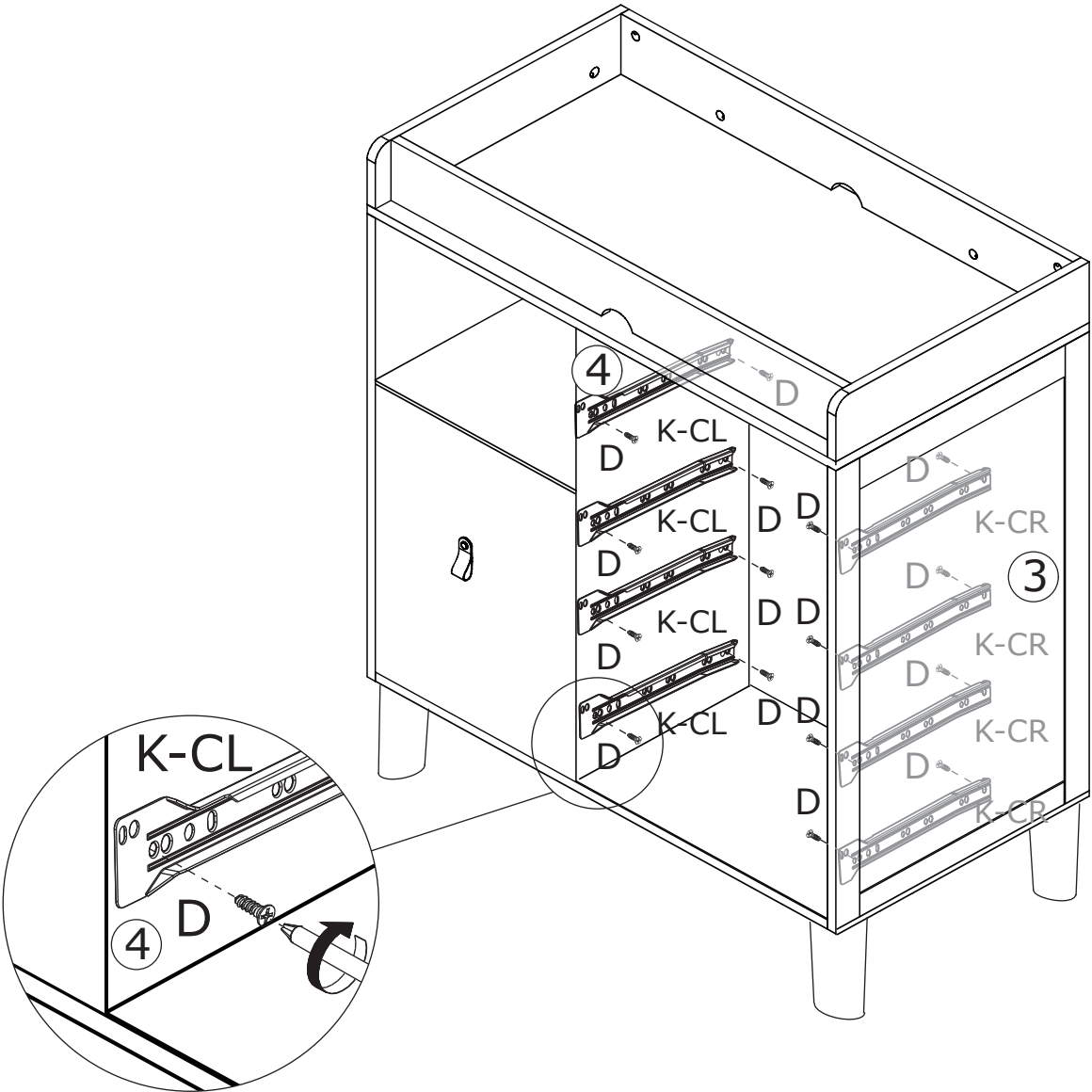
Align rails, insert drawer in.



23

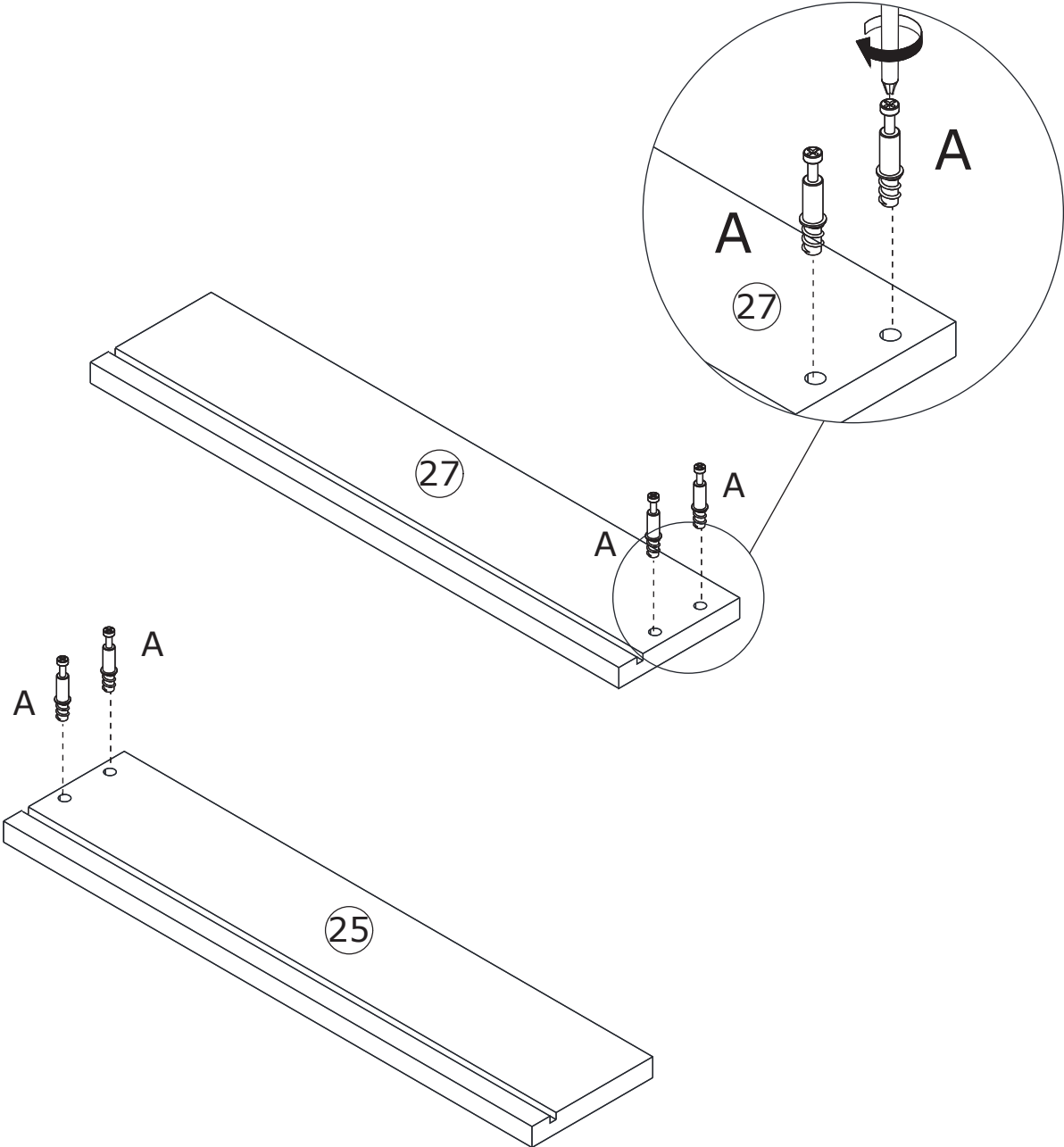
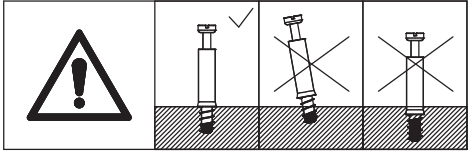
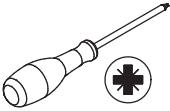
<p>D x 16</p>  <p>Ø 3 x 12 mm</p>	<p>K x 4</p>  <p>CL CR</p> <p>L = 350</p>	
--	--	---

Fix slide rail(k-CL) and (k-CR) to board 4 and 3 respectively with screw(D) as shown.



24

A x 8  
Ø5 x 31 mm

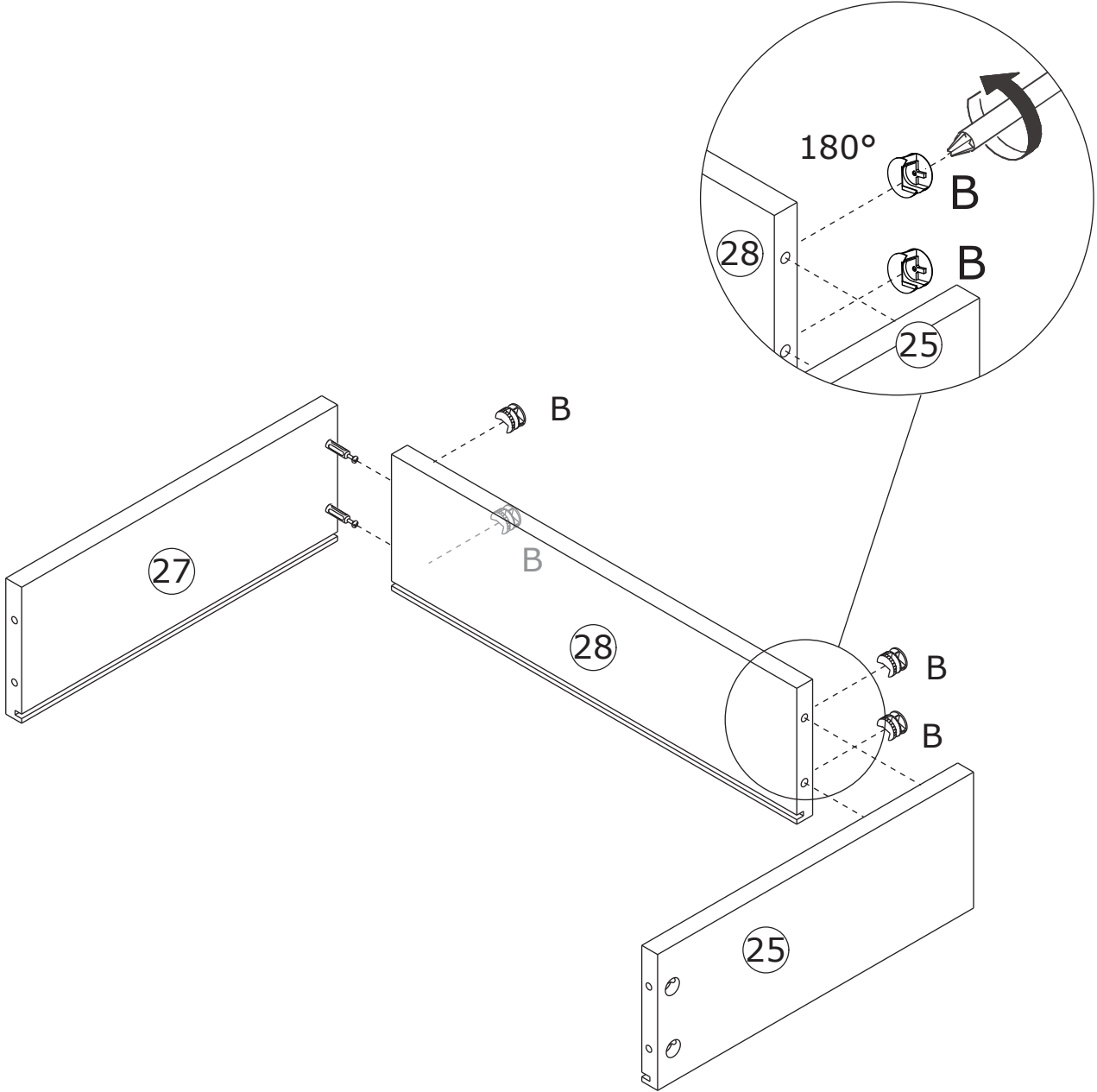
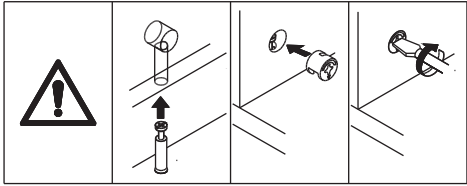
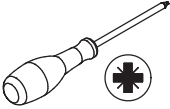


Screw eccentric rod(A) into board 25 and 27 as shown.

x 2

25

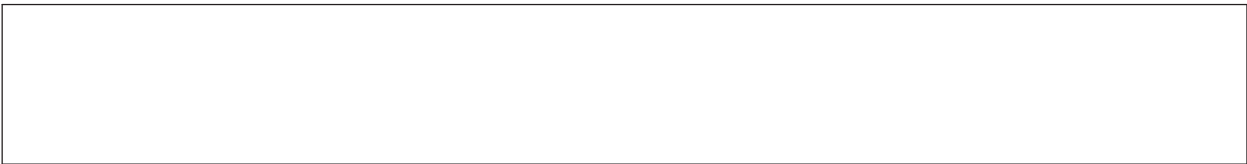
B x 8  
Ø15 x 11 mm



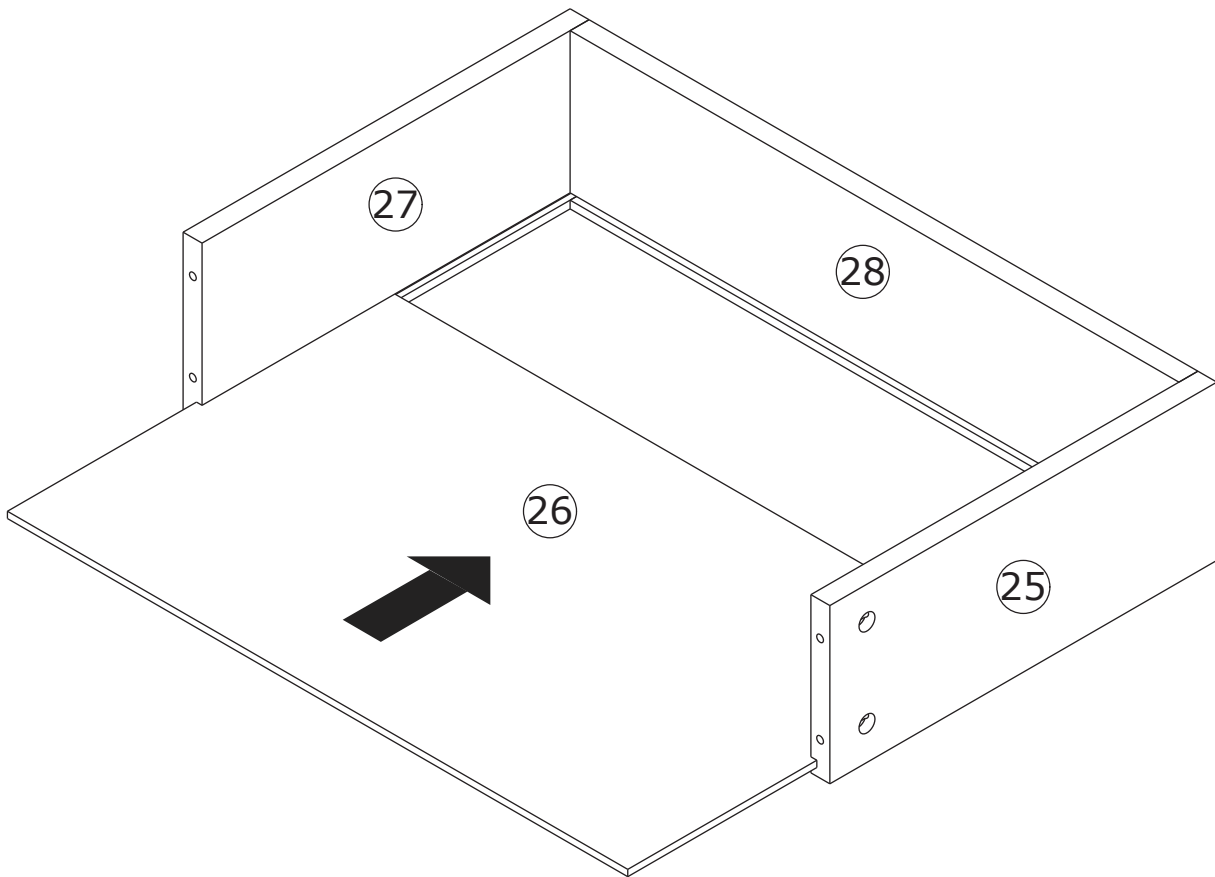
Attach board 28 to board 25 and 27, add cam lock(B) into and turn clockwise to tighten as shown.

x 2

26



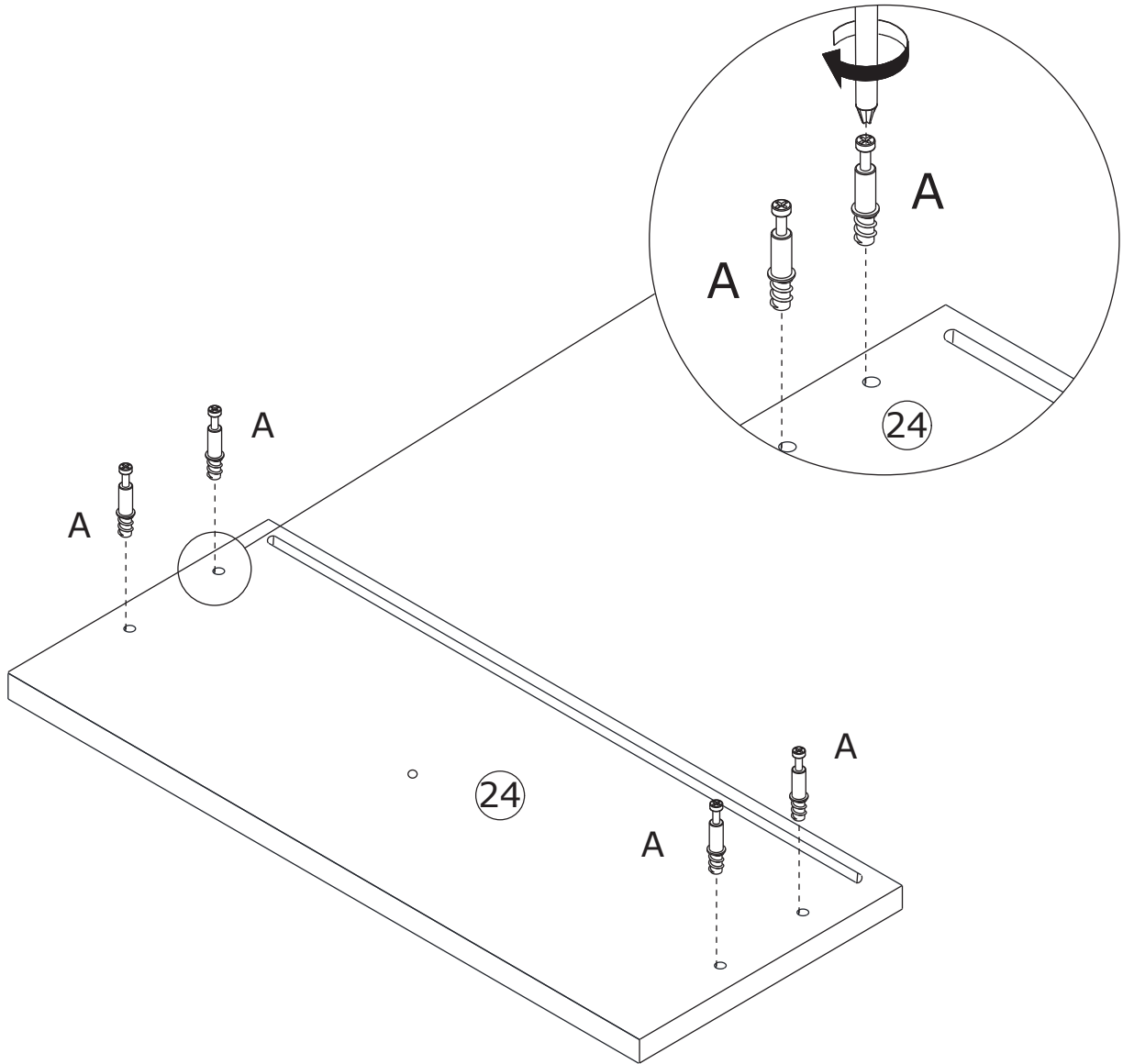
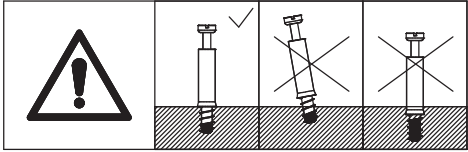
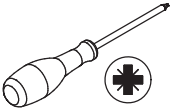
Insert bottom board 26 along grooves as shown.



x 2

27

A x 8  
Ø5 x 31 mm



Screw eccentric rod(A) into board 24 as shown.

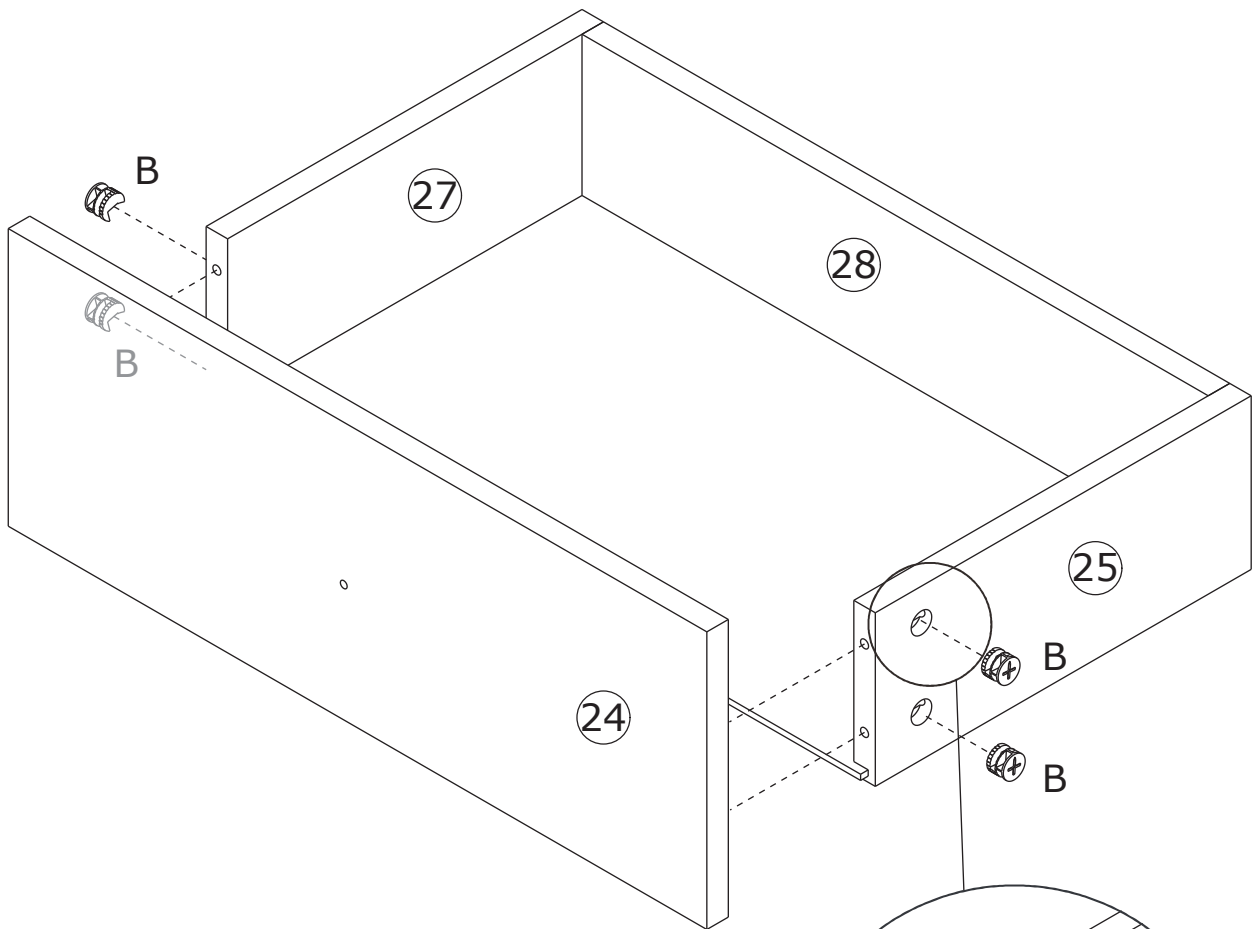
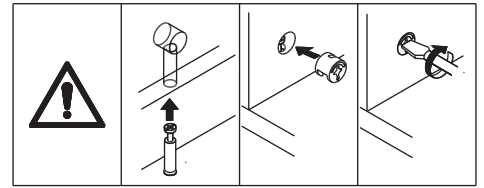
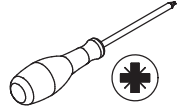
x 2

28

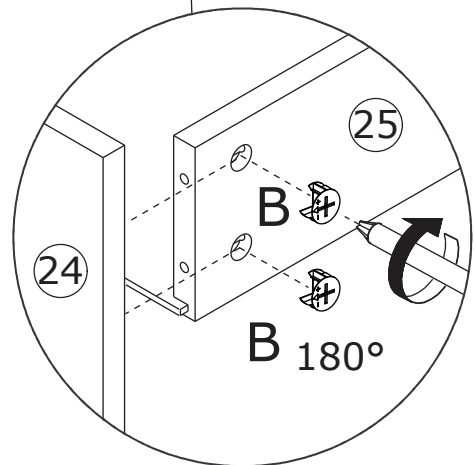
B x 8



Ø15 x 11 mm

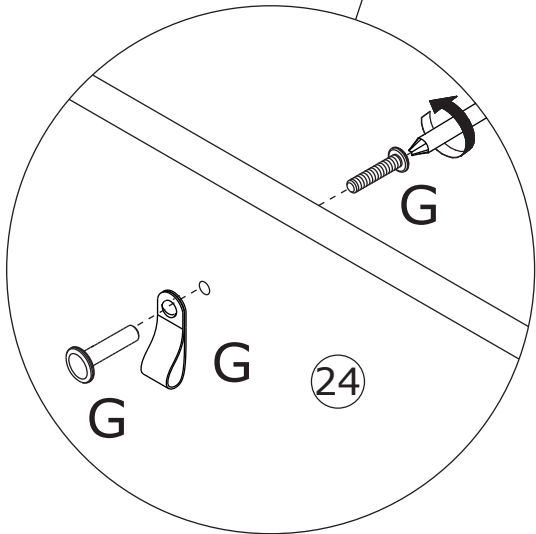
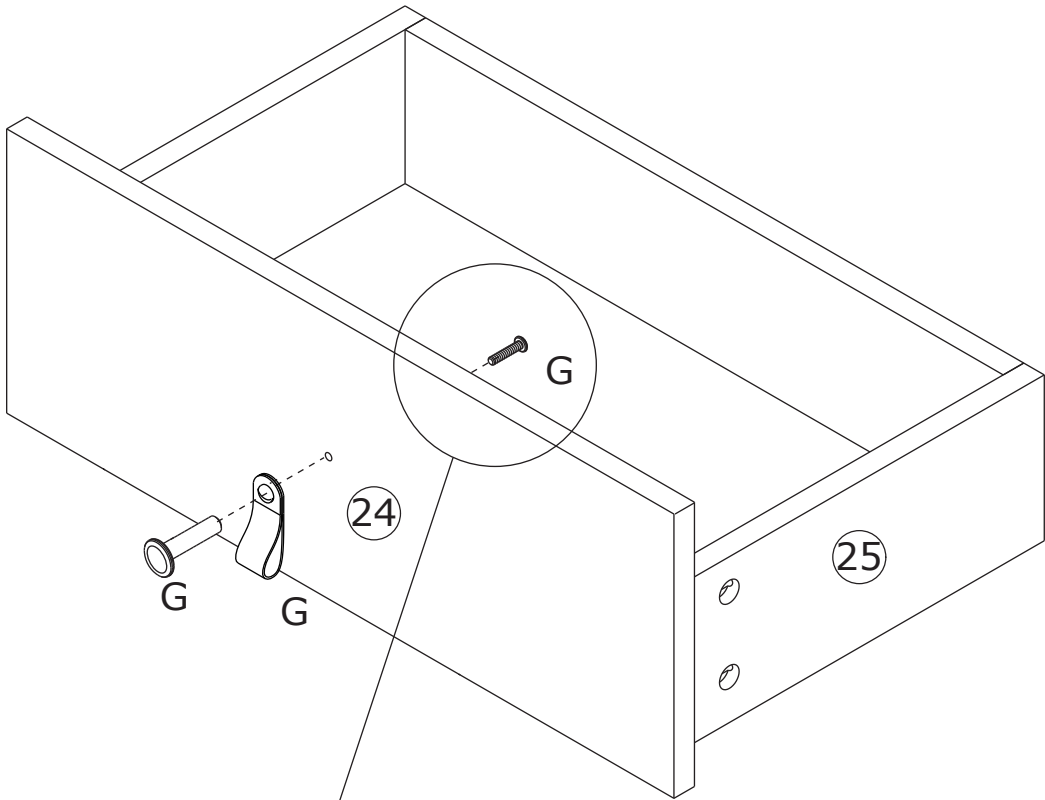
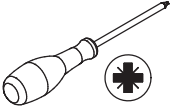


Attach board 24 to board 25 and 27,  
add cam lock(B) into and turn clockwise  
to tighten as shown.



x 2

29

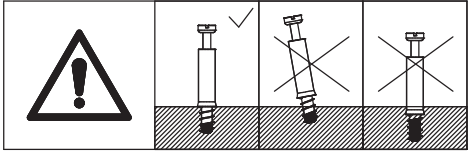
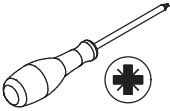
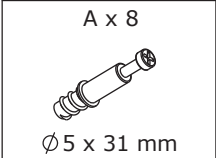


Fix pull(G) to board 24 as shown.

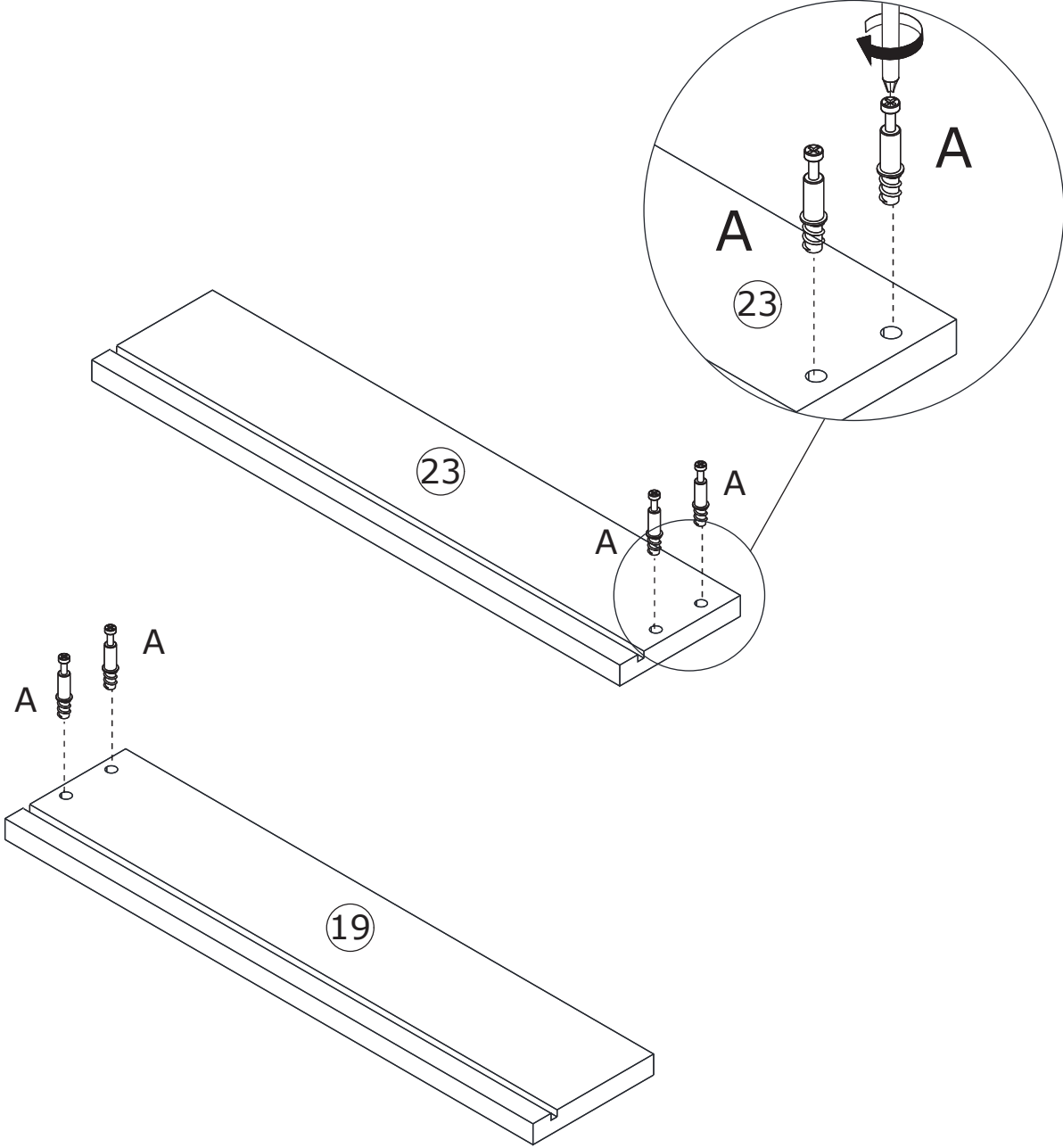
x 2



31




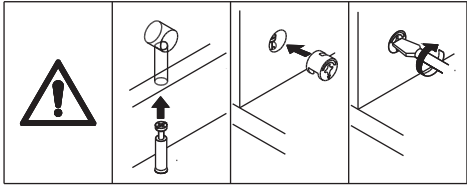
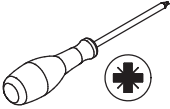
Screw eccentric rod(A) into board 19 and 23 as shown.



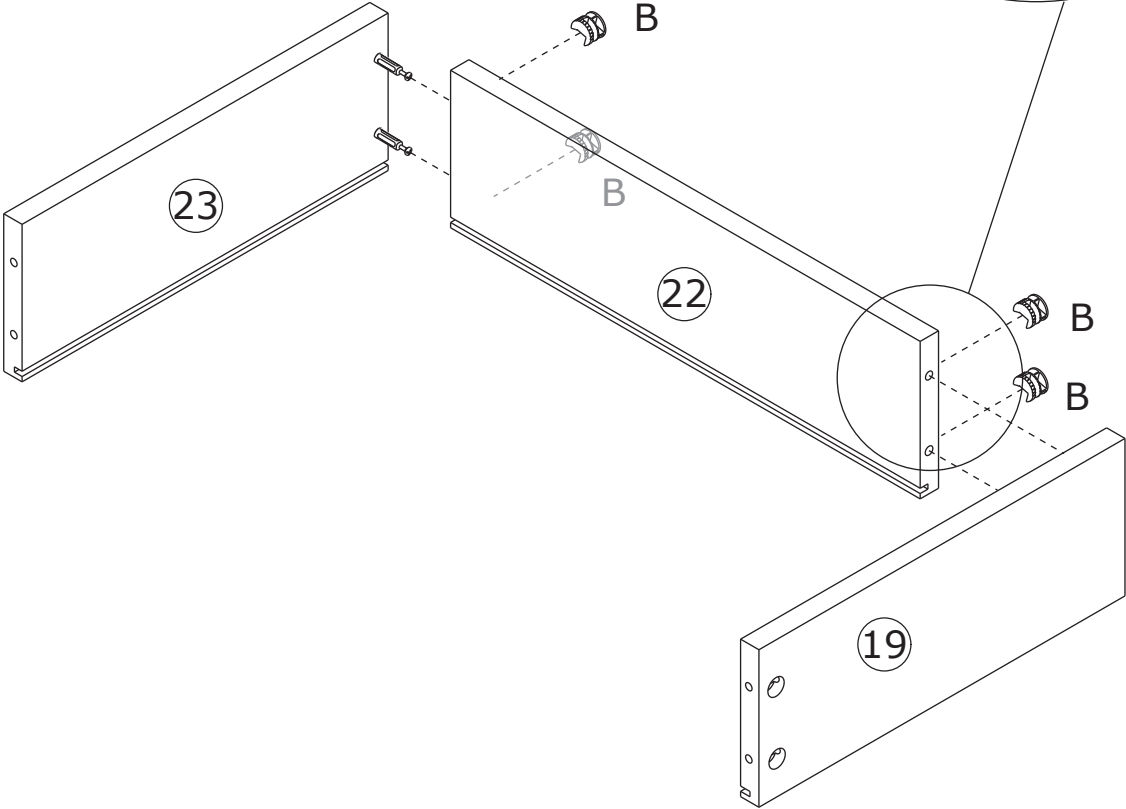
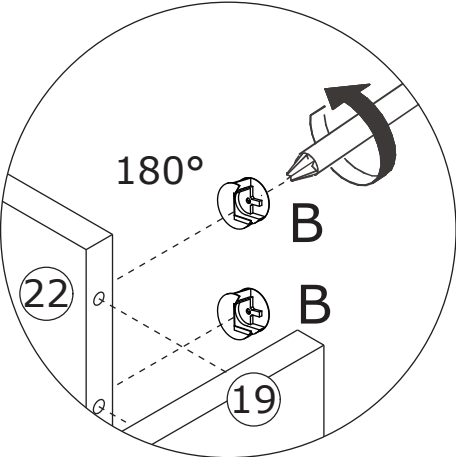
x 2

32

B x 8  
  
Ø15 x 11 mm



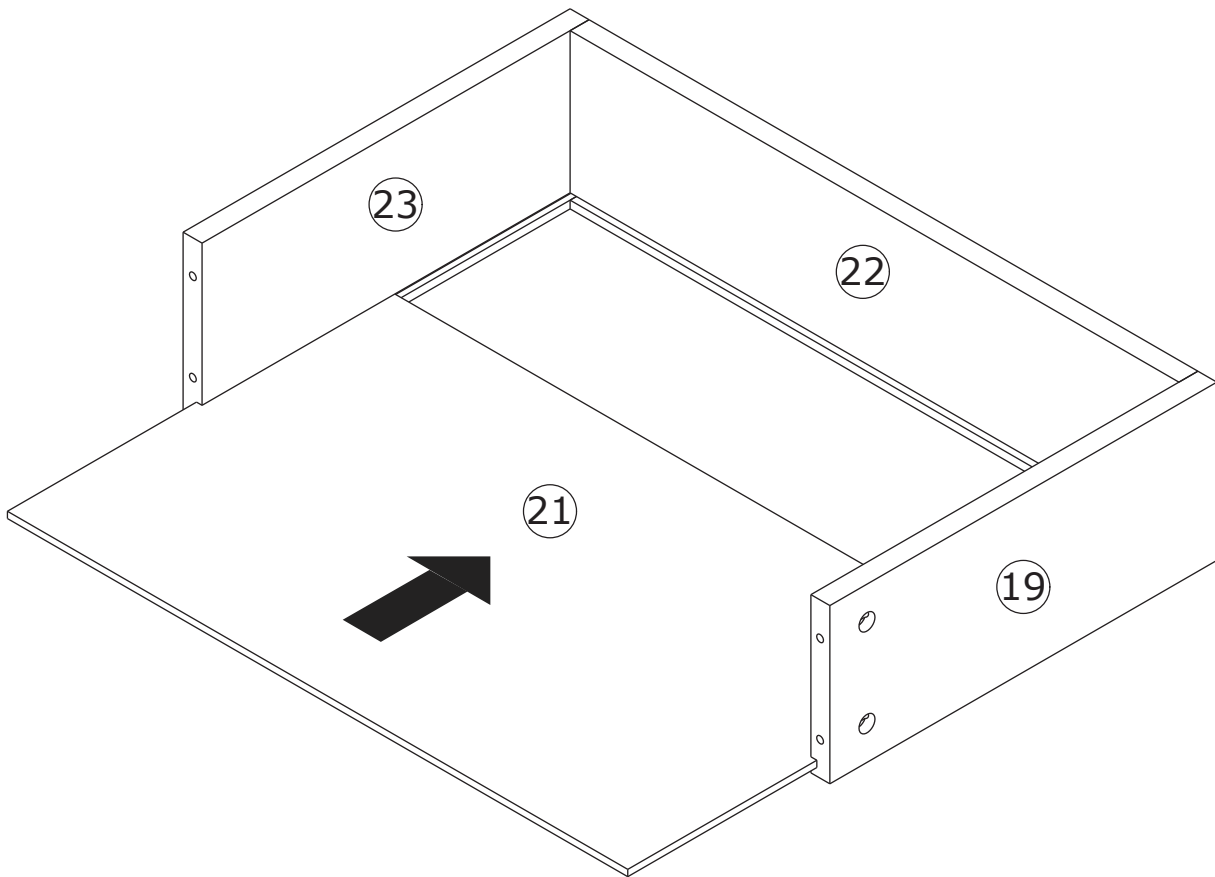
Attach board 22 to board 19 and 23,  
add cam lock(B) into and turn  
clockwise to tighten as shown.



x 2

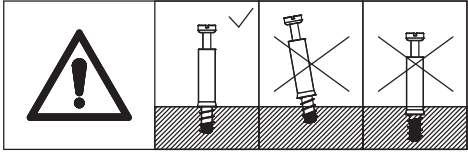
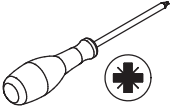
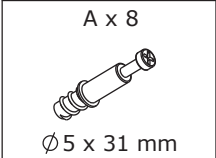
33

Insert bottom board 21 along grooves as shown.

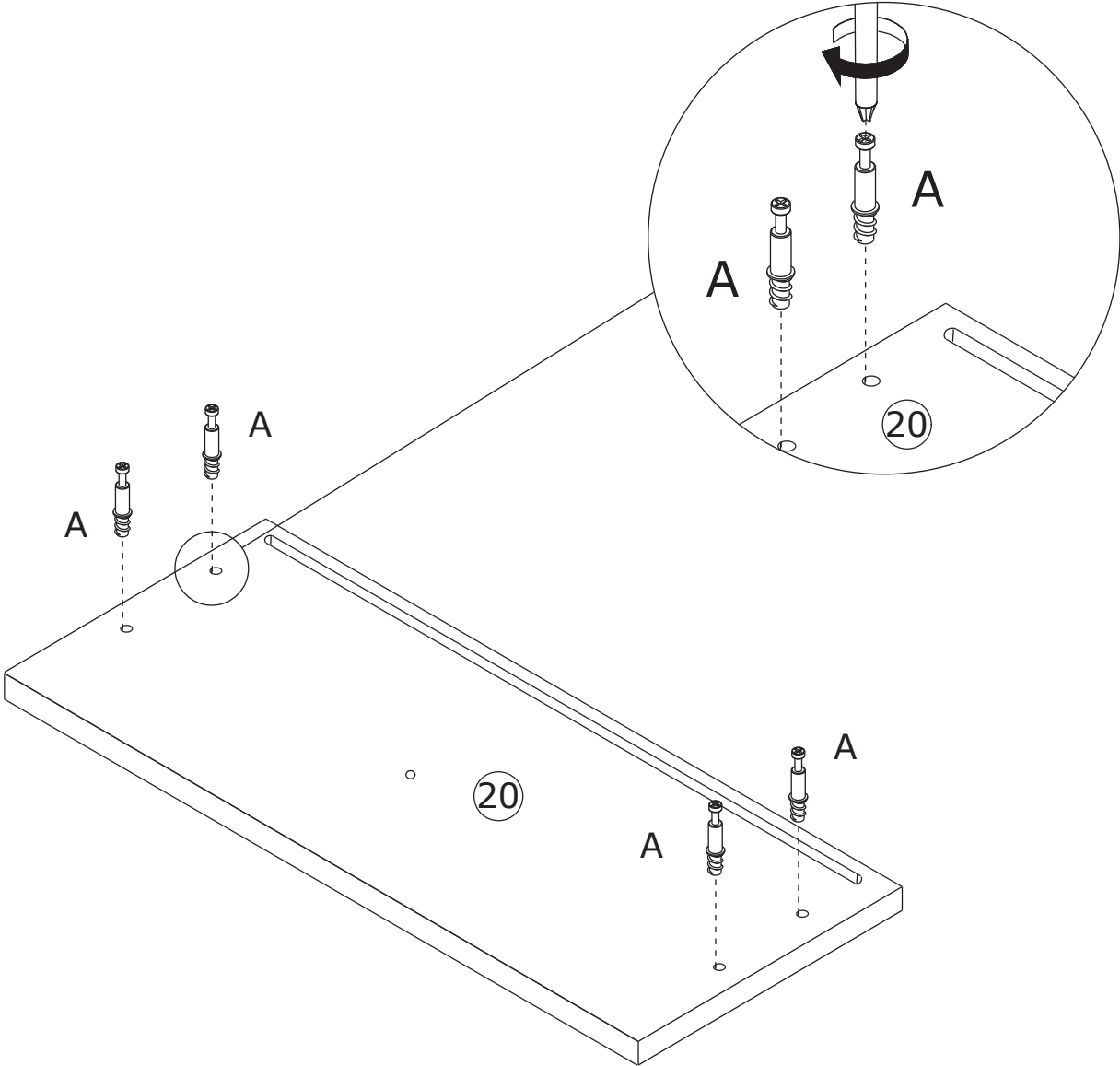


x 2

34



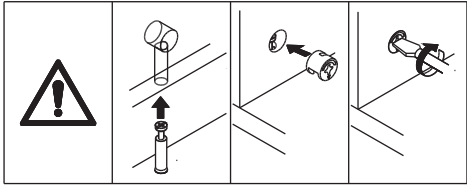
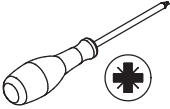
Screw eccentric rod(A) into board 20 as shown.



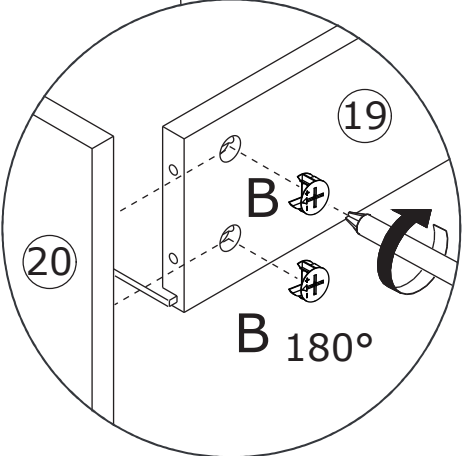
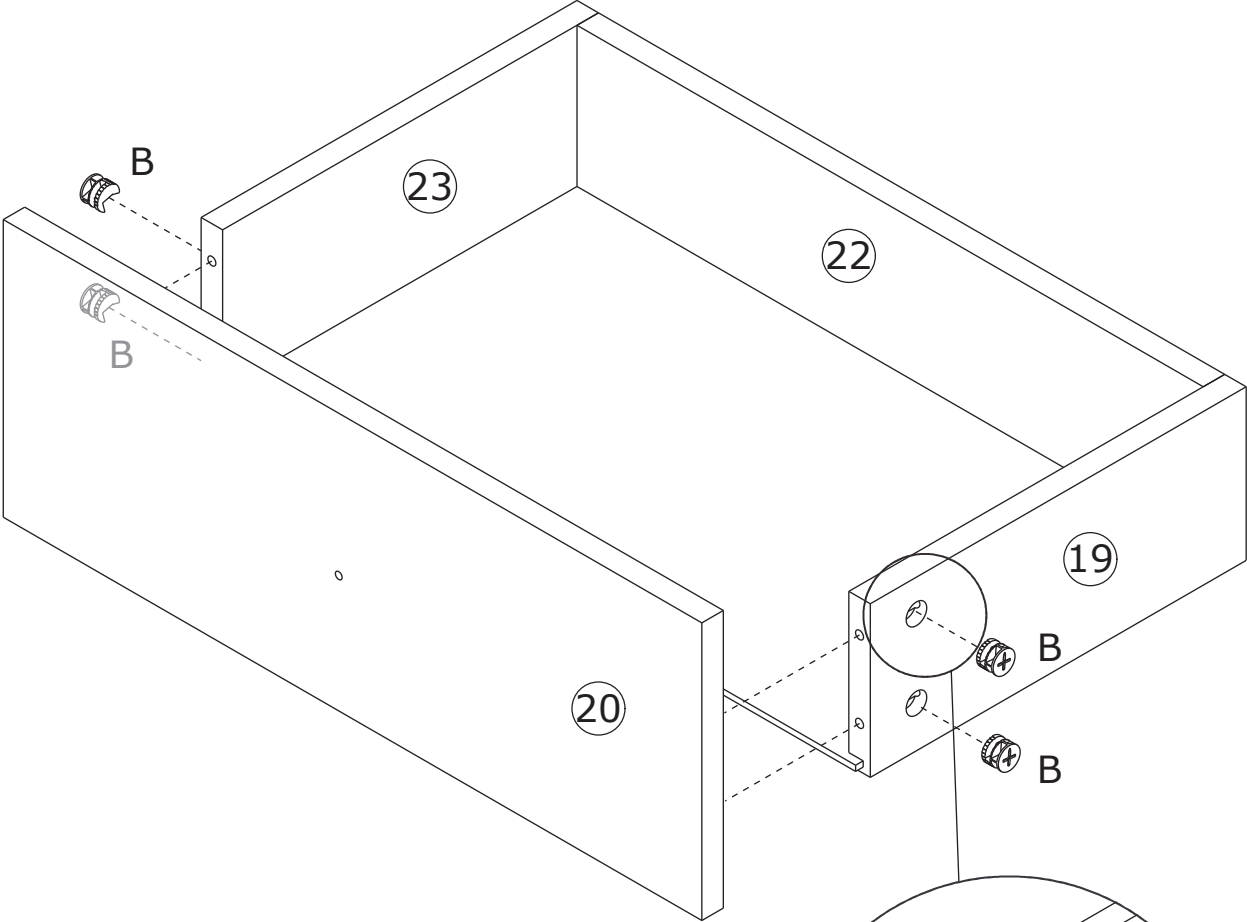
x 2

35

B x 8  
Ø15 x 11 mm

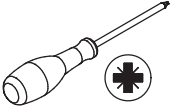


Attach board 20 to board 19 and 23, add cam lock(B) into and turn clockwise to tighten as shown.

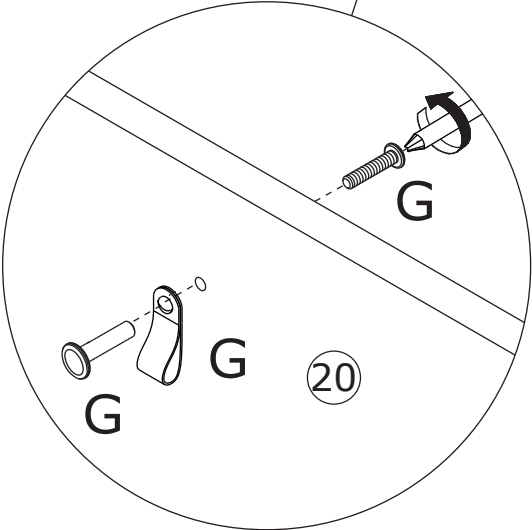
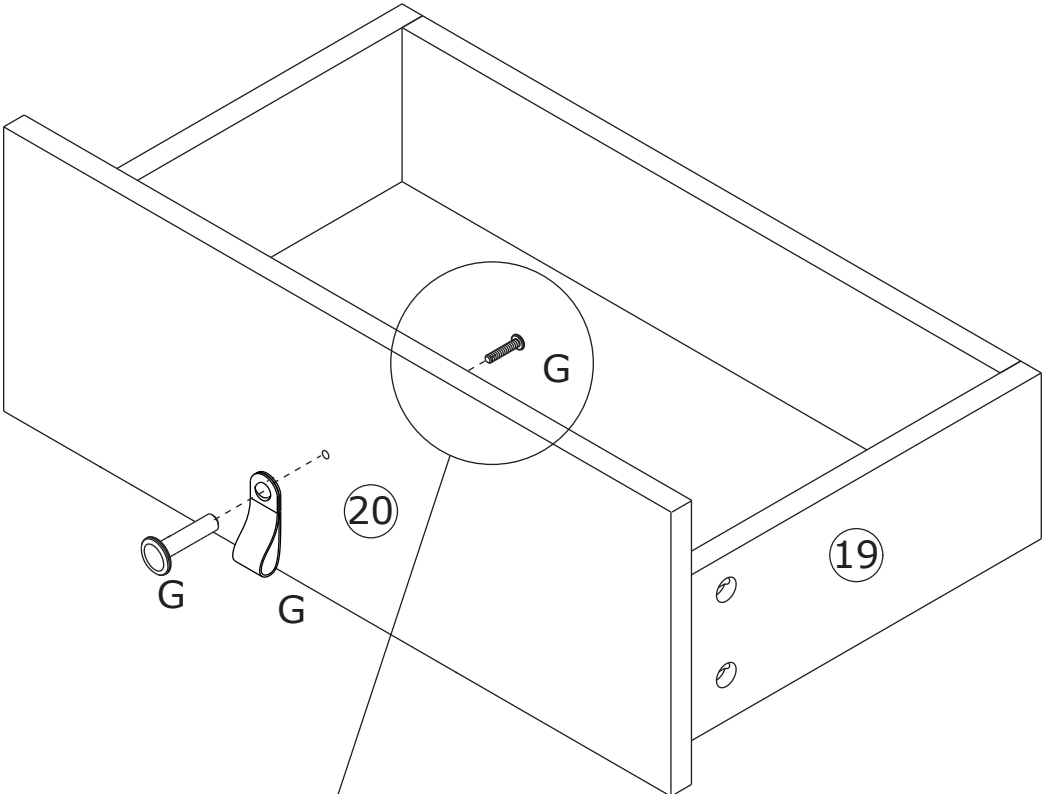


x 2

36



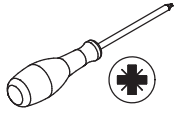


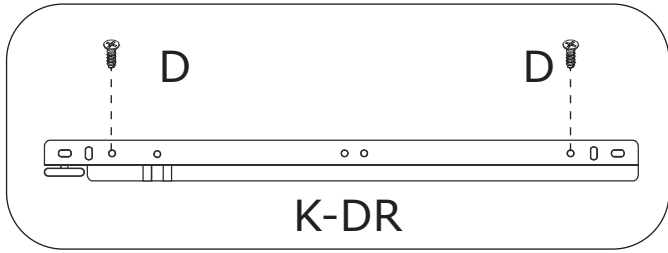
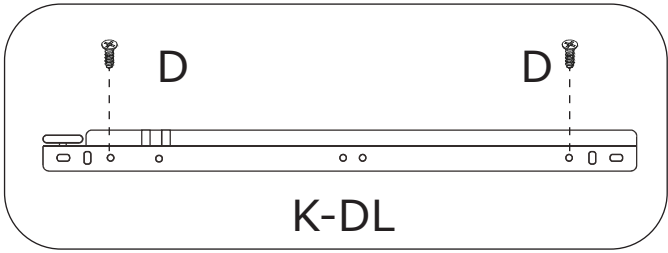
Fix pull(G) to board 20 as shown.



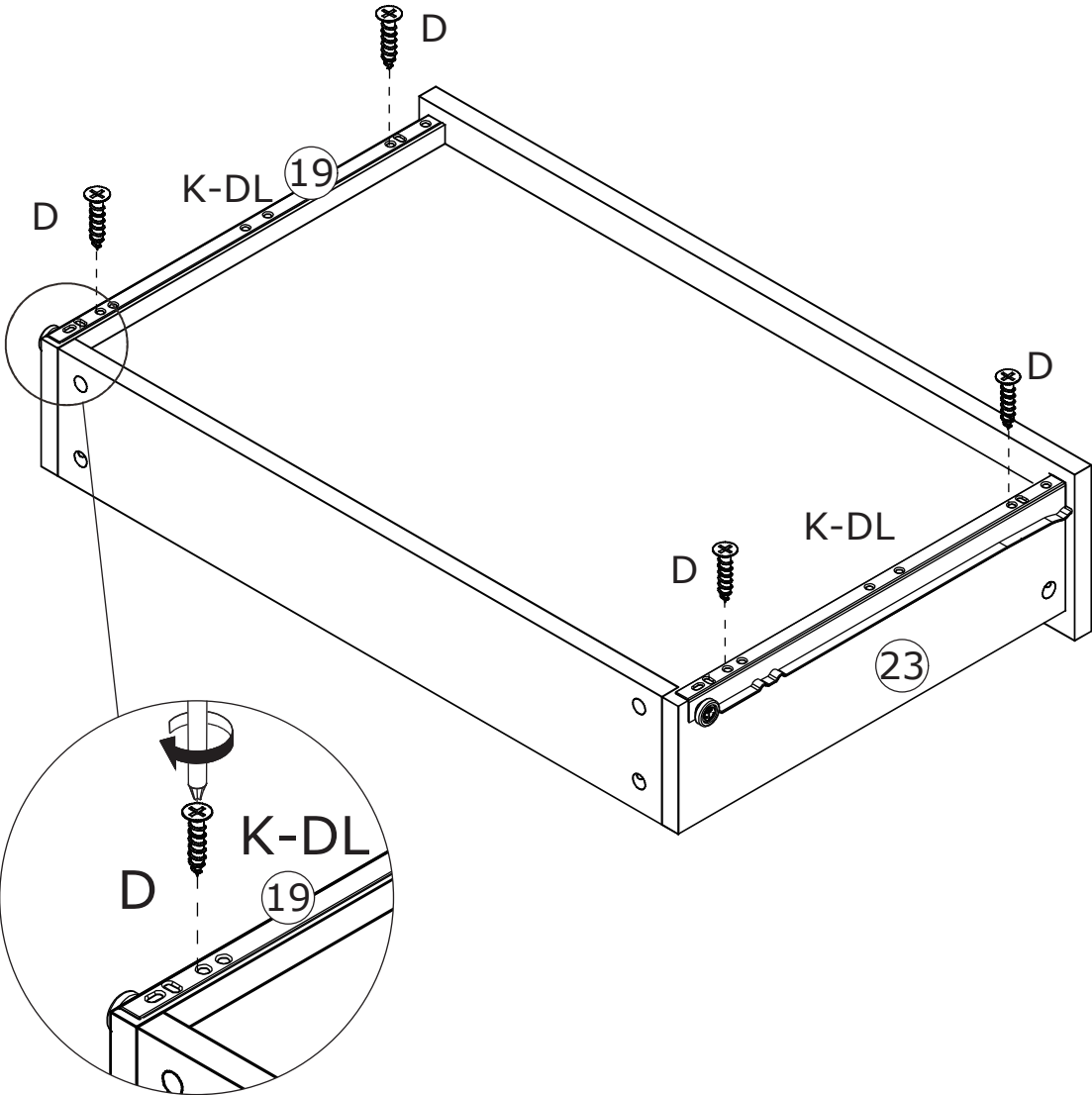
x 2

37

<p>D x 8</p>  <p>Ø3 x 12 mm</p>	<p>K x 2</p>  <p>DL L = 350</p>	
--	--	---



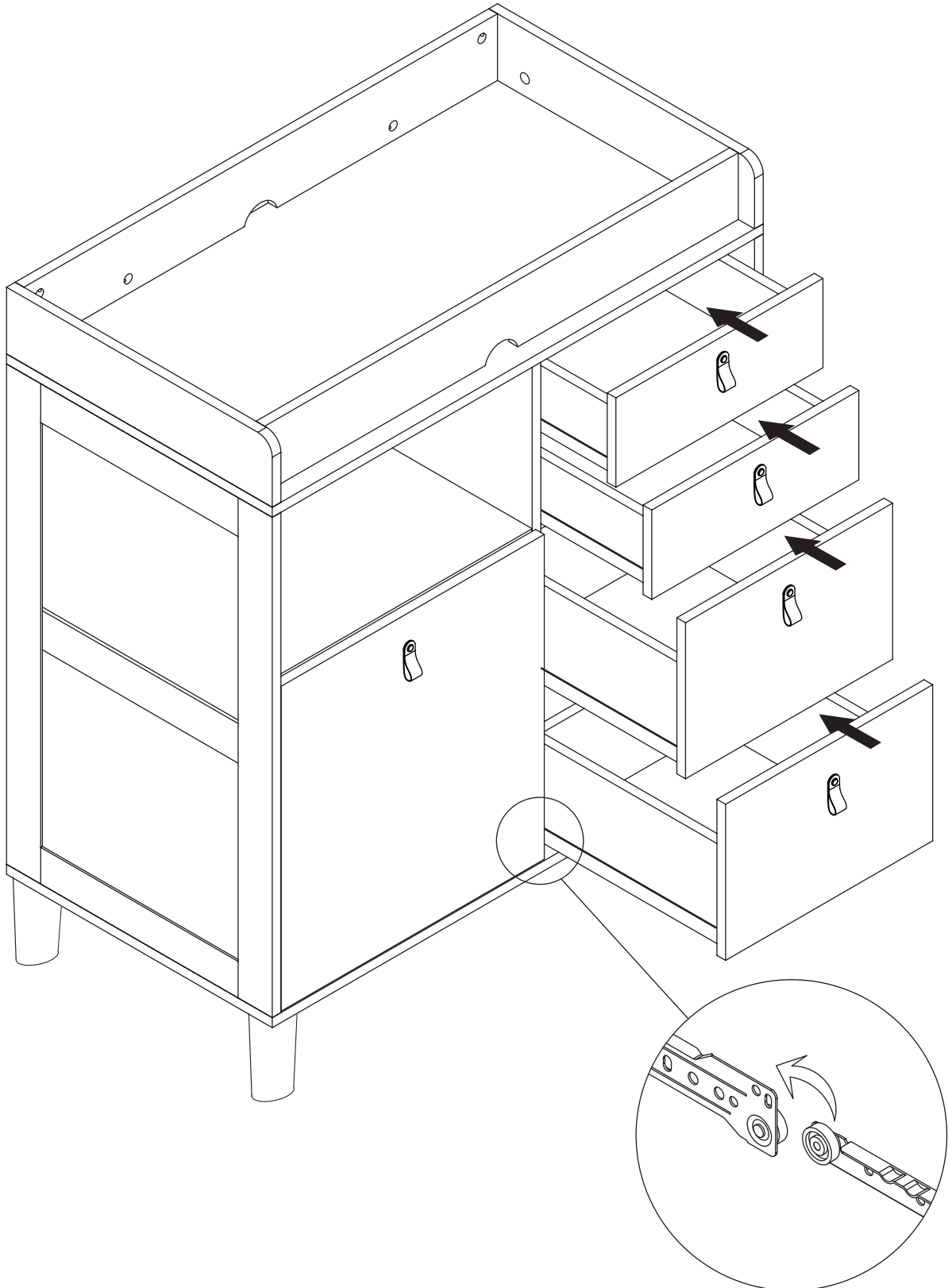
Fix runner(K-DL) and (K-DR) to board 19 and 23 respectively with screw(D) as shown.



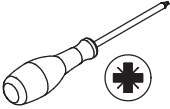
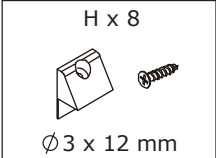
x 2

38

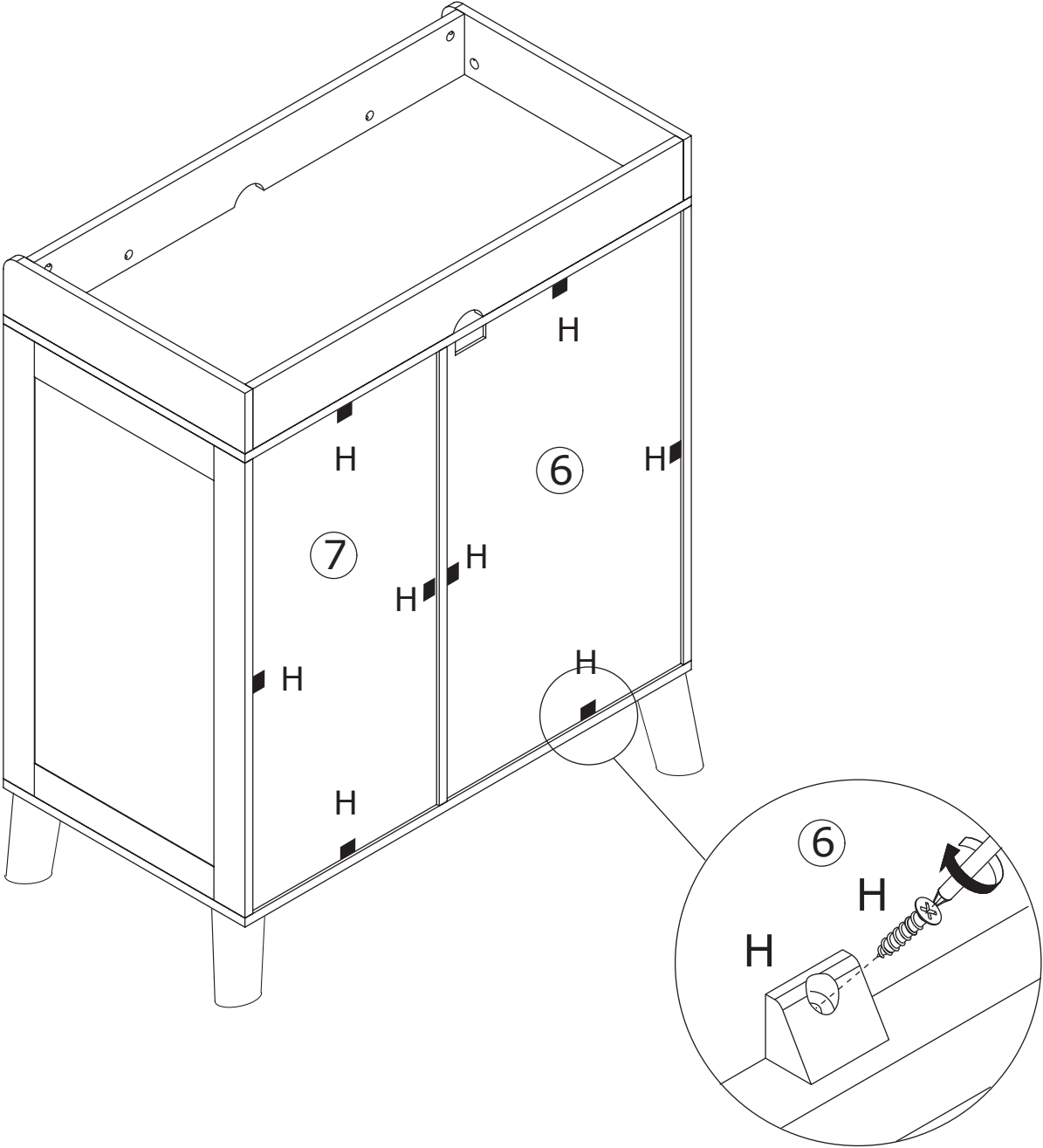
Align rails, insert all drawers in.



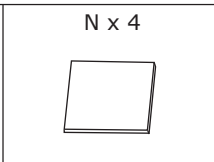
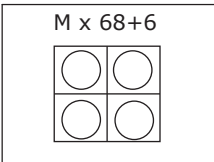
39



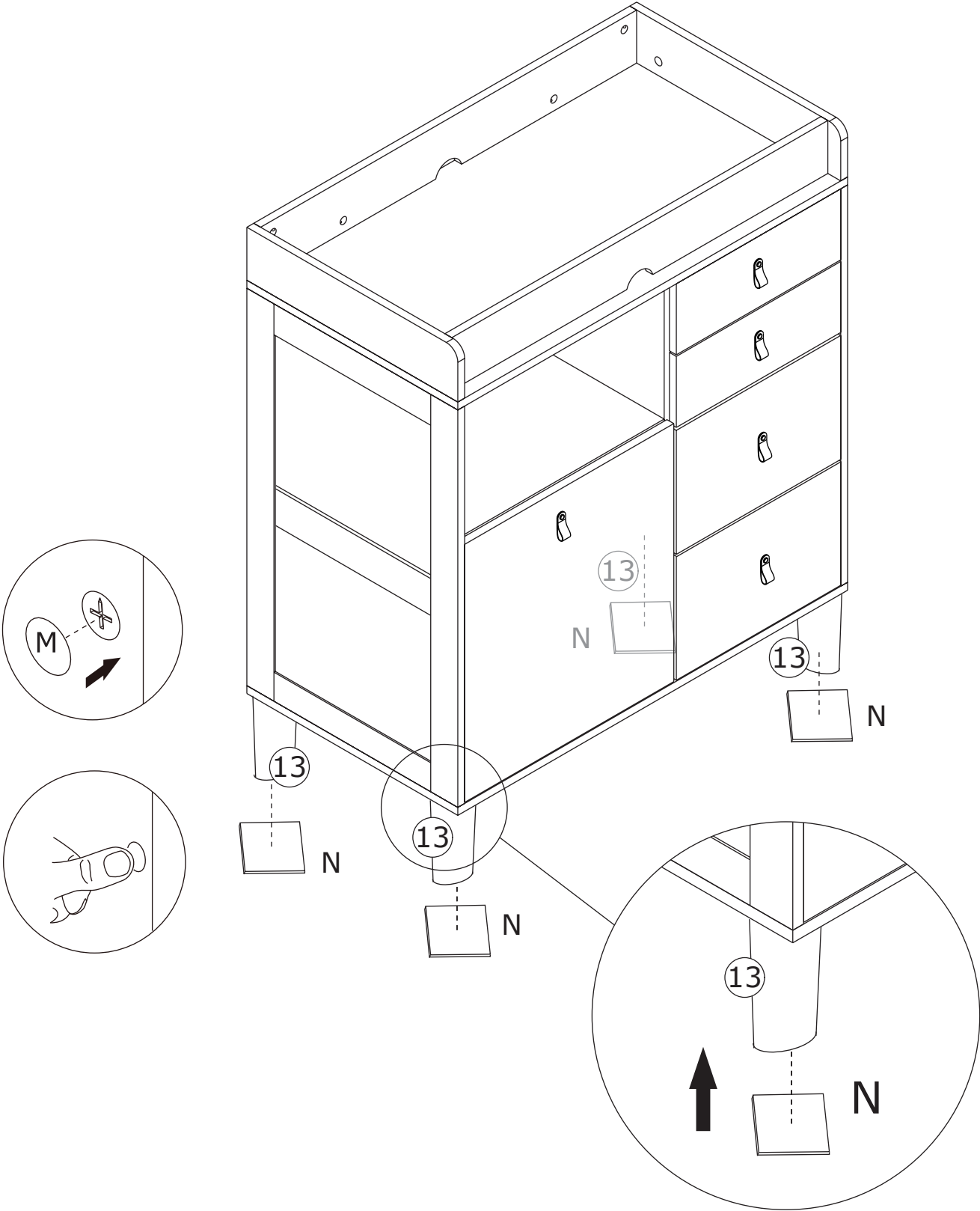
Insert buckle(H) into back slots and fix to tighten as shown.



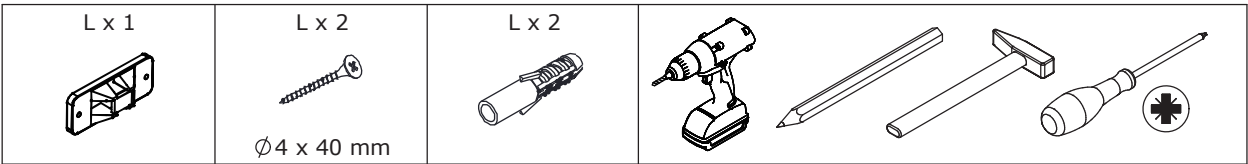
40



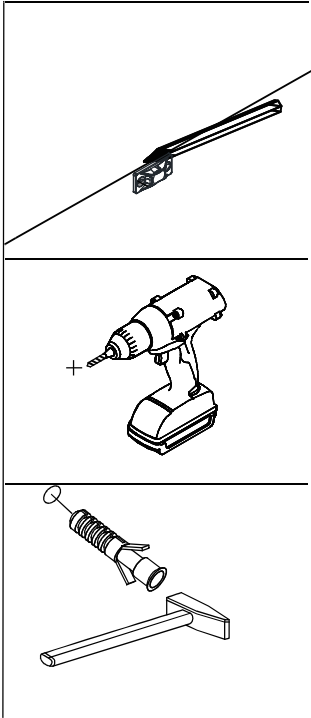
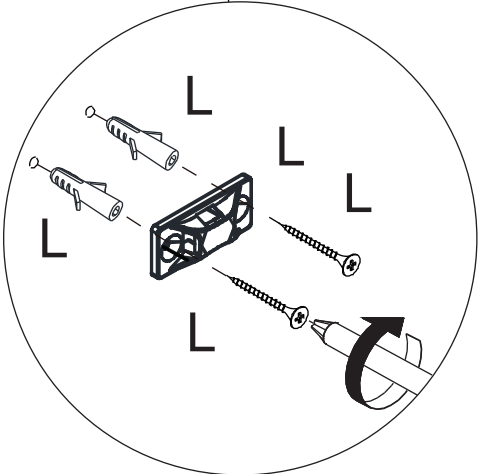
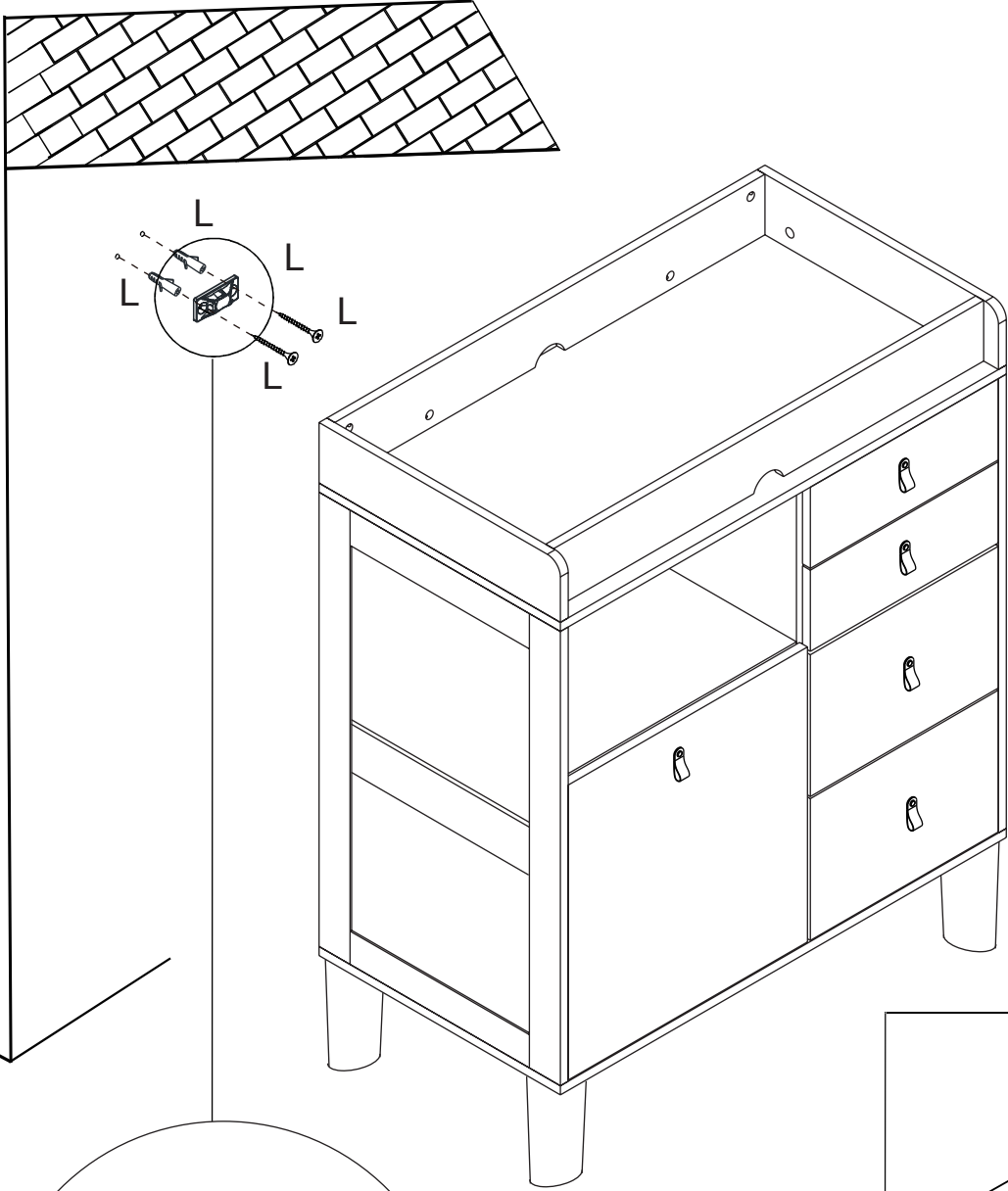
Use sticker(M) to cover cam lock holes.



41



Drill holes on your wall, knock part(L) into.



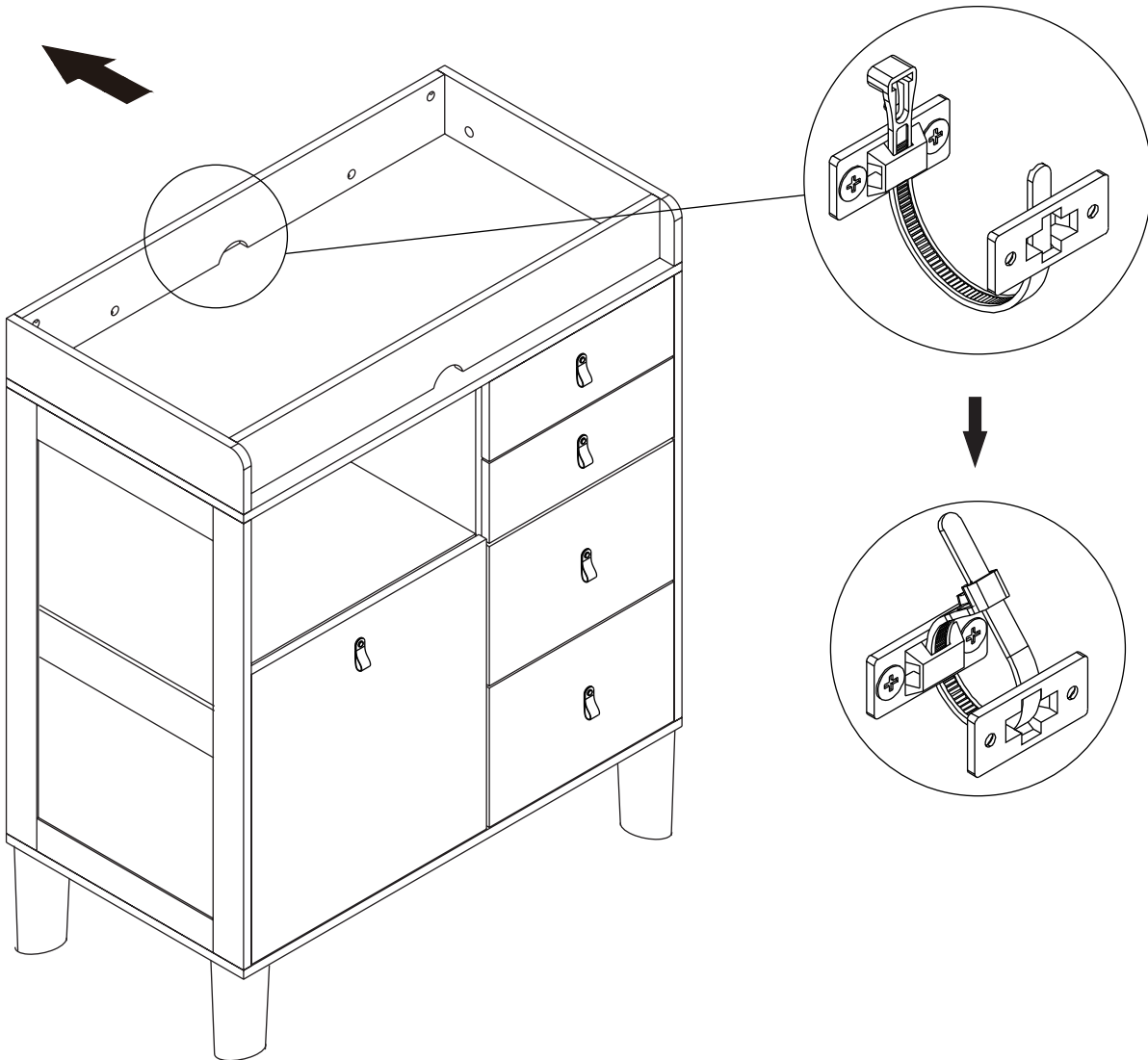
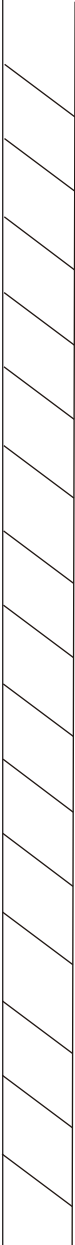
42

L x 1



WALL

Install anti-tipping device as shown.



# WARRANTY

## WARRANTY CLAIMS

- There is a 30-day warranty for broken furniture or any other problems that do not work properly. The warranty will start from the date of purchase which must be verified by proof of purchase.
- Before making a claim, we may be able to answer your query, simply call us. Please leave your purchase order number, along with some details of the problem, if you want a replacement part. We will arrange within 48 hours. If there is out of stock, we will reply with a shipping date.
- The product must be used in accordance with the instructions provided. For health reasons.
- For other reasons, if the furniture needs to be returned, it must be cleaned and dried and operated within 30 days of receipt.

## Type of Warranty Claim

- Failure to follow the furniture instructions will invalidate the warranty. Attention please.
- Does not include damage during installation, but includes damage during transportation.

## Scope of responsibility

- Shall not bear any responsibility for misuse or user damage and / or loss of parts during the installation of furniture.
- After using, the damage and scratches of the furniture are not covered by the warranty.

## The Warranty Relates to All Bought in The Us and Covers The Following Areas

- Sheet parts: 1 month from the date of purchase.
- Electrical parts: 1 month from the date of purchase.