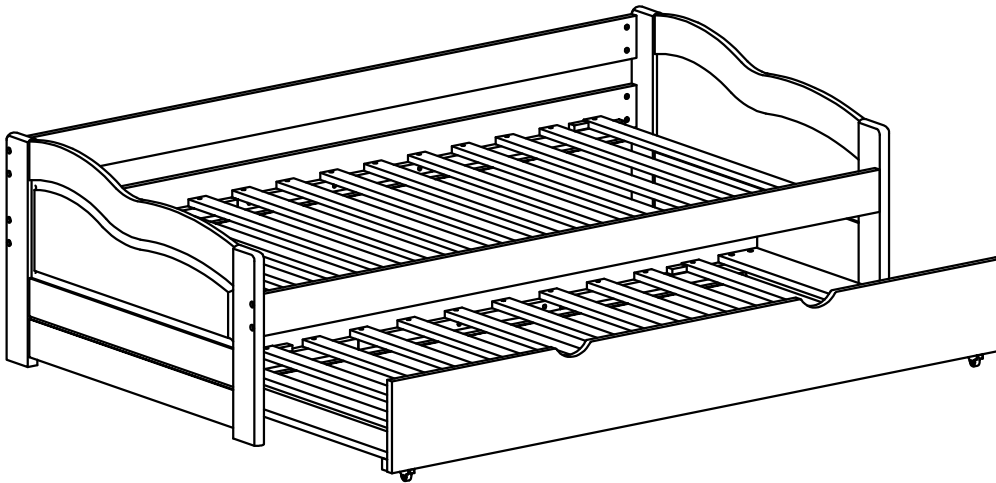


ASSEMBLY INSTRUCTIONS



TOOLS REQUIRED



Allen Wrench

(Included)



Phillips
Screwdriver

(Not Included)



2 - People
Recommended

ASSEMBLY RATING



EASY —————> DIFFICULT

The Assembly Rating is a 5-point system showing the level of effort needed to assemble a specific product.

Thank you for your purchase!

We hope you enjoy this new addition to your home for many years to come.

Our commitment to providing quality products does not simply end when you purchase our product. We fully stand behind our products from start to finish.



CHECK BEFORE STARTING

Are you missing anything?

Double-check all parts, hardware and accessories listed on Page 6 are accounted for.

Check out our Quick Tips!

We recommend reviewing the pre-assembly handouts. Even experts need a refresher now and then!

Should we send any replacements?

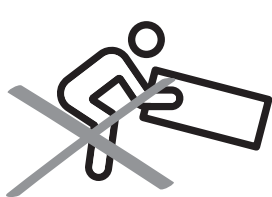
Are there any irregularities or flaws in the parts? We can send replacements!

Prep Time!

Please review the assembly instructions and all diagrams prior to assembling. Arrange parts as recommended on Page 7 and group identical hardware together to make assembling easier.

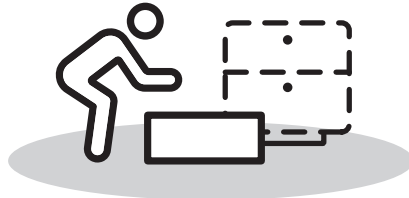
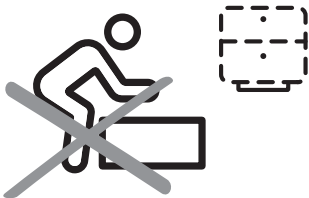
PRE ASSEMBLY INTRODUCTION

We understand building ready-to-assemble furniture can be a challenging experience for some. To help avoid confusion, we have provided some helpful tips that may speed up the process.



Teamwork

ALWAYS have at least two people to help with transporting and assembling the product to avoid potential injury and/or damage.



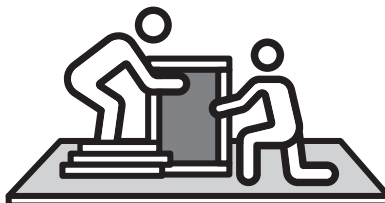
Suitable Location

Assembling near the area of the intended location is highly recommended.



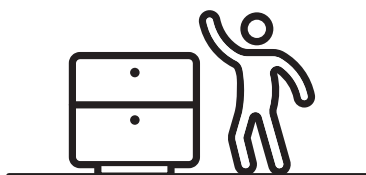
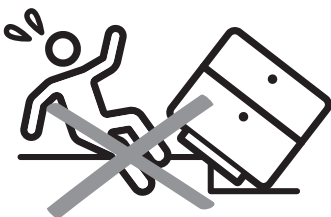
Sufficient Space

Make sure you have enough space to move around during the assembly.



Avoid Scratches

Use cardboard, blankets or a carpeted area while assembling furniture to prevent scratches.



Flat Surface

Make sure the furniture rests on a flat and level surface with each leg evenly touching the floor.

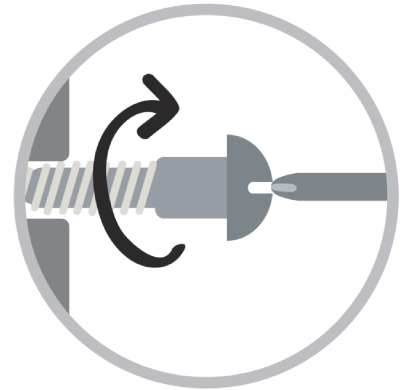
ASSEMBLY AND CARE ADVICE



FAILURE TO FOLLOW THE GUIDELINES BELOW MAY RESULT IN INJURY AND/OR PROPERTY DAMAGE.



Position each part correctly and insert screws or bolts into their respective holes.



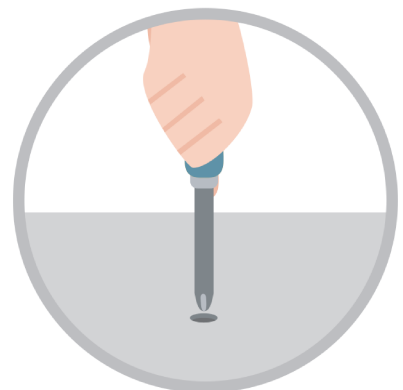
Turn clockwise to tighten and only tighten when step is completed or when instructed to do so.



Use the appropriate hand tools or power tools for assembly. Select steps, such as tightening screws and/or bolts, may require hand tools to avoid causing damage during assembly.



Save the instructions and store any supplied tools for later maintenance.



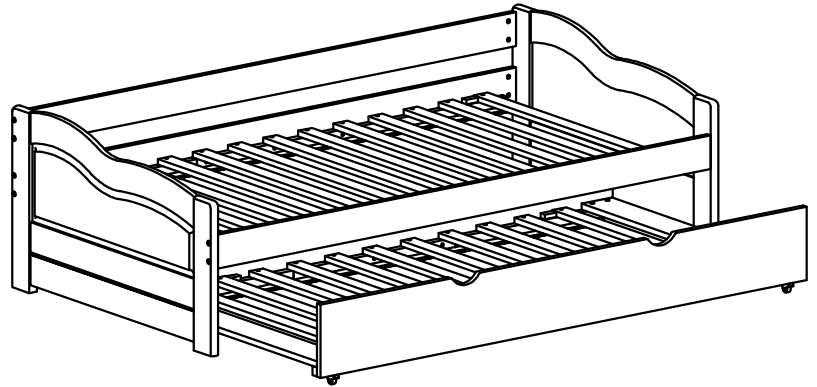
After two weeks, check and tighten any loose hardware and repeat again every six months thereafter.

IT IS THE USER'S RESPONSIBILITY TO MAINTAIN THE FURNITURE. THE HARDWARE MAY LOOSEN OVER TIME AND MAY CAUSE THE FURNITURE TO BE WOBBLY AND UNABLE TO SUPPORT ITS INTENDED WEIGHT CAPACITY. THIS MAY LEAD TO COLLAPSE AND MAY CAUSE SERIOUS INJURY.

DAYBED

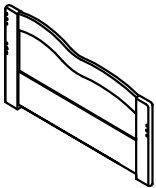


- Please keep instructions for future reference.
- Check the quantity and irregularity of parts and hardware before you start.



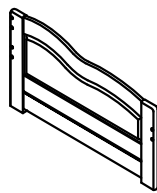
PARTS

#1 1pc



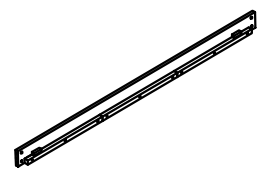
Right Side Panel

#2 1pc



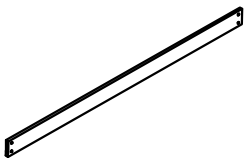
Left Side Panel

#3 2pcs



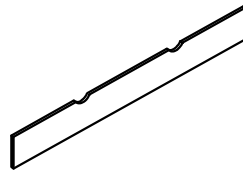
Rail

#4 1pc



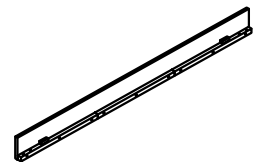
Upper Rail

#5 1pc



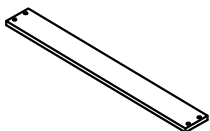
Trundle Front Panel

#6 1pc



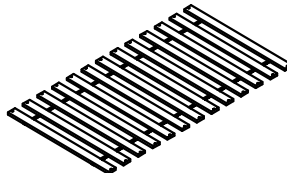
Trundle Rear Panel

#7 2pcs



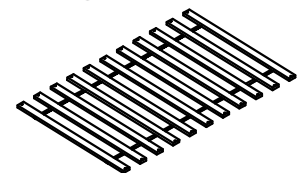
Trundle End Panel

#8 1set



Slats Kit
(13pcs)

#9 1set



Slats Kit
(11pcs)

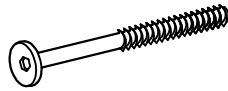
HARDWARE

#A 1pc



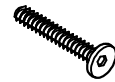
Allen Wrench 4mm

#B 12pcs



Bolt
Ø1/4" x 3-1/8"

#C 8pcs



Bolt
Ø1/4" x 1-3/16"

#D 8pcs



Screw
#4 x 20mm

#E 48pcs



Screw
#4 x 30mm

#F 12pcs



Barrel Nut
Ø1/4" x 1/2"

#G 6pcs



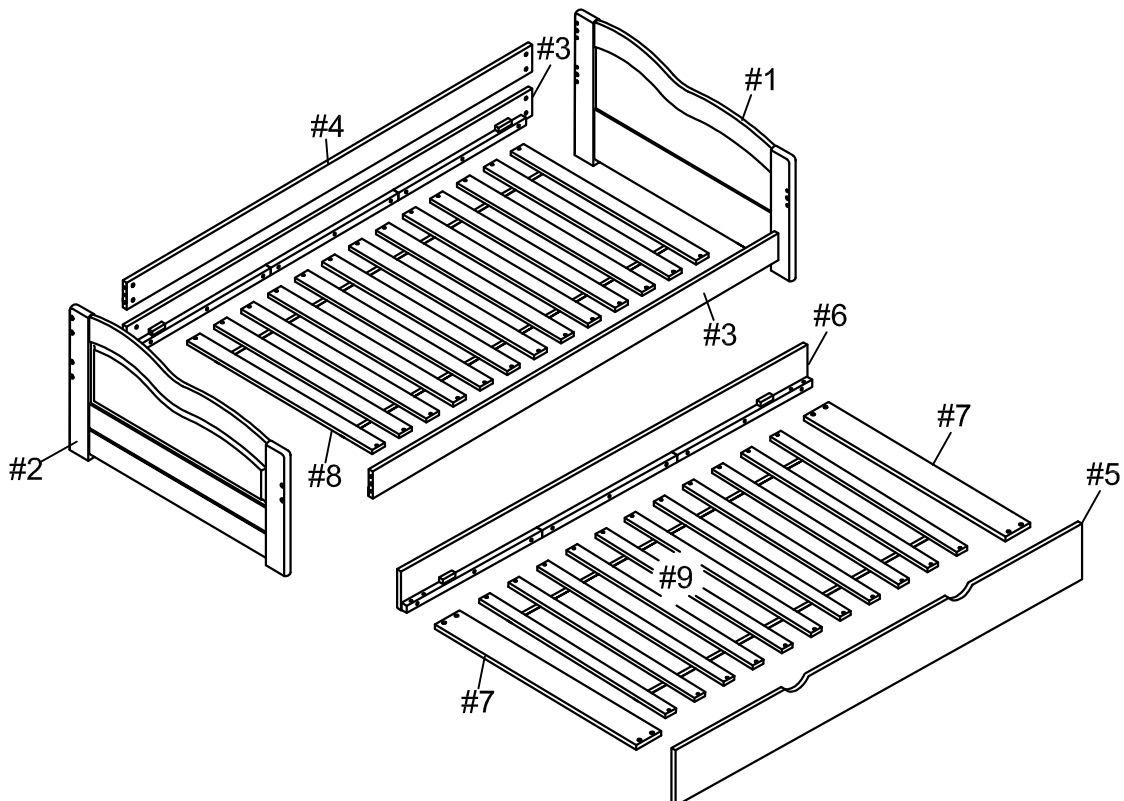
Wood Dowel
Ø10x40mm

#H 4pcs

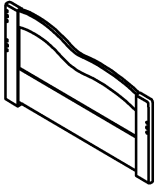








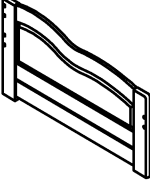
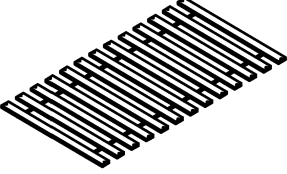
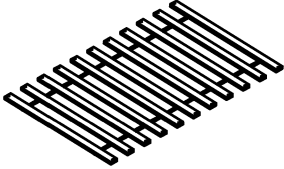

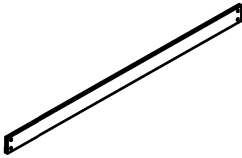
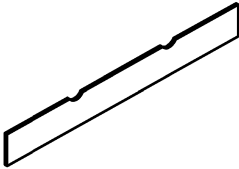
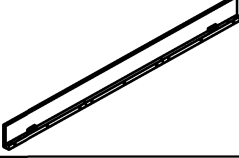
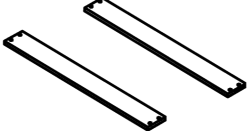


Wheel

Exploded View



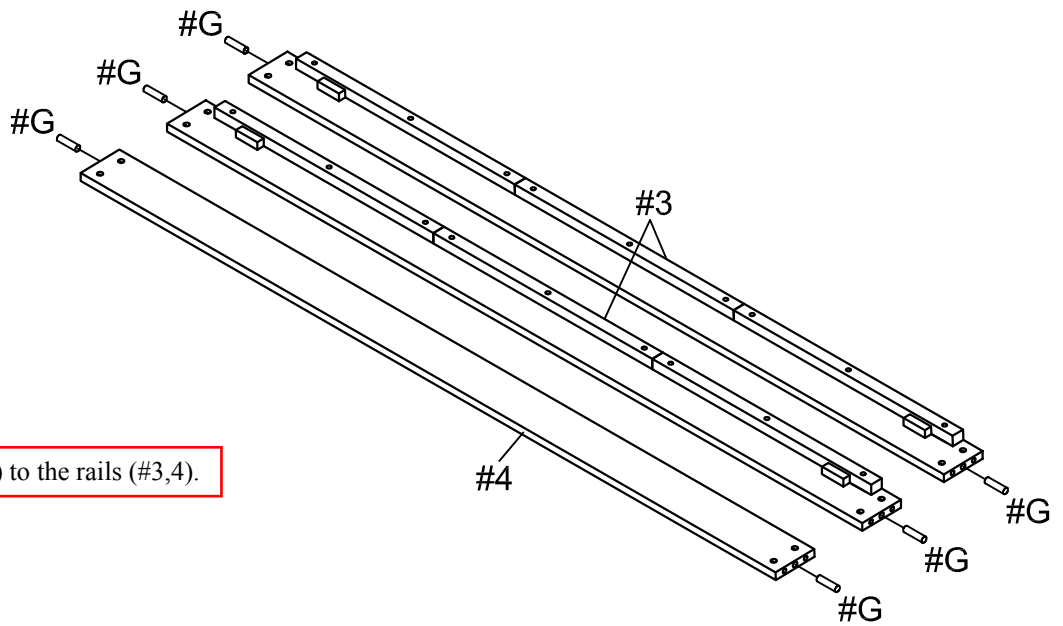
Packed in 2 cases

| Carton | Disignation | Part | Part | Hardware |
|--------|---------------------|------|--|--|
| | Right Side Panel | #1 |  |  #A x 1pc  #B x 12pcs  #C x 8pcs  #D x 8pcs  #E x 48pcs  #F x 12pcs  #G x 6pcs  #H x 4pcs |
| | Left Side Panel | #2 |  | |
| | Slat Kit (13pcs) | #8 |  | |
| | Slat Kit (11pcs) | #9 |  | |
| | Rail | #3 |  | |
| | Upper Rail | #4 |  | |
| | Trundle Front Panel | #5 |  | |
| | Trundle Rear Panel | #6 |  | |
| | Trundle End Panel | #7 |  | |

ASSEMBLY INSTRUCTIONS

1

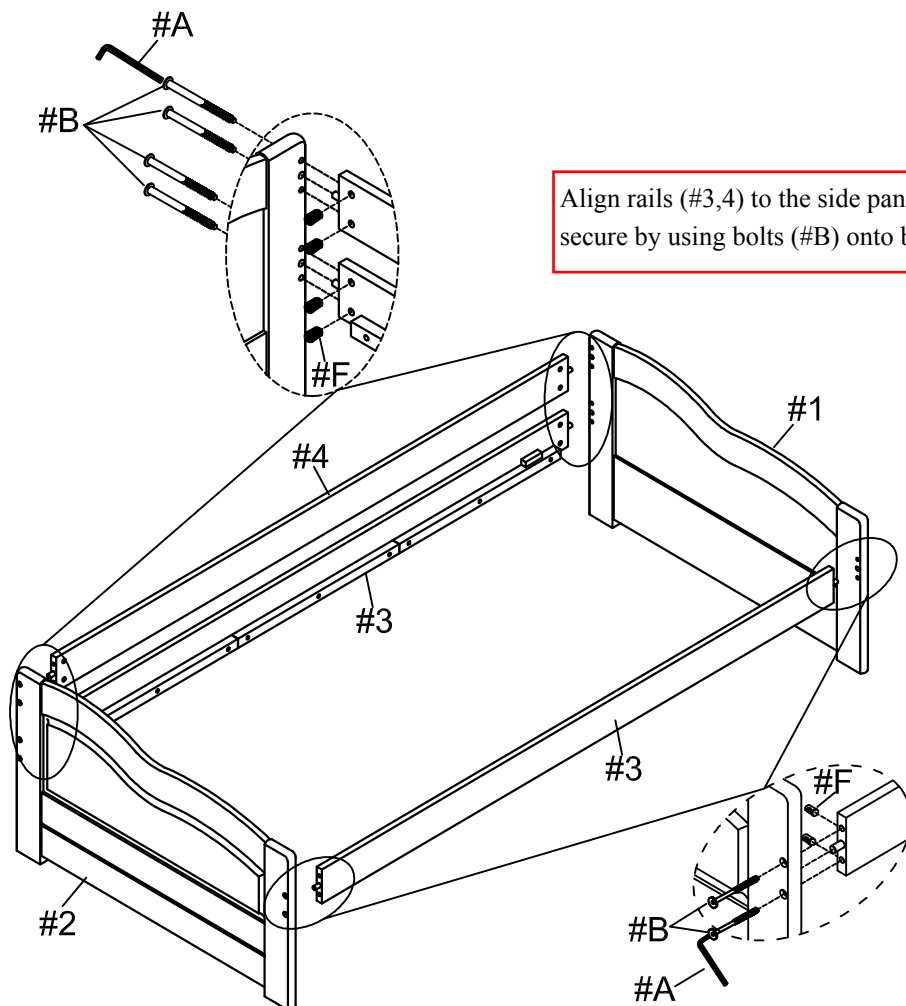
- Part #3 x2pcs
- Part #4 x1pc
- Hardware #G x6pcs



Insert dowels (#G) to the rails (#3,4).

2

- Part #1 x1pc
- Part #2 x1pc
- Part #3 x2pcs
- Part #4 x1pc
- Hardware #B x12pcs
- Hardware #F x12pcs

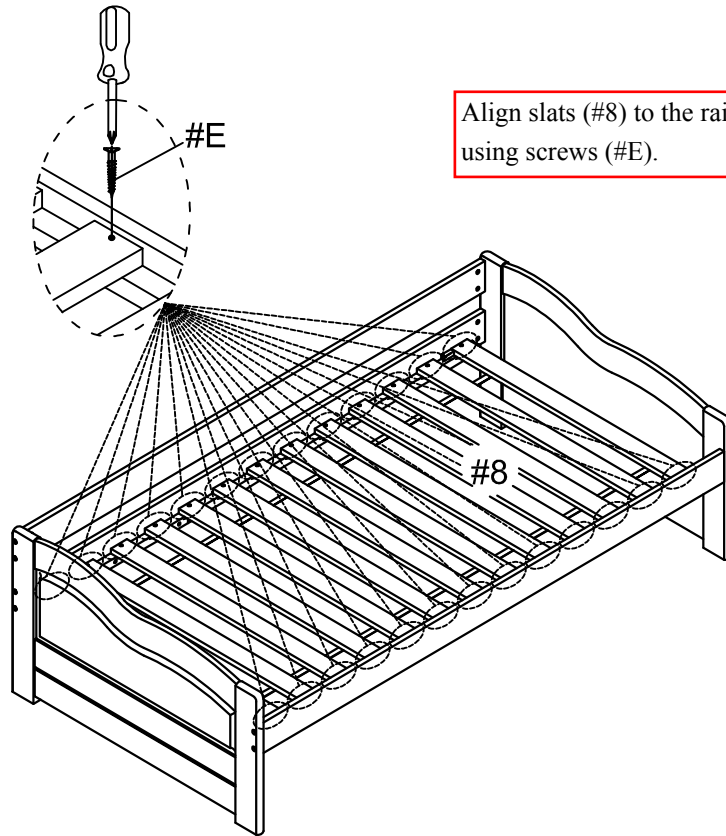


Align rails (#3,4) to the side panels (#1,2), then secure by using bolts (#B) onto barrel nuts (#F).

ASSEMBLY INSTRUCTIONS

3

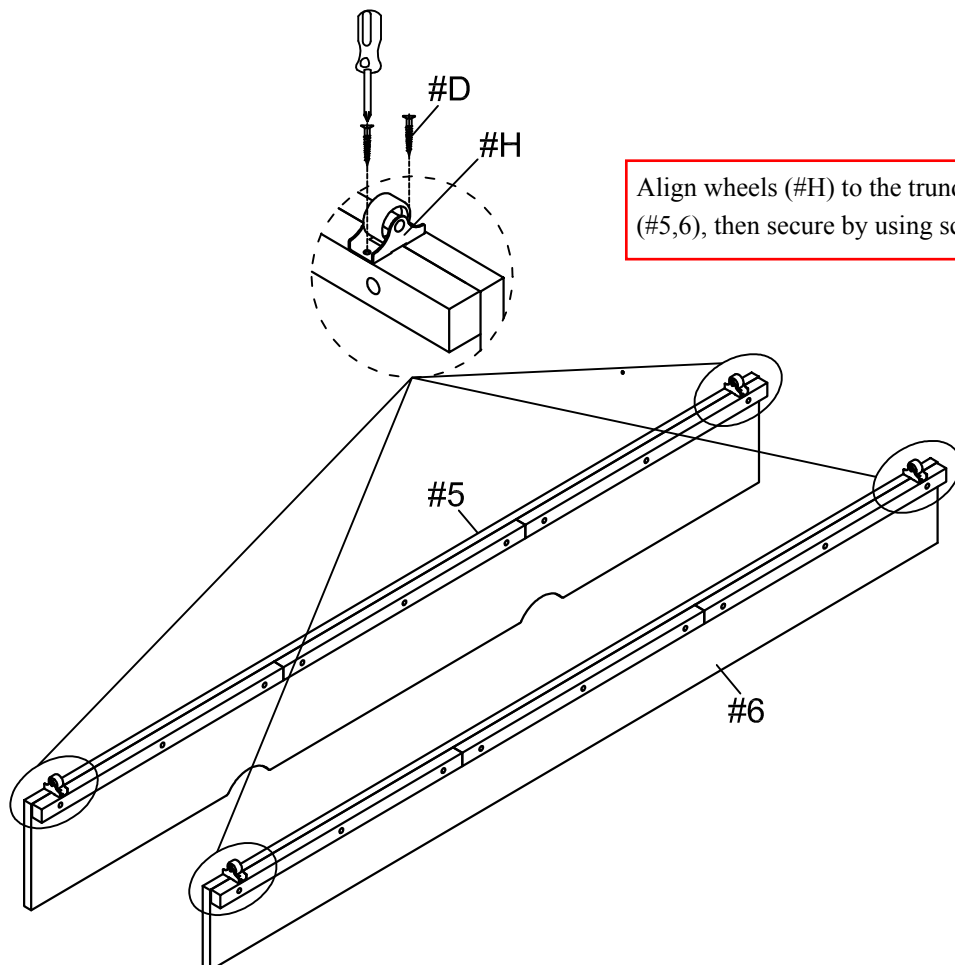
Part #8 x1set
Hardware #E x26pcs



Align slats (#8) to the rails, then secure by using screws (#E).

4

Part #5 x1pc
Part #6 x1pc
Hardware #D x8pcs
Hardware #H x4pcs

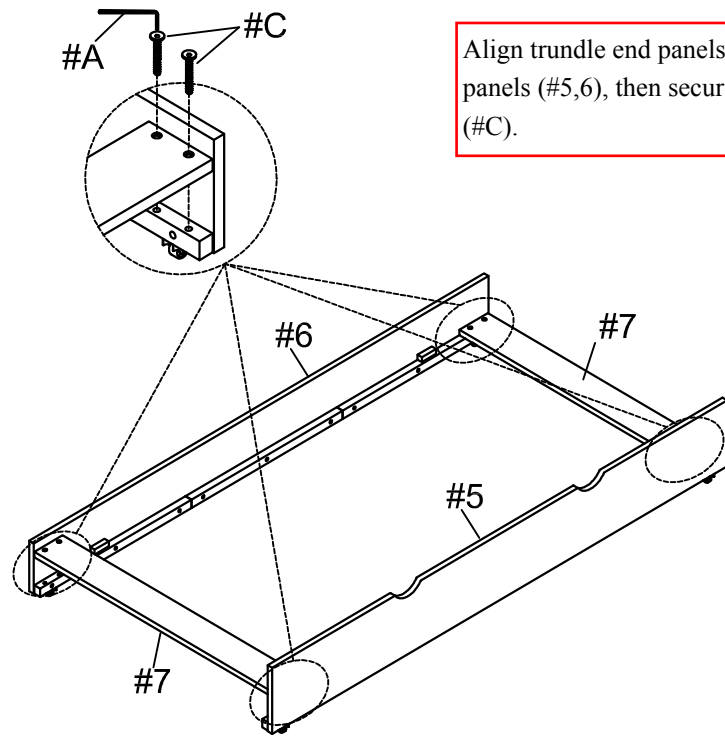


Align wheels (#H) to the trundle panels (#5,6), then secure by using screws (#D).

ASSEMBLY INSTRUCTIONS

5

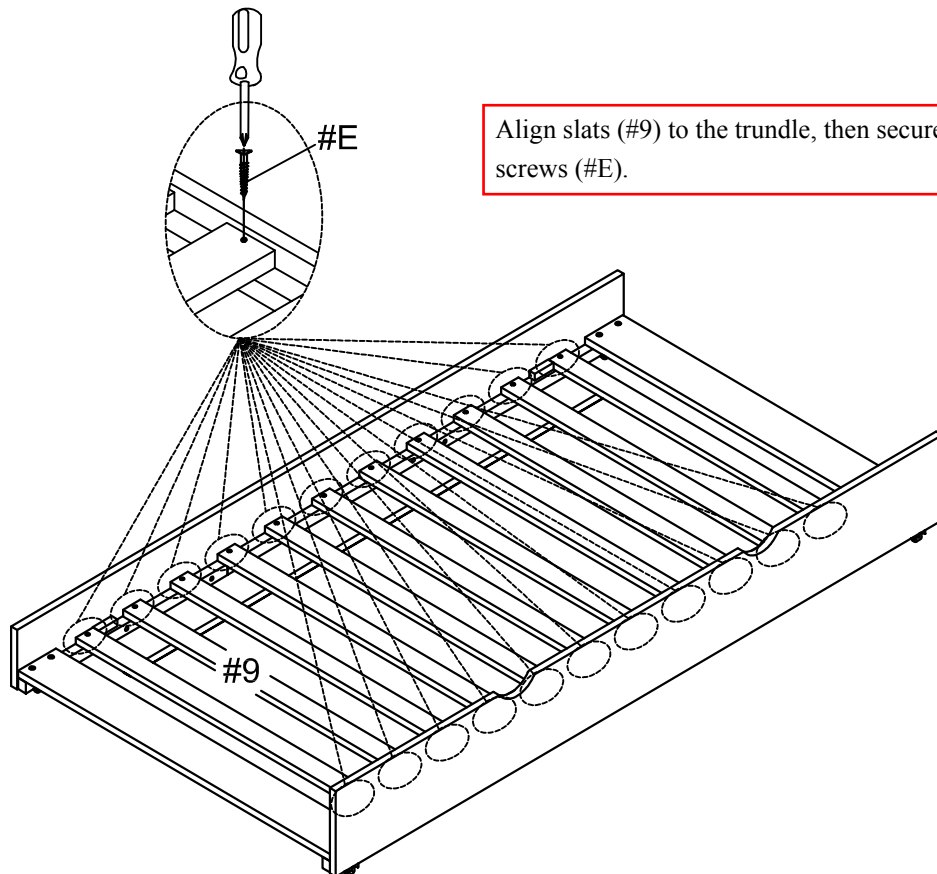
- Part #5 x1pc
- Part #6 x1pc
- Part #7 x2pcs
- Hardware #C x8pcs



Align trundle end panels (#7) to the trundle panels (#5,6), then secure by using bolts (#C).

6

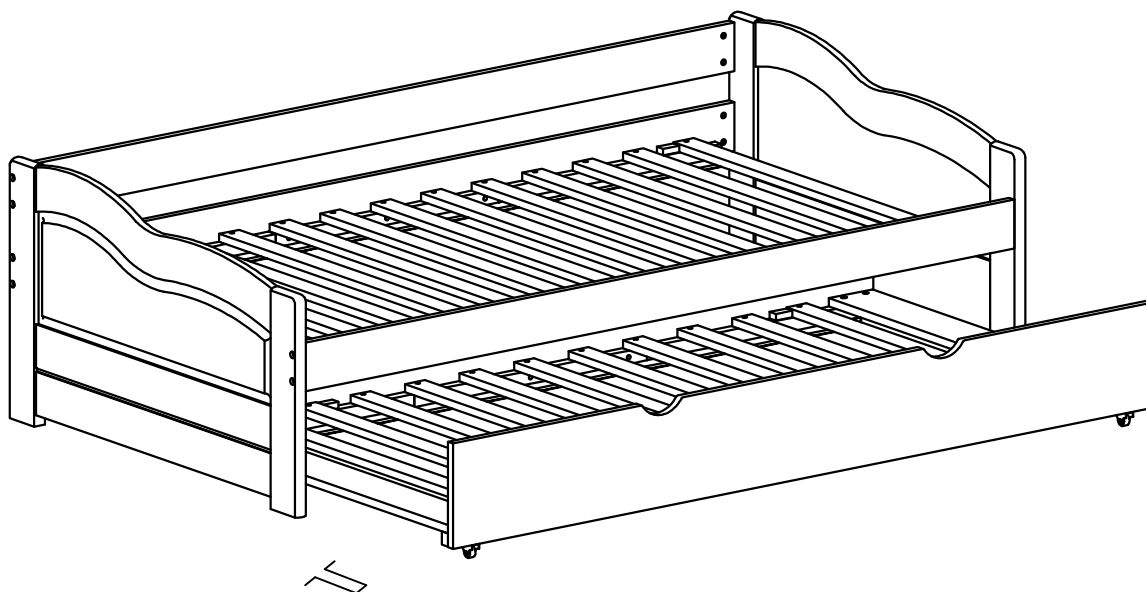
- Part #9 x1set
- Hardware #E x22pcs



Align slats (#9) to the trundle, then secure by using screws (#E).

ASSEMBLY INSTRUCTIONS

7



ASSEMBLY COMPLETED



Please ensure the furniture rests on an even and flat surface. If the product wobbles or feels loose, double-check all bolts and/or screws are properly tightened and secured.



Keep this handy!

Please retain this instruction manual and any order-related information for future reference.



Lift, don't drag!

To avoid damage to product please always LIFT the product when transporting or adjusting the placement.