

1



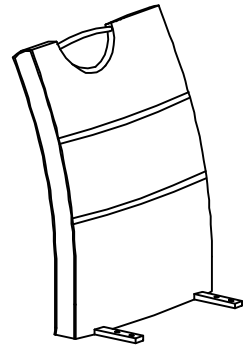
2



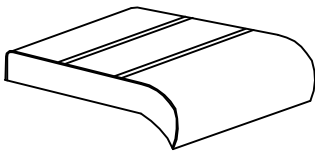
3



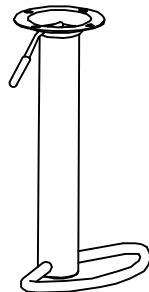
4



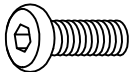
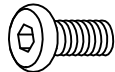

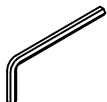
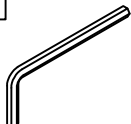
5



6



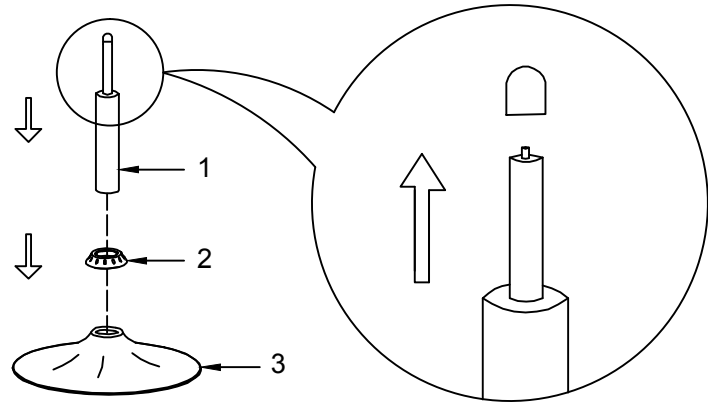
1	1X
2	1X
3	1X
4	1X
5	1X
6	1X

<p>A M6X18</p>  <p>4x</p>	<p>B M6x12</p>  <p>4x</p>	<p>C Ø13xØ6x1.2</p>  <p>4x</p>	<p>D 4MM</p>  <p>1x</p>	<p>E 5MM</p>  <p>1x</p>
---	---	--	---	---

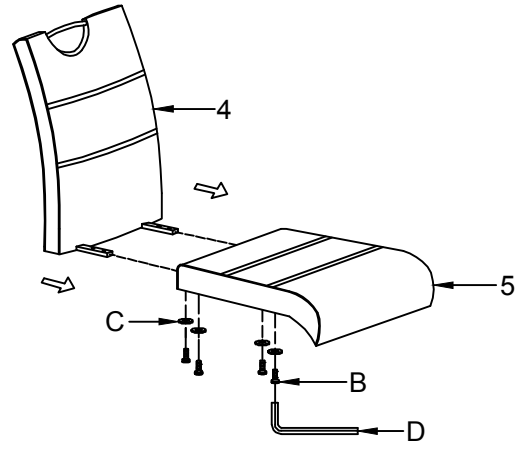
I.



1

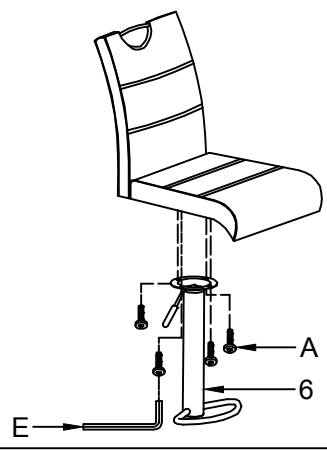


2



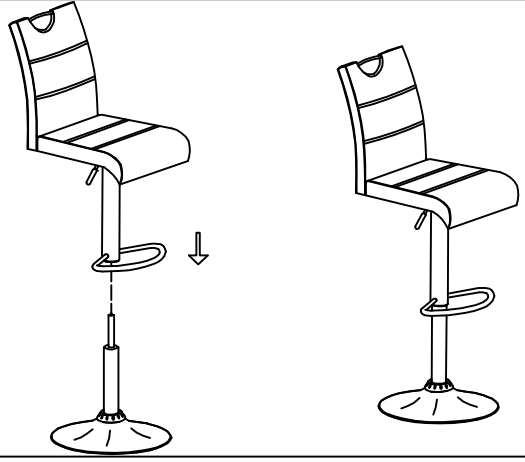
- B** M6x12 4x
 - C** Ø13xØ6x1.2 4x
 - D** 4MM 1x
-

3



- A** M6X18 4x
 - E** 5MM 1x
-

4



- D** 4MM 1x
-

