

CURIO CABINET

ASSEMBLY INSTRUCTION



ASSEMBLY INSTRUCTION

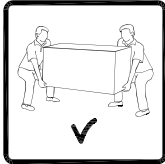
ASSEMBLY TIPS:

1. Remove hardware from box and sort by size.
2. Please check to see that all hardware and parts are present prior to start of assembly.
3. Please follow attached instructions in the same sequence as numbered to assure fast & easy assembly.



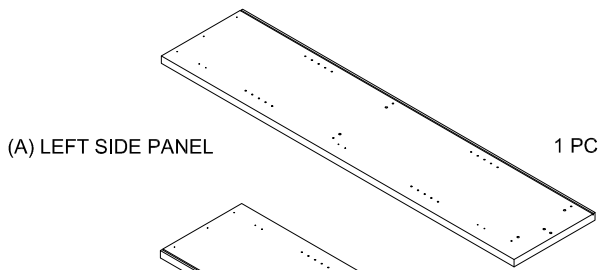
Warning !

1. Don't attempt to repair or modify parts that are broken or defective. Please contact the store immediately.
2. This product is for home use only and not intended for commercial establishment.

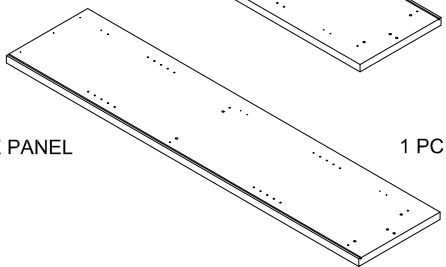


ASSEMBLY TIME PER UNIT: 60 MINUTES

PARTS IDENTIFICATION:



(A) LEFT SIDE PANEL 1 PC



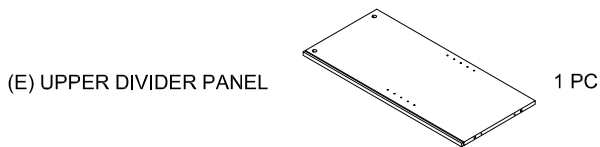
(B) RIGHT SIDE PANEL 1 PC



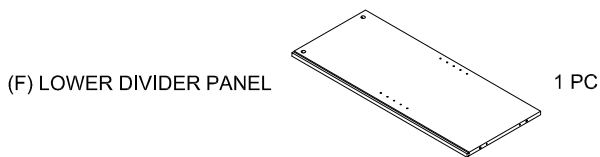
(C) LEFT CROSS BRACE 1 PC



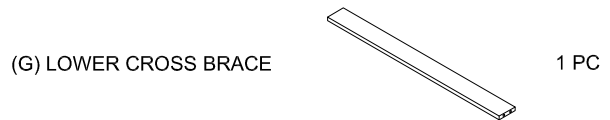
(D) RIGHT CROSS BRACE 1 PC



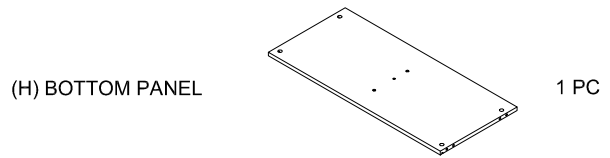
(E) UPPER DIVIDER PANEL 1 PC



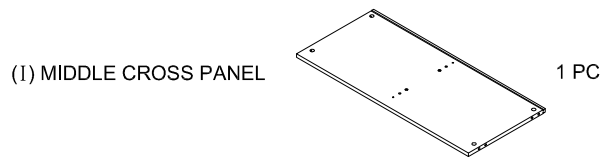
(F) LOWER DIVIDER PANEL 1 PC



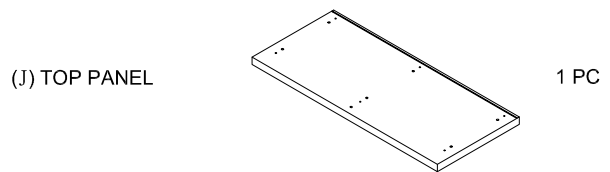
(G) LOWER CROSS BRACE 1 PC



(H) BOTTOM PANEL 1 PC



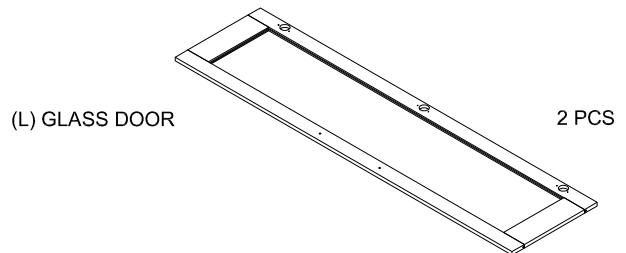
(I) MIDDLE CROSS PANEL 1 PC



(J) TOP PANEL 1 PC

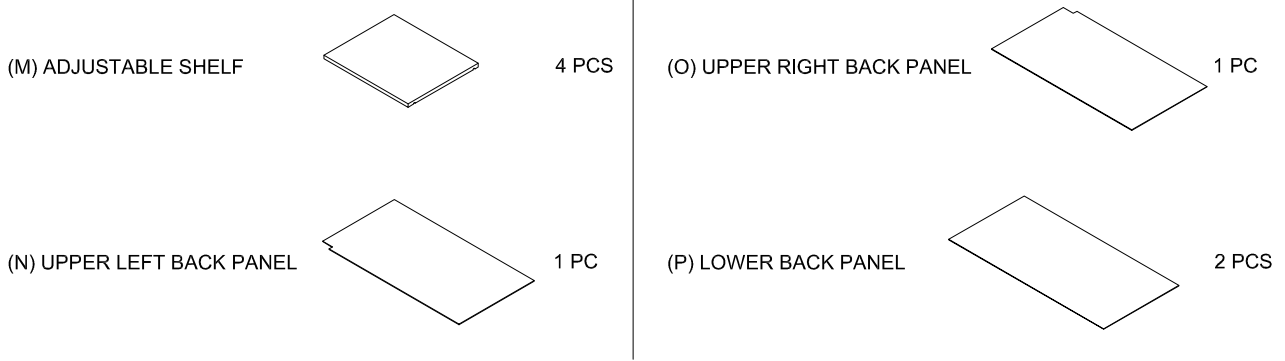


(K) UPPER CROSS BRACE 1 PC



(L) GLASS DOOR 2 PCS

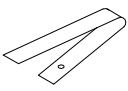

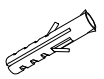

ASSEMBLY INSTRUCTION



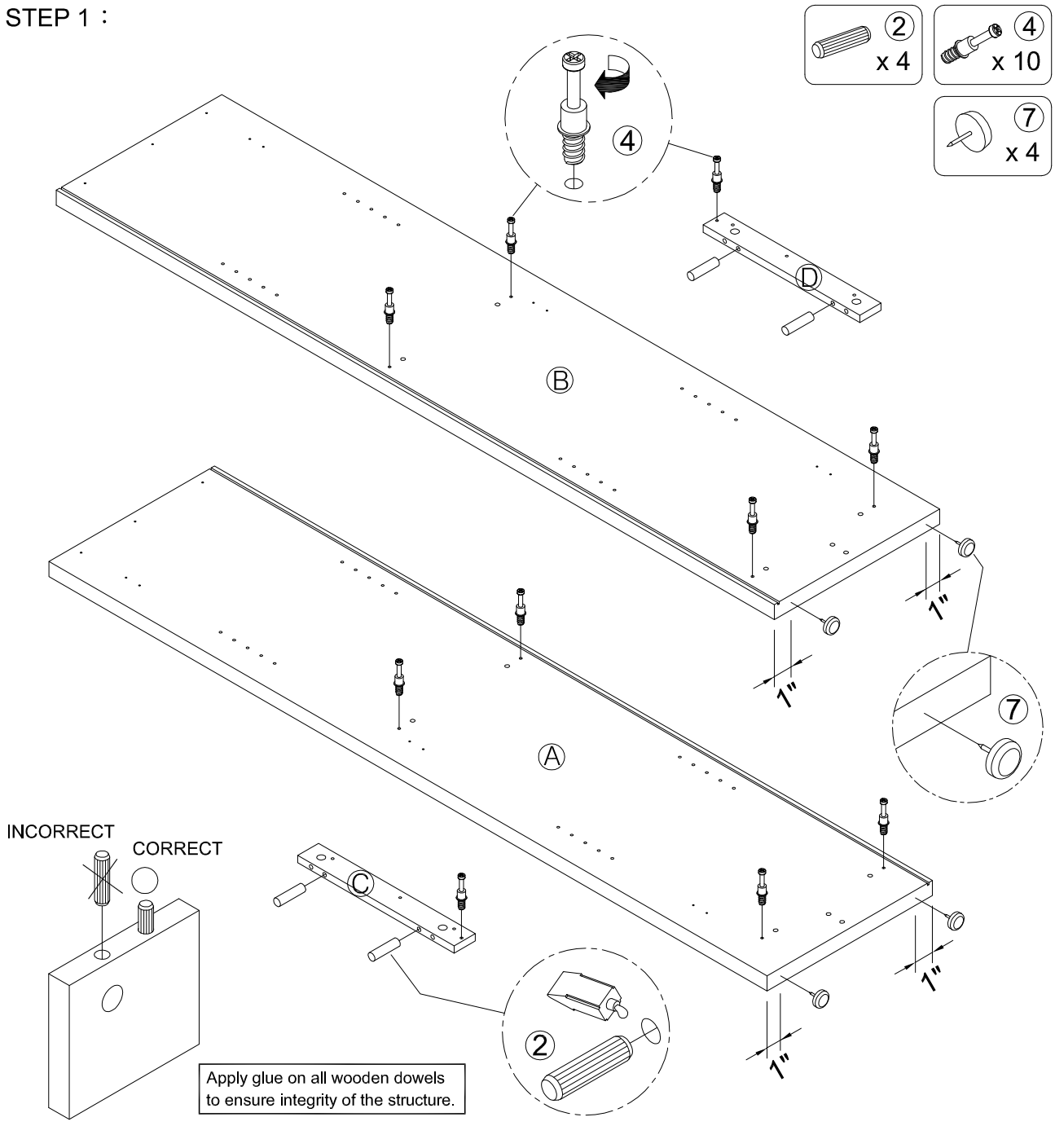
Z	HARDWARE PACKAGE						
NO	DESCRIPTION	FIGURE	Q'TY	NO	DESCRIPTION	FIGURE	Q'TY
1	GLUE 40g		1 PC	10	HANDLE		2 PCS
2	WOODEN DOWEL Ø8x30mm		22 PCS	11	HANDLE BOLT M5x25mm		4 PCS
3	WOODEN DOWEL Ø8x50mm		2 PCS	12	NUT M5		4 PCS
4	CAM BOLT Ø7x35.5mm		18 PCS	13	HINGE		6 PCS
5	CAM LOCK Ø15x12mm		18 PCS	14	HINGE SCREW Ø4x15mm		24 PCS
6	SCREW Ø4.5x42mm		4 PCS	15	FIXER		6 PCS
7	PLASTIC FEET Ø15mm		5 PCS	16	FIXER SCREW Ø3x19mm		6 PCS
8	PIN Ø4.9x8mm		16 PCS	17	STICKER Ø20mm		3 PCS
9	SCREW Ø4x28mm		6 PCS				

Z10,Z11,Z12,Z13 not included in blister packaging.

ASSEMBLY INSTRUCTION

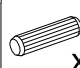
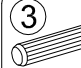


Z		HARDWARE PACKAGE					
NO	DESCRIPTION	FIGURE	Q'TY	NO	DESCRIPTION	FIGURE	Q'TY
18	ANTI-TIP STRAP 170x15mm		2 PCS	20	WALL SCREW ø4x25mm		2 PCS
19	WALL PLUG 6x30mm		2 PCS	21	SCREW ø4x16mm		2 PCS

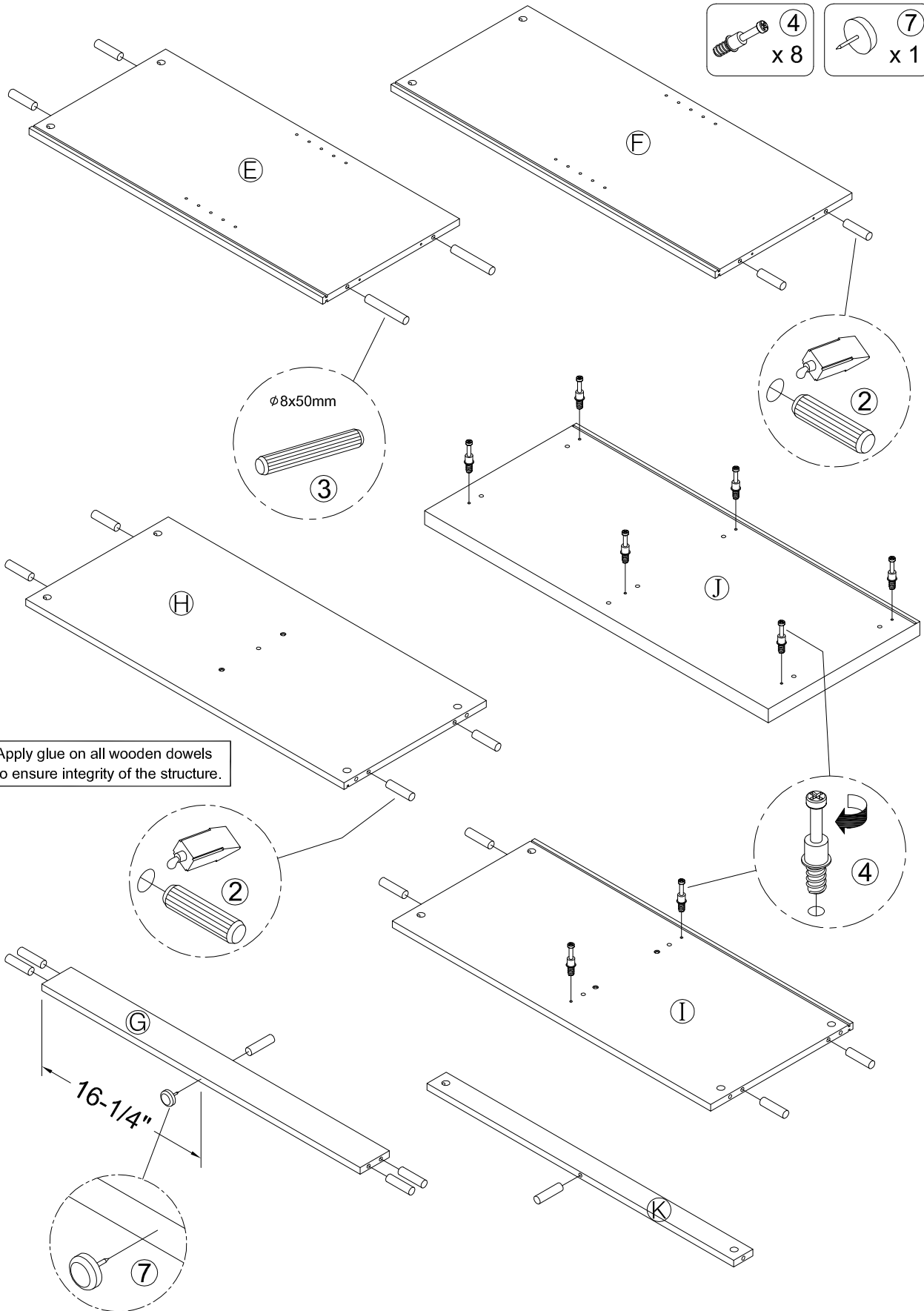
STEP 1 :



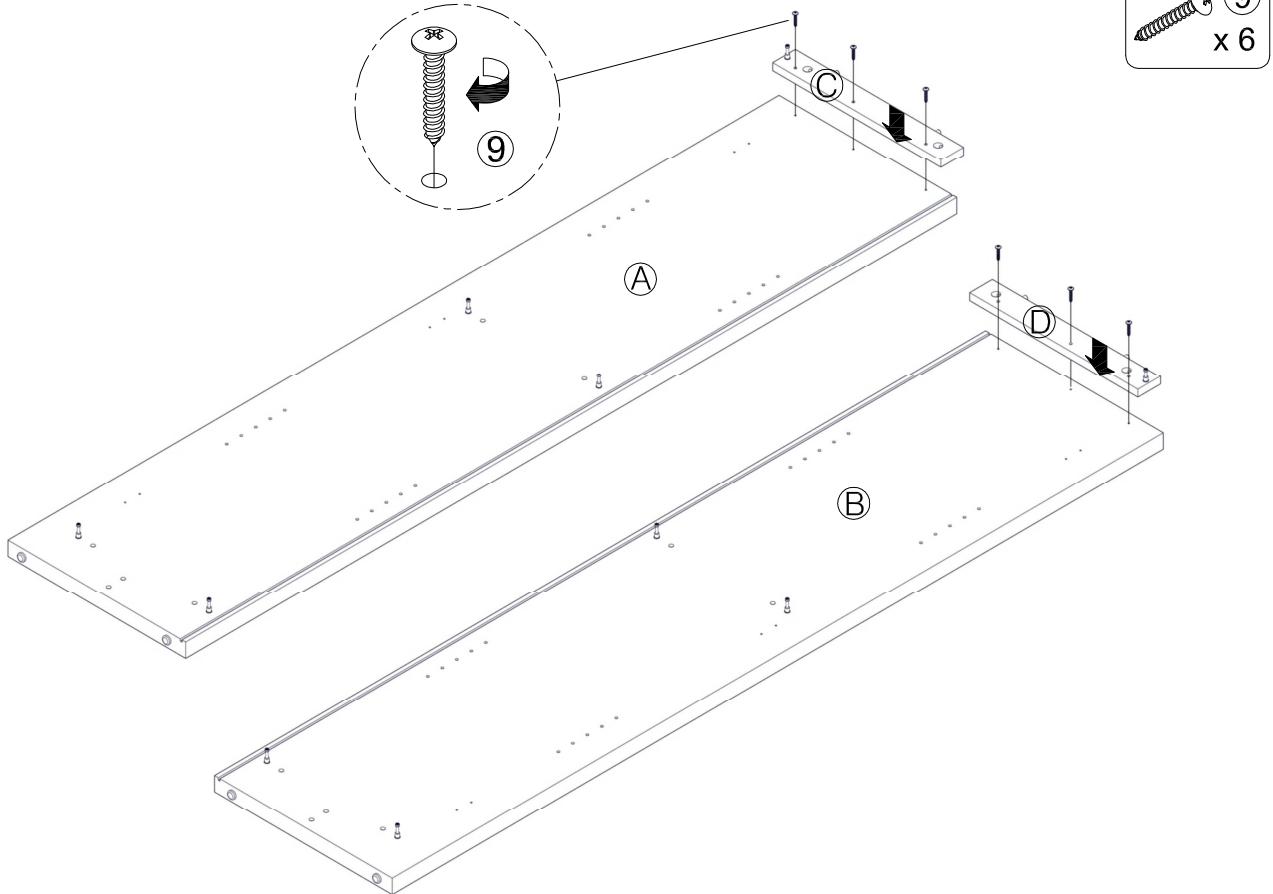
ASSEMBLY INSTRUCTION

STEP 2 :

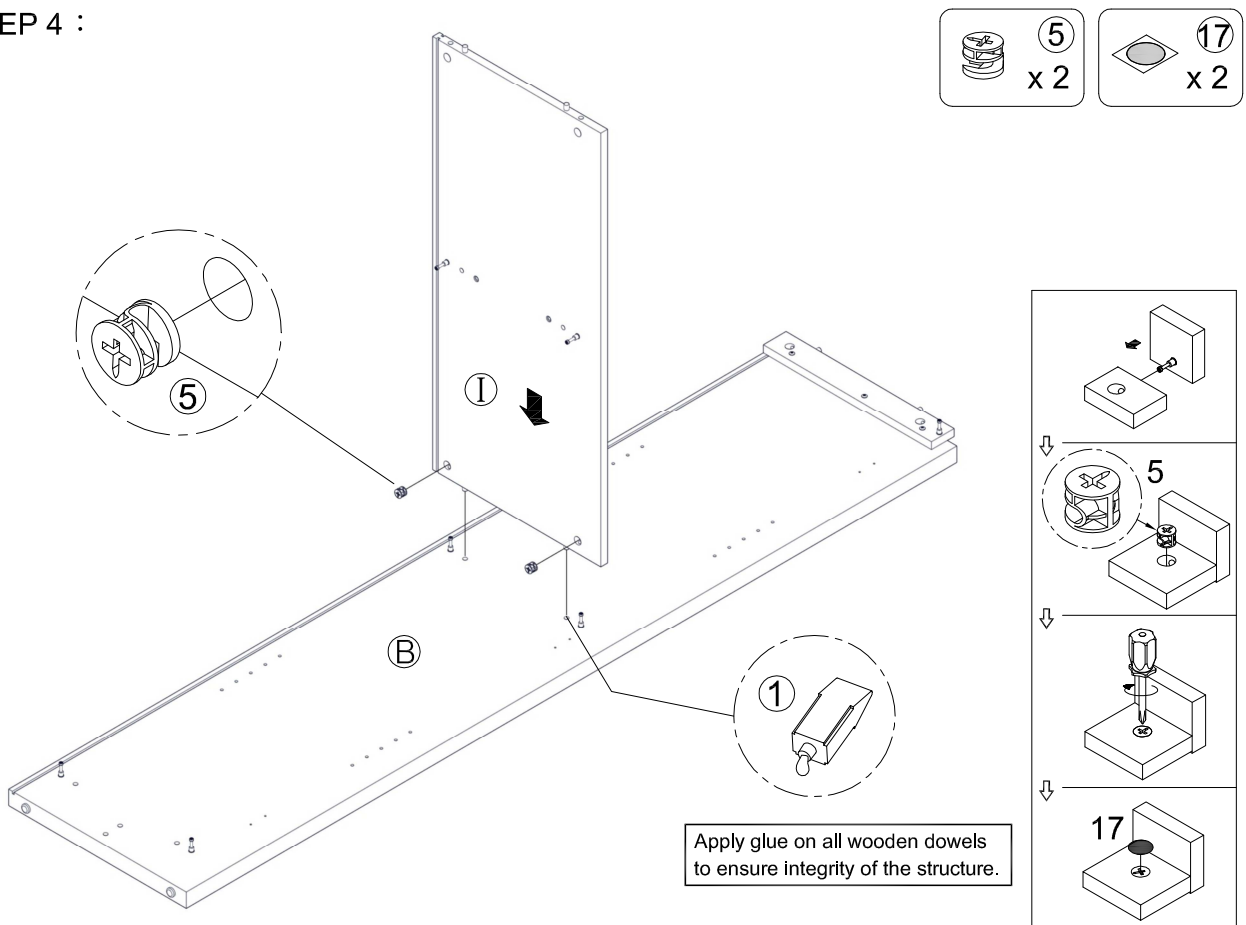
- | | |
|---|--|
|  2
x 18 |  3
x 2 |
|  4
x 8 |  7
x 1 |



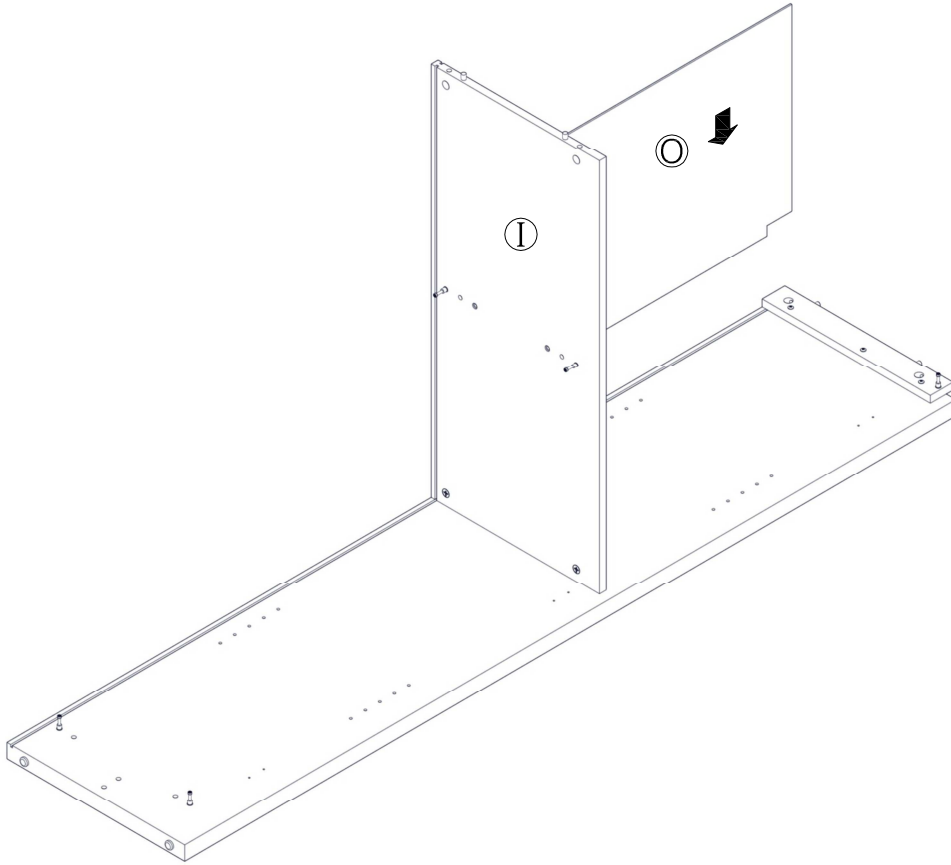
STEP 3 :



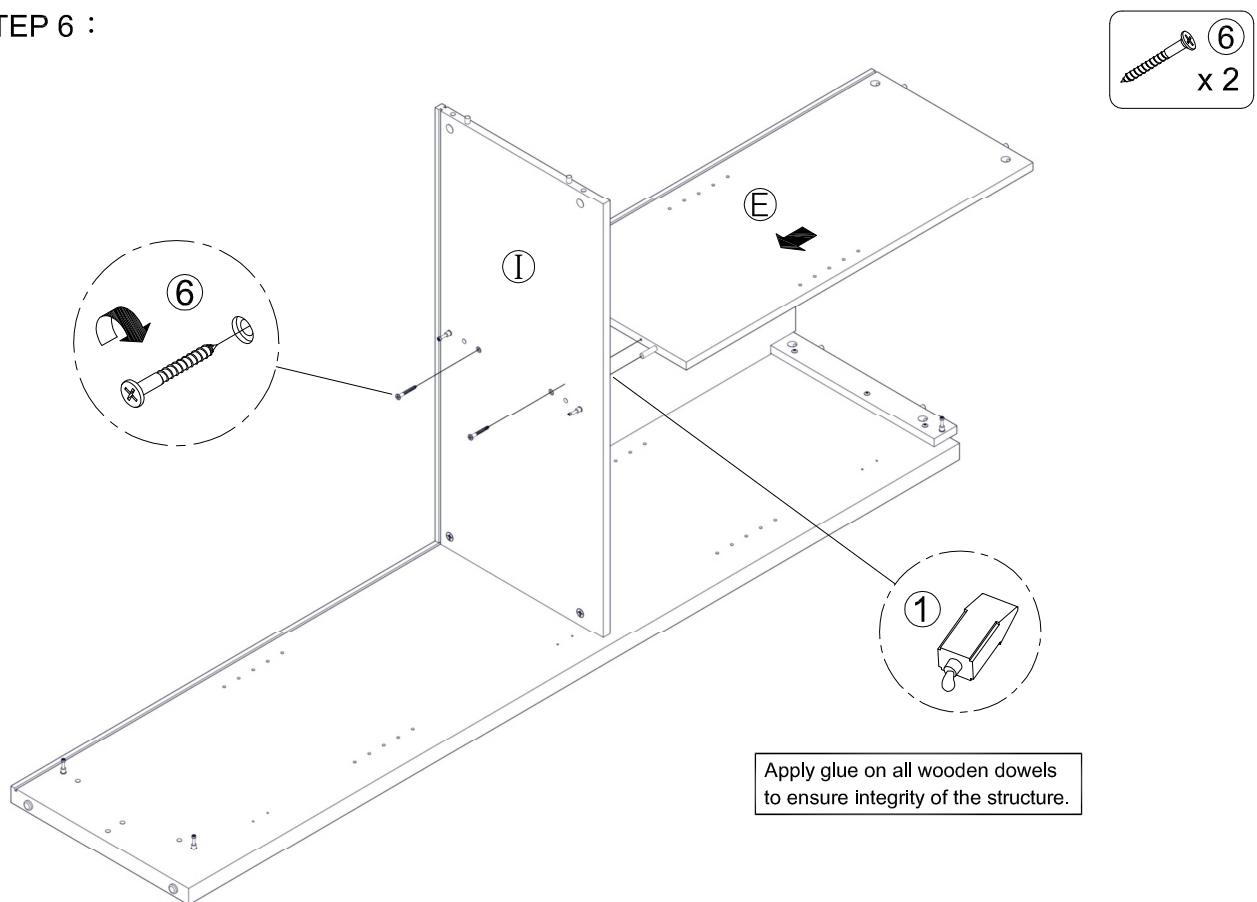
STEP 4 :



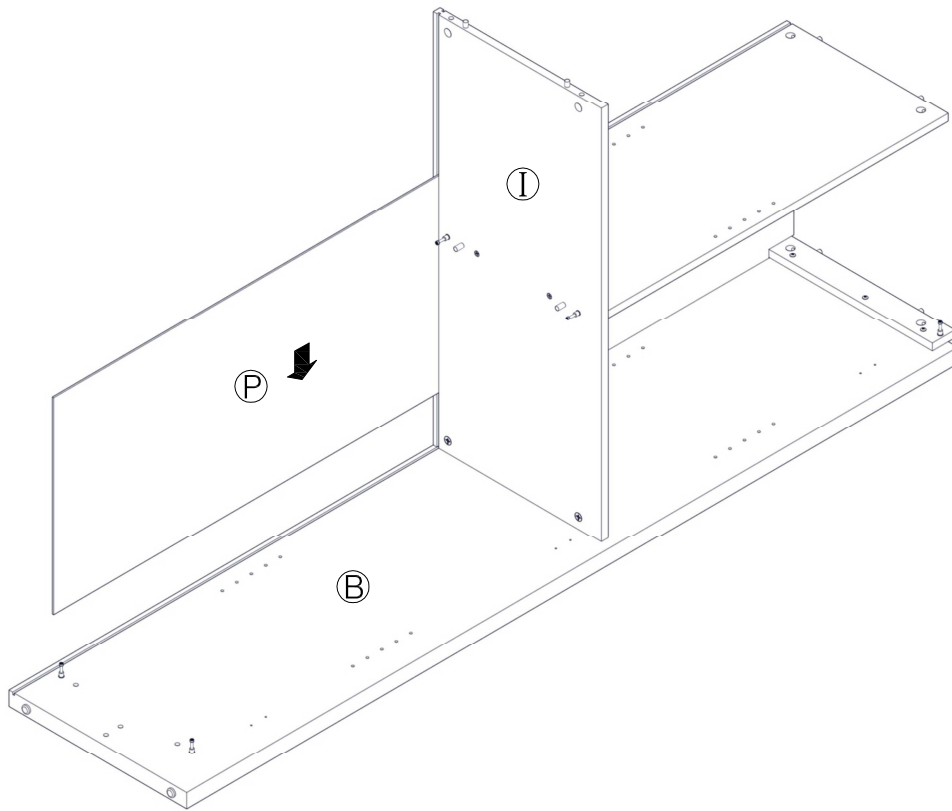
STEP 5 :



STEP 6 :

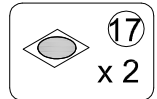
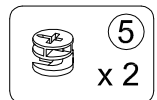
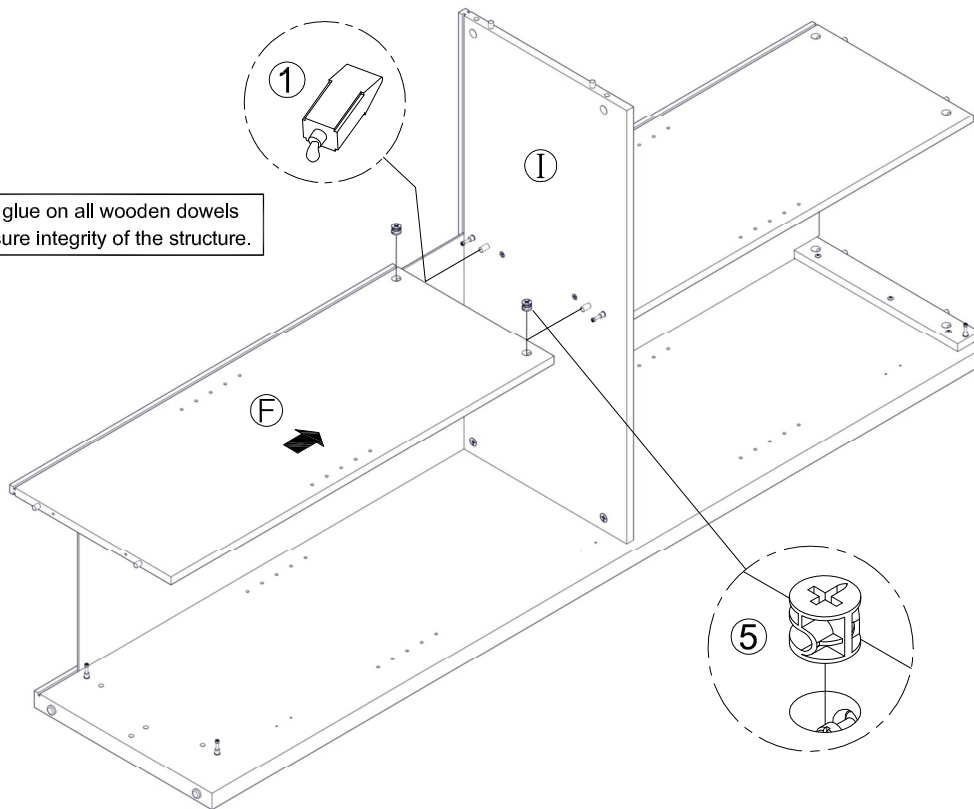


STEP 7 :

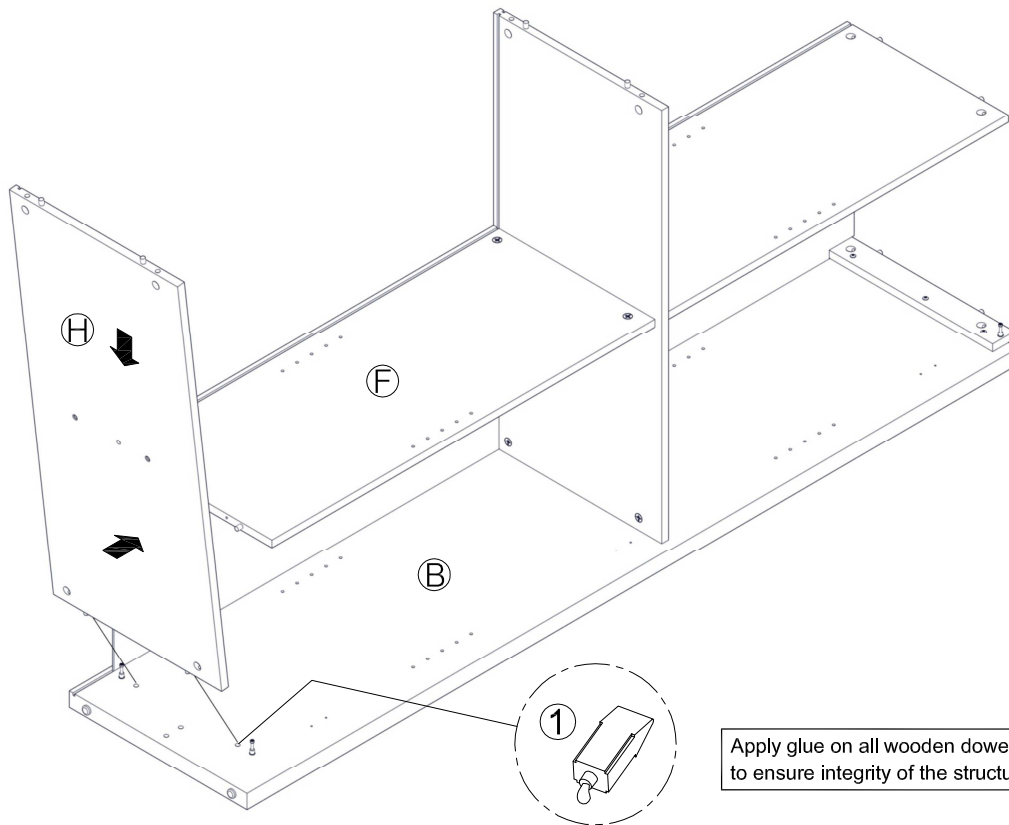


STEP 8 :

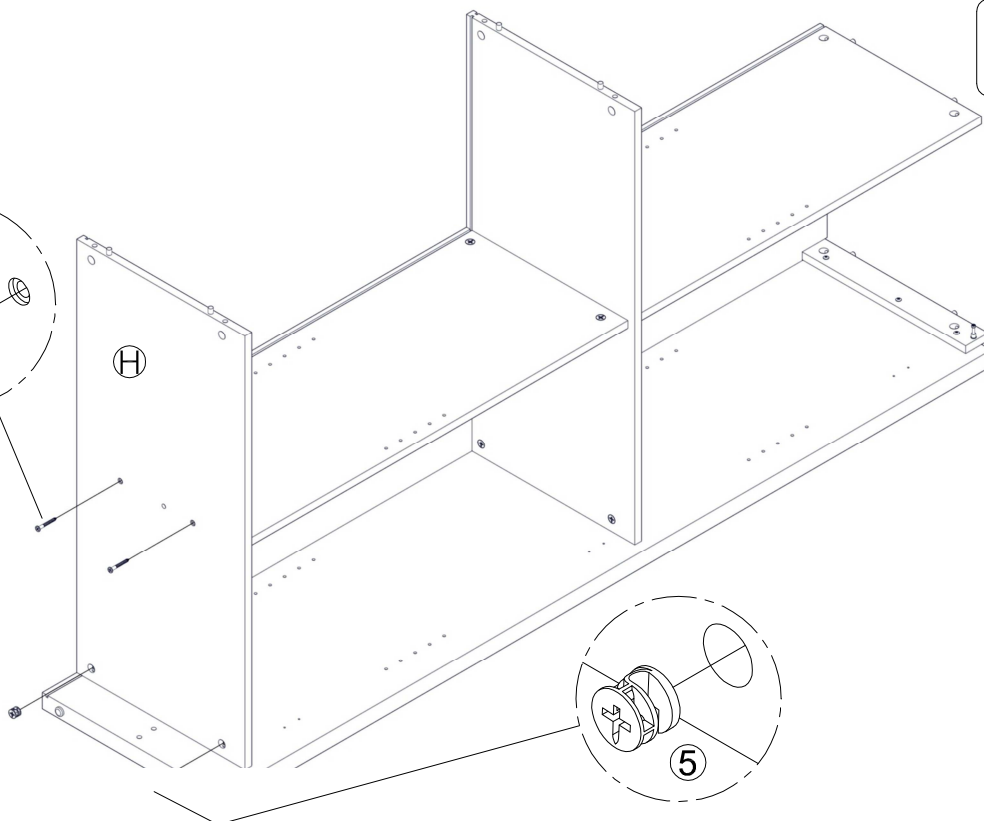
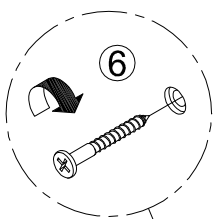
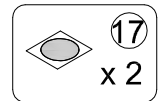
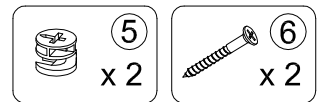
Apply glue on all wooden dowels to ensure integrity of the structure.



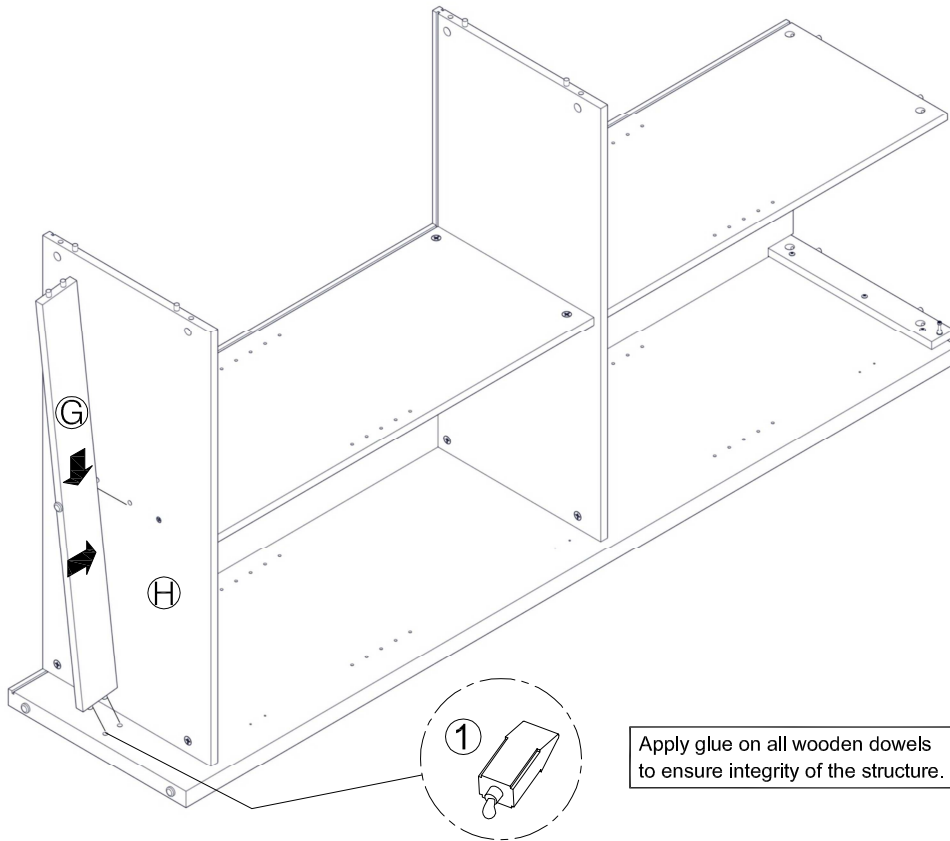
STEP 9 :



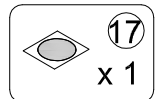
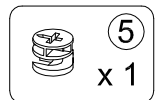
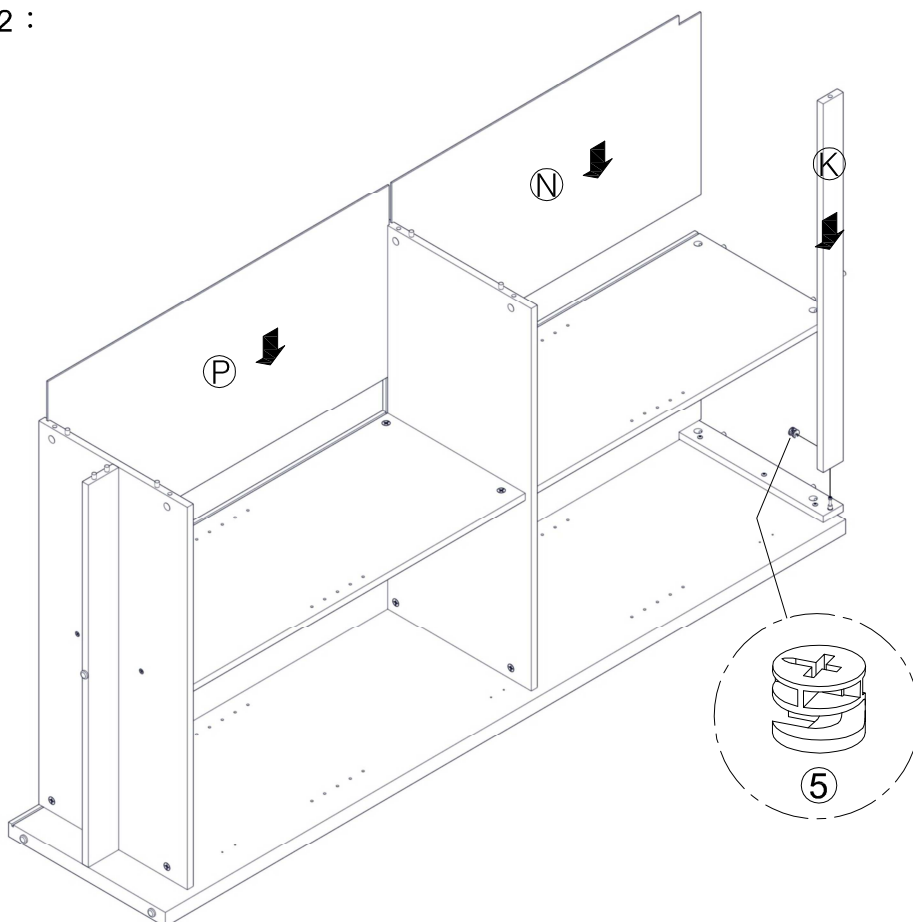
STEP 10 :



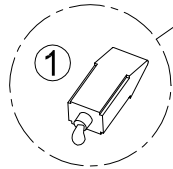
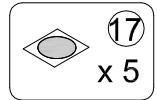
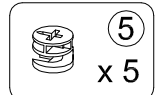
STEP 11 :



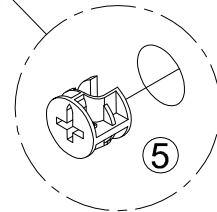
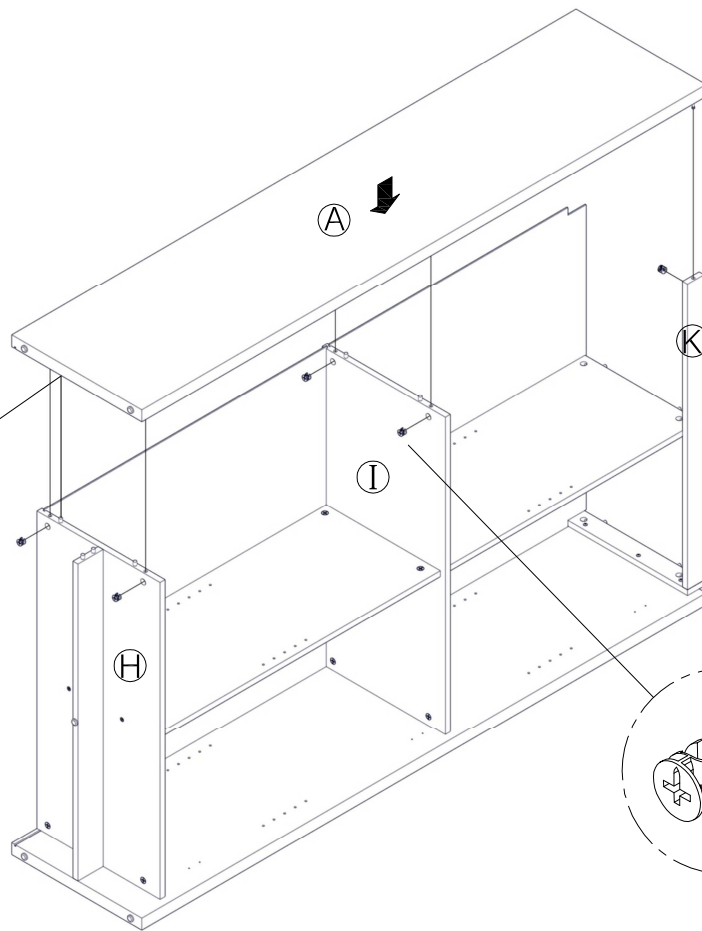
STEP 12 :



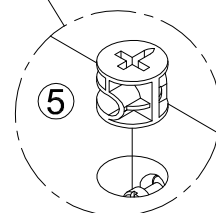
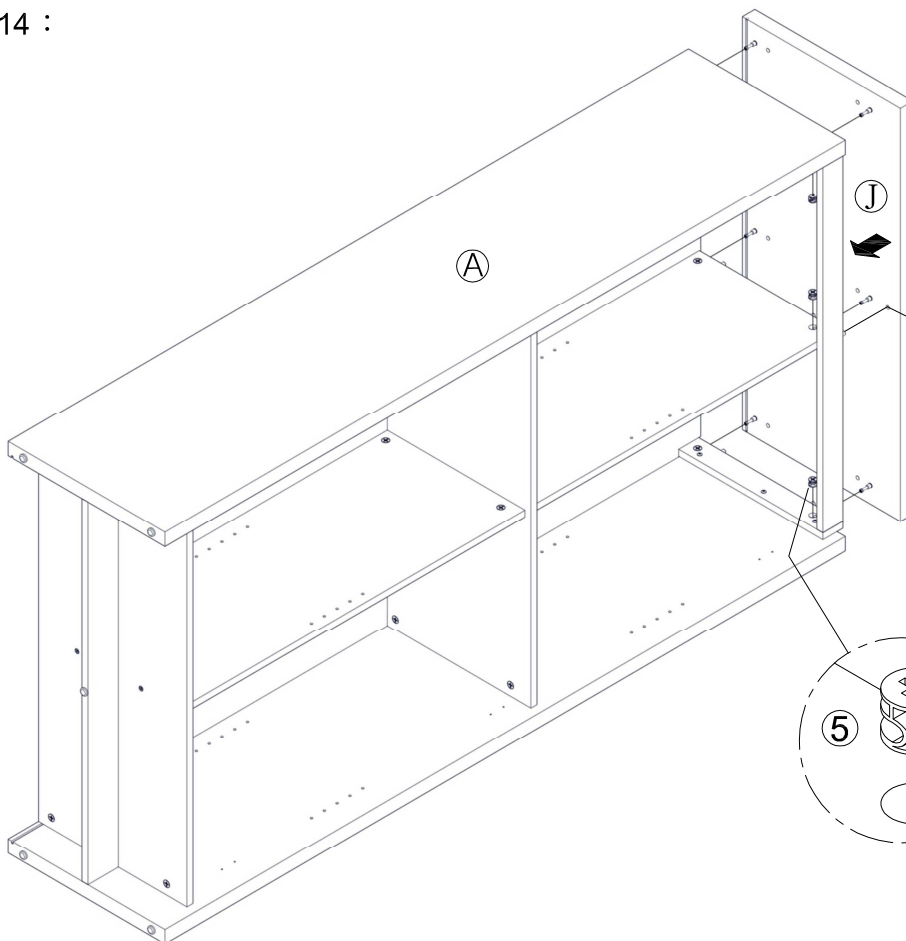
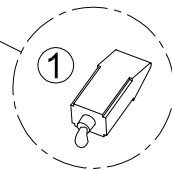
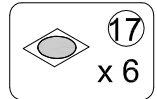
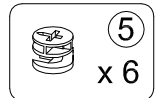
STEP 13 :



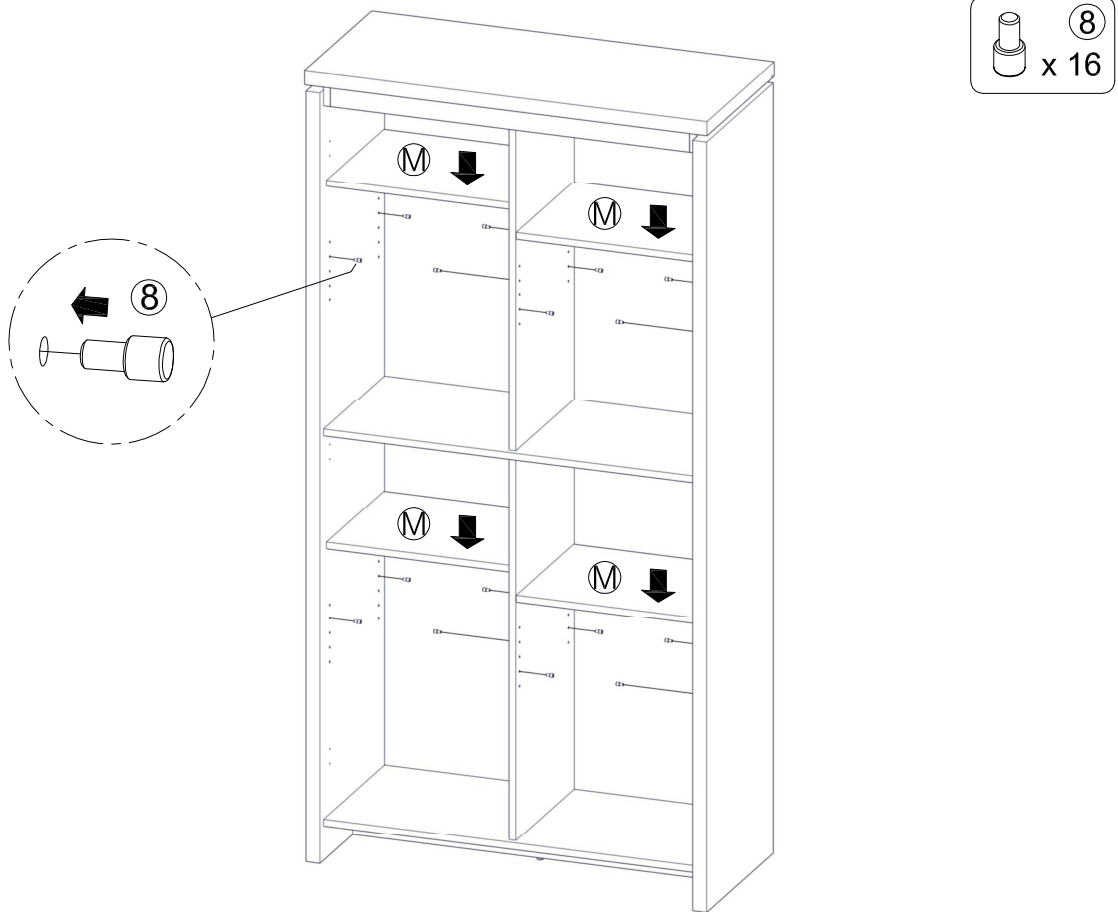
Apply glue on all wooden dowels to ensure integrity of the structure.



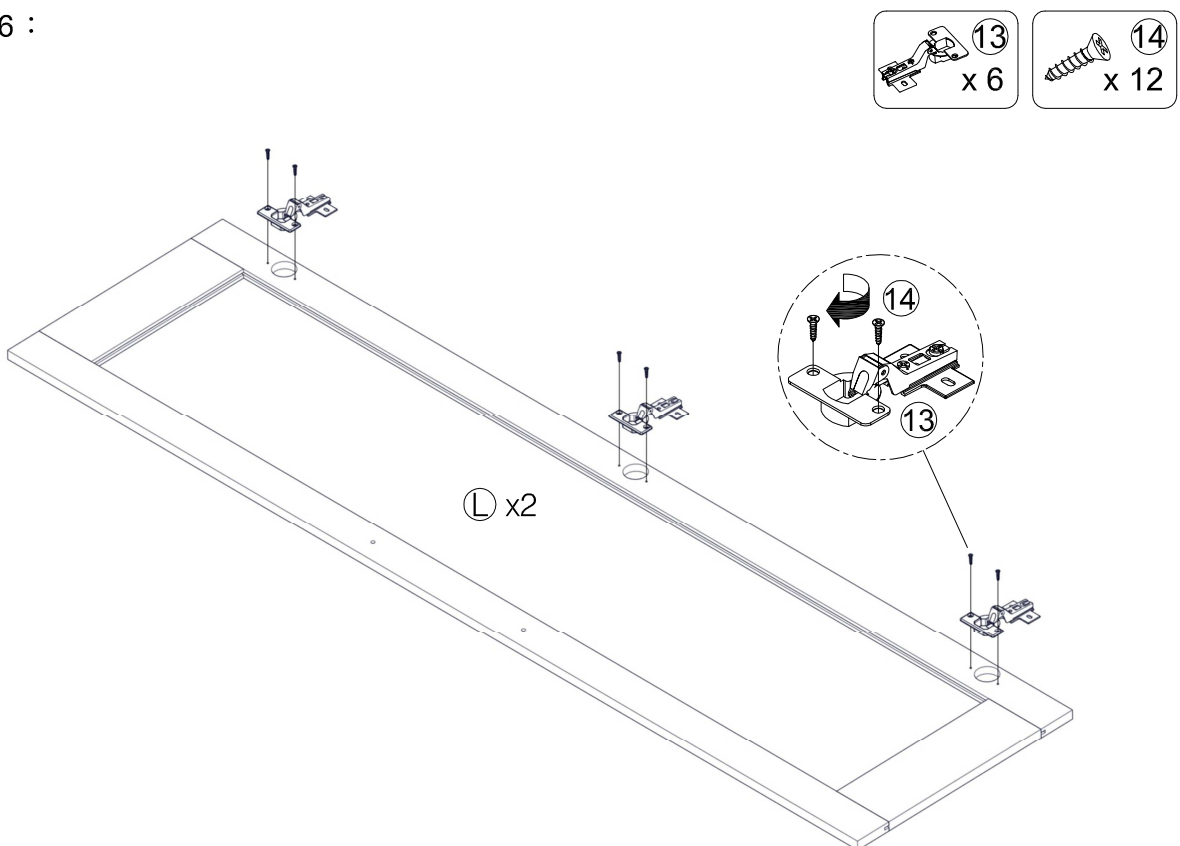
STEP 14 :



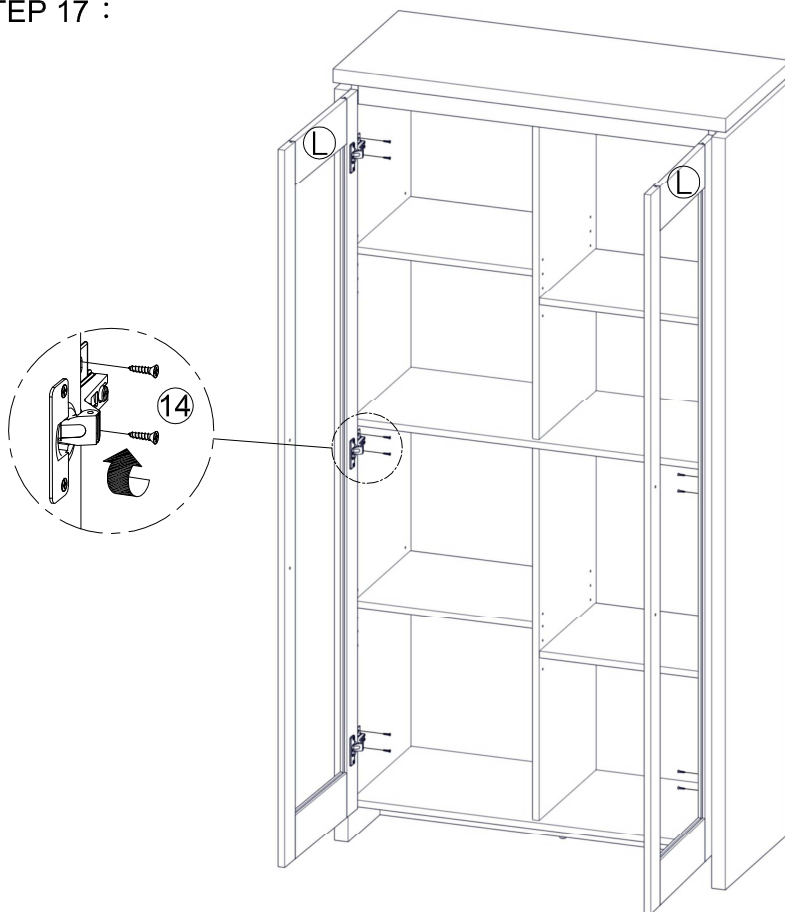
STEP 15 :



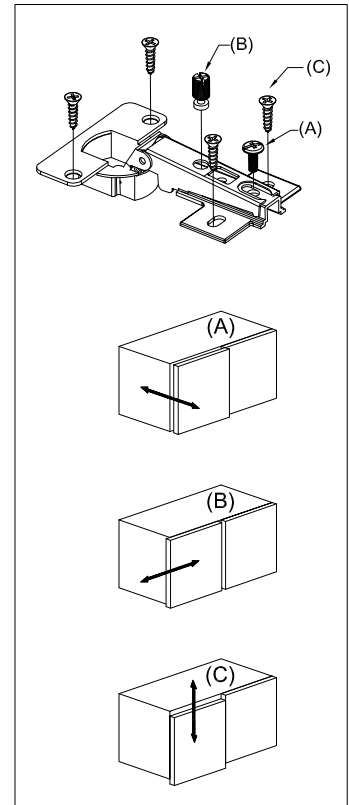
STEP 16 :



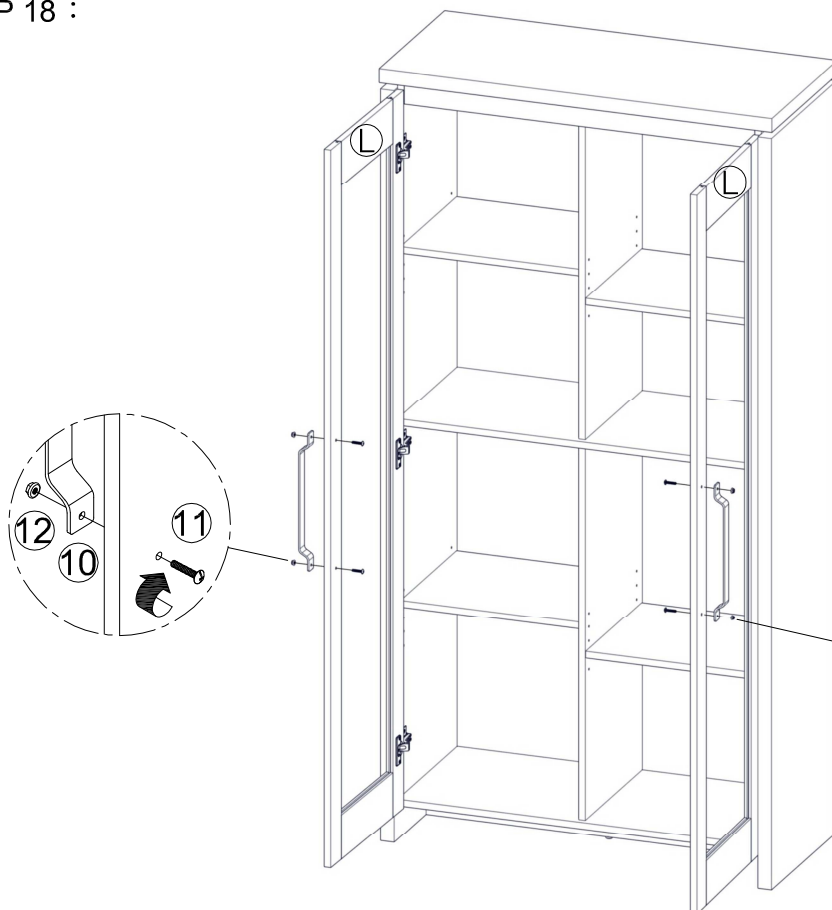
STEP 17 :



14
x 12



STEP 18 :

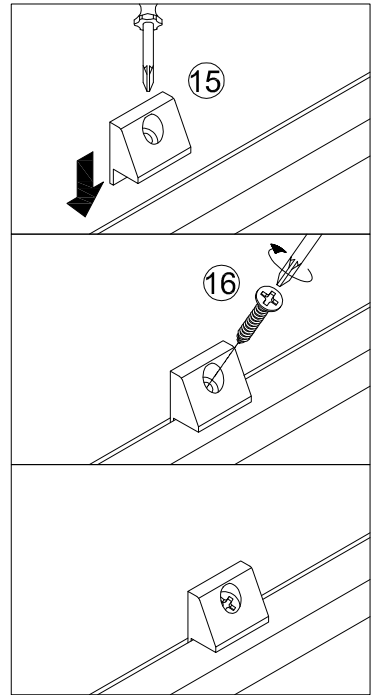
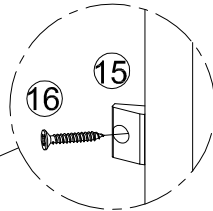
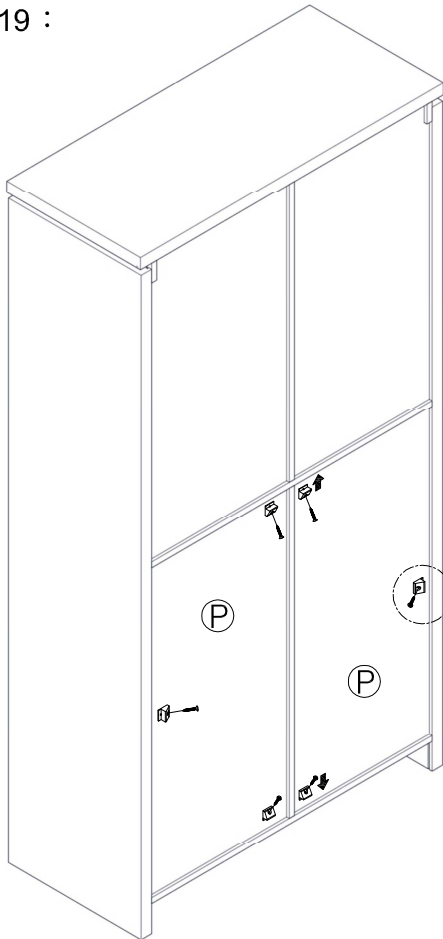
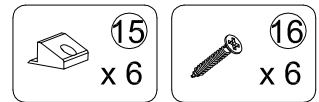


10
x 2

11
x 4

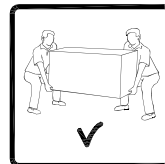
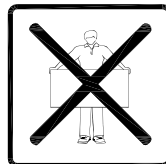
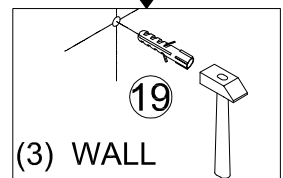
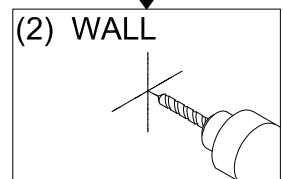
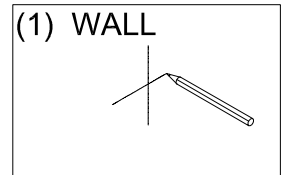
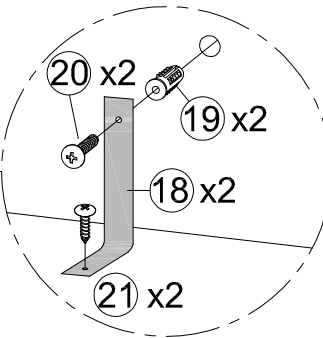
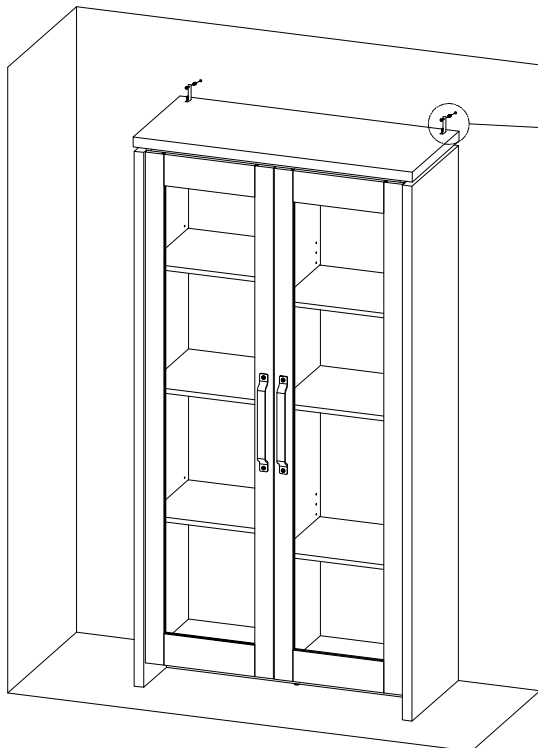
12
x 4

STEP 19 :



STEP 20 : ATTENTION: ANTI TIPPING SAFEGUARD

Please install the anti-tipping hardware as shown in the drawing. This can help to prevent any tipping issues.



FURNITURE TIPPING RESTRAINT

WARNING

Injury may result from tipping furniture
 This restraint is not a substitute for proper adult supervision.
 This restraint may provide protection against tipping furniture.
 Do not allow children to climb on furniture.
 Failure to detach this restraint before moving furniture may result in injury and damage