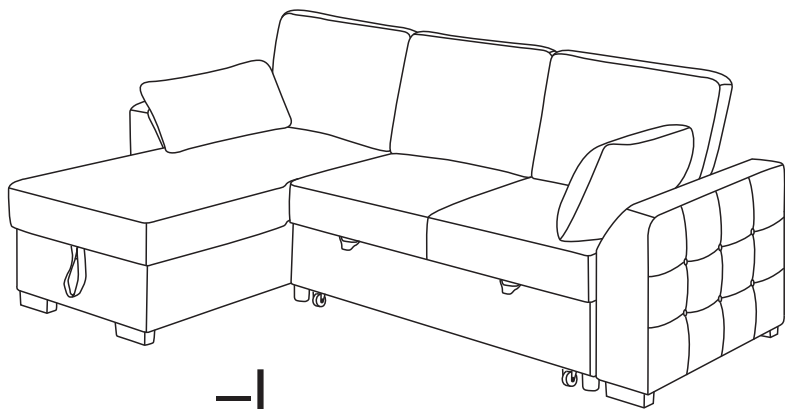
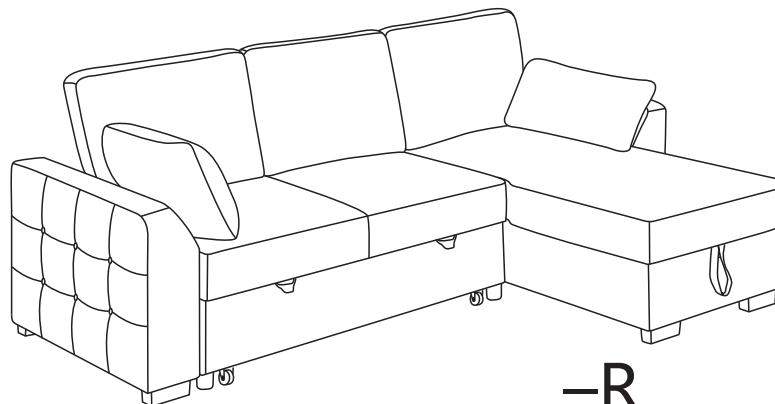


ASSEMBLY INSTRUCTION

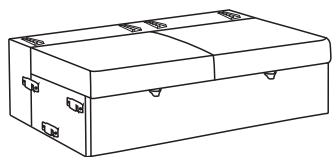


-L



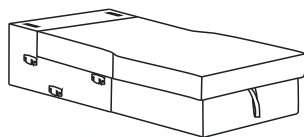
-R

PARTS LIST



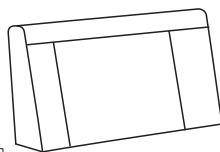
A

X1



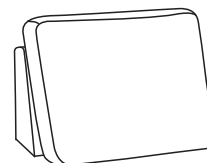
B

X1



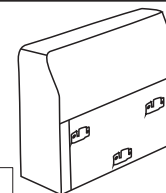
C

X2



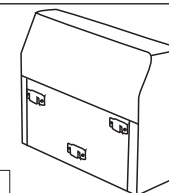
D

X1



E

X1



F

X1



G

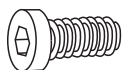
X2



H

X2

HARDWARE LIST



M6X25

1

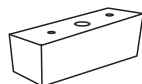
X8



M4

2

X1



150x60x50mm

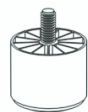
3

X6



4

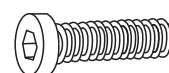
X4



∅60x50mm

5

X6



M8X60

6

X6



M5

7

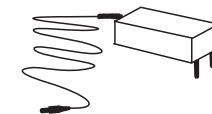
X1



M5X50

8

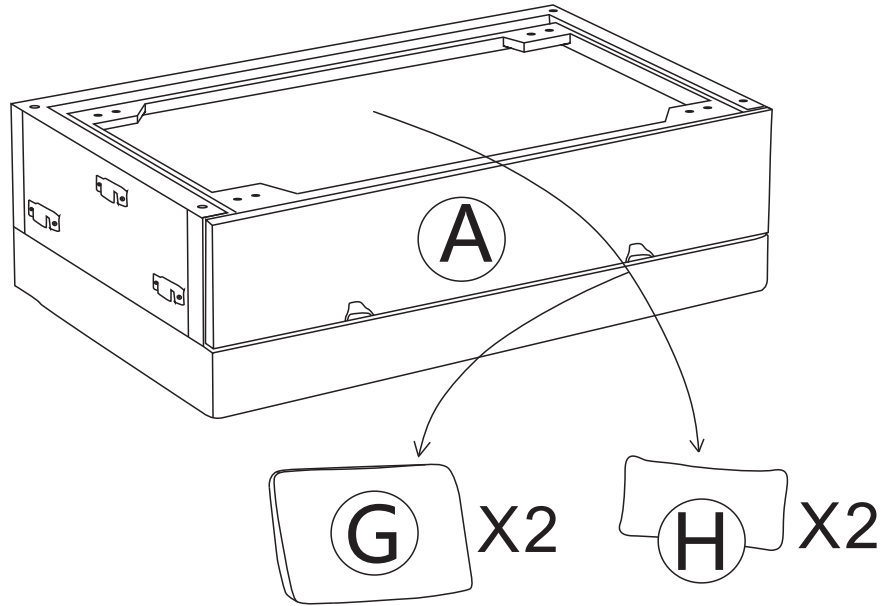
X12



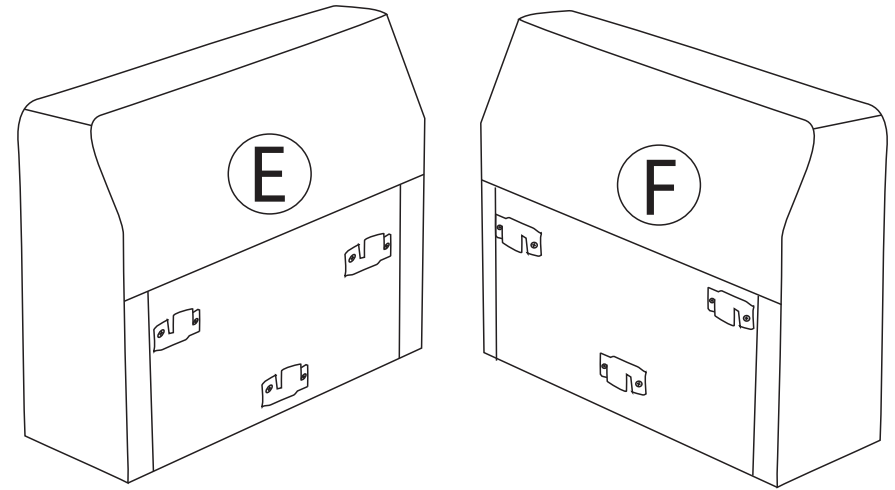
9

X1

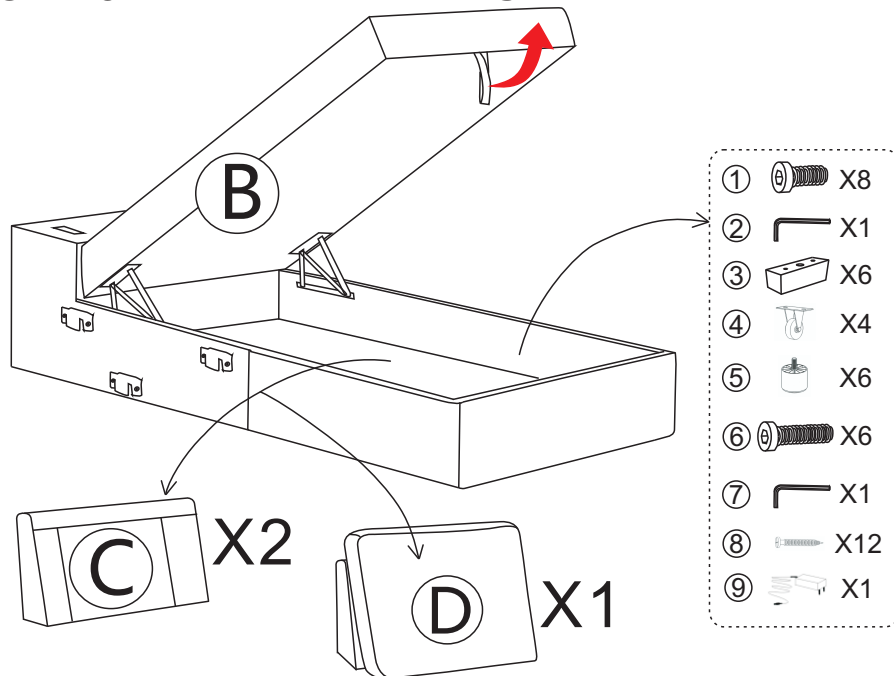
BOX -1 HARDWARE LIST



BOX -2 HARDWARE LIST



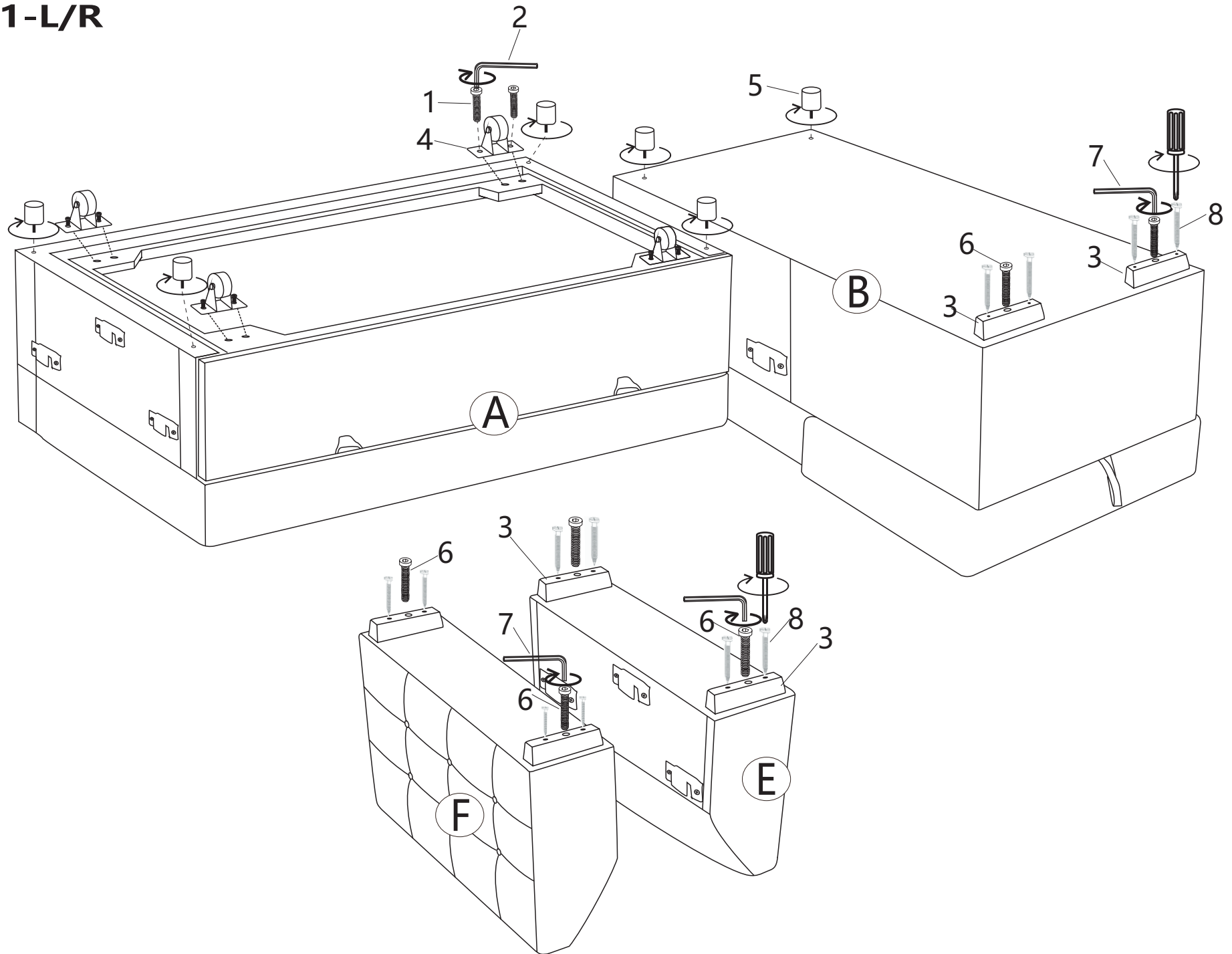
BOX -3 HARDWARE LIST



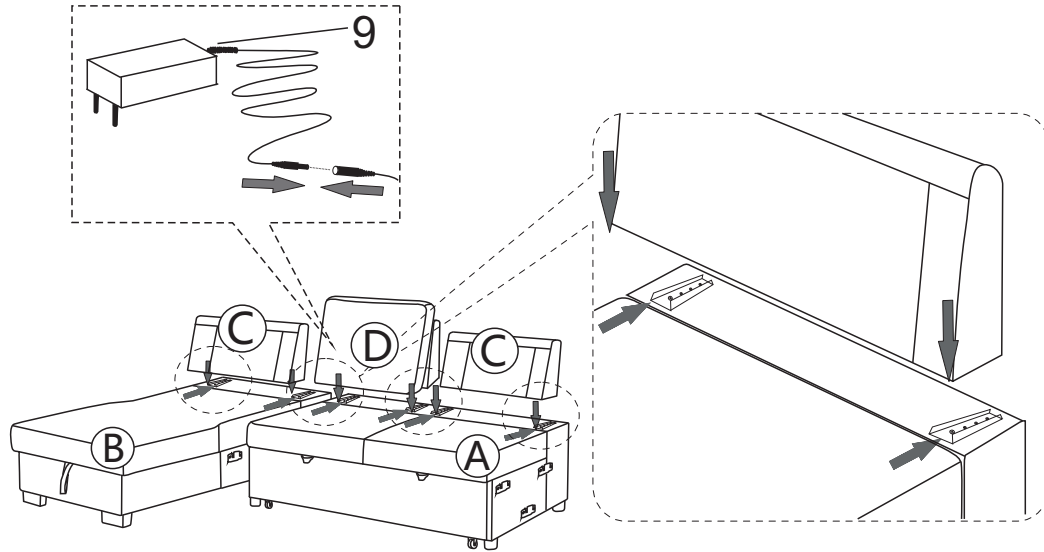
Unpacking steps:

1. BOX-3
2. BOX-1
3. BOX-2

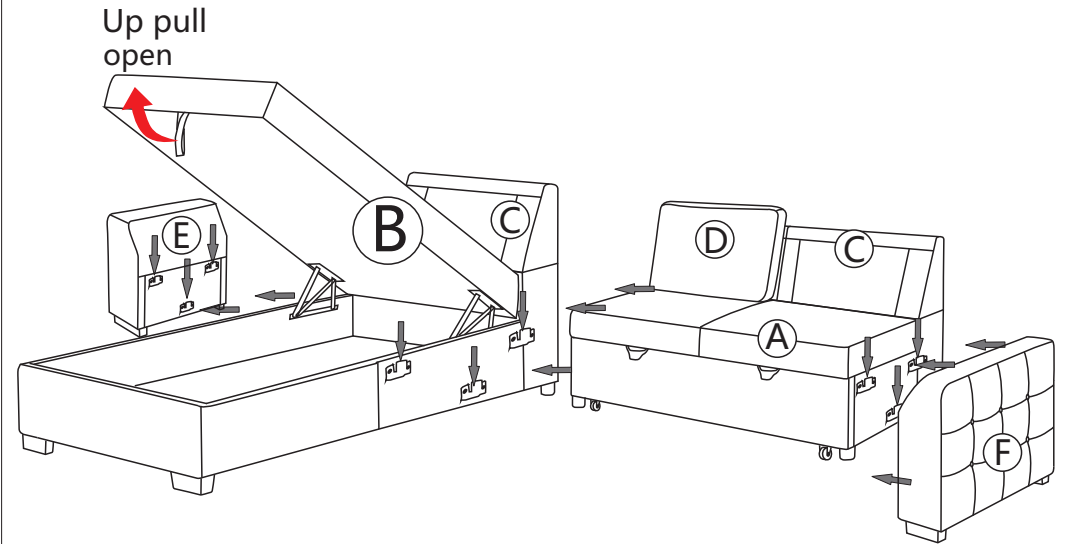
Step1-L/R



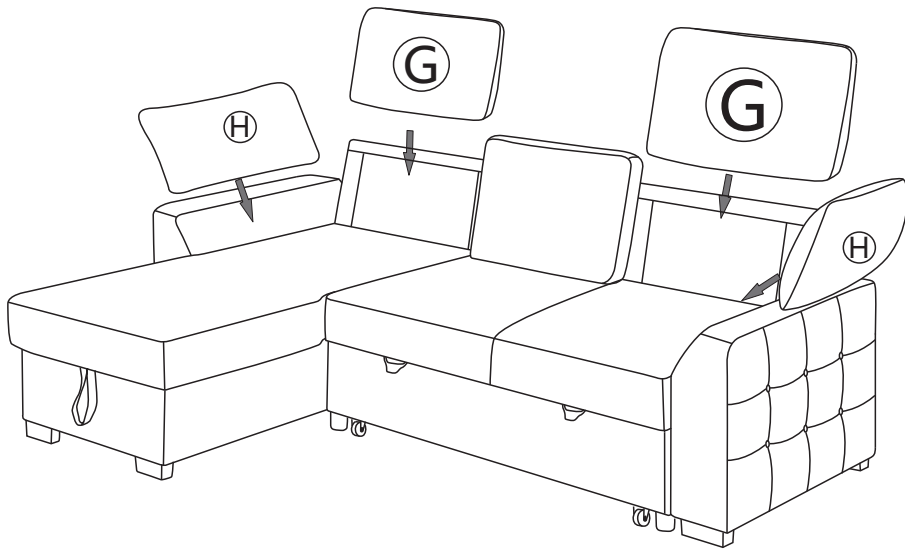
Step2-L



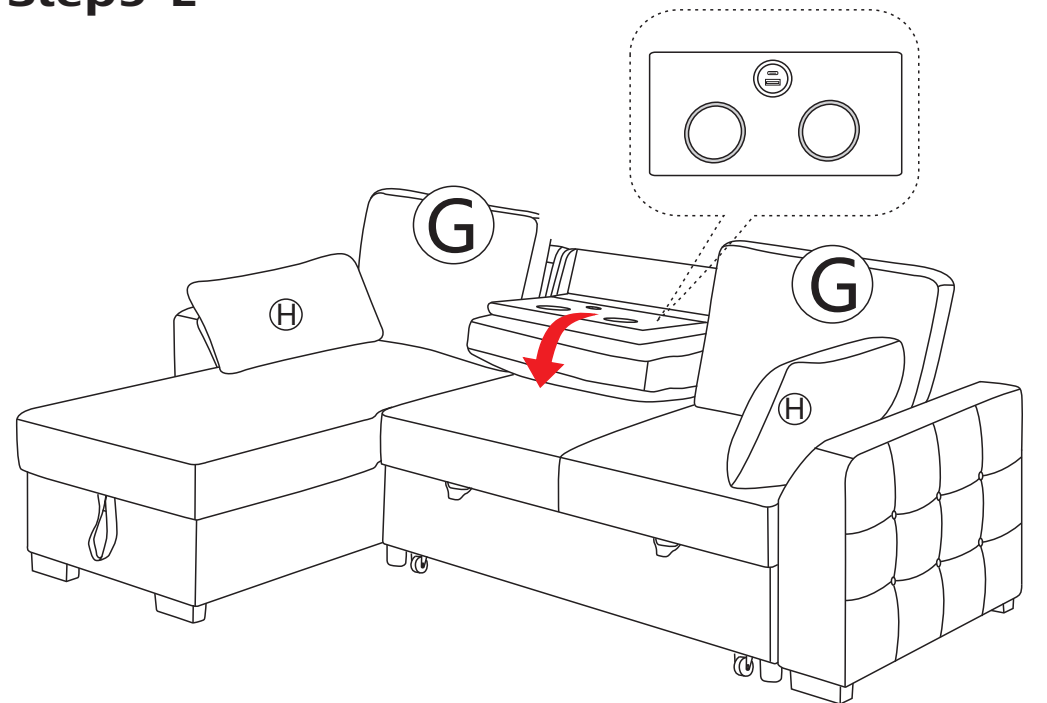
Step3-L



Step4-L

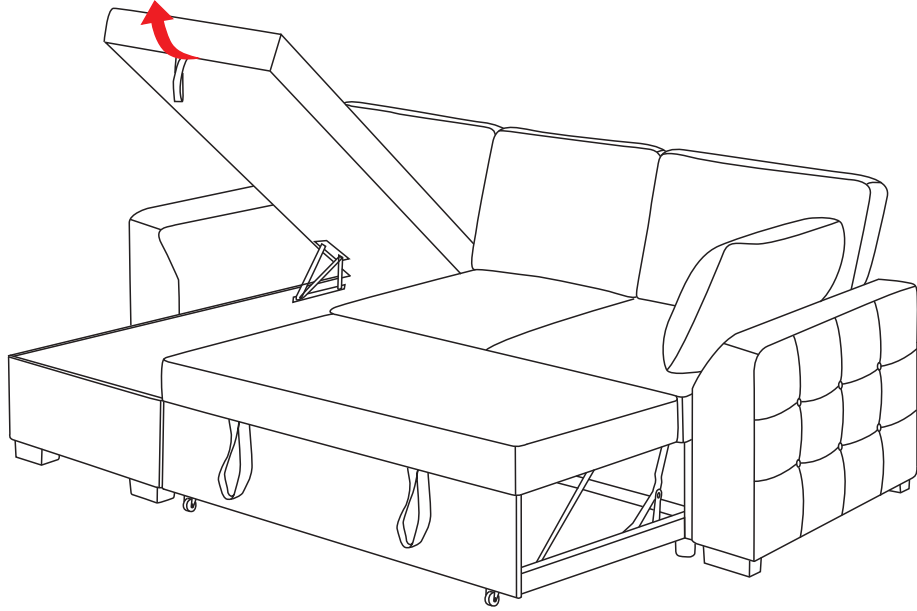


Step5-L

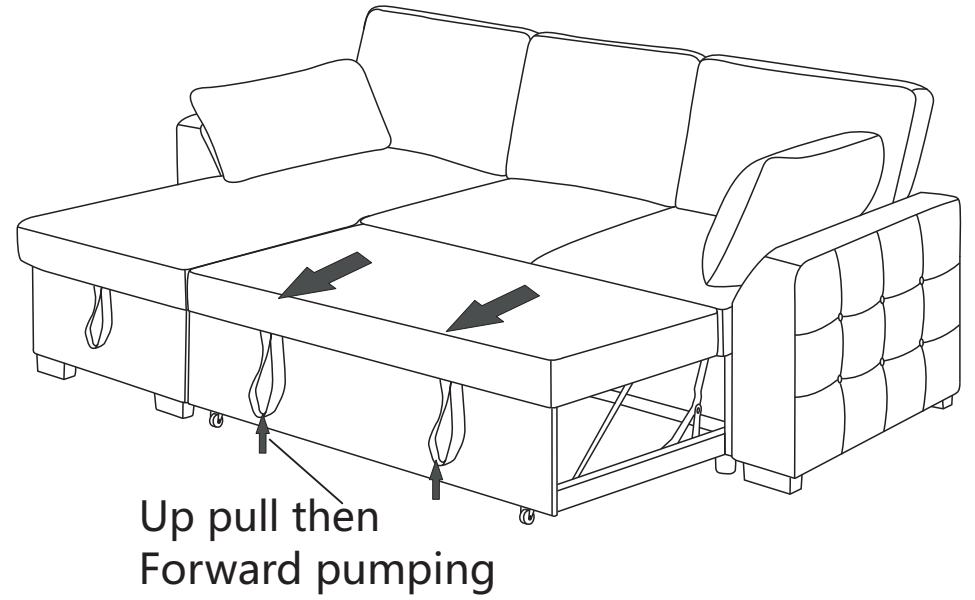


Step6-L

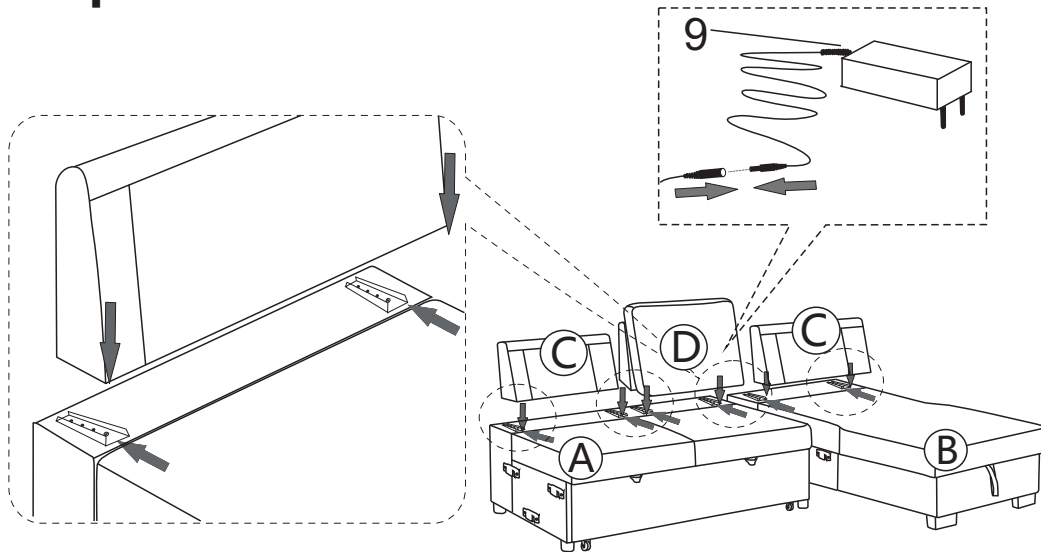
Up pull
open



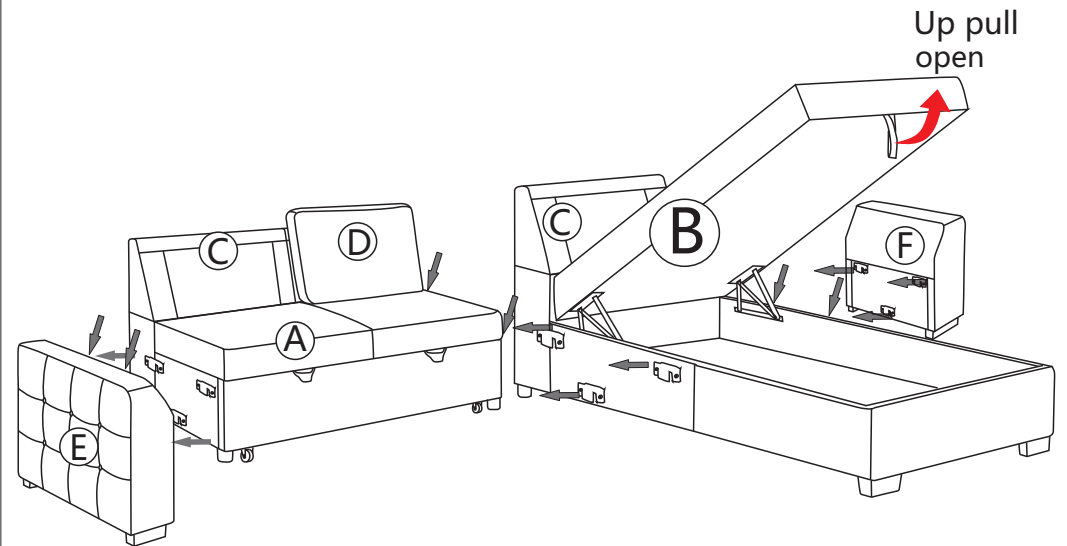
Step7-L



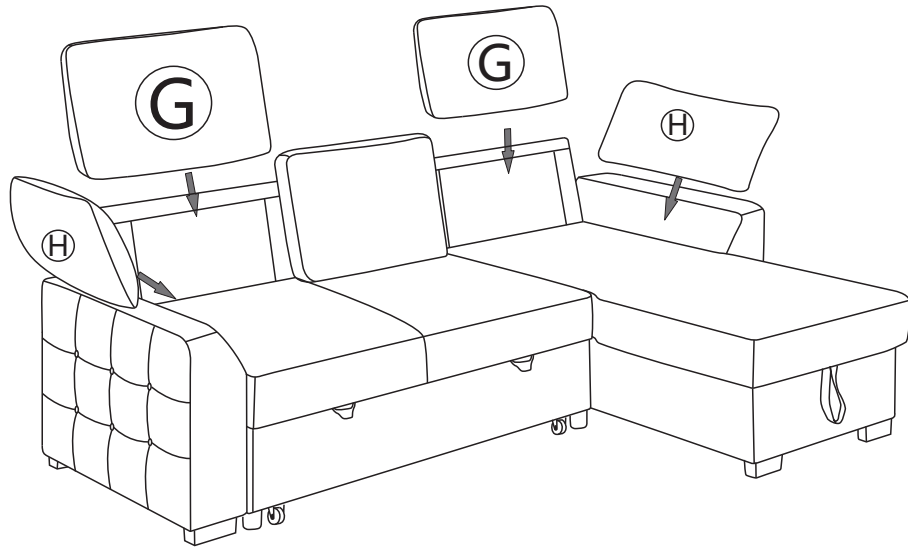
Step2-R



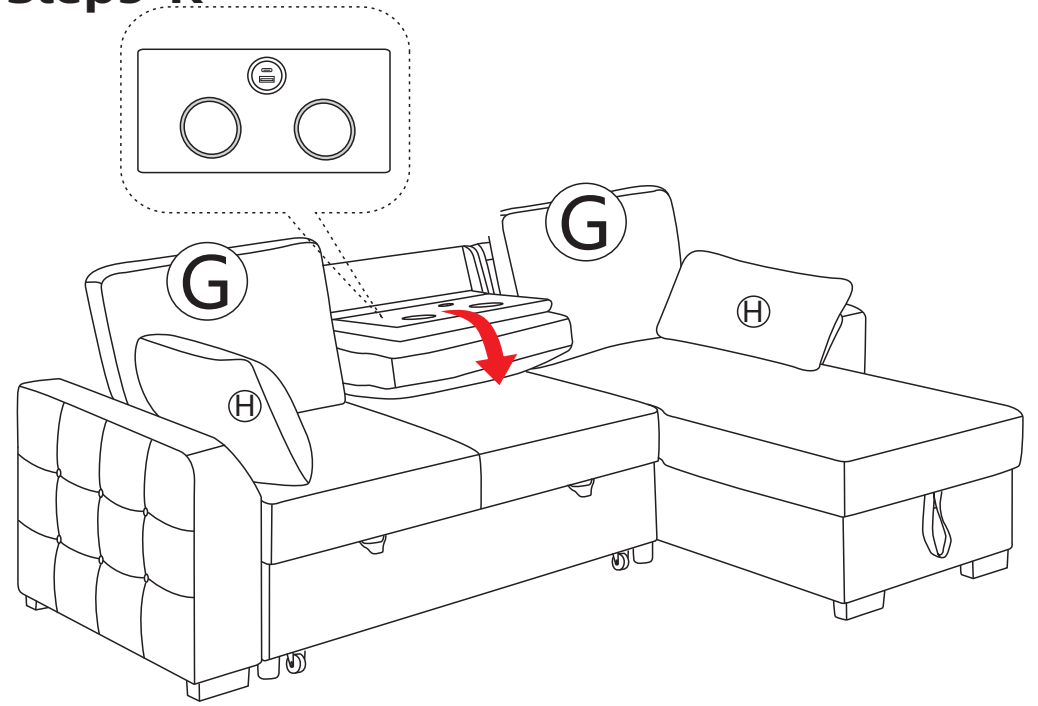
Step3-R



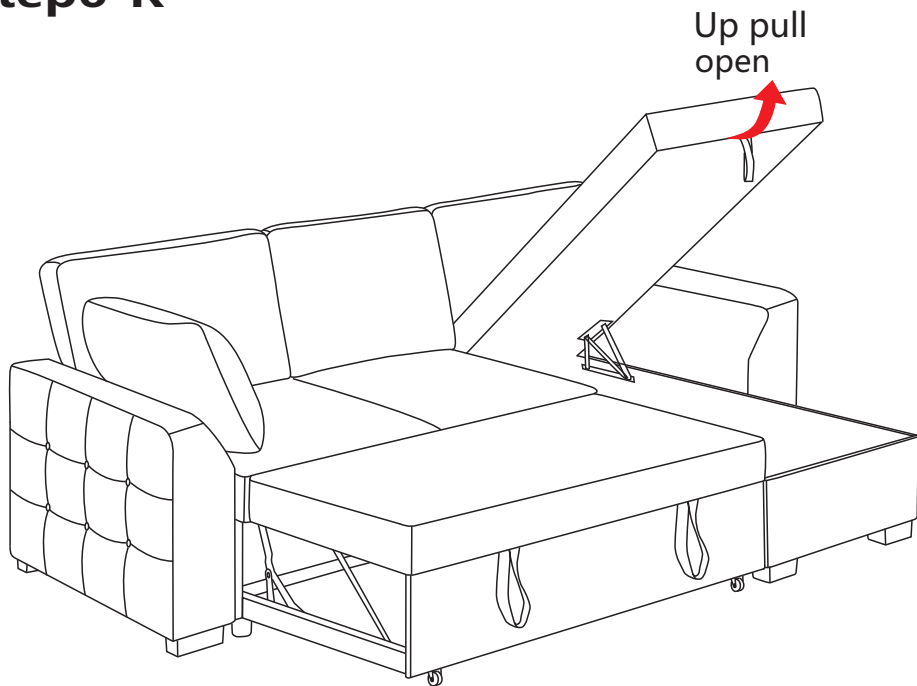
Step4-R



Step5-R



Step6-R



Step7-R

