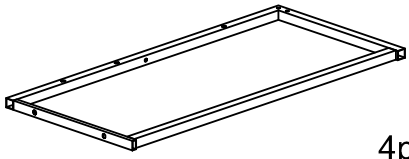
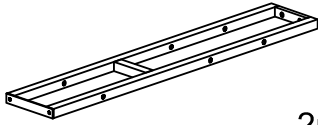
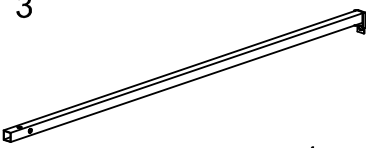
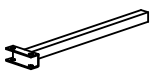
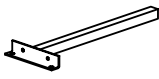
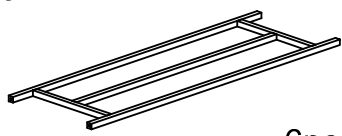



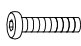

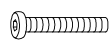
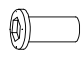


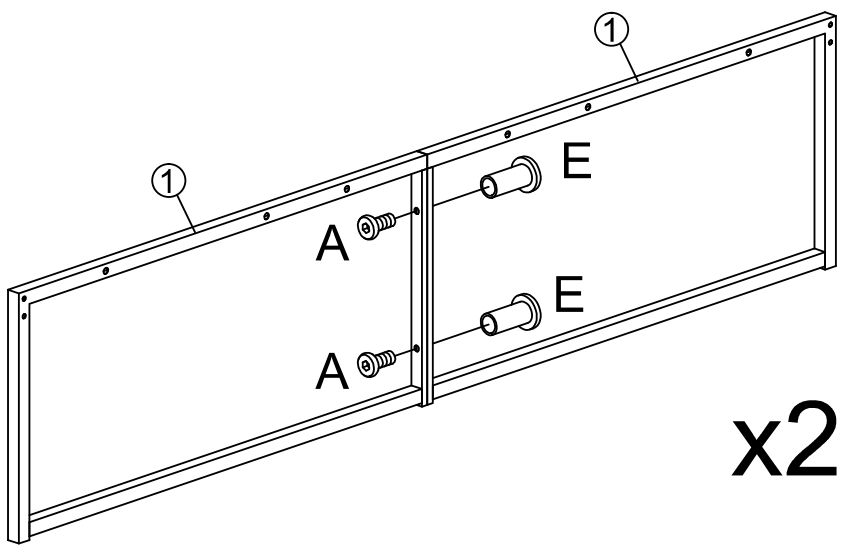
Assembly Instruction

Parts List

<p>1</p>  <p>4pcs</p>	<p>2</p>  <p>2pcs</p>	<p>3</p>  <p>4pcs</p>		
<p>4</p>  <p>1pc</p>	<p>5</p>  <p>2pcs</p>	<p>6</p>  <p>6pcs</p>		
<p>7</p>  <p>6pcs</p>	<p>F</p>  <p>2pcs</p>			
<p>A</p>  <p>M6x12 14pcs</p>	<p>B</p>  <p>M6x18 2pcs</p>	<p>C</p>  <p>M6x25 4pcs</p>	<p>D</p>  <p>M6x32 32pcs</p>	<p>E</p>  <p>10pcs</p>

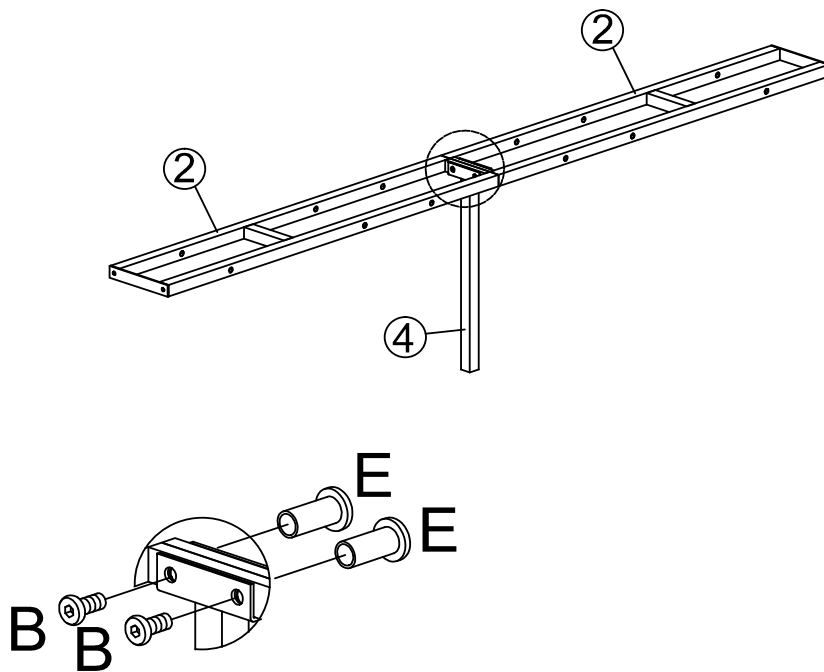
Assembly Step

Step 1

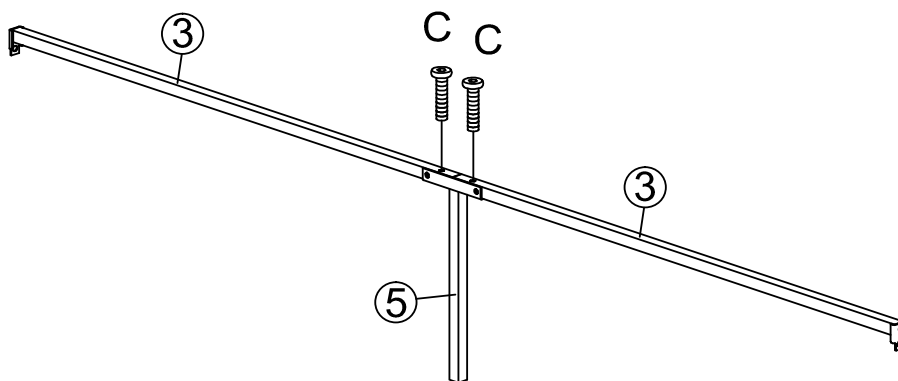


Assembly Step

Step 2



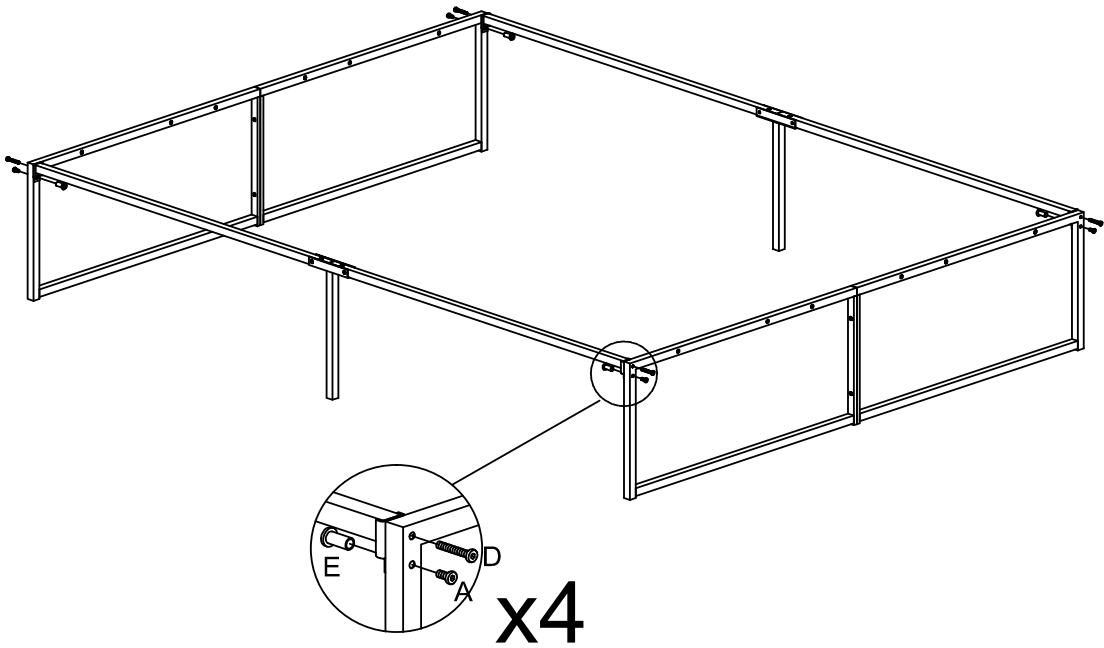
Step 3



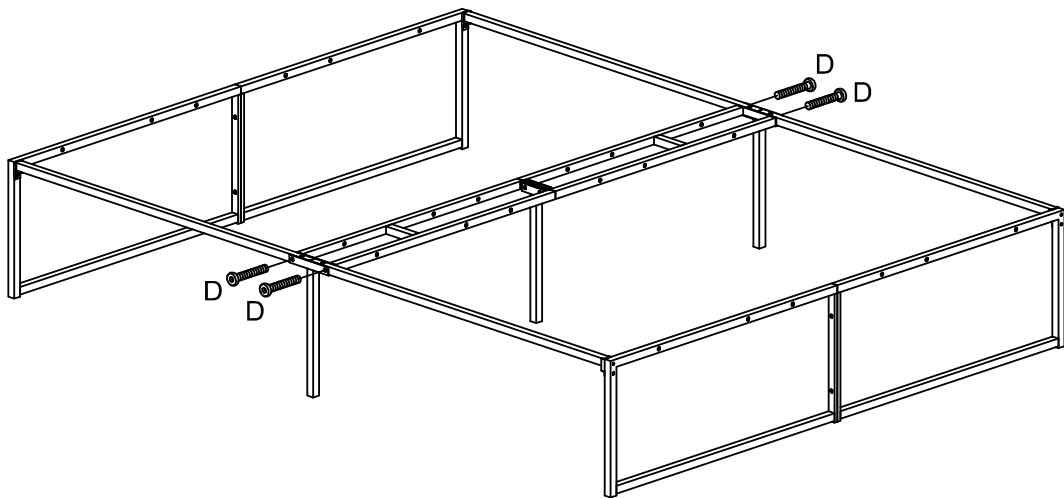
x2

Assembly Step

Step 4

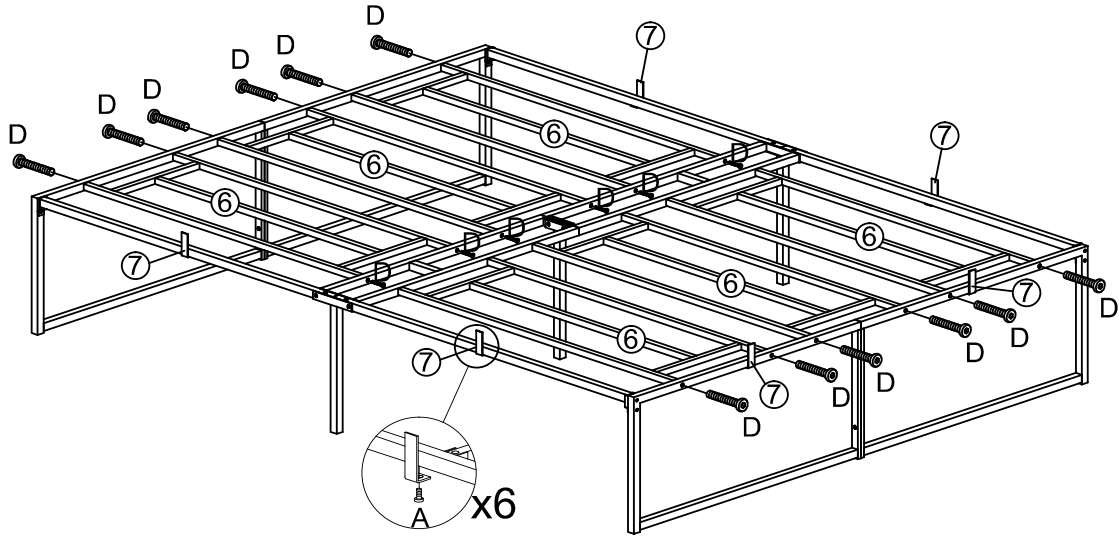


Step 5

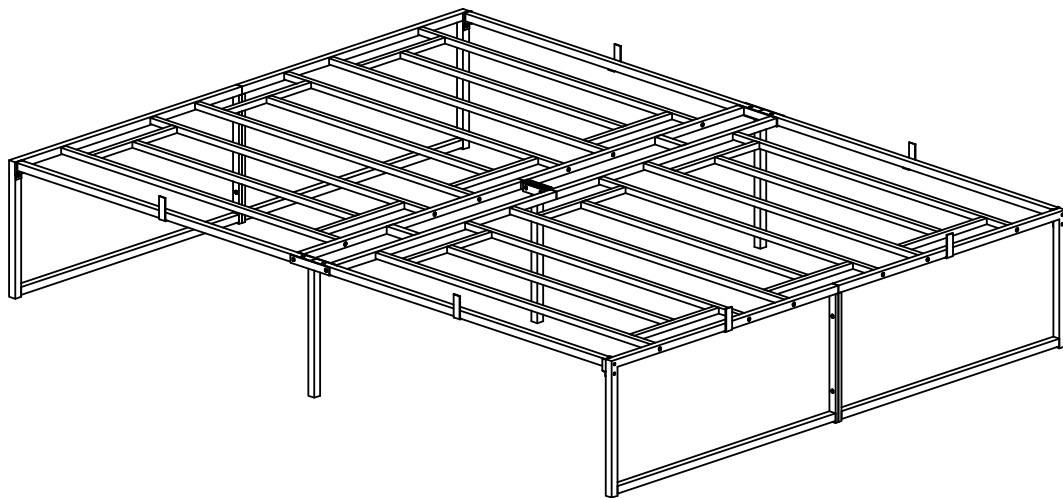


Assembly Step

Step 6



Step 7



Care and Maintenance

- Use a soft, clean cloth that will not scratch the surface when dusting
- Use of furniture polish is not necessary. Should you choose to use polish, test first in an inconspicuous area.
- Using solvents of any kind on your furniture may damage the finish.
- Never use water to clean your furniture as it may cause damage to the finish.
- Always use coasters under beverage glasses and flowerpots.
- Always use protective pads under hot dishes and plates. Heat can cause chemical changes that may create spotting within the furniture.

Further advice about wood furniture care

- It is best to keep your furniture in a climate-controlled environment.
- Temperature and humidity changes can cause fading, warping, shrinking and splitting of wood. It is advised to keep furniture away from direct sunlight as sun may damage the finish.
- Proper care and cleaning at home will extend the life of your purchase. Following these important and helpful tips will enhance your furniture as it ages.

The product is warranted for a period of 12 months from the original date of purchase under the terms and conditions of this warranty. Acts of nature, or misuse, are not covered.

Warranty valid for residential use and commercial use. Original receipt and photographs of failure may be requested. Our reserves the right to replace defective parts, or refund monies at its sole discretion.

We hope you enjoy your purchase for many years.

Thank you for your purchase!