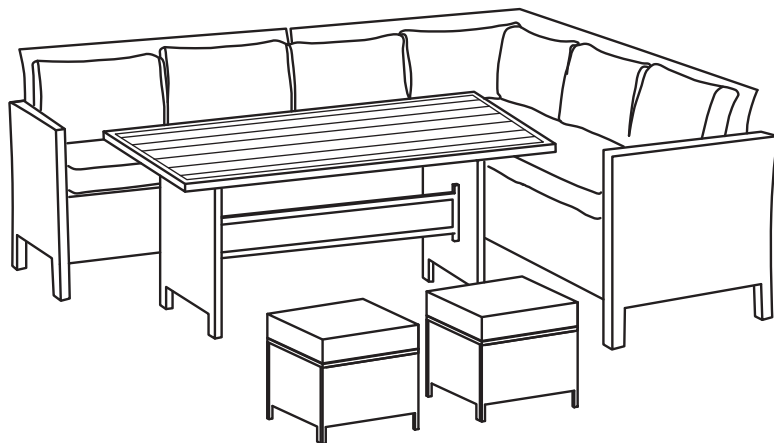


**CORNER SOFA SET**  
**(GREY/GREY) POLYWOOD TABLE TOP**  
**(BLACK/GREY) POLYWOOD TABLE TOP**

*Instruction manual*





# SAFETY AND CARE ADVICE

PLEASE READ THESE INSTRUCTIONS CAREFULLY AND KEEP FOR FUTURE

- Check you have all the components and tools listed on pages 2 and 3.
- Remove all fittings from the plastic bags and separate them into their groups.
- Keep children and animals away from the work area, small parts could choke if swallowed.
- Make sure you have enough space to layout the parts before starting.
- Do not stand or put weight on the product, this could cause damage.
- Assemble on a soft level surface to avoid damaging the unit or your floor (use opened out unit carton).
- We do not recommend the use of power drill/drivers for inserting screws, as this could damage the unit. Only use hand screwdrivers.
- If there is any chance of this unit being pulled over by children etc. It is recommended that the unit is secured to a wall using suitable fixings.
- Dispose of all packaging carefully and responsibly.



## Care and maintenance

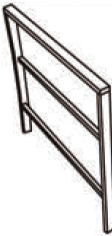










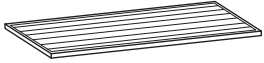

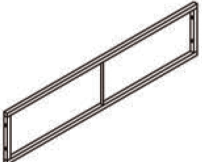
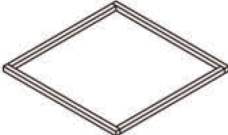
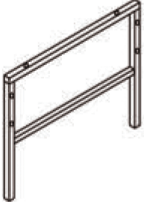

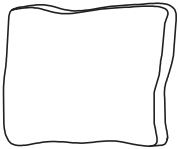


Only clean using a damp cloth and mild detergent, do not use bleach or abrasive cleaners.

From time to time check that there are no loose screws on this unit.

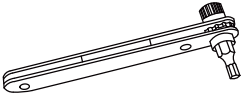

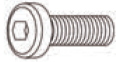




This product should not be discarded with household waste.

Take to your local authority waste disposal center.

# COMPONENTS

|  |  |   |  |
|--|--|---|--|
| <p>A</p>  <p>x1</p>   | <p>B</p>  <p>x1</p>   | <p>C</p>  <p>x1</p>   | <p>D</p>  <p>x1</p>   |
| <p>E</p>  <p>x3</p>   | <p>F</p>  <p>x1</p>   | <p>G</p>  <p>x1</p>   | <p>H</p>  <p>x2</p>   |
| <p>I</p>  <p>x2</p>  | <p>J</p>  <p>x1</p>  | <p>K</p>  <p>x1</p>  | <p>L</p>  <p>x1</p> |
| <p>M</p>  <p>x2</p> | <p>N</p>  <p>x1</p> | <p>P</p>  <p>x2</p> | <p>Q</p>  <p>x4</p> |
| <p>R</p>  <p>x4</p> | <p>S</p>  <p>x7</p> | <p>T</p>  <p>x3</p> | <p>U</p>  <p>x2</p> |

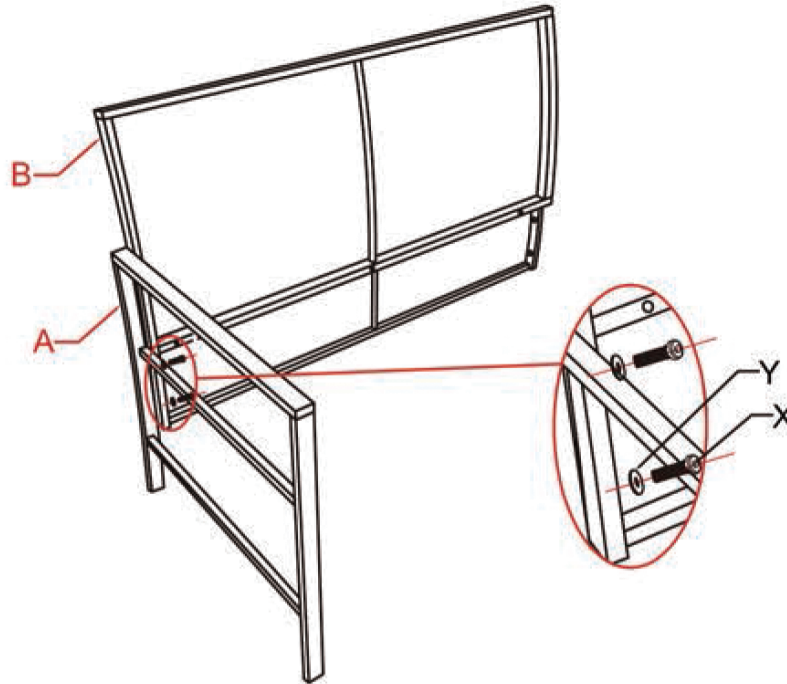
# COMPONENTS

|   |  |  |   |
|---|--|--|---|
| <p>V</p>  <p>x4</p>  | <p>W</p>  <p>M6x15</p> <p>x4</p>  | <p>X</p>  <p>M6x35</p> <p>x46</p> | <p>X1</p>  <p>M6 X50</p> <p>x1</p> |
| <p>Y</p>  <p>x75</p> | <p>Z</p>  <p>M6x30</p> <p>x24</p> | <p>A1</p>  <p>x1</p>             |   |

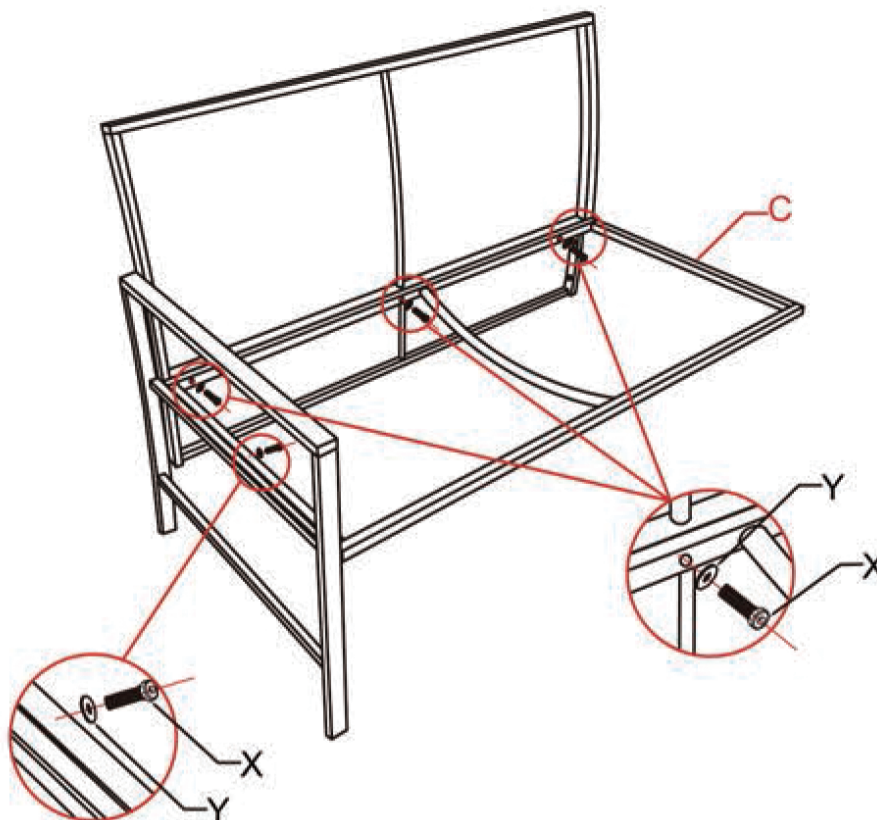
# ASSEMBLY INSTRUCTIONS

---

**step1** Please note, When building this product bolts should be finger tightened until all parts are in place. Only once all parts and bolts are assembled should bolts them be fully tightened using the ratchet.



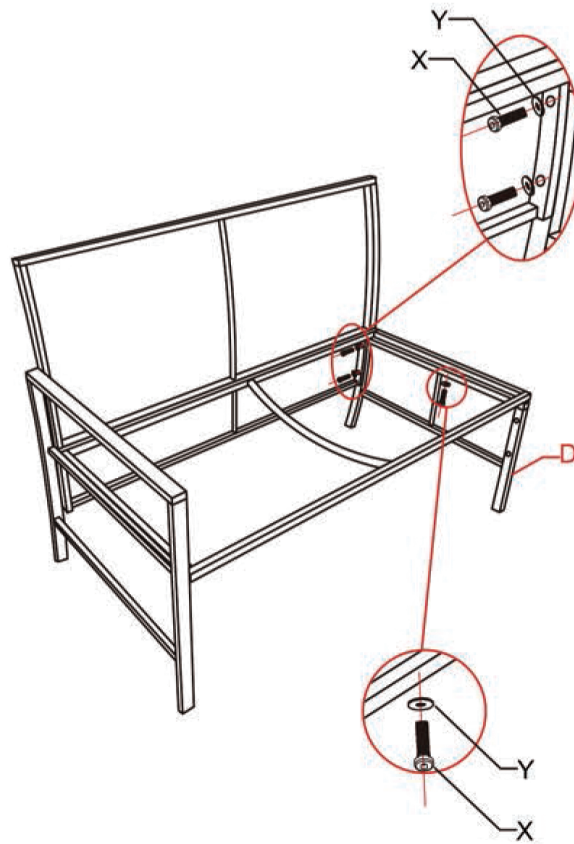
**step2**



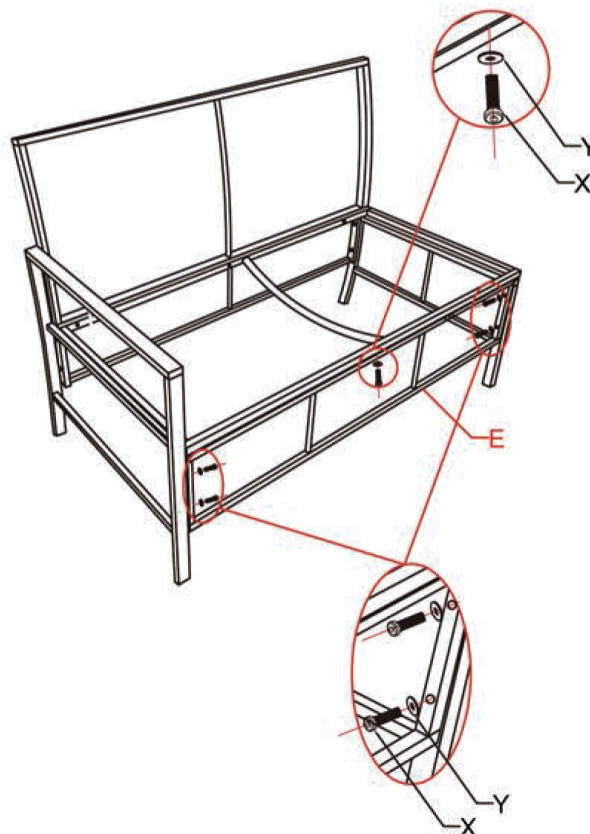
# ASSEMBLY INSTRUCTIONS

---

step3



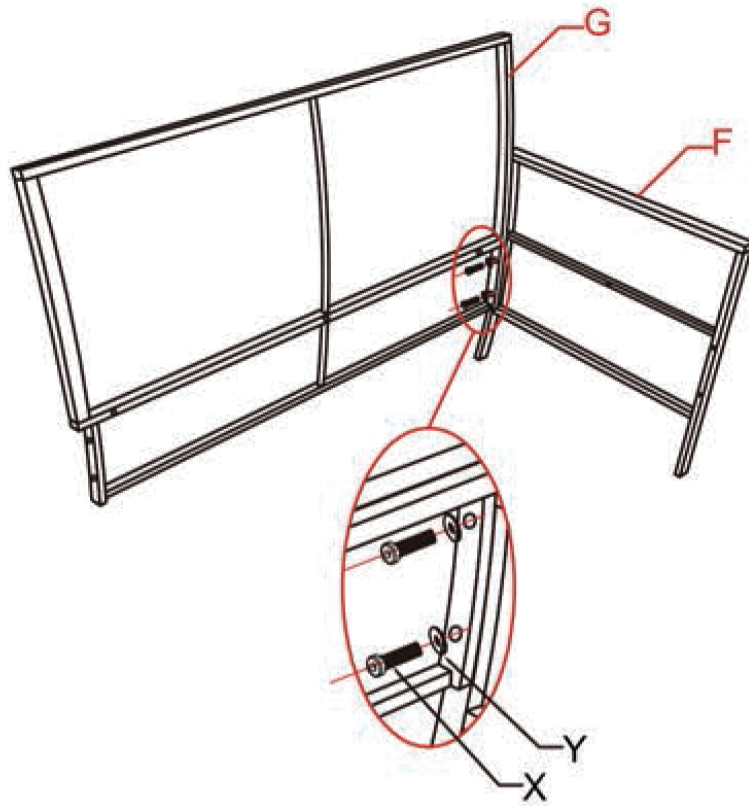
step4



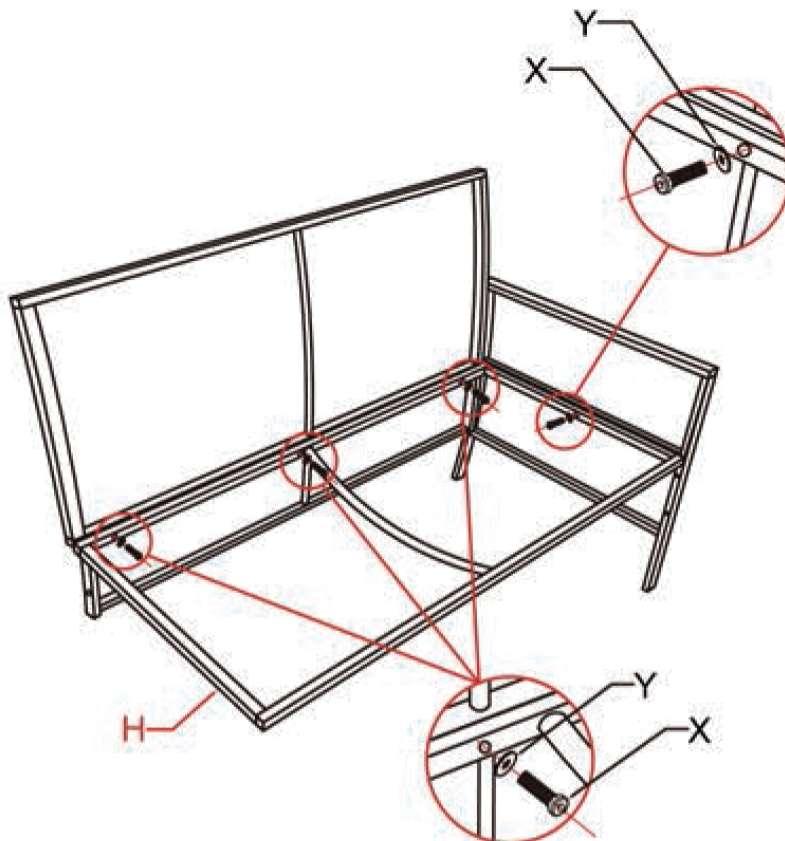
# ASSEMBLY INSTRUCTIONS

---

step5



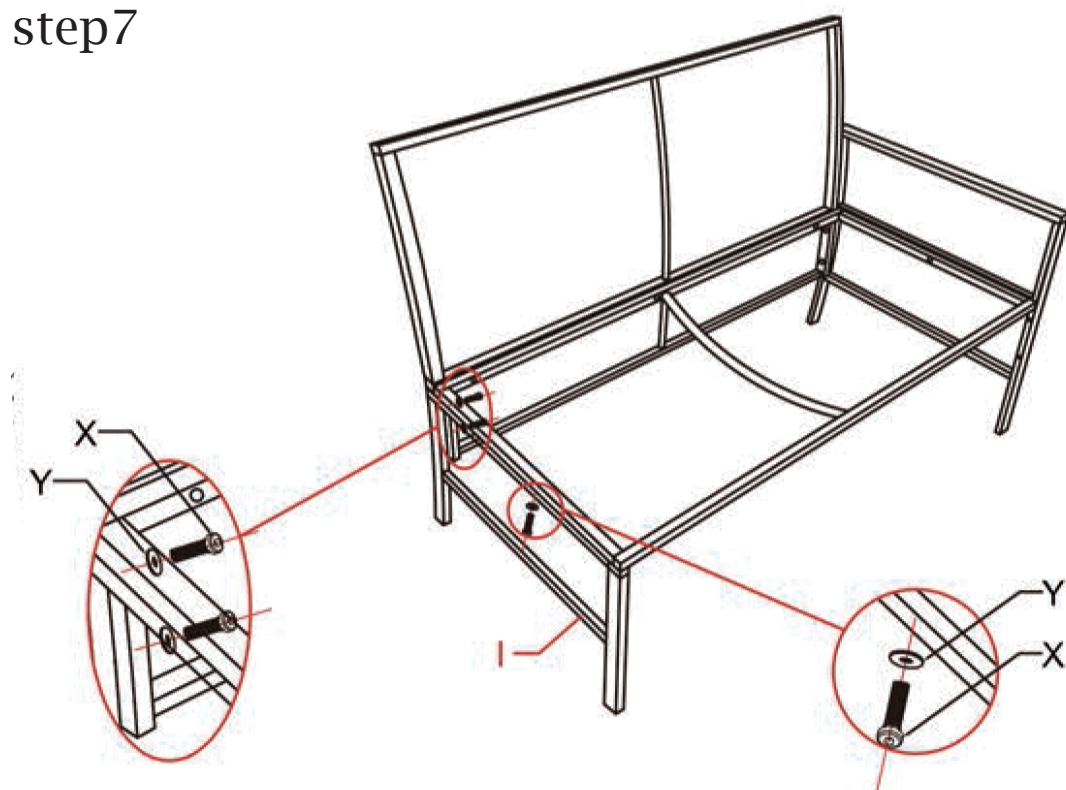
step6



# ASSEMBLY INSTRUCTIONS

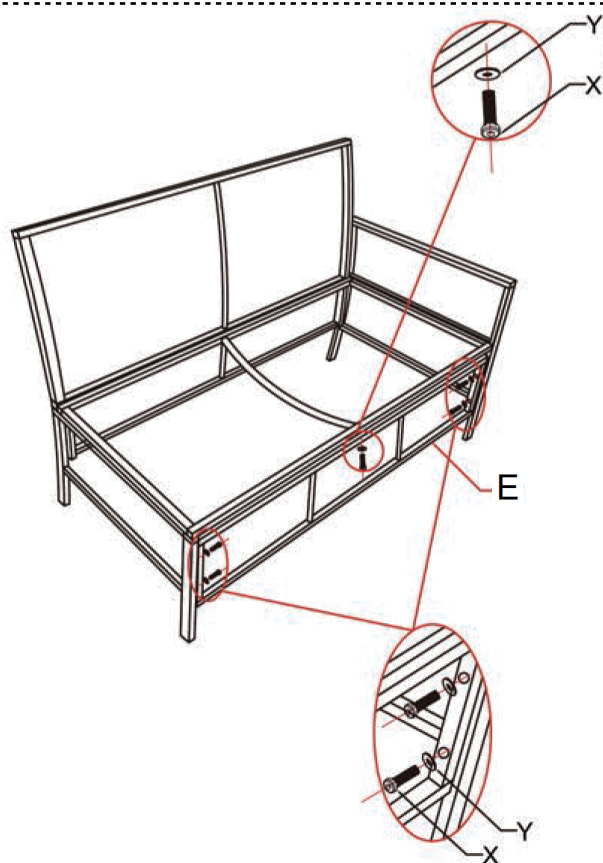
---

step7



---

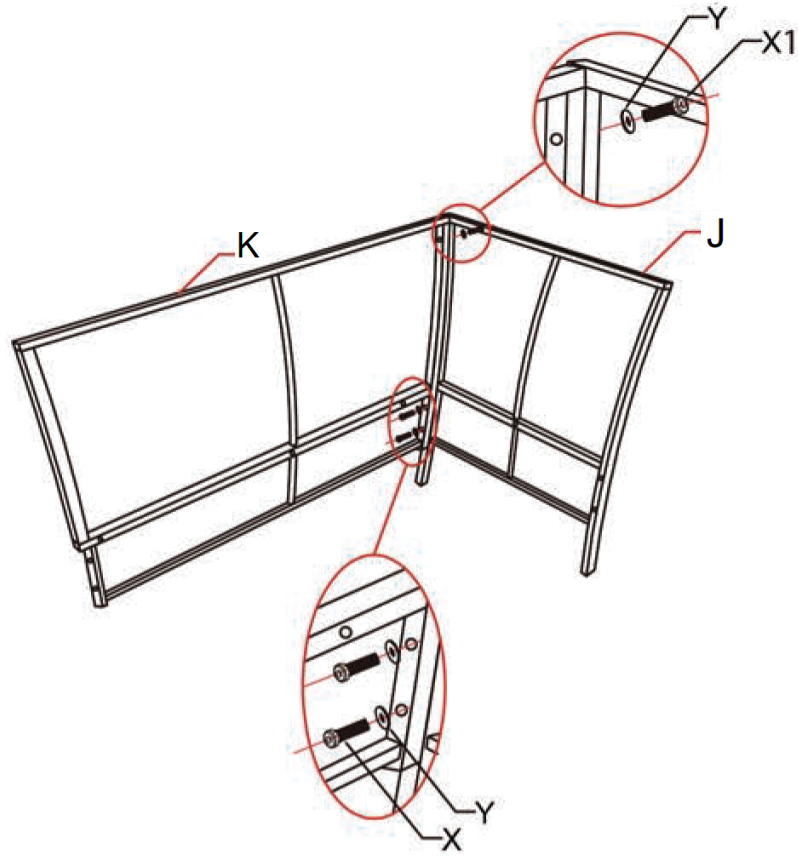
step8



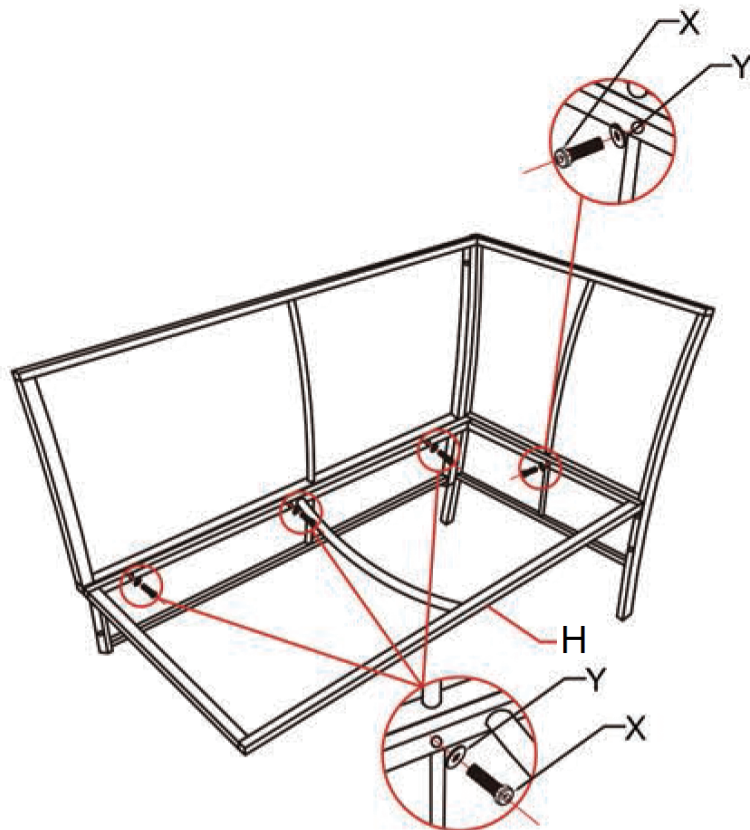
# ASSEMBLY INSTRUCTIONS

---

step9



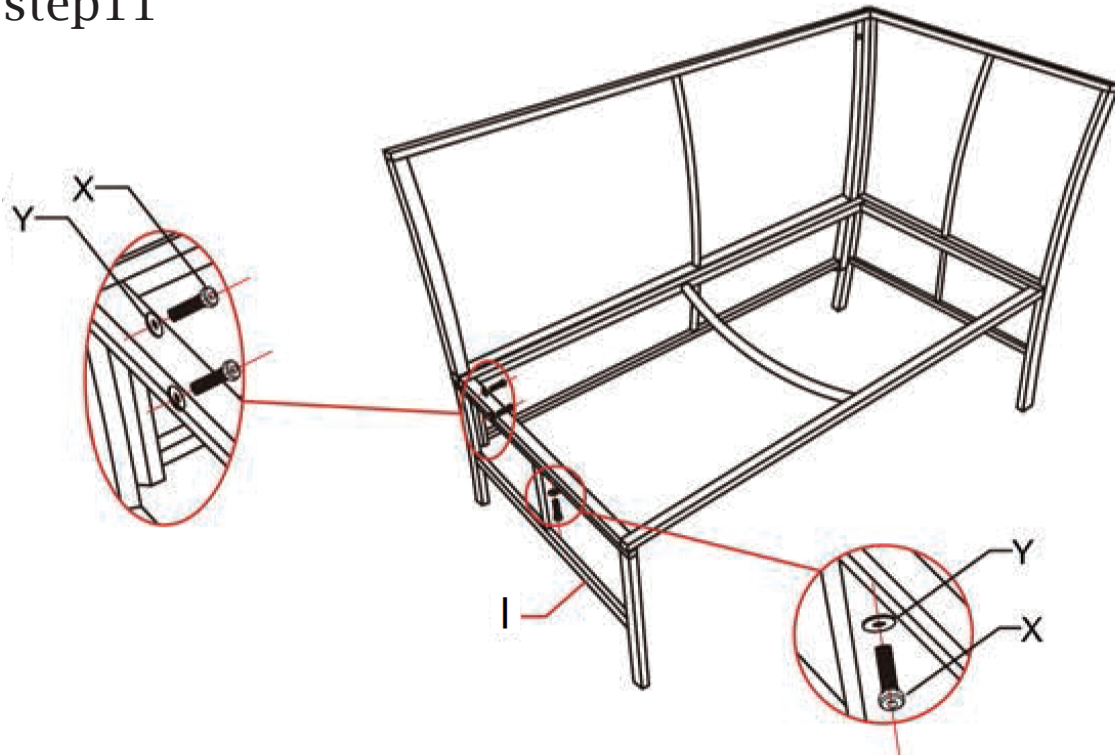
step10



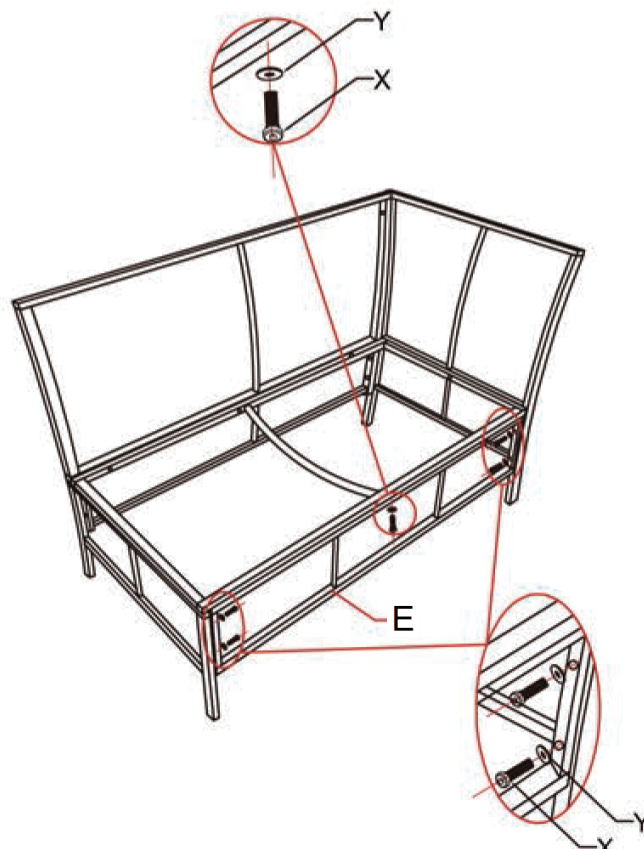
# ASSEMBLY INSTRUCTIONS

---

step11



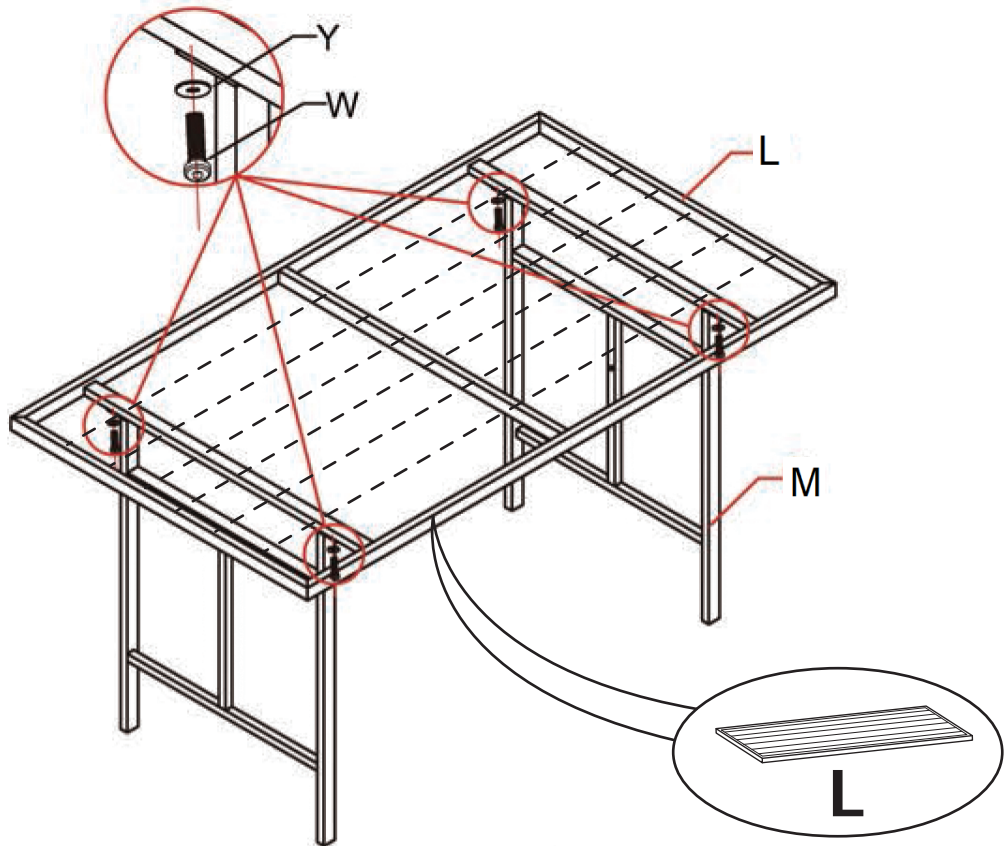
step12



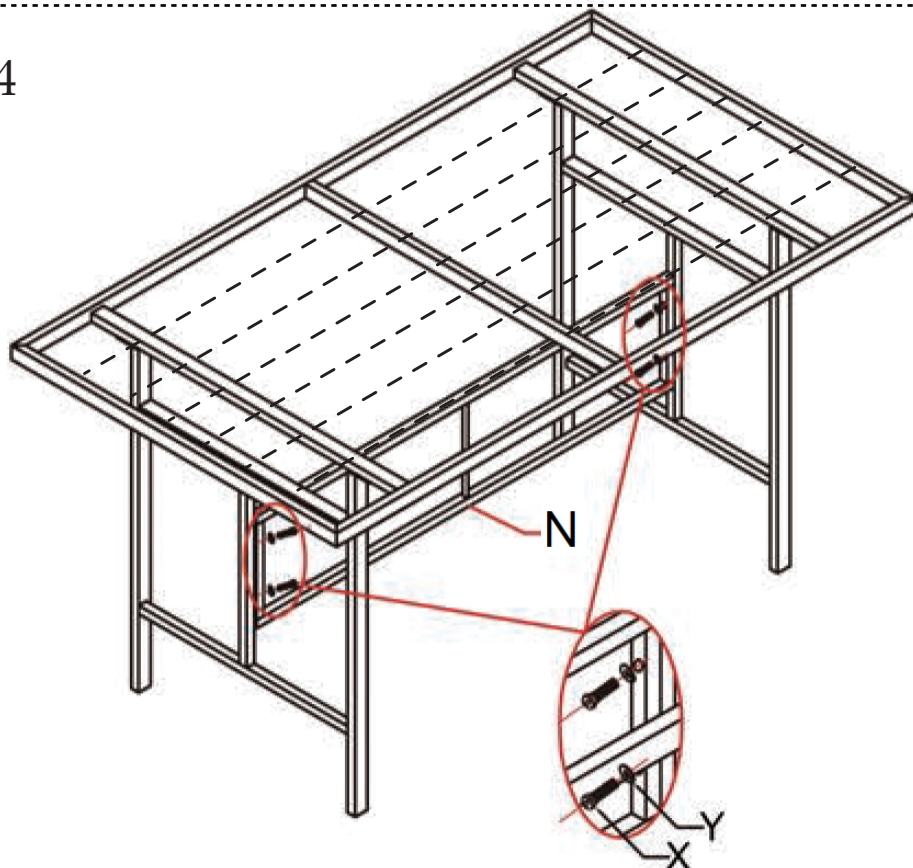
# ASSEMBLY INSTRUCTIONS

---

step13



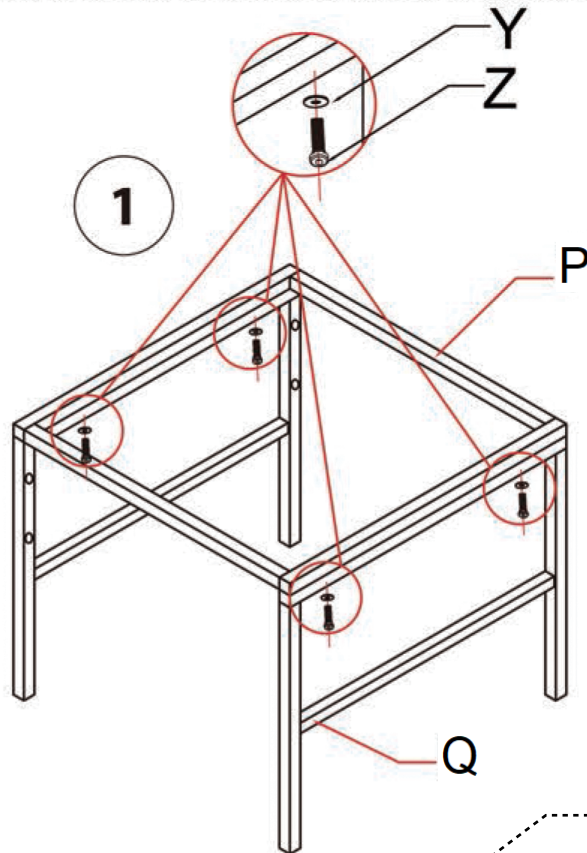
step14



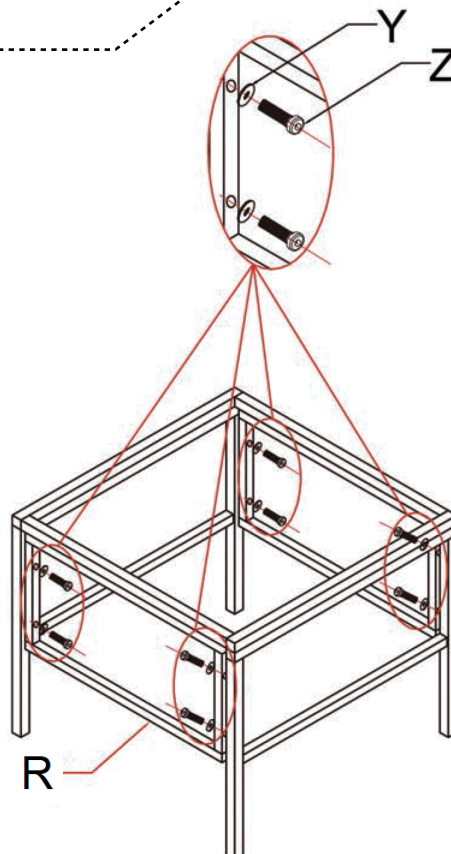
# ASSEMBLY INSTRUCTIONS

---

step15



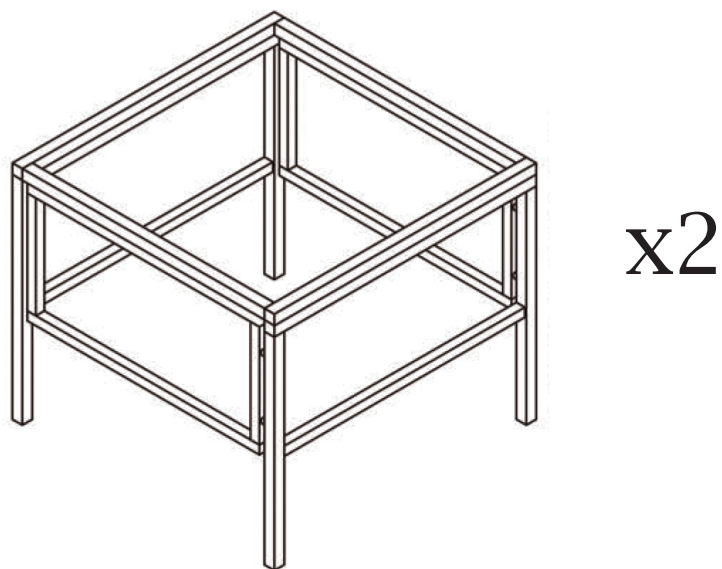
step16



# ASSEMBLY INSTRUCTIONS

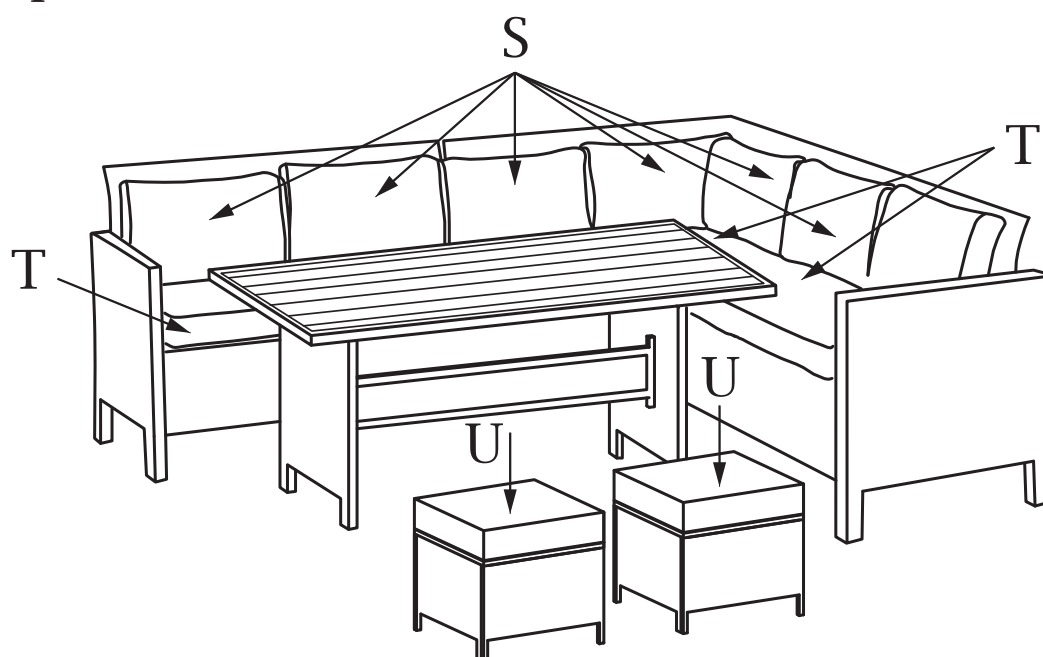
---

step17



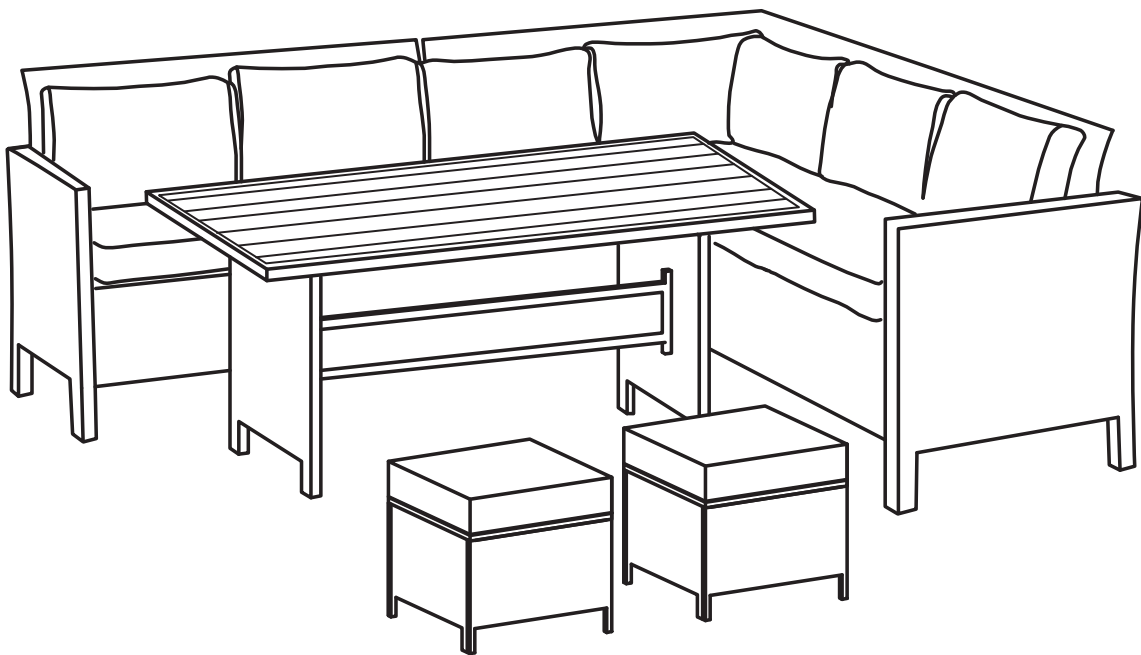
---

step18



# ASSEMBLY INSTRUCTIONS

---



*Congratulations!  
Now you have finished assembling the product.*