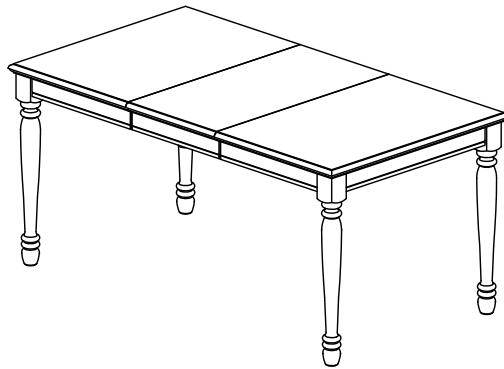
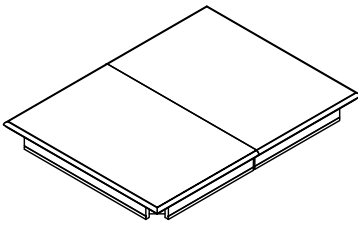
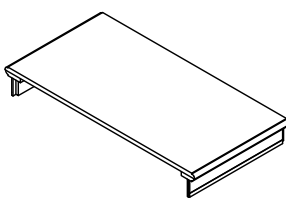
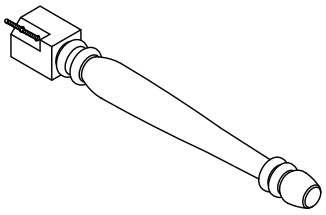


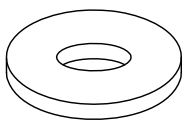
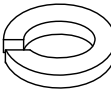
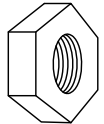
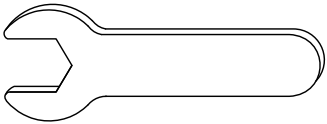
# Dining Table



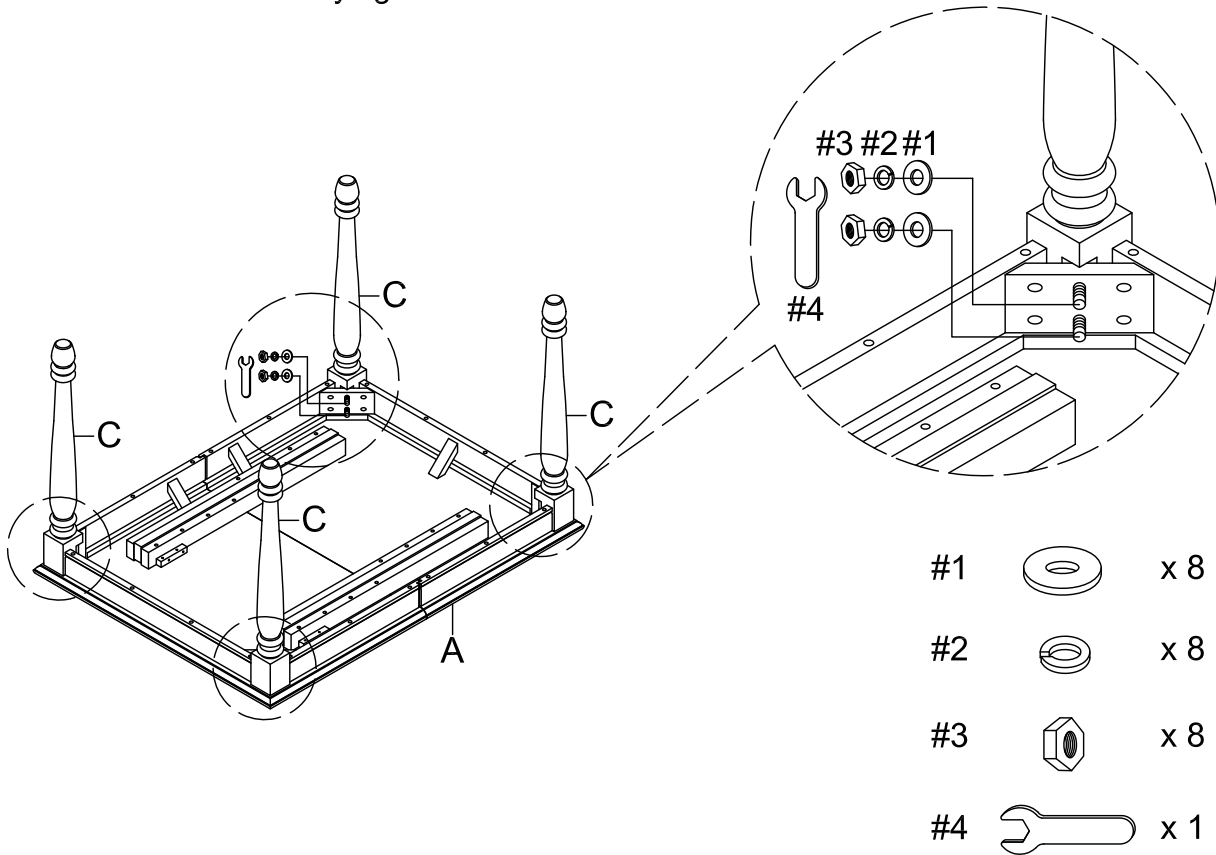
# PART LIST

<p><b>A</b></p> 	<p><b>B</b></p> 	<p><b>C</b></p> 
<p>Table Top 1 PC</p>	<p>Table Leaf 1 PC</p>	<p>Table Leg 4 PCS</p>

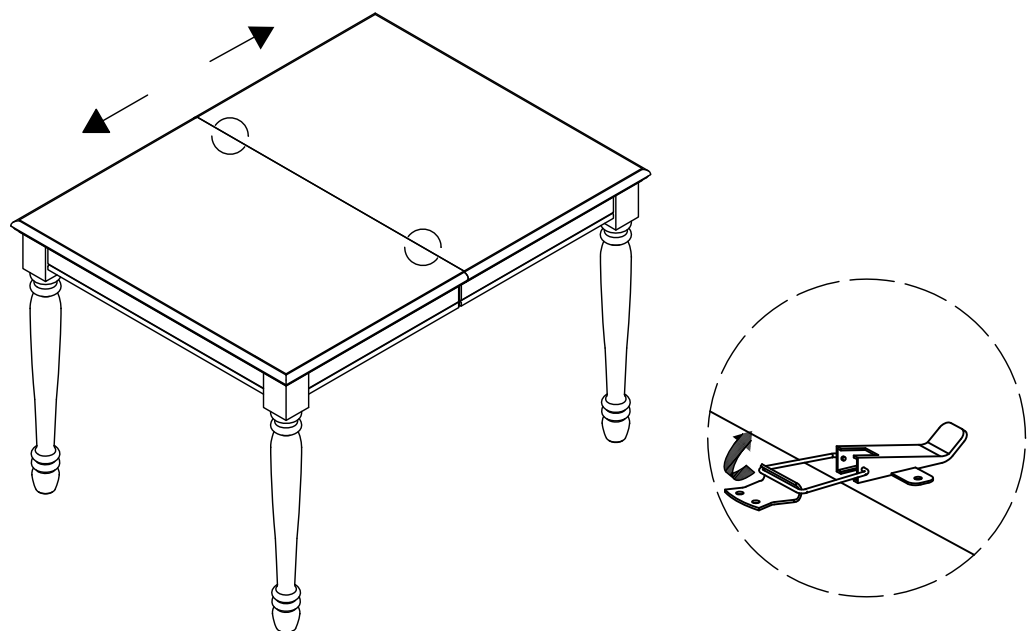
# HARDWARE LIST

<p><b>#1</b></p> 	<p><b>#2</b></p> 	<p><b>#3</b></p> 
<p>Flat Washer 8 PCS</p>	<p>Spring Washer 8 PCS</p>	<p>Nut 8 PCS</p>
<p><b>#4</b></p> 		
<p>Wrench 1 PC</p>		

Step 1. Carefully turn table top (part #A) upside down on a soft protective surface such as a carpet. Attach table legs (part #C) to table top (part #A) by using flat washers (part #1), spring washers (part #2), nuts (part #3) and wrench (part #4).  
 Note: Please fully tighten all bolts.

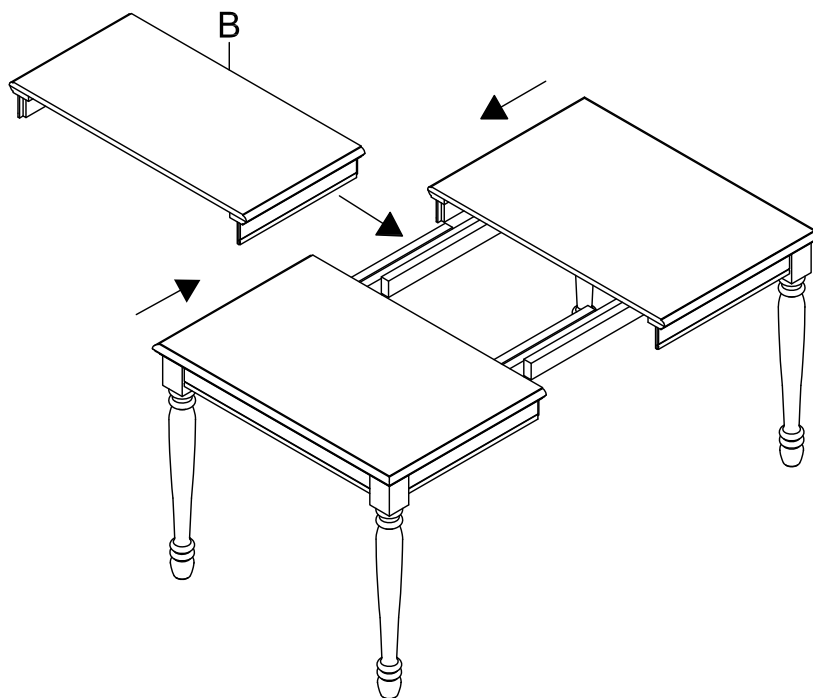


Step 2. Carefully turn the table upright. To insert the table leaf (part #B), unlock the clamp locks underneath the table top (part #A), and pull on opposite ends of the table to separate.



Step 3. Place the table leaf (part #B) in position and push table top (part #A) from both ends to close.

NOTE: Take care to line up the clamp locks correctly when inserting the table leaf (part #B).



Step 4. Lock the clamp locks underneath the table top (part #A) to secure.

