



12x14 FT Storage Shed

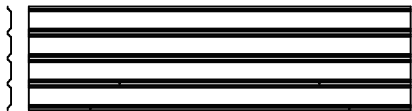
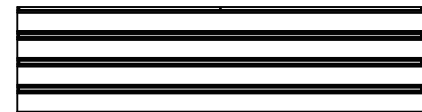
Installation Instructions

Our team is available 24/7 to help with any product questions. Contact us anytime!


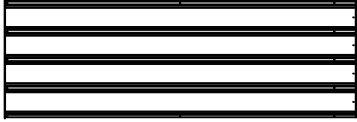

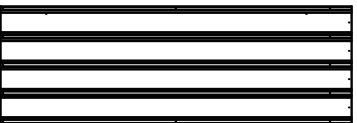
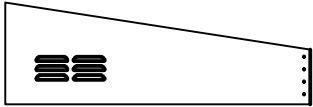
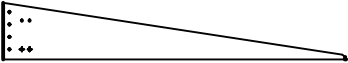
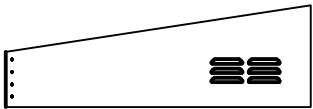
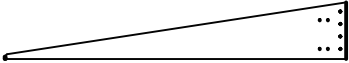
- i Recommended to wear gloves to avoid scratches. Please read the instructions COMPLETELY before assembly.

After opening the package, if you notice a slight deformation in the wall panels, there's no need for concern. Our material is flexible and can be manually bent back into place.
























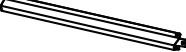
K1412parts list(A)




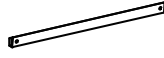
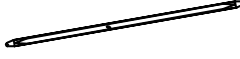

















PART	NO.	QTY.
	W5-KD	2
	W5-D	28

K1412parts list(B)


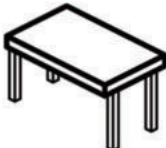




PART	NO.	QTY.
	K1412-7L	4
	K1412-7M	24
	K1412-7MM	4
	K1412-7R	4
	K1412-5L1	2
	K1412-5L2	2
	K1412-5R1	2
	K1412-5R2	2

K1412parts list(C)

PART	NO.	QTY.
	W5-CD	4
	W3-D	2
	W2-HLD	1
	W2-HRD	1
	K1412-1L	2
	K1412-1M	2
	K1412-1R	2
	K810-2	2
	K812-2R	2
	K1412-3L	2
	K1412-3M	2
	K1412-3R	2
	K810-4	2
	K812-4R	2
	K812-6L	6
	K812-6R	6
	K812-6M	6
	K1412-8	8
	K812-9L	2
	K812-9M	2
	K812-9R	2
	K812-10	2
	K812-10M	1
	UAD	2

PART	NO.	QTY.
	DAD	2
	DLAD	1
	DRAD	1
	DDA	4
	DBD	4
	C3	4
	K1012-11	8
	GC	4
	GE	2
	T-F	4
	DC	2
	C2	4
	DH	4
	F1	664
	F2	123
	F3	32
	V2	278
	F4	4
	GL	1
	SL	148
	M20	1
	ST	2

REQUIRED TOOLS

Tools			
	Gloves	Table	Ladder
			
	Power drill	Screw drive	Tape Measure

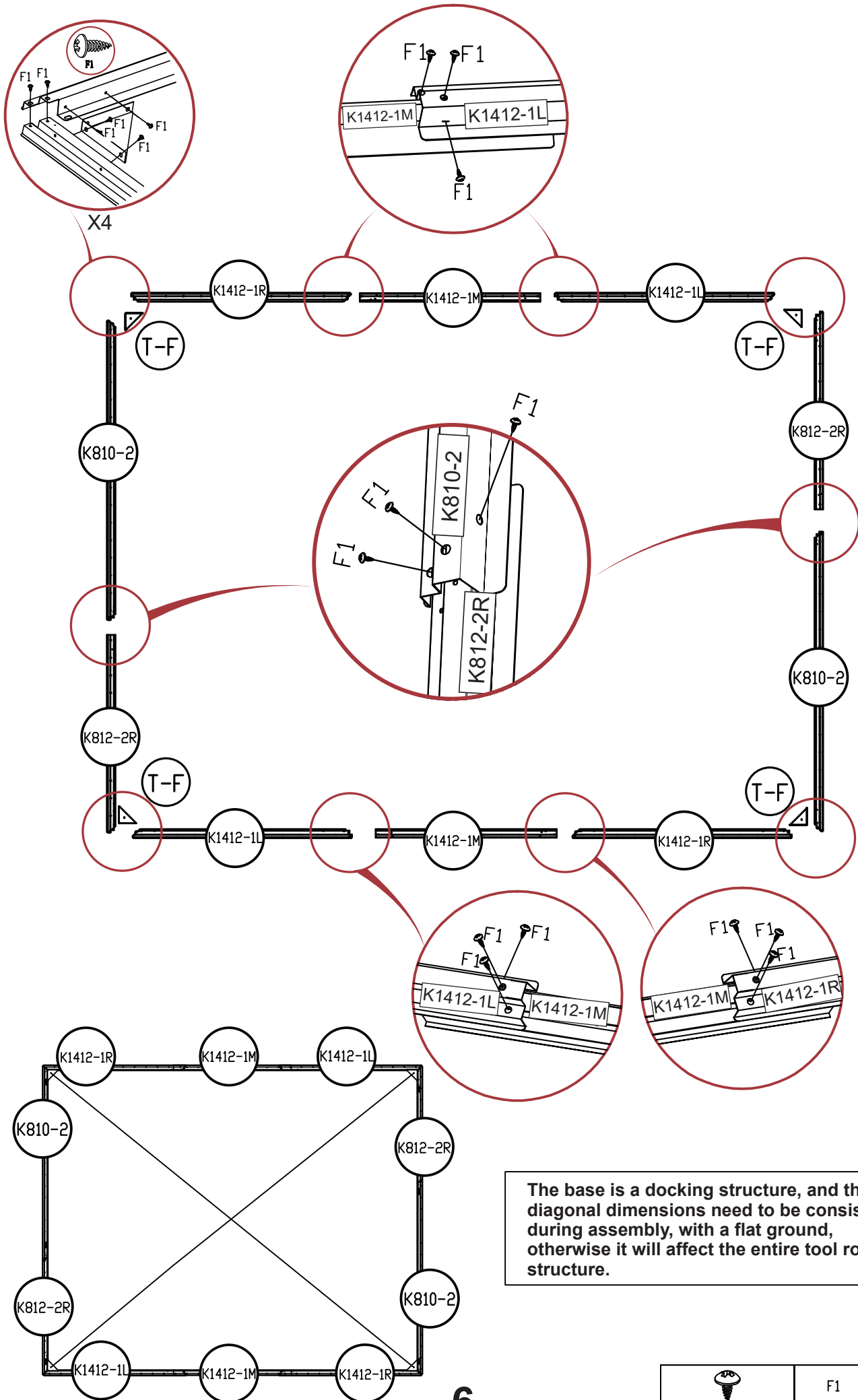
ASSEMBLY TIPS

1. Clear a working area to allow access on all four sides. A raised work surface will make assembly easier. It is easier to install the wall panel on the table.
2. All parts are identified, so when working through the instructions page by page, the diagrams show where each part is positioned.
3. Before starting, to avoid any accidental injury, we recommend the use of gloves to protect your hands.
4. Please keep children away from your construction site.
5. Most assembly can be completed by one person, but assistance may be needed when you reach the erection stage.
6. Please note: Some local government authorities have rules & regulations on shed installation, and you may need approval to erect this shed.

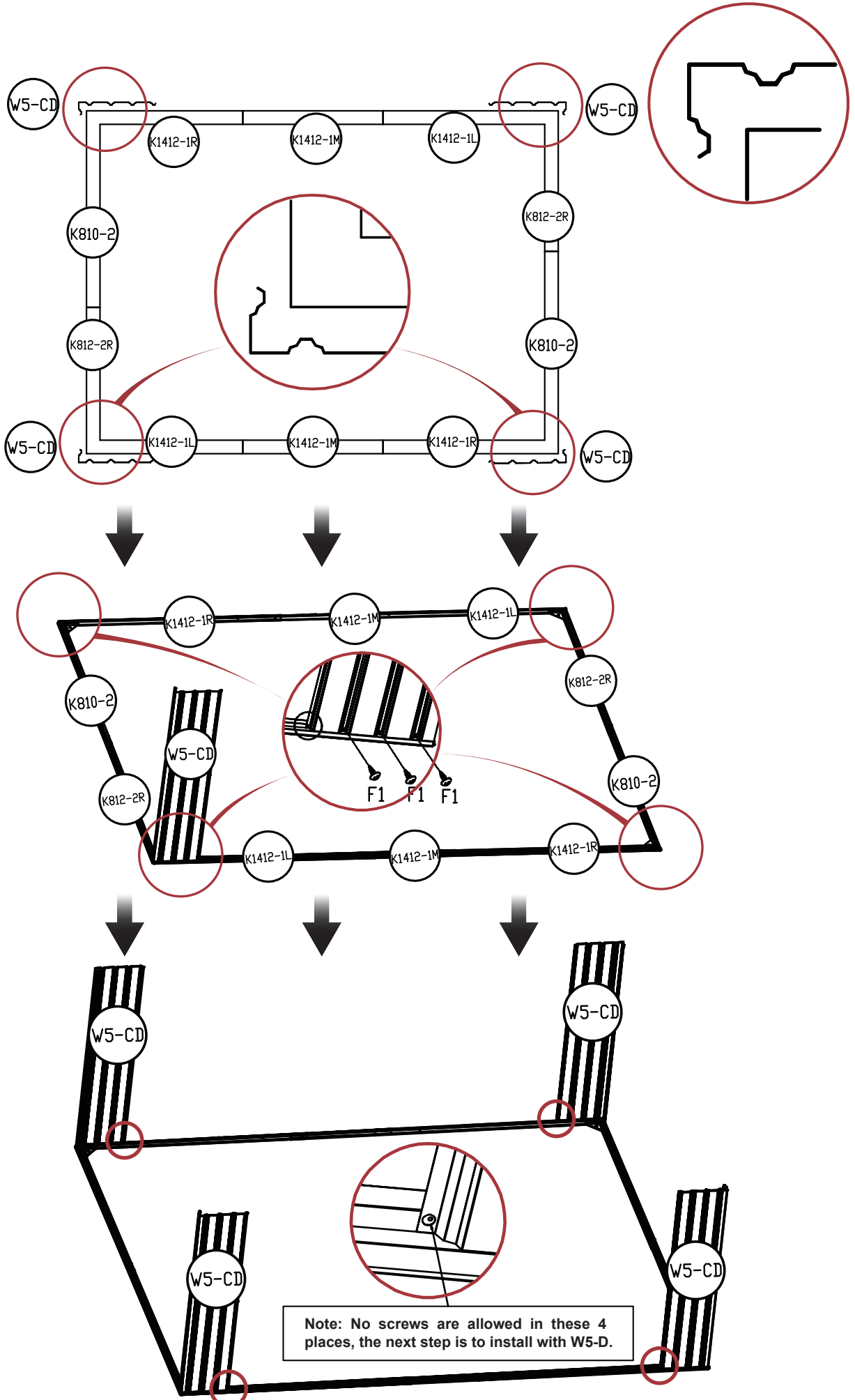
ASSEMBLY STEPS

1. Unpack all components from the carton and lay them out beside your work area. Check parts against the parts list.
2. Work through the assembly instructions page by page.
3. Once assembly is completed, place the shed in position and fix the anchor to the ground.
4. Clean up all metal pieces and screws.

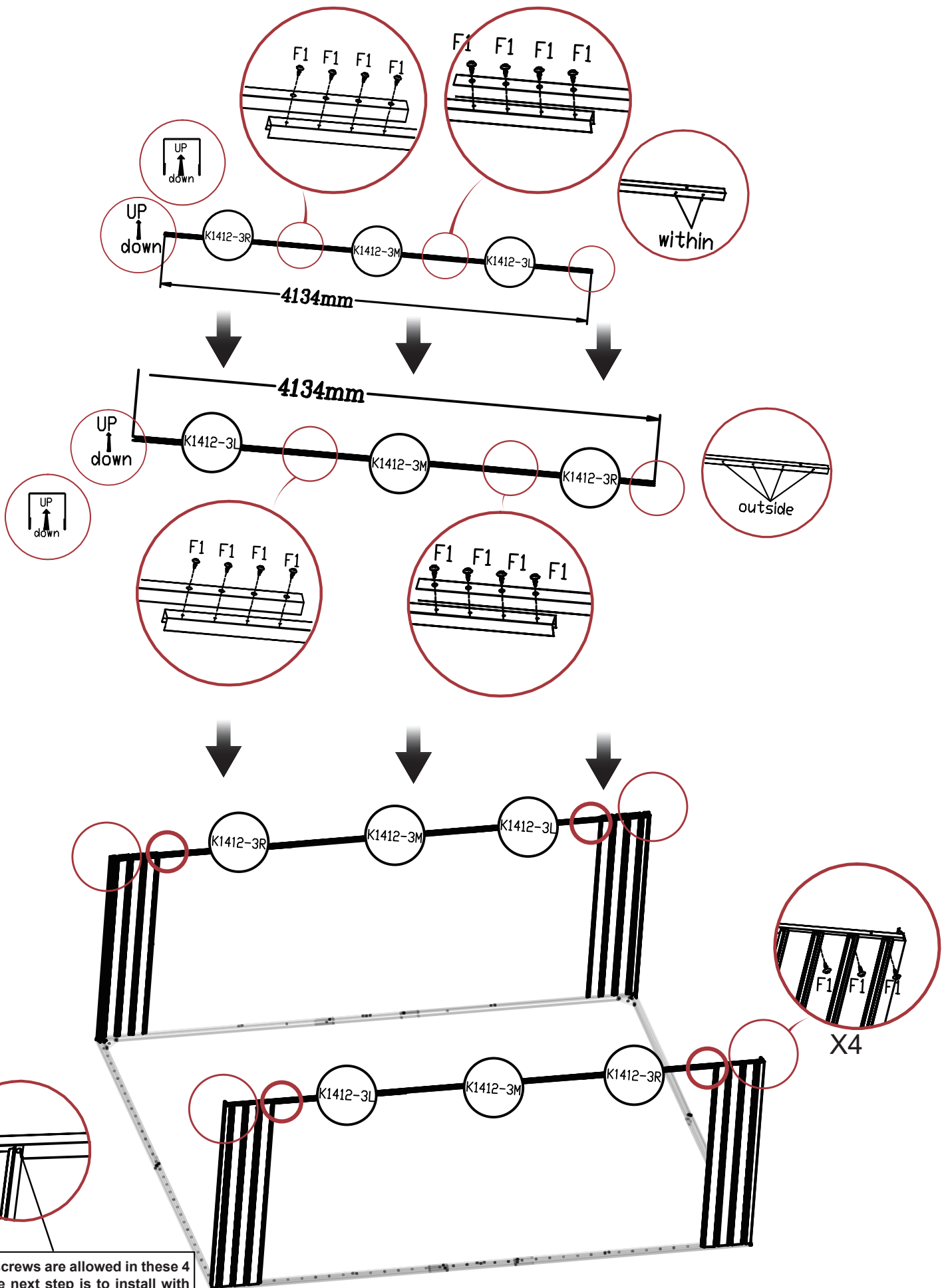
STEP 1



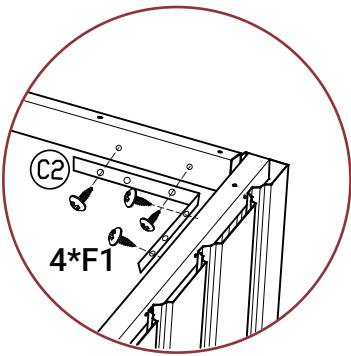
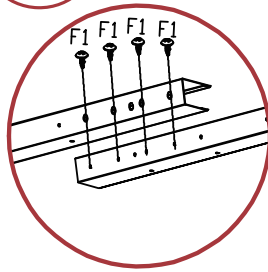
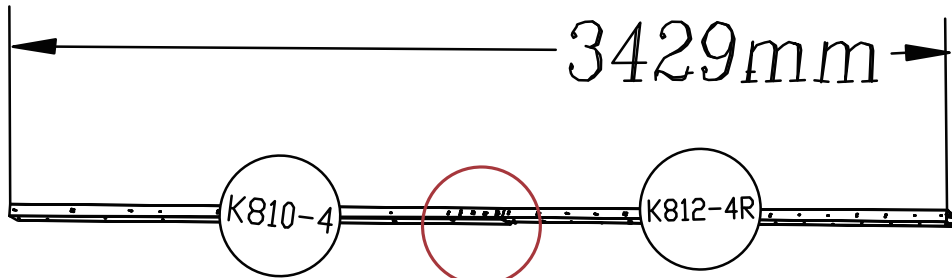
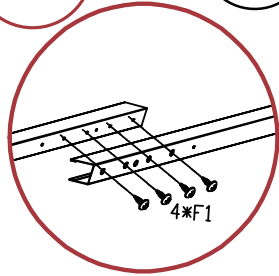
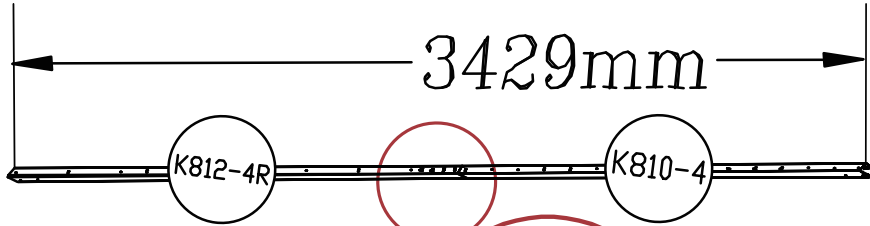
STEP 2



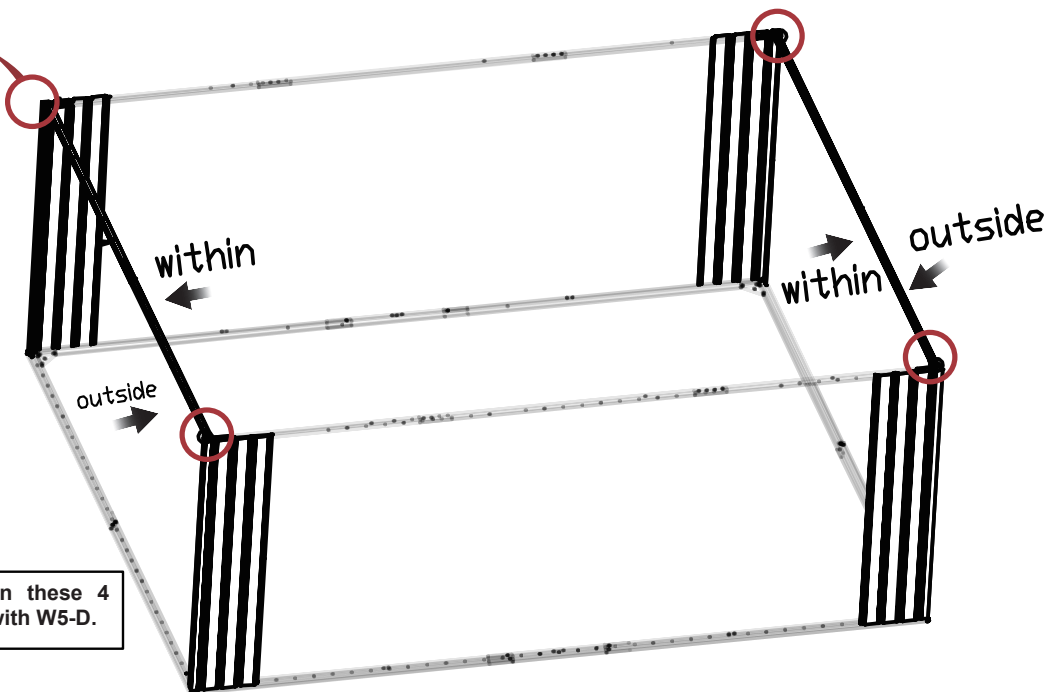
STEP 3



STEP 4

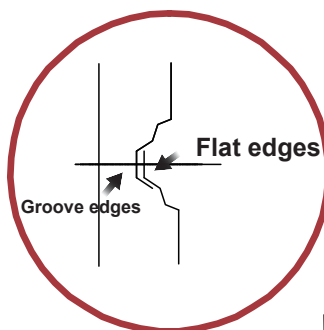
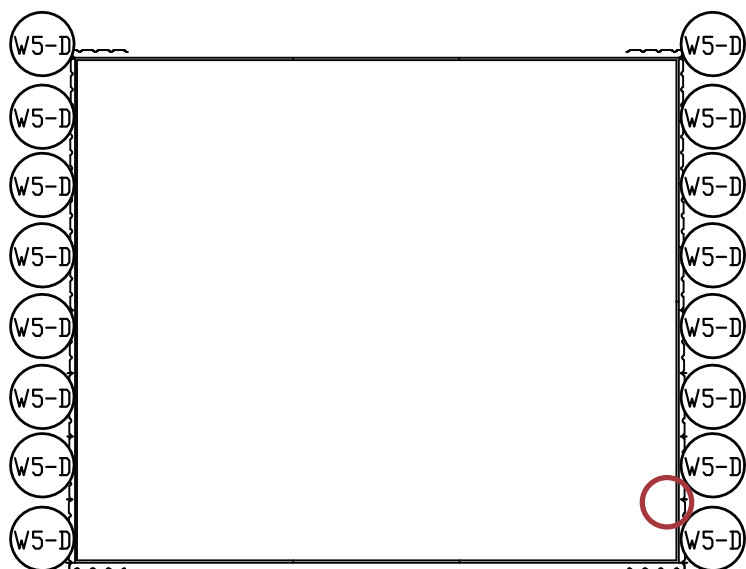
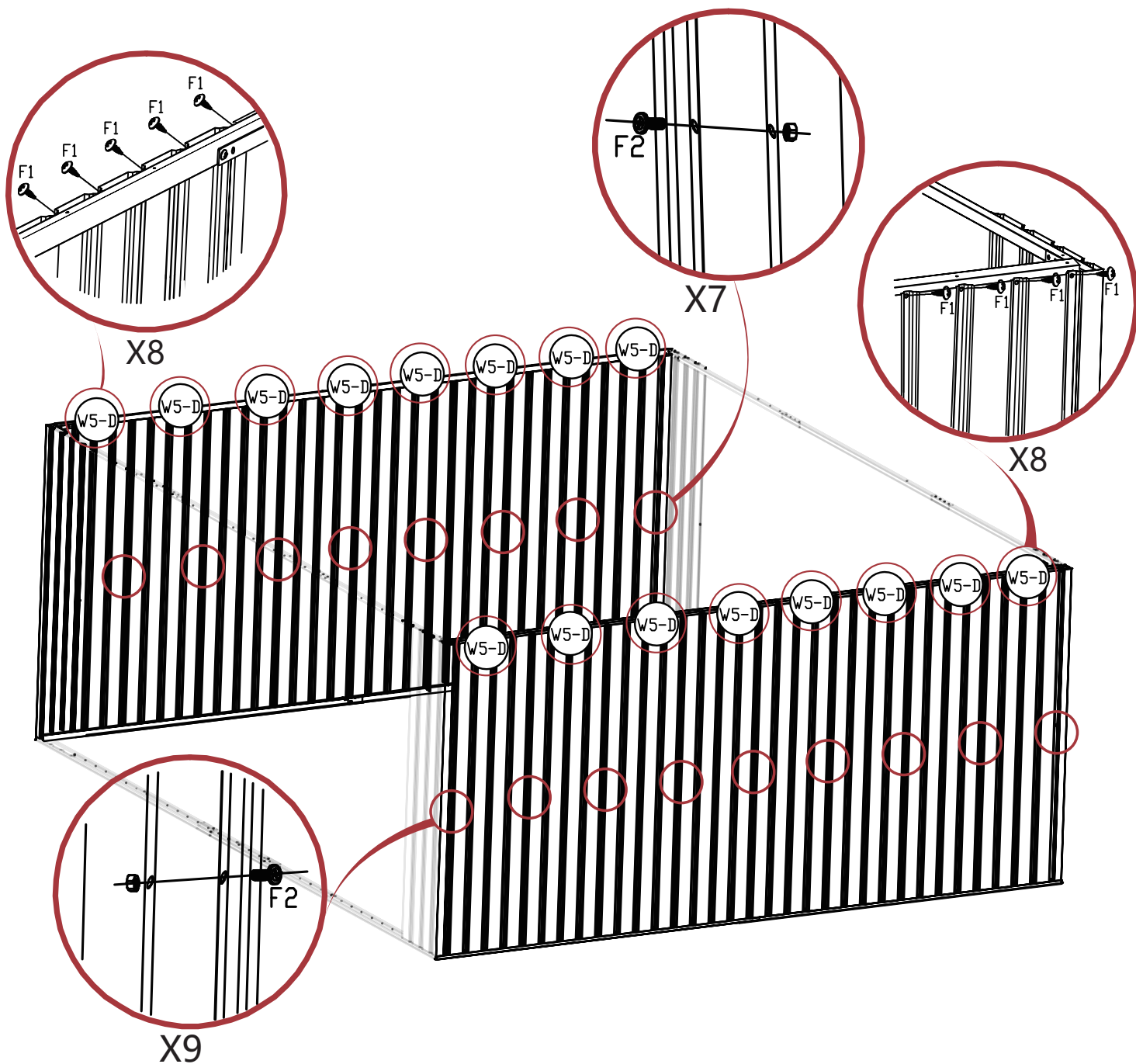




X4



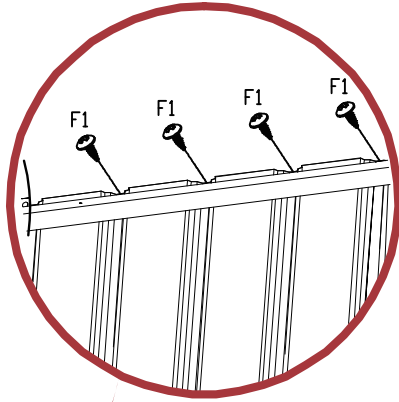
Note: No screws are allowed in these 4 places, the next step is to install with W5-D.

STEP 5

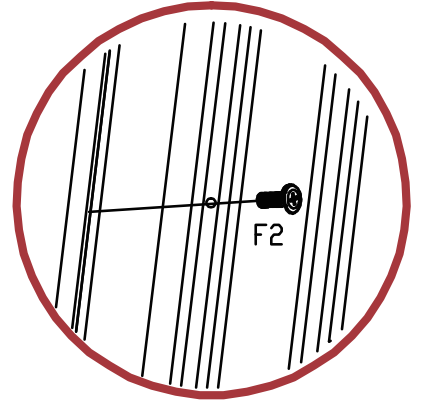


	F1	132
	F2	18

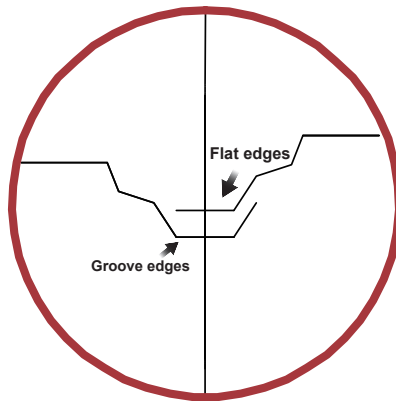
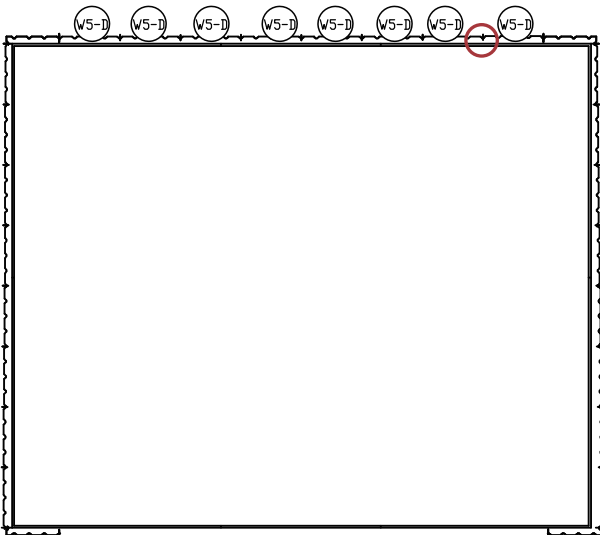
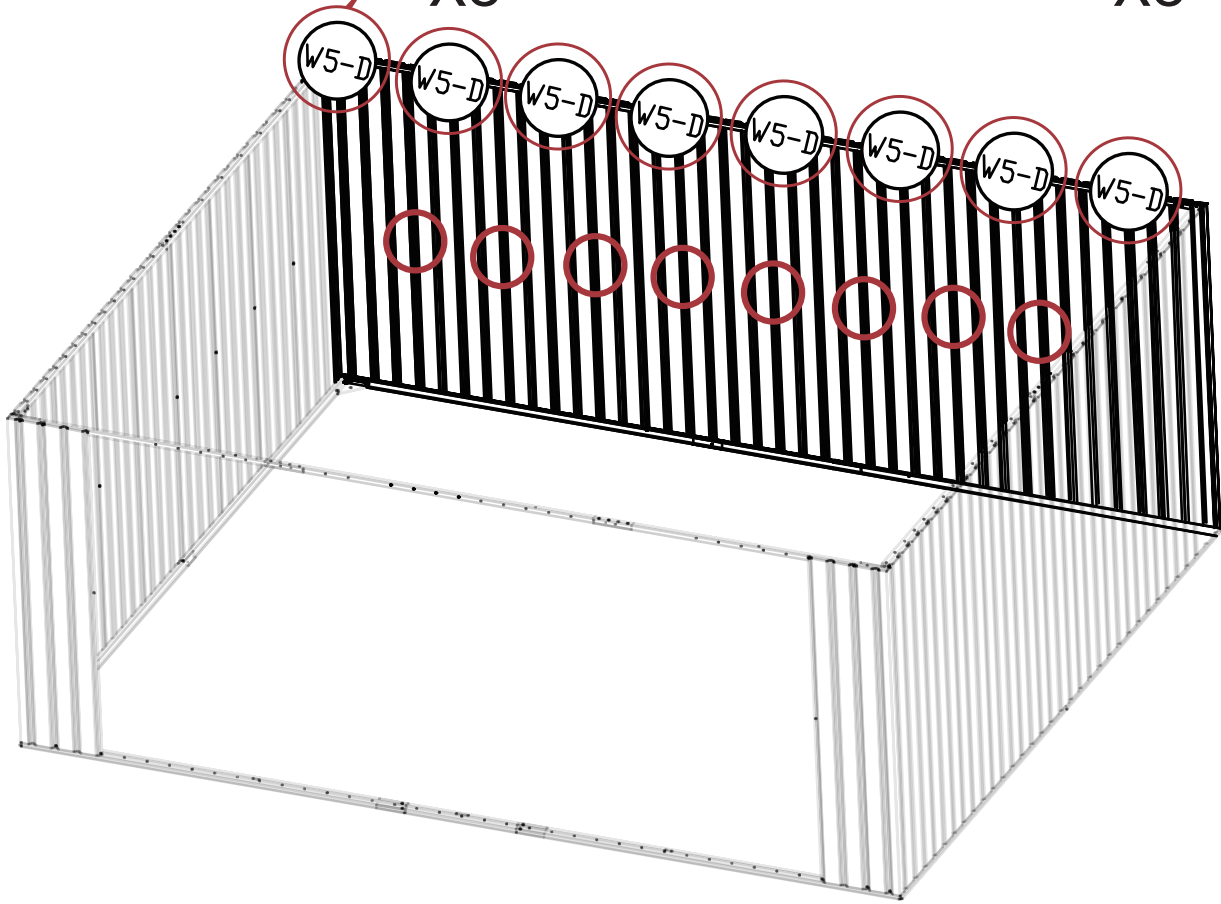
STEP 6





X8



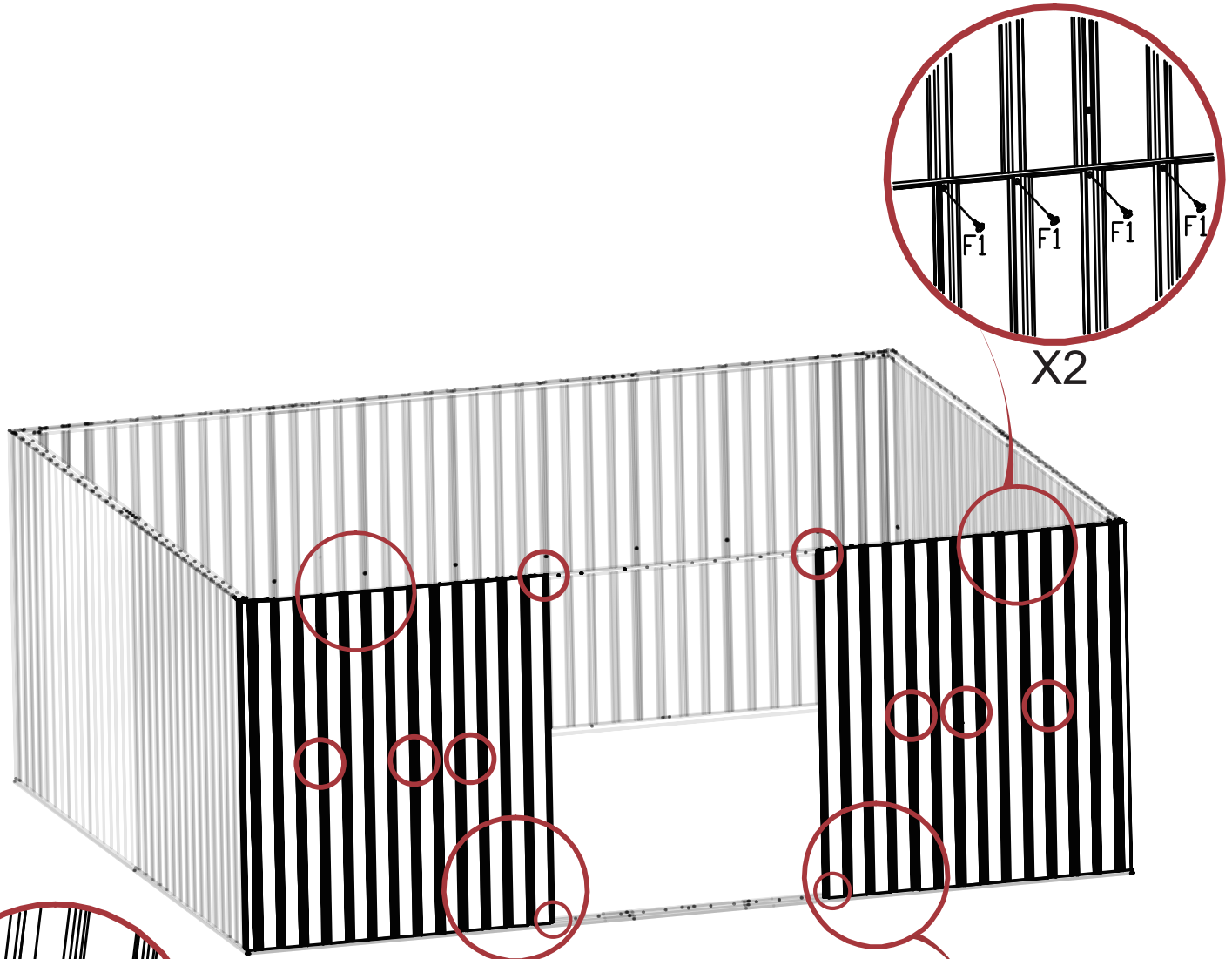
X8



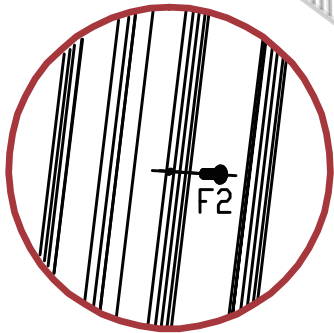
11

	F1	66
	F2	9

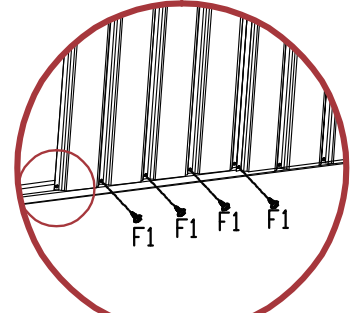
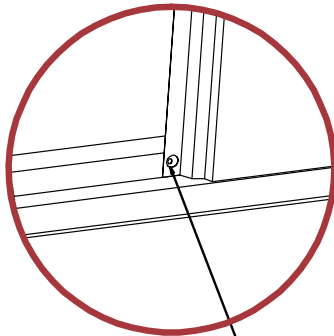
STEP 7



X2

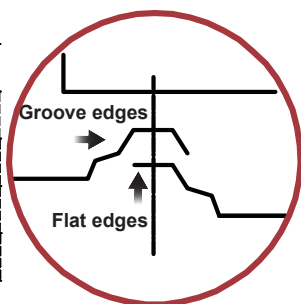
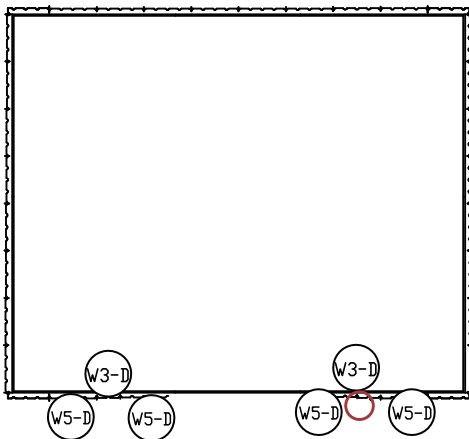


X6





X2

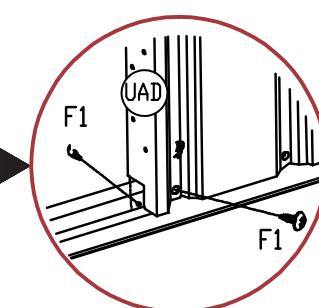
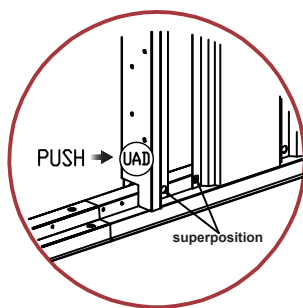
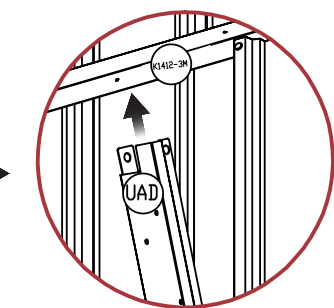
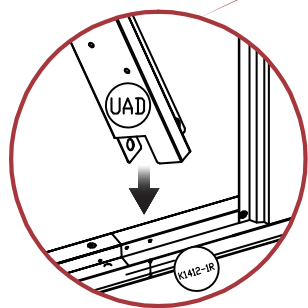
Note: No screws are allowed to be installed in these 4 places, the next step is to install with the UAD.



12

	F1	40
	F2	6

STEP 8

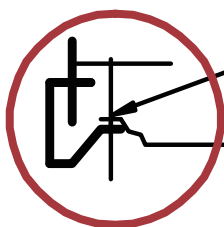
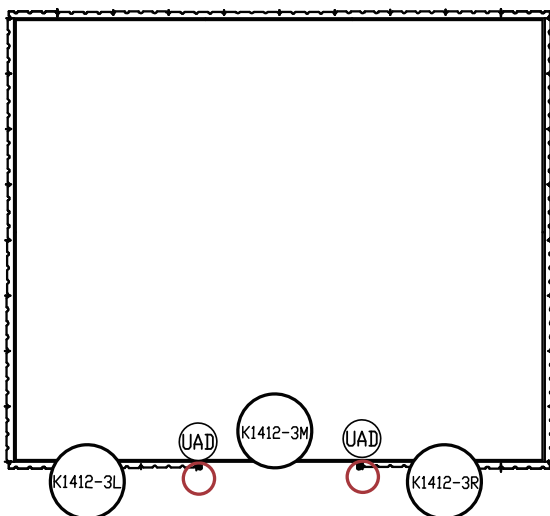


The UAD notch snaps into the K1412-1R
X2

The UAD notch snaps into the K1412-3M
X2

Push the UAD to coincide with the W5-D
X2

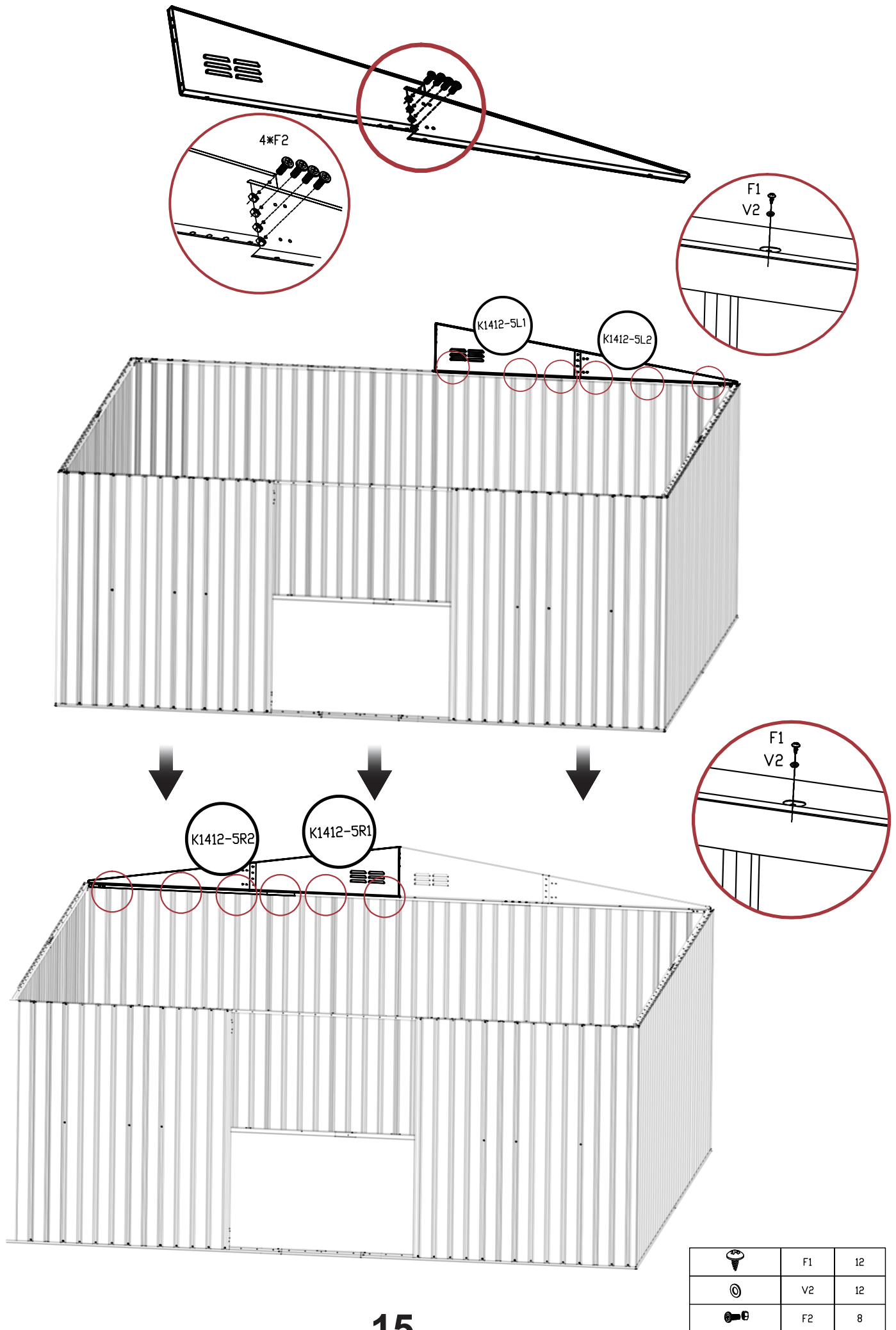
F1 screw-fastening
X2



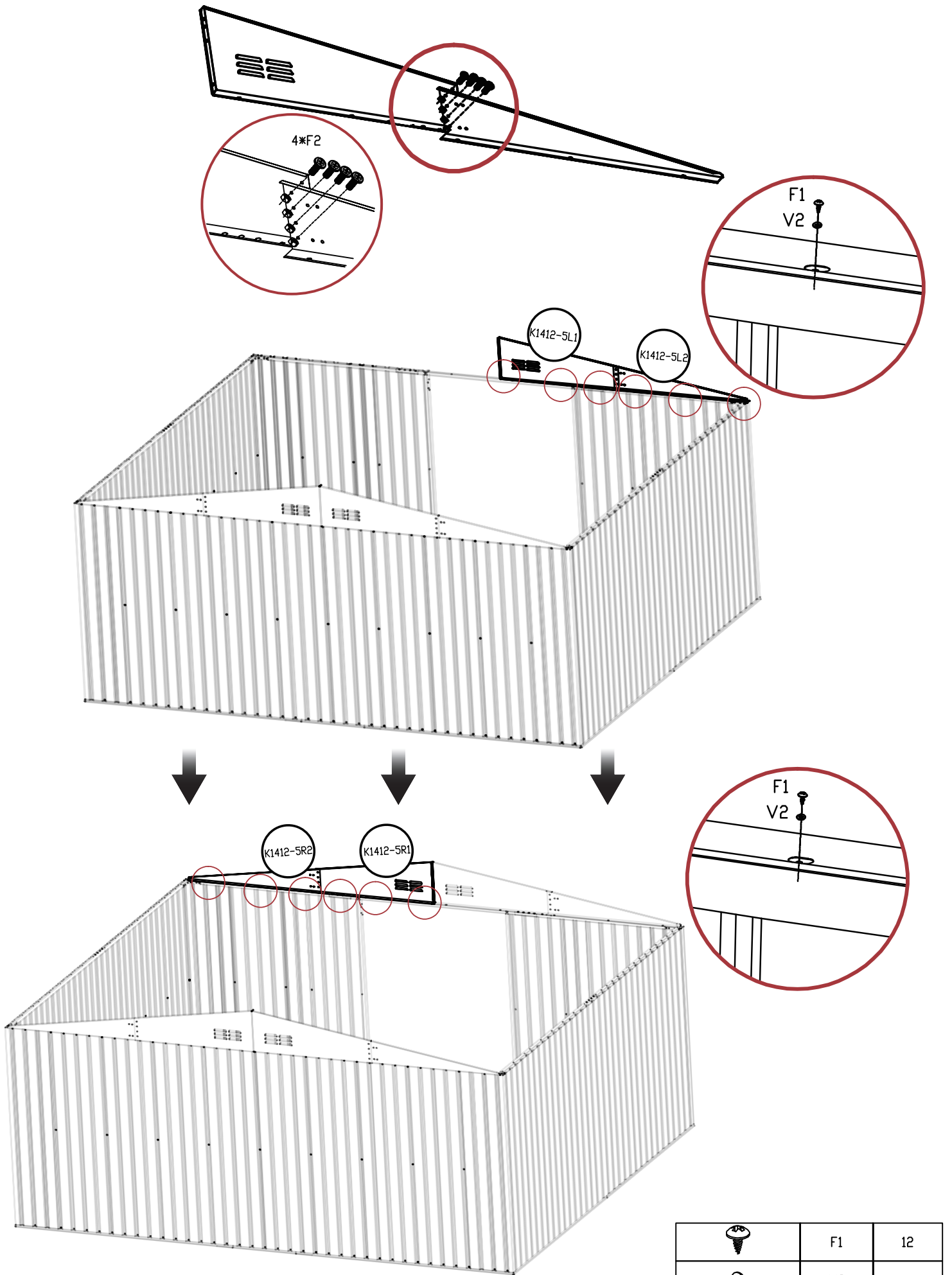
Note: This is a flat edge, otherwise it interferes with the UAD




	F1	8
	F2	2

STEP 9

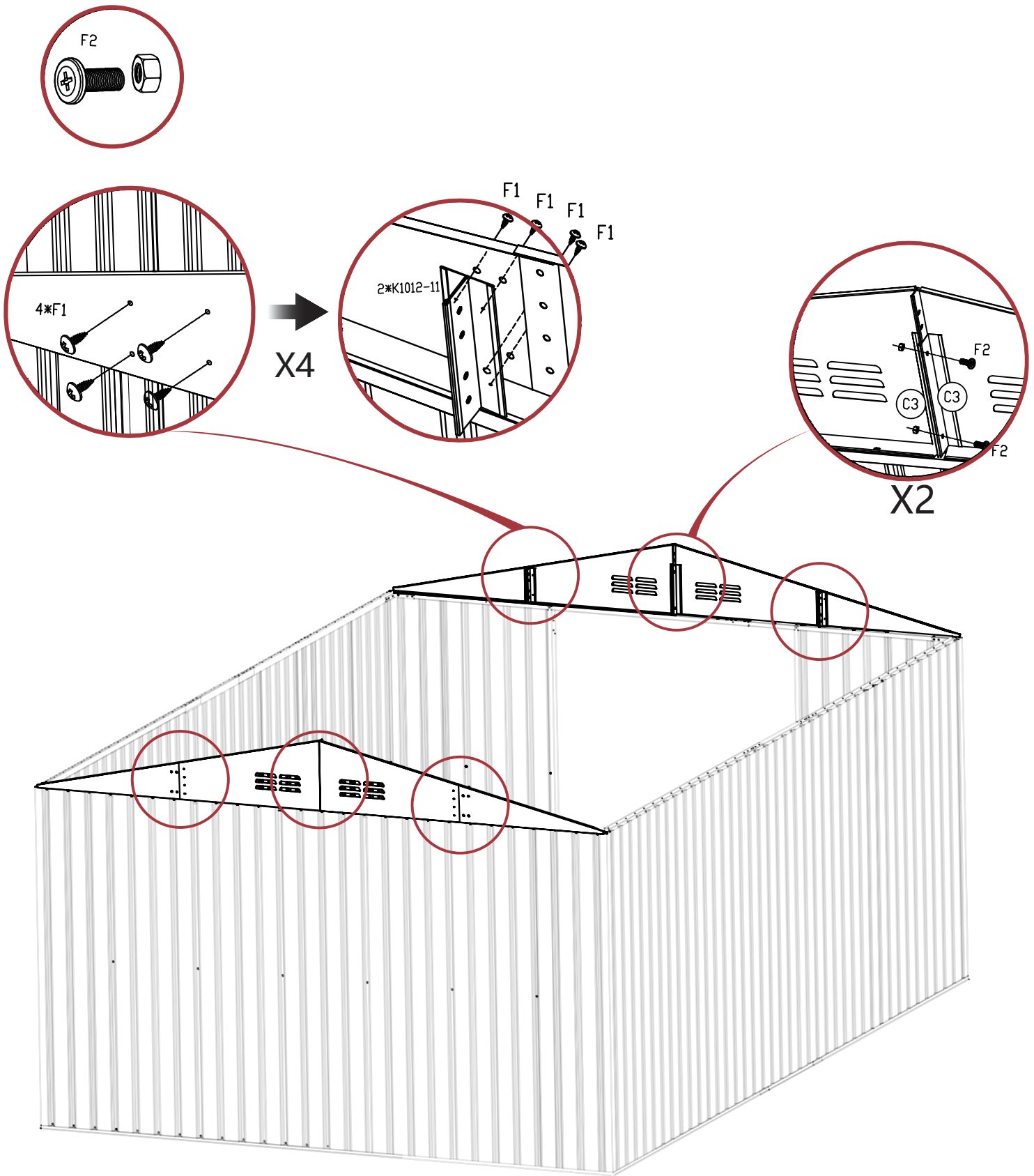




STEP 10



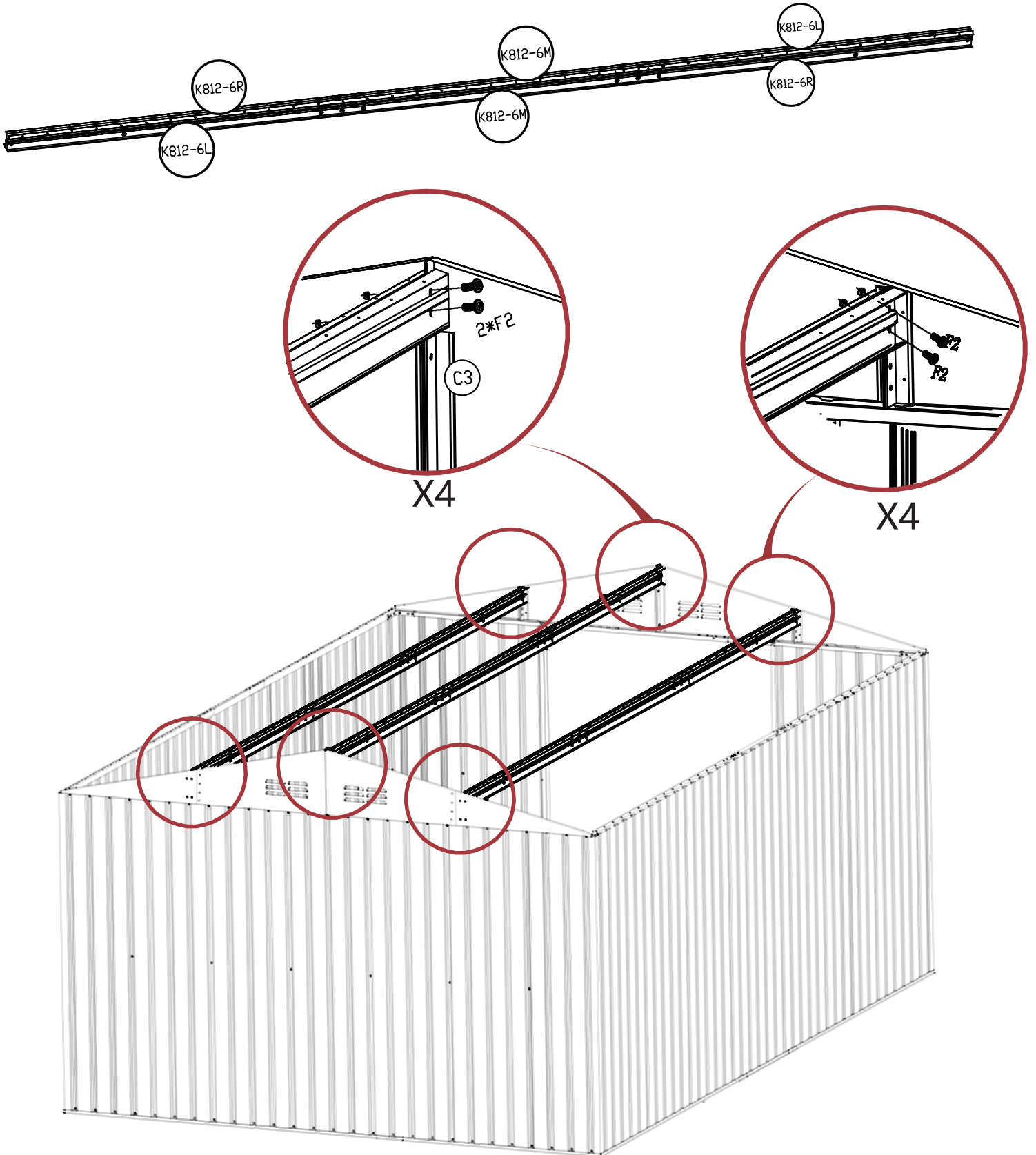
	F1	12
	V2	12
	F2	8


STEP 11



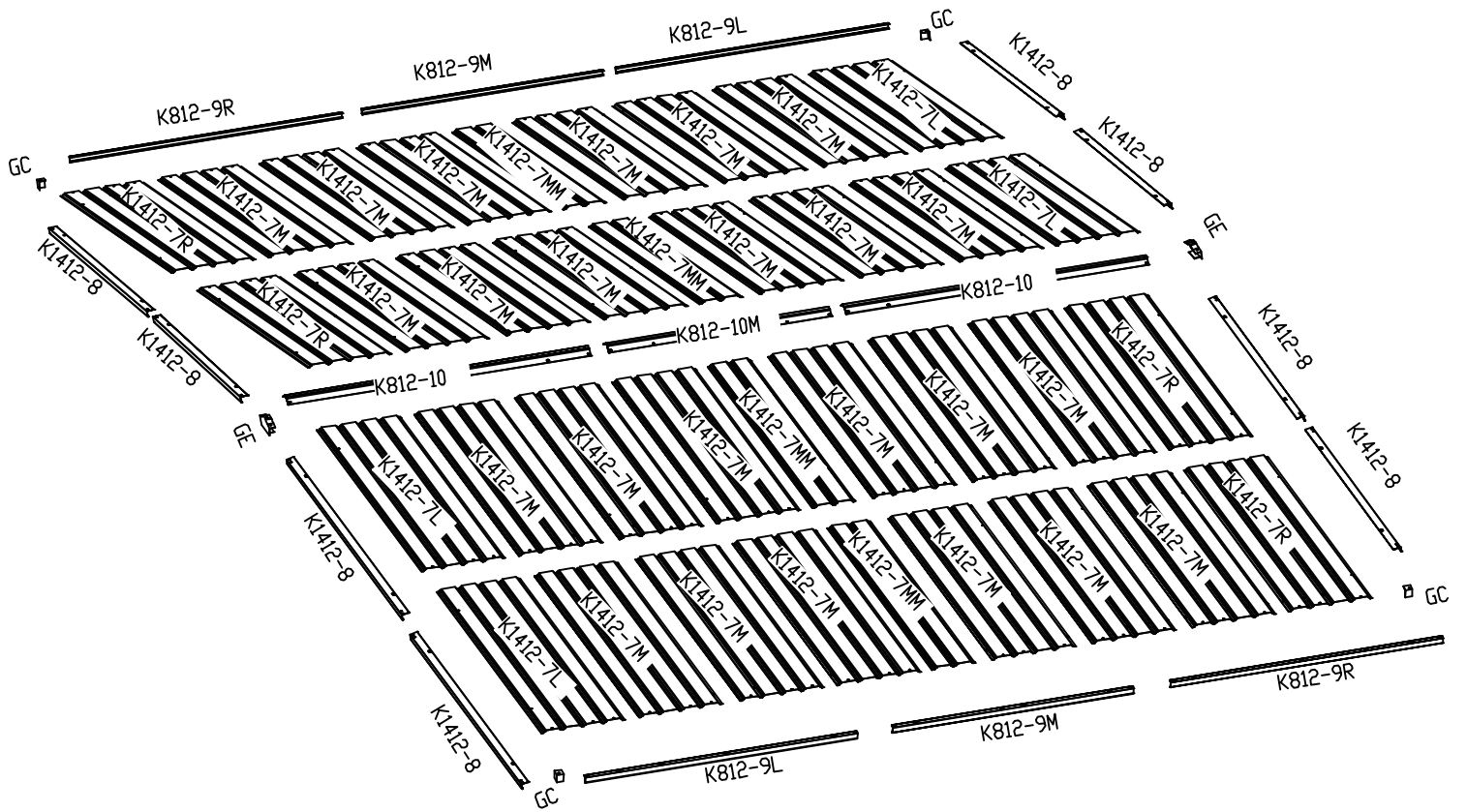
	F2	4
	F1	16

STEP 13

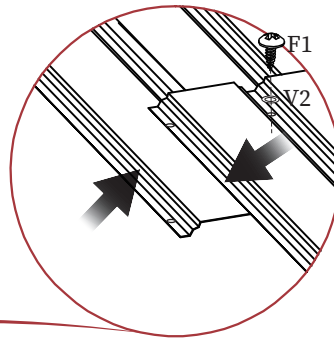
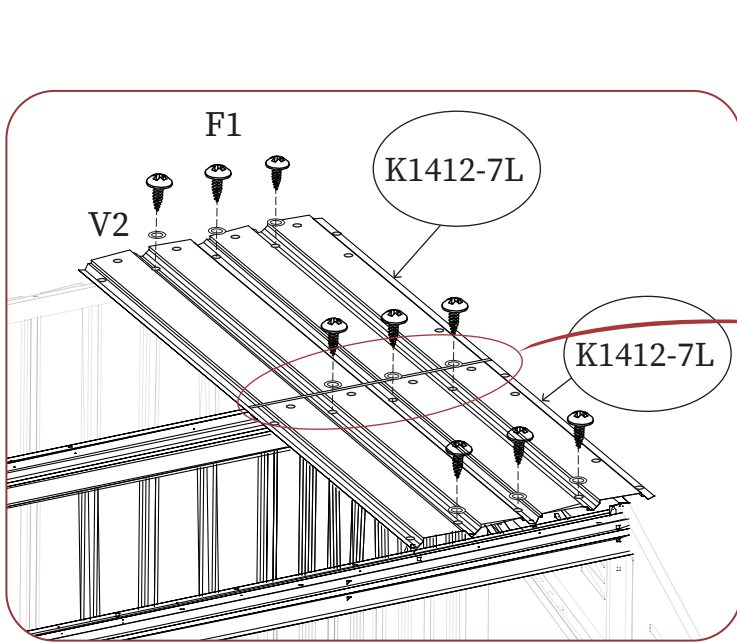


	F2	12
---	----	----

Shed top panels



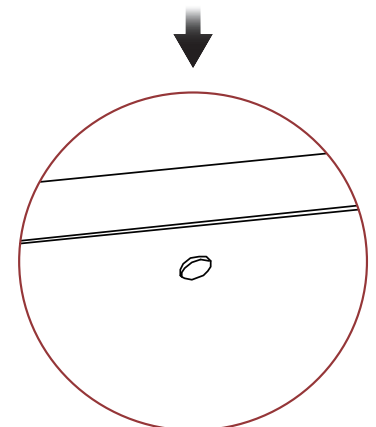
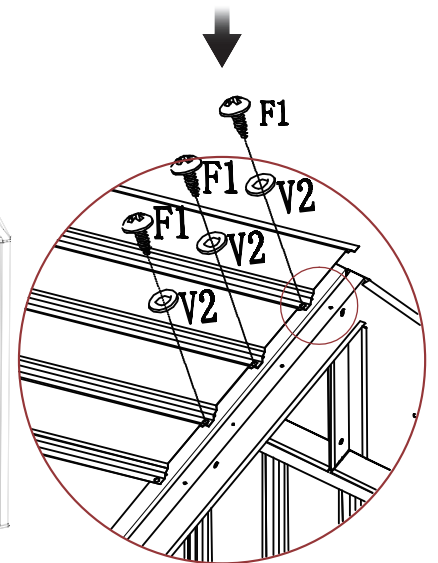
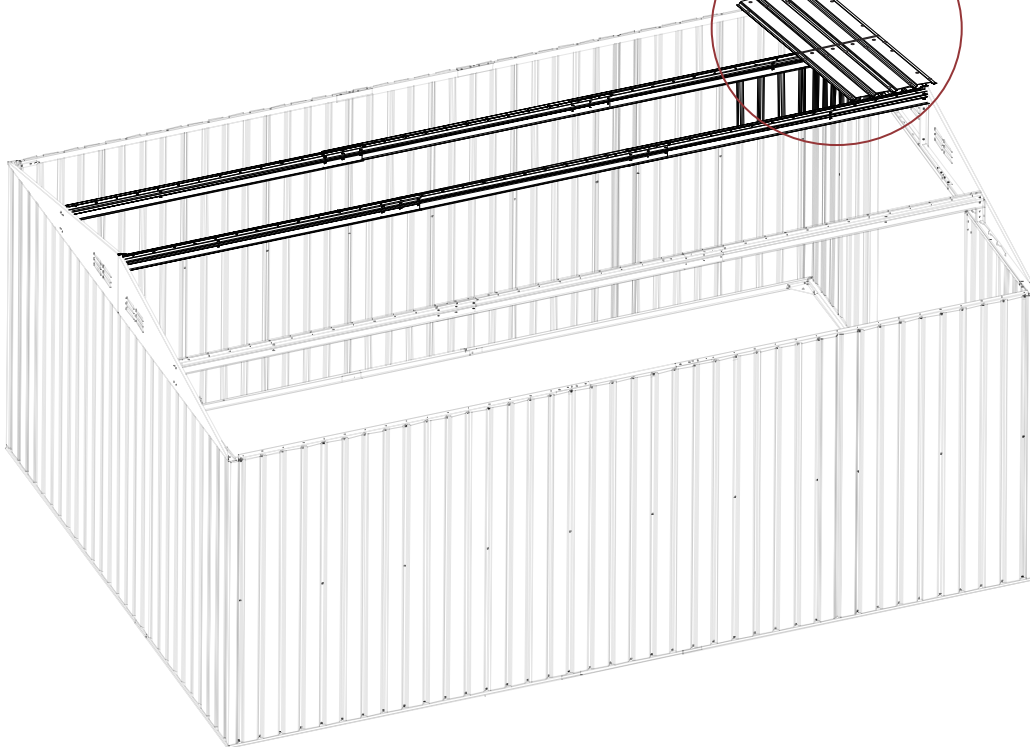
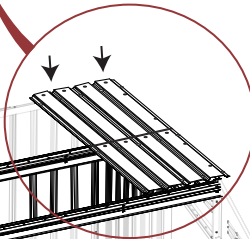
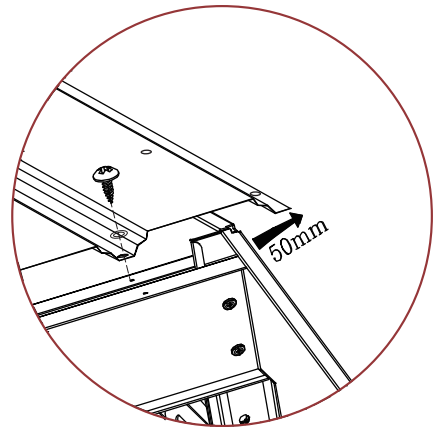
STEP 14



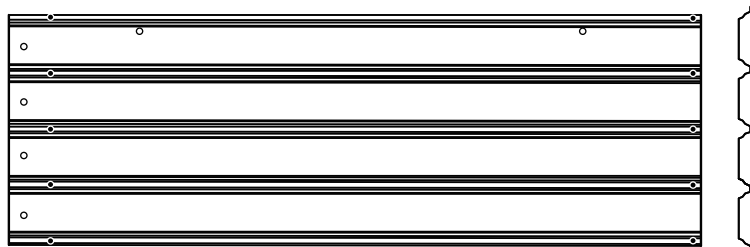
Note: The upper cover must be placed on top of the lower cover to prevent rain leakage.

The installation is as shown in the diagram: the edge extends outwards by about 50mm

When installing, pay attention to the direction of the door and see the location of the screw holes of K1412-7L.

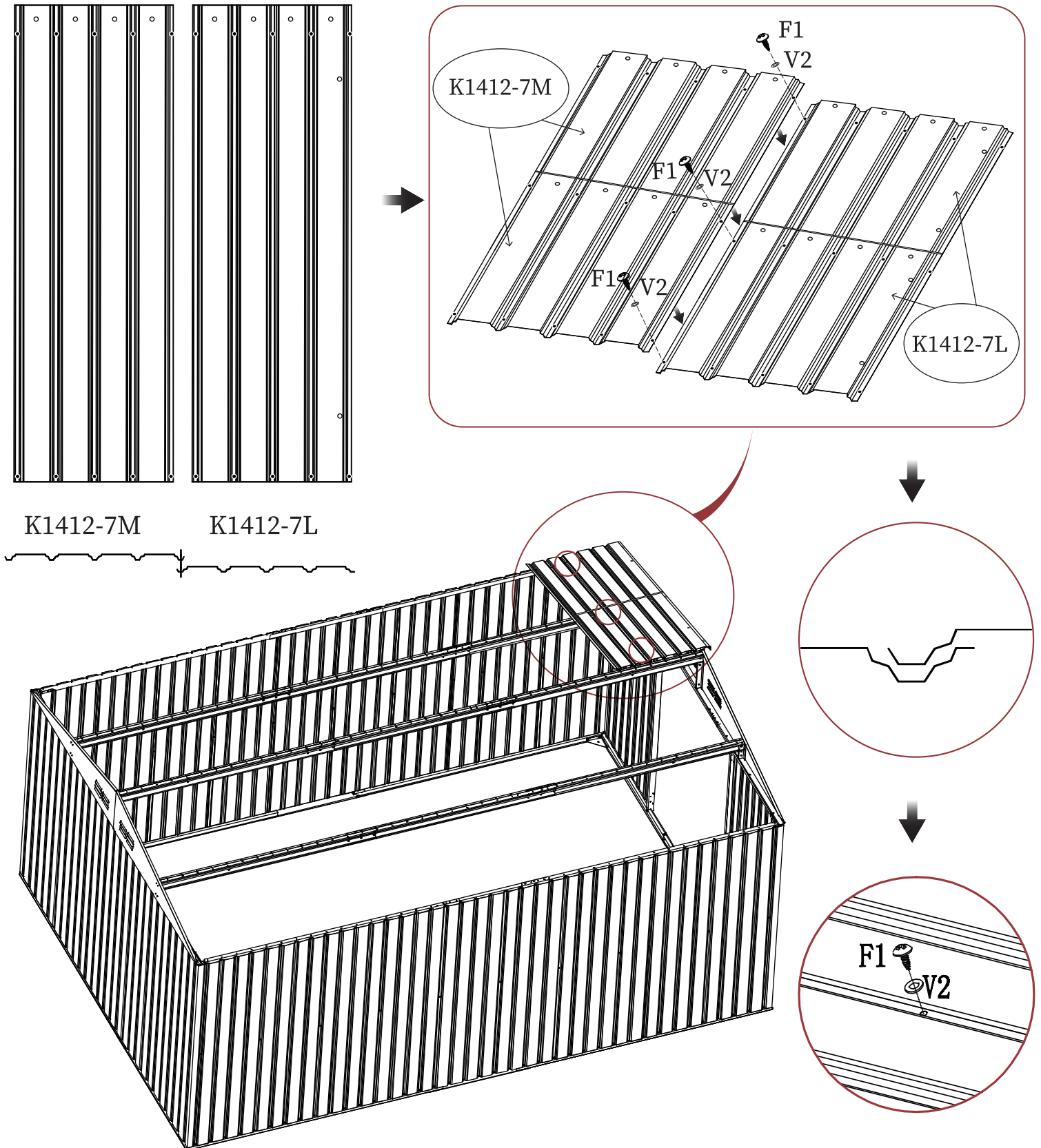


Attention: There are small holes on the outside for assembly with K1412-8.



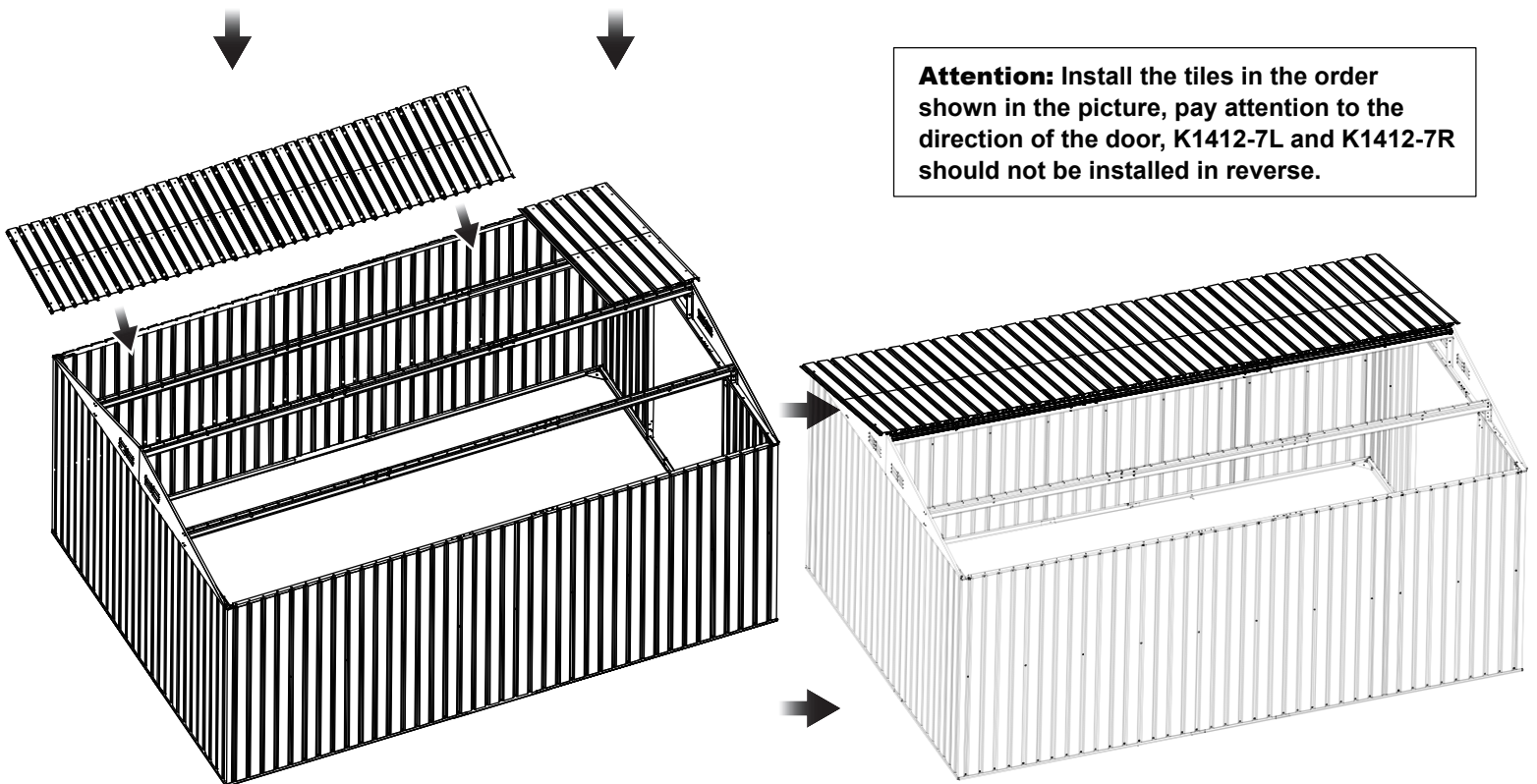
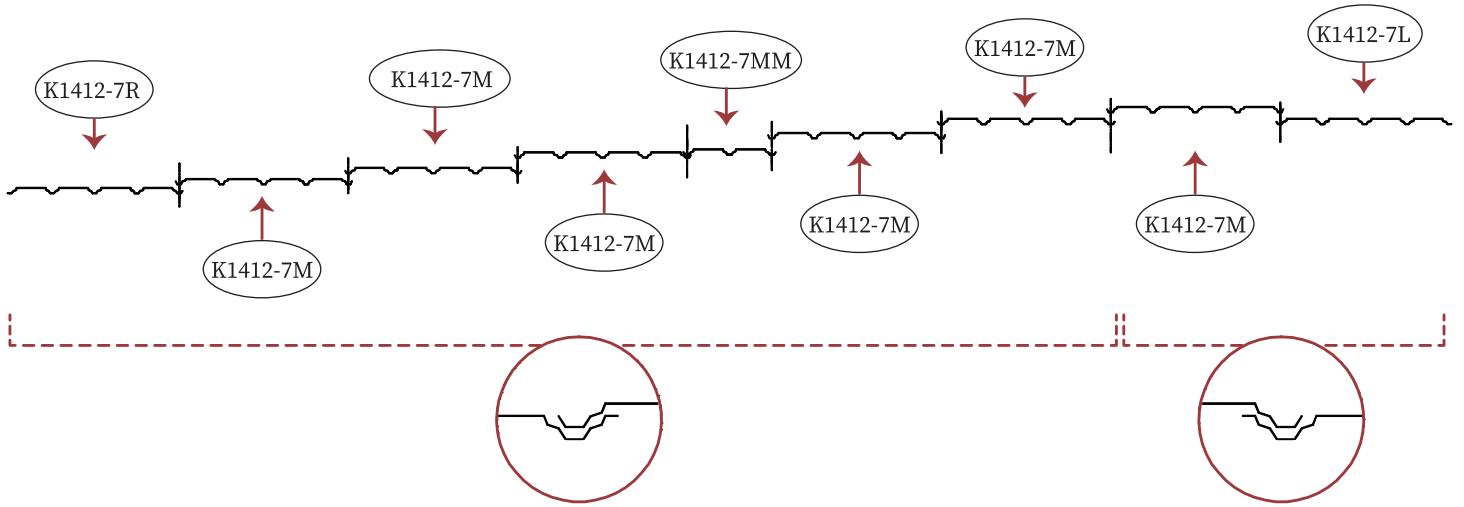
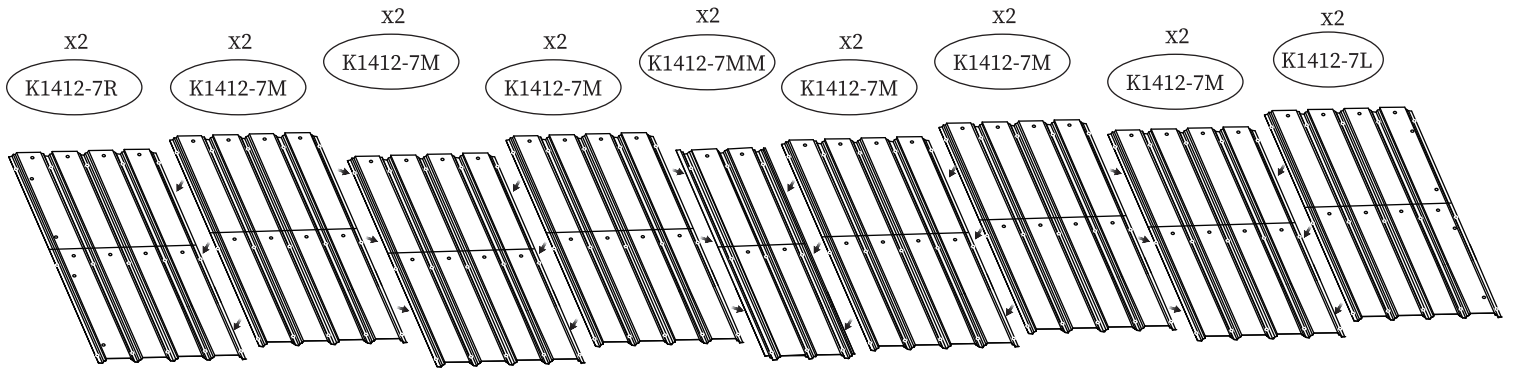
K1412-7L

STEP 15



According to the installation diagram, the lap joint of the two plates in the center of the plate is connected with the support beam K812-6L, K812-6M and K812-6R with F1 screws

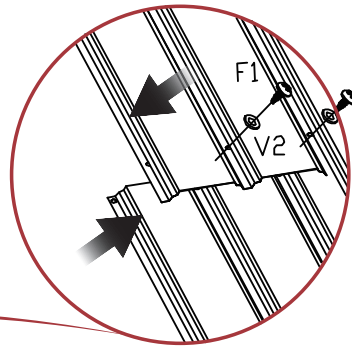
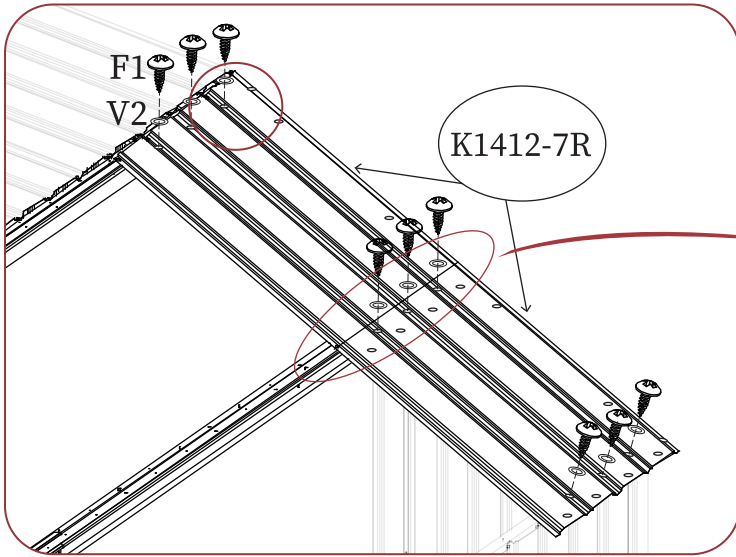
STEP 16



Attention: Install the tiles in the order shown in the picture, pay attention to the direction of the door, K1412-7L and K1412-7R should not be installed in reverse.

	F1	198
	V2	198

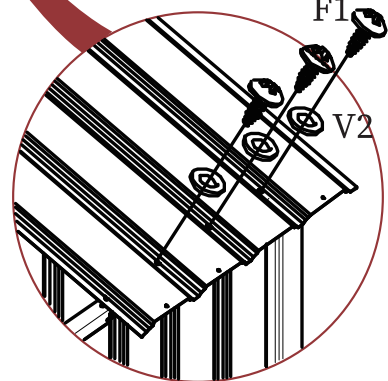
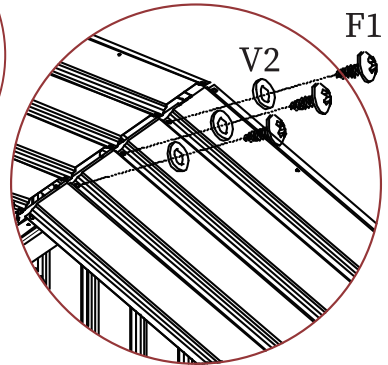
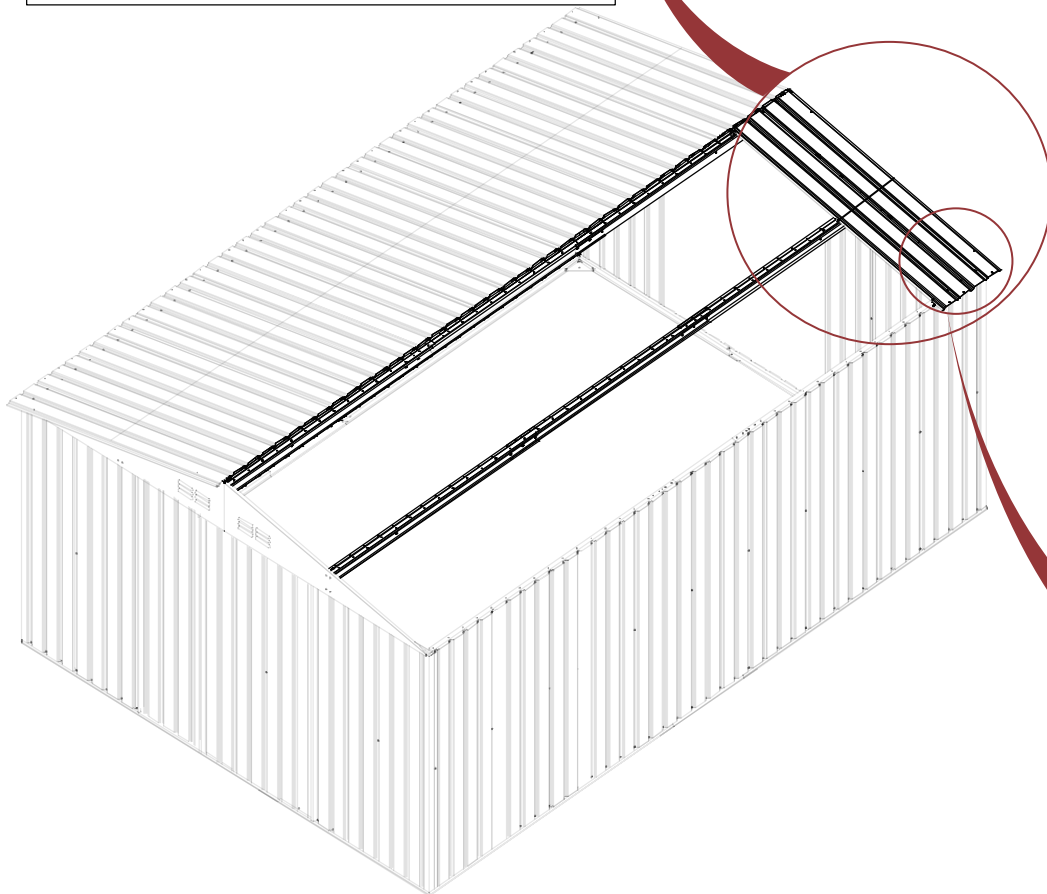
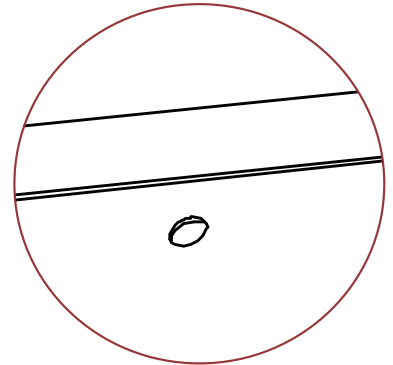
STEP 17



Note: The upper cover must be placed on top of the lower cover to prevent rain leakage.

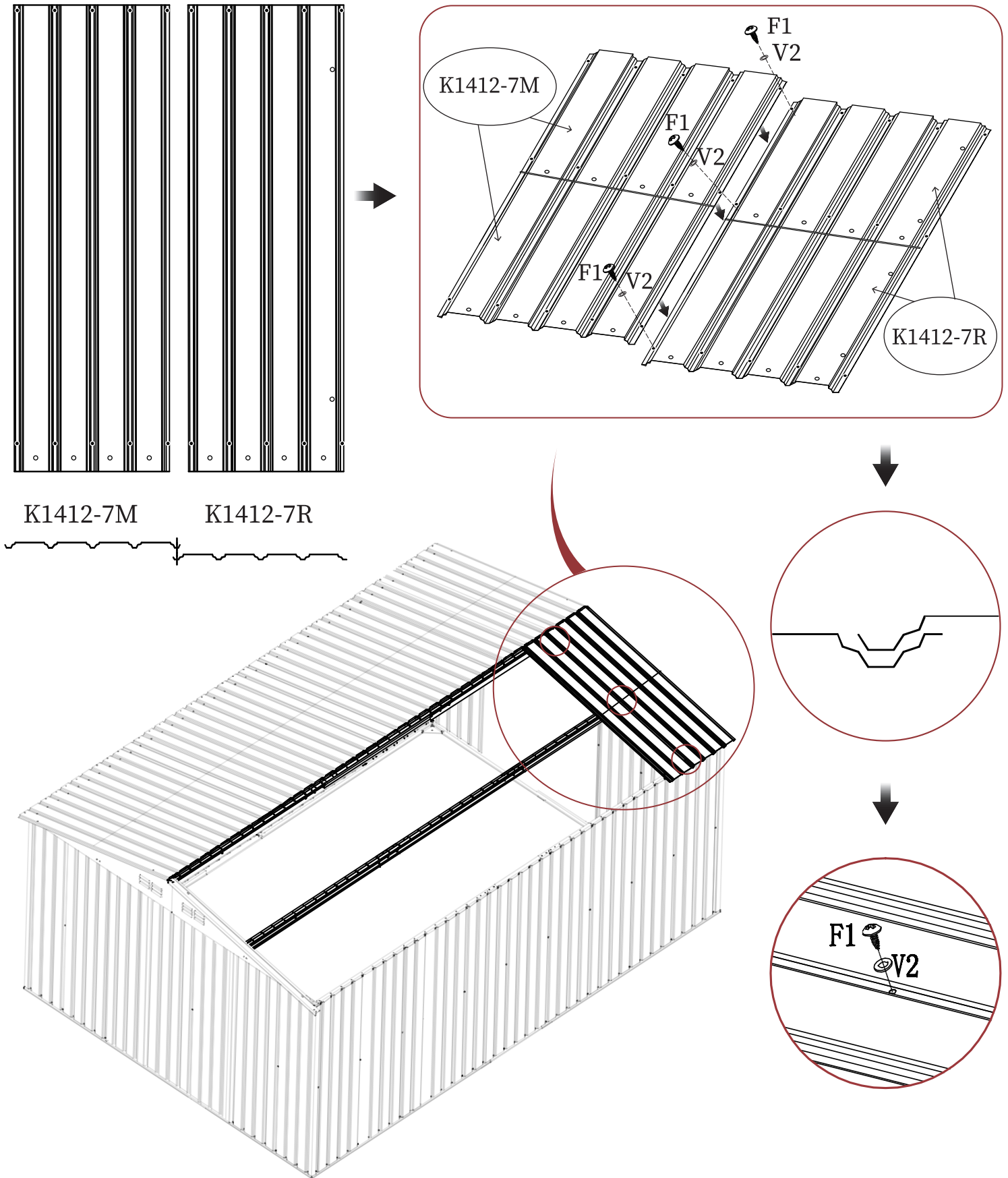
Attention: There are small holes on the outside for assembly with K1412-8.

When installing, pay attention to the direction of the door and see the location of the screw holes of K1412-7R.

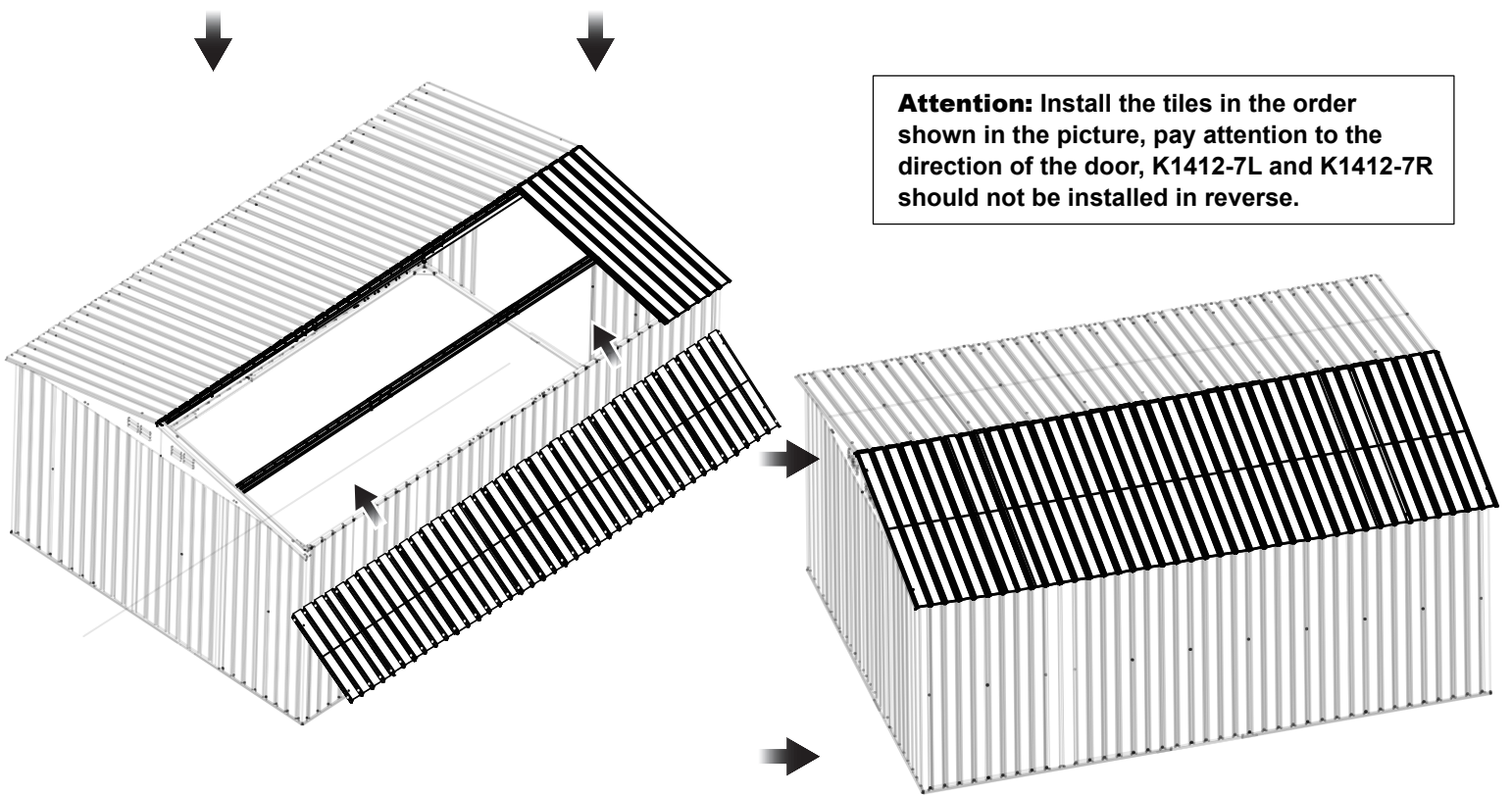
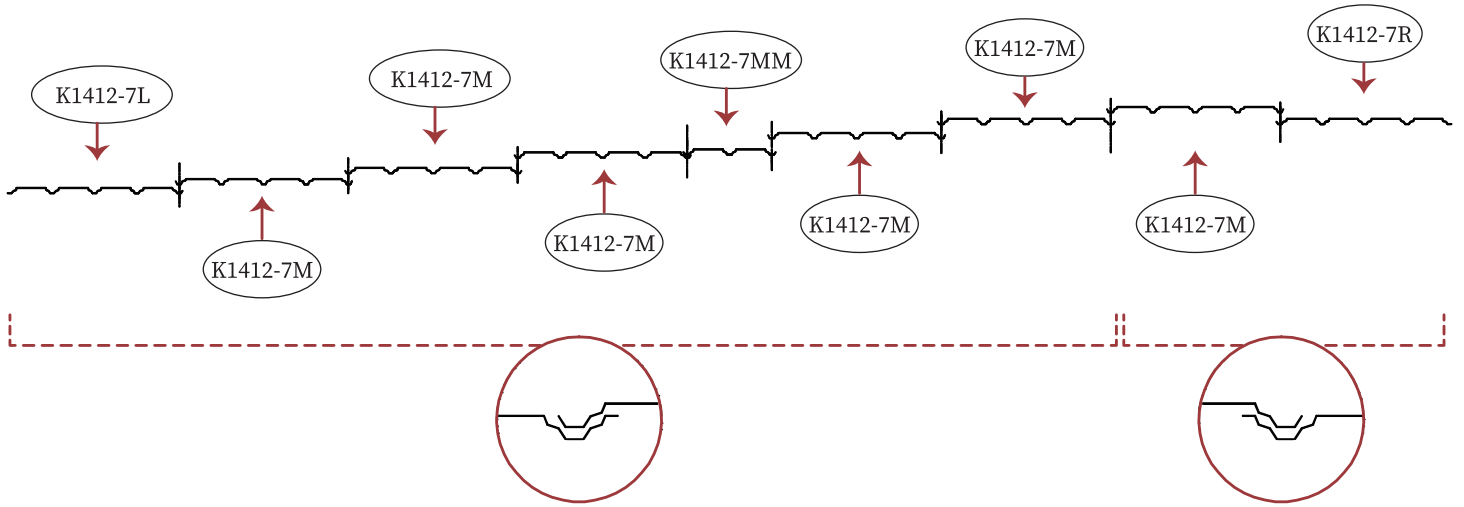
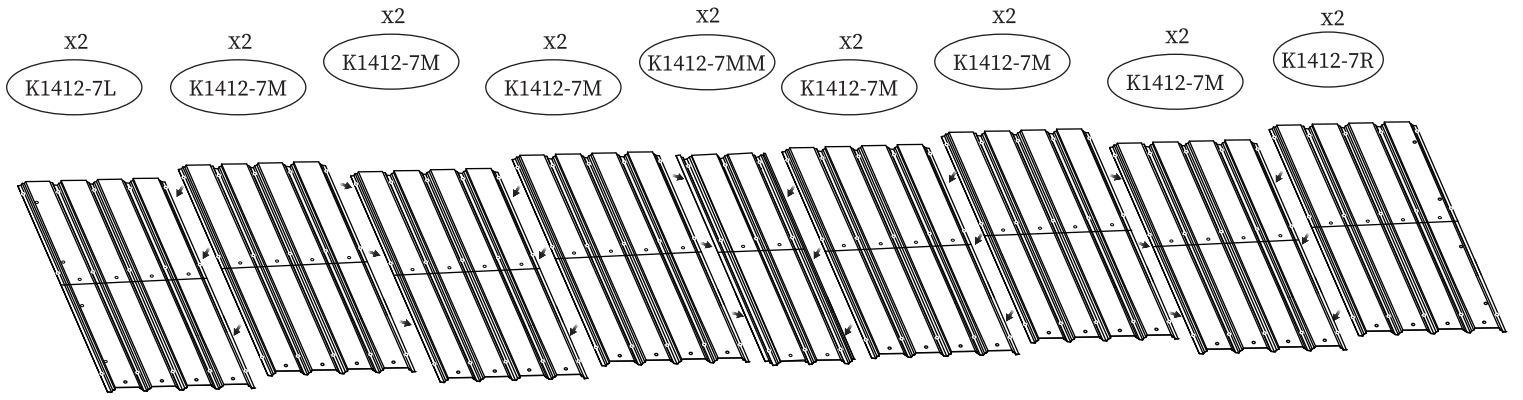


K1412-7R



STEP 18



STEP 19

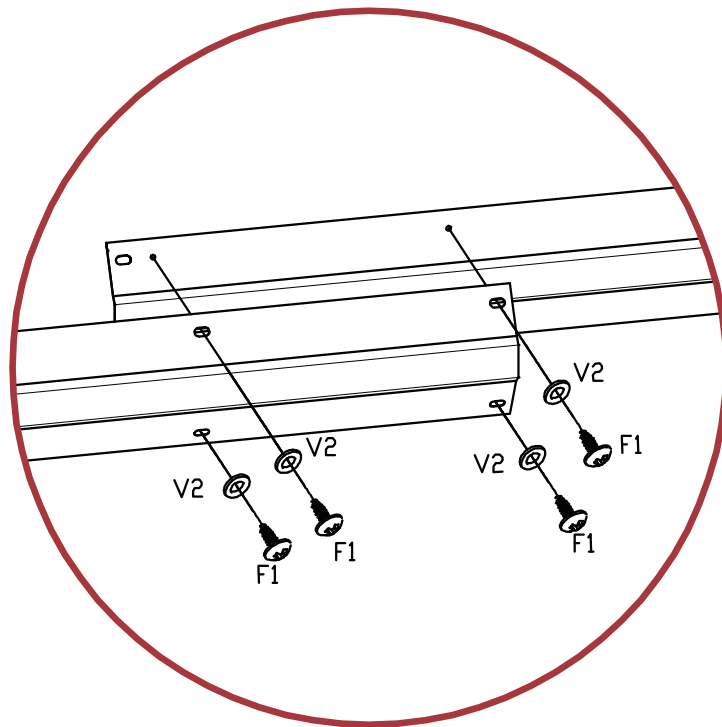
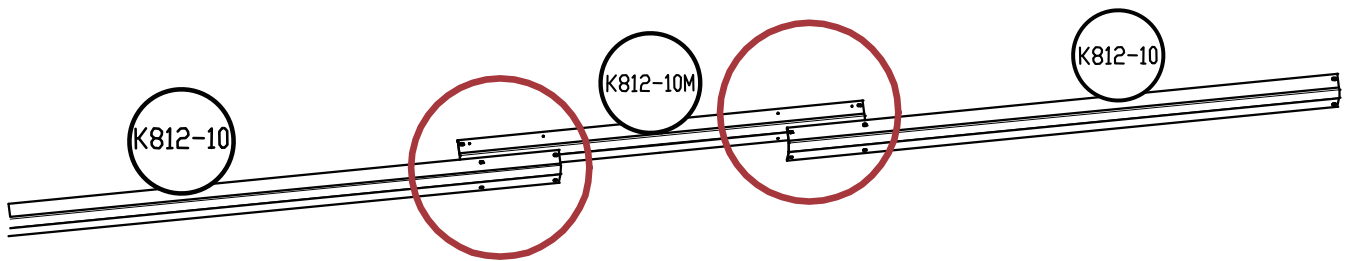
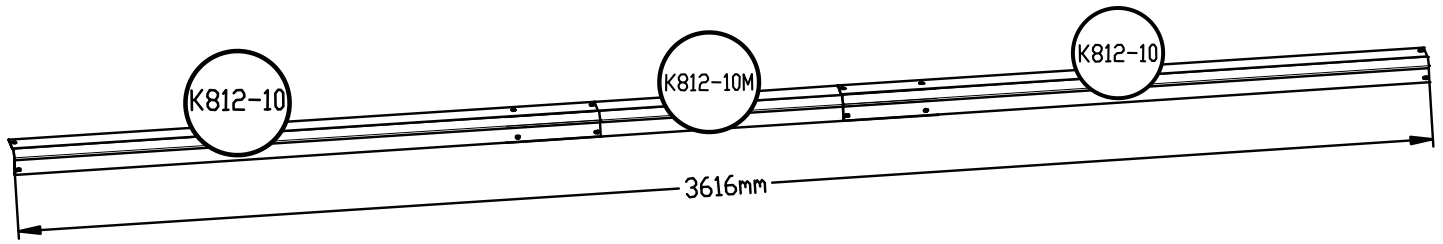




Attention: Install the tiles in the order shown in the picture, pay attention to the direction of the door, K1412-7L and K1412-7R should not be installed in reverse.

	F1	198
	V2	198

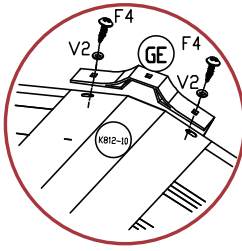
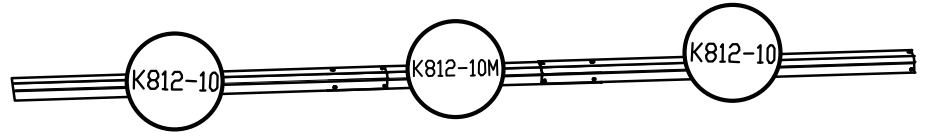
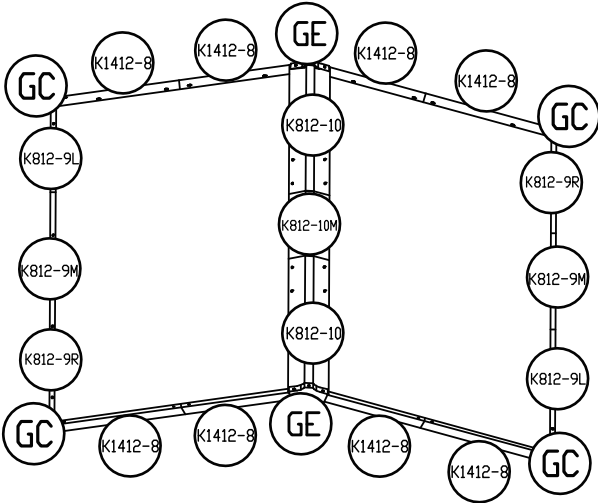
STEP 20

Anzhao diagram: The three components of the roof rain shield are connected with F1 self-tapping screws before subsequent installation

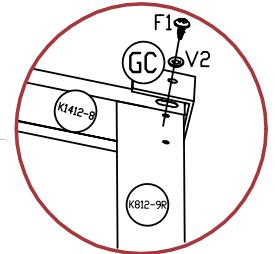
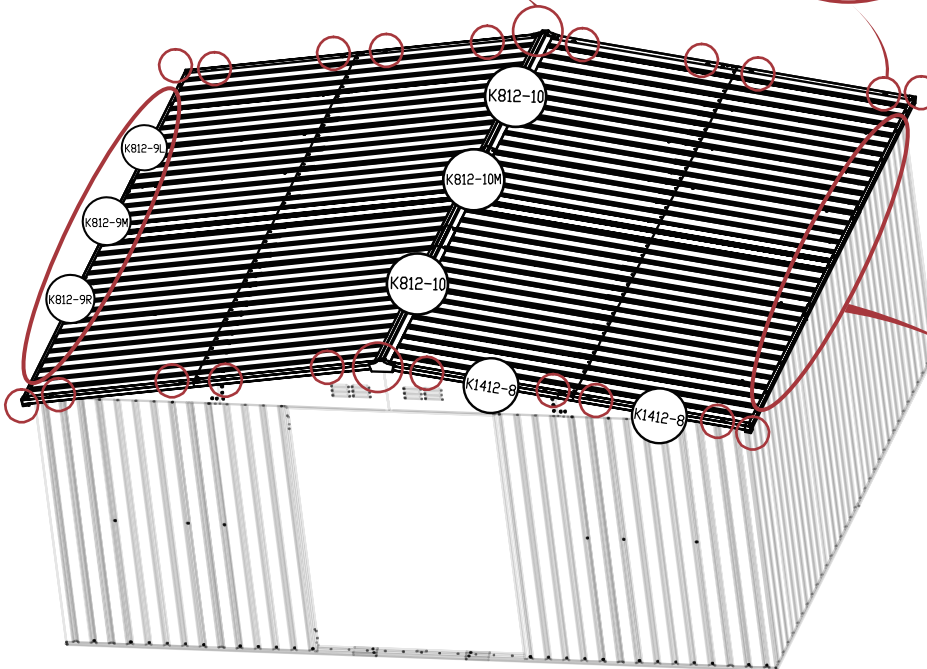
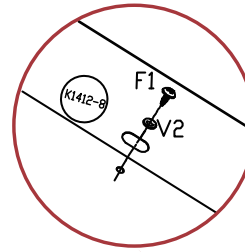
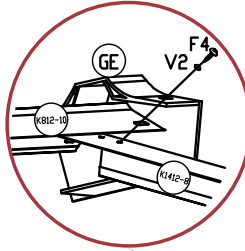


	F1	8
	V2	8

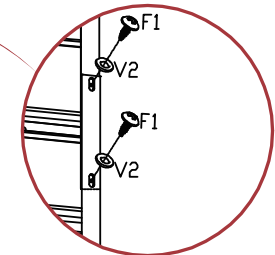
STEP 21



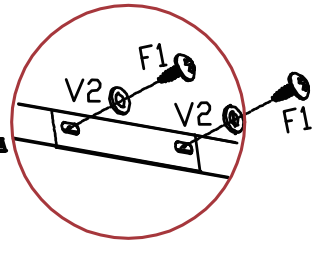
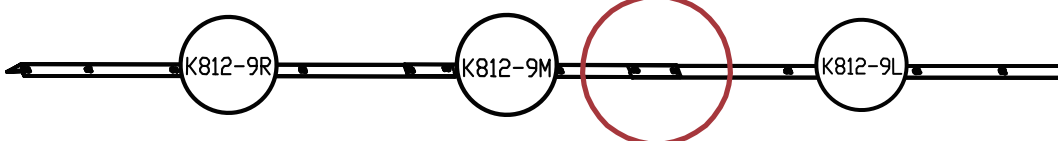
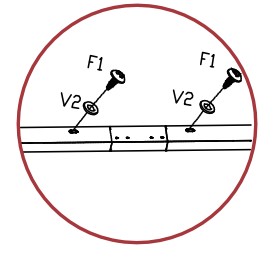
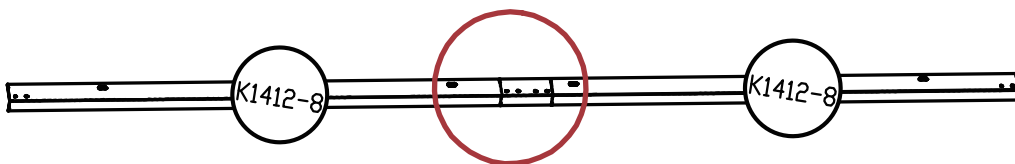
X2



X4



X2

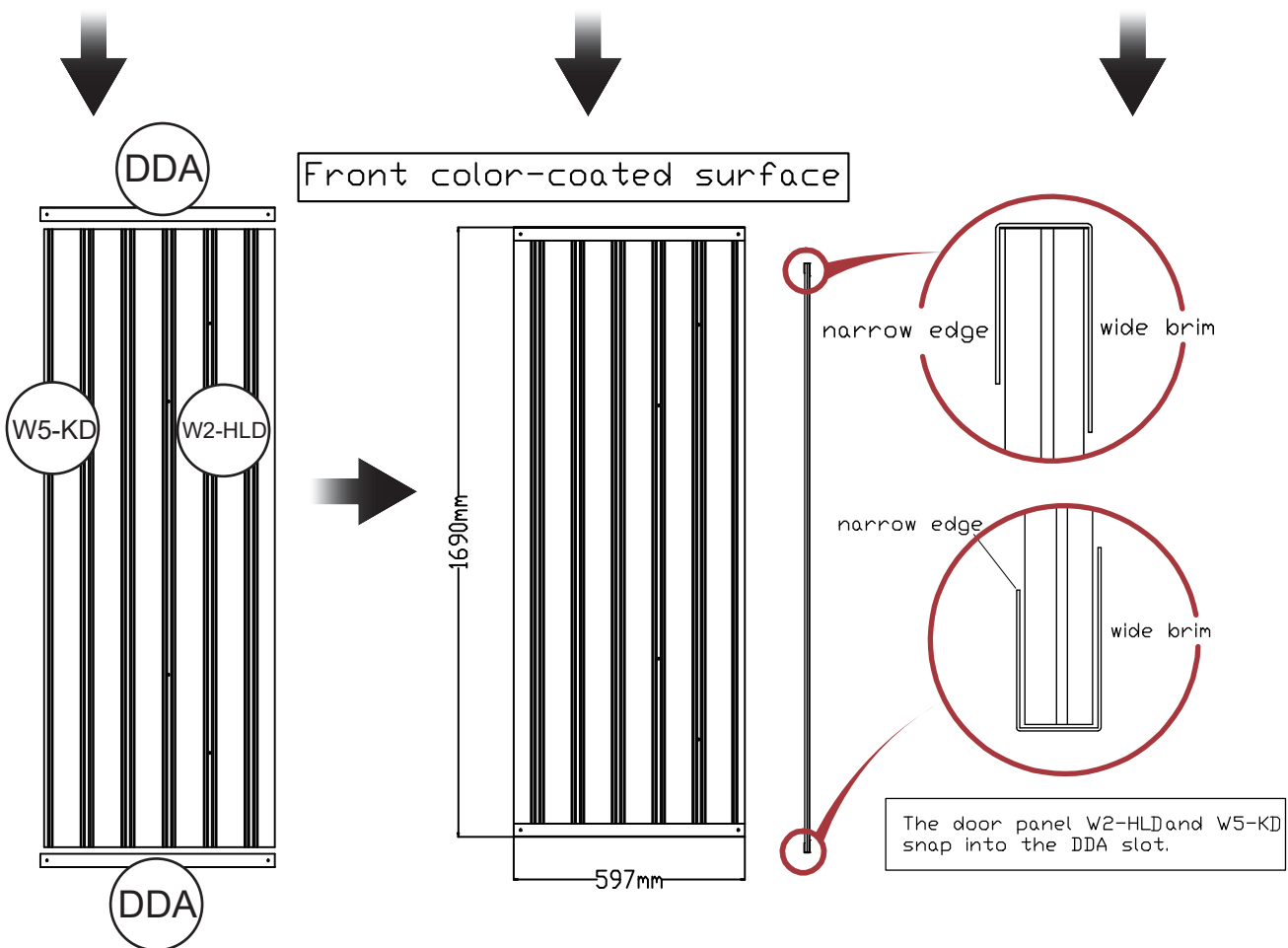
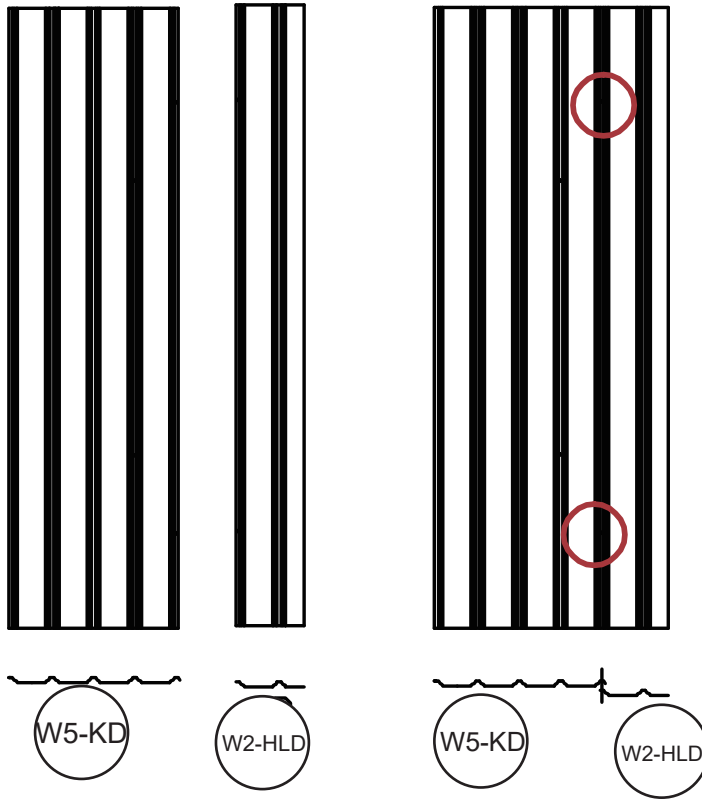



	F1	44
	V2	48
	F4	4

STEP 22

Left

DL



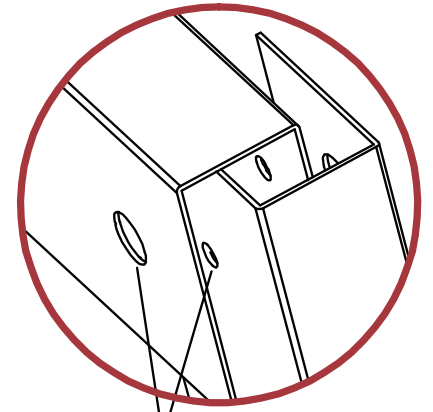
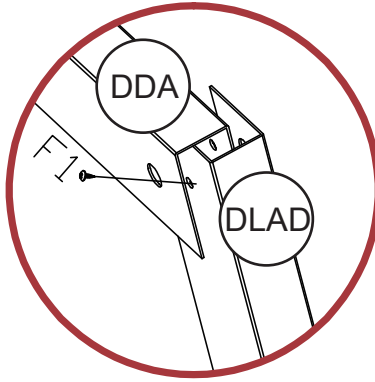
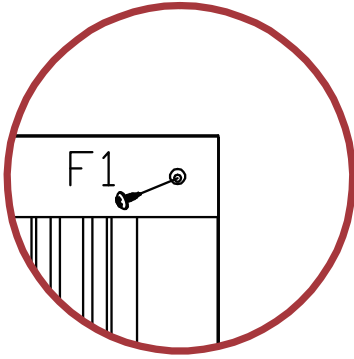
	F2	2
---	----	---

STEP 23

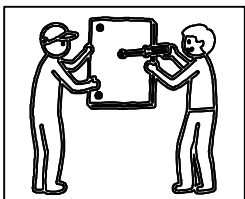
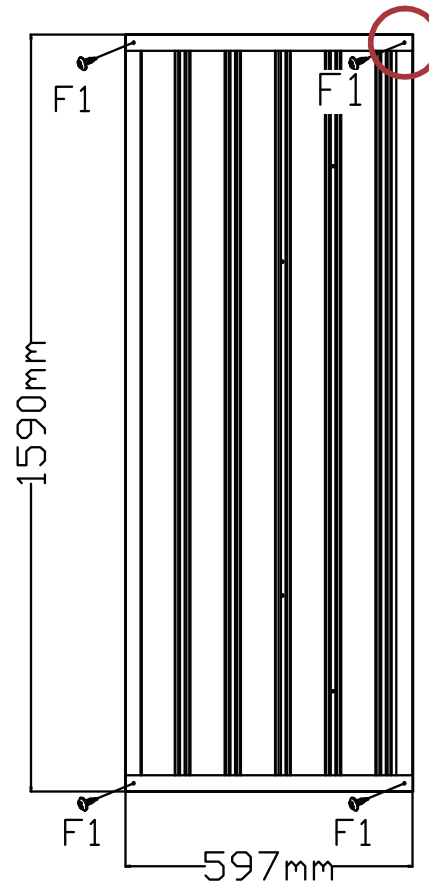
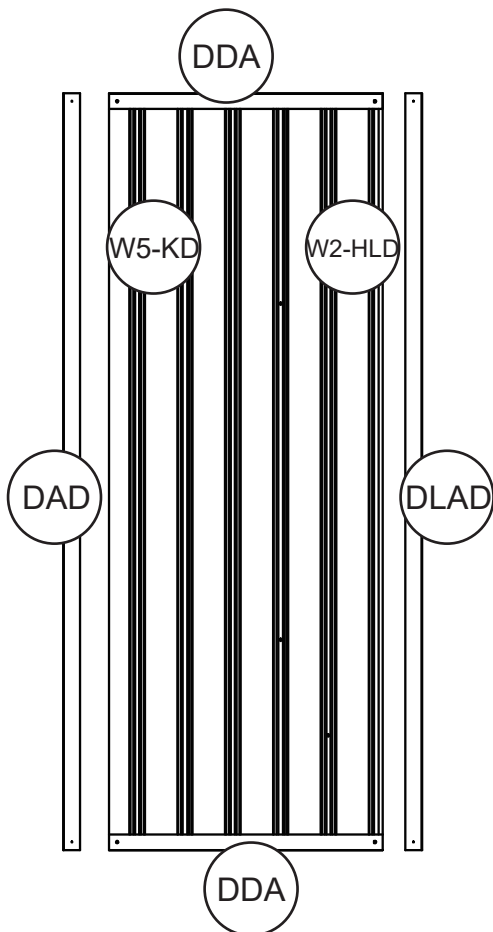
Left door panel splicing

positive

Front color-coated surface



Big hole on the outside,
small hole on the inside,
connected with an F1 screw.



	F1	4
--	----	---

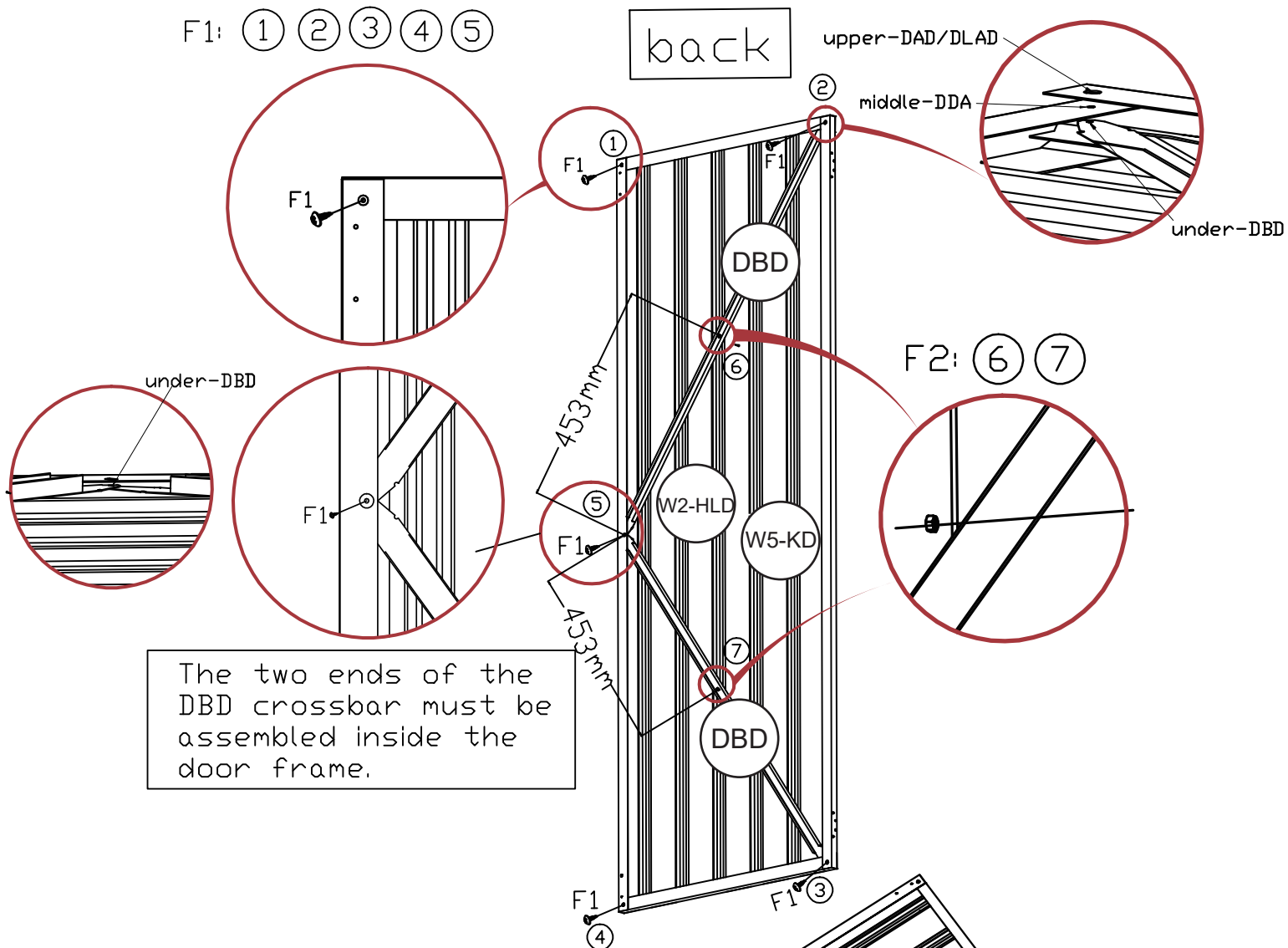


This step requires two people to complete the installation together.

STEP 24

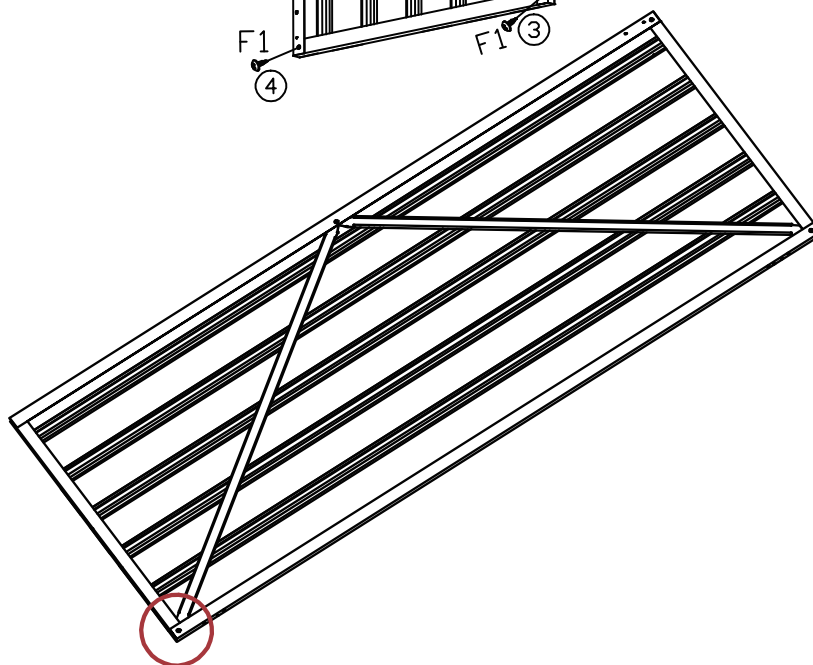
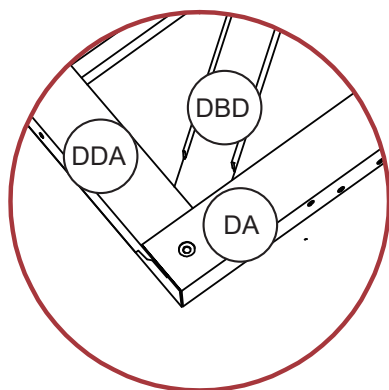
Left door panel splicing

F1: ① ② ③ ④ ⑤





F2: ⑥ ⑦

The two ends of the DBD crossbar must be assembled inside the door frame.



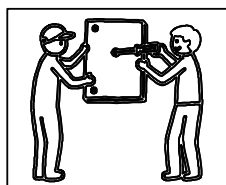
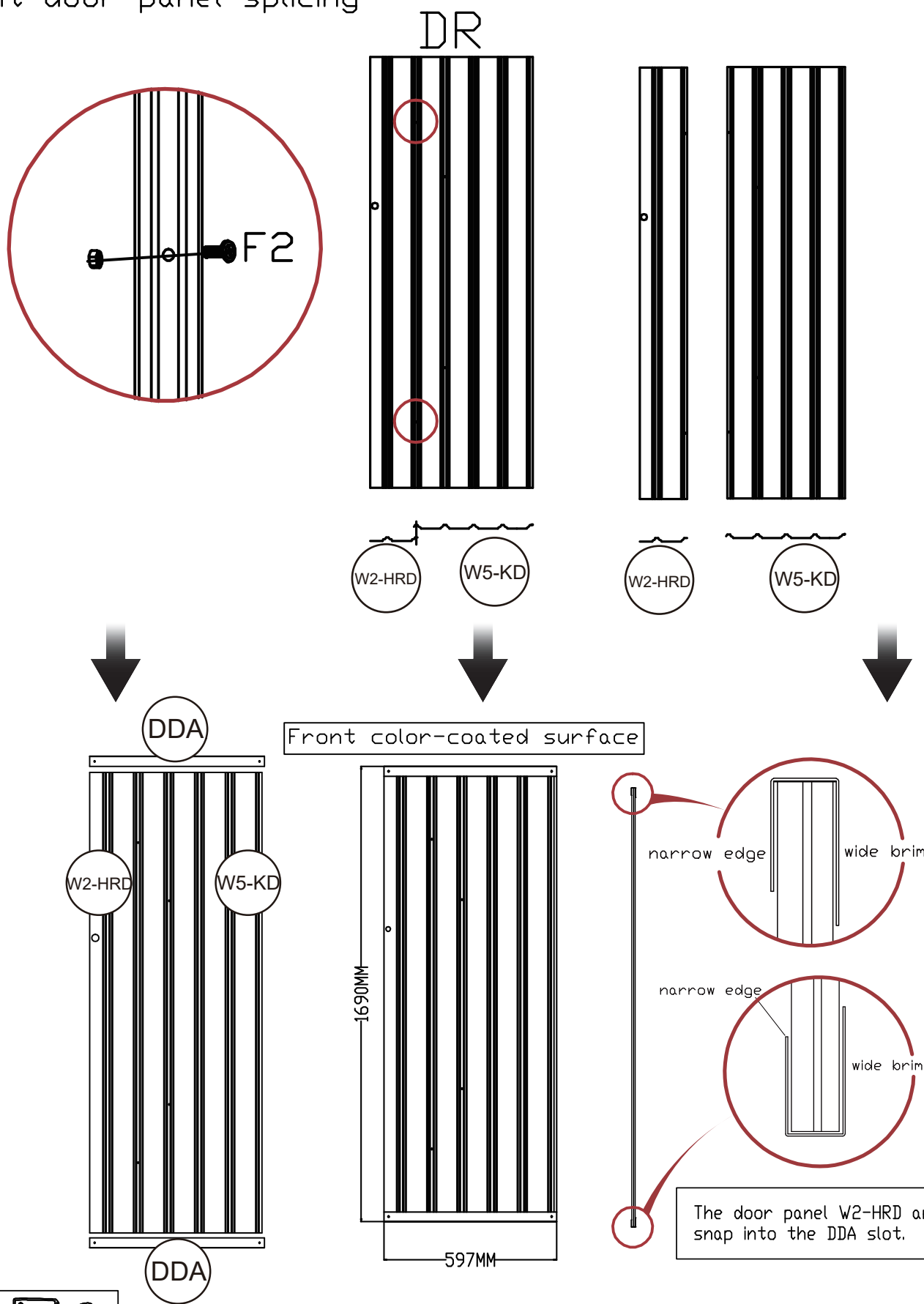
The cross pole DBD must be installed underneath DDA and DAD

Attention: Installation sequence of screws ① → ② → ③ → ④ → ⑤ → ⑥ → ⑦

	F1	5
	F2	2

STEP 25

Right door panel splicing



This step requires two people to complete installation together.

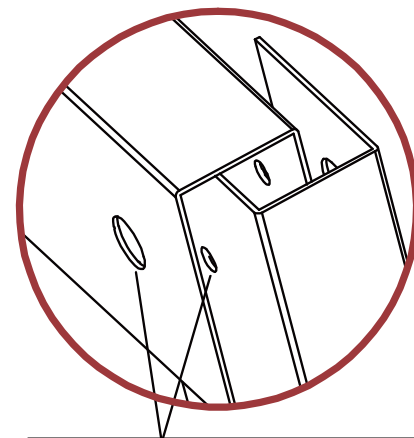
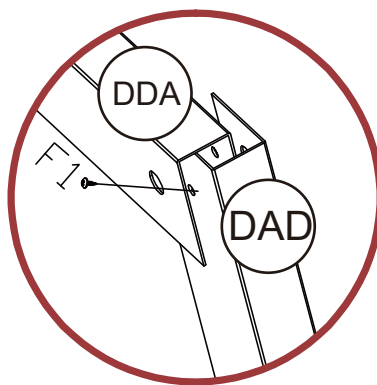
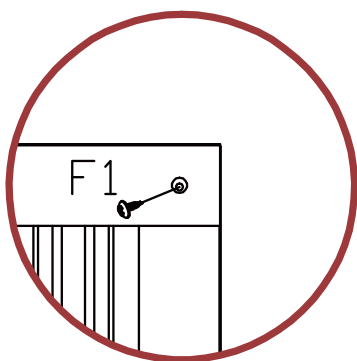
	F2	2
--	----	---

STEP 26

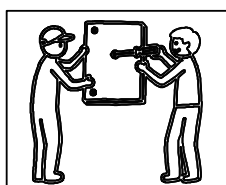
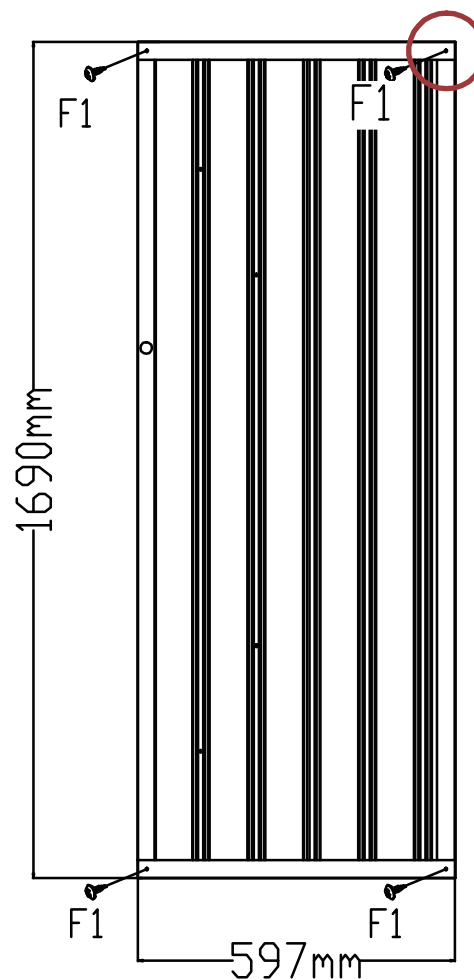
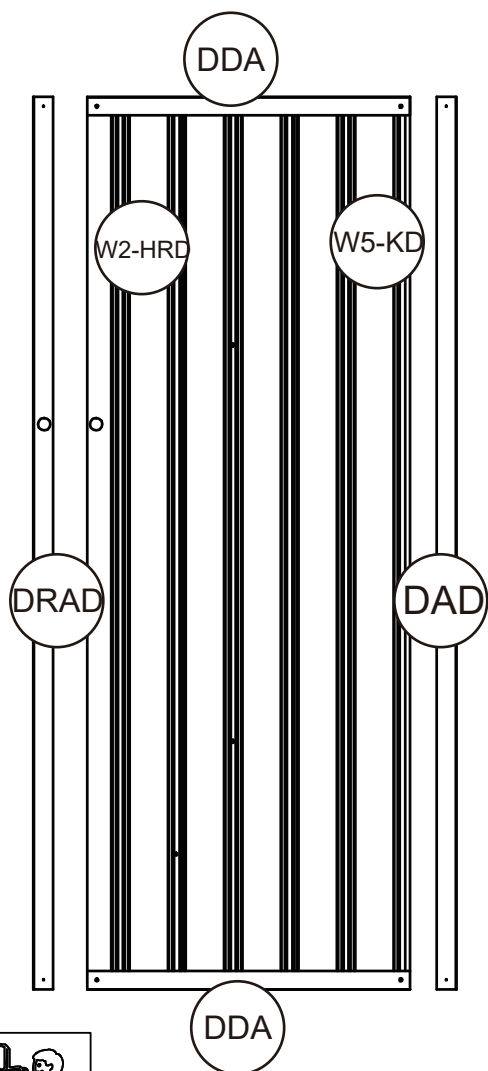
Right door panel splicing


positive


Front color-coated surface



Big hole on the outside, small hole on the inside, connected with an F1 screw.



 This step requires two people to complete installation together.

	F1	4
---	----	---

STEP 27

Right door panel splicing

Attention: Installation sequence of screws ① → ② → ③ → ④ → ⑤ → ⑥ → ⑦

F1: ① ② ③ ④ ⑤

back

upper-DAD/DRAD

middle-DDA

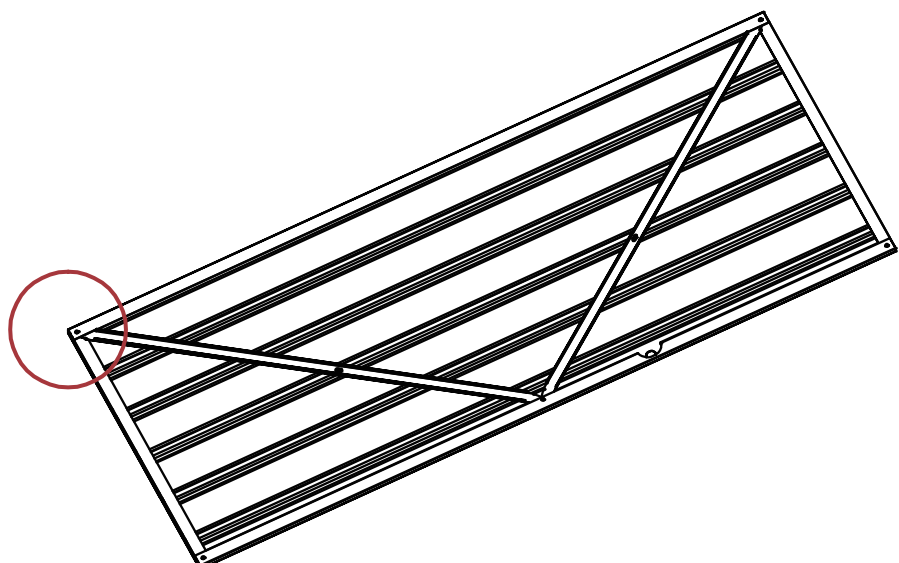
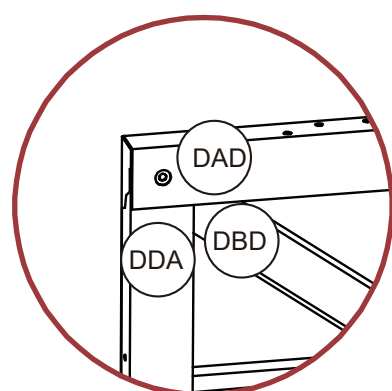
under-DBD

under-DBD



F2: ⑥ ⑦

F2

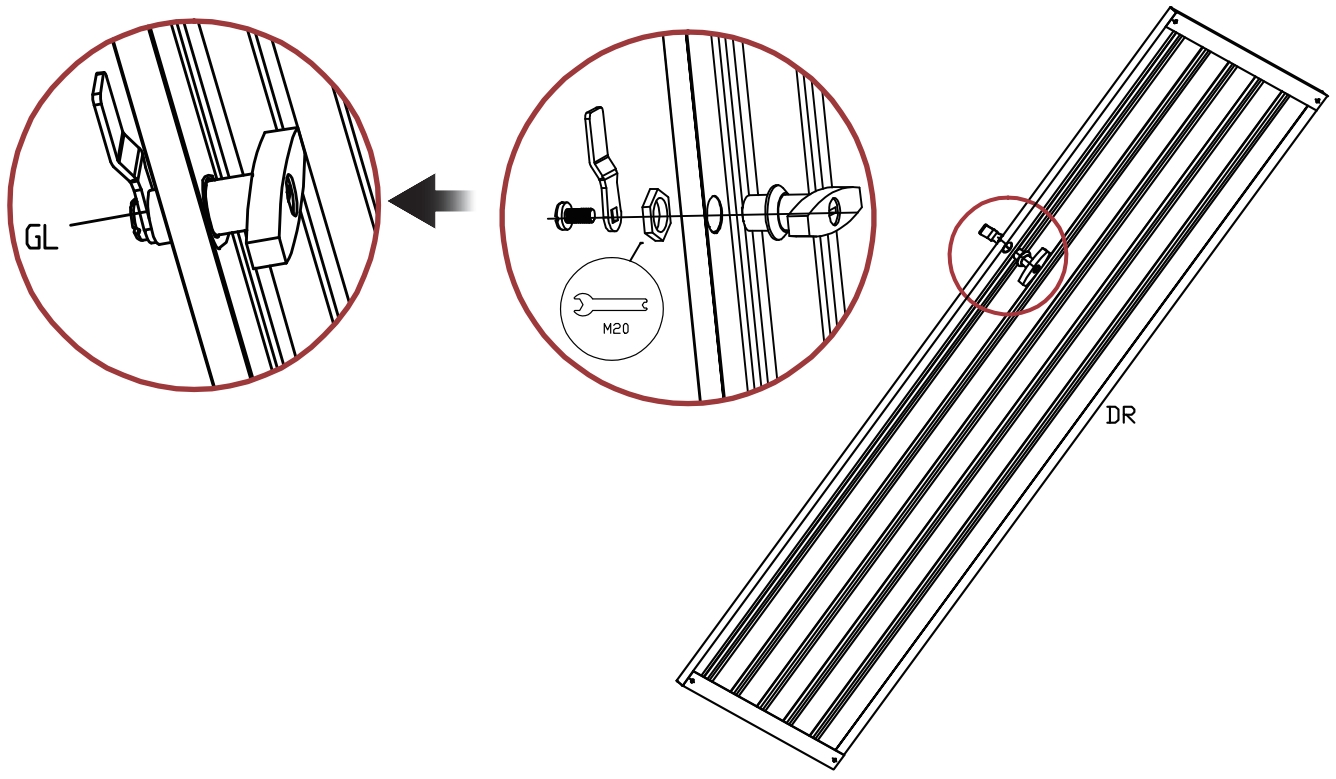
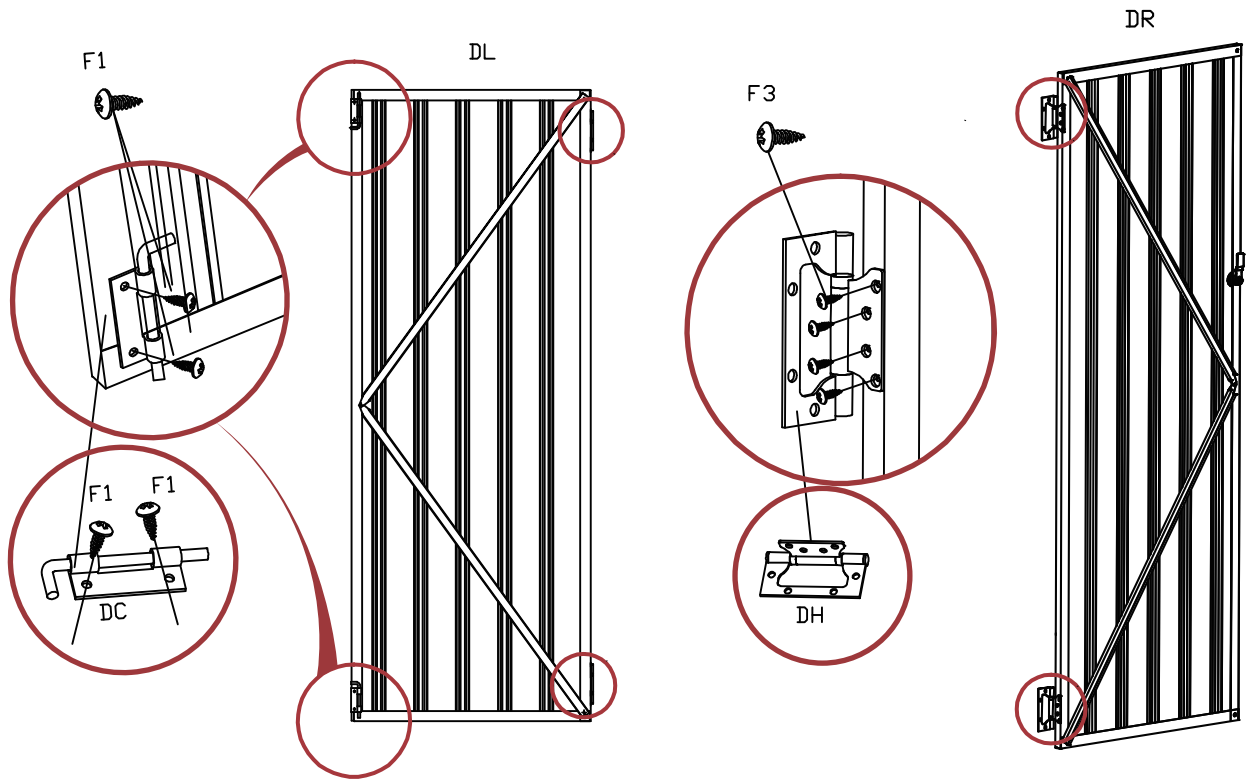
The two ends of the DBD crossbar must be assembled inside the door frame.





The cross pole DBA must be installed underneath DDA and DAD

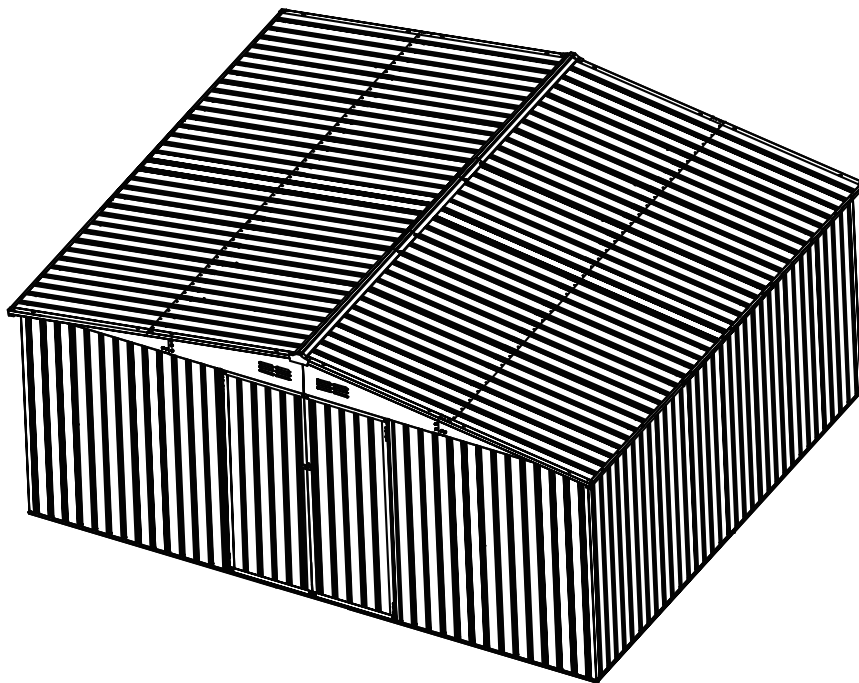
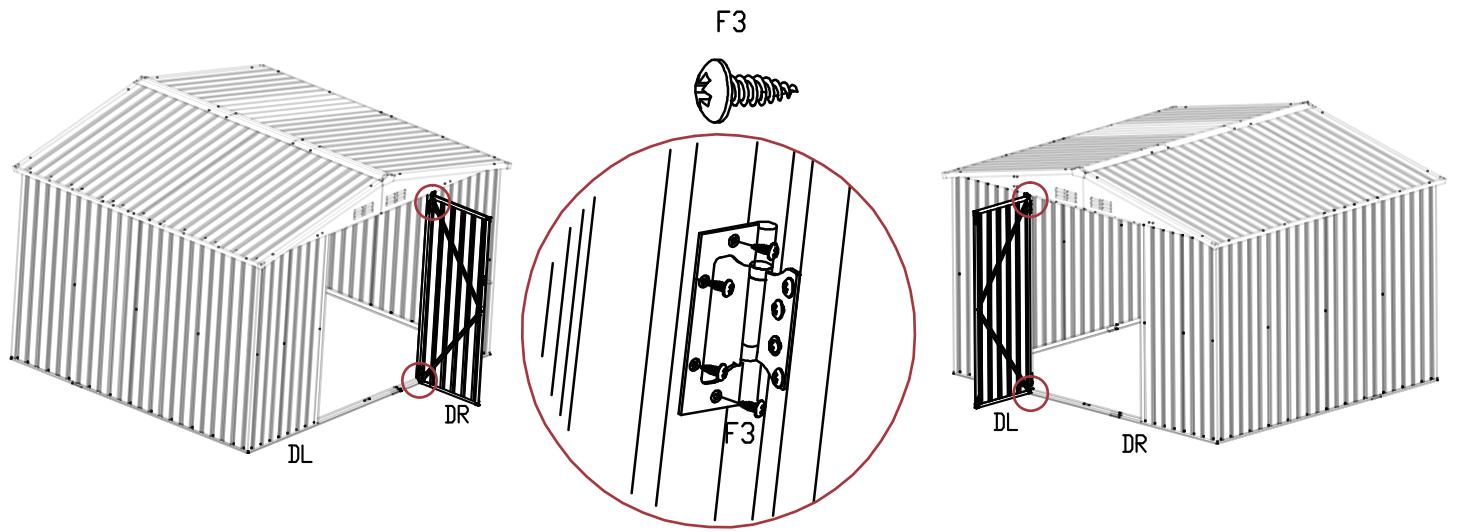
	F1	5
	F2	2

STEP 28



	F3	16
	F1	4

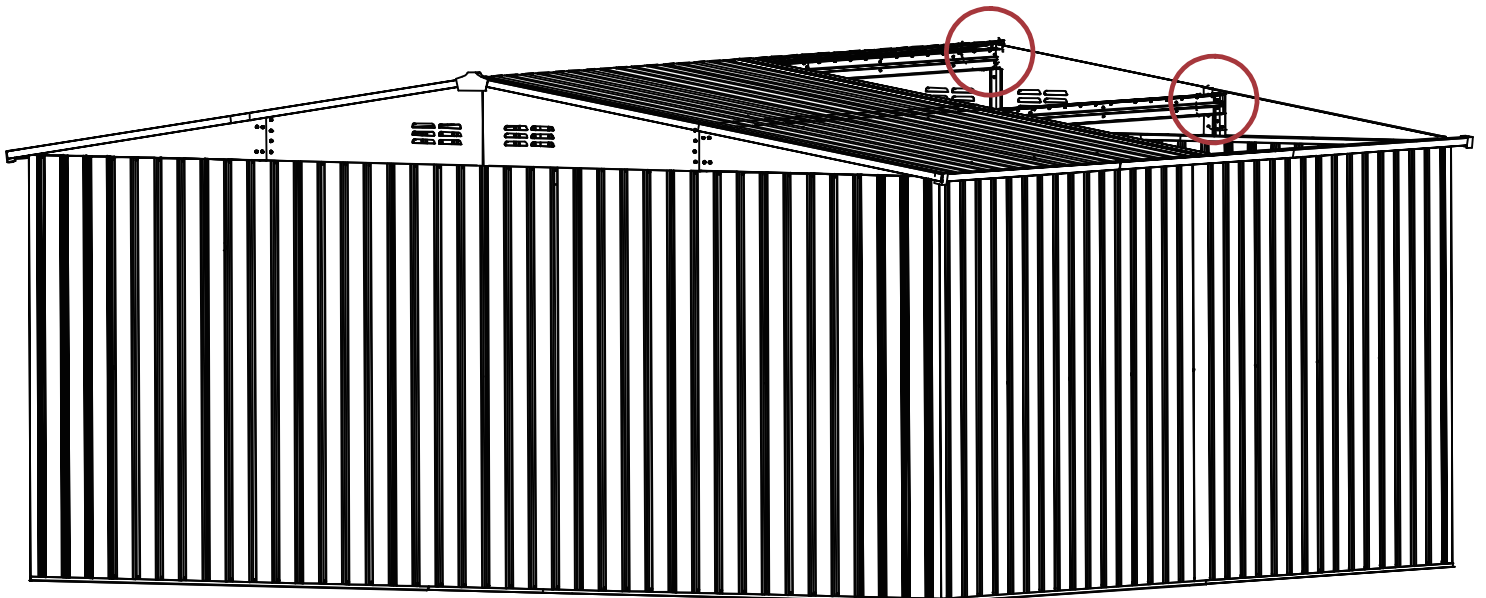
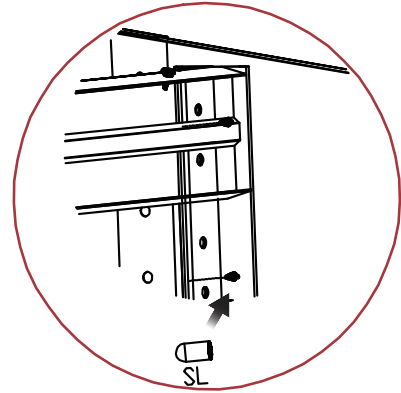
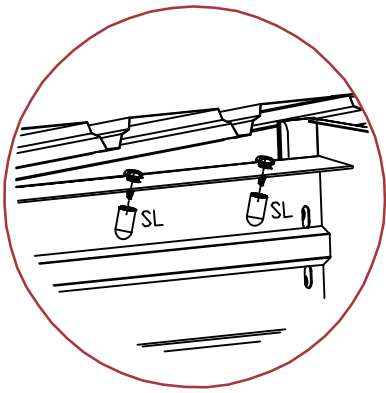
STEP 29



STEP 30

The exposed part of the upper beam K812-6L, K8126M, K812-6R and the top cover assembly screw needs to be covered with a plastic protective cap.

The connecting screws of ventilation plates K1412-5L1, K1412-5L2, K1412-5R1, 1412-5R2 and K1012-11 need to be covered with plastic protective caps



WARNING

ADULT ASSEMBLY REQUIRED

CHOKING HAZARD

- This product includes small parts, sharp points and sharp edges in its unassembled state.
- Keep unassembled parts away from children under 3 years of age, and animals.

SAFETY WARNINGS

- Follow the information on the warnings appearing on this manual.
- Do not allow children under 3 years of age to use the product.
- Do not use substitute parts. Contact the manufacturer for replacement parts.

USE, MAINTENANCE & ASSEMBLY

- Periodically check and ensure that the components are in their proper position, free from damage, and that all connectors are tight.
- Use on level surfaces only. Assemble on a soft level surface to avoid damage to unit or floor.
- Do not use this item if any components are missing or damaged.
- Only clean using damp cloth and mild detergent, do not use bleach or abrasive cleaners.

CARE & SAFETY

- Unsuitable for storage of flammable or corrosive substances.
- It is of utmost importance to assemble all of the parts according to the directions. Do not skip any step.
- Please consult your local authorities if any permits are required to erect shed.
- Periodically check shed to assure that it remains stable and that the site remains level.
- It is highly recommended to secure the shed to an immovable object or to the ground by drilling holes in the floor at the pre-marked locations and inserting proper screws into the ground (screws are not included).
- Wear safety-goggles and always follow the manufacturer's instructions when using power tools.
- Wash shed with garden hose or a mild detergent solution. Using a stiff brush or abrasive cleaner could damage shed.
- Hot items such as recently used grills, blowtorches, etc. Must not be stored in the shed.
- Heavy articles should not be leaned against the walls, as this may cause distortion.
- Keep roof clean of snow and leaves. Heavy amounts of snow on roof can damage the shed making it unsafe to enter.
- Although wind direction varies, it is an important factor when taking into account where to place your shed. Therefore, it is recommended to reduce wind exposure of the shed in general, and the door side in particular.
- Keep doors closed and locked to prevent wind damage.
- Do not stand on the roof.

RETURN REQUEST

In order to get a full refund as described in this return policy, all items must be:

- (1) In a brandnew/unused condition, please provide photos before and after packaging.
 - (2) When returning, all accessories and parts are firmly packed in all original packaging.
- If your return does not meet the requirements, you may not get a full refund.

When will I be refunded?

The refund is released once the goods have been returned to our warehouse.

What if the product is damaged/defective outside of the valid return period?

We want you to be a happy customer. Please reach out to us by email and we will come up with a solution to make sure you are satisfied.

