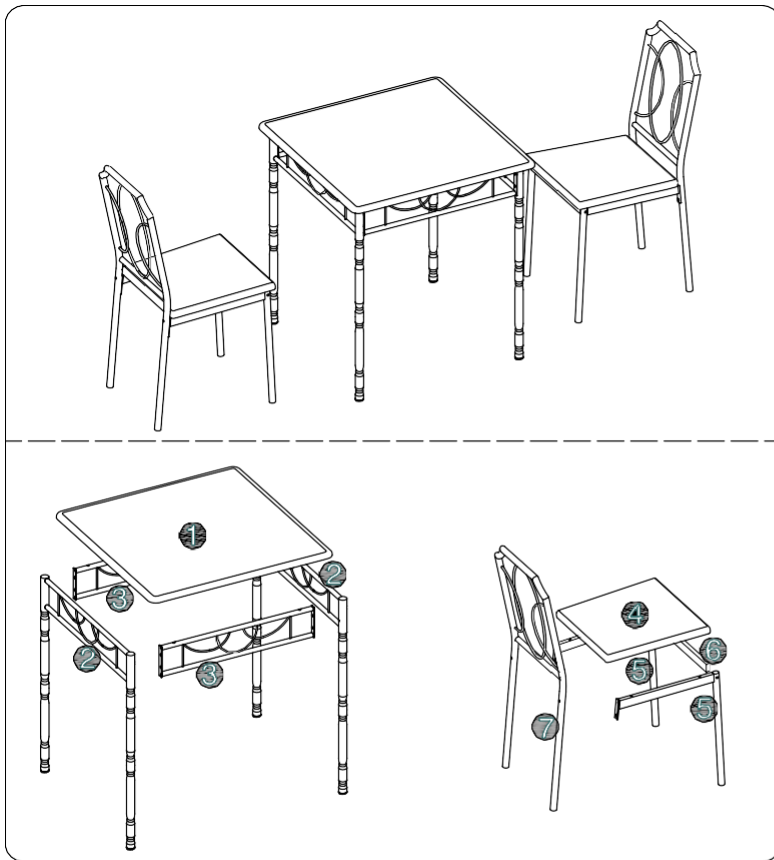


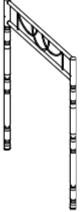






INSTALLATION & ASSEMBLY



Componets

Table			Chair		
①	 700*700mm	1	④	 365/395*390mm	2
②		2	⑤		4
			⑥		2
③		2	⑦		2


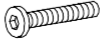


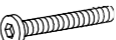

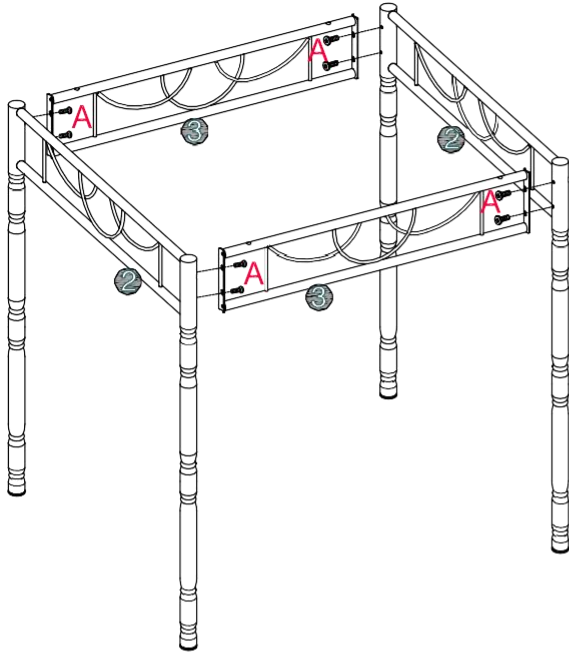
Screws & Tools	A	 M6*12mm	12	C	 M6*30mm	4	E	 4mm	1
		B	 M6*24mm	4	D	 M6*45mm	12		


Table Assembly

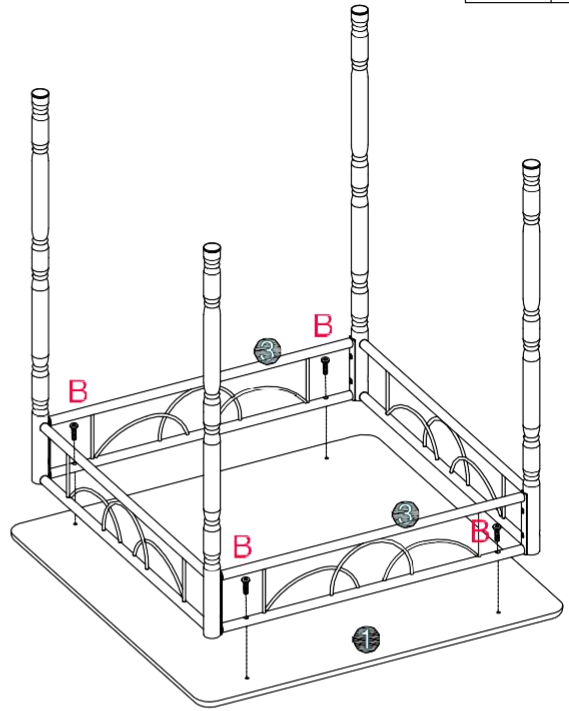
1 StepA: Table installation steps

 A×8



2

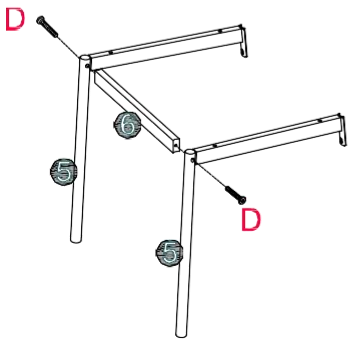
 B×4



Chair Assembly


3 StepB: Chair installation procedure


 D×4

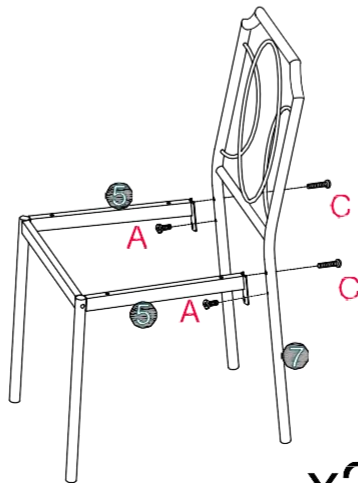


x2

4

 A×4

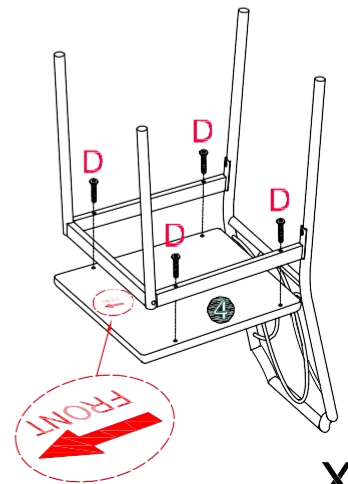
 C×4



x2

5

 D×8



x2