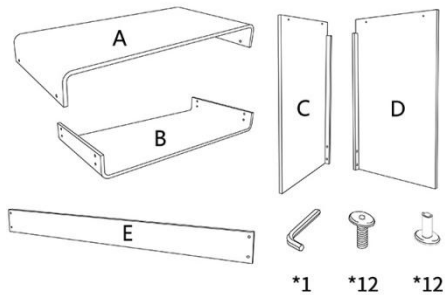


Narrow Bookshelf Instructions

Five Easy Processes

1. Check whether the accessories are complete.
2. Clear hole positions and corresponding accessories.
3. Roughly understand the installation sequence.
4. Remove the protective film.
5. Do it!

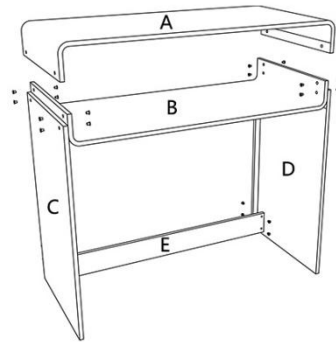
A.Parts list and hole position:



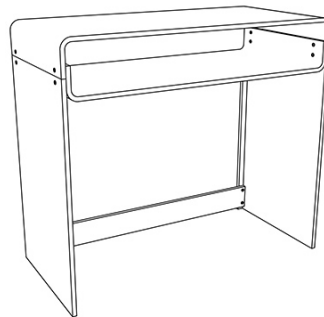
If you have any after-sales questions, welcome to contact us on Amazon. The staff of solaround are pleasure to serve you.

B.Installation steps

Step 1, put the product on the carpet, As shown in the picture, install screws and corresponding panels.



Step 2: Install the panel and finish.



C.Care instructions

Usually: soft cloth + water.

Stubborn stains:Acrylic furniture can be wiped clean with Naphtha.

⚠ Never wipe with harsh liquids such as gasoline or essential balm.

⚠ Never expose to the sun for a long time.