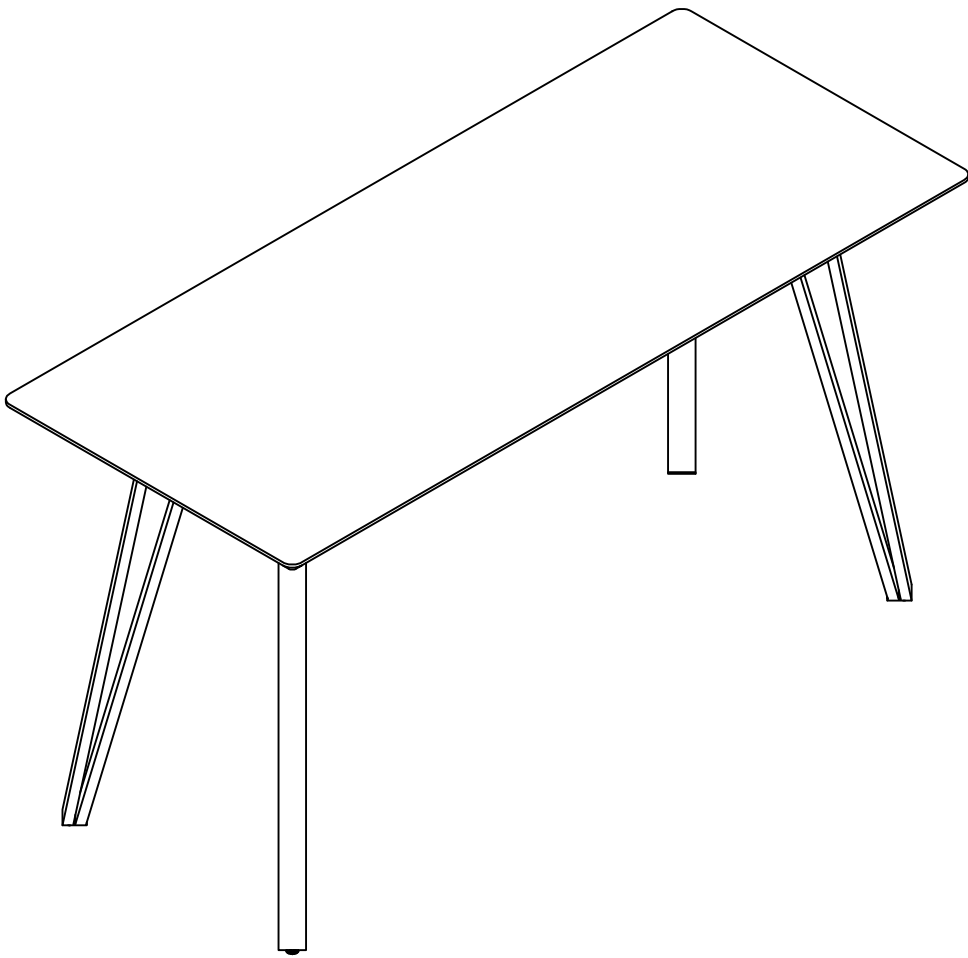


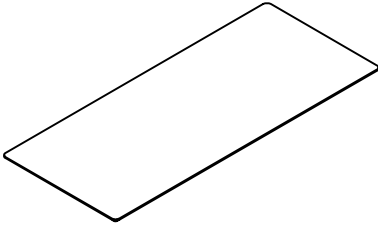

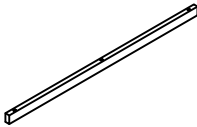
Assembly Manual

6090-5209EG





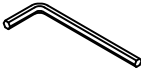


Assembly Manual





6090-5209EG

<p>1</p>  <p style="text-align: right;">1pc</p>	<p>2</p>  <p style="text-align: right;">4pcs</p>
<p>3</p>  <p style="text-align: right;">1pc</p>	

Hardware Accessories

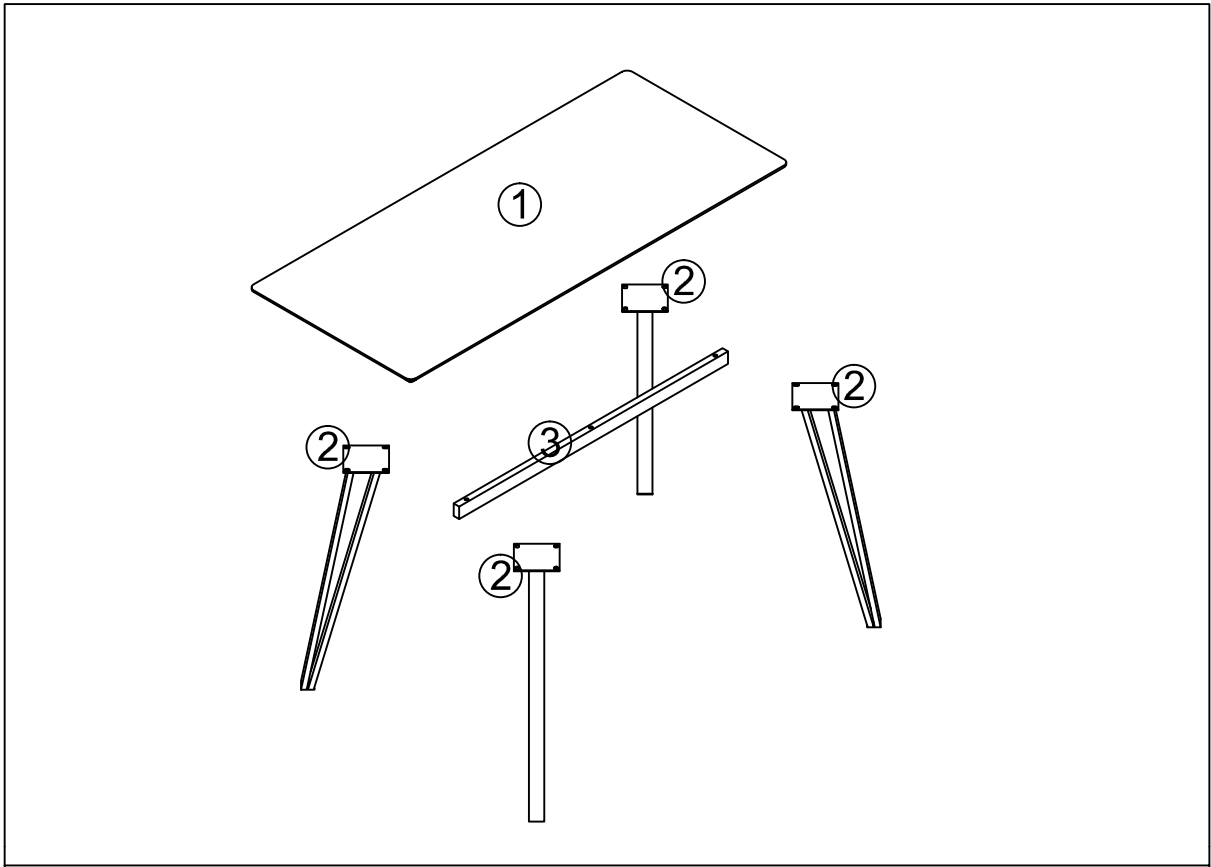
NO.	Picture	SIZE	QTY		NO.	Picture	SIZE	QTY
A		M6*L16mm	16		B		M6*L50mm	3
C		Ø6*16	16		D		M6	4
E		5#	1					

SPARE

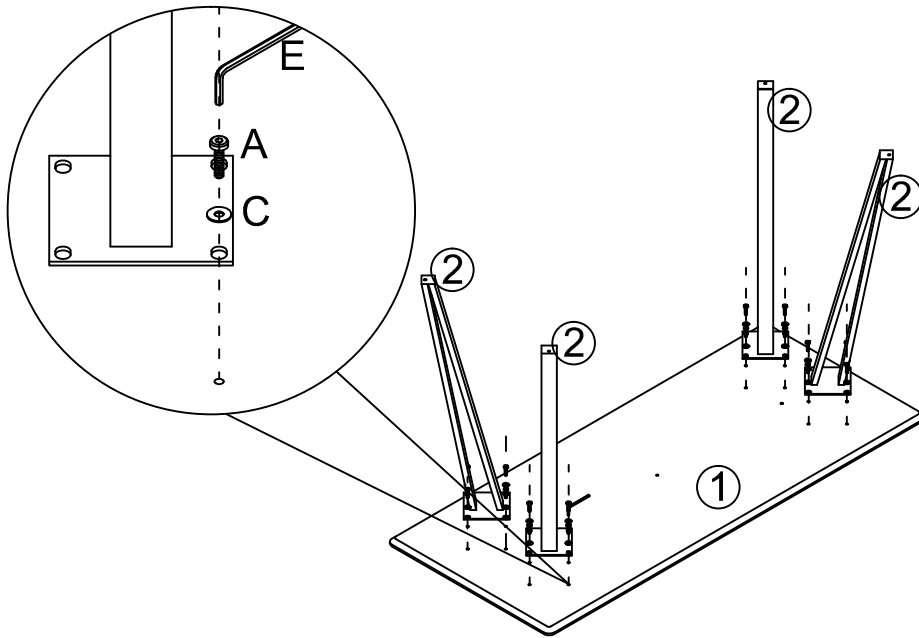
NO.	Picture	SIZE	QTY		NO.	Picture	SIZE	QTY
A		M6*L16mm	1		B		M6*L50mm	1
C		Ø6*16	1		D		M6	1

Assembly Manual


6090-5209EG




step 1



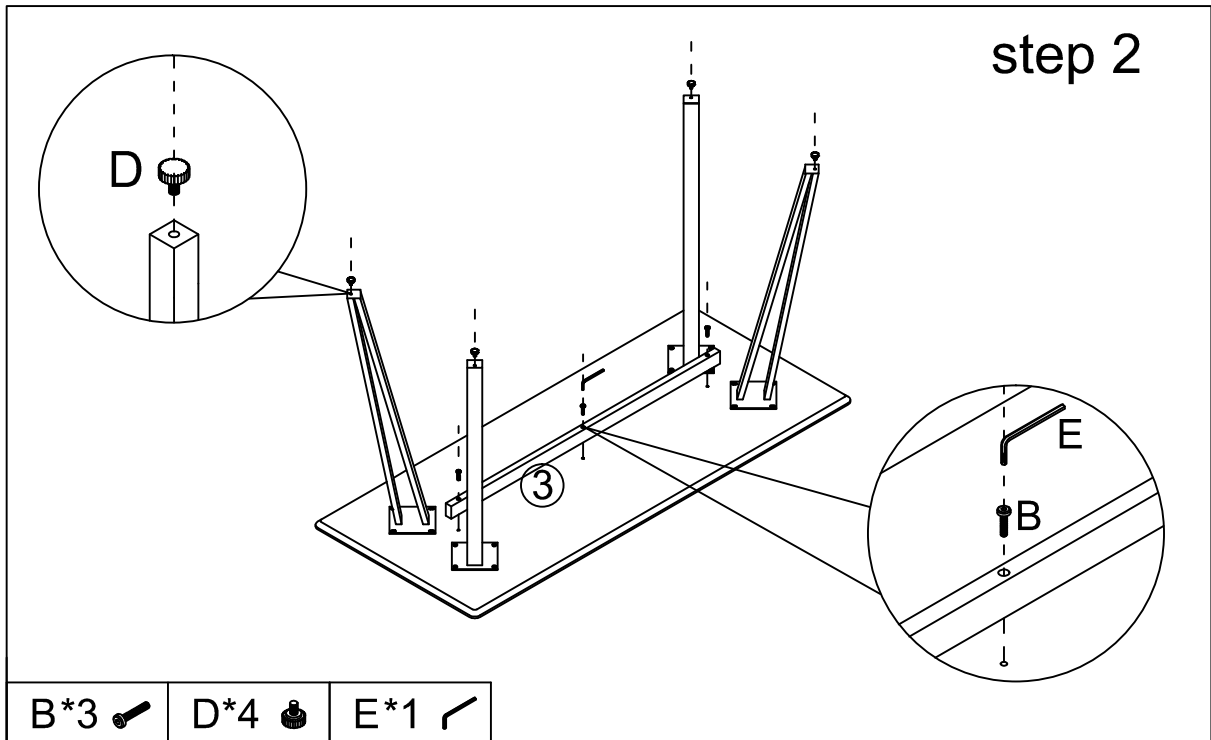
A*16 

C*16 

E*1 

Assembly Manual

6090-5209EG



COMPLETED DRAWING

