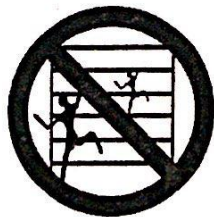
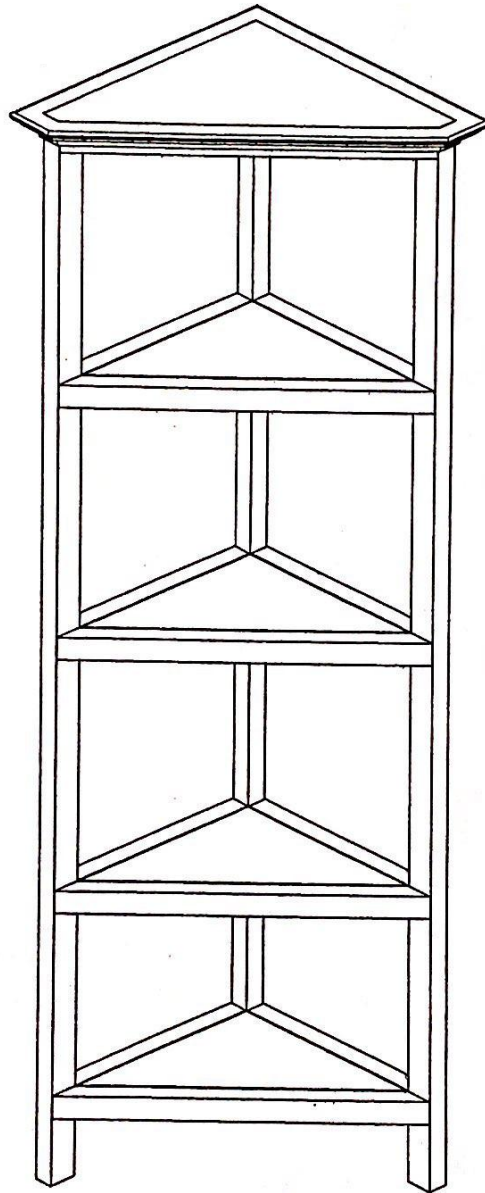
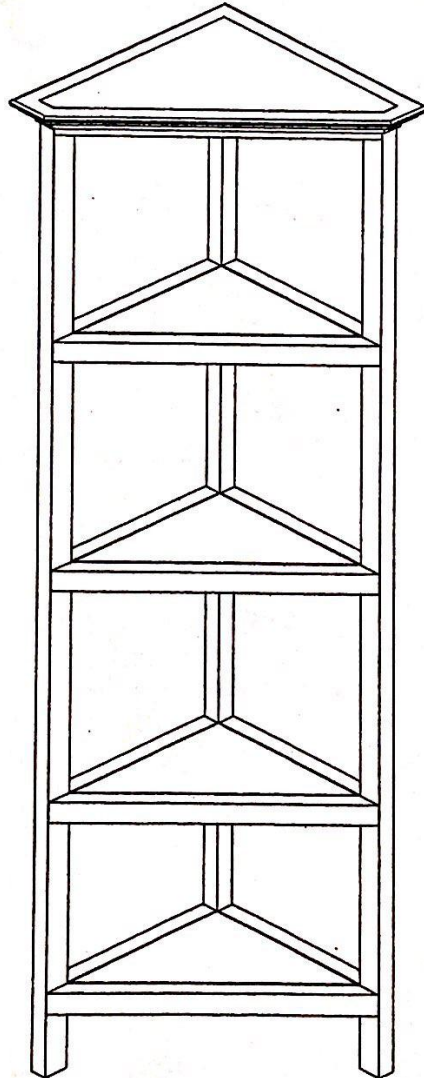
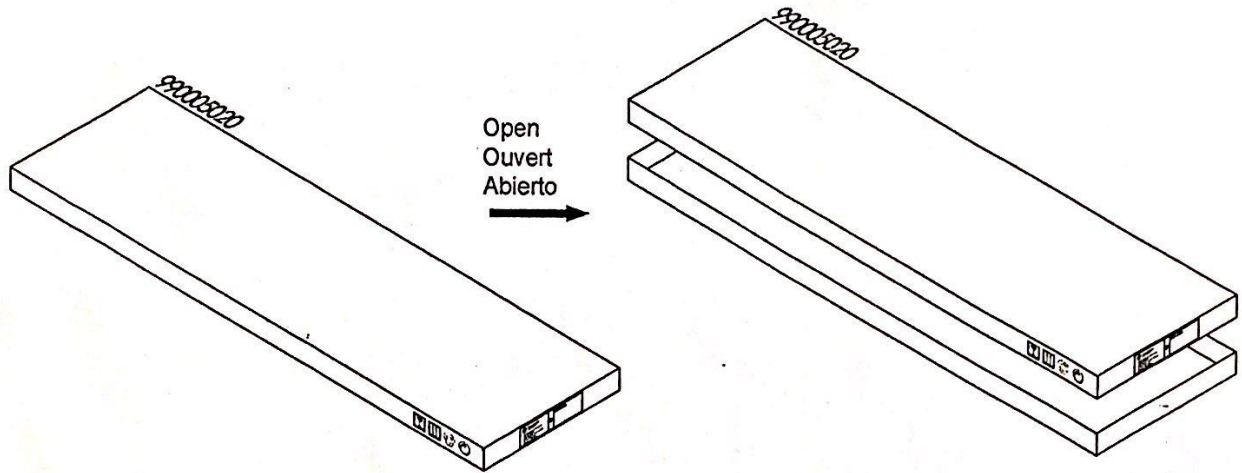


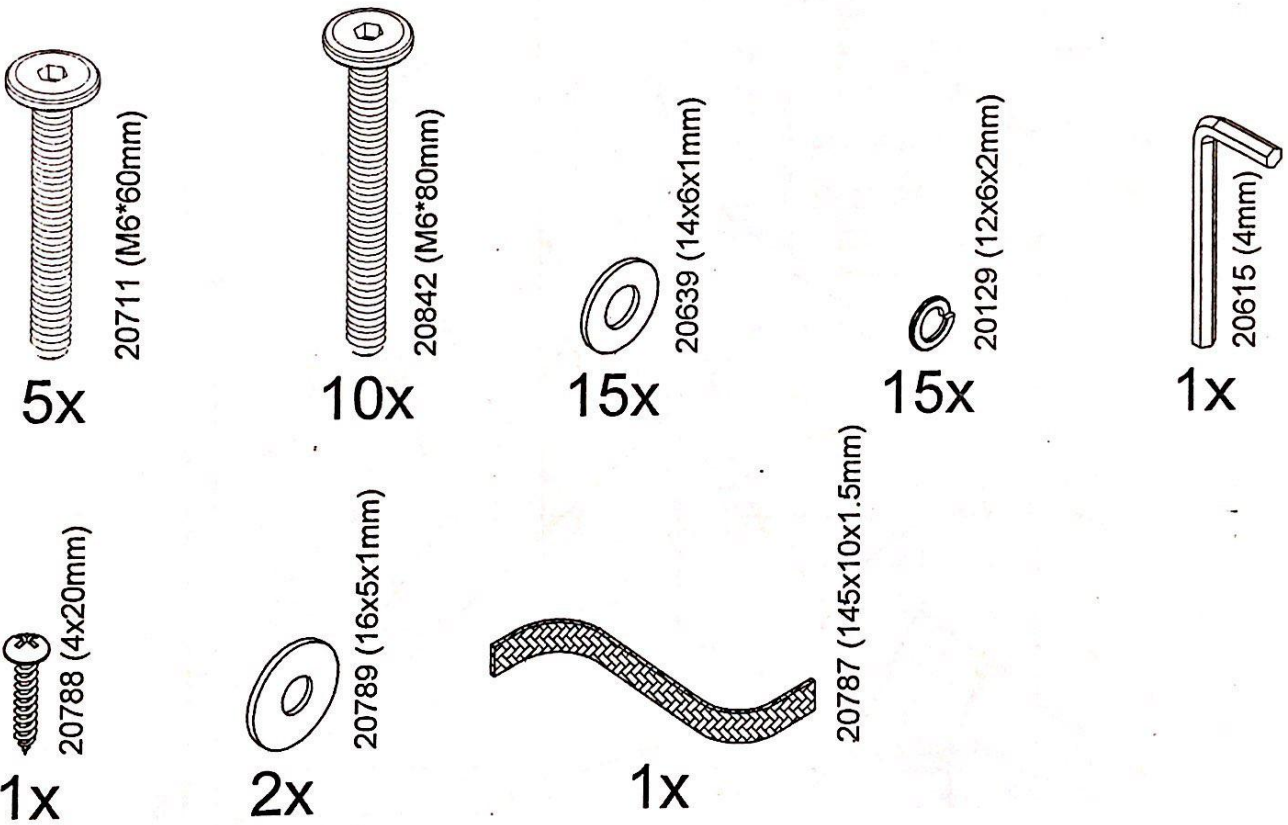
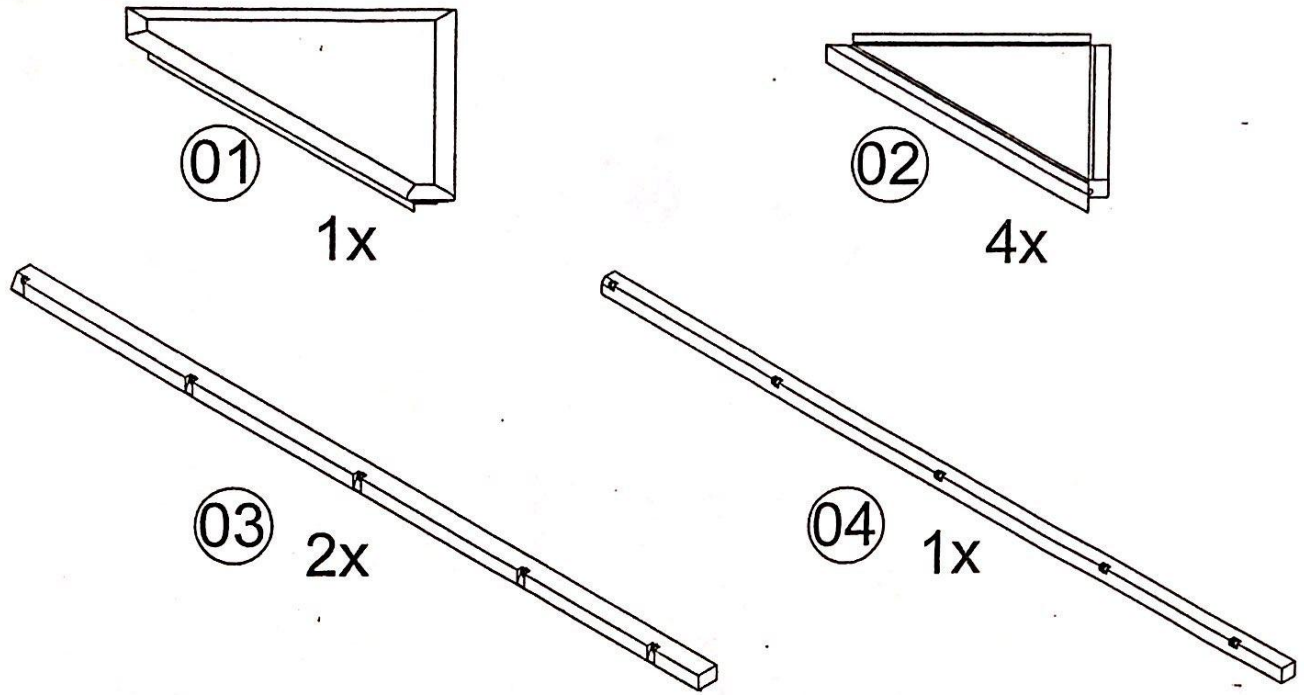
CORNER BOOKCASE



NO CLIMBING

CORNER BOOKCASE

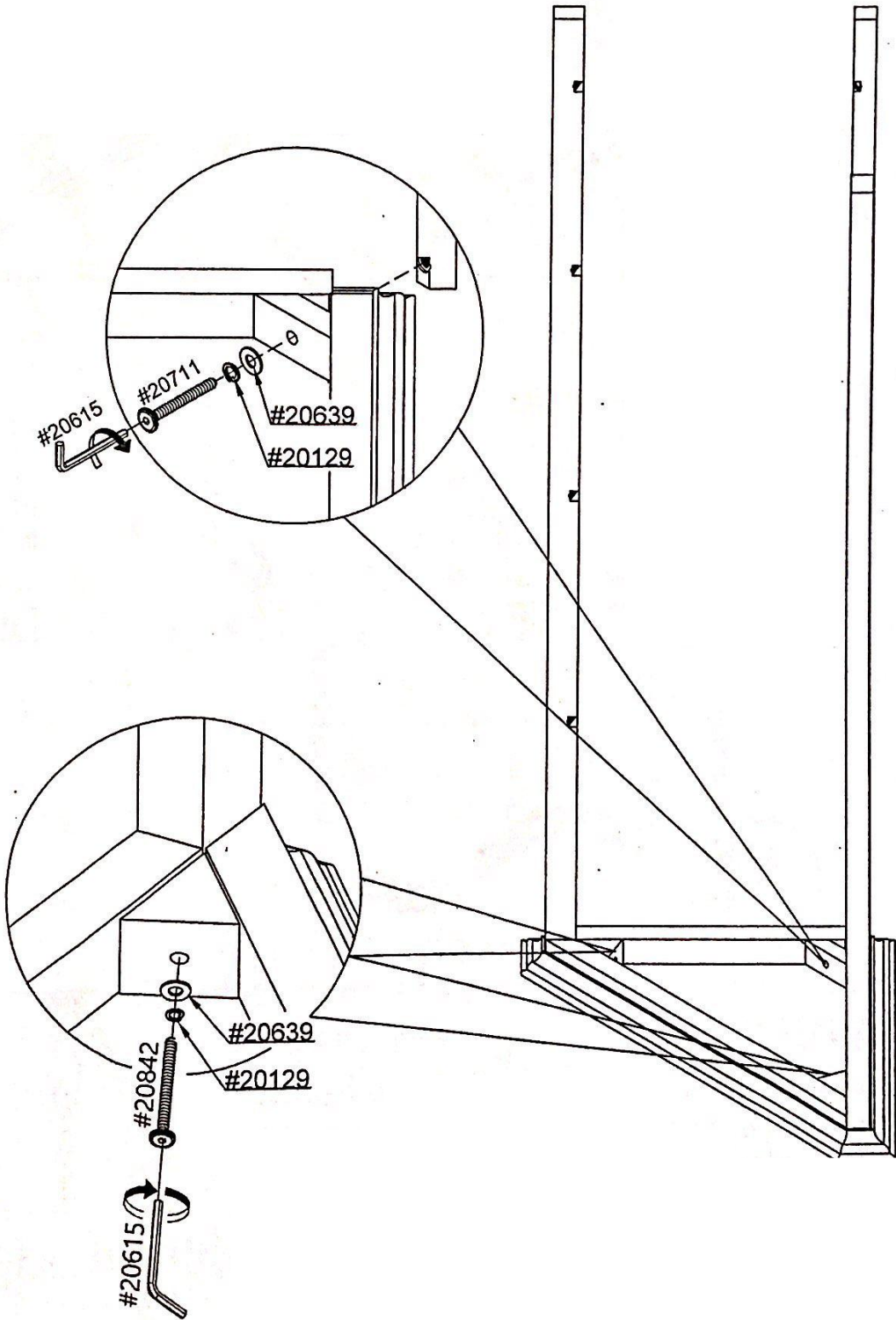
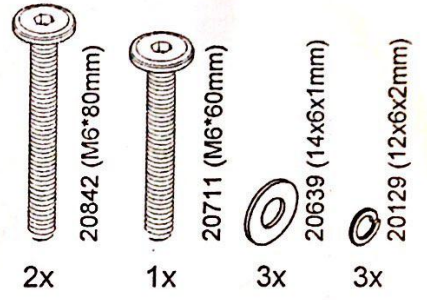
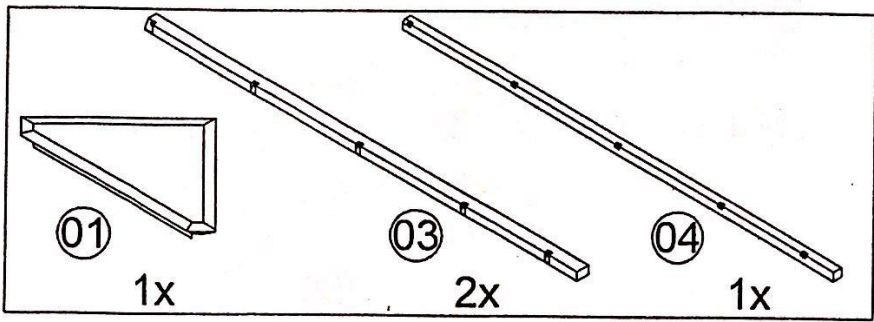


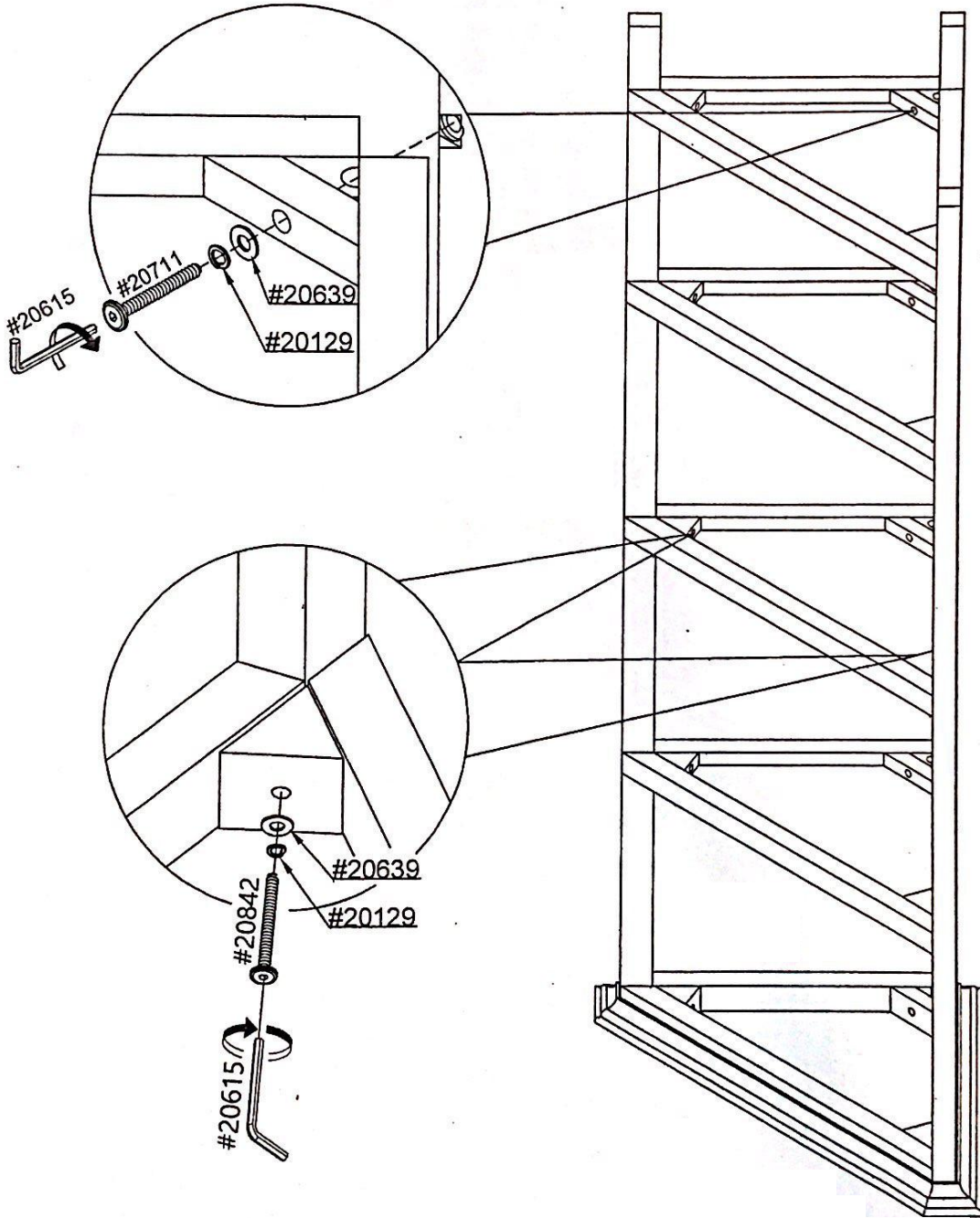
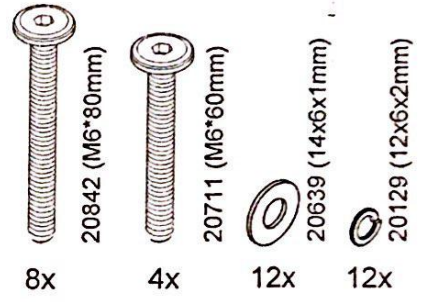
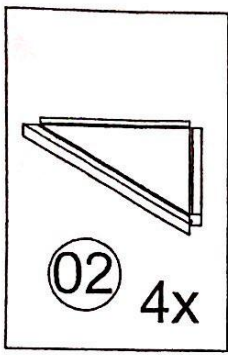


⚠ WARNING:
CHOKING HAZARD--Small Parts
 Not for children under 3 years.
 To be Assembled by an Adult

Not Include
 Non Inclus
 No Incluido







AN OPTIONAL TIPPING RESTRAINT DEVICE IS PROVIDED FOR ADDITIONAL SAFETY

- 1) See above Tipping Restraint Device
- 2) Open Tipping Restraint Device package and remove the screw, washer and strap.
- 3) Secure the strap under the top or middle shelf of the furniture with the provided washer and screw. Then connect the strap to the wall using an appropriate anchor, washer and screw (not included) for your wall.

