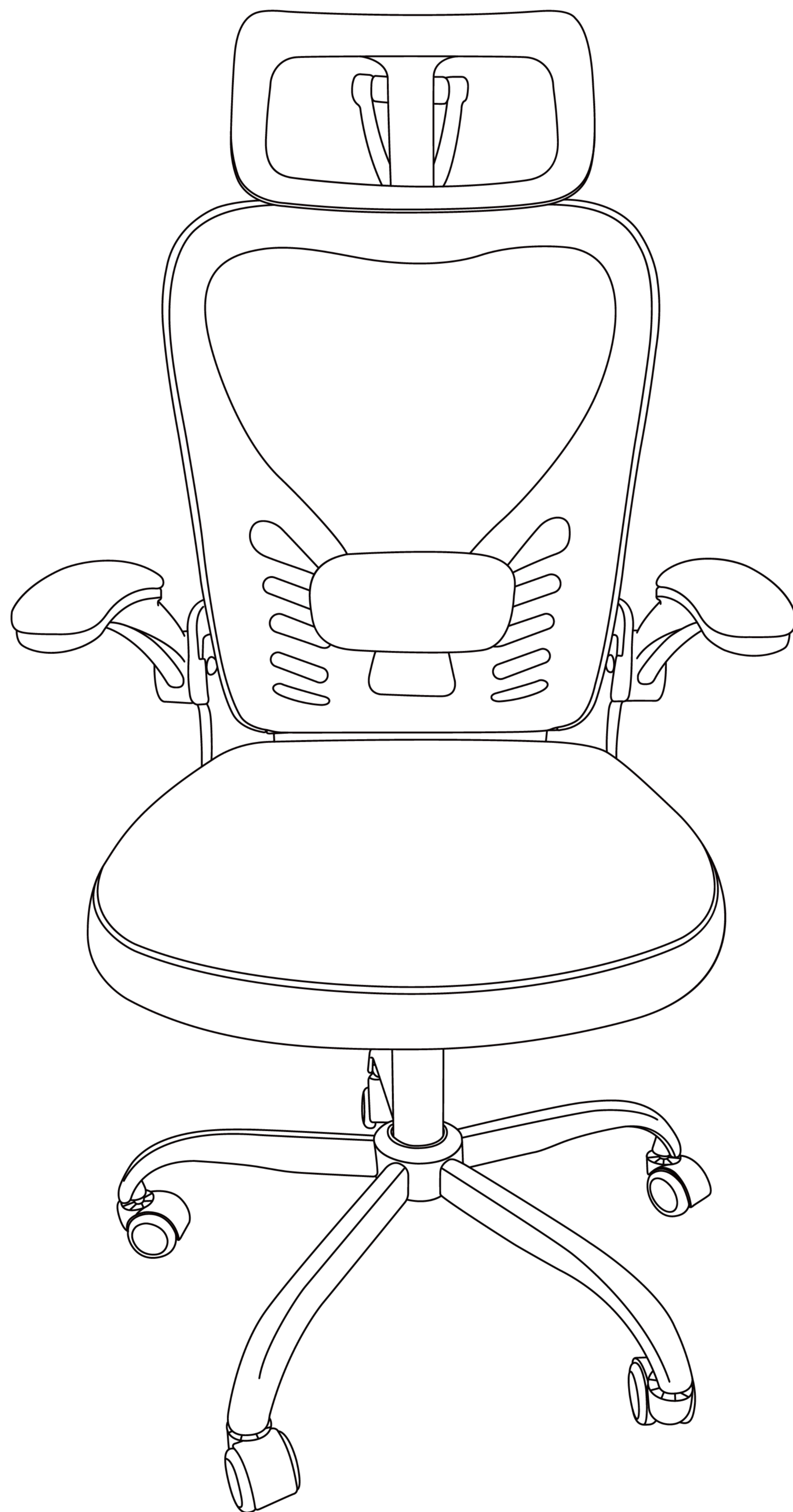


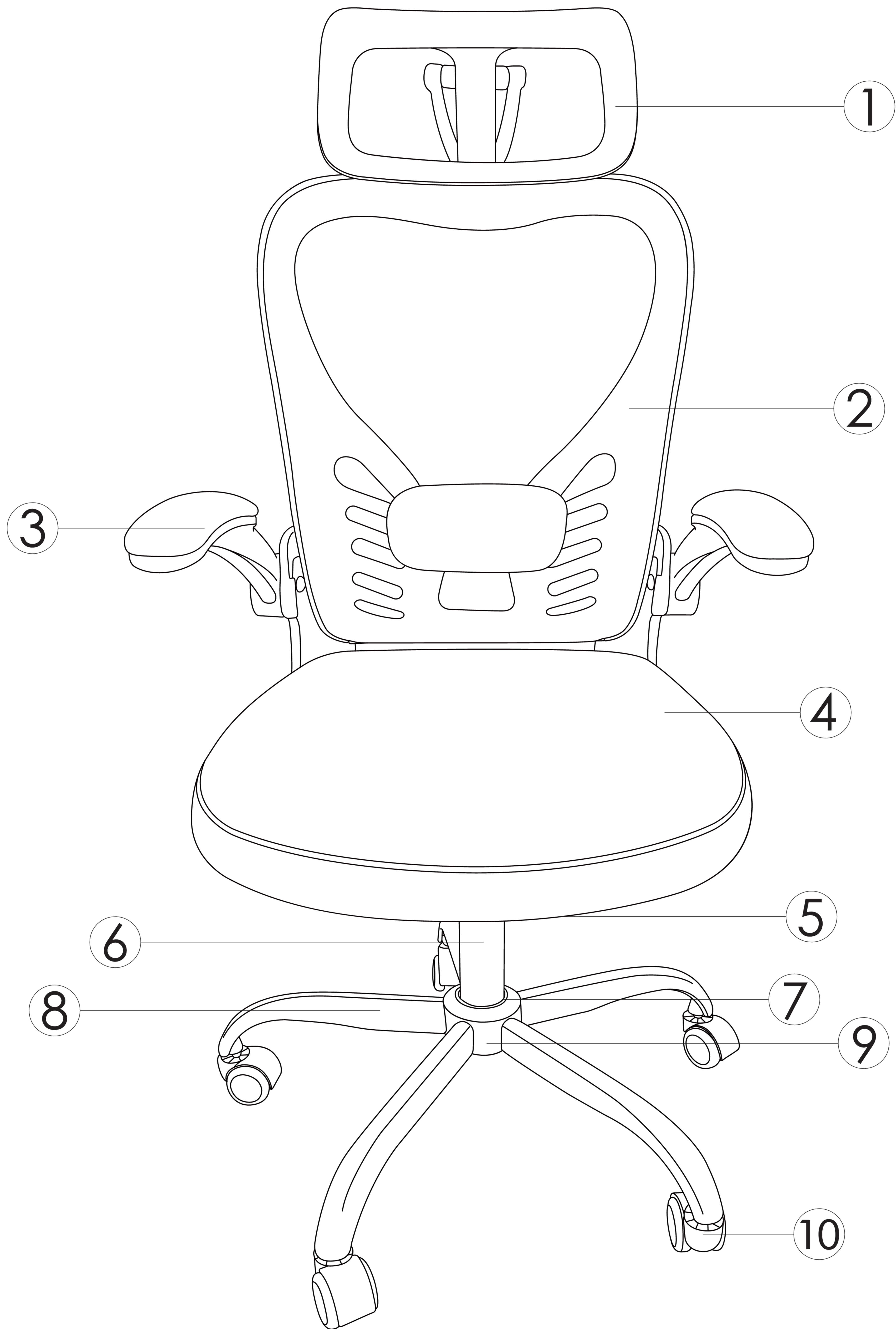
Assembly Manual

Office Chair



Please read this manual carefully before any operation and keep it properly for future use.

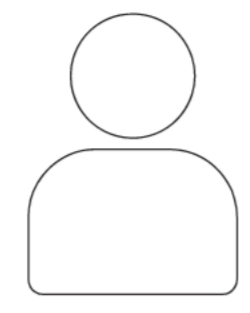
Exploded View



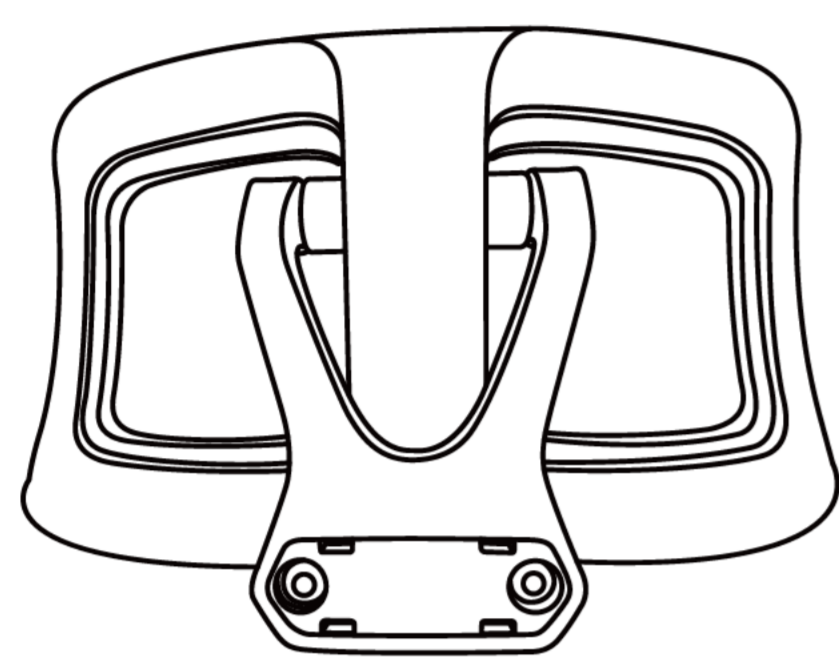
Components List

10 min

Assembly Time

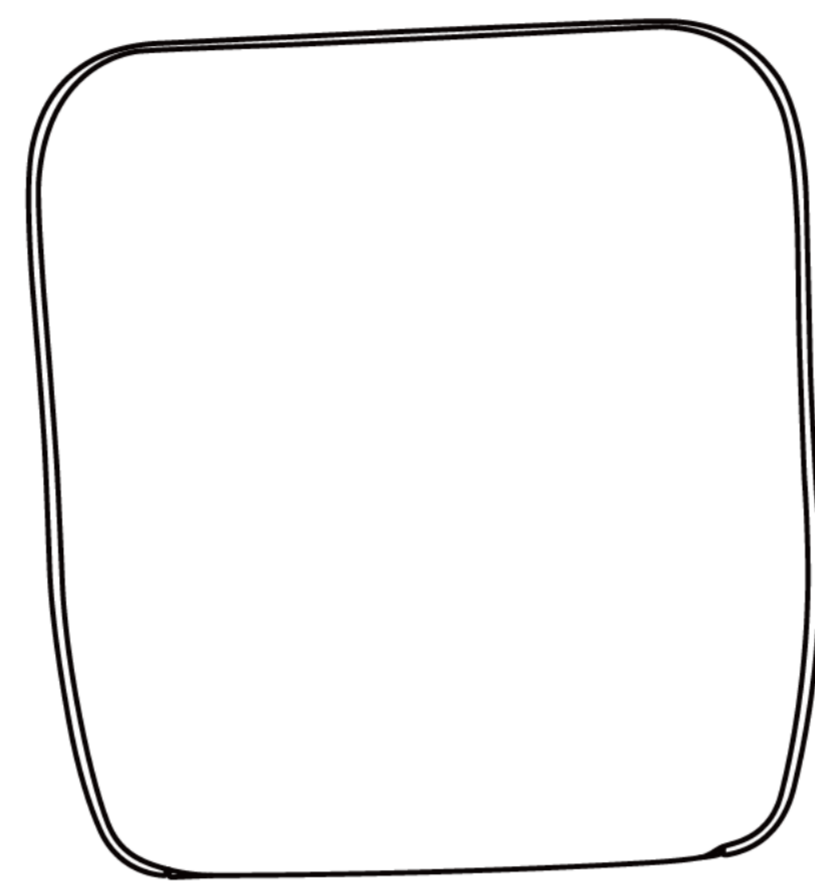


One People



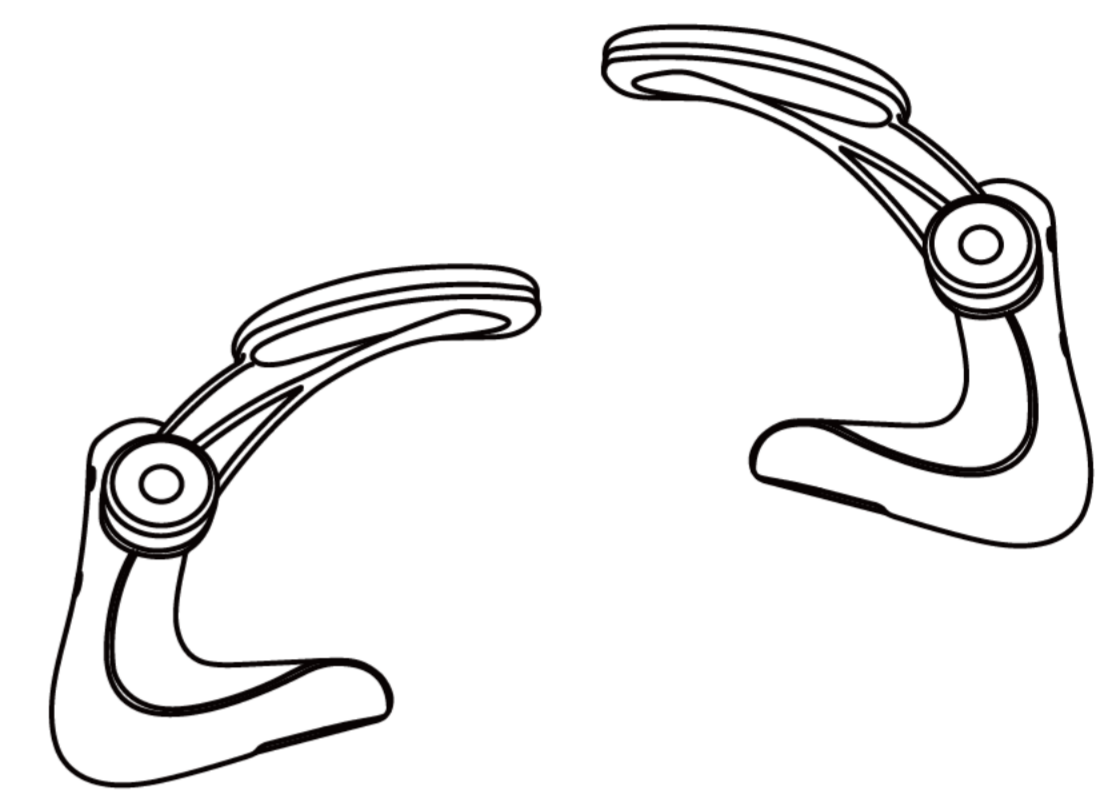
1

Headrest (x1)



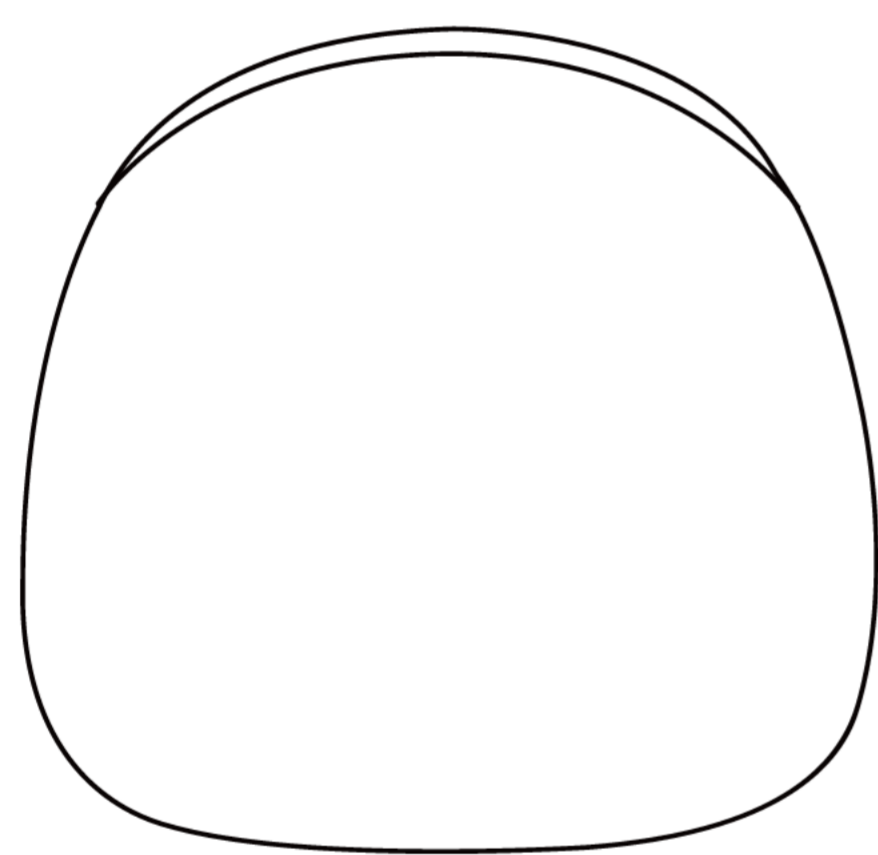
2

Backrest (x1)



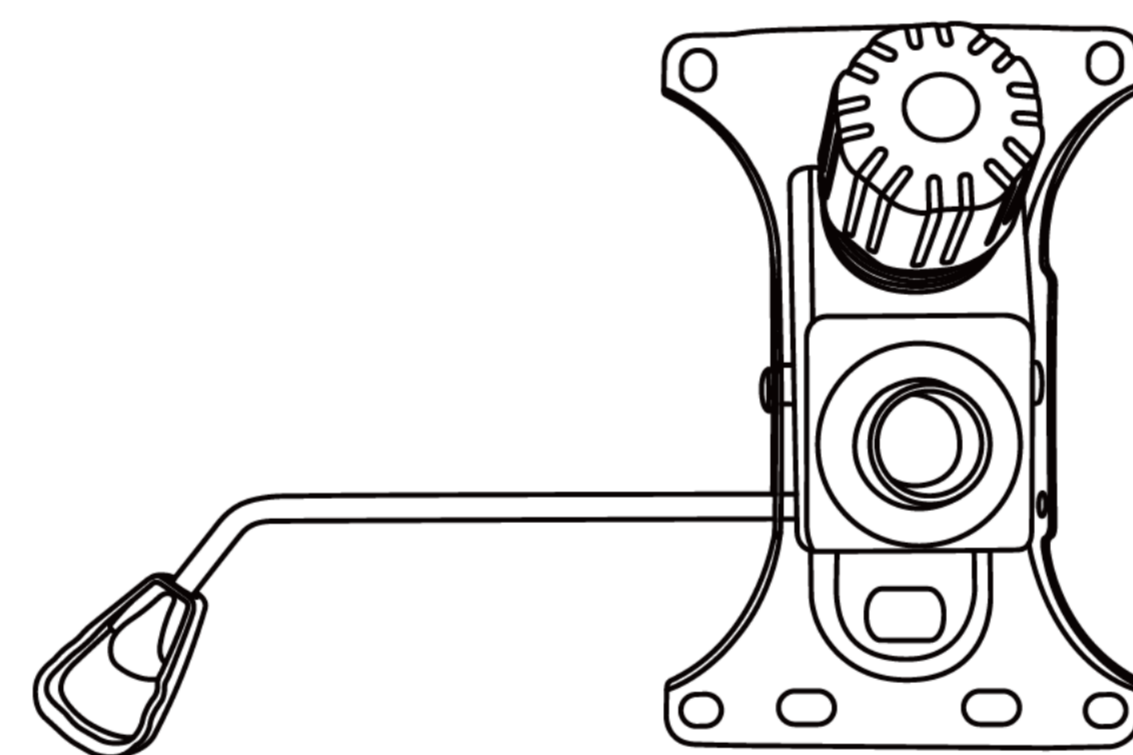
3

Armrest (x2)



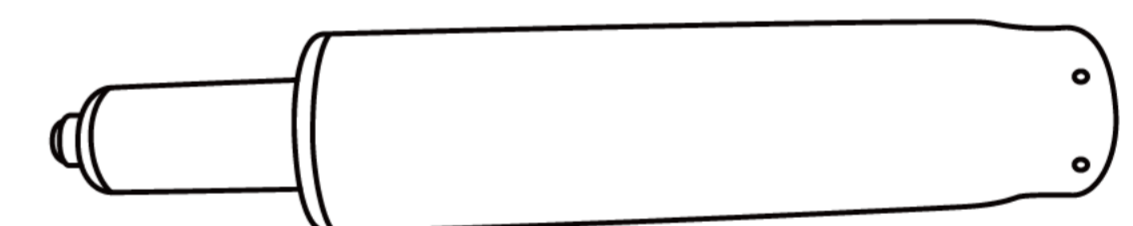
4

Seat (x1)



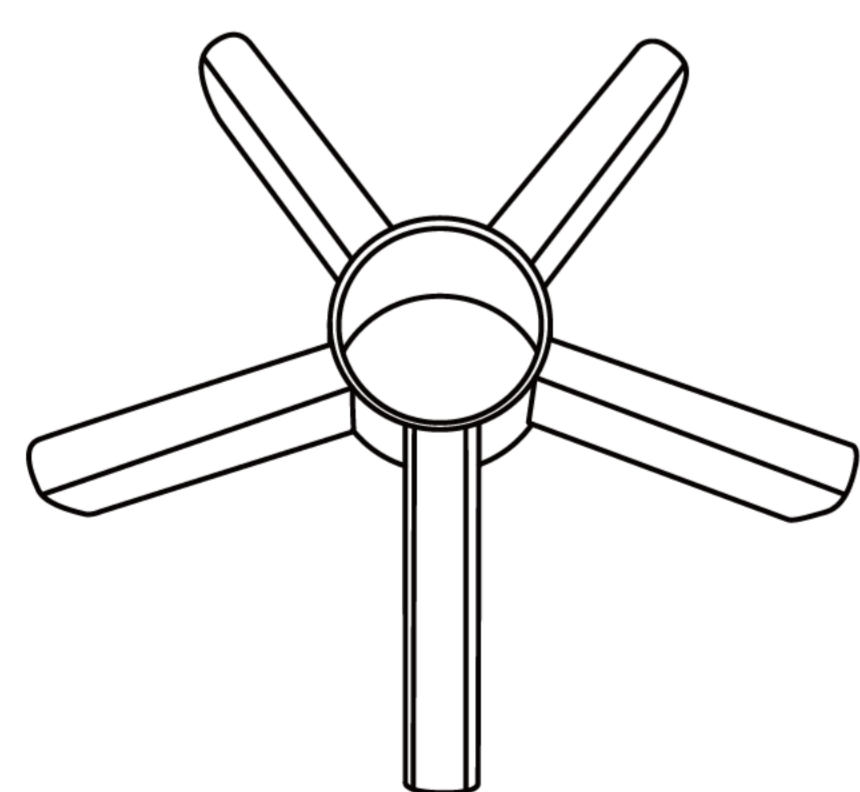
5

Salver (x1)



6

Gaslift (x1)

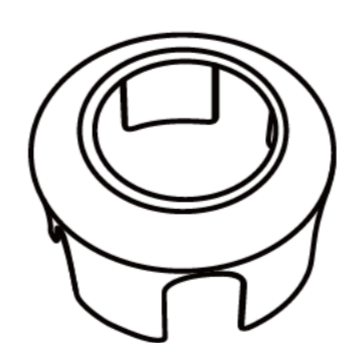


7

Metal frame (x1)



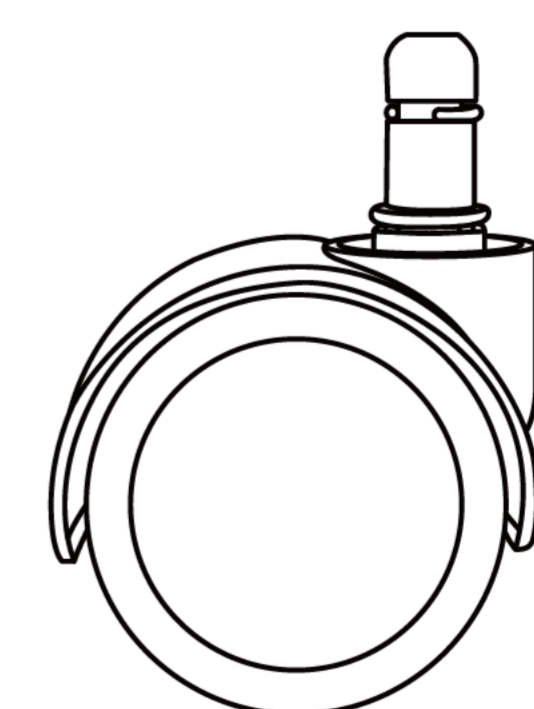
8



9

8 Leg (x5)

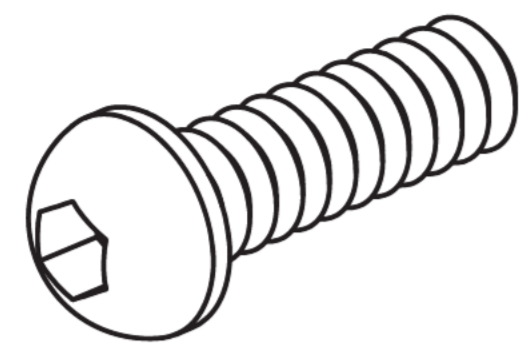
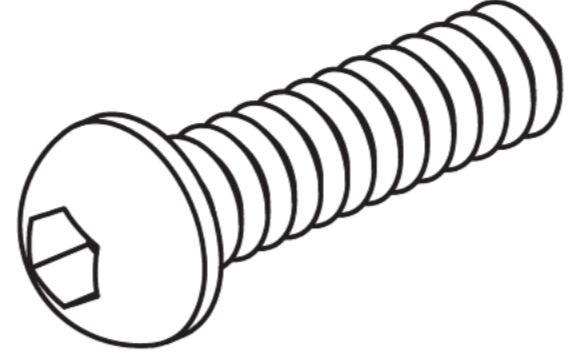
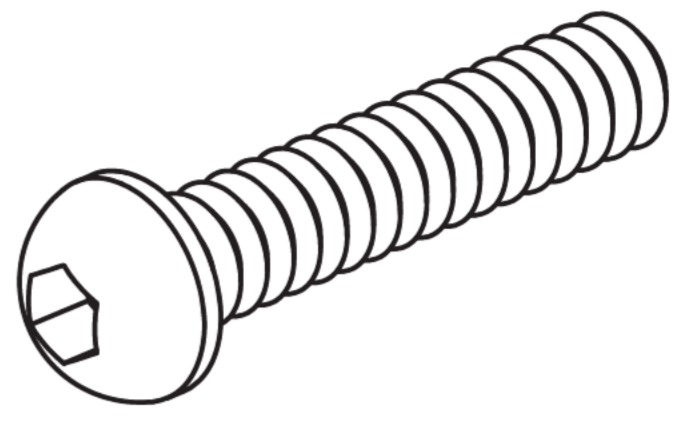
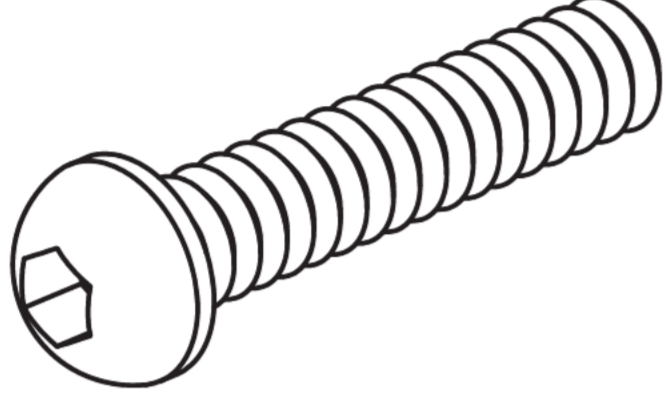
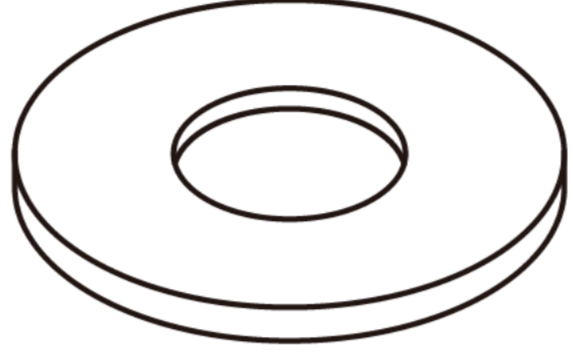
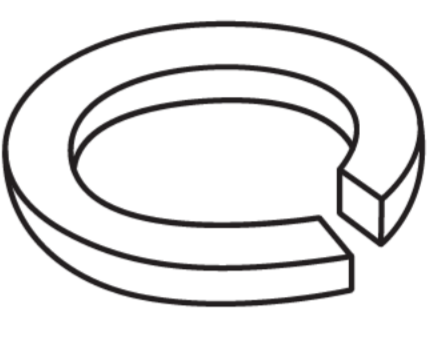
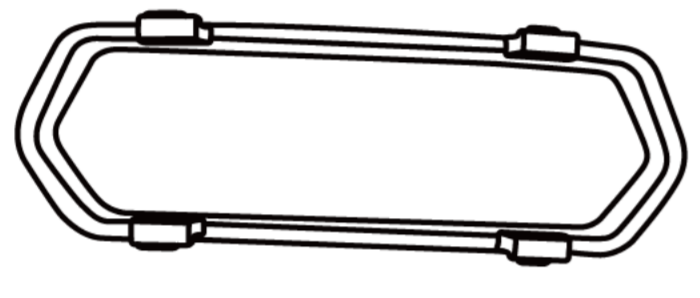

9 Plastic cover (x1)



10

Wheel (x5)

Components list

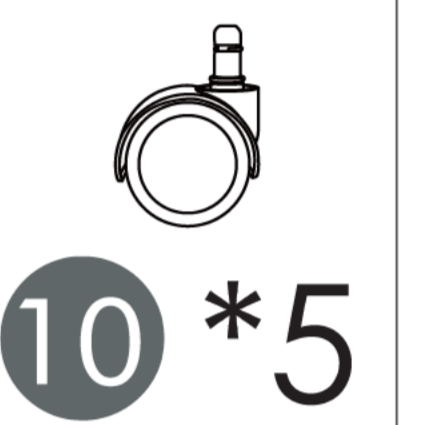
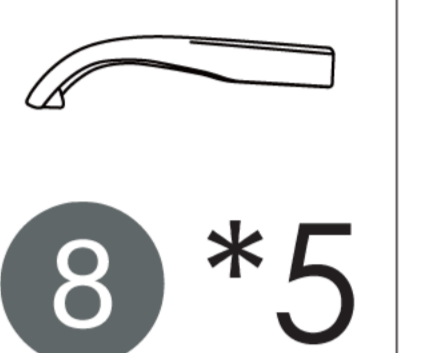
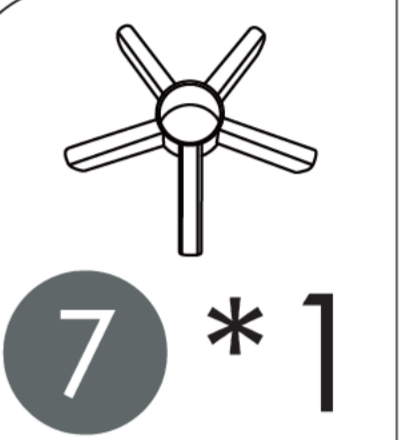
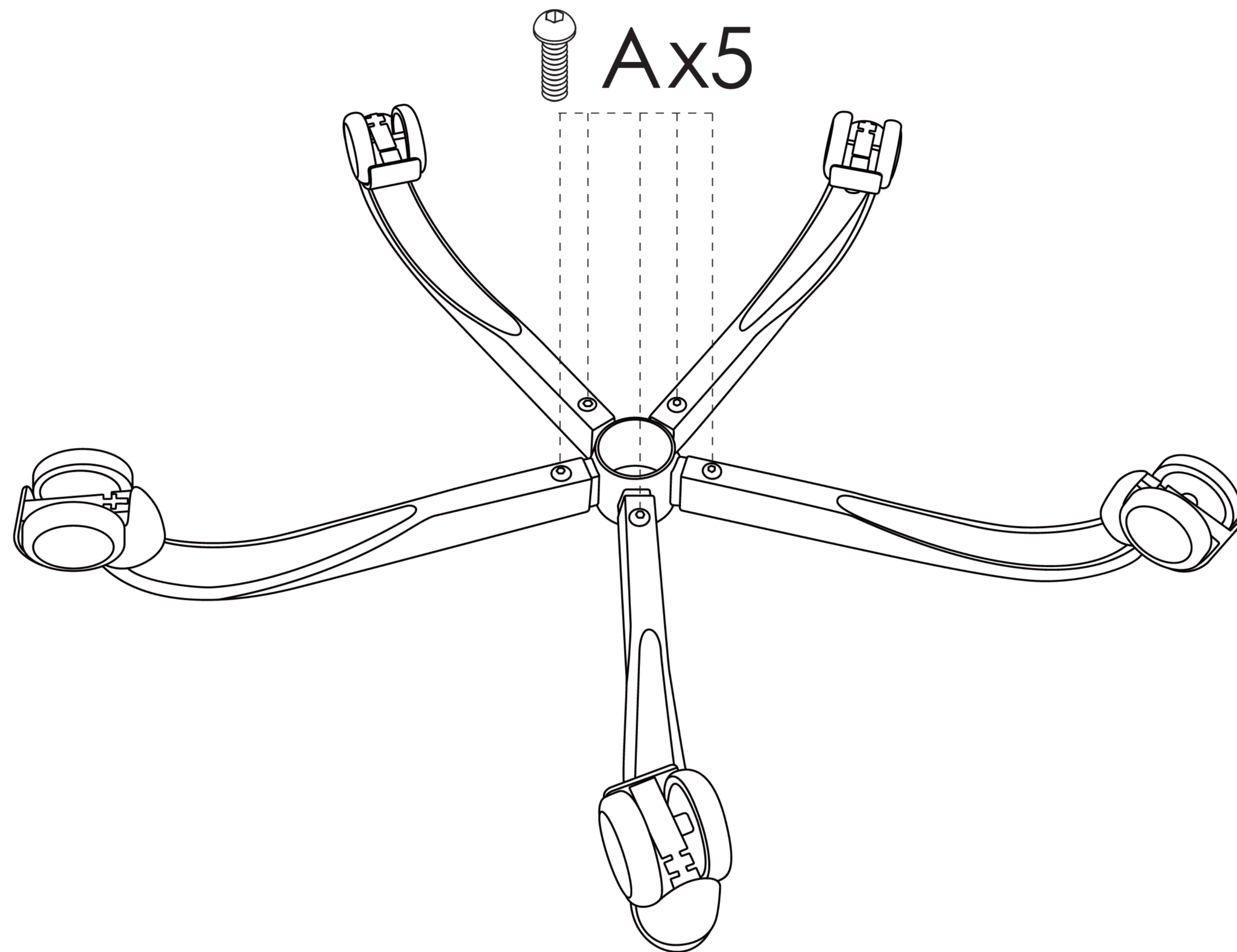
A			B			C		
								
Bolt	M6x16	5+1	Bolt	M6x20	4+1	Bolt	M6x25	2+1
D			E			F		
								
Bolt	M6x30	8+1	Flat washer	6x14	14+1	Lock washer	M6	4+1
G			H					
								
Plastic shell		1	Allen wrench		1			

Note: The number after "+" sign indicates the extra piece(s).

Assembly Instruction

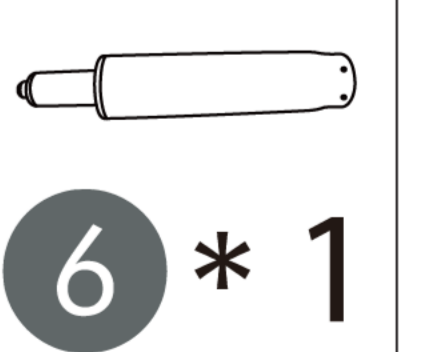
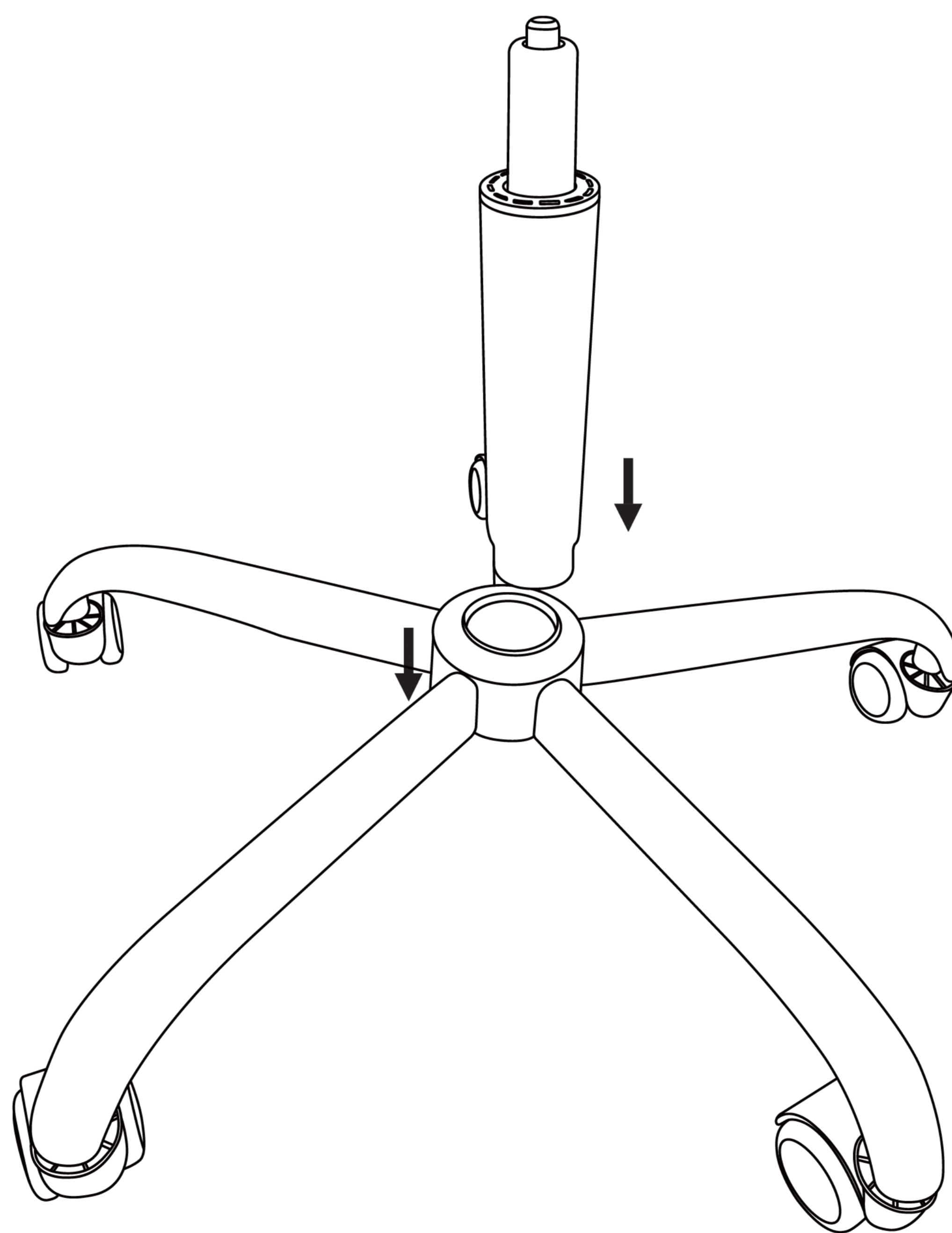
STEP 1

Attach legs(8) to base(7) using bolts(A) and Allen wrench(H).
Press the wheels(10) into holes at the end of each leg.



STEP 2

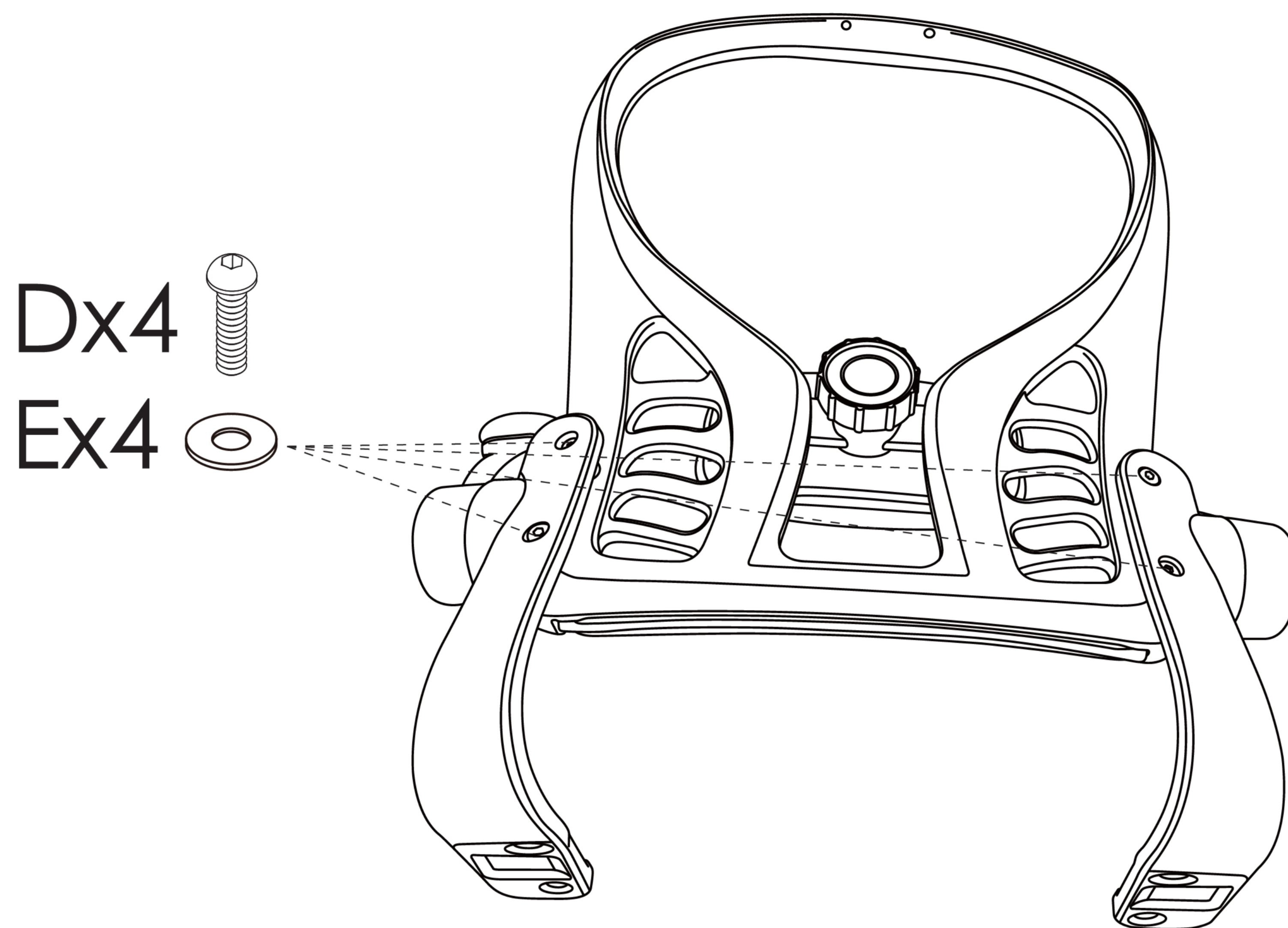
Insert the bottom end of the gaslift(6) into the center hole of the base.
Place the cover over(9) the base as shown below.

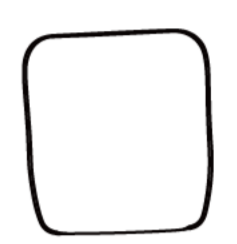



Assembly Instruction

STEP 3

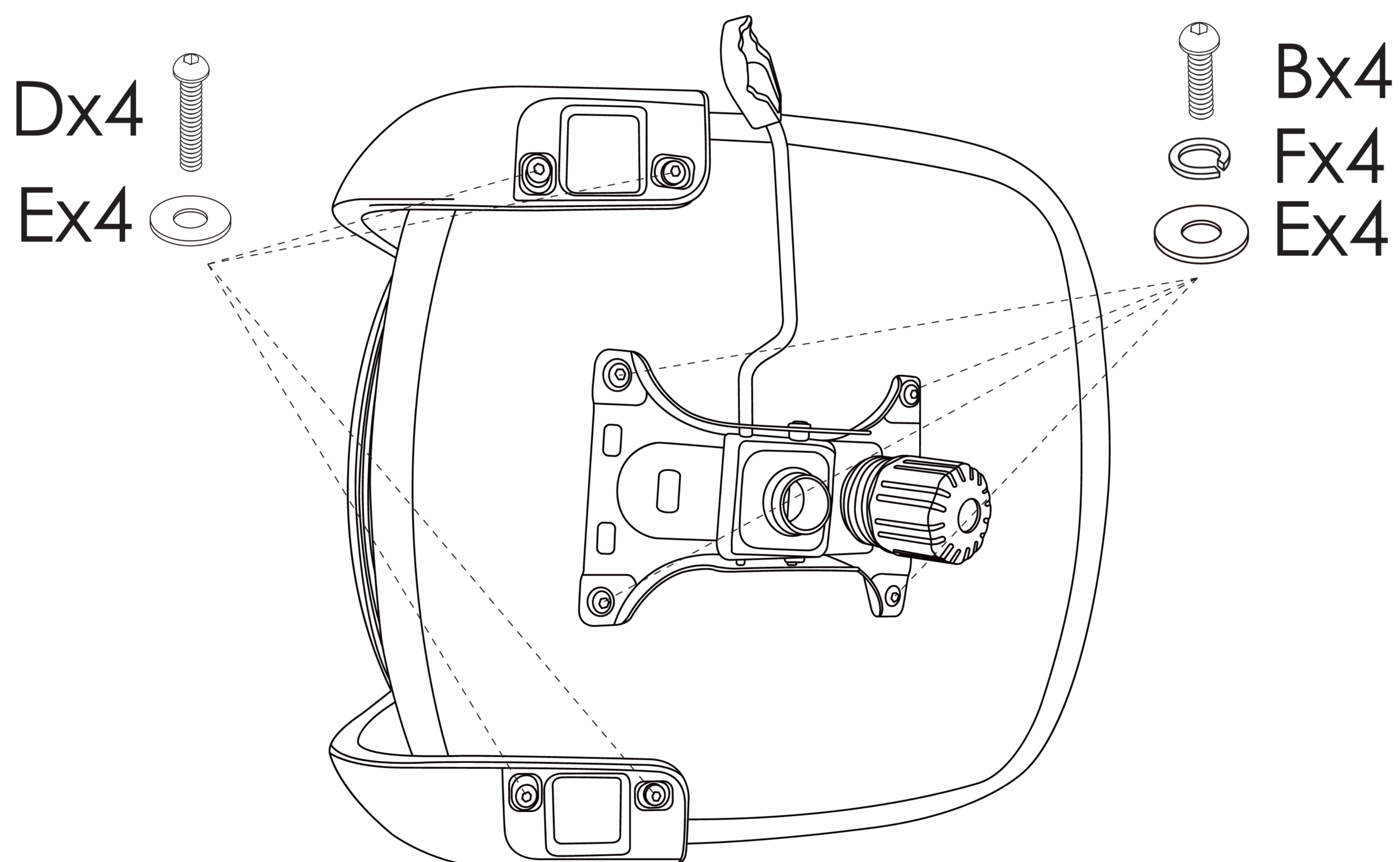
Attach armrest frames(3) to the backrests(2) using bolt(D), flat washers(E) and allen wrench(H). Do not fully tighten the bolts until all of them are in the correct holes. This will allow you to make slight adjustments to the positions during assembly.

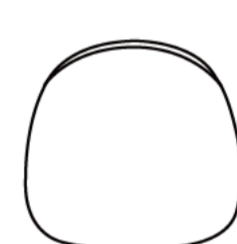
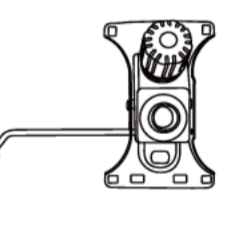
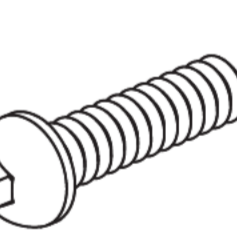
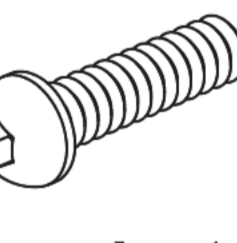




-  2 *1
-  3 *2
-  D*4
-  E*4
-  H*1

STEP 4

Place the seat cushion(4) on the packing carton for easier assembly. Attach armrest frames to the seat cushion using bolt(D), flat washers(E) and allen wrench(H). Then attach mechanism(5) to the seat cushion using bolts(B), lock washers(F), flat washers(E) and Allen wrench(H).

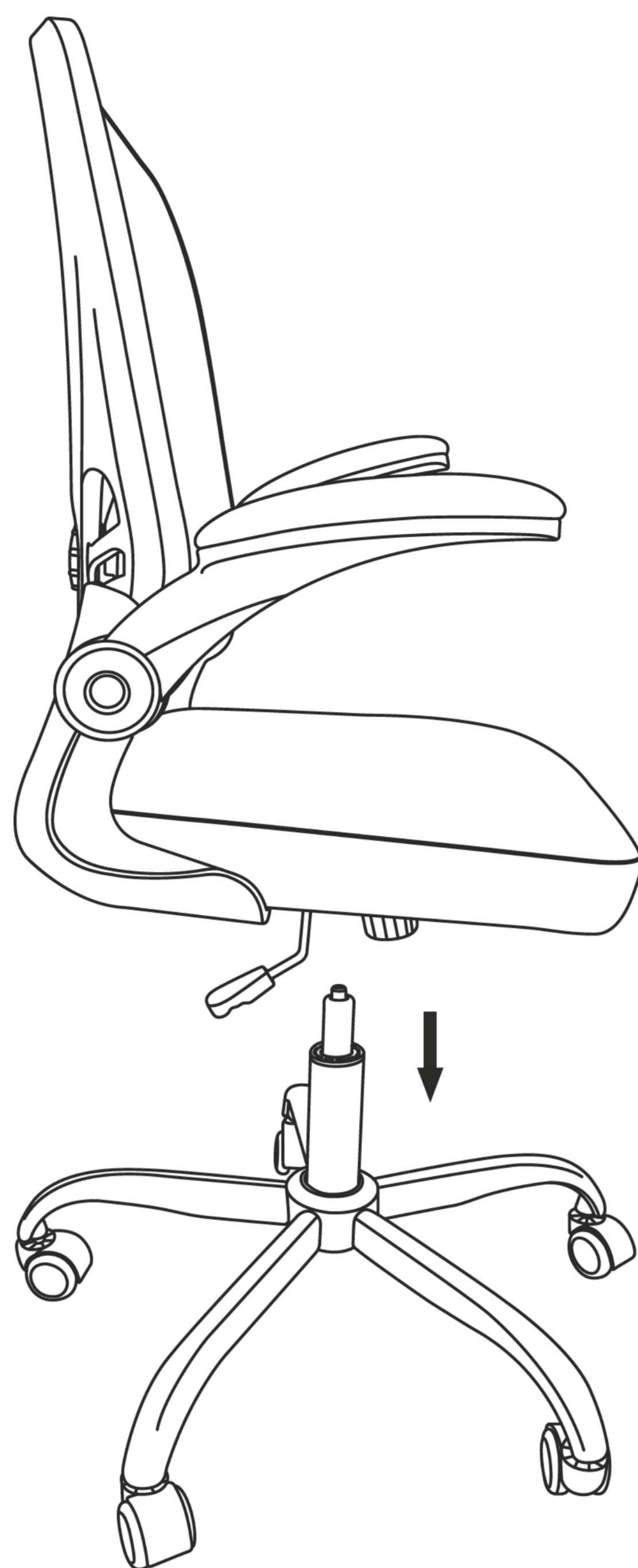


-  4 *1
-  5 *1
-  B*4
-  D*4
-  E*8
-  F*4
-  H*1

Assembly Instruction

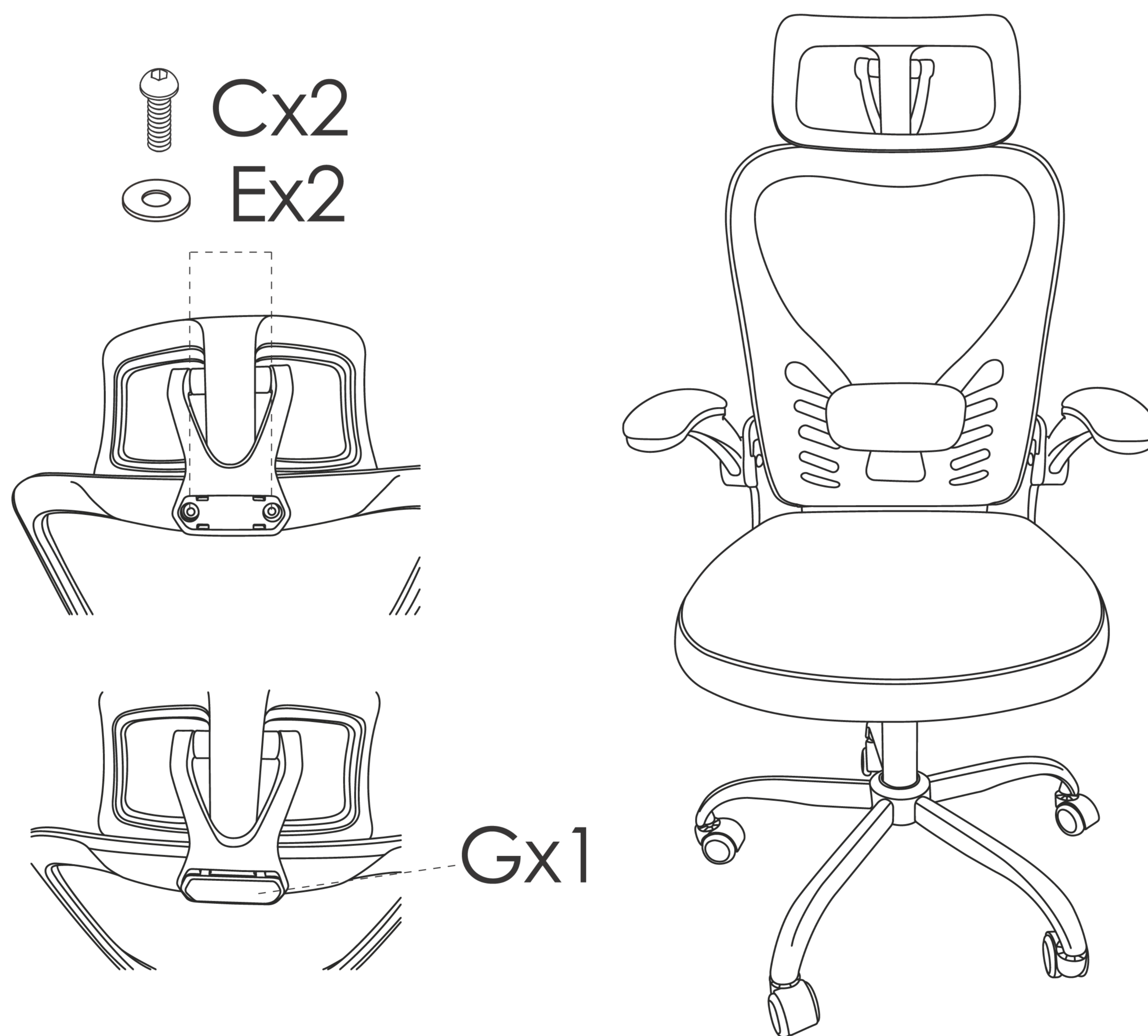
STEP 5

Now turn the assembled seat upright and locate the center hole of the mechanism over the gaslift. Push down firmly until the connection is secure.



STEP 6

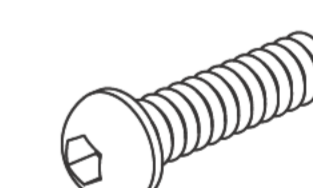
Attach headrest(1) to the backrest using bolt(C), flat washers(E) and allen wrench(H). Then covers the headrest(1) with plastic cover(G). Do not fully tighten the bolts until all of them are in the correct holes.



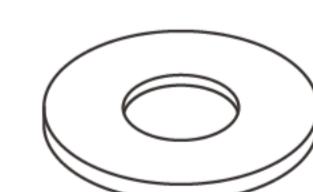
Done!



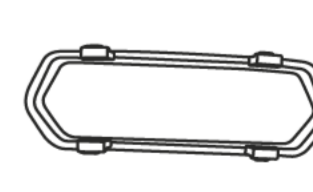
1 *1



C *2



E *2



G *1



H *1