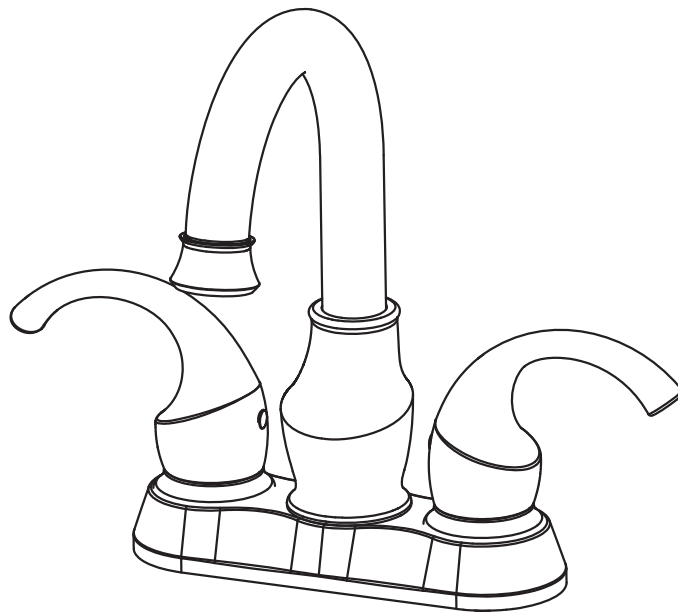


HomLUX

INSTALLATION MANUAL

4 in. Centerset 2-Handle Bathroom Faucet



F6AA0043AD

Business Name: FDC Development LLC

Business Address:

6550 Jimmy Carter Blvd Suite B

Peachtree Corners GA 30071 US

Web: www.homluxproducts.com

Any query please feel free to email our service team:

help@homluxproducts.com

Thanks for choosing HomLux.

Please keep the box and packaging materials until your product is completely installed. If you have any questions, require technical assistance or have any problems with your product:

 ***DO NOT RETURN TO STORE***

***Please contact our Customer Service Team
help@homluxproducts.com***

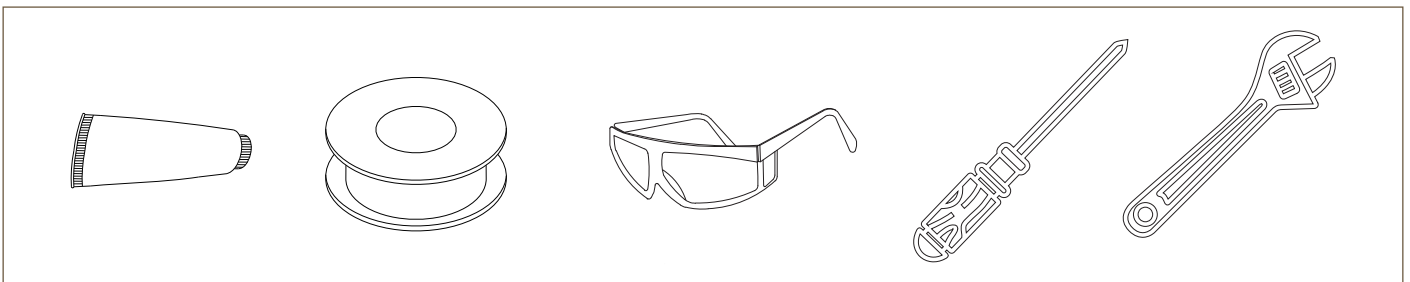
Have the model number available and retain a copy of your receipt with purchase date for reference.

If for any reason this product does not meet your expectations, please be sure to repack this product in the original box and packaging material to avoid damage during transit.

Prior to Installation:

- Make sure you have all necessary parts by checking the diagram and parts list. If any part is missing or damaged, please contact HomLux Customer Service.
- Turn off the hot and cold water supply at the angle stops and turn on the old faucet to release any built up pressure. Remove existing faucet. Clean sink or countertop to remove any debris, plumber's putty, or silicone.
- Flush angle stops to release any debris prior to installation.
- Pre-drilled hole size requirement: 1- 3/8" (min) – 1-1/2(max)
- Max countertop thickness: 1- 3/8"

• You may need



• Cleaning and Care

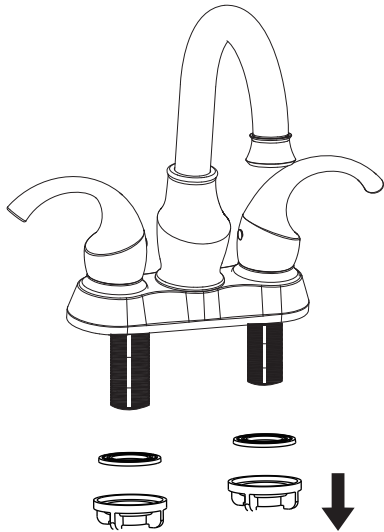
Care should be given to the cleaning of this product. Although its finish is extremely durable, it can be damaged by harsh abrasives or polish. To clean, simply wipe gently with a damp cloth and blot dry with a soft towel.

• Read all instructions prior to installation

CAUTION

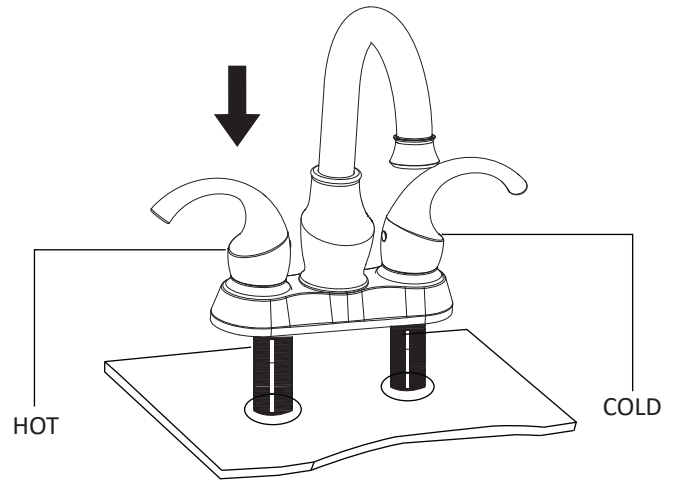
Failure to read these instructions prior to installation may result in personal injury, property damage, or product failure. Manufacturer assumes no responsibility for product failure due to improper installation.

Installation Guide



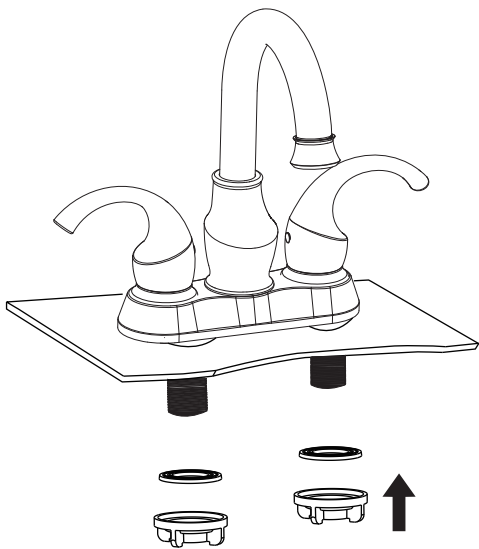
STEP 1: REMOVE MOUNTING HARDWARE

Remove lock nuts(25) and rubber washers(24) from the shank of hybrid body.



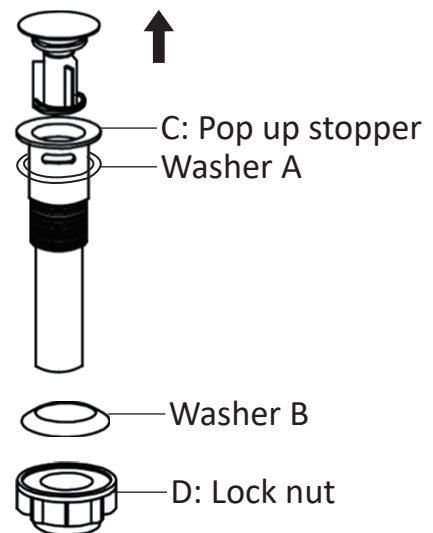
STEP 2: INSTALL FAUCET BODY

Insert the faucet body and base plate into hole in countertop.
Pre-drilled hole size: 1-3/8" (min) – 1-1/2" (max)
Max countertop thickness: 1-3/8"



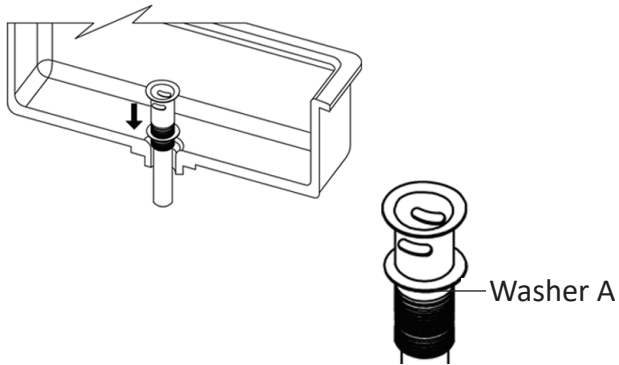
STEP 3: SECURE MOUNTING HARDWARE

Install the rubber washers(24) and screw lock nuts(25) onto threaded shanks of hybrid body and hand tighten underneath countertop. No wrench needed.



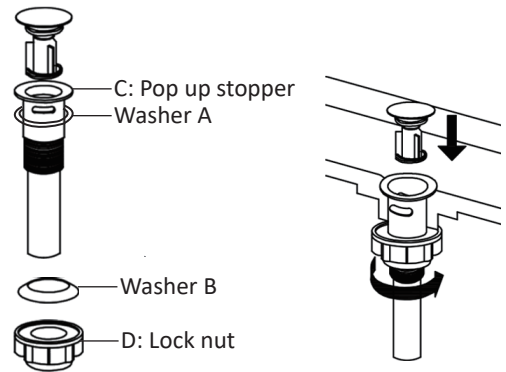
STEP 4: DISASSEMBLE THE DRAIN KIT

Remove the pop up stopper(C), washer B and lock nut(D) from the drain body.



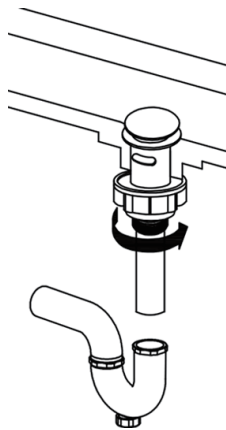
STEP 5: INSERT THE DRAIN BODY

Insert the drain body and washer A into the drain hole.



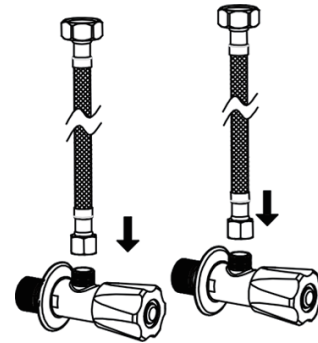
STEP 6: INSTALL THE DRAIN KIT

Install the tapered washer B and lock nut(D) from underneath the sink. Tighten the nut on the drain body. Insert the stopper(C) into the drain hole in the sink. Press down firmly to test operation.



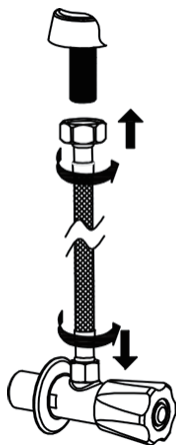
STEP 7: CONNECT THE TRAP

Connect the drain body to the trap.



STEP 8: CONNECT WATERLINES

Connect waterlines to the hot and cold copper lines. Connect waterlines to angle stops. Apply pipe tape to avoid leakage. Tighten both ends of waterlines with a wrench until snug. Turn on hot and cold angle stops and check for leaks.



STEP 9: CHECK FOR LEAKS

Check for leaks at the connections. Retighten if necessary.

CARE & MAINTENANCE:

*To keep the product clean & shining, follow the steps below:

1. Rinse with clean water & dry with a soft cloth
2. Do not clean with soaps, acid polish, abrasives, or harsh cleaners
3. Do not use cloth with a coarse surface
4. Unscrew the aerator and clean when necessary

