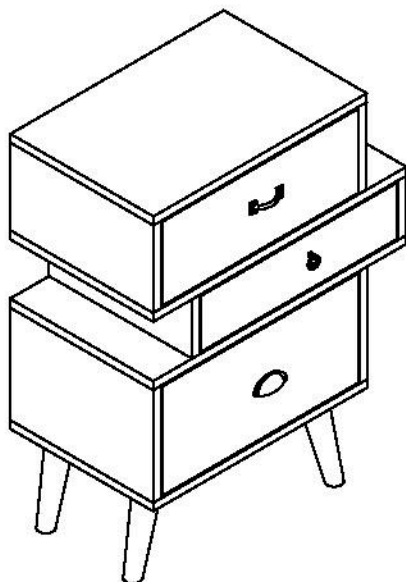


# ASSEMBLY INSTRUCTIONS



**FOR DOMESTIC USE ONLY**

**IMPORTANT**

**PLEASE READ BEFORE YOU CONTINUE FURTHER**

THE PRODUCT YOU HAVE PURCHASED WILL GIVE YOU MANY YEARS OF SERVICE IF YOU FOLLOW THE GUIDELINES FOR ITS SAFE ASSEMBLY AND PERIODIC MAINTENANCE AND CLEANING.

ASSEMBLE ON A SOFT CLEAN SURFACE.

DO NOT USE ANY TOOLS OTHER THAN THOSE SHOWN.

ANY SPANNERS OR ALLEN KEYS REQUIRED ARE INCLUDED WITH THE FITTING KIT.

DO NOT FOR ANY REASON USE A POWER TOOL TO ASSEMBLE THIS PRODUCT. ITS USE WILL INVALIDATE ANY CLAIM YOU MAY HAVE AND COULD MAKE THIS PRODUCT UNSAFE.

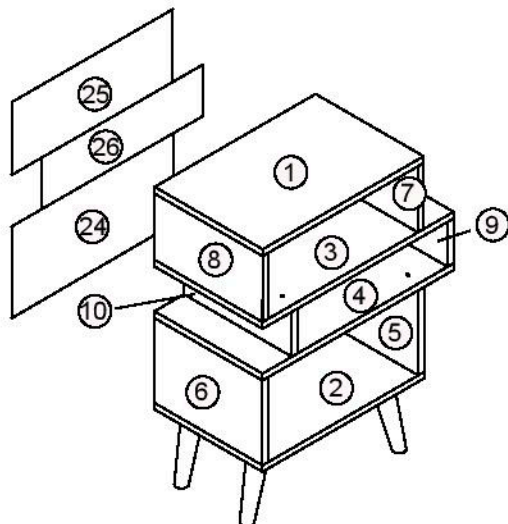
DEPENDING ON THE AMOUNT OF USE THIS PRODUCT RECEIVES, IT MAY BE NECESSARY TO TIGHTEN UP THE FIXINGS FROM TIME TO TIME. THIS IS COMPLETELY NORMAL FOR ANY FLAT PACK FURNITURE. DO NOT OVERTIGHTEN FIXINGS.

FOR CLEANING, YOU MAY USE A DAMP CLOTH (NOT WET). DO NOT USE POLISH, DETERGENT OR CHEMICAL CLEANERS.

THIS SURFACE OF THIS ITEM IS NOT HEAT RESISTANT. ALWAYS USE A PLACE MAT UNDER HOT OR COLD ITEMS TO PREVENT MARKING.

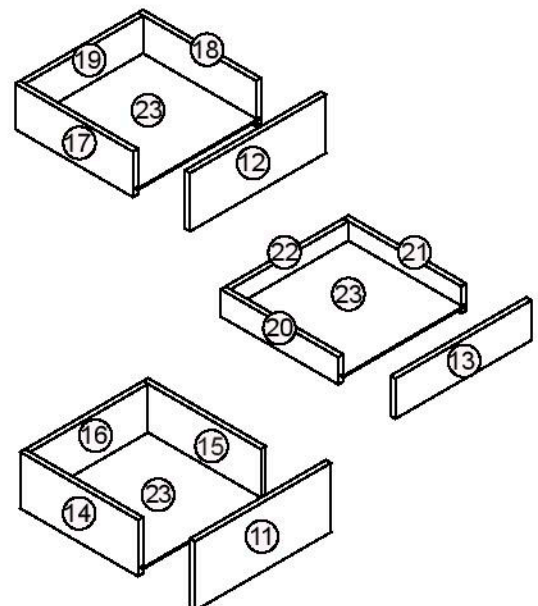
## PART LIST

Carton 01 of 01		
No.	Part Name	Qty
1	Top Panel	x1
2	Bottom Panel	x1
3	Shelf Panel	x1
4	Shelf Panel	x1
5	Right Bottom Side Panel	x1
6	Left Bottom Side Panel	x1
7	Right Top Side Panel	x1
8	Left Top Side Panel	x1
9	Right Centre Side Panel	x1
10	Left Centre Side Panel	x1
11	Bottom Drawer Front	x1
12	Top Drawer Front	x1
13	Centre Drawer Front	x1
14	Left Bottom Drawer Side	x1
15	Right Bottom Drawer Side	x1
16	Bottom Drawer Back	x1
17	Left Top Drawer Side	x1
18	Right Top Drawer Side	x1
19	Top Drawer Back	x1
20	Left Centre Drawer Side	x1
21	Right Centre Drawer Side	x1
22	Centre Drawer Back	x1
23	Drawer Base	x3
24	Bottom Back Panel	x1
25	Top Back Panel	x1
26	Centre Back Panel	x1

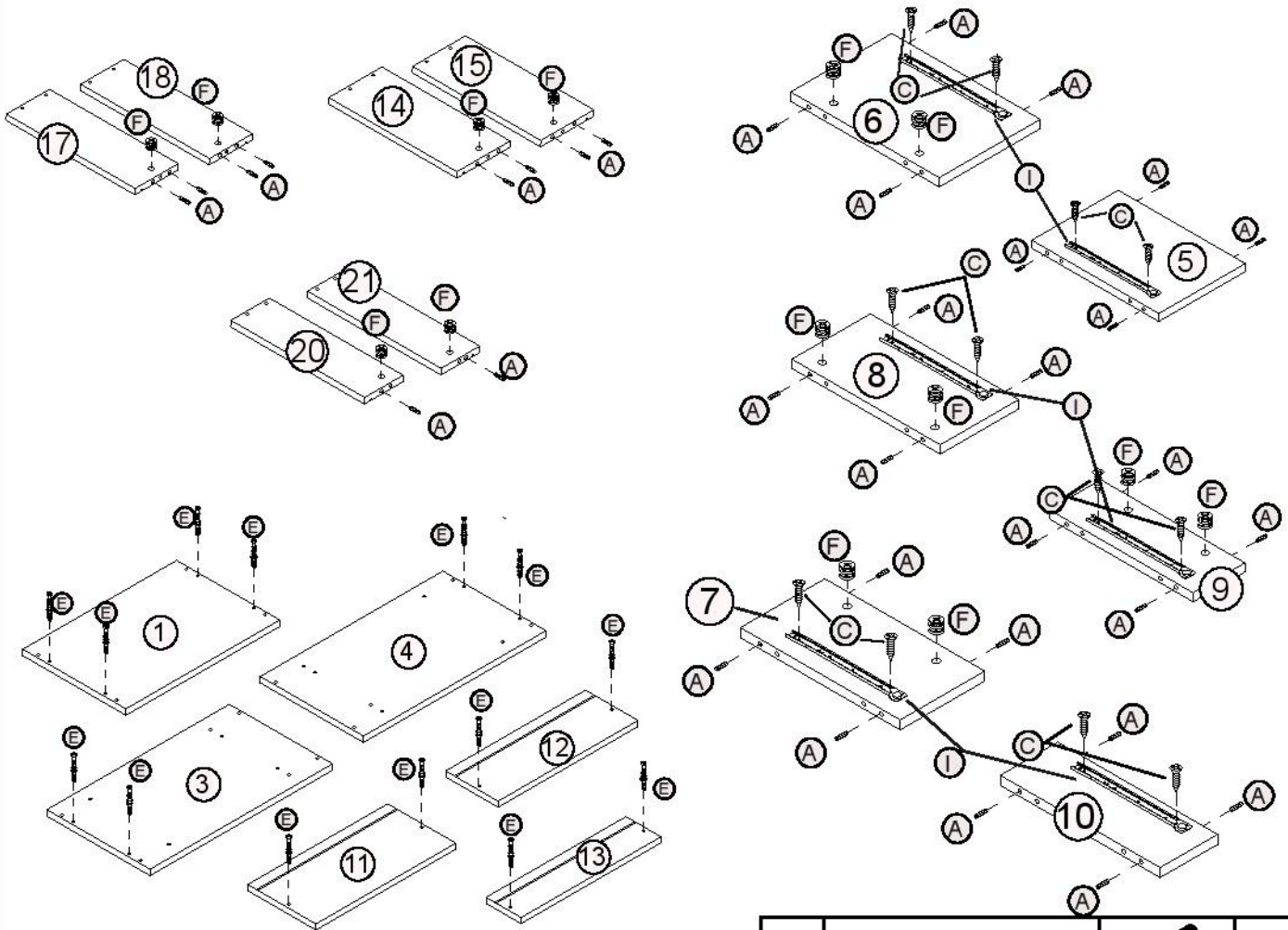


## HARDWARE LIST

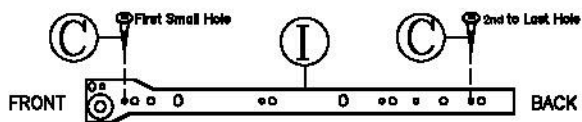
Carton 01 of 01			
No.	Part Name		Qty
A	Wooden Dowel <small>(6x25mm)</small>		x 34
B	45mm Screw <small>(4x45mm)</small>		x 16
C	16mm Screw <small>(3.5x16mm)</small>		x 40
D	38mm Screw <small>(4x38mm)</small>		x 12
E	Cam Bolt <small>(8032T)</small>		x 14
F	Cam Nut <small>(1510)</small>		x 14
G	Wood Leg + Plastic Foot		x 4
H	Nail		x 35
I	10" Drawer Slide		x 3set
J	Handle+Screw <small>1pc(M4x20mm)</small>		x 1
K	Handle+Screw <small>4pc(M3x16mm)</small>		x 1
L	Handle+Screw <small>2pc(M3x16mm)</small>		x 1



# STEP 1

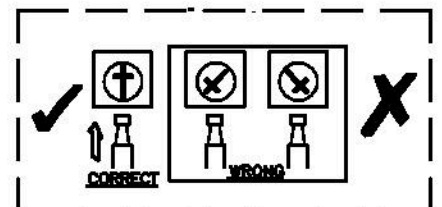
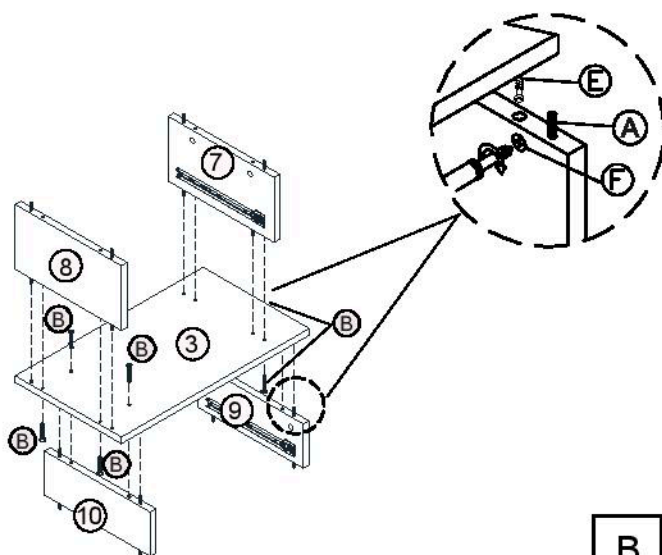
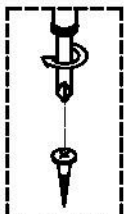


To Assemble the Drawer Slide, Please Follow Step as Below



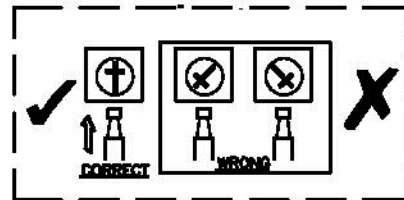
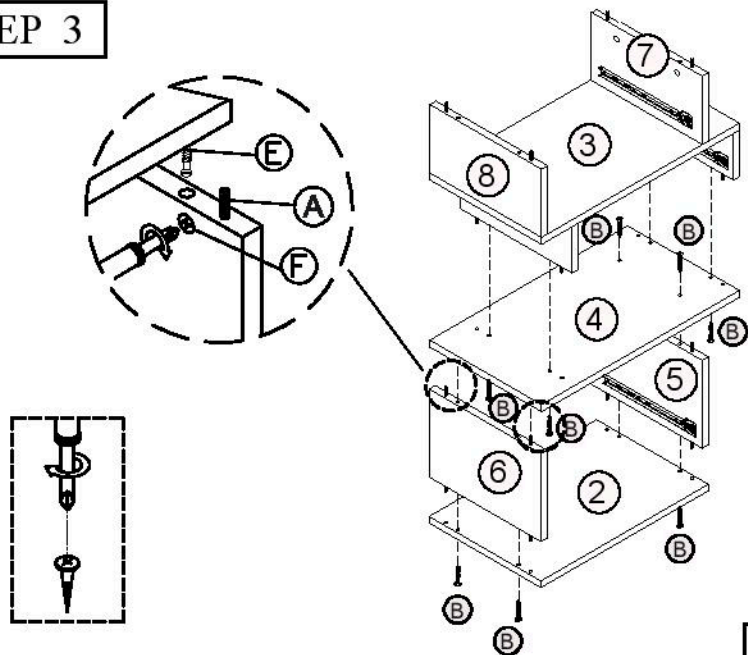
A	Wooden Dowel		x 34
C	16mm Screw		x 12
E	Cam Bolt		x 14
F	Cam Nut		x 14
I	10" Drawer Slide		x 3set

# STEP 2



B	45mm Screw		x 6
---	------------	---	-----

**STEP 3**

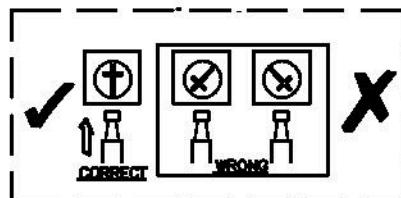
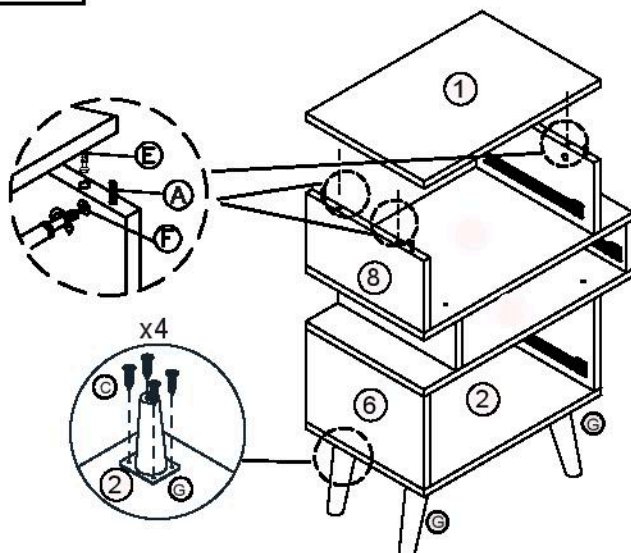


**B** 45mm Screw



x 10

**STEP 4**



**C** 16mm Screw



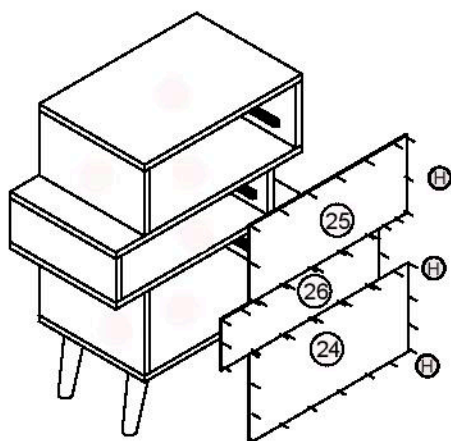
x 16

**G** Wood Leg + Plastic Foot



x 4

**STEP 5**

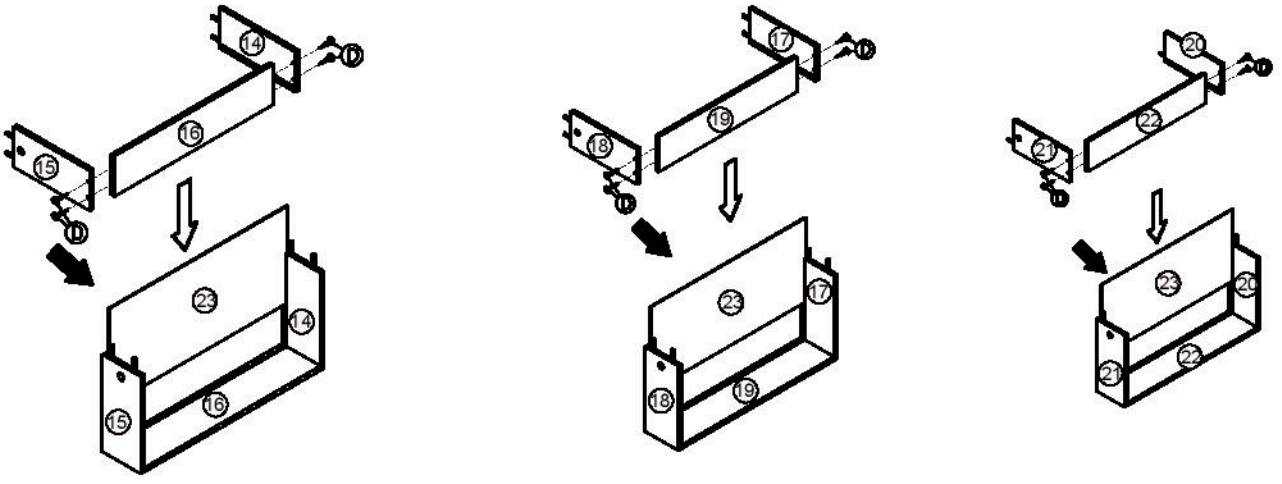


**H** Nail



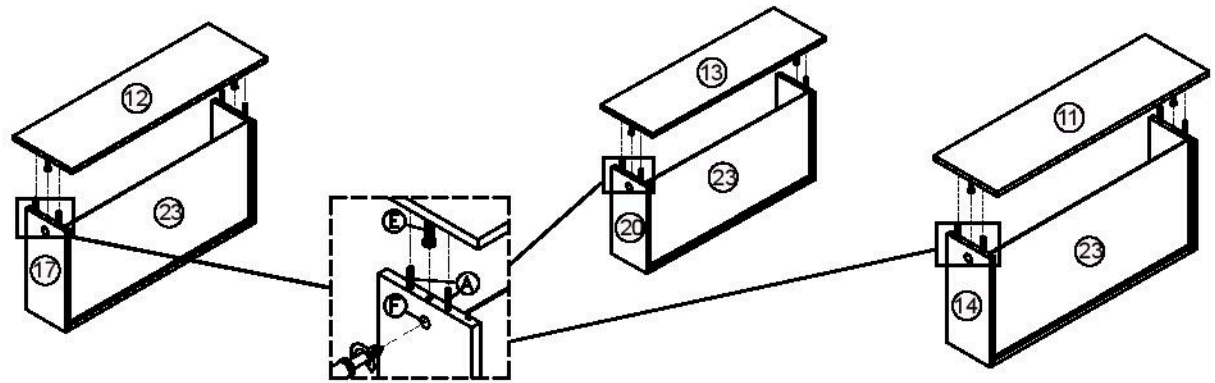
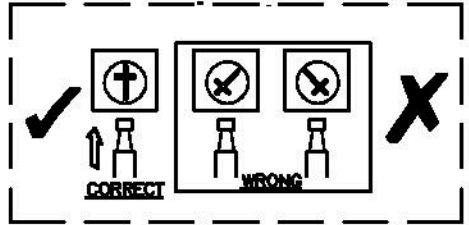
x 35

**STEP 6**

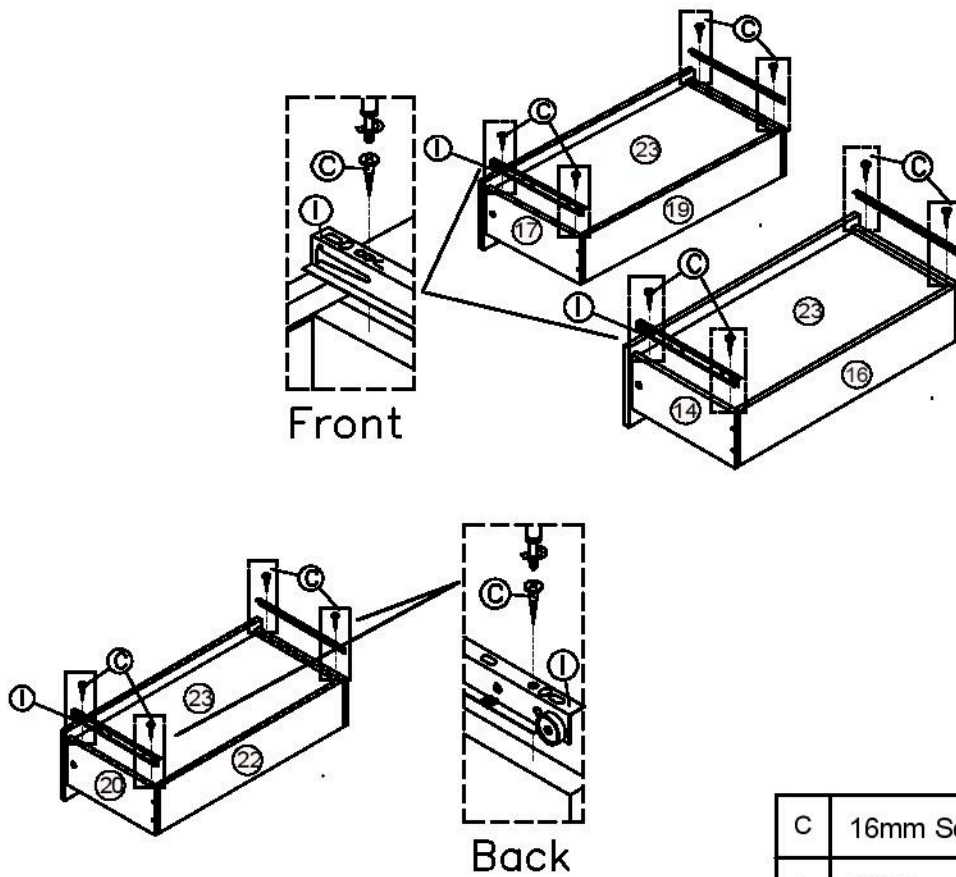




D	38mm Screw		x 12
---	------------	---	------

**STEP 7**

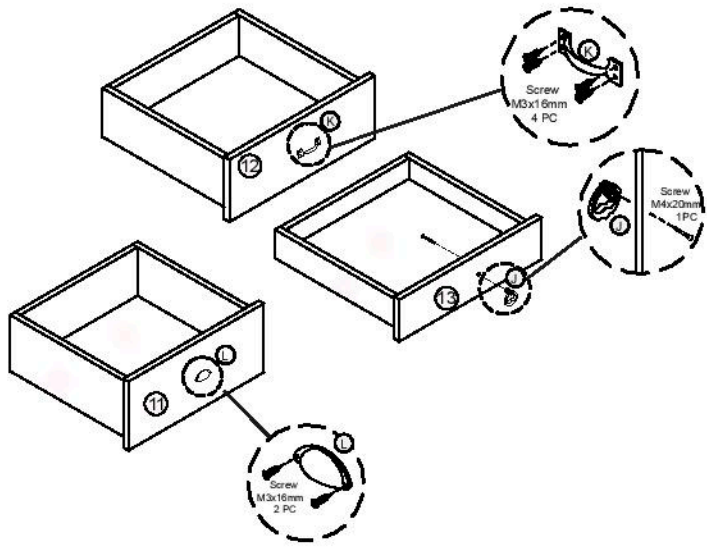





**STEP 8**



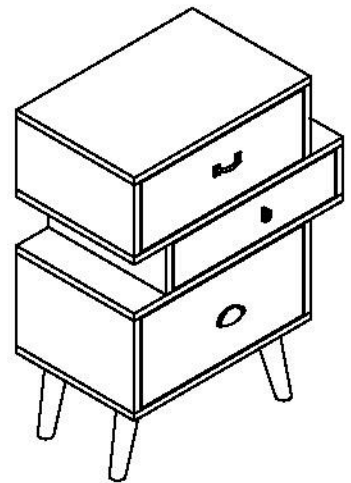
C	16mm Screw		x 12
I	10" Drawer Slide		x 3set

**STEP 9**



J	Handle+Screw		x 1
K	Handle+Screw		x 1
L	Handle+Screw		x 1

**STEP 10**



**FINISH**