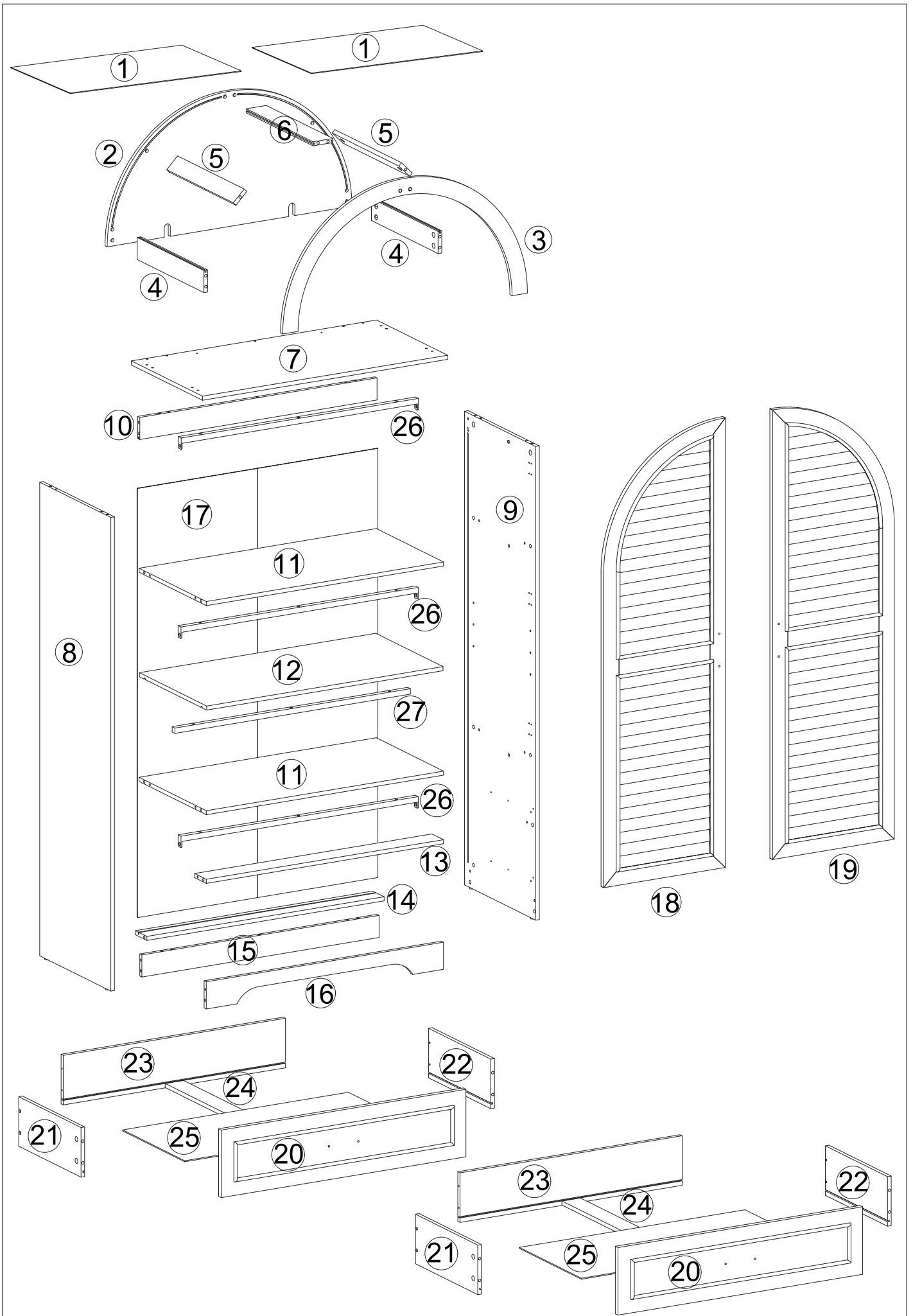


Installation & Assembly

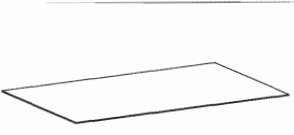
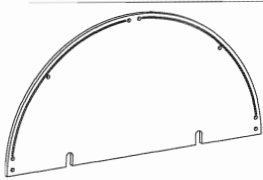
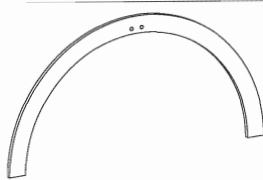



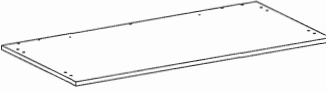
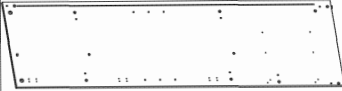
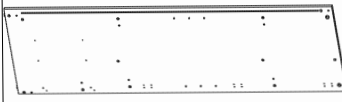
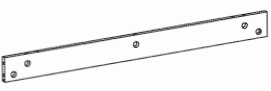







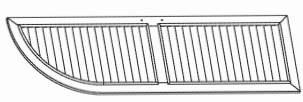
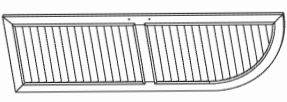
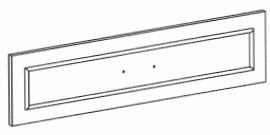
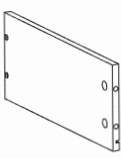
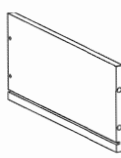
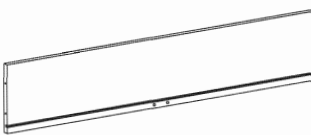
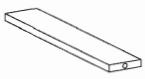





If you encounter any problems during installation, please contact our customer service.



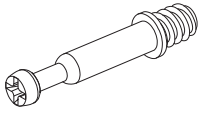

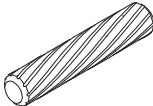
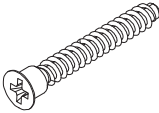
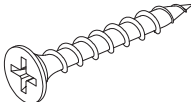
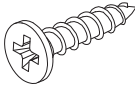
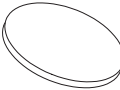
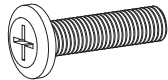
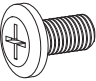

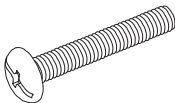
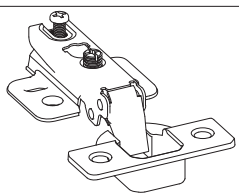
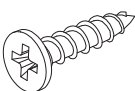
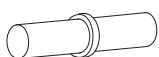
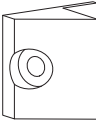
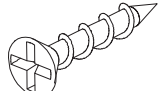

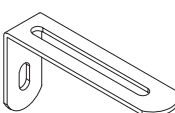
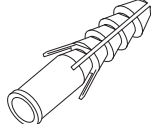


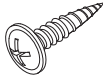
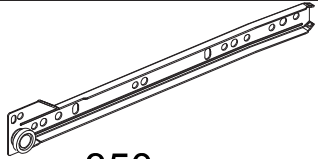
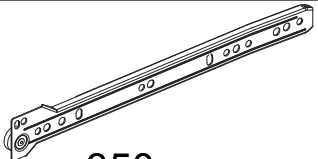
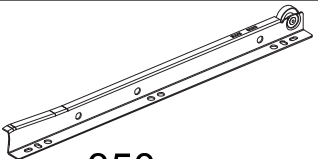

If you encounter any problems during installation, please contact our customer service.

Parts and Operation Elements

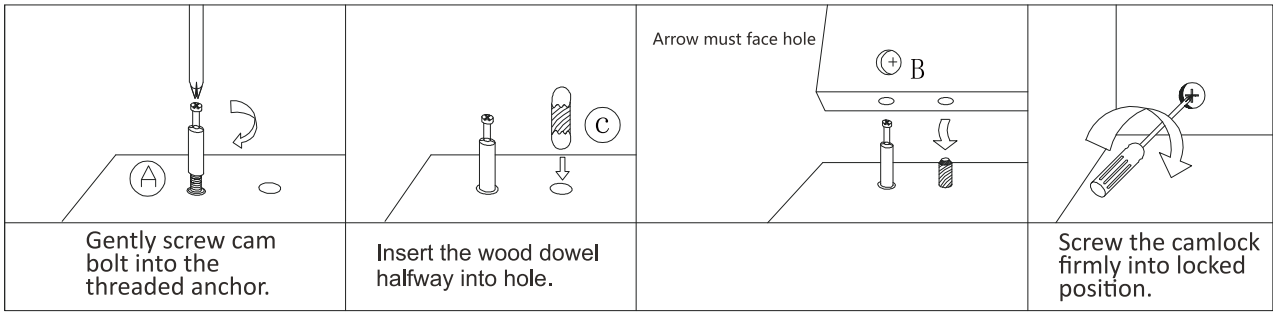
			
① 2PC	② 1PC	③ 1PCS	④ 2PC
			
⑤ 2PC	⑥ 1PC	⑦ 1PC	⑧ 1PC
			
⑨ 1PC	⑩ 1PC	⑪ 2PC	⑫ 1PC
			
⑬ 1PC	⑭ 1PCS	⑮ 1PCS	⑯ 1PC
			
⑰ 1PC	⑱ 1PCS	⑲ 1PCS	⑳ 2PCS
			
㉑ 2PCS	㉒ 2PCS	㉓ 2PCS	㉔ 2PCS
			
㉕ 2PCS	㉖ 3PCS	㉗ 1PCS	

If you encounter any problems during installation, please contact our customer service.

Hardware

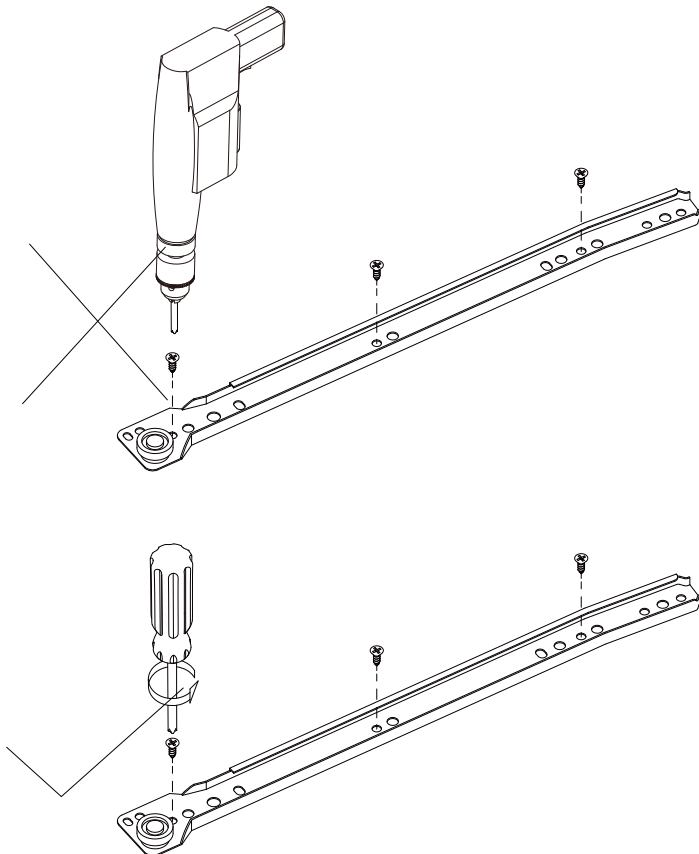
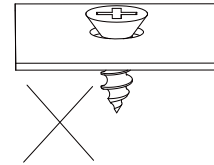
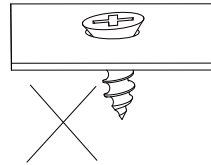
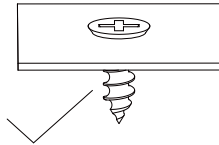
			
6x33.5mm Cam Bolt	15x9.5mm Cam Lock	6x30mm Dowel	5x48mm Screw
(A) x54+2	(B) x54+2	(C) x30+2	(D) x7
			
4x30mm Screw	3.5x12mm Screw	30mm	6x25mm Screw
(E) x12+1	(F) x28+2	(G) x54+2	(H) x12
			
6x12mm Screw		4x20mm Screw	
(I) x6	(J) x4	(K) x8	(L) x6
			
3.5x14mm Screw	5x19mm		3x16mm Screw
(M) x36+2	(N) x4	(O) x8	(P) x8
			
3x14mm Screw			4x12mm Screw
(Q) x2	(R) x2	(S) x2	(T) x2
			
4x38mm Screw	3x14mm Screw		
(U) x2	(V) x8		
			
350mm	350mm	350mm	350mm
(CL) x2	(CR) x2	(DL) x2	(DR) x2

If you encounter any problems during installation, please contact our customer service.



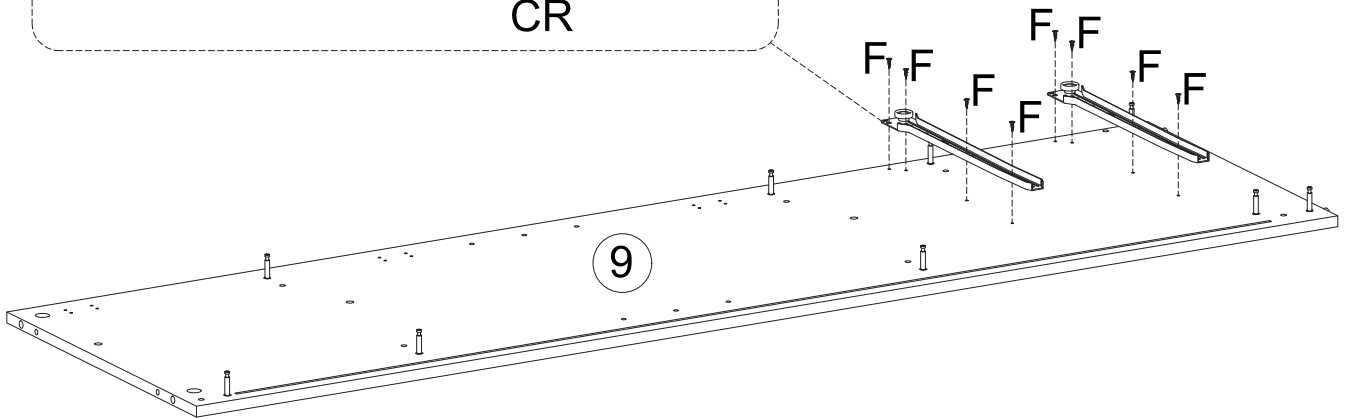
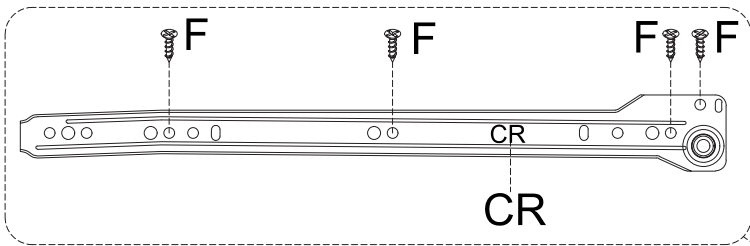
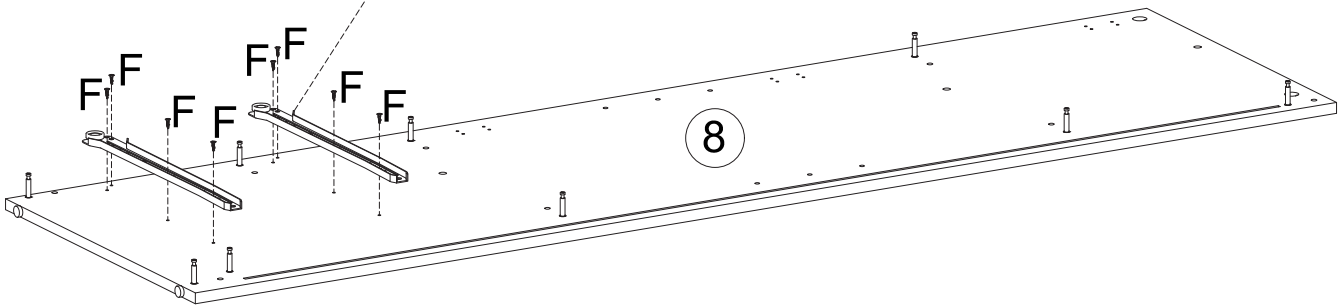
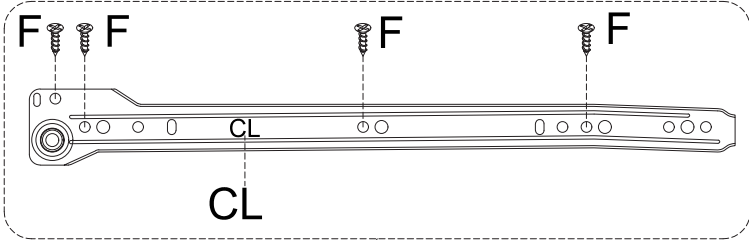
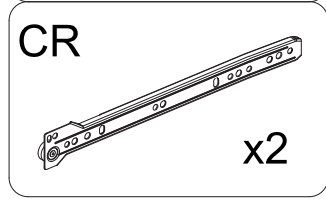
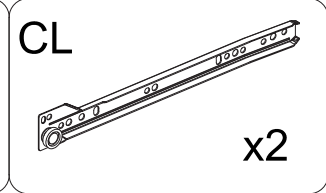
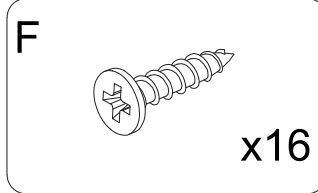
SAFETY TIPS:Static charge may cause dust on foam - clean with a dry or damp cloth.Small foam strands may be present - handle gently and dispose of properly.Do not bur or incinerate. Check local recycling guidelines.

Please kindly note the following points when you assemble the sliders of the drawers



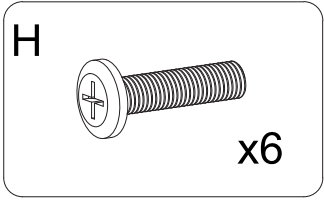
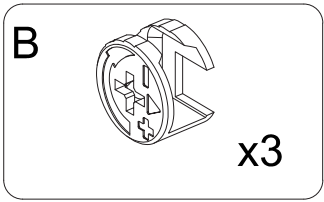
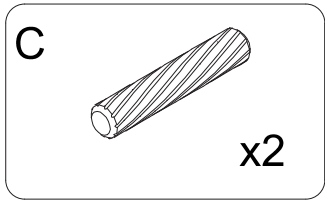
If you encounter any problems during installation, please contact our customer service.

2

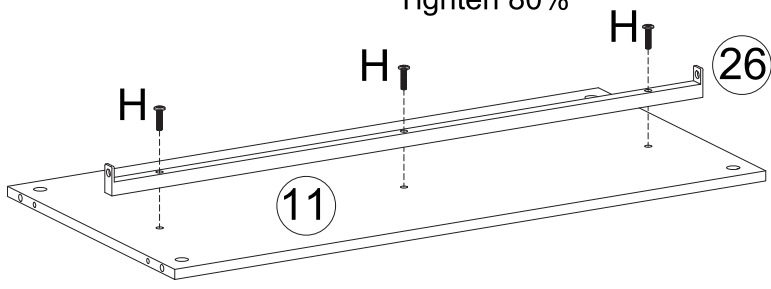


If you encounter any problems during installation, please contact our customer service.

3



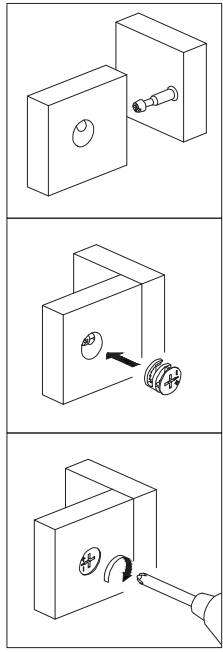
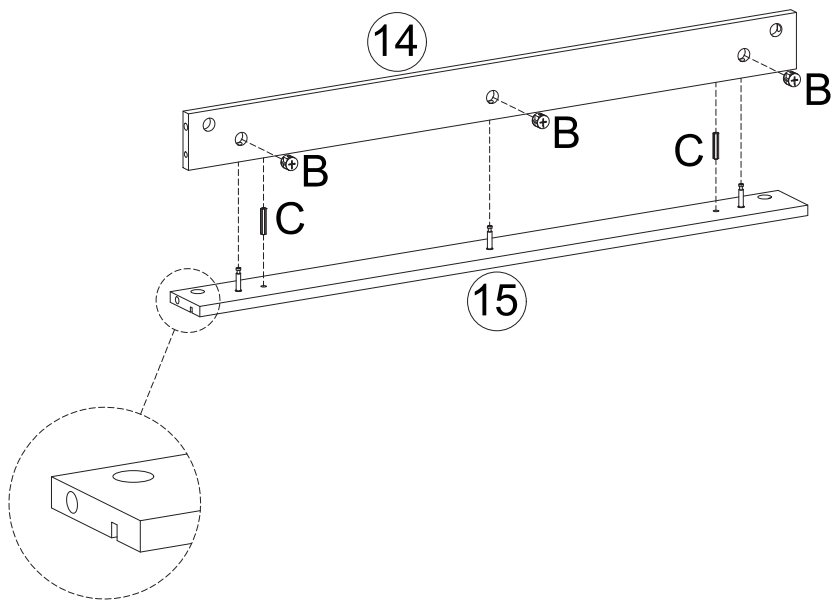
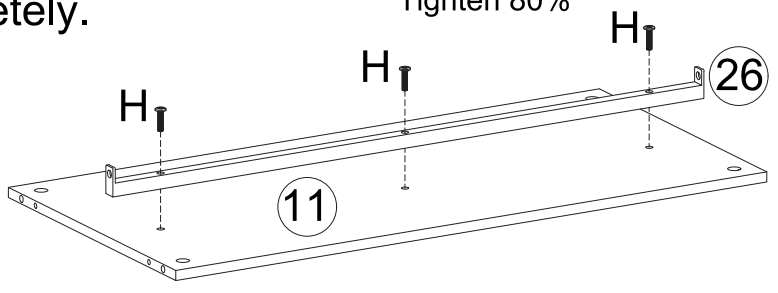
Tighten 80%



Tighten All bolt #H to 80% first.
After completing Step 6,
tighten All bolt completely.

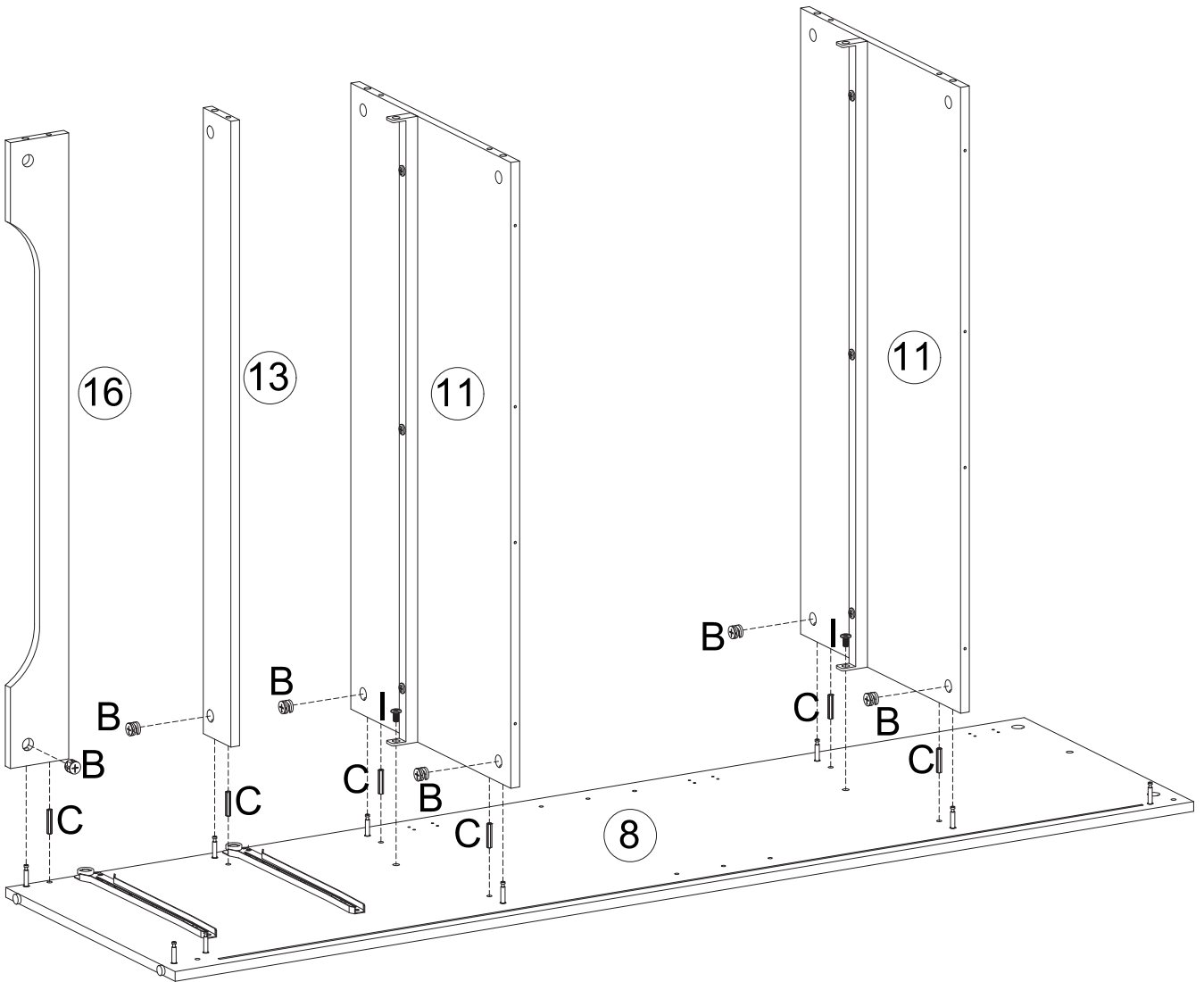
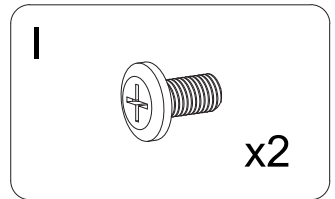
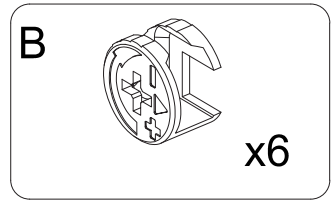
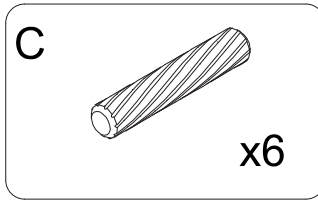
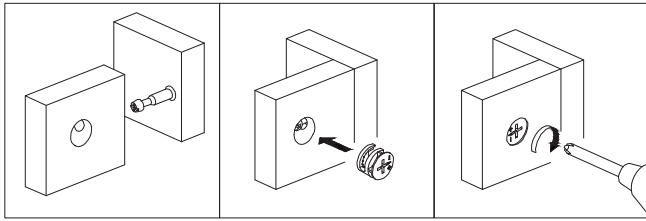


Tighten 80%



If you encounter any problems during installation, please contact our customer service.

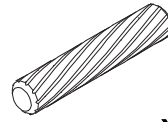
4



If you encounter any problems during installation, please contact our customer service.

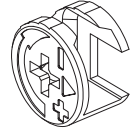
5

C

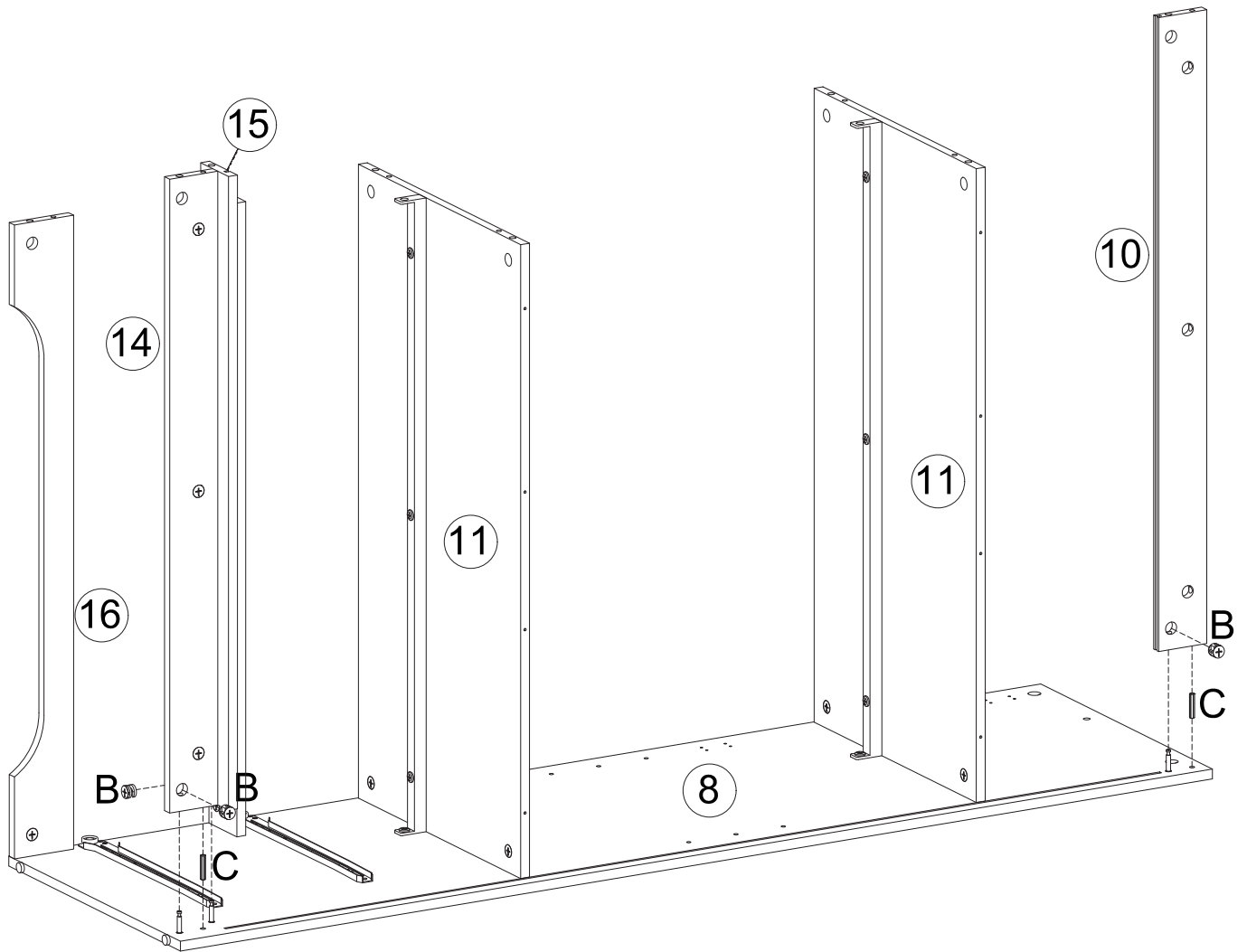
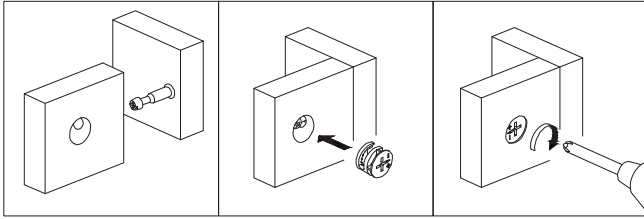


x2

B

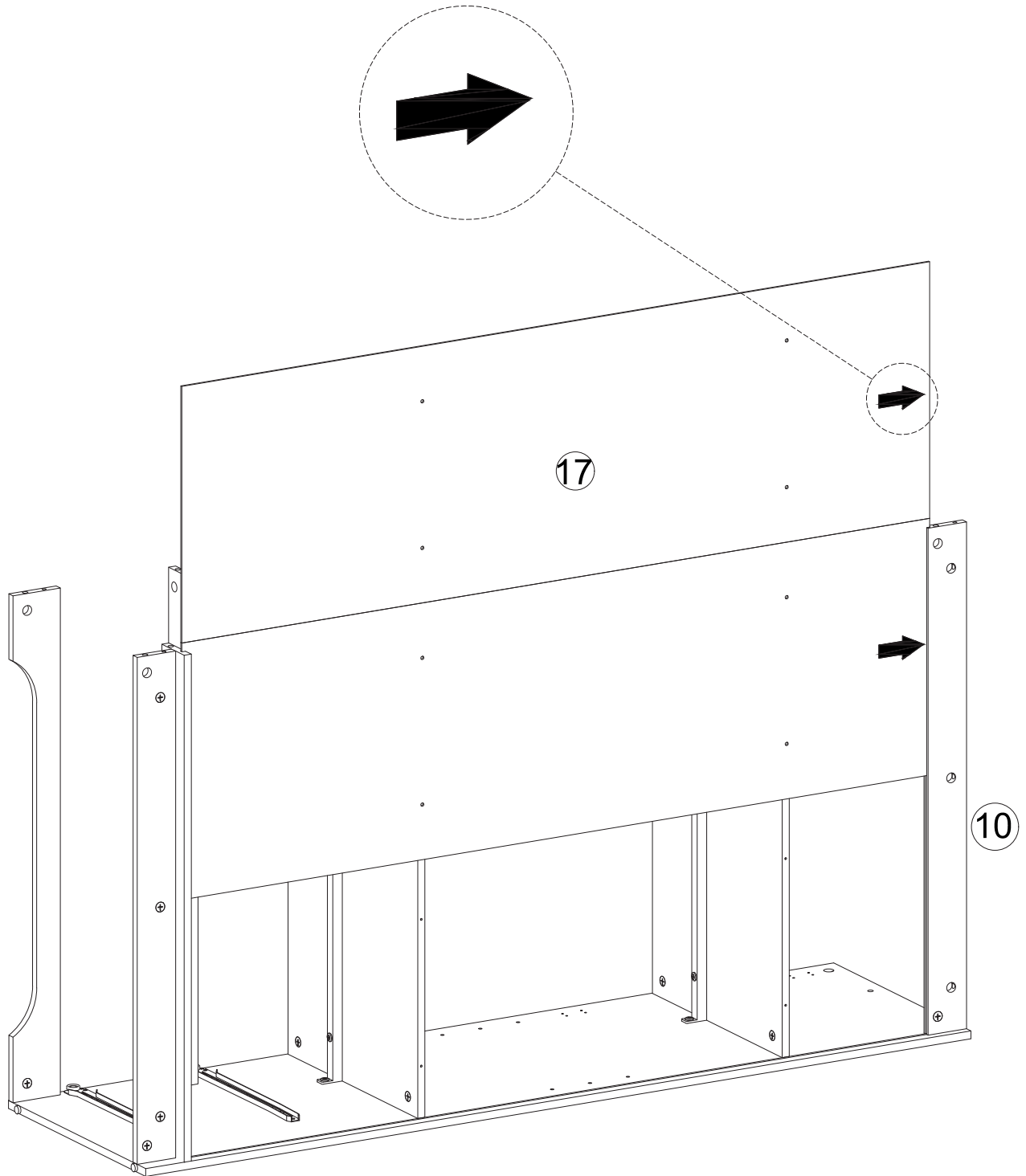


x3



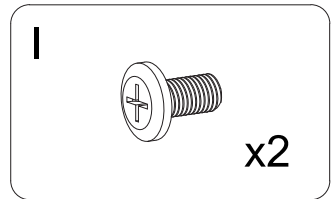
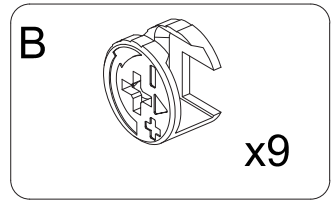
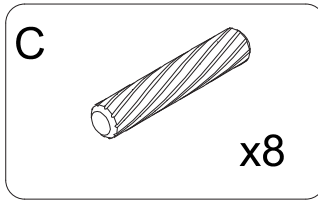
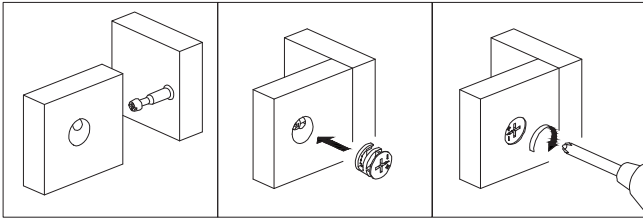
If you encounter any problems during installation, please contact our customer service.

6

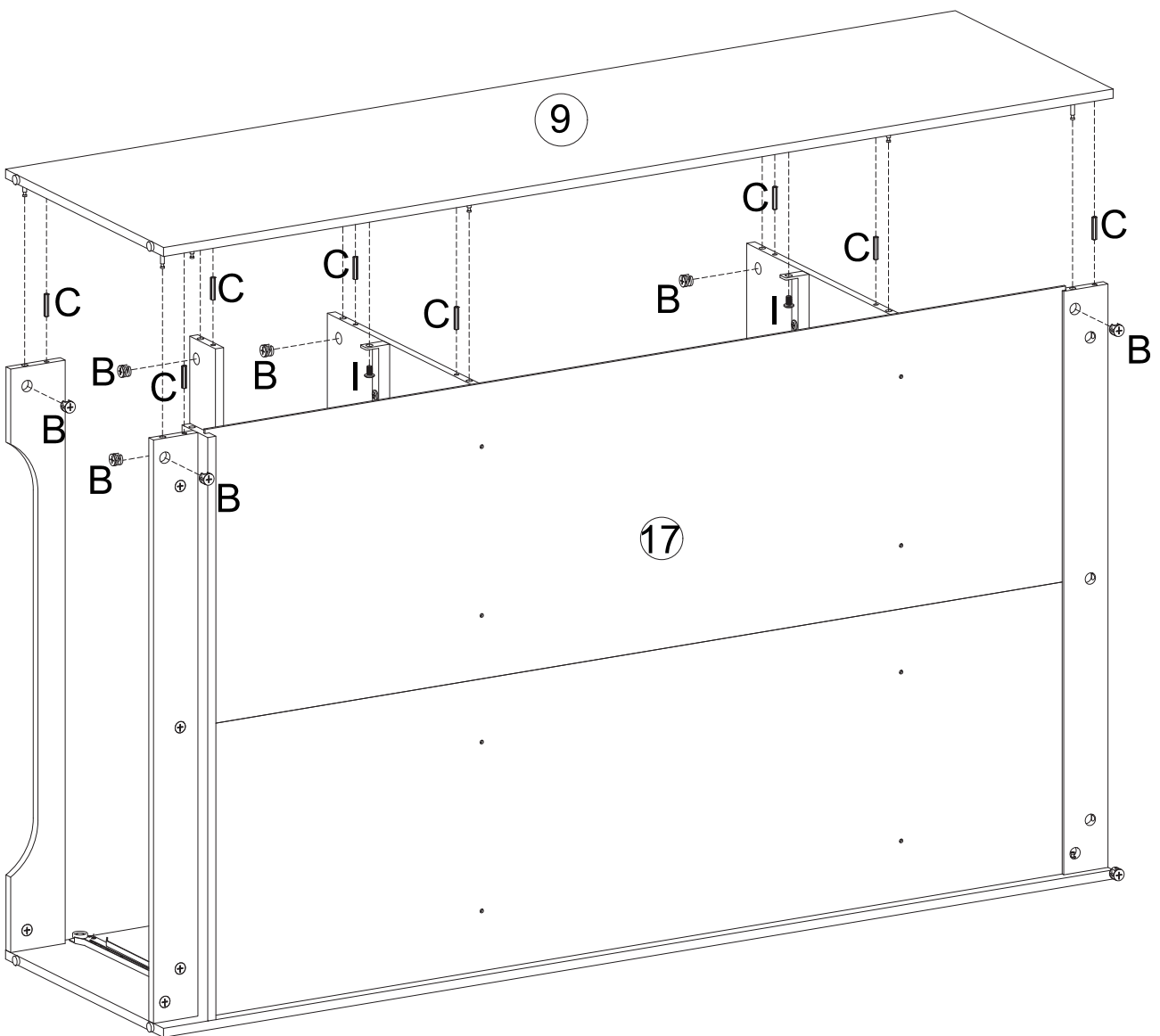


If you encounter any problems during installation, please contact our customer service.

7

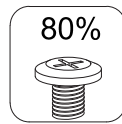
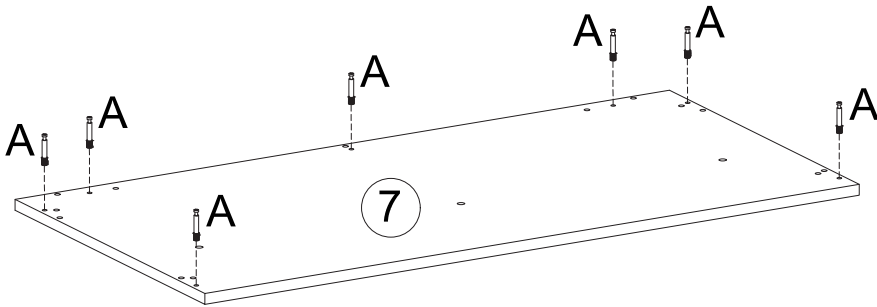
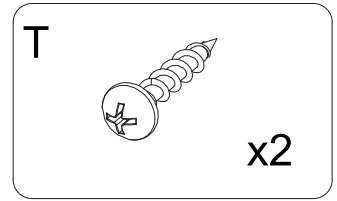
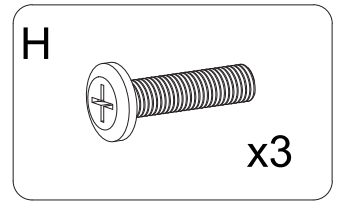
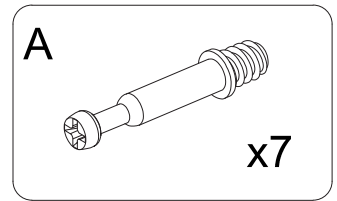
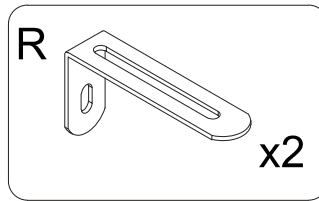


NOTE:
Tighten all Bolt (H and I) In the #26



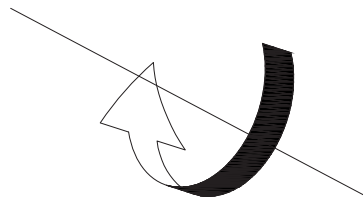
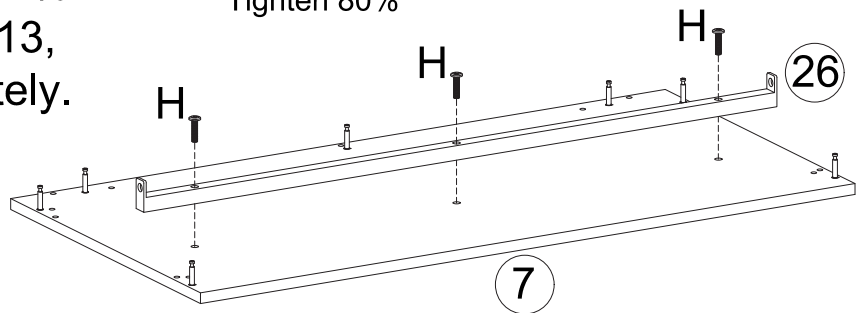
If you encounter any problems during installation, please contact our customer service.

8

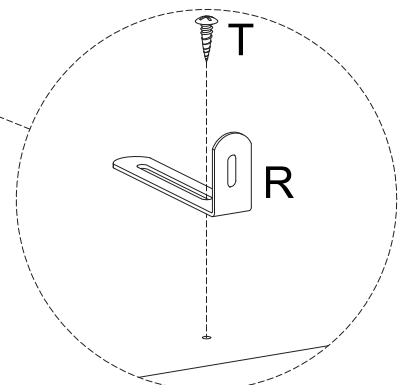
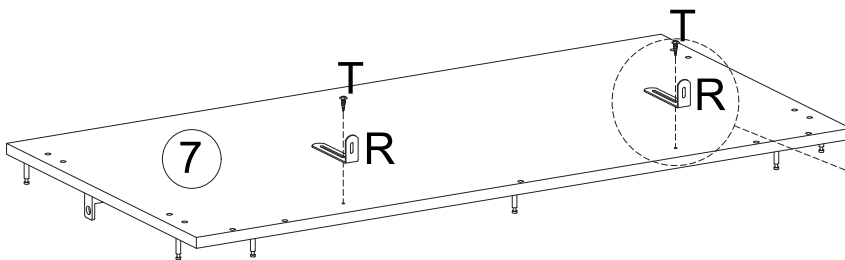


Tighten 80%

Tighten All bolt #H to 80% first.
After completing Step 13,
tighten All bolt completely.

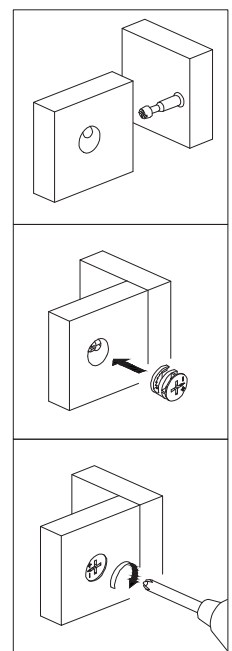
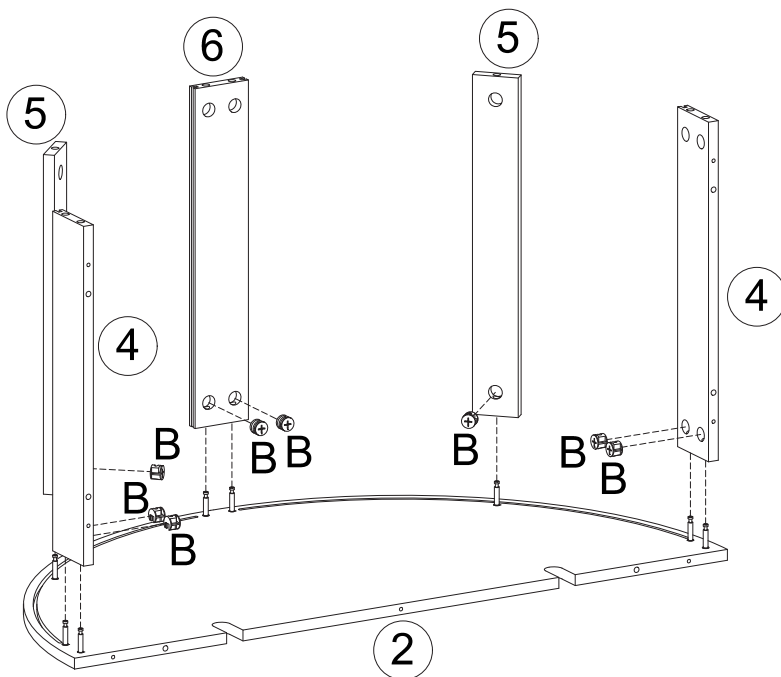
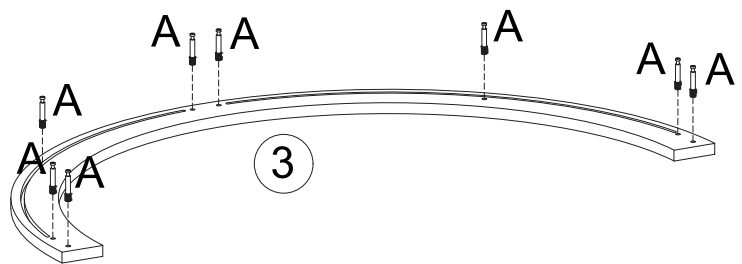
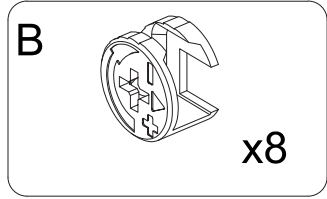
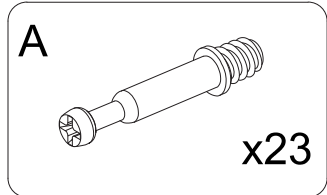
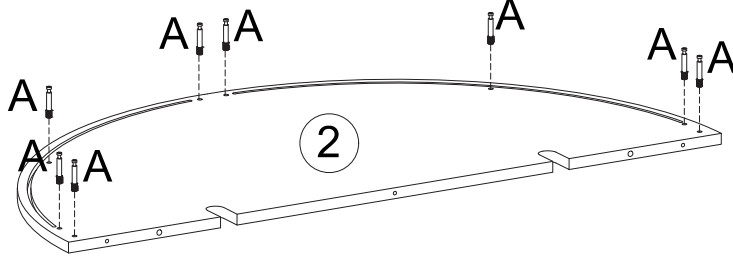


180°



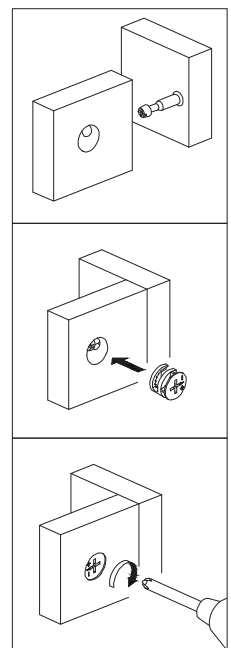
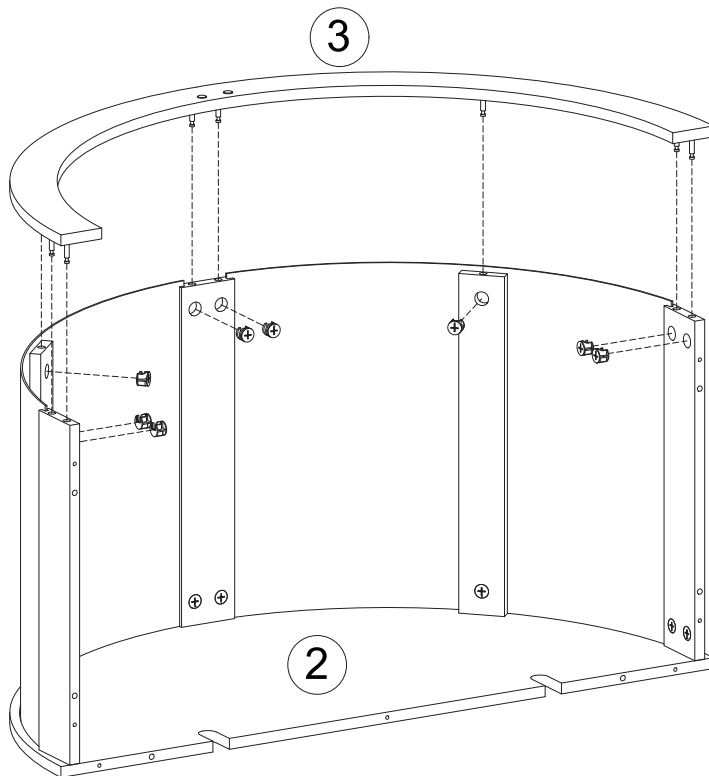
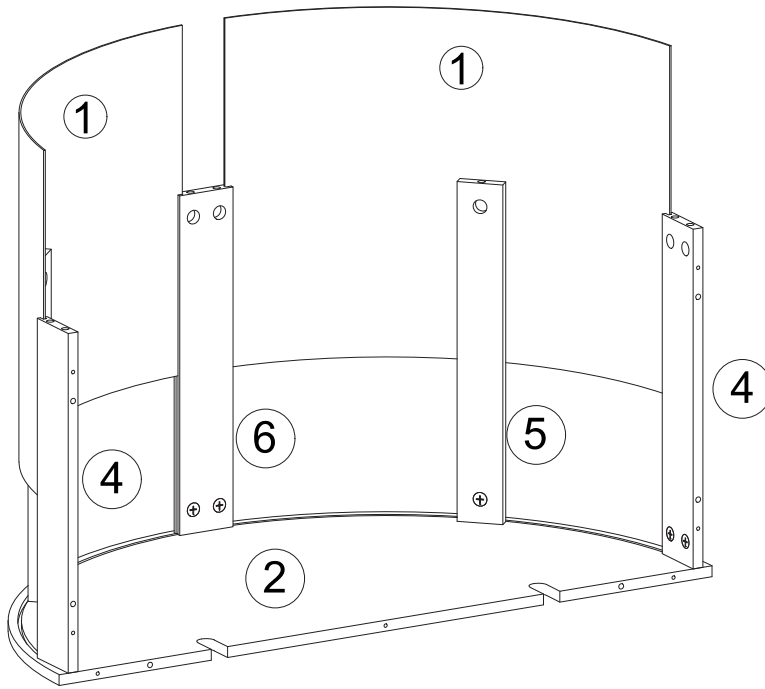
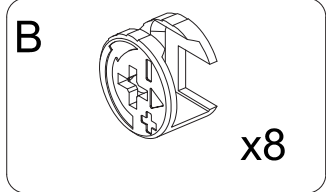
If you encounter any problems during installation, please contact our customer service.

9



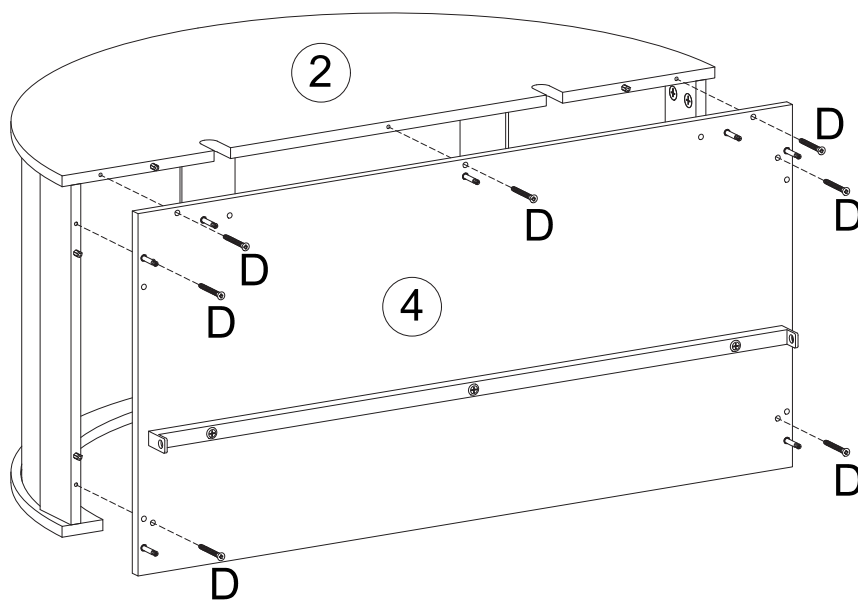
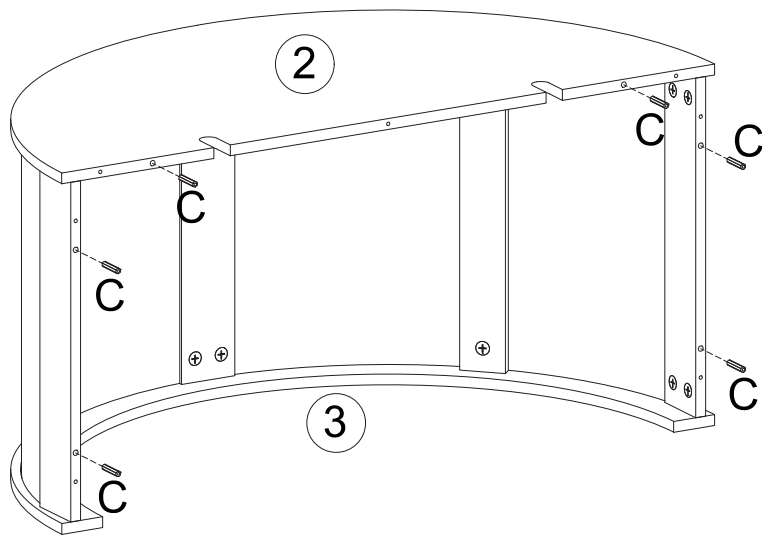
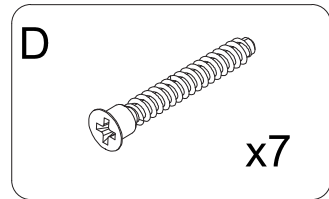
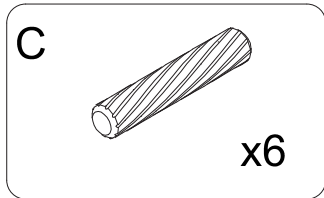
If you encounter any problems during installation, please contact our customer service.

10



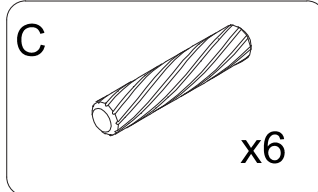
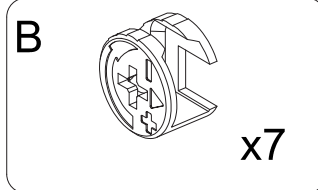
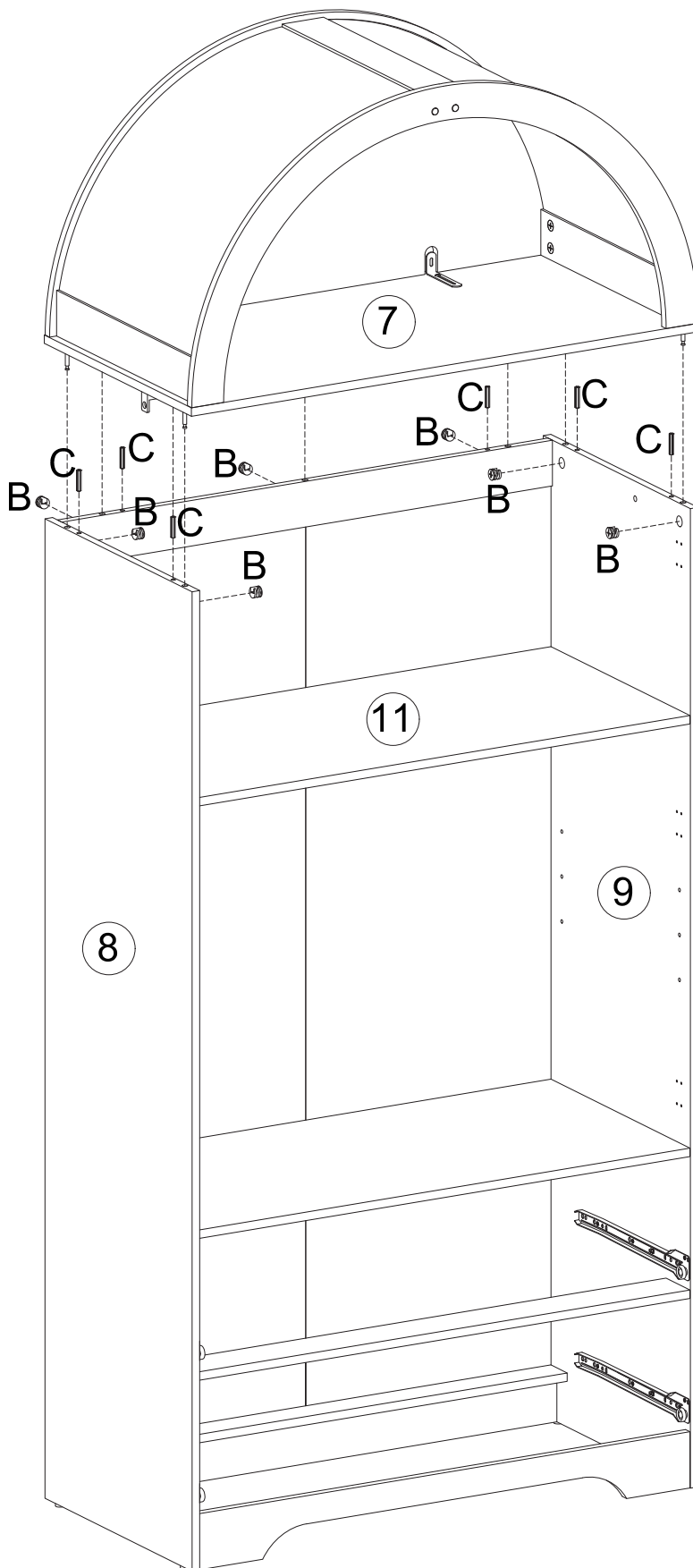
If you encounter any problems during installation, please contact our customer service.

11



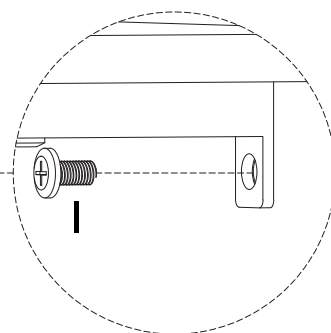
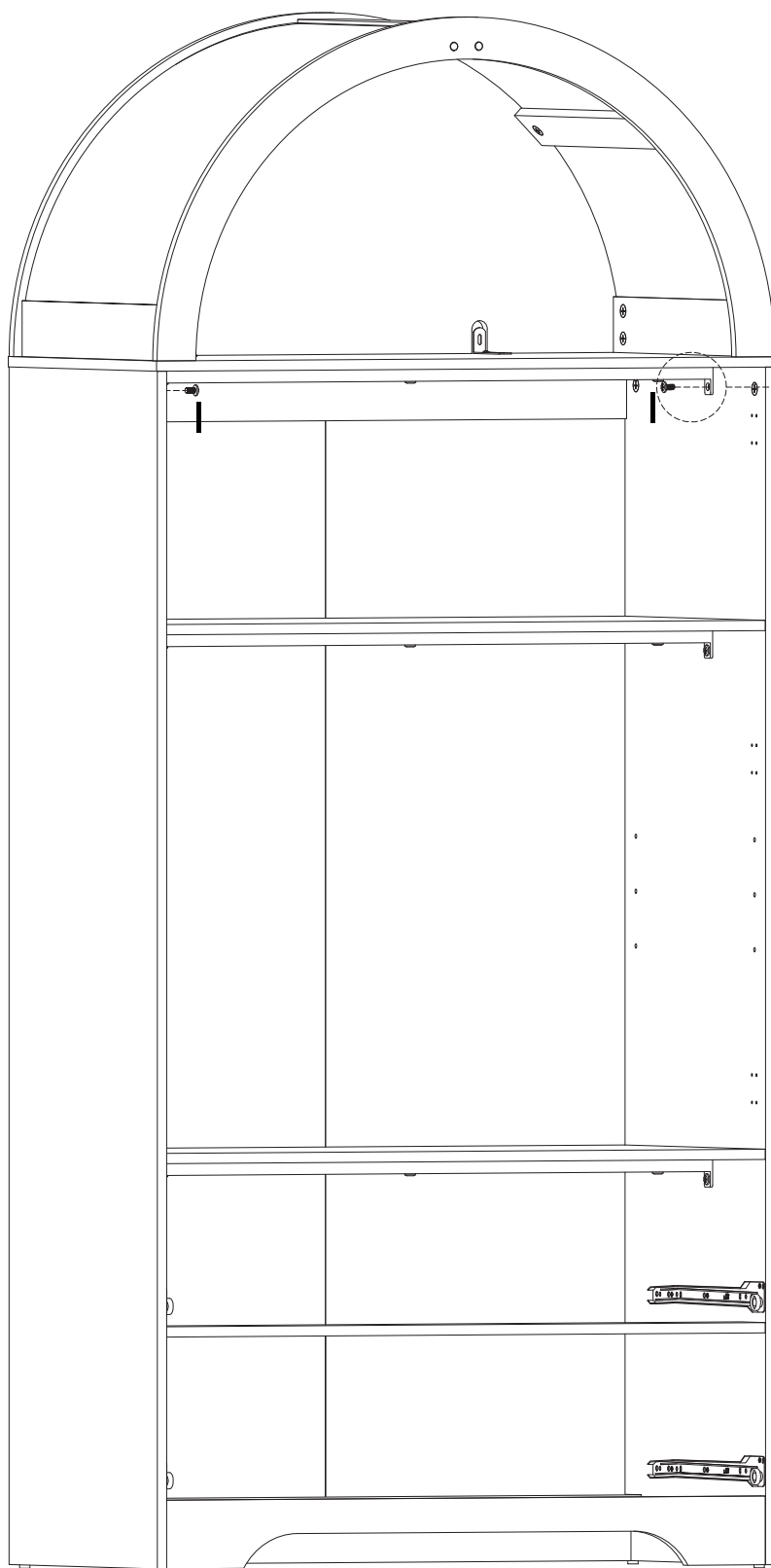
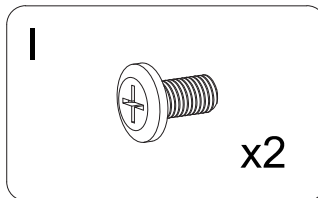
If you encounter any problems during installation, please contact our customer service.

12



If you encounter any problems during installation, please contact our customer service.

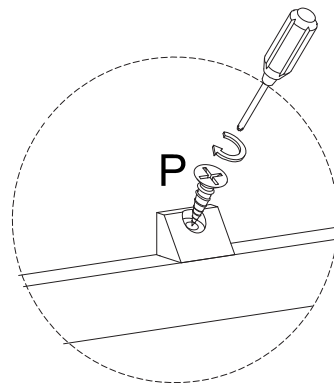
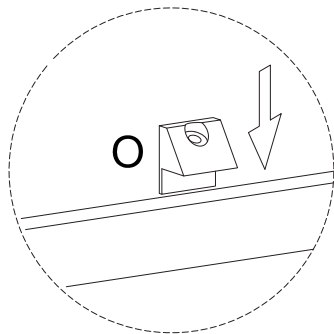
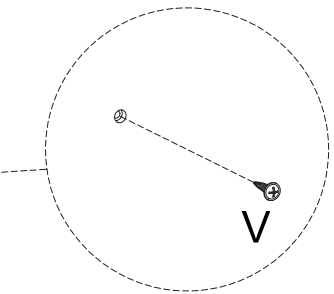
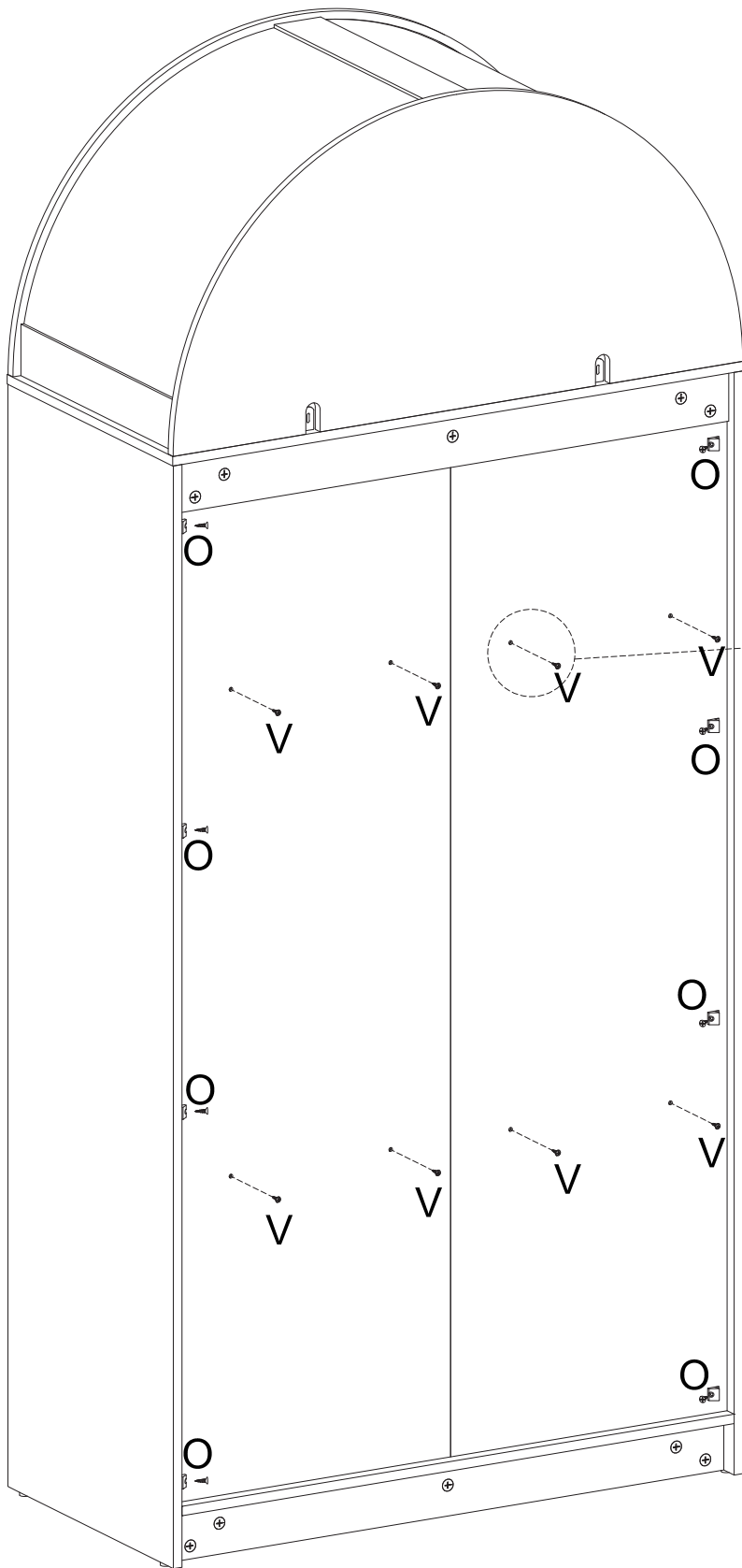
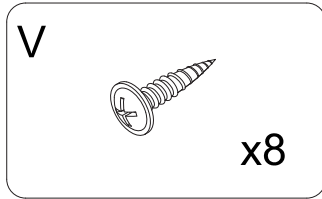
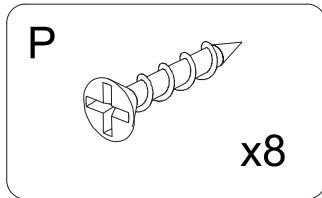
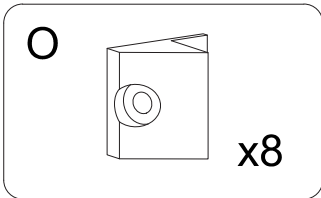
13



NOTE:
Tighten all Bolt (H and I)
In the #26

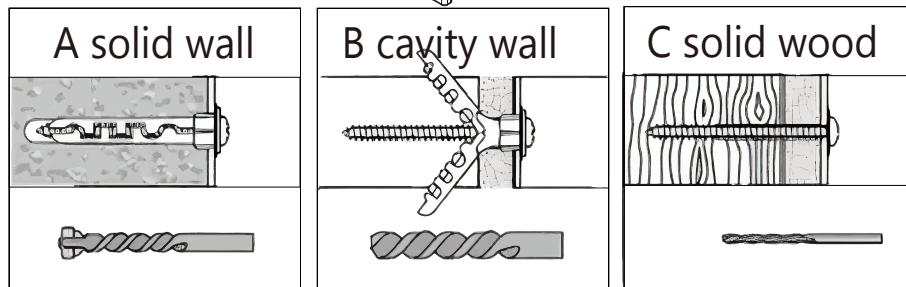
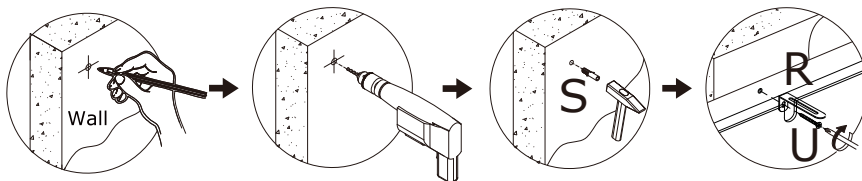
If you encounter any problems during installation, please contact our customer service.

14



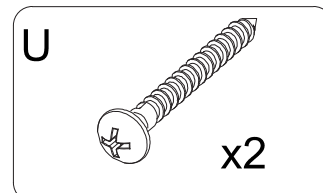
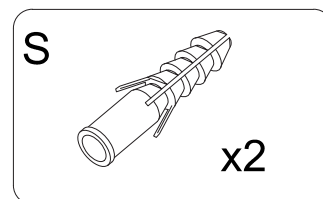
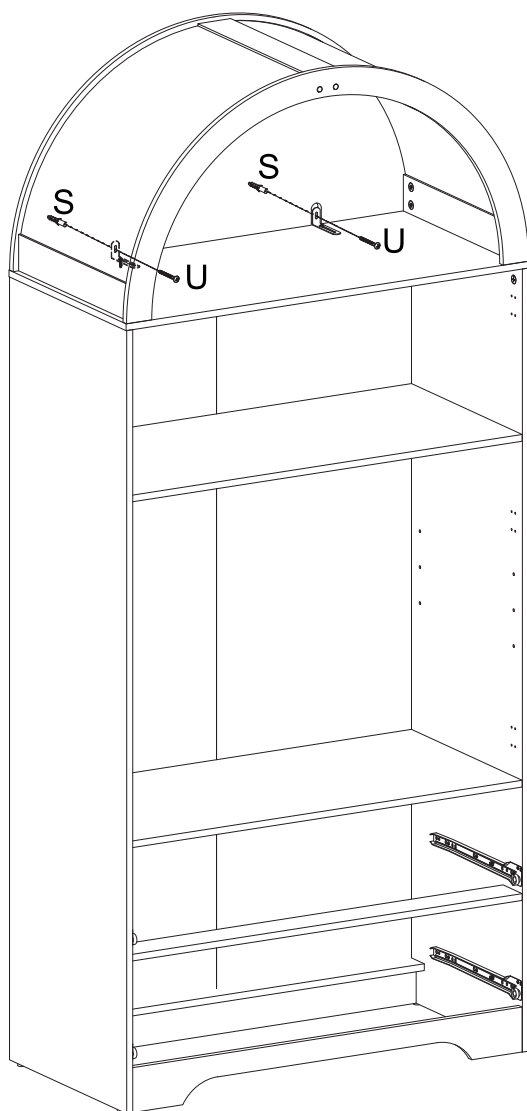
If you encounter any problems during installation, please contact our customer service.

15



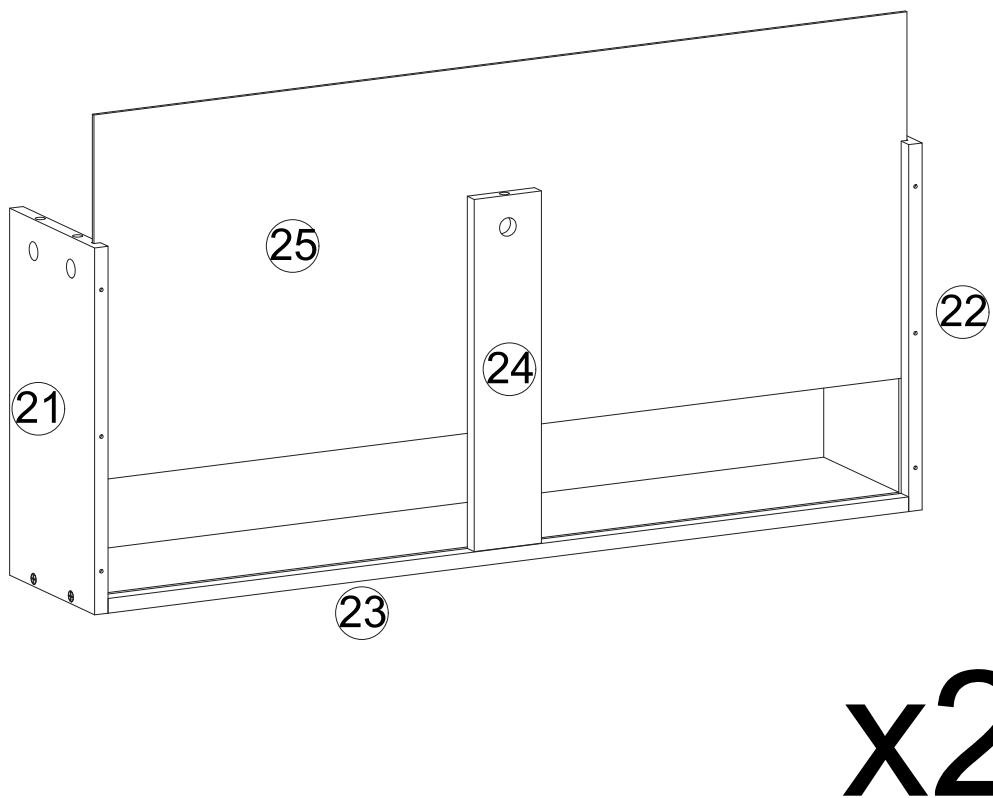
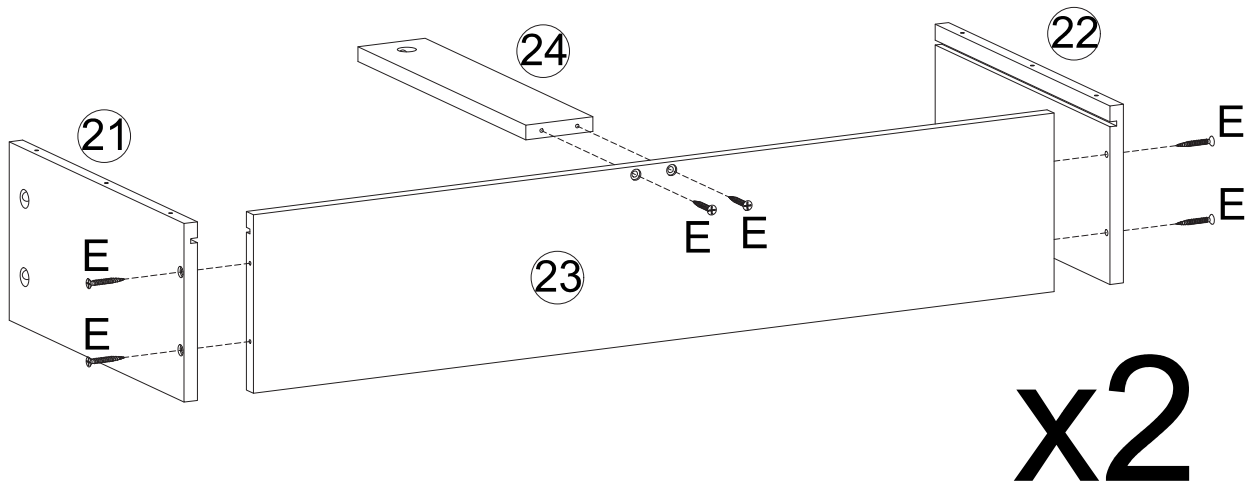
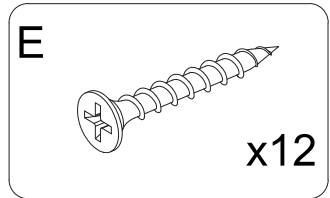
! Warning: If you overturn the furniture, it may cause serious or fatal crushing injuries. We have a wall connection device attached, please use it to hold the furniture following these instructions.

1. Mark the corresponding hole positions where you want to place the furniture;
2. Use a impact drill to drill holes and pay attention to avoid wires and water pipes;
3. Knock the expansion pipes into the wall holes;
4. Place the furniture in the corresponding position and tighten the wall connection device with screws.



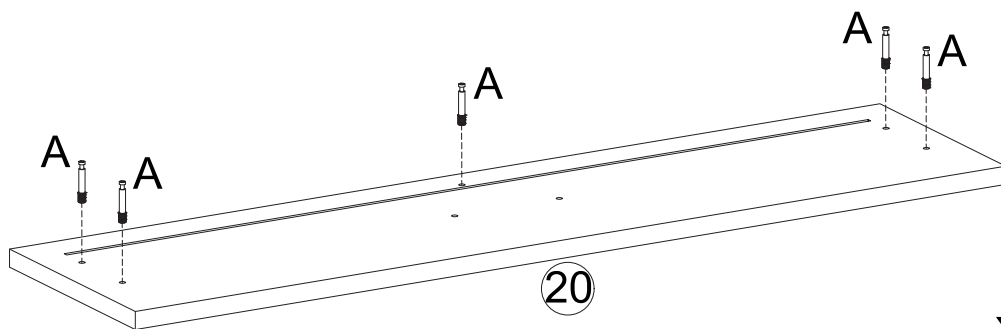
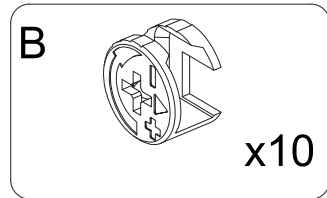
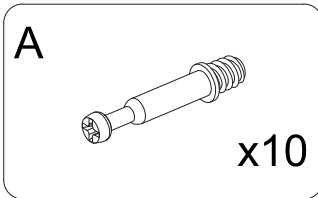
If you encounter any problems during installation, please contact our customer service.

16

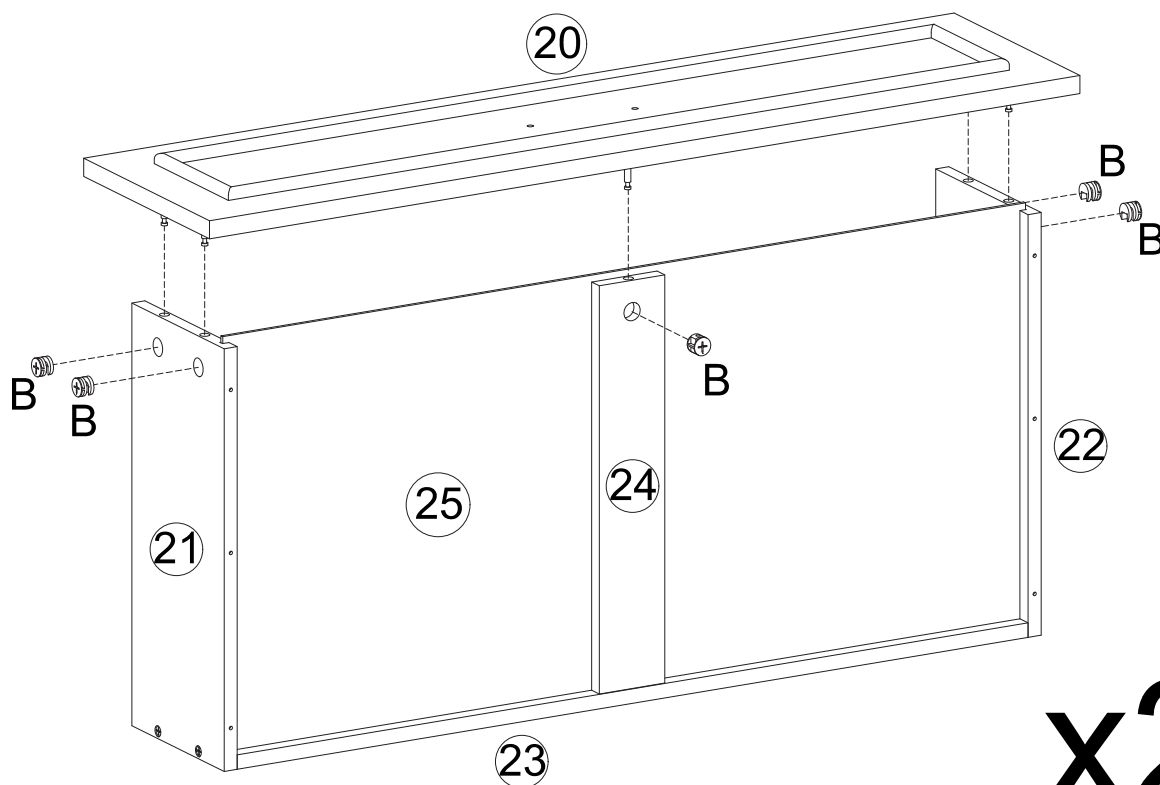
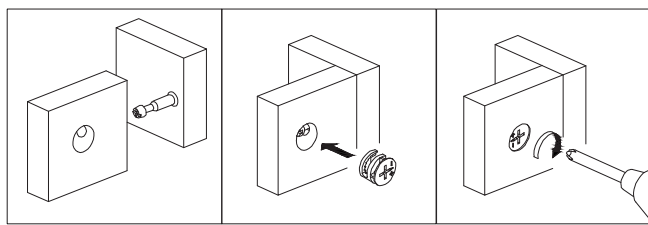


If you encounter any problems during installation, please contact our customer service.

17



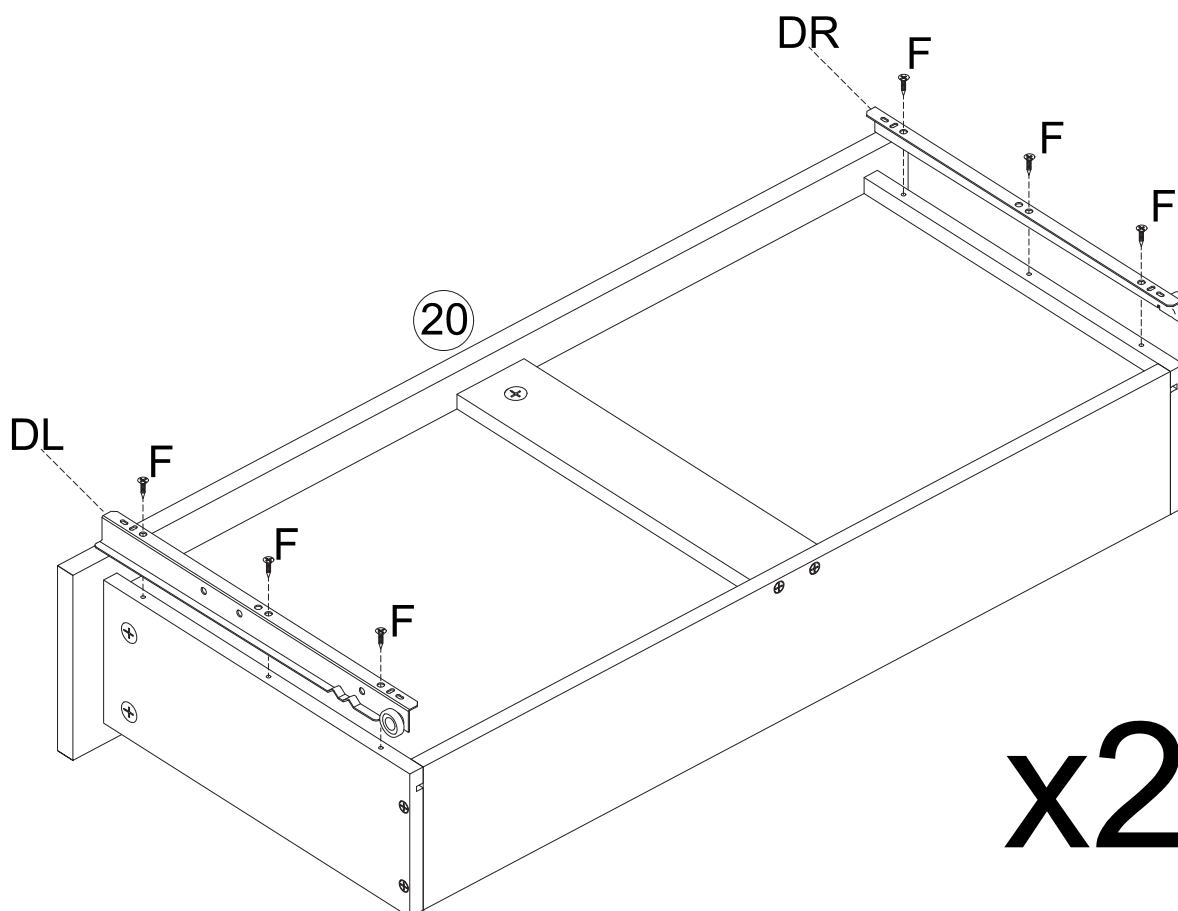
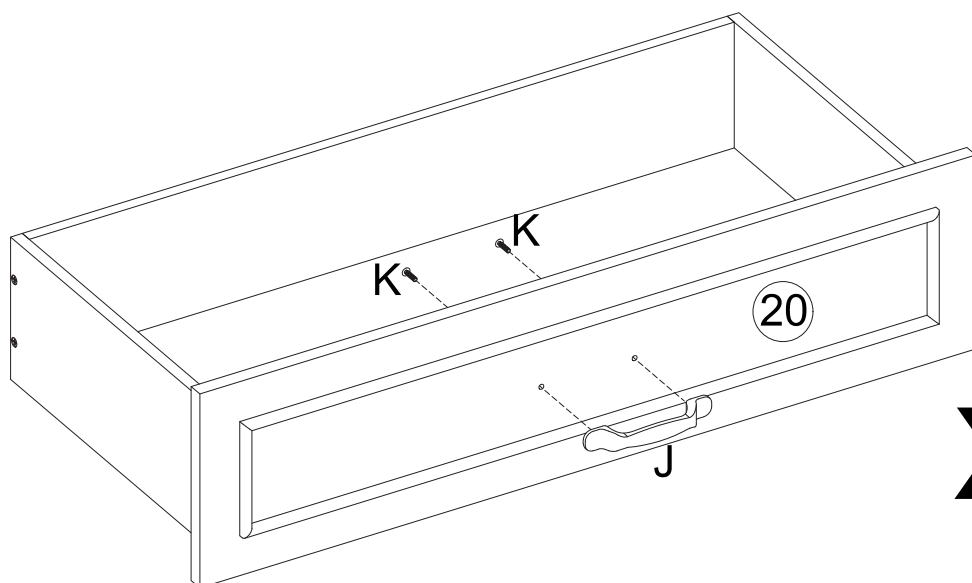
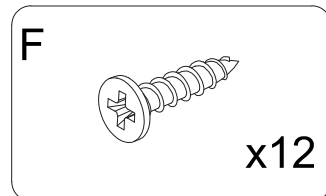
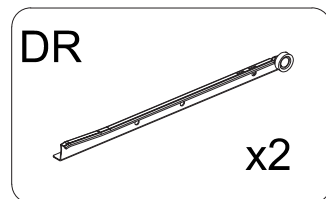
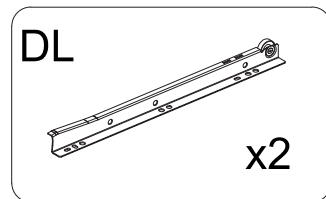
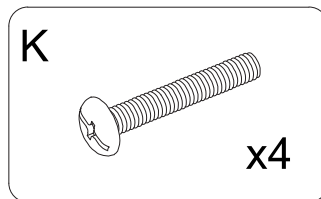
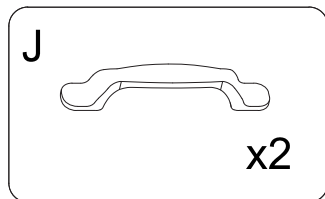
x2



x2

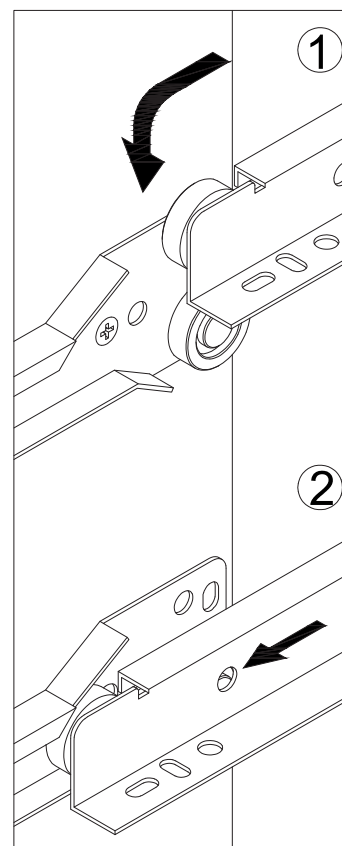
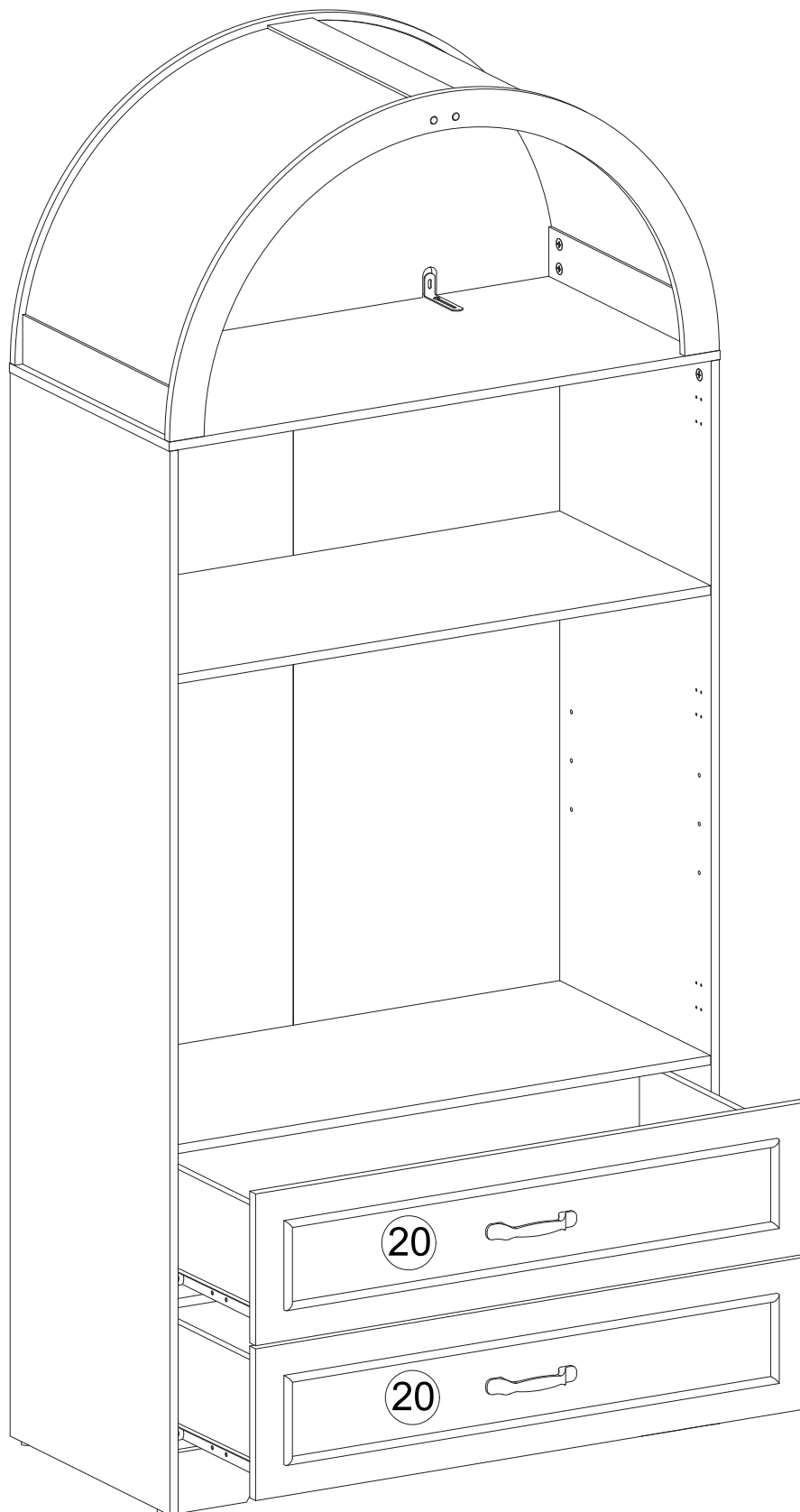
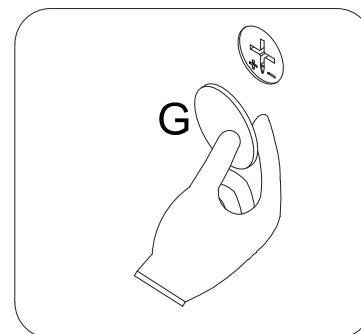
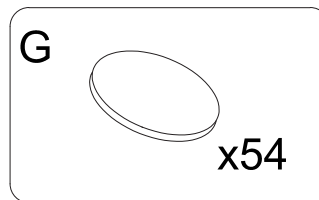
If you encounter any problems during installation, please contact our customer service.

18



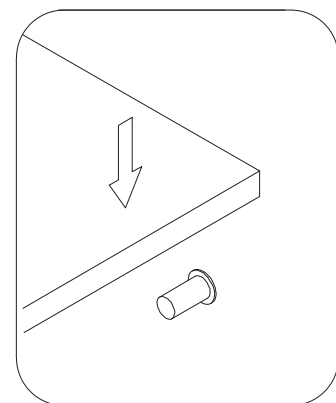
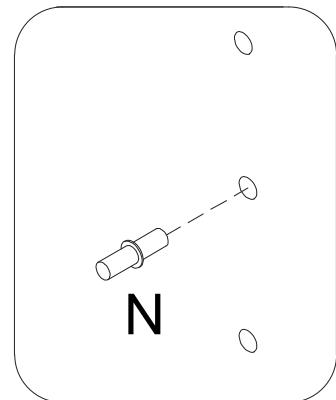
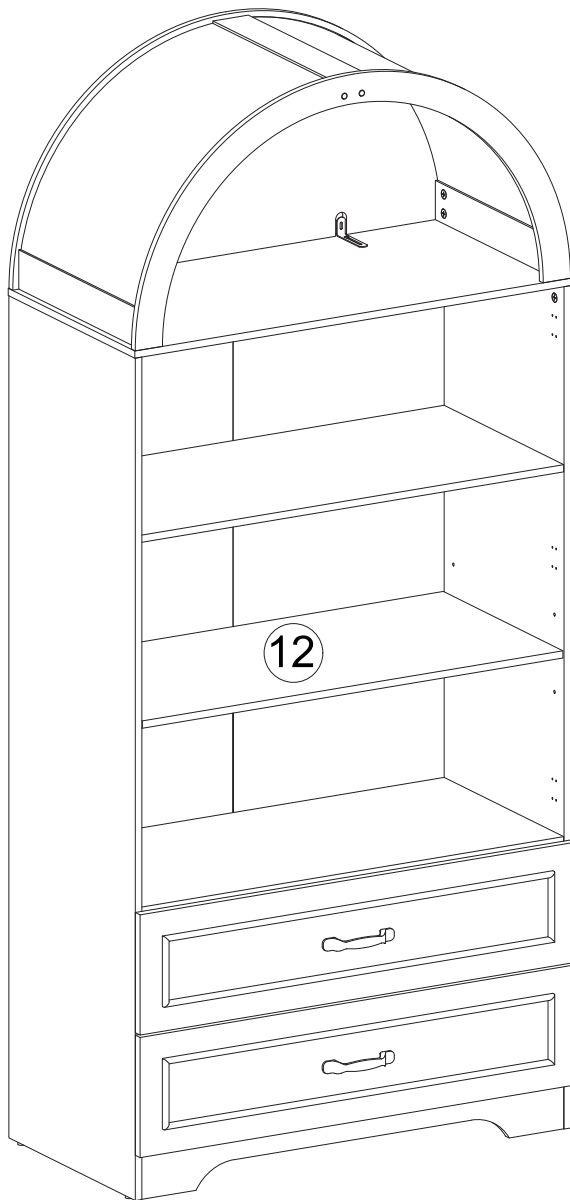
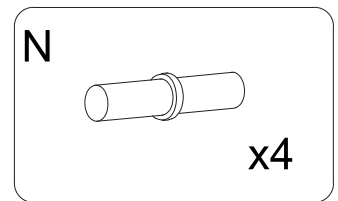
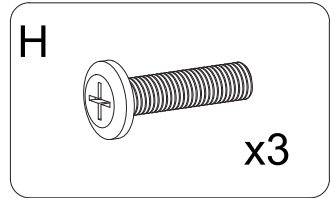
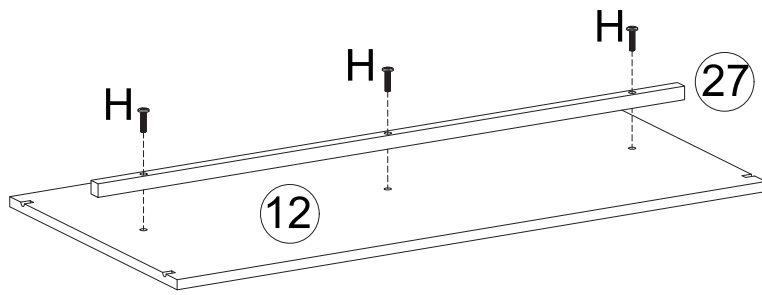
If you encounter any problems during installation, please contact our customer service.

19



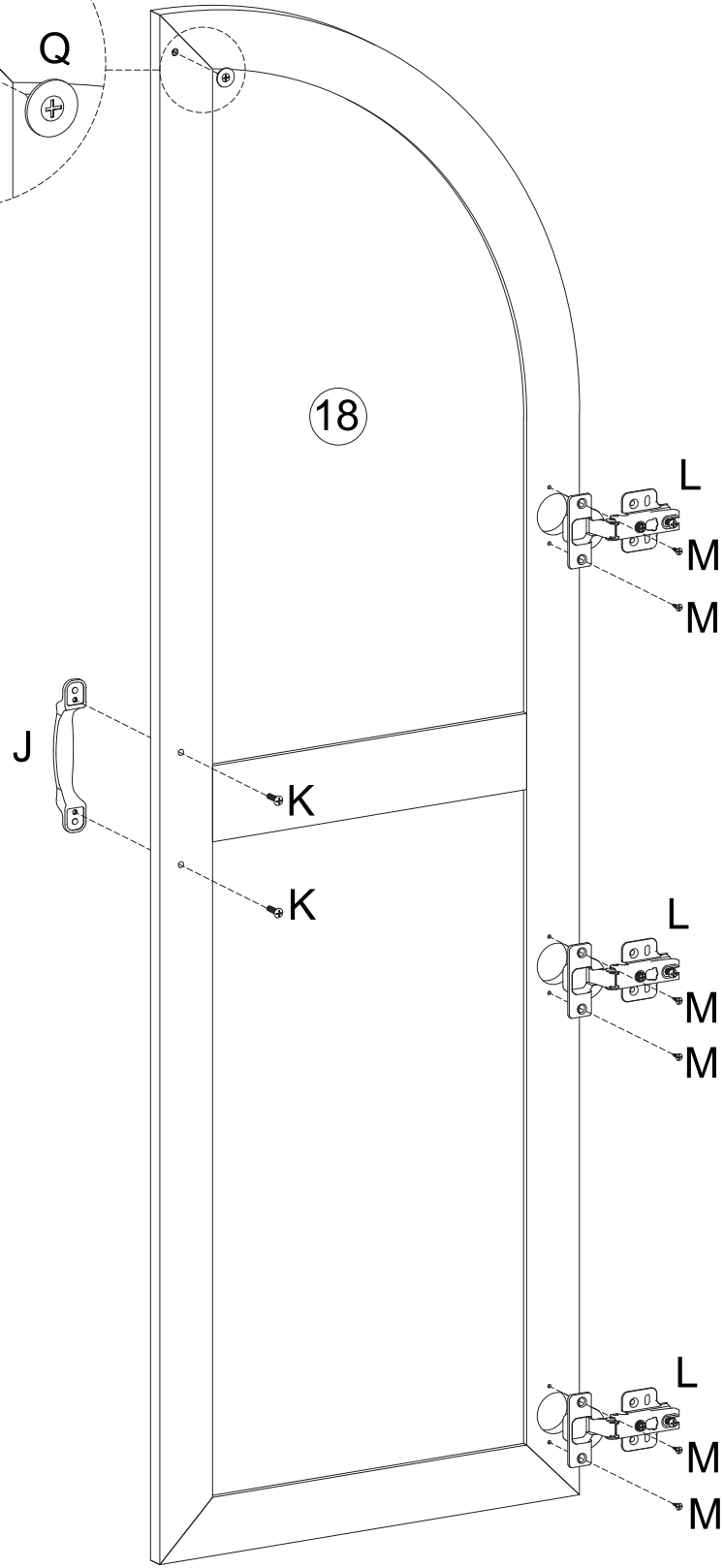
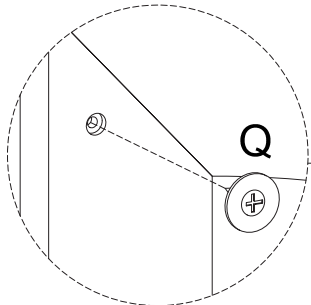
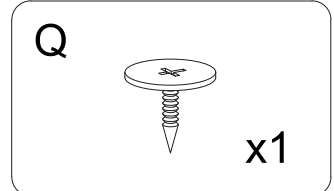
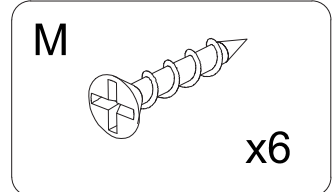
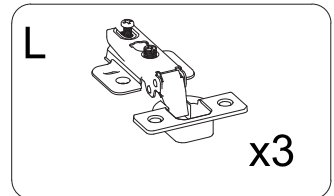
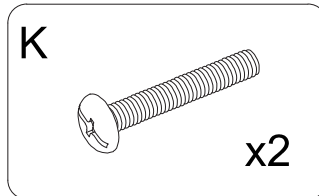
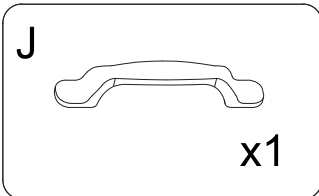
If you encounter any problems during installation, please contact our customer service.

20



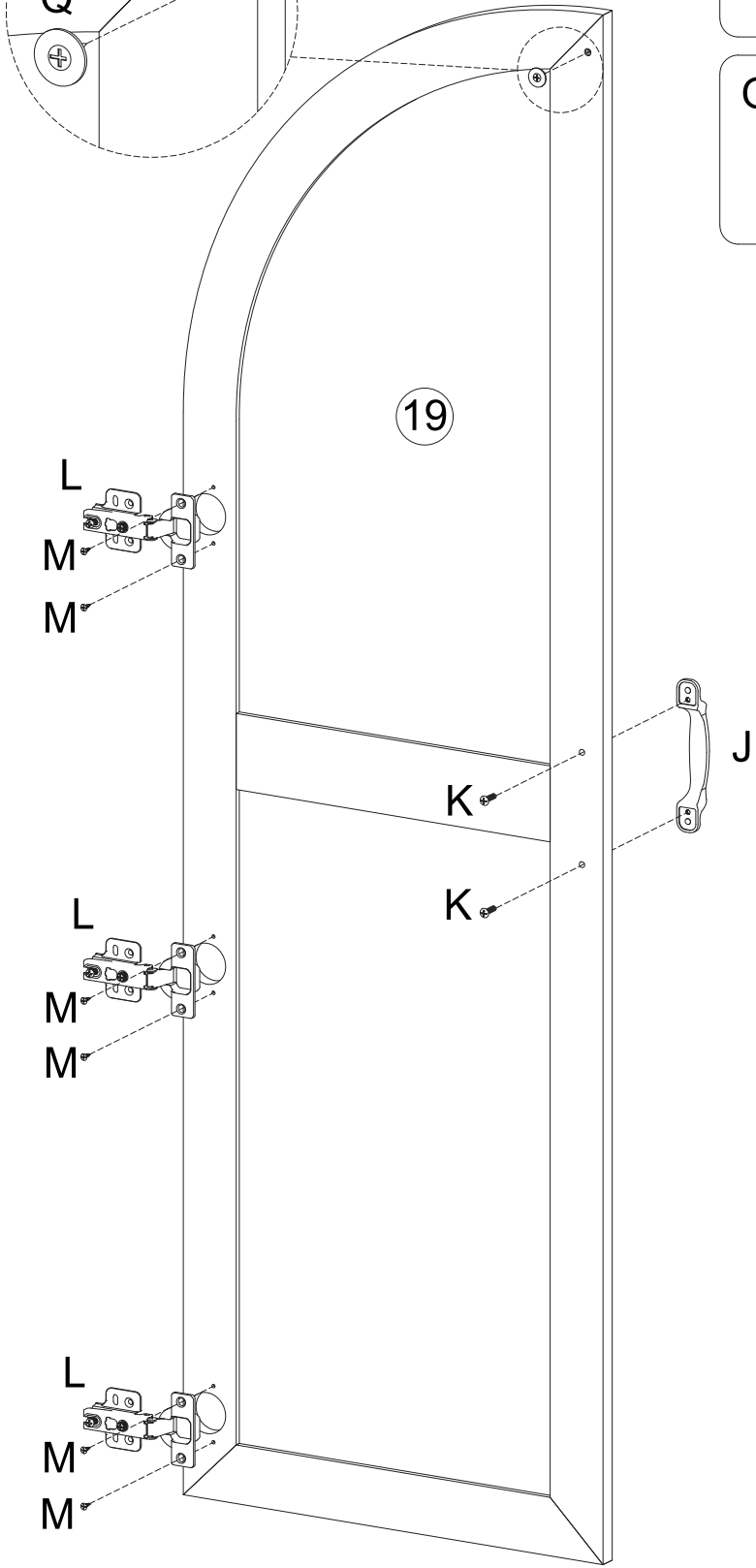
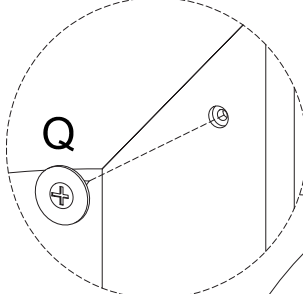
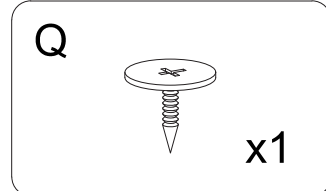
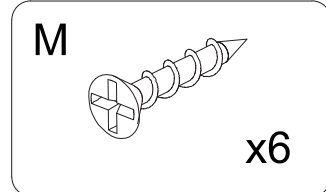
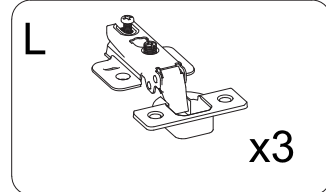
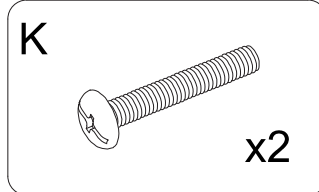
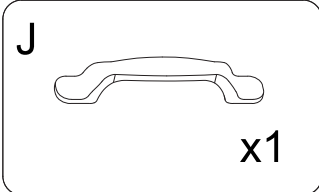
If you encounter any problems during installation, please contact our customer service.

21



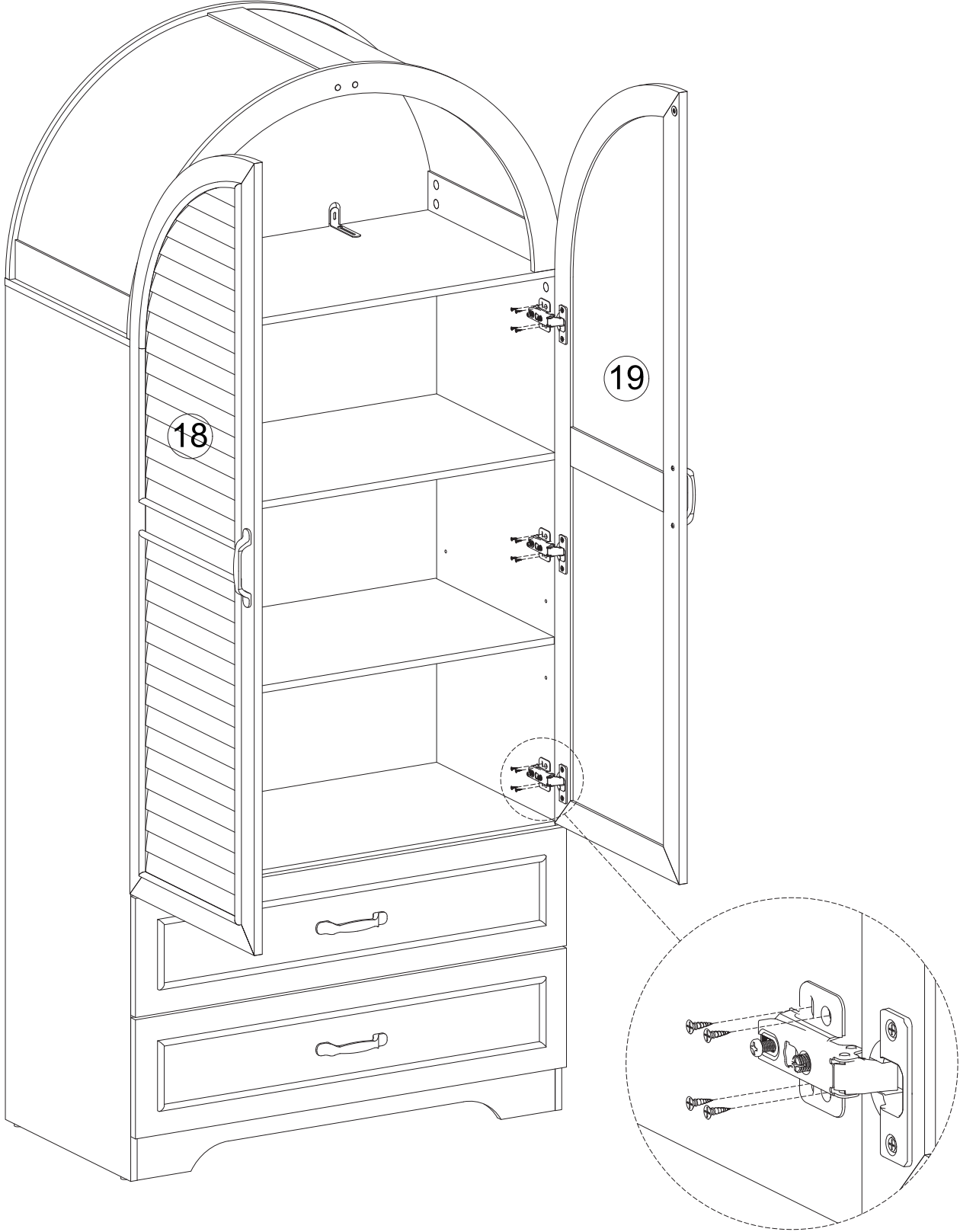
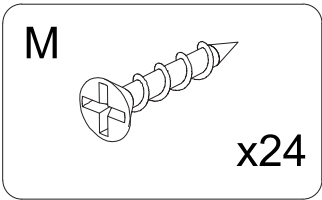
If you encounter any problems during installation, please contact our customer service.

22

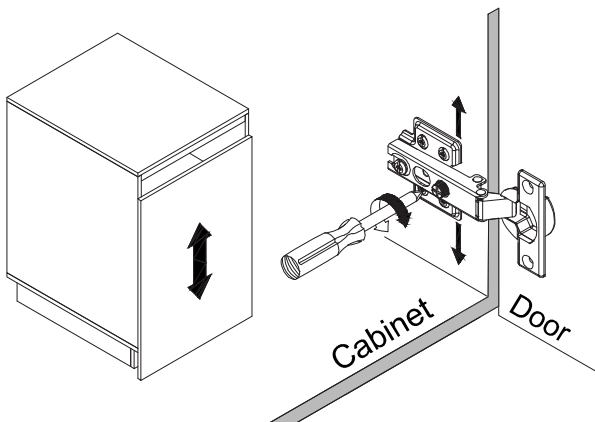
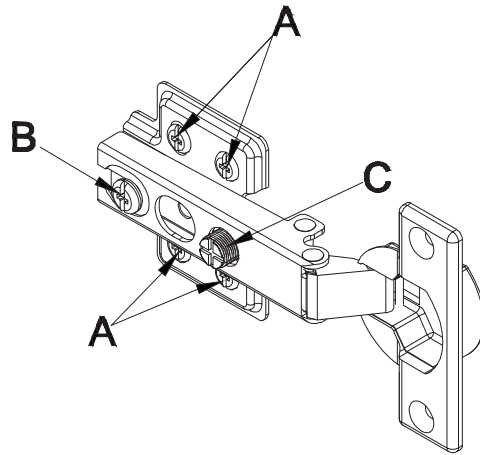


If you encounter any problems during installation, please contact our customer service.

23

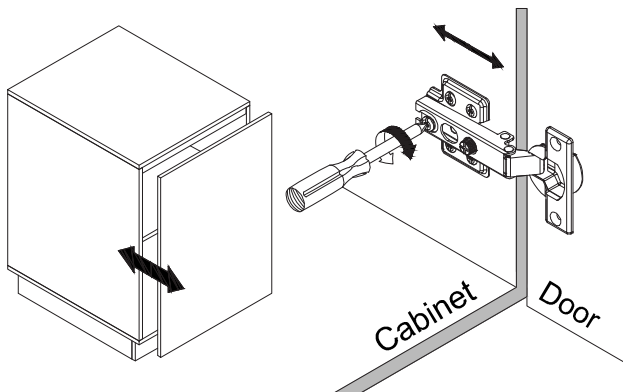


If you encounter any problems during installation, please contact our customer service.



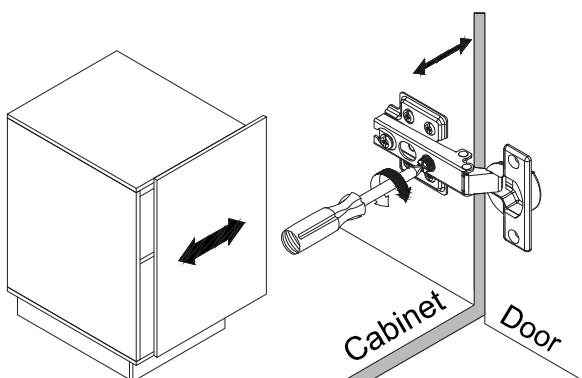
To adjust the vertical height.

Loosen the four screws "A" on both hinges. Two of them are usually in slotted holes which allows you to adjust up or down by a few mm. Then tighten back up.



To adjust depth.

Loosen screw "B" and adjust door, if the door can not be adjusted, please loosen screw "C", then try again. Tighten screw "B" and "C".



To adjust side ways.

Turning the screw "C" on BOTH hinges on each door.



If you encounter any problems during installation, please contact our customer service.