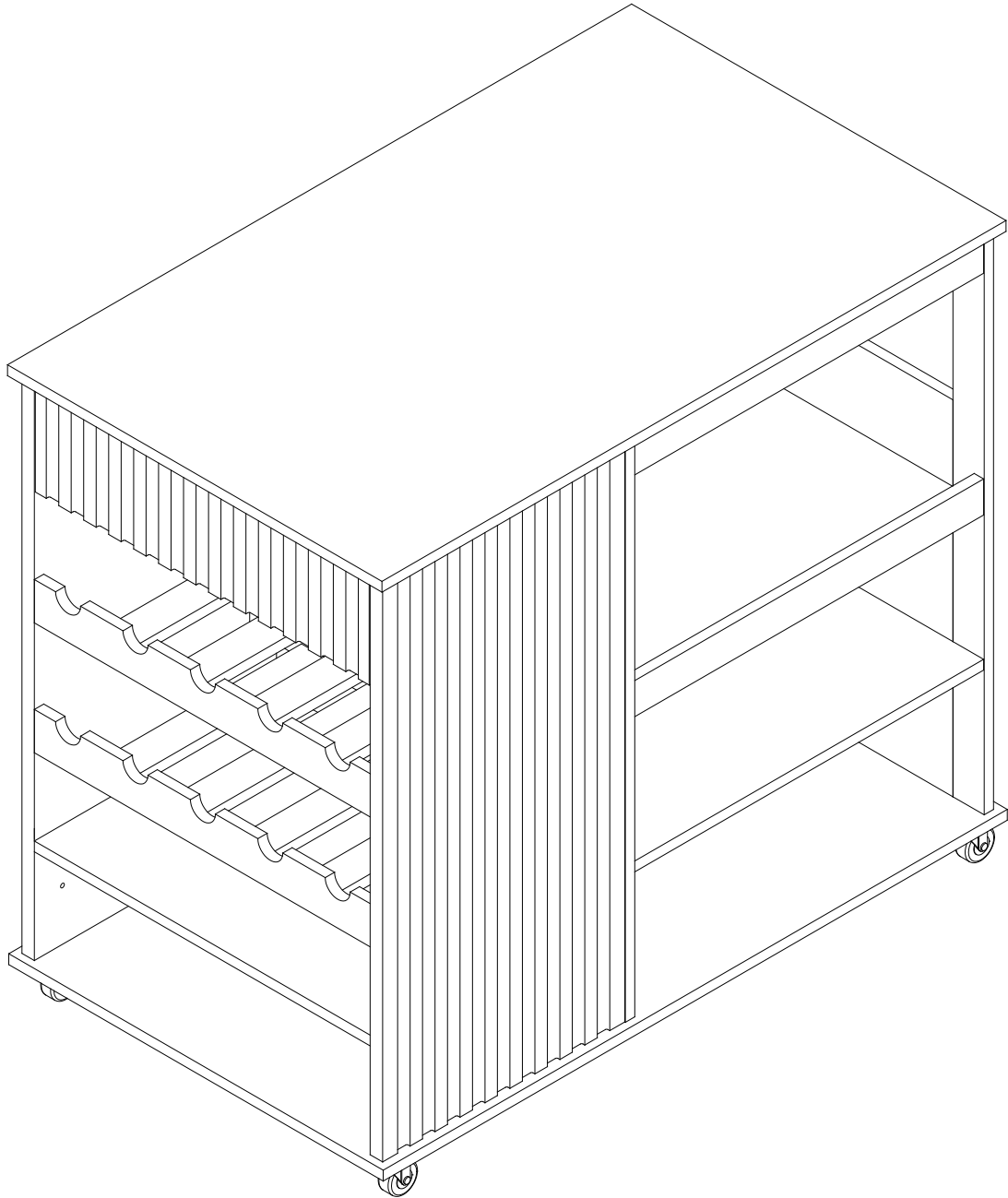


Installation Instruction



Product name

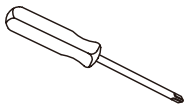
Kitchen Cart

Ver.1.0 20240615

Assembling

What you need

- Use the packaging carton as a working surface to prevent product damage during assembly
- Phillips head screwdriver



Weight Limitation



40

lbs table top

22

lbs per shelf

11

lbs per drawer



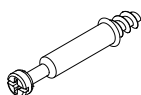
2 PERSONS

What 's included

Code	Description	Qty
A	Cam Bolt M6X35MM	83
B	Cam Lock 15X10MM	83
C	Wooden Dowel M6X30MM	78
D	Screw M4X35MM	13
E	Screw M3X12MM	12
F	Slide Sets	1
G	Bolt M6X12MM	20
H	Wheel	3
I	Stoppable Wheel	2
J	Metal Support	4
K	Allen Key	1
L	Wooden Dowel M6X50MM	6

The hardware

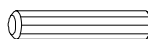
(A)



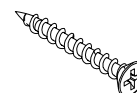
(B)



(C)



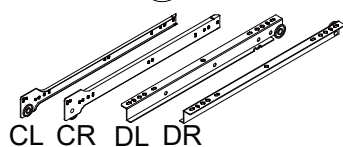
(D)



(E)



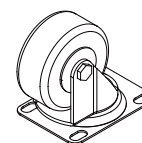
(F)



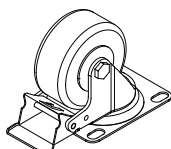
(G)



(H)



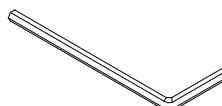
(I)



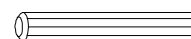
(J)



(K)



(L)



IMPORTANT :

1. Do not tighten bolts / screws completely until all bolts / screws are lined up and inserted into holes.
2. Do not over tighten screws and bolts to avoid stripping.
3. Please use hand tools to assemble this product. Do not use power tools.
4. Must need 2 people to assemble this product.

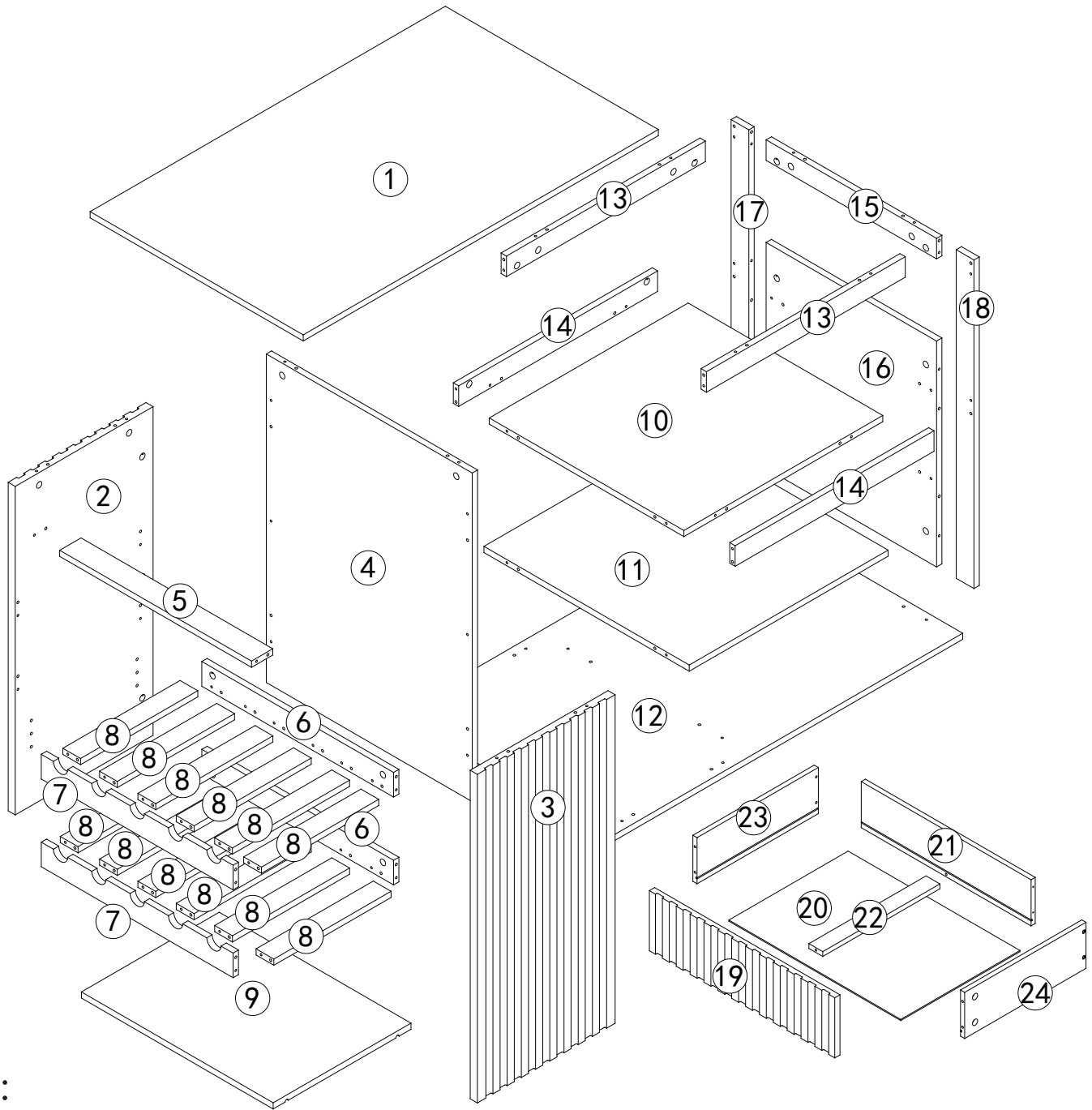


2 PERSONS

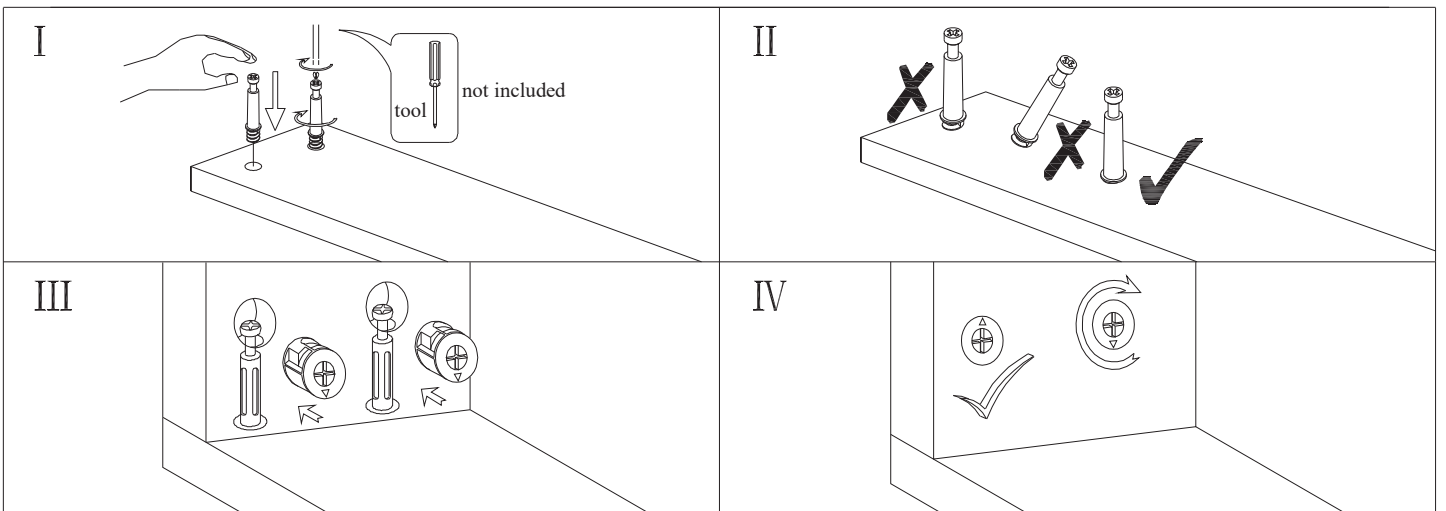
Included Accessories

Code	Description	Qty
1	Cabinet Top	1
2	Left Back Panel	1
3	Left Front Panel	1
4	Partition Panel	1
5	Left Side Support Panel	1
6	Support Panel	2
7	Support Panel With Groove	2
8	Small Battens	12
9	Left Shelf	1
10	Right Upper Shelf	1
11	Right Middle Shelf	1
12	Bottom Panel	1
13	Right Top Stretcher	2
14	Right Middle Stretcher	2
15	Right Side Top Stretcher	1
16	Right Side Panel	1
17	Right Side Back Stretcher	1
18	Right Side Front Stretcher	1
19	Drawer Front Panel	1
20	Drawer Bottom Panel	1
21	Drawer Back Panel	1
22	Drawer Bottom Support Panel	1
23	Drawer Left Side Panel	1
24	Drawer Right Side Panel	1

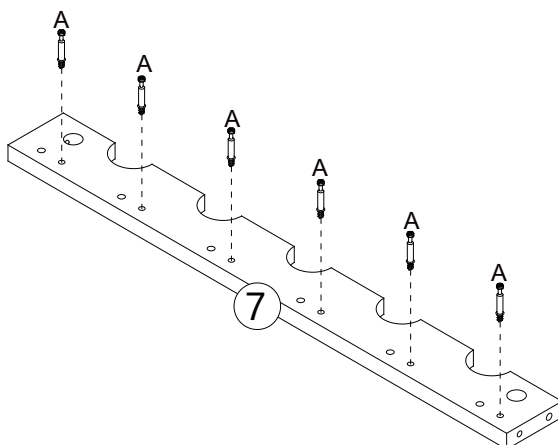
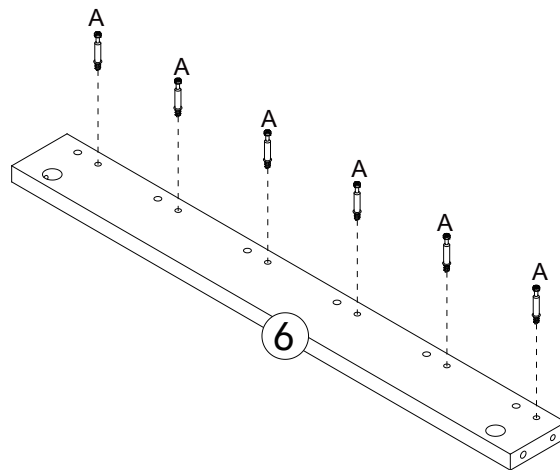
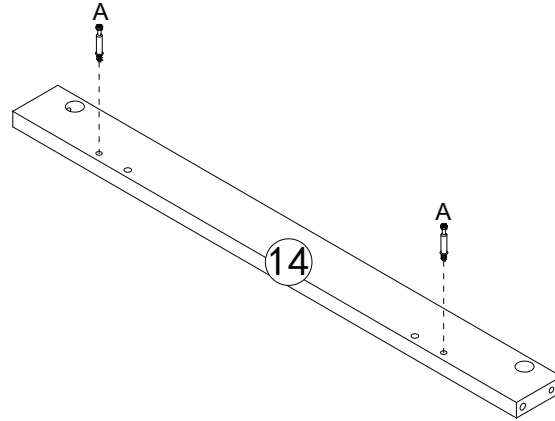
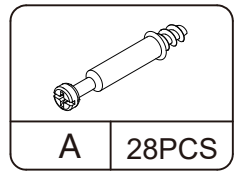
The Accessories



Noted:





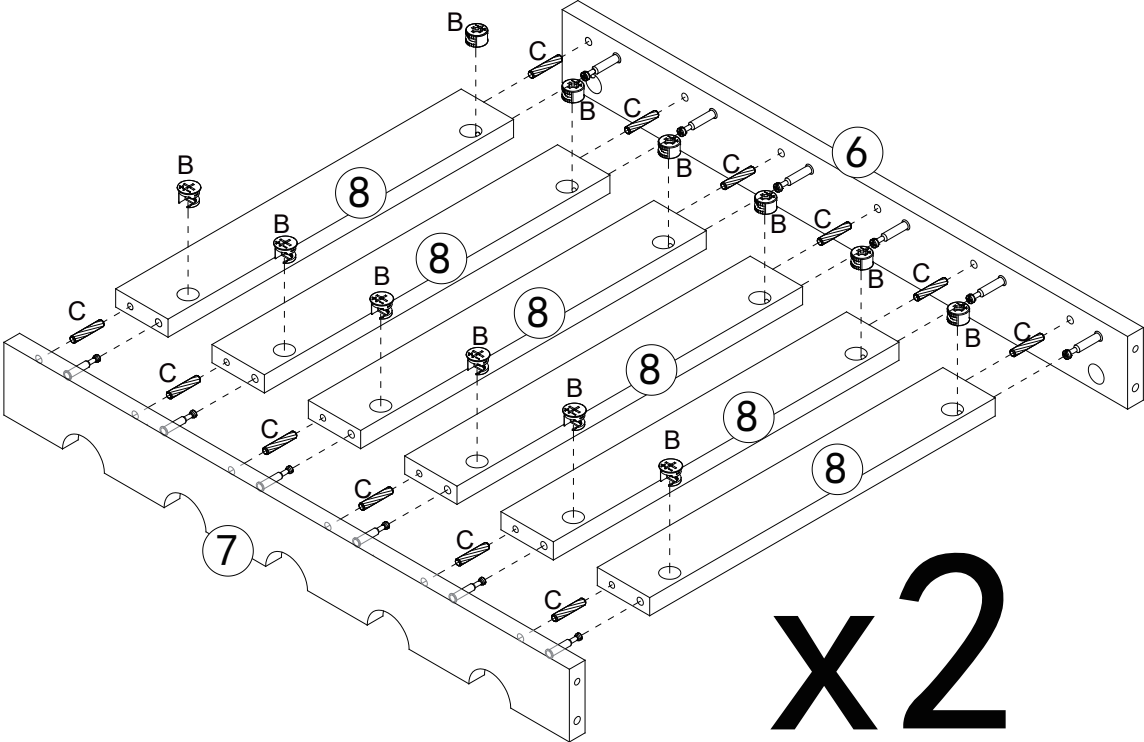
Step 1



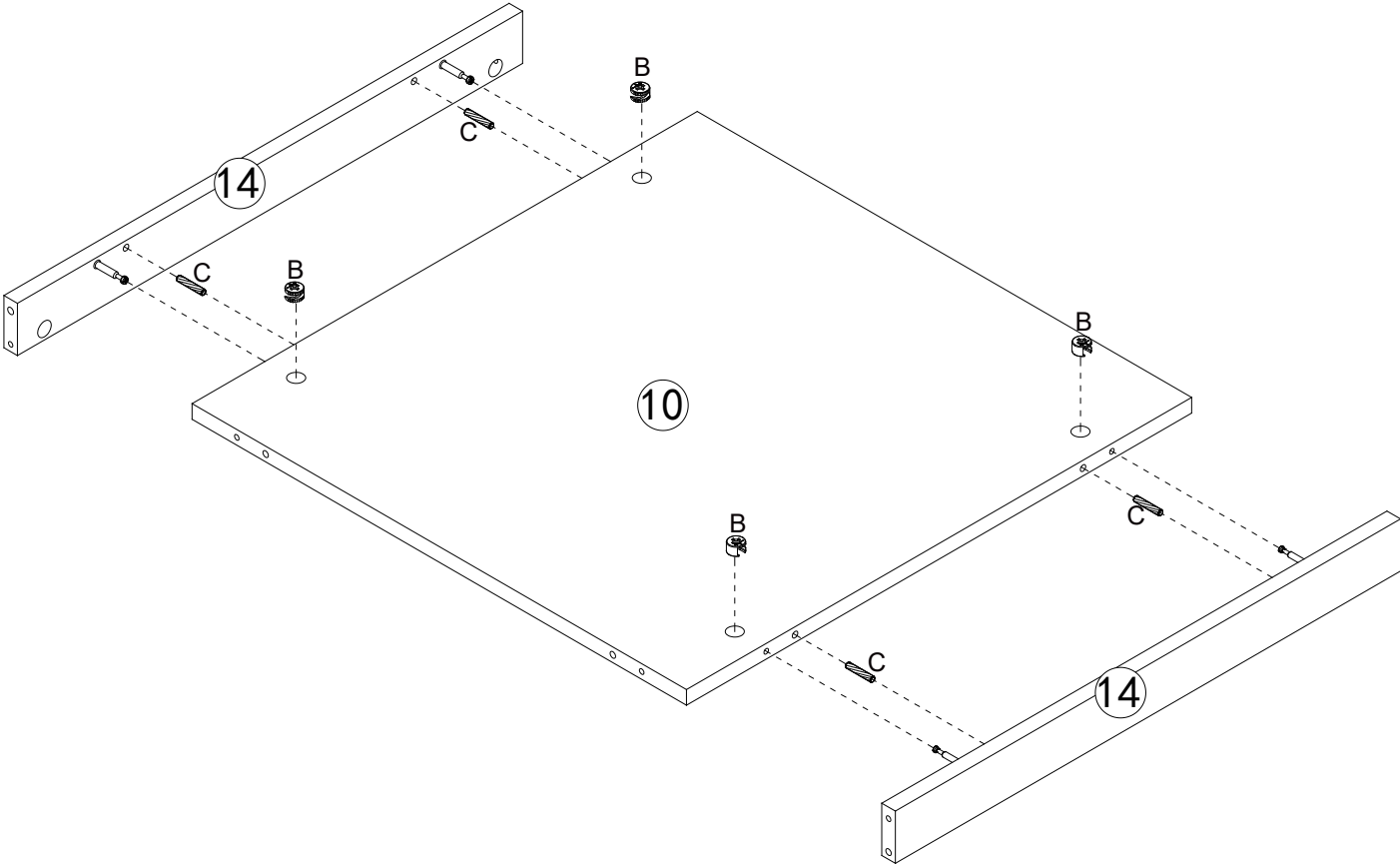
x2

Step 2

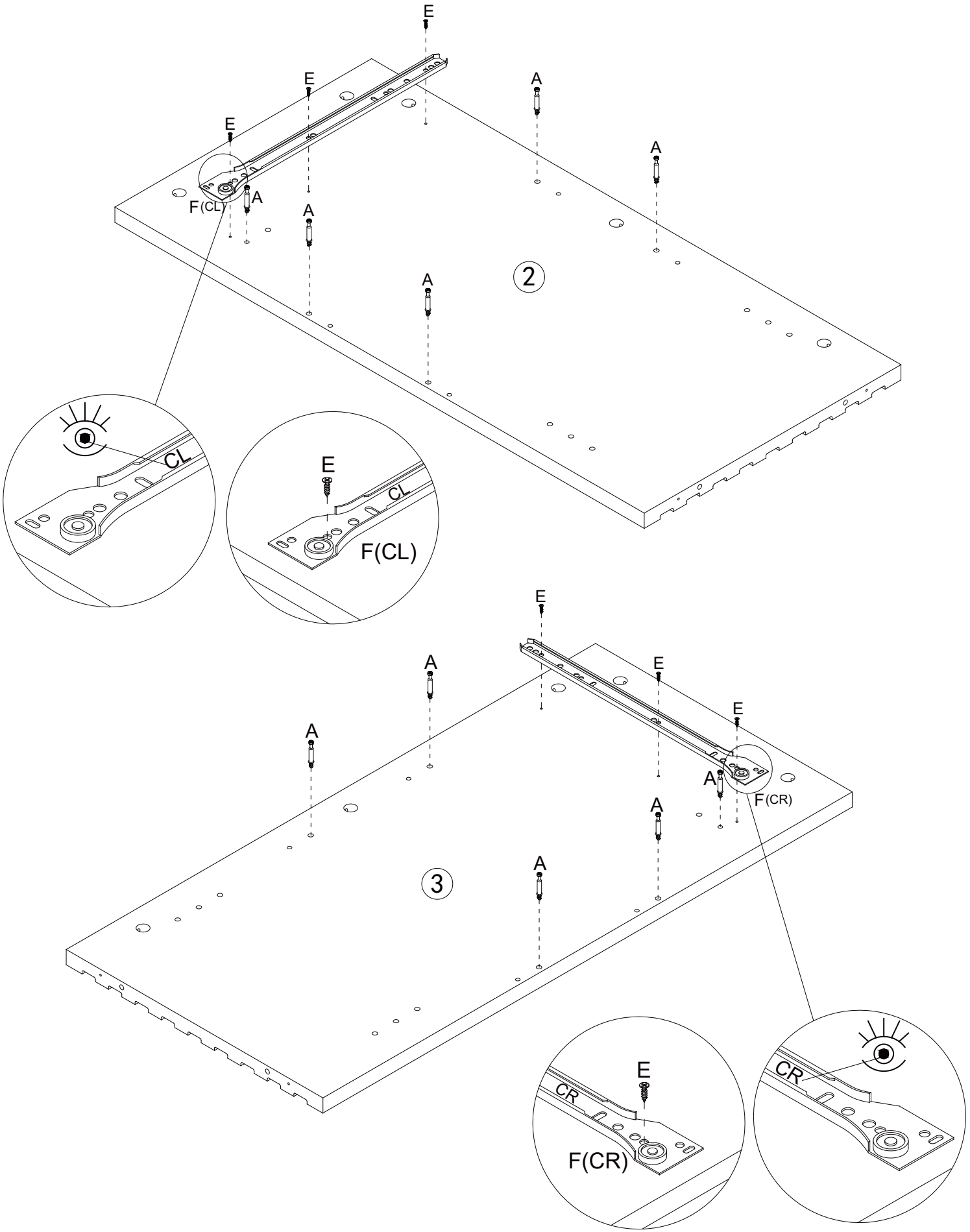
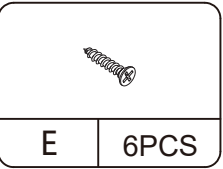
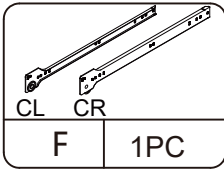
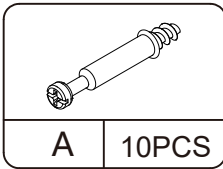
	
C	28PCS
B	28PCS



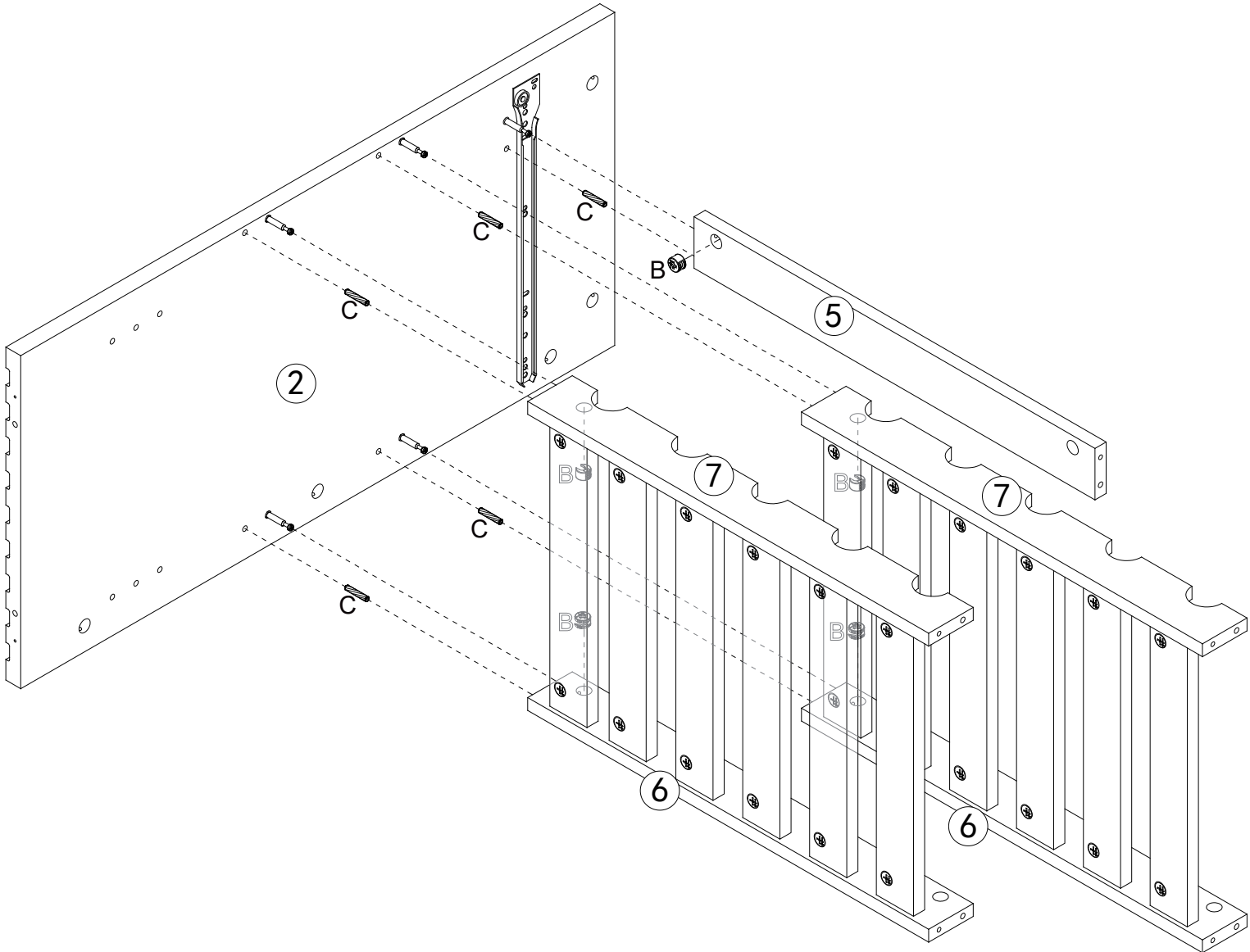
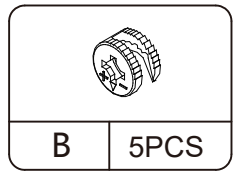
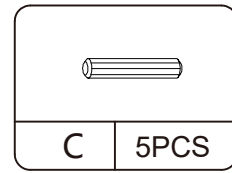
x2



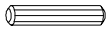

Step 3

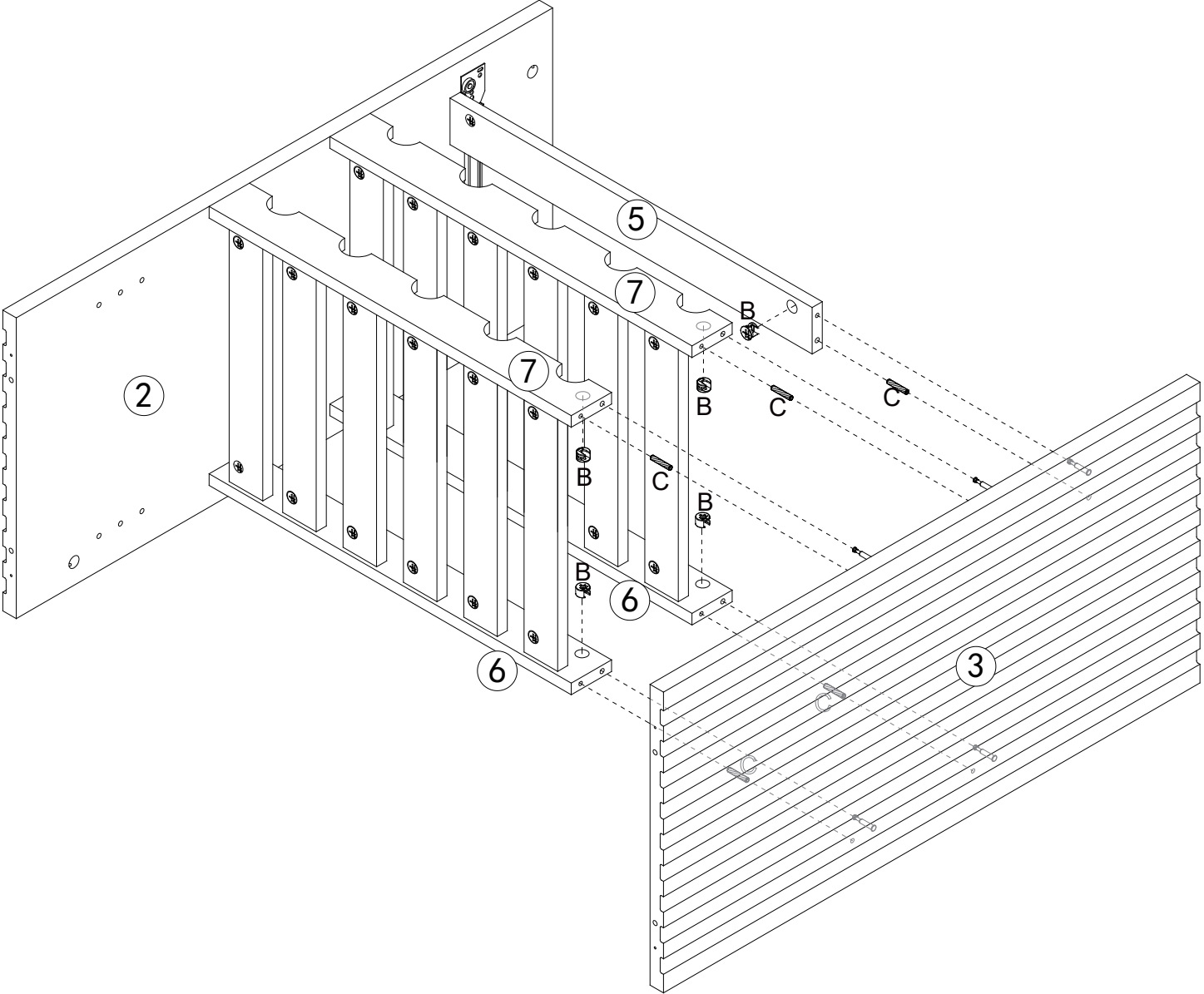


Step 4

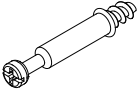


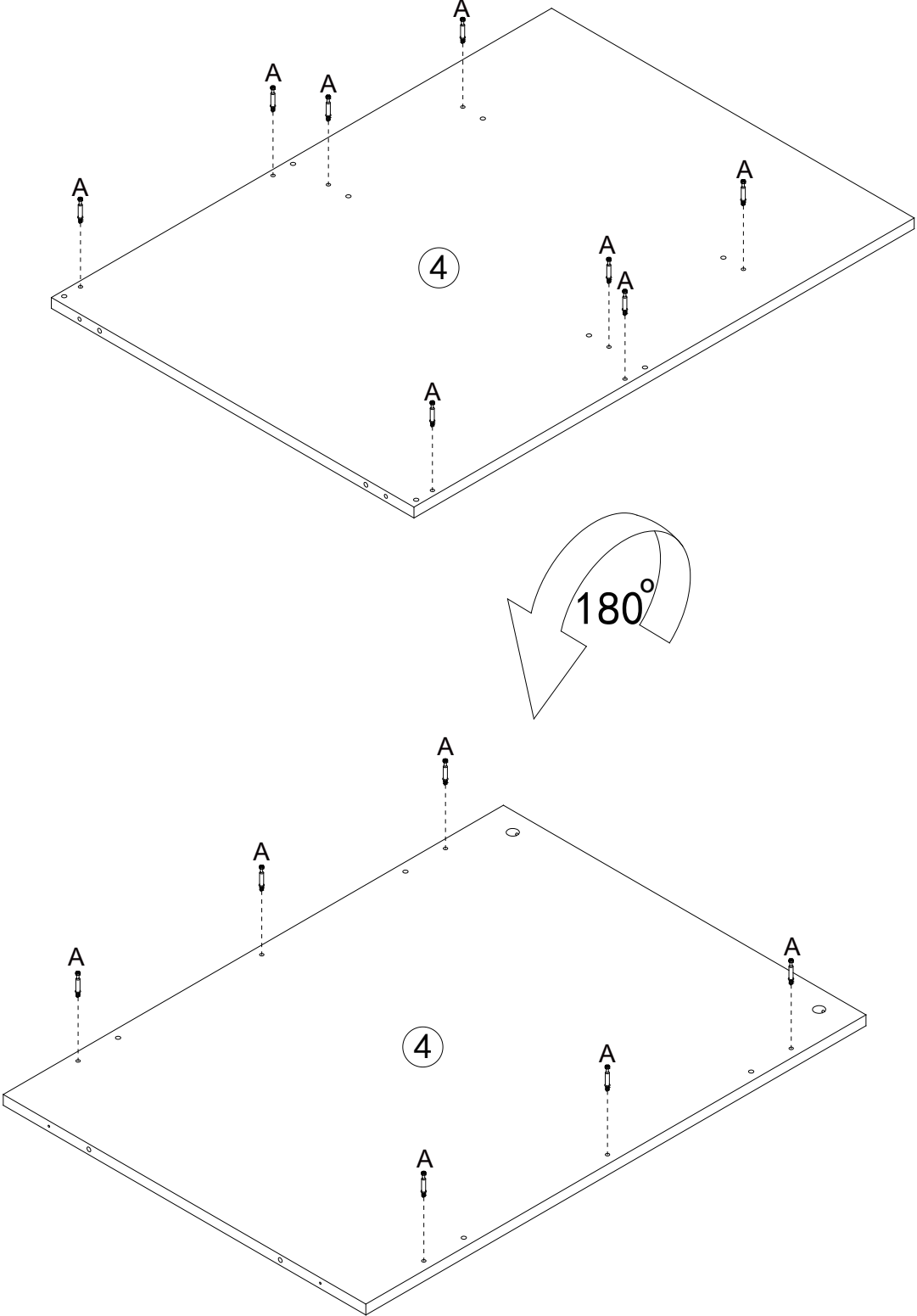
Step 5

			
C	5PCS	B	5PCS

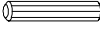



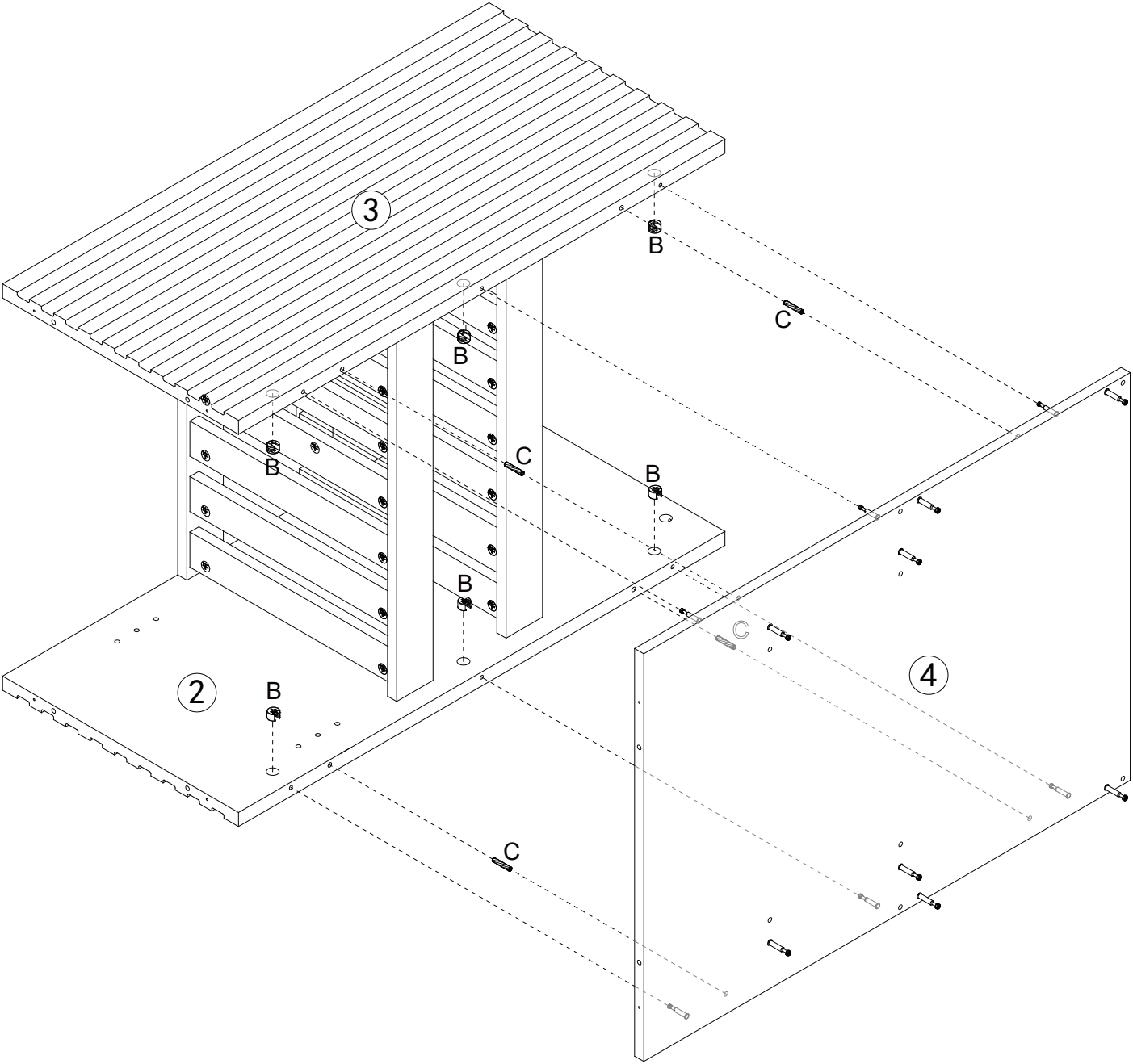
Step 6

	
A	14PCS

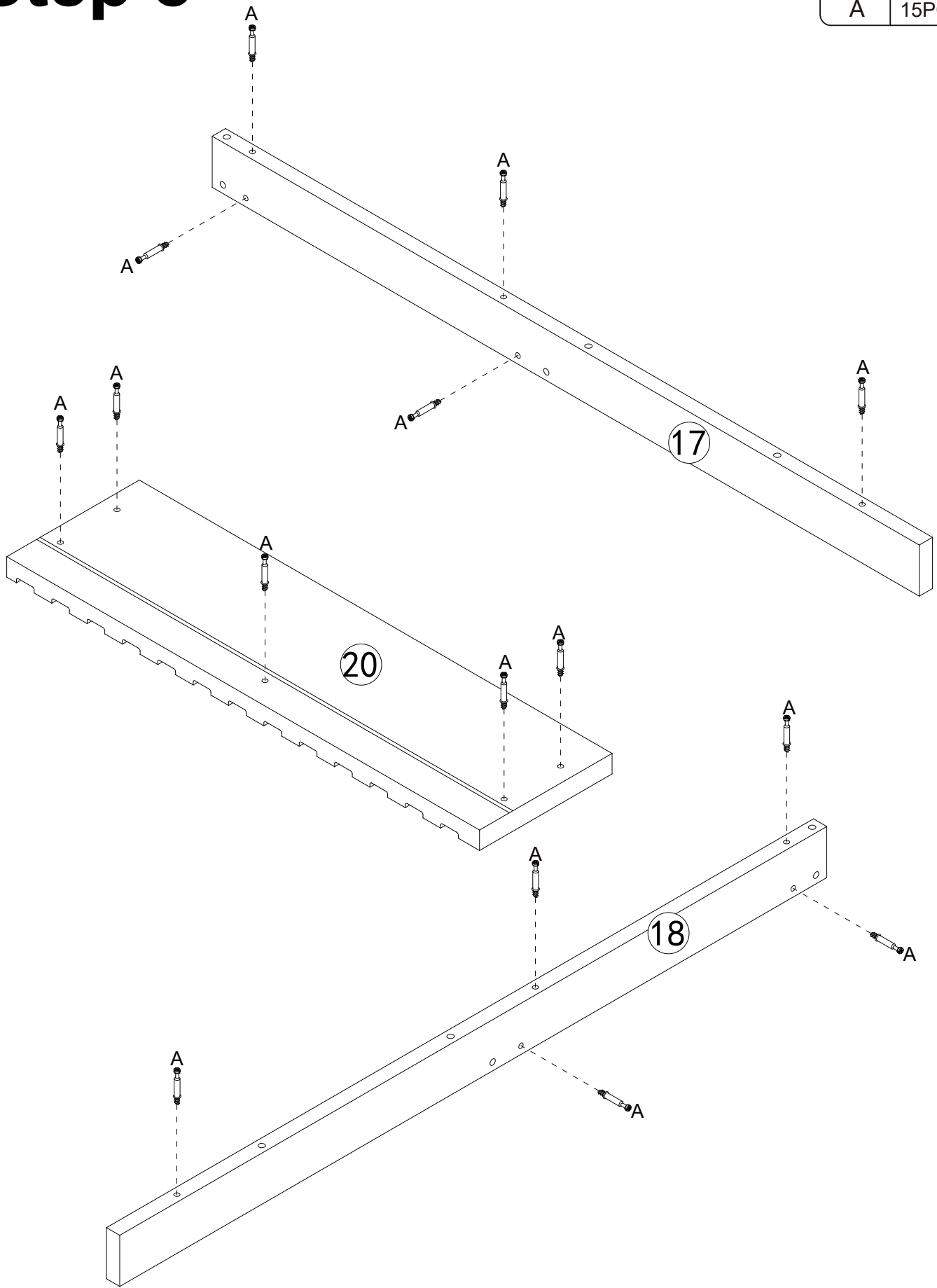
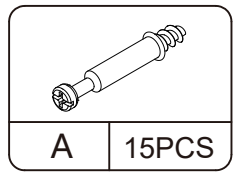


Step 7

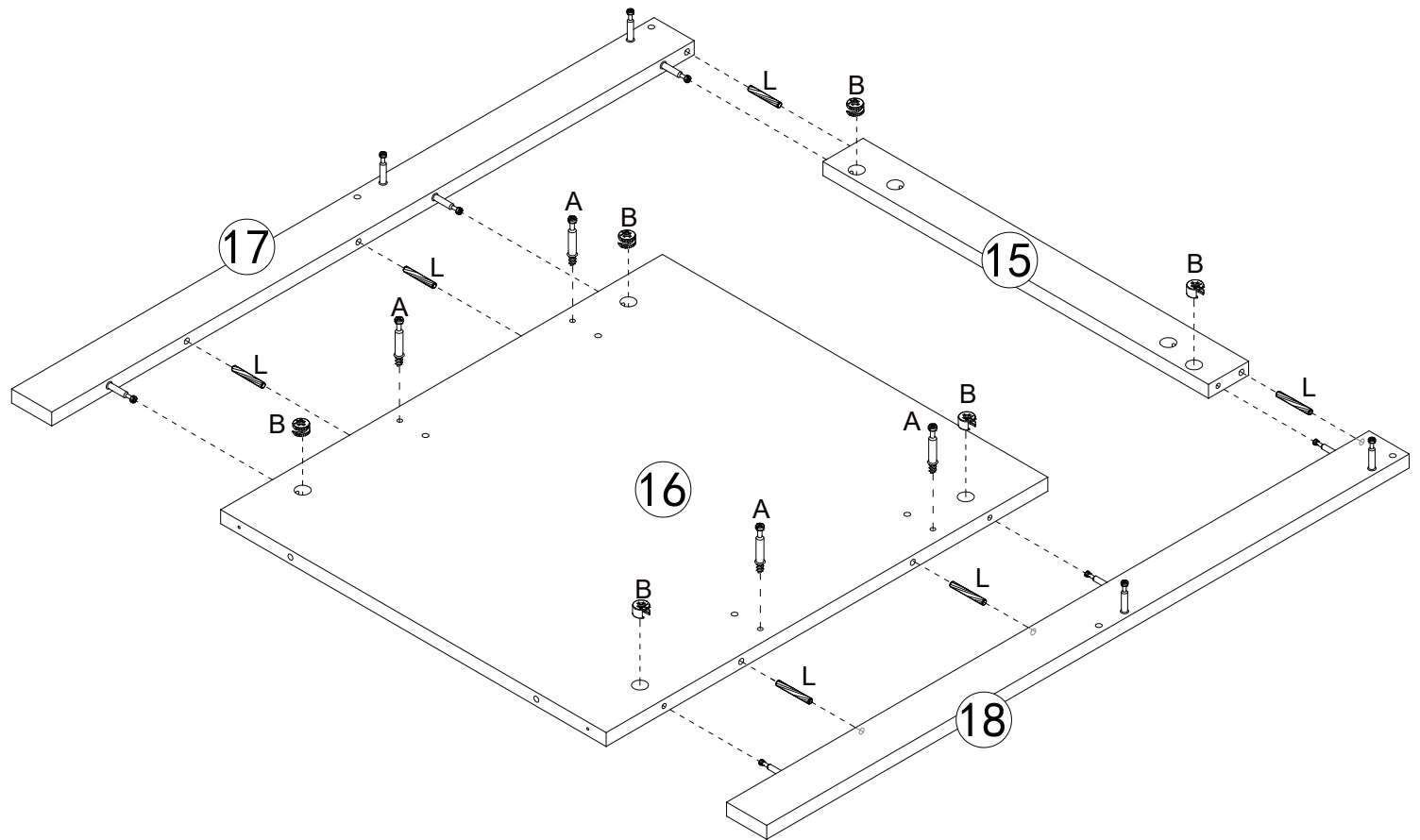
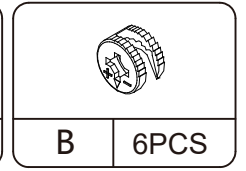
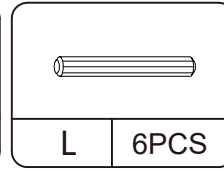
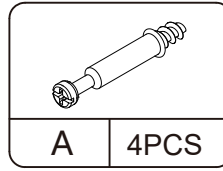
	
C	4PCS
B	6PCS



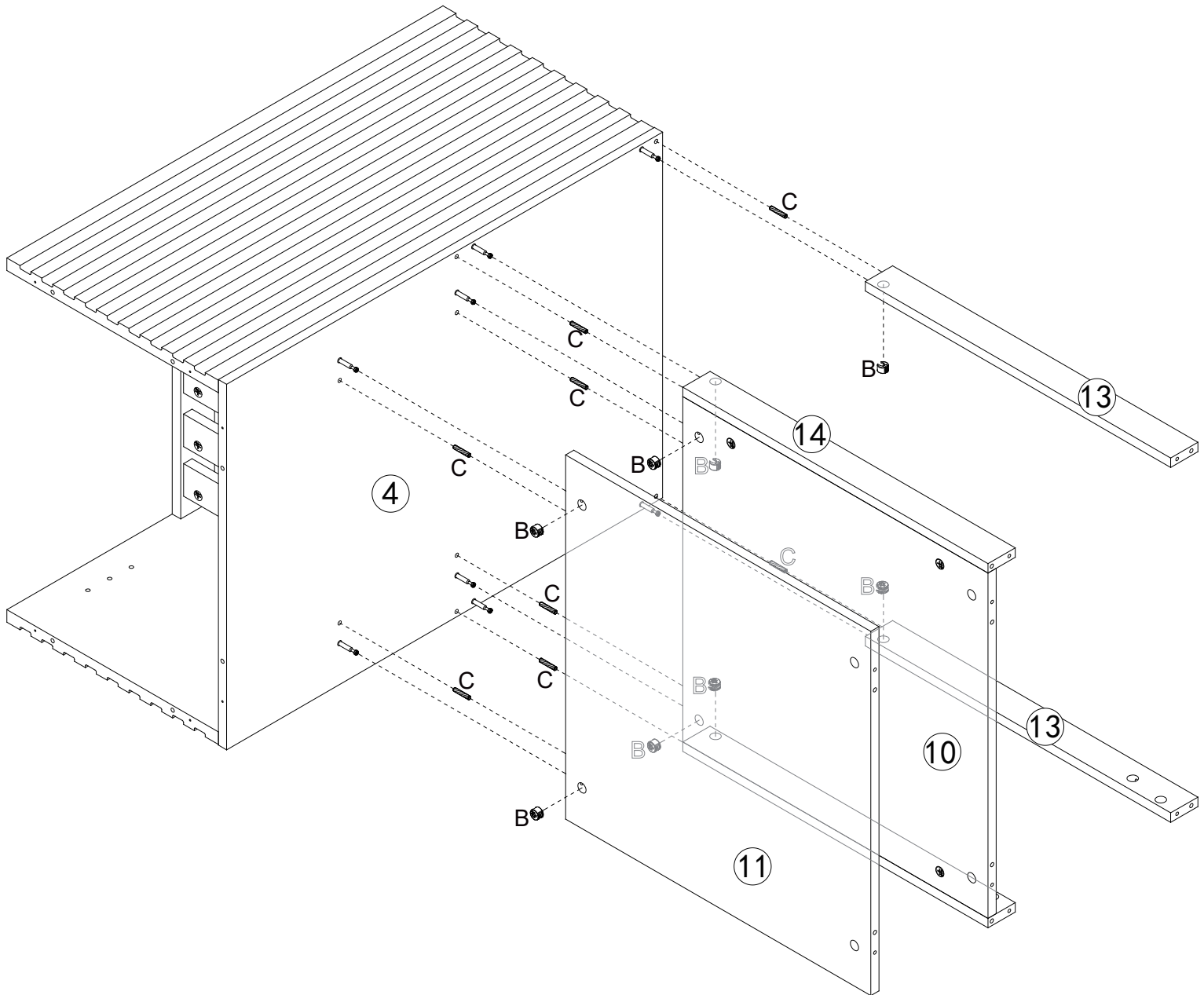
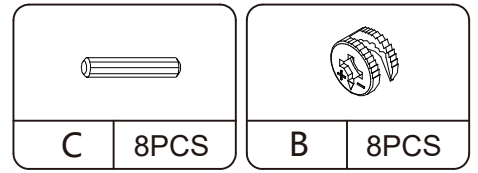
Step 8



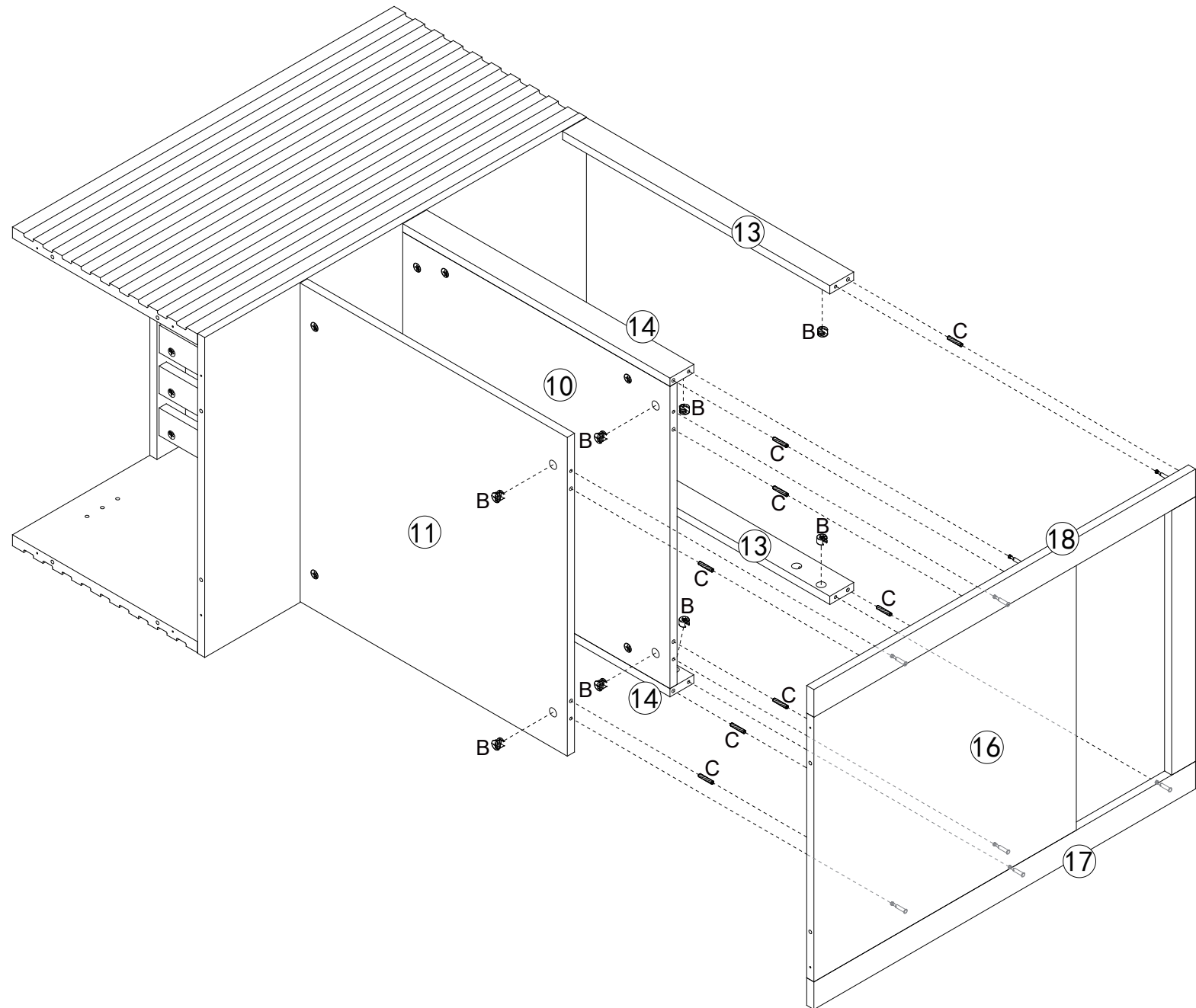
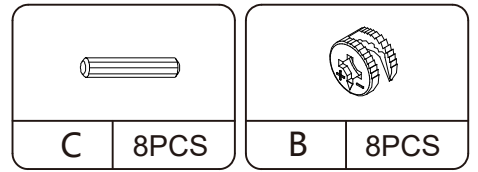
Step 9



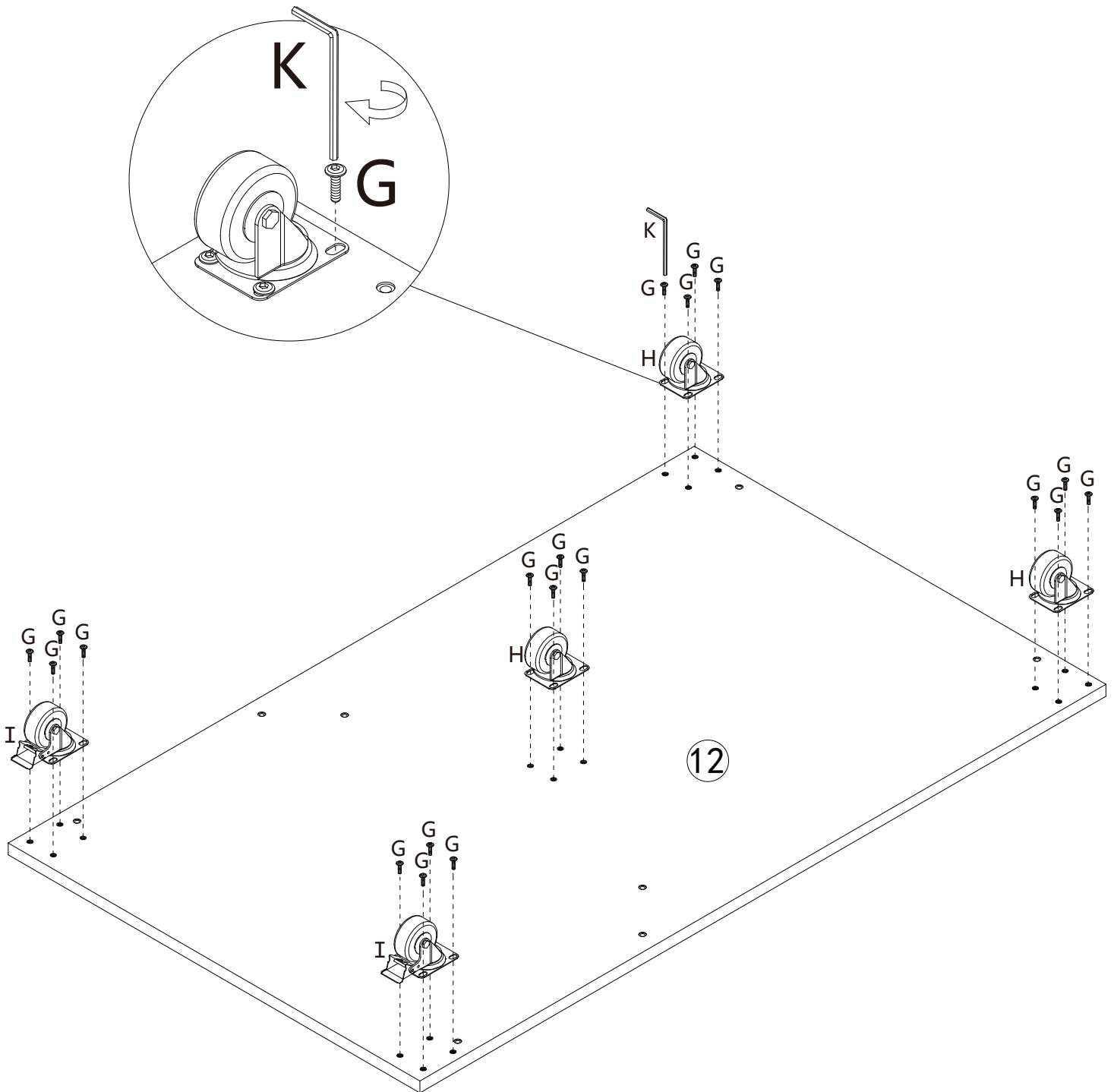
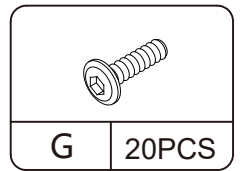
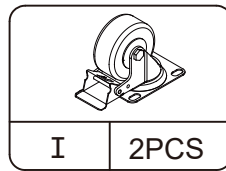
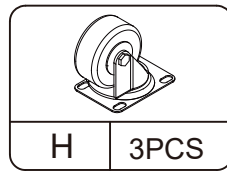
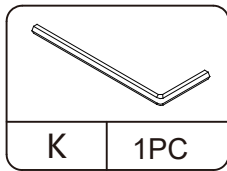
Step 10




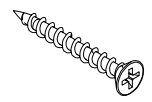
Step 11

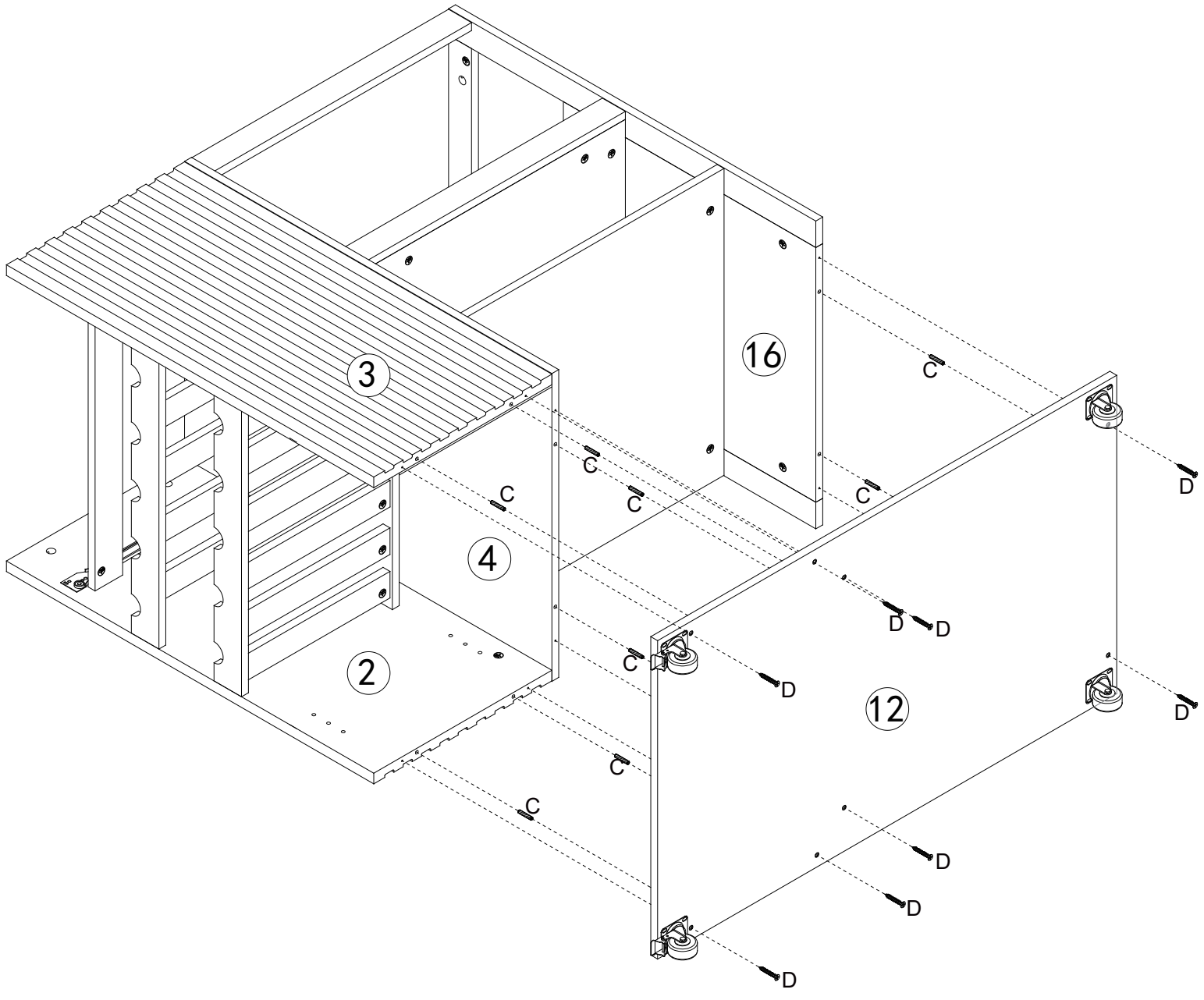


Step 12

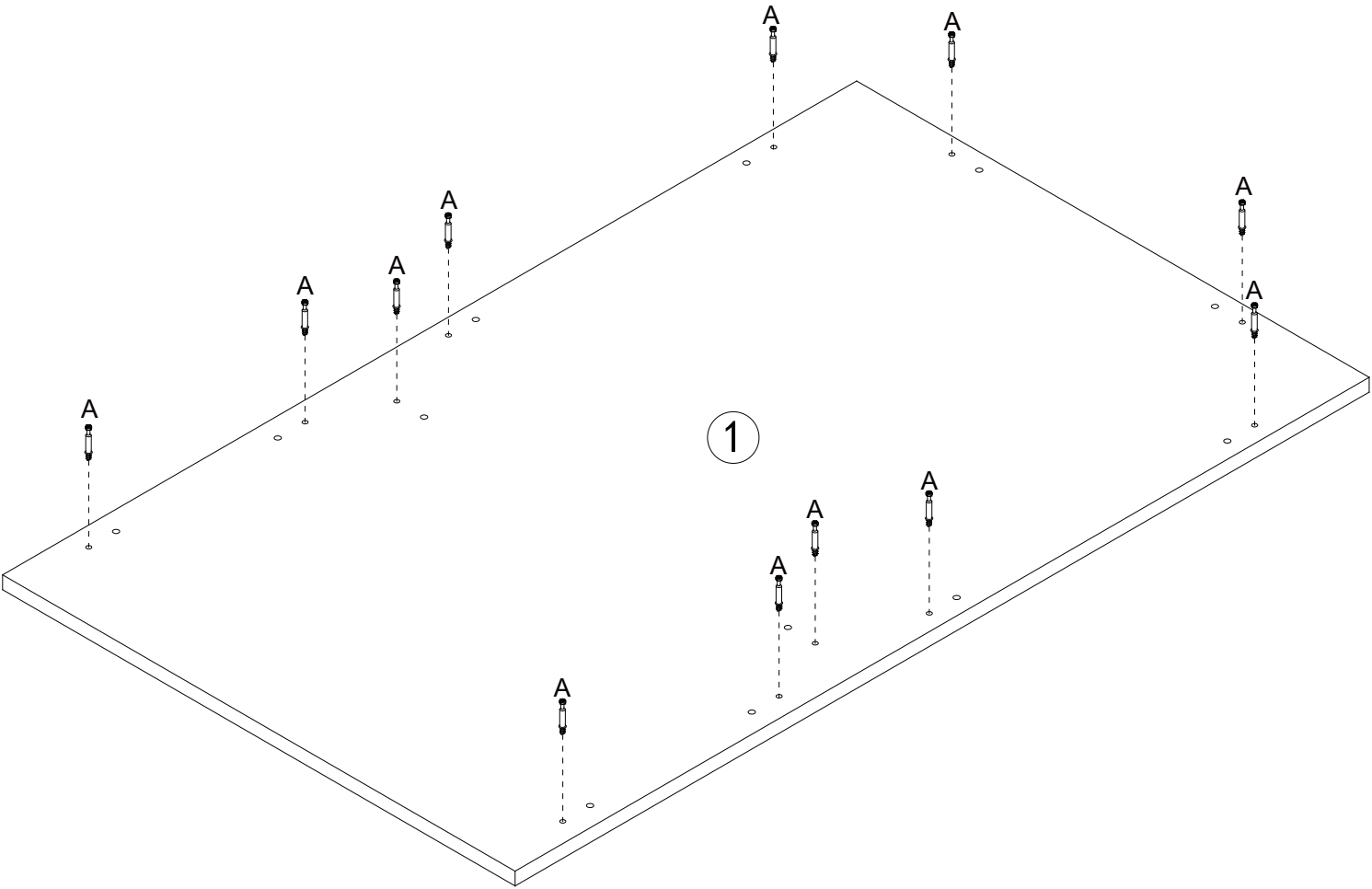
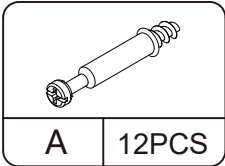


Step 13

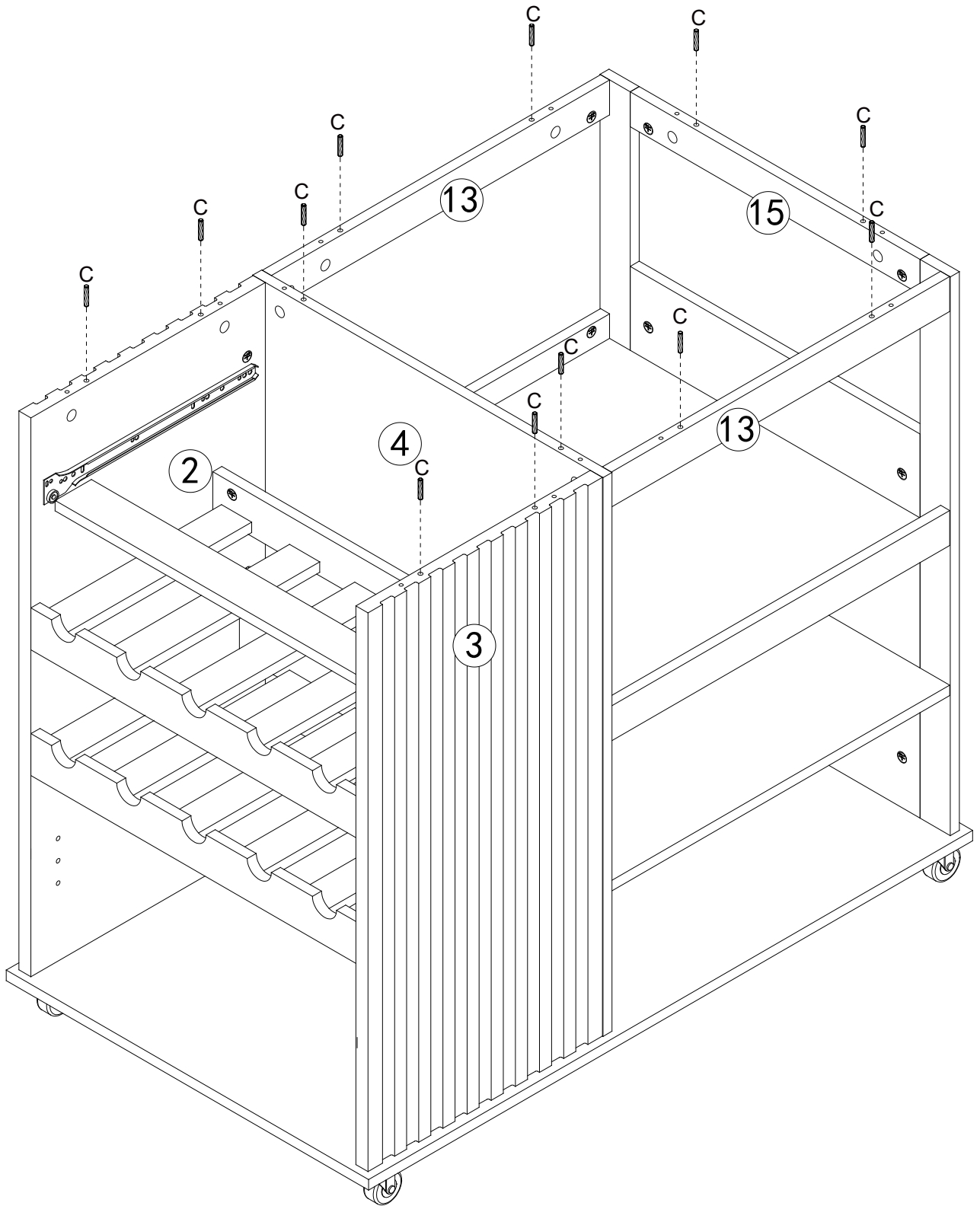
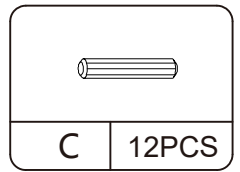
			
C	8PCS	D	8PCS




Step 14

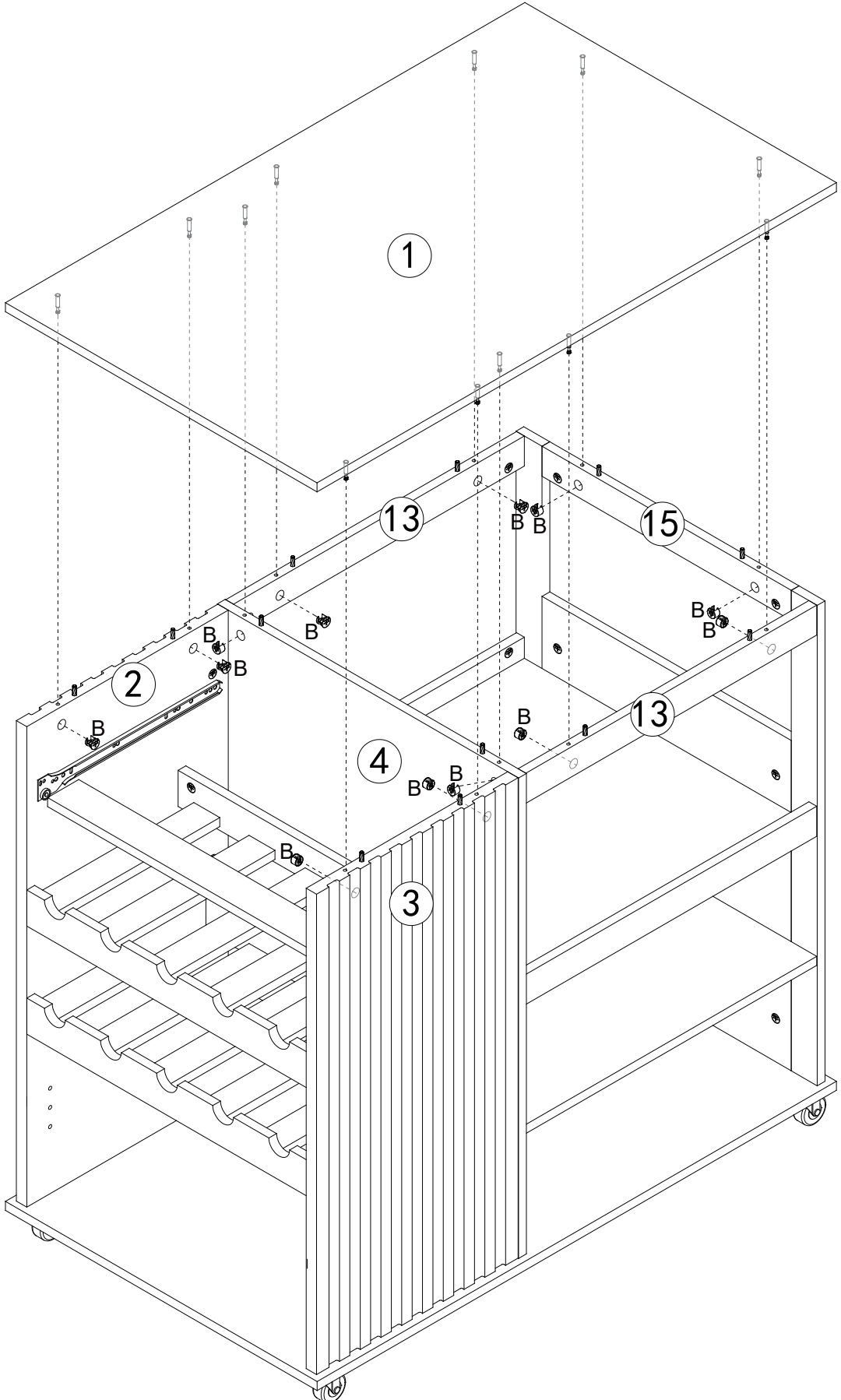


Step 15

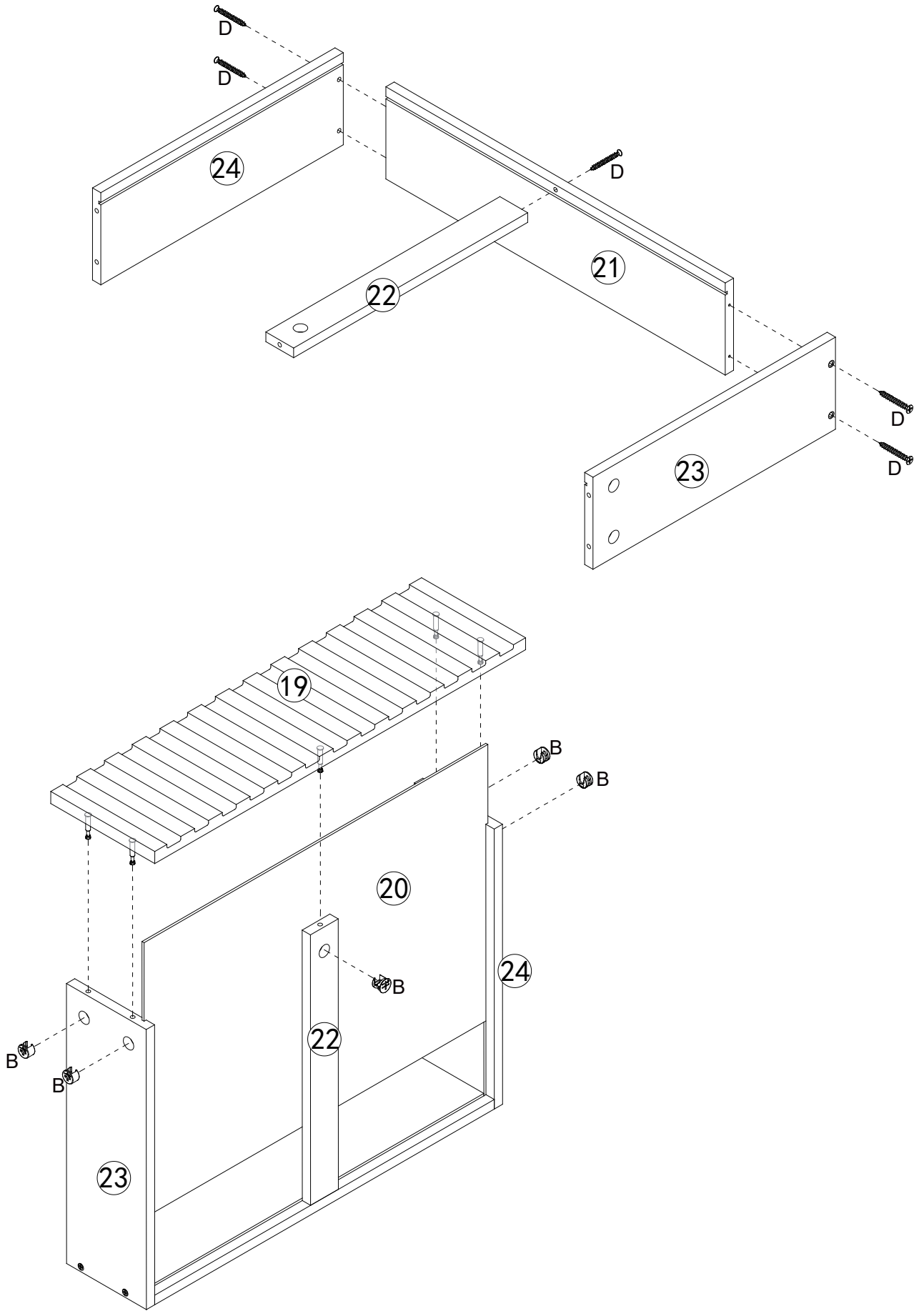
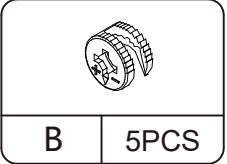
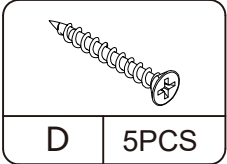


Step 16

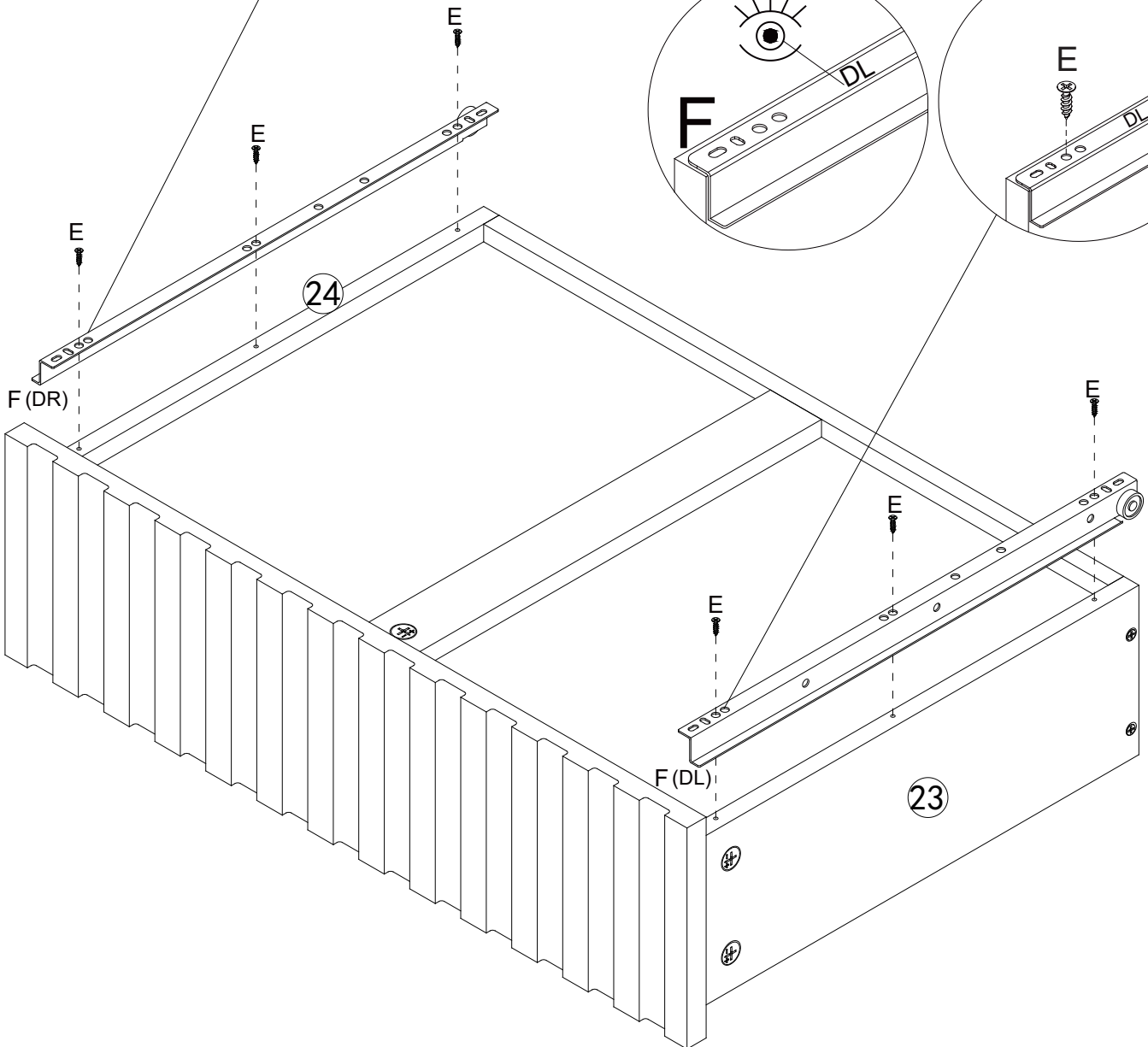
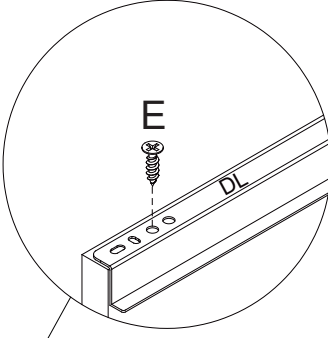
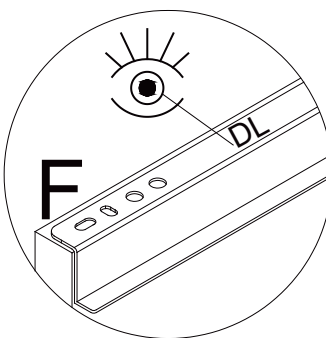
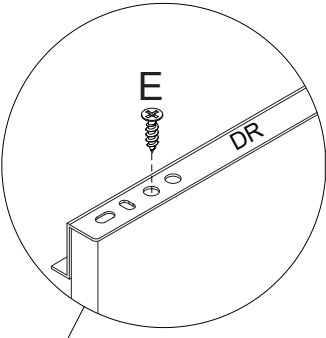
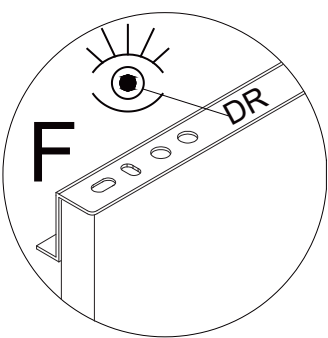
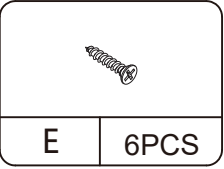
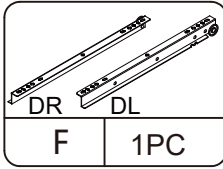
	
B	12PCS




Step 17

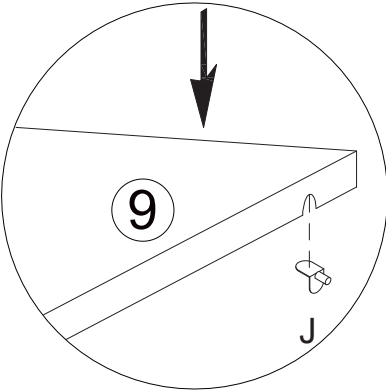
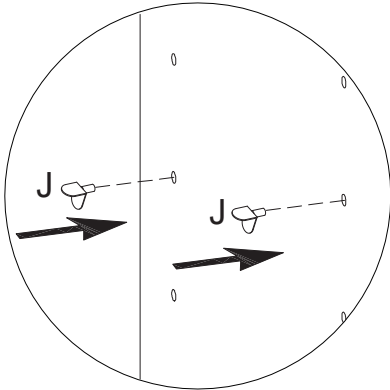
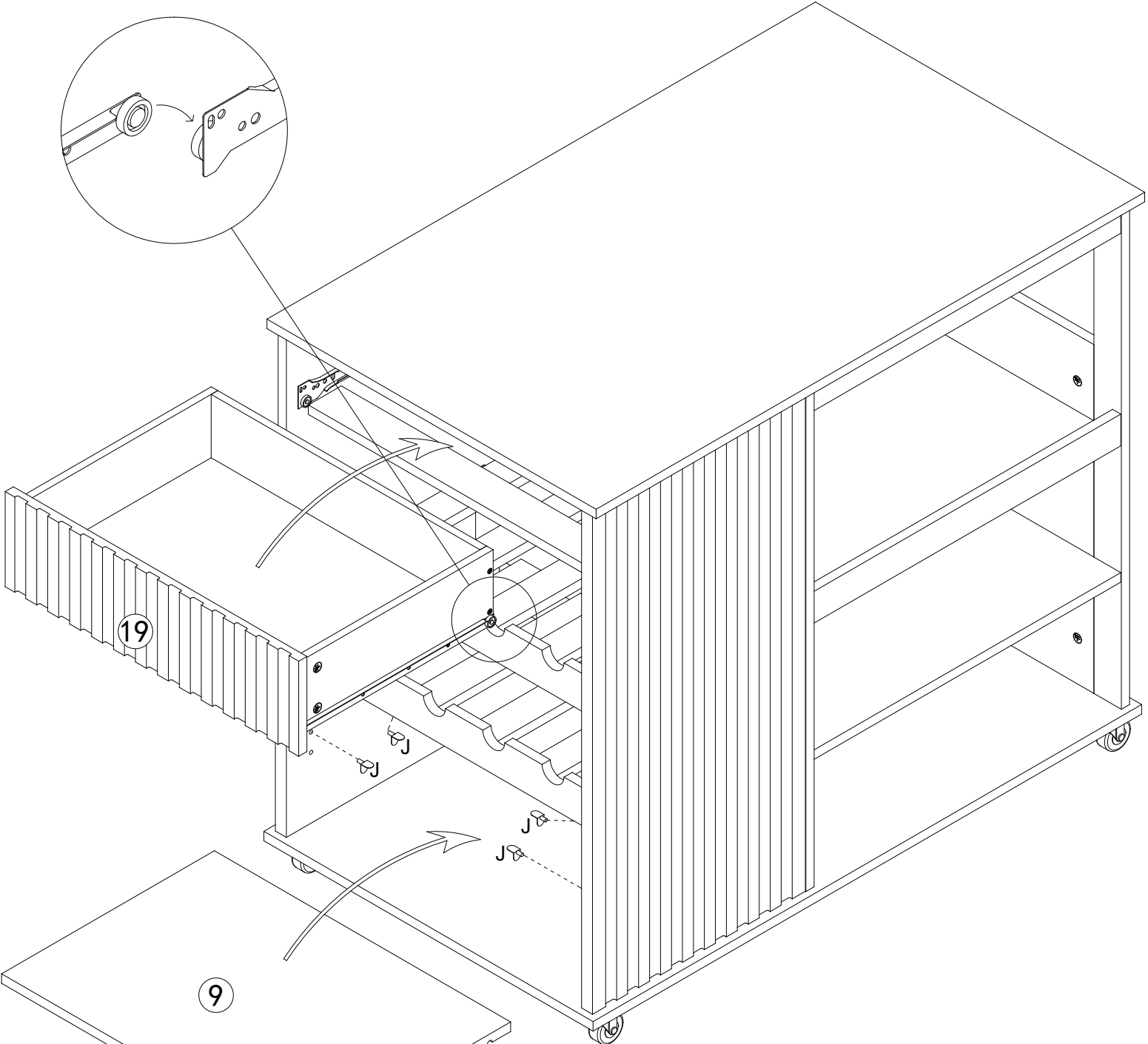


Step 18



Step 19

	
R	4PCS



Proper Use

- DO NOT** use for commercial purposes
- DO NOT** use as a step stool or stand on table
- DO NOT** put hot serving liquid directly on the table top
- DO NOT** leave spilled liquid on the table top
- DO NOT** use table if damaged
- DO NOT** exceed weight limit
- DO NOT** make temporary repairs
- DO NOT** use outdoor

Dear Customer:

Thank you for purchasing our product,we wish you satisfy our service,if you have any further questions or any quality issues,please show the belows number and don't hesitate to contact our Customer Service People.