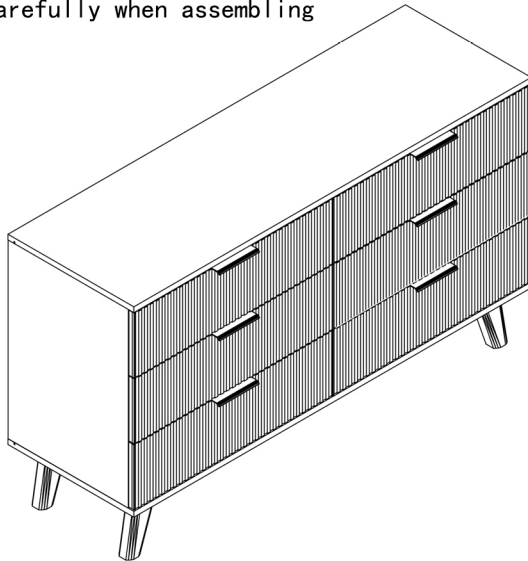
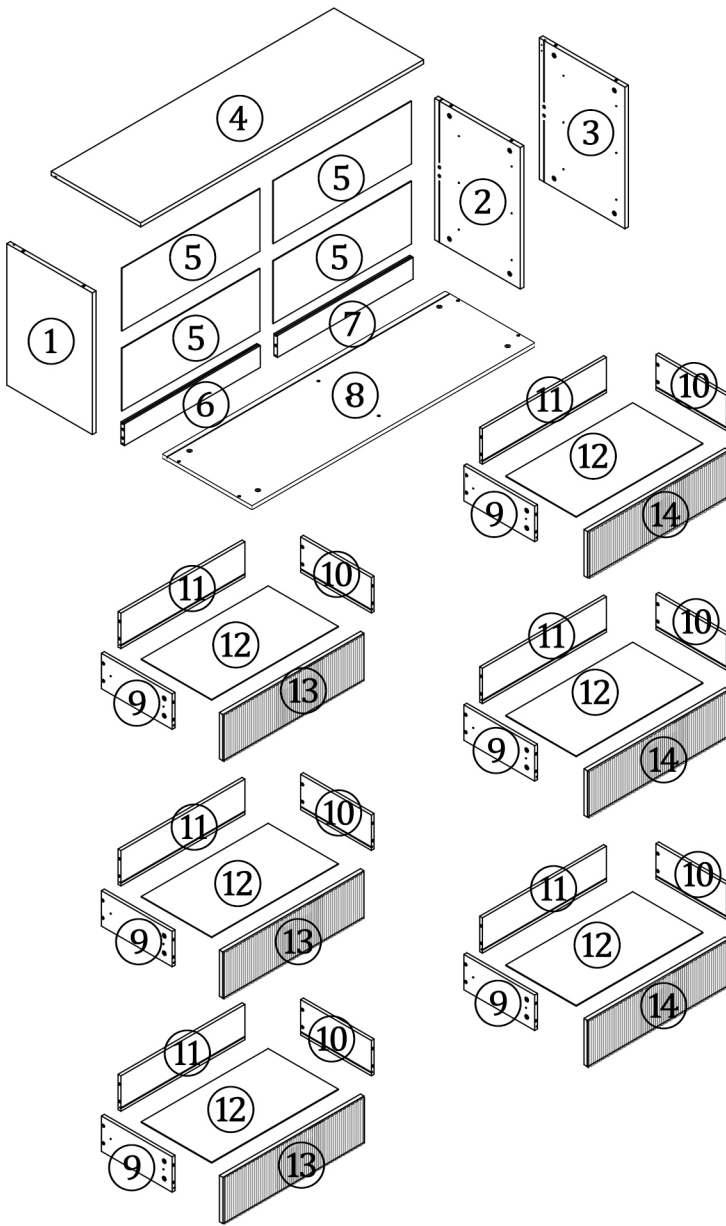


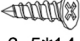
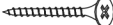
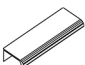
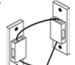









ASSEMBLY INSTRUCTION

- Please follow the instructions to assemble the items correctly.
- Please ensure the safety of the glass when assembling.
- Do not make the screws too loose or too tight.
- As shown in the figure, Insert the screw into the hole.
The arrow in the picture, Then rotate 90° or 180° clockwise.
- The accessory bag contains some small accessories, which should be kept away from children.
- The remaining parts are spare parts.
- Warm reminder white backboard please install the white side inward
- The operating instruction of RGB light is included in the package , please read it carefully when assembling

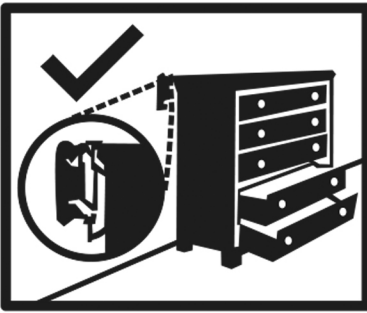
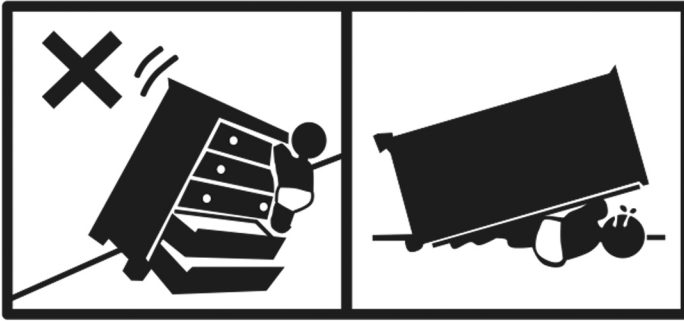




A  43pcs	B  43pcs	C  3.5*14 76pcs	C9  4*30 24pcs	F  6pcs	X  2pcs	Y  16pcs
Z4  8*30 5pcs	KA  12pcs	AE  4pcs	AE  1pcs	AM  Decorative paper 28pcs	AP  Lid mat 5pcs	



WARNING



Children have died from furniture tip over. To reduce the risk of tip over:

- ALWAYS secure this furniture to the wall using an anti-tip device.
- NEVER allow children to stand, climb, or hang on drawers, doors or shelves.

Do not defeat or remove the drawer interlock system.

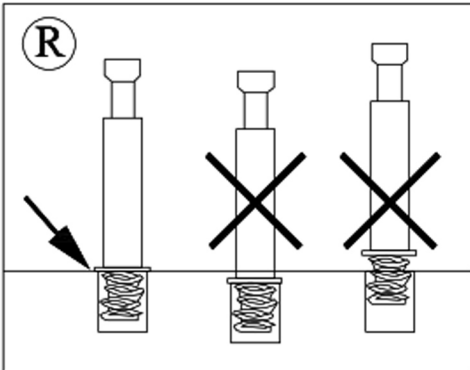
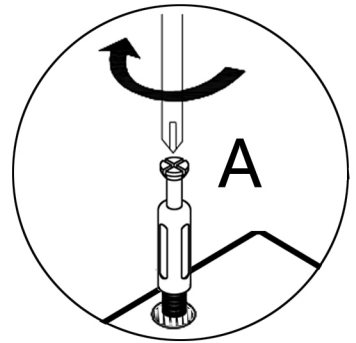
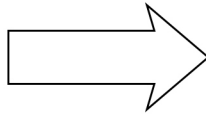
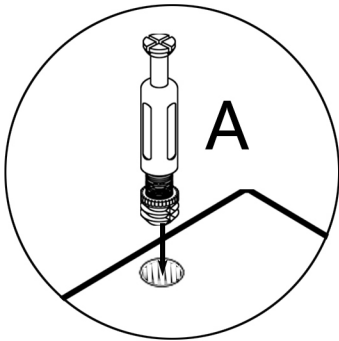
Place heaviest items in the lowest drawers.

NEVER put a TV on this furniture.



Hardware installation demonstration

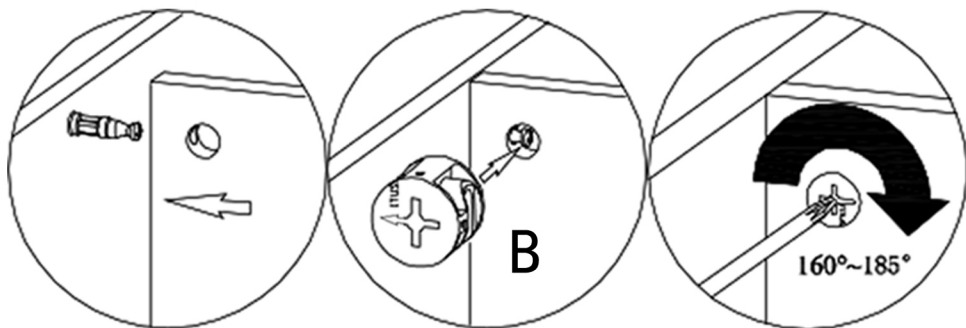
● Please make sure "A" hardware tightened and can't be pulled out





Hardware installation demonstration

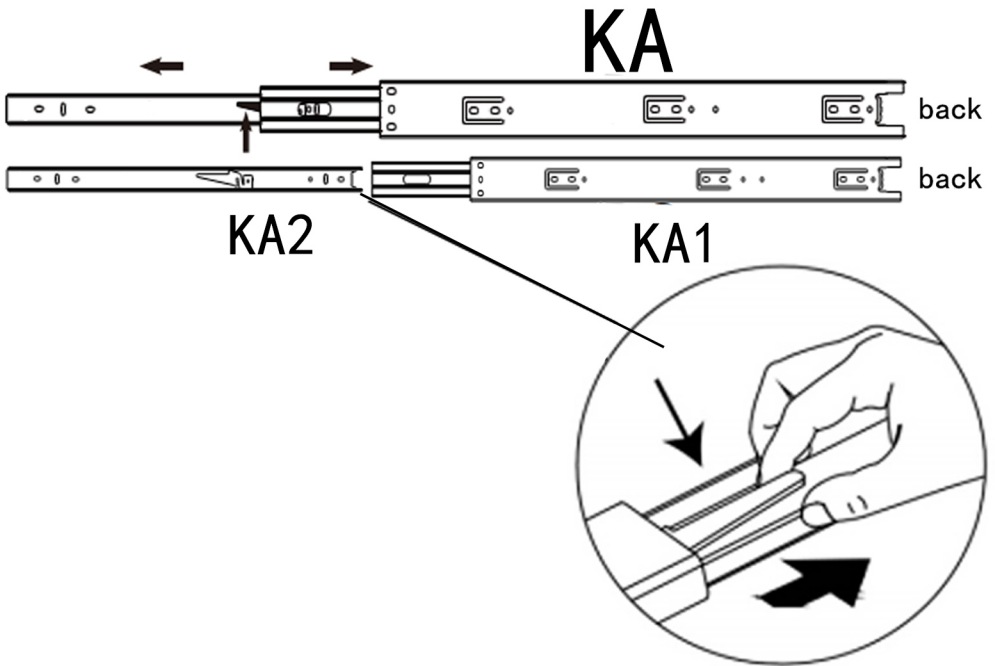
- When inserting cam ensure arrowhead on cam points toward to the hole on the panel edge





Hardware installation demonstration

- Before installing the drawer rail, you need to separate the KA1 and KA2 first.



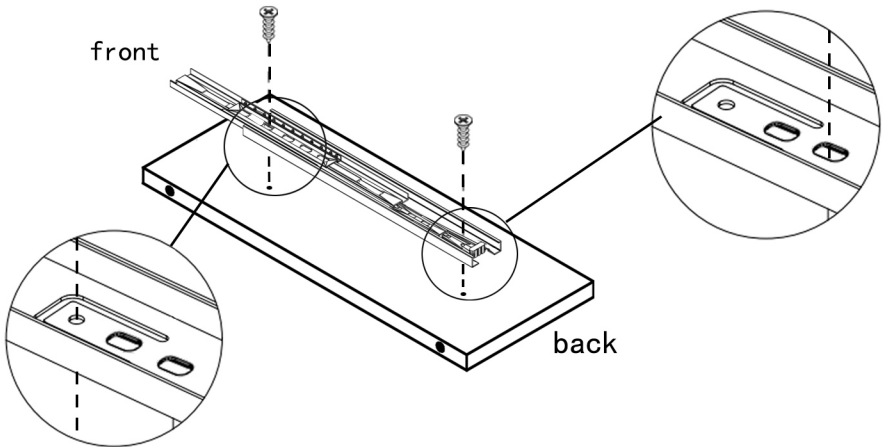
Warm Reminder: Press it and split



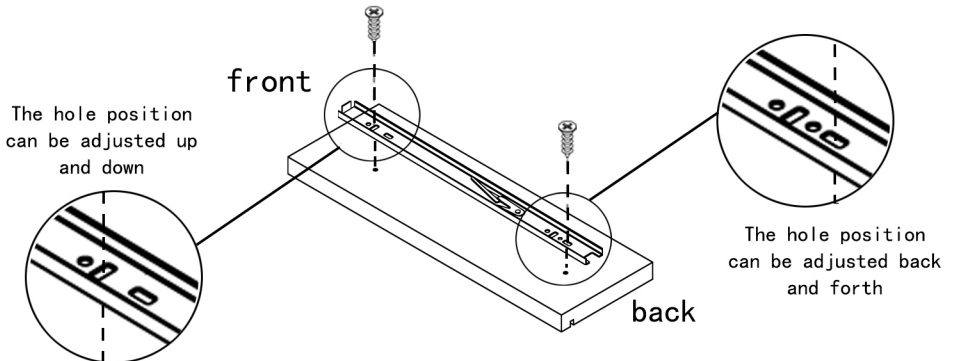
Hardware installation demonstration



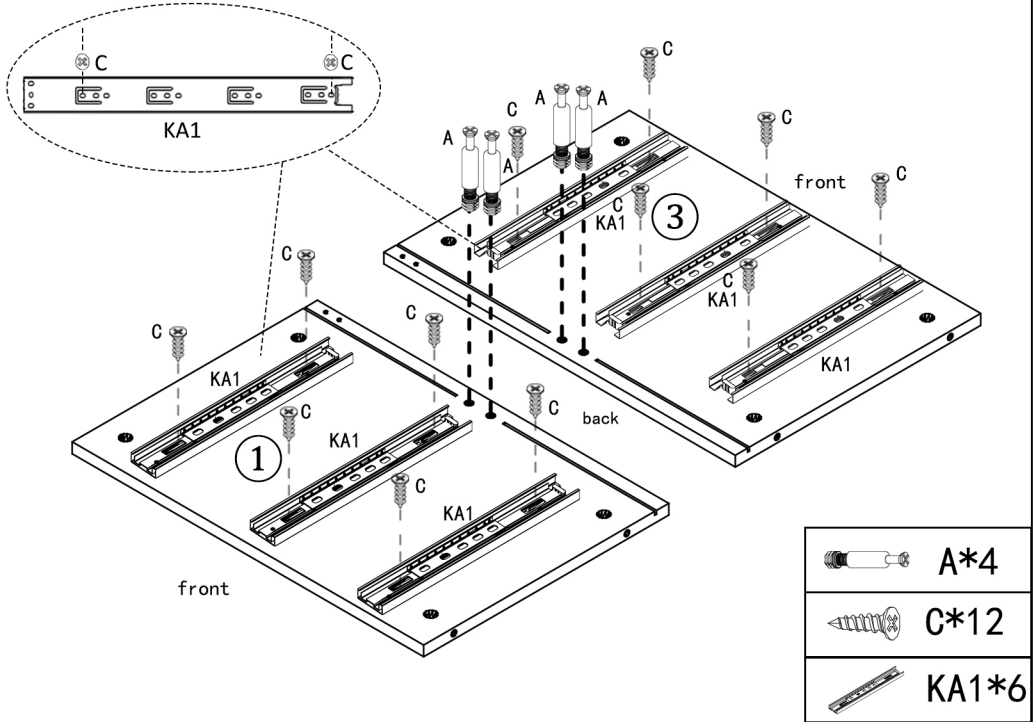
The first screw hole should corresponded with the board location hole



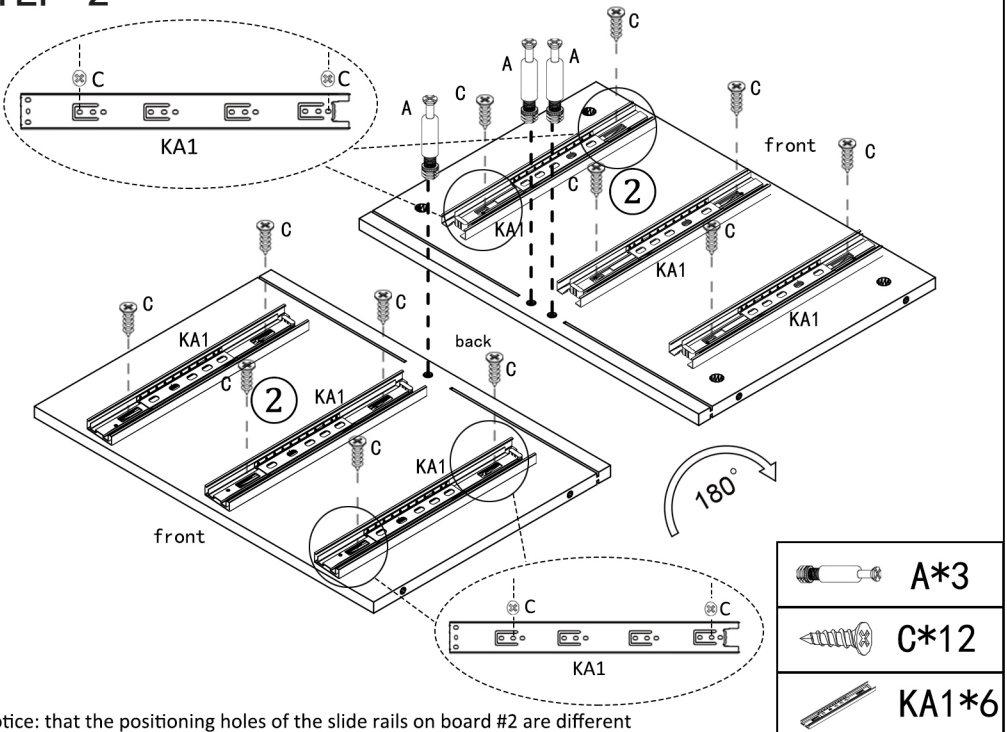
The first screw hole should corresponded with the board location hole



STEP 1

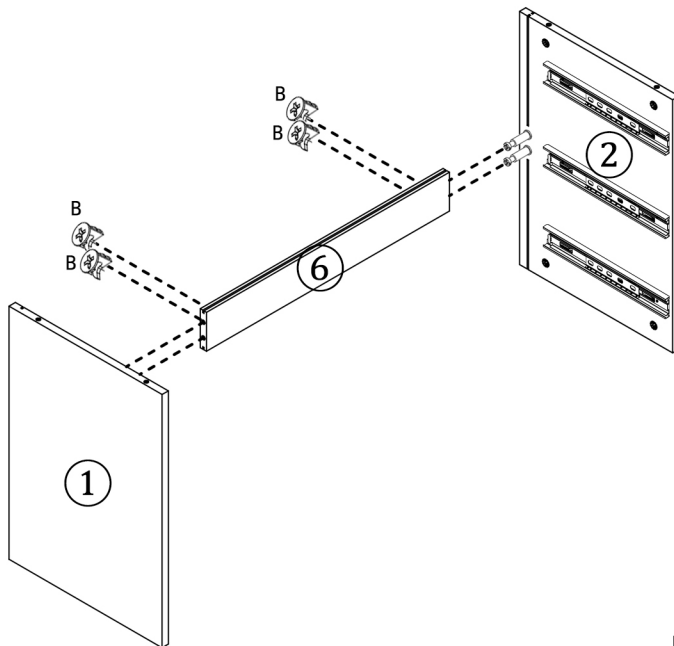


STEP 2



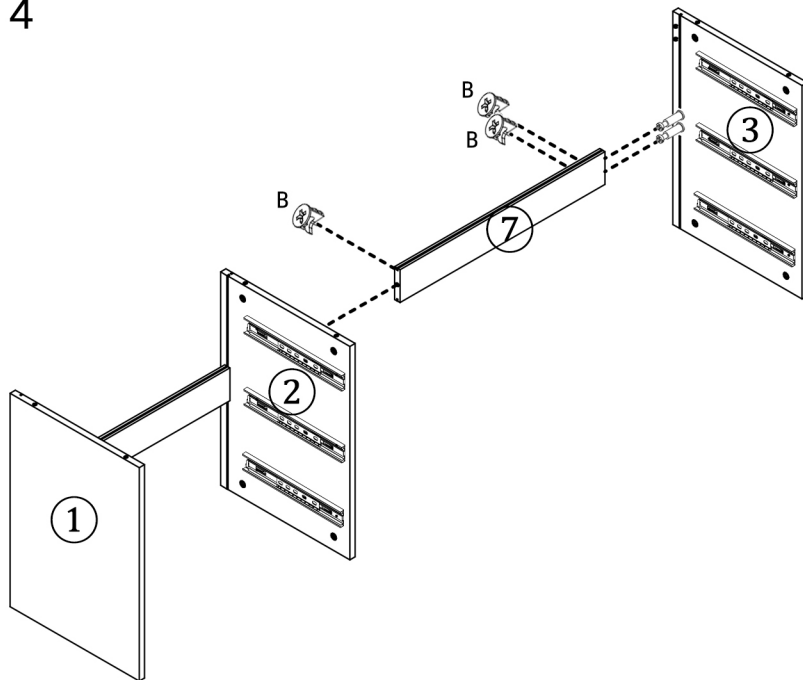
Notice: that the positioning holes of the slide rails on board #2 are different

STEP 3



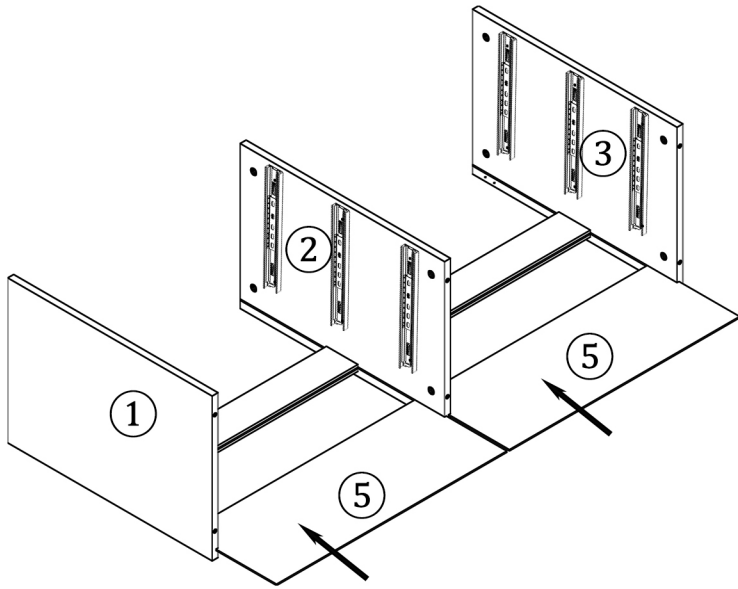
B*4

STEP 4

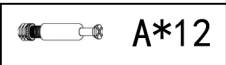
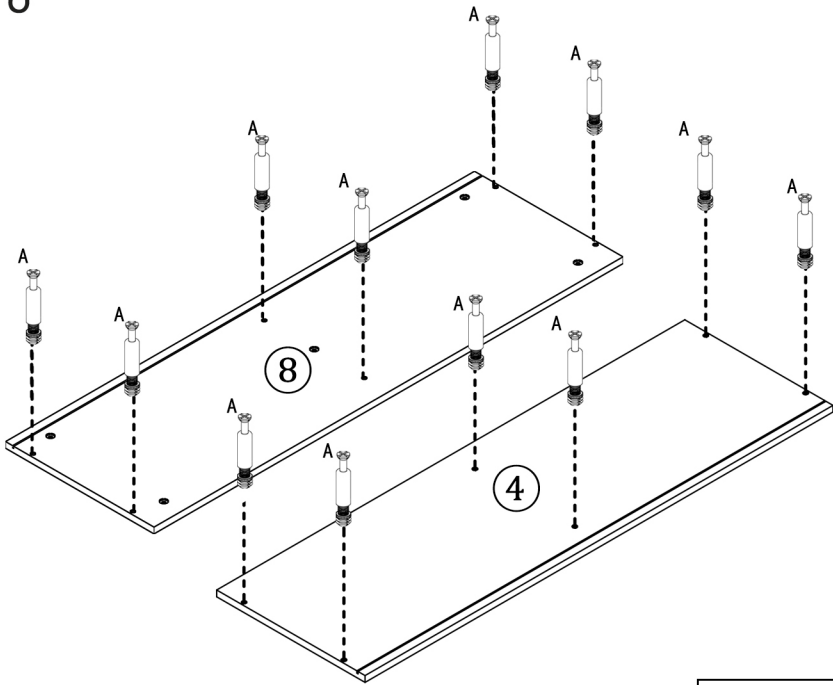


B*3

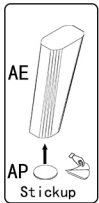
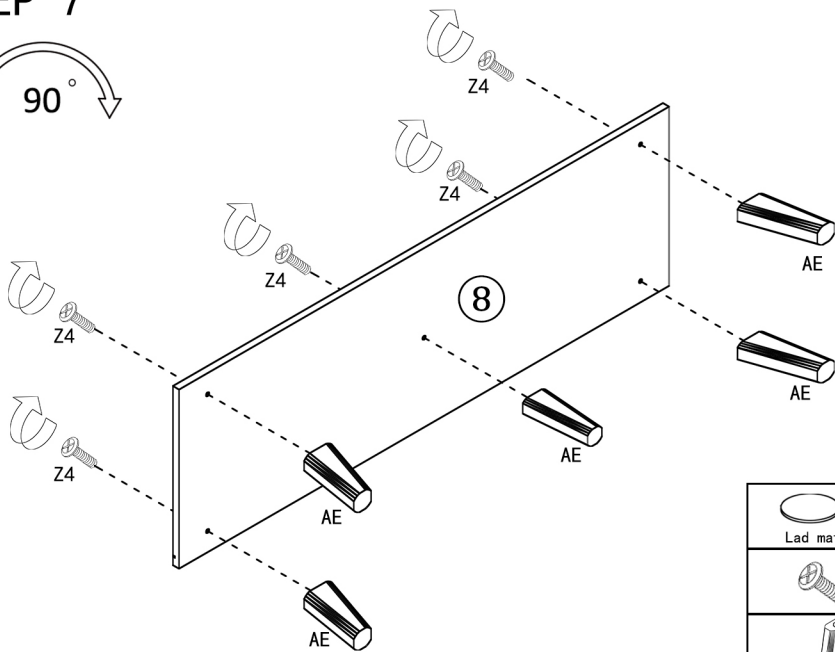
STEP 5



STEP 6

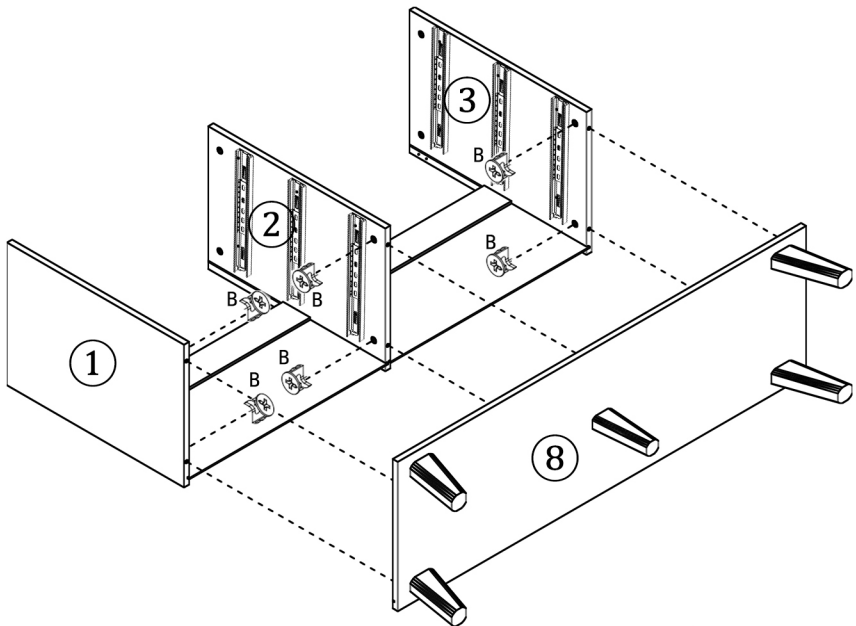


STEP 7



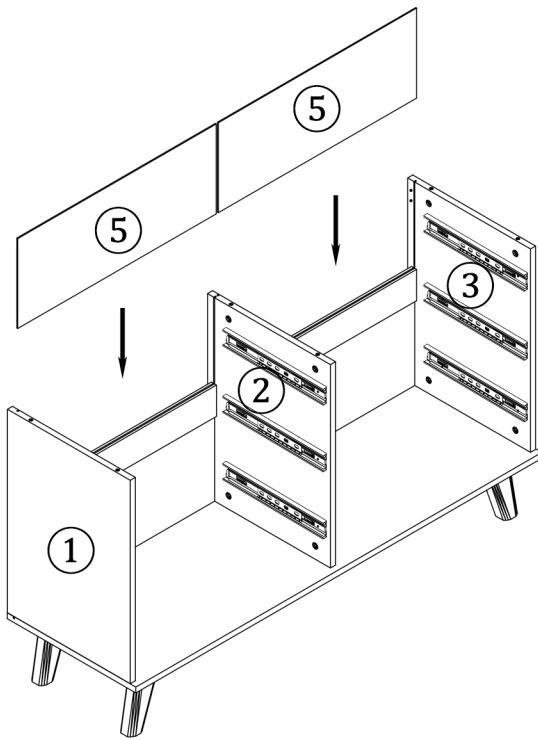
	AP*5
	Z4*5
	AE*4
	AE*1

STEP 8

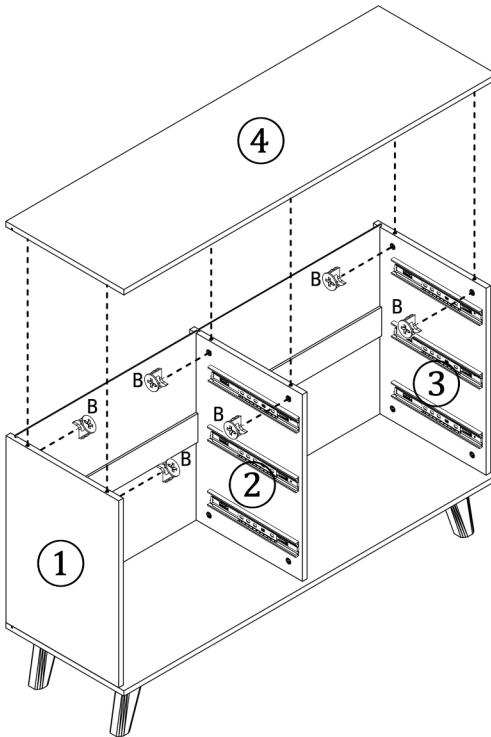


	B*6
--	-----

STEP 9

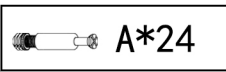
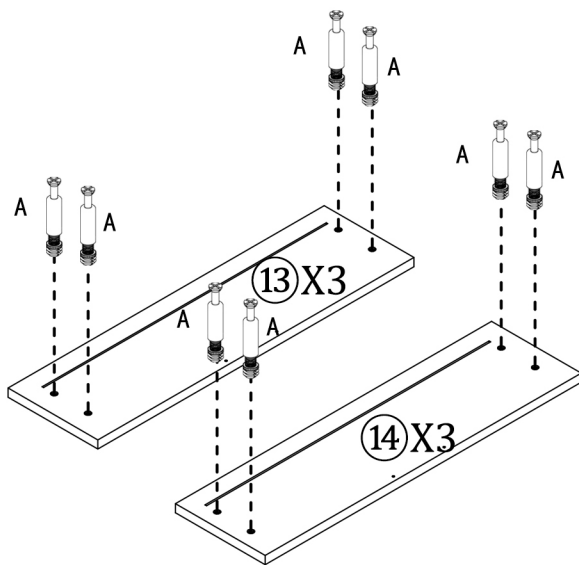


STEP 10

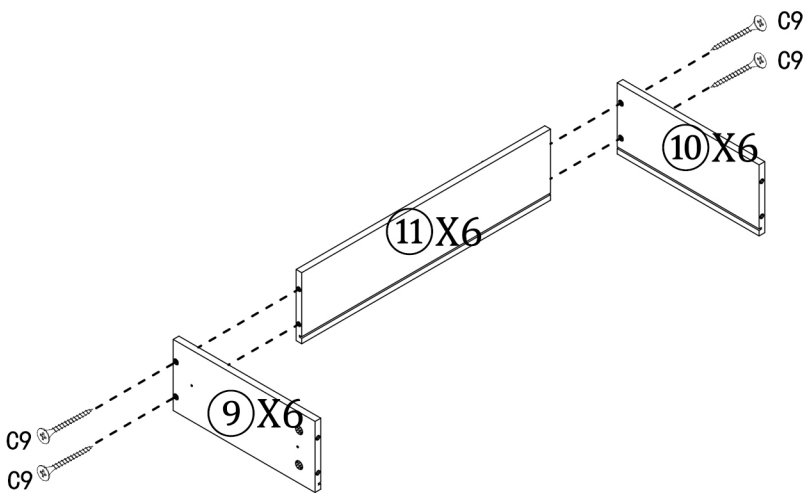


B*6

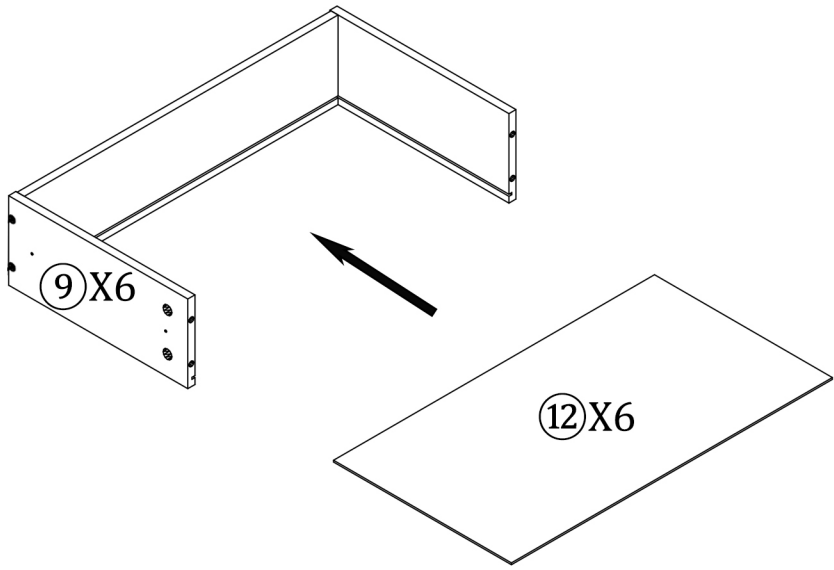
STEP 11



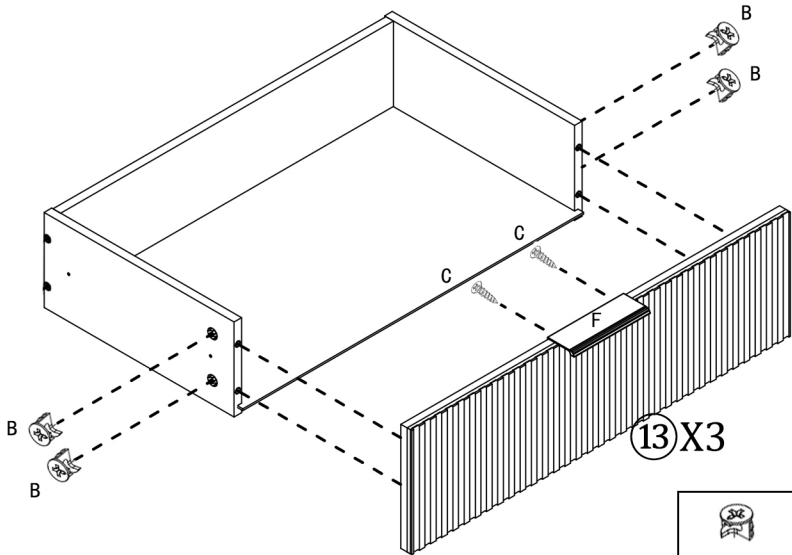
STEP 12


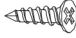
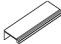


STEP 13

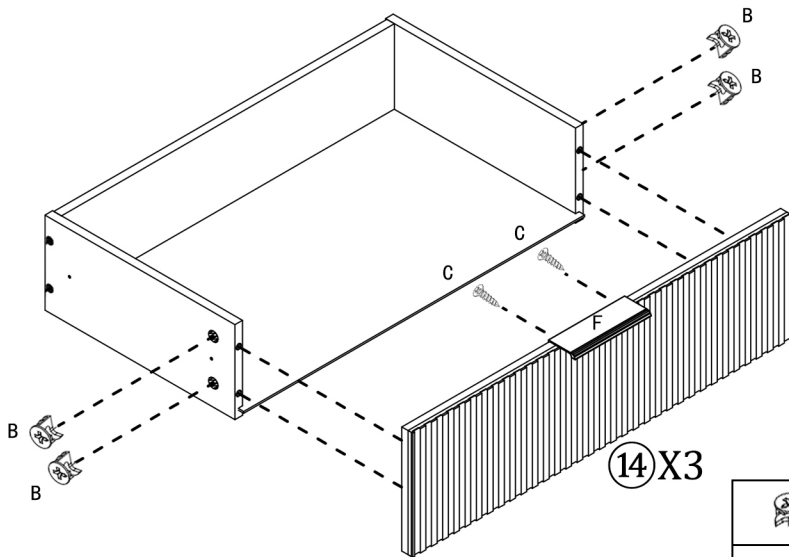




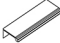
STEP 14



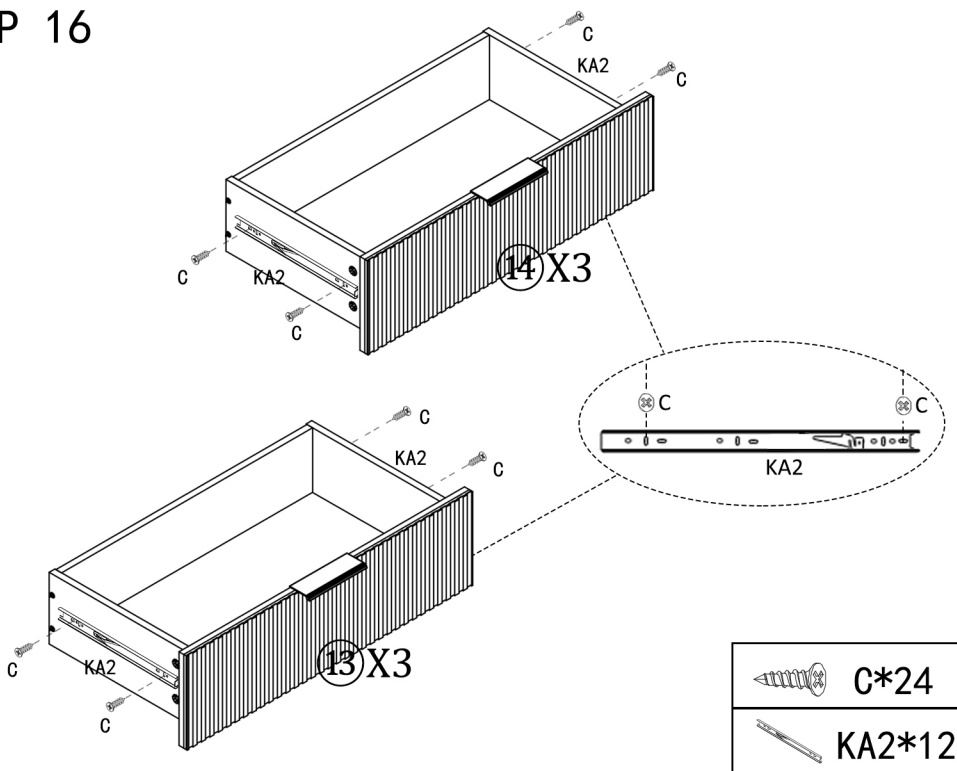
	B*12
	C*6
	F*3



STEP 15



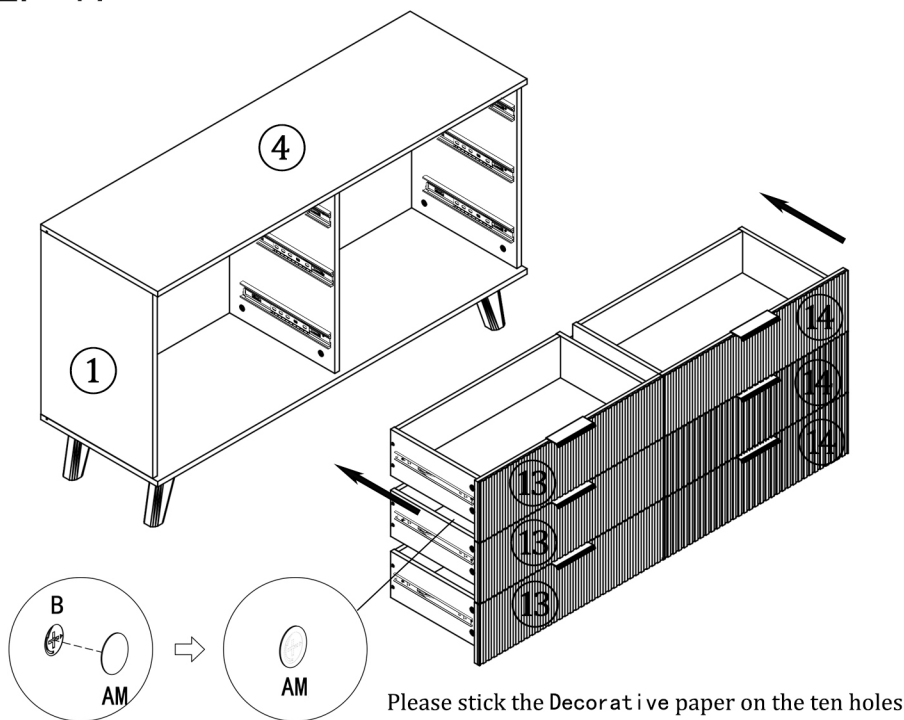
	B*12
	C*6
	F*3

STEP 16

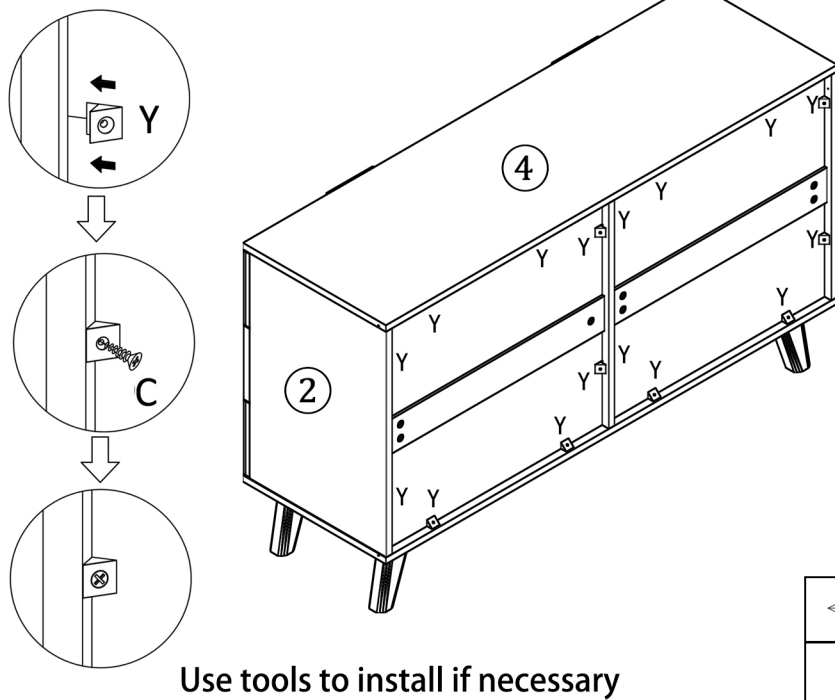


	C*24
	KA2*12

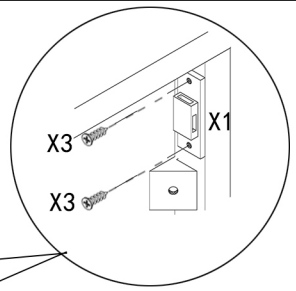
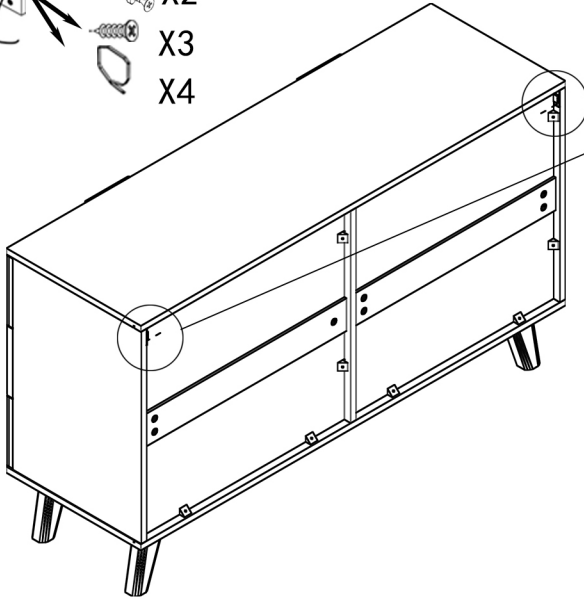
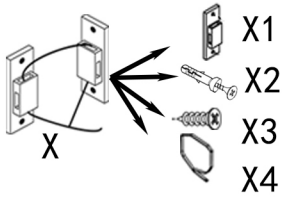
STEP 17



STEP 18



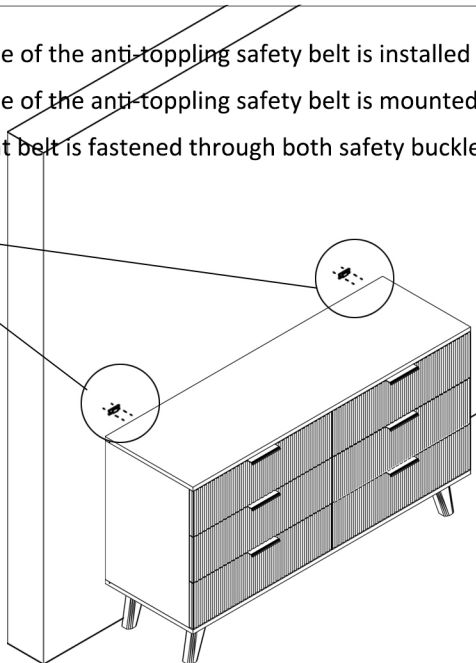
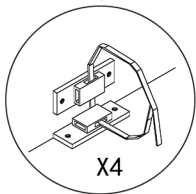
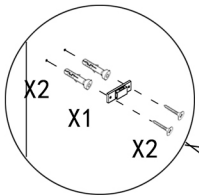
STEP 19



	X3*4
	X1*2

STEP 20

1. One side of the anti-toppling safety belt is installed on the cabinet body
2. One side of the anti-toppling safety belt is mounted on the wall
3. The seat belt is fastened through both safety buckles and then tightened



	X4*2
	X1*2
	X2*4