

veradek ——— outdoor

STORAGE SERIES

everything box

instructions



before you begin

READ AND FOLLOW ALL INSTRUCTIONS: Please read all instructions and warning carefully before starting the assembly process and carefully follow the step-by-step assembly instructions provided. Failure to do so may result in improper assembly, damage to your Deck Box product, and/or personal injury. Most injuries are caused by misuse and/or not following instructions.

PARTS AND HARDWARE: Before starting assembly, carefully check and ensure that all parts and hardware are included as set out in the provided checklist. If any parts are missing or damaged, contact us for assistance.

DO NOT OVER-TIGHTEN: When fastening screw or bolts, do not over-tighten as it may damage the product or its components. Follow the recommended force specifications provided in the assembly instructions.

USE PROTECTIVE EQUIPMENT: Use appropriate protective equipment, such as safety glasses or gloves when handling tools or hardware to prevent any injuries. Keep fingers free of hinge.

WEATHER CONDITIONS: Do not attempt to assemble the product during adverse weather conditions. Wait for suitable weather conditions to ensure safe and proper assembly.

NO MODIFICATIONS: Do not modify or alter the product in any way, as it may affect its designed stability and safety. Any modification will void the product warranty.

use, caution & care

INTENDED USE: This product is designed for stationary outdoor storage use only.

CAUTION:

- Do not sit or stand on top of product.
 - Do not store heavy items on product.
 - Do not place hot objects in or near product.
 - Do not store flammable or caustic chemicals inside product.
 - Do not transport heavy objects inside product.
 - Exercise caution when moving fully loaded product.
 - Product may get hot when in direct sunlight.
-
- This product is NOT a toy chest. To avoid risk of suffocation or injury, do NOT allow children or pets to play inside the Deck Box product.

CARE:

- To maintain the look of product, Veradek recommends cleaning product each year with mild soap and water. DO NOT use bleach, ammonia, or other caustic cleaners. DO NOT use stiff bristle brushes.
- Failure to clean product can result in staining.
- To maximize product lifespan, remove excess snow and debris accumulation.

FAILURE TO FOLLOW THESE WARNINGS MAY RESULT IN SERIOUS INJURY OR PROPERTY DAMAGE AND WILL VOID THE PRODUCT WARRANTY.

VERADEK IS NOT RESPONSIBLE FOR REPLACING PARTS LOST OR DAMAGE DUE TO INCORRECT ASSEMBLY.

IF YOU NEED HELP

Need assistance? Visit us at [veradek.com/pages/contact](https://www.veradek.com/pages/contact) to contact our customer service department



Scan to visit

⚠ antes de empezar el montaje

LEE Y SIGUE TODAS LAS INSTRUCCIONES: Lee detenidamente todas las instrucciones y advertencias antes de iniciar el proceso de montaje y sigue atentamente las instrucciones de montaje paso a paso que se facilitan. No hacerlo puede provocar un montaje incorrecto, daños en tu producto Deck Box y/o lesiones personales. La mayoría de las lesiones se producen por un mal uso y/o por no seguir las instrucciones.

PIEZAS Y HERRAJES: Antes de iniciar el montaje, comprueba cuidadosamente y asegúrate de que todas las piezas y herrajes están incluidos tal como se indica en la lista de comprobación proporcionada. Si falta alguna pieza o está dañada, ponte en contacto con nosotros para que te ayudemos.

NO APRIETES EN EXCESO: Cuando aprietes tornillos o pernos, no aprietes en exceso, ya que podrías dañar el producto o sus componentes. Sigue las especificaciones de fuerza recomendadas en las instrucciones de montaje.

UTILIZA EQUIPO DE PROTECCIÓN: Utiliza equipo de protección adecuado, como gafas de seguridad o guantes, cuando manipules herramientas o herrajes, para evitar cualquier lesión. Mantén los buscadores libres de bisagras.

CONDICIONES METEOROLÓGICAS: No intentes montar el producto en condiciones meteorológicas adversas. Espera a que las condiciones meteorológicas sean adecuadas para garantizar un montaje seguro y correcto.

SIN MODIFICACIONES: No modifiques ni alteres el producto en modo alguno, ya que puede afectar a su estabilidad y seguridad de diseño. Cualquier modificación anulará la garantía del producto.

⚠ uso, precauciones y cuidados

USO PREVISTO: Este producto está diseñado únicamente para uso estacionario de almacenamiento en el exterior.

PRECAUCIÓN:

- No te sientes ni te pongas de pie encima del producto.
- No guardes objetos pesados sobre el producto.
- No coloques objetos calientes dentro o cerca del producto.
- No almacenes productos químicos inflamables o cáusticos dentro del producto.
- No transportes objetos pesados dentro del producto.
- Ten cuidado al mover el producto completamente cargado.
- El producto puede calentarse si está expuesto a la luz solar directa.

- Este producto NO es un baúl de juguete. Para evitar el riesgo de asfixia o lesiones, NO permitas que los niños o las mascotas jueguen dentro del producto Deck Box.

CUIDADO:

- Para mantener el aspecto del producto, Veradek recomienda limpiarlo cada año con agua y jabón suave. NO utilices lejía, amoníaco ni otros limpiadores cáusticos. NO utilices cepillos de cerdas duras.
- Si no se limpia el producto, puede mancharse.
- Para maximizar la vida útil del producto, elimina el exceso de nieve y la acumulación de residuos.

VERADEK NO SE HACE RESPONSABLE DE LA SUSTITUCIÓN DE PIEZAS PERDIDAS O DAÑADAS DEBIDO A UN MONTAJE INCORRECTO.

EL INCUMPLIMIENTO DE ESTAS ADVERTENCIAS PUEDE PROVOCAR LESIONES GRAVES O DAÑOS MATERIALES Y ANULARÁ LA GARANTÍA DEL PRODUCTO.

SI NECESITAS AYUDA

¿Necesita ayuda? Visítenos en veradek.com/pages/contact para ponerse en contacto con nuestro servicio de atención al cliente



Escanee para visitar

avant de commencer l'assemblage

LISEZ ET SUIVEZ TOUTES LES INSTRUCTIONS : Veuillez lire attentivement toutes les instructions et tous les avertissements avant de commencer le processus d'assemblage et suivez attentivement les instructions d'assemblage étape par étape. Le non-respect de cette consigne peut entraîner un assemblage incorrect, endommager votre produit et/ou des blessures. La plupart des blessures sont causées par une mauvaise utilisation et/ou le non-respect des instructions.

PIÈCES ET MATÉRIEL : Avant de commencer l'assemblage, vérifiez soigneusement et assurez-vous que toutes les pièces et les matériels sont inclus comme indiqué dans la liste de contrôle fournie. Si des pièces sont manquantes ou endommagées, contactez-nous pour obtenir de l'aide.

NE PAS TROP SERRER : Lors de la fixation de vis ou de boulons, ne serez pas trop car cela pourrait endommager le produit ou ses composants. Suivez les spécifications de force recommandées fournies dans les instructions de montage.

UTILISEZ UN ÉQUIPEMENT DE PROTECTION : Utilisez un équipement de protection approprié comme des lunettes de sécurité ou des gants lorsque vous manipulez des outils ou les matériels pour éviter des blessures. Gardez les doigts éloignés des charnières.

CONDITIONS MÉTÉOROLOGIQUES : N'essayez pas d'assembler le produit dans des conditions météorologiques défavorables. Attendez que les conditions météorologiques soient appropriées pour assurer un assemblage sûr et approprié.

AUCUNE MODIFICATION : Ne modifiez pas ou n'altérez pas le produit de quelque manière que ce soit, car cela pourrait affecter sa stabilité et sa sécurité conçues. Toute modification annulera la garantie du produit.

utilisation, prudence et entretien

UTILISATION PRÉVUE : Ce produit est uniquement conçu pour une utilisation stationnaire en plein air.

PRUDENCE:

- Ne vous asseyez pas ou ne vous tenez pas debout sur le produit.
 - Ne stockez pas d'objets lourds sur le produit.
 - Ne placez pas d'objets chauds dans ou à proximité du produit.
 - Ne stockez pas de produits chimiques inflammables ou caustiques à l'intérieur du produit.
 - Ne transportez pas d'objets lourds à l'intérieur du produit.
 - Soyez prudent lorsque vous déplacez un produit entièrement chargé.
 - Le produit peut devenir chaud en plein soleil.
- Ce produit n'est PAS un coffre à jouets. Pour éviter tout risque d'étouffement ou de blessure, NE LAISSEZ PAS les enfants ou les animaux domestiques jouer à l'intérieur du produit.

SOIN :

- Pour maintenir l'apparence du produit, Veradek recommande de nettoyer le produit chaque année avec de l'eau et du savon doux. N'UTILISEZ PAS d'eau de Javel, d'ammoniaque ou d'autres nettoyeurs caustiques. NE PAS utiliser de brosses à poils durs.
- Le fait de ne pas nettoyer le produit peut entraîner des taches.
- Pour maximiser la durée de vie du produit, éliminez l'excès de neige et l'accumulation de débris.

VERADEK N'EST PAS RESPONSABLE POUR LA REMPLACEMENT DES PIÈCES PERDUES OU ENDOMMAGÉES EN RAISON D'UN ASSEMBLAGE INCORRECT.

LE NON-RESPECT DE CES AVERTISSEMENTS PEUT ENTRAÎNER DES BLESSURES GRAVES OU DES DOMMAGES A LA PROPRIÉTÉ ET ANNULERA LA GARANTIE DU PRODUIT.


SI TU AS BESOIN D'AIDE

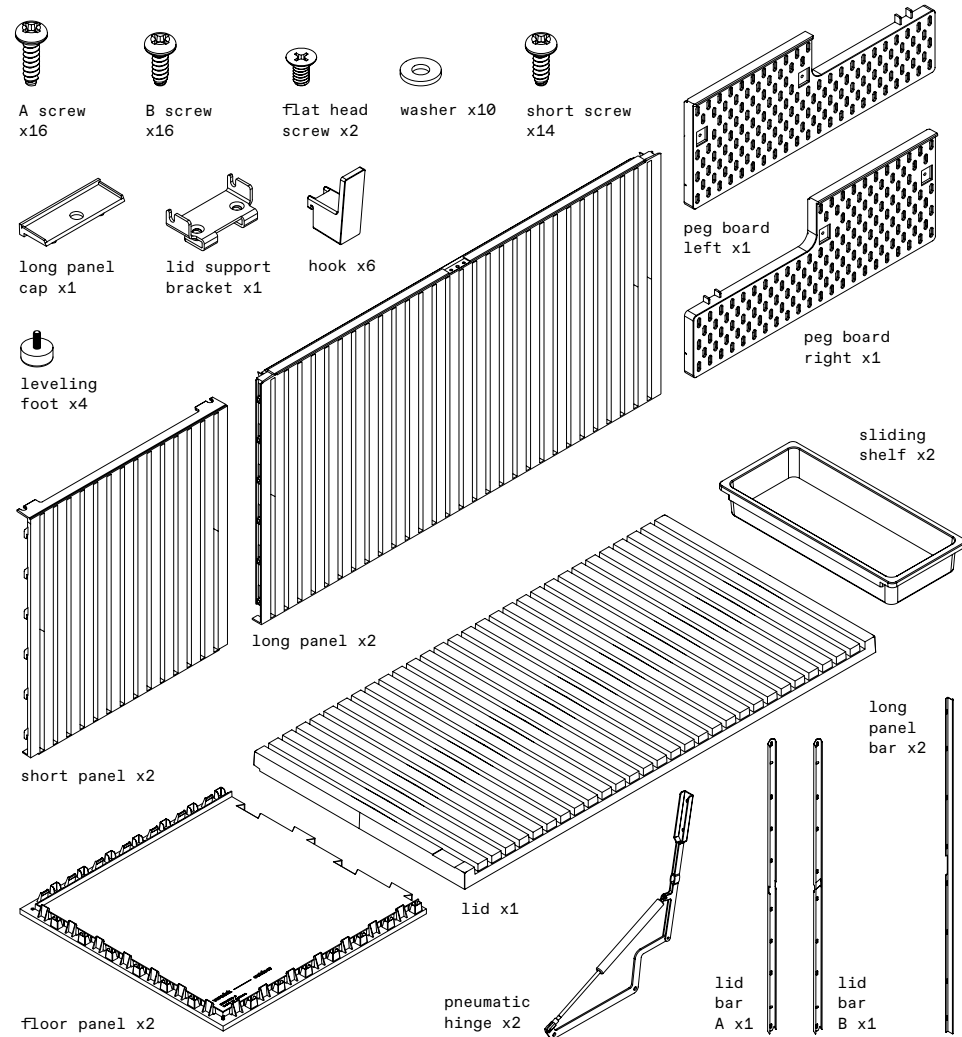
Visitez-nous sur
[veradek.com/pages/contact](https://www.veradek.com/pages/contact)
pour contacter notre service client



Scannez pour visiter

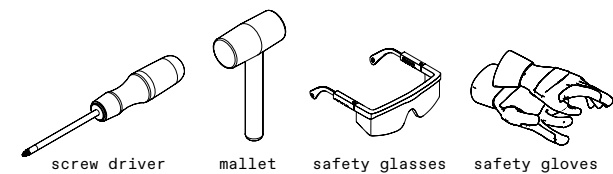
parts and components

 When fastening screws or bolts, do not over-tighten or use power tools, as this may damage the product or its components.



scan me for instructional video

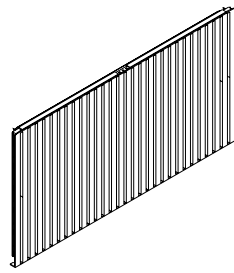
not included



step 1



A screw x16



long panel x2



long panel bar x2

step 2



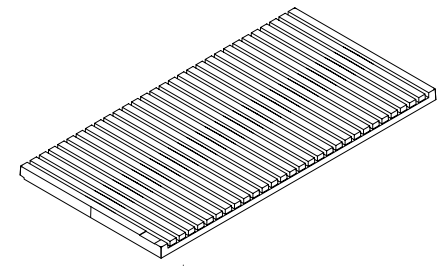
B screw x16



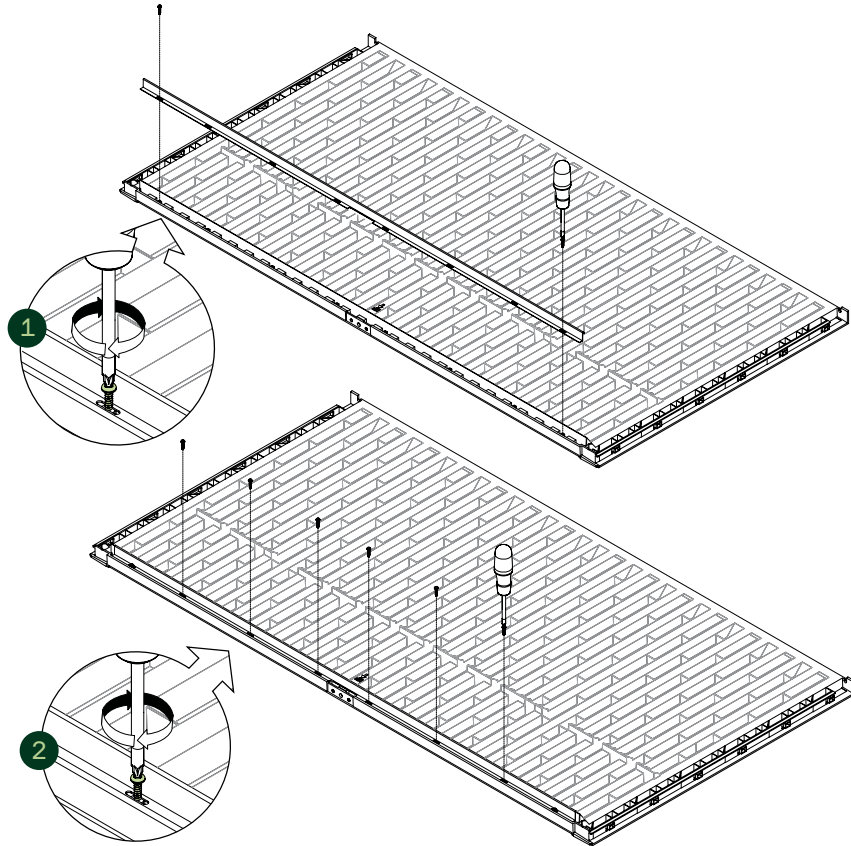
lid bar
A x1



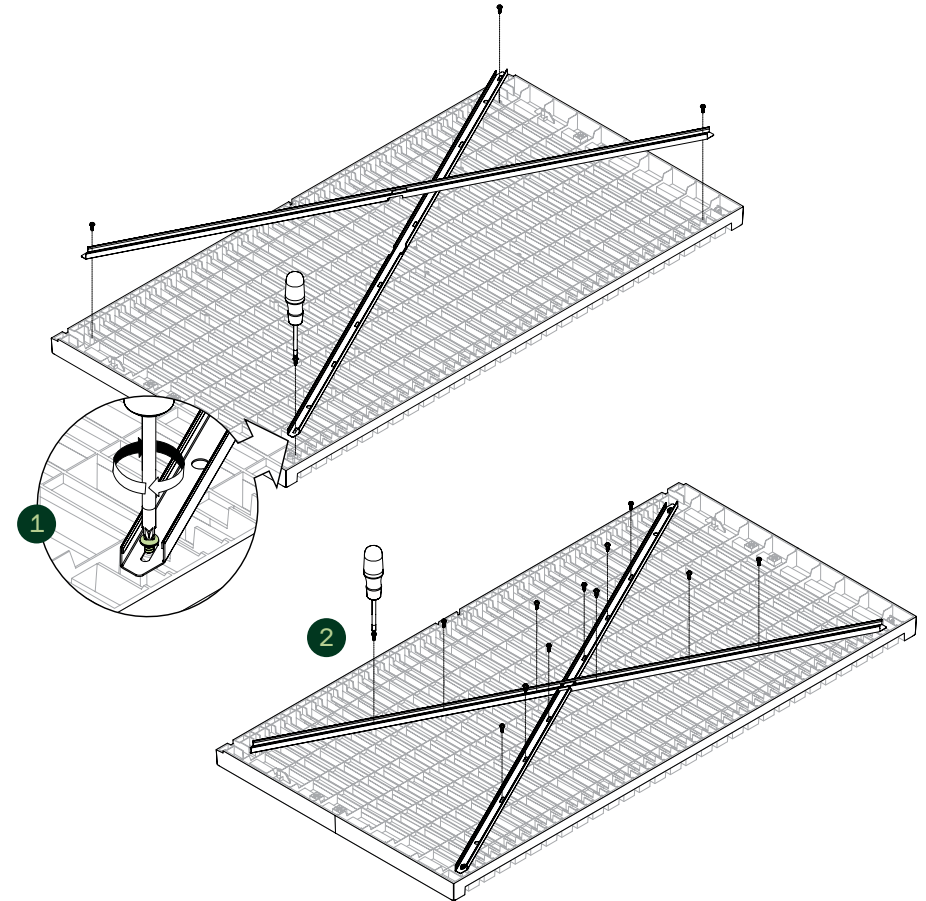
lid bar
B x1



lid x1

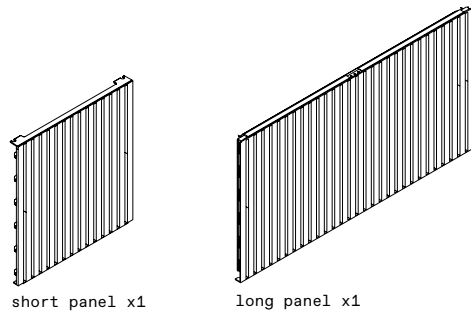


- 1 Place one long panel on the floor. Align the circular hole in the panel with the circular hole on the panel bar at the ends. Use two A screws and a screwdriver to attach the bar to the panel.
- 2 Once the two screws are loosely installed, add the remaining six screws. Hand-tighten all screws with a screwdriver; do not over tighten or use an electric drill. Repeat for the other long panel.

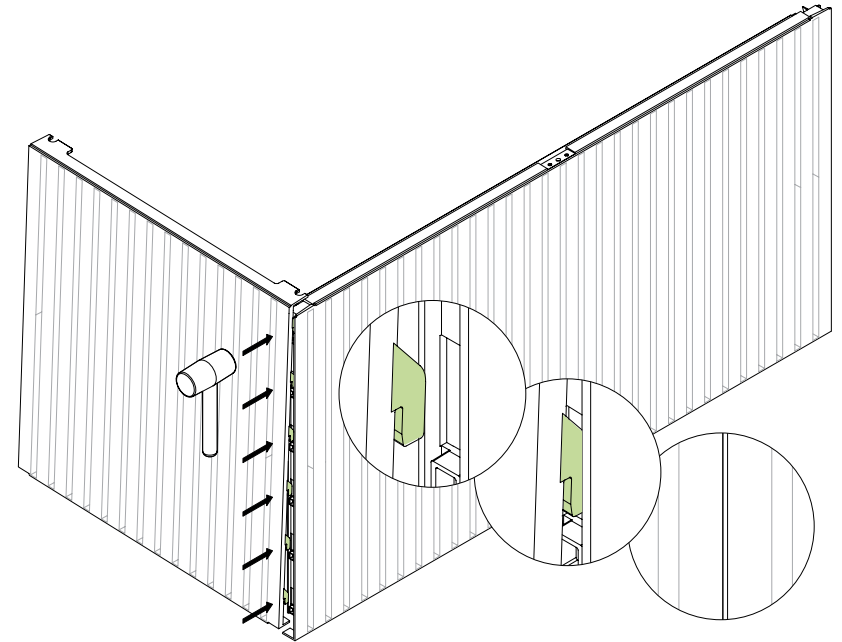
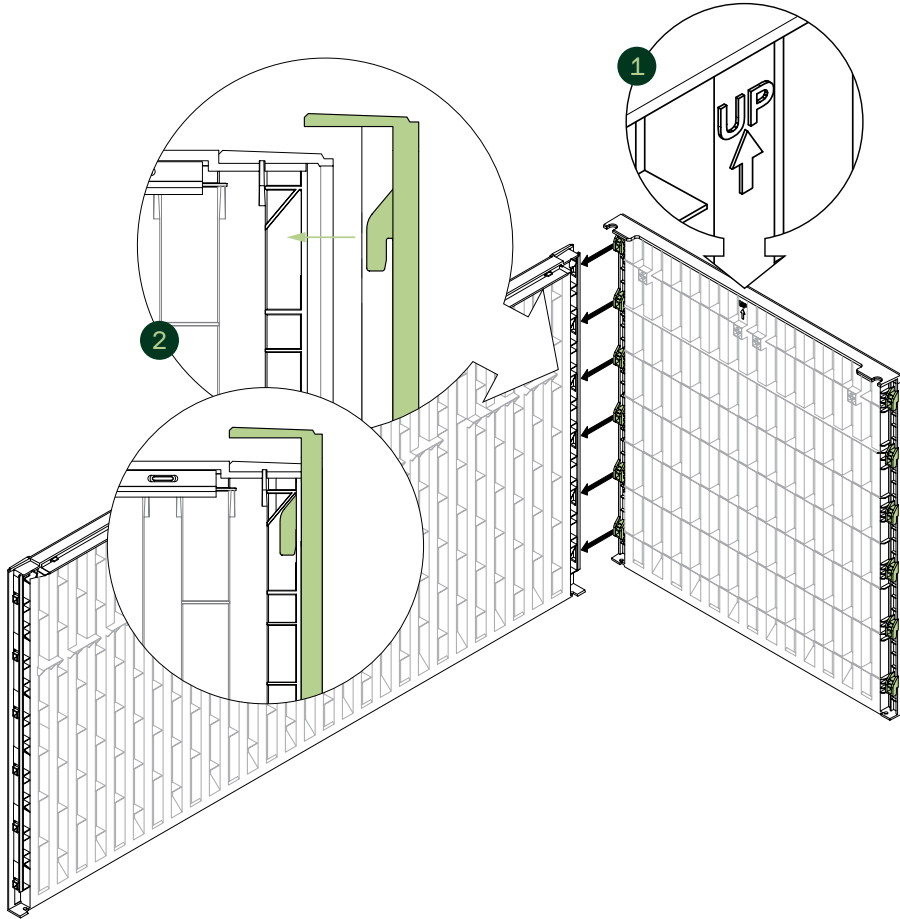
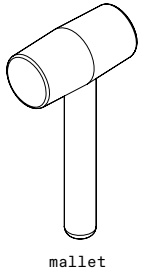


- 1 Place Lid bar A and then Lid bar B onto the inside of the lid, aligning the circular holes on the panel and bars. Use four B screws and a screwdriver to attach the bar corners to the lid.
- 2 Once the four screws are loosely installed, add the remaining twelve screws. Hand-tighten all screws with a screwdriver; do not over tighten or use an electric drill.

step 3



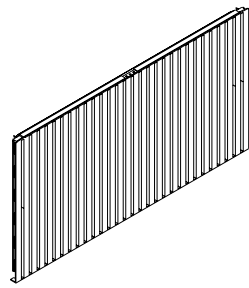
step 3 (continued)



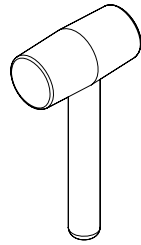
- 1 Position your short and long panel with the “up” marking, pointing towards the sky.
- 2 Align the hooks on the short panel, with the holes on the long panel.

- 3 **Having trouble? Try this:** Before moving to the next step, tap the hooks on the short panel into the holes on the long panel, one by one. Start at the top and work your way down the panel.

step 4

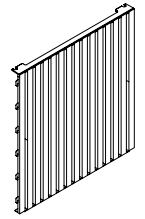


long panel x1

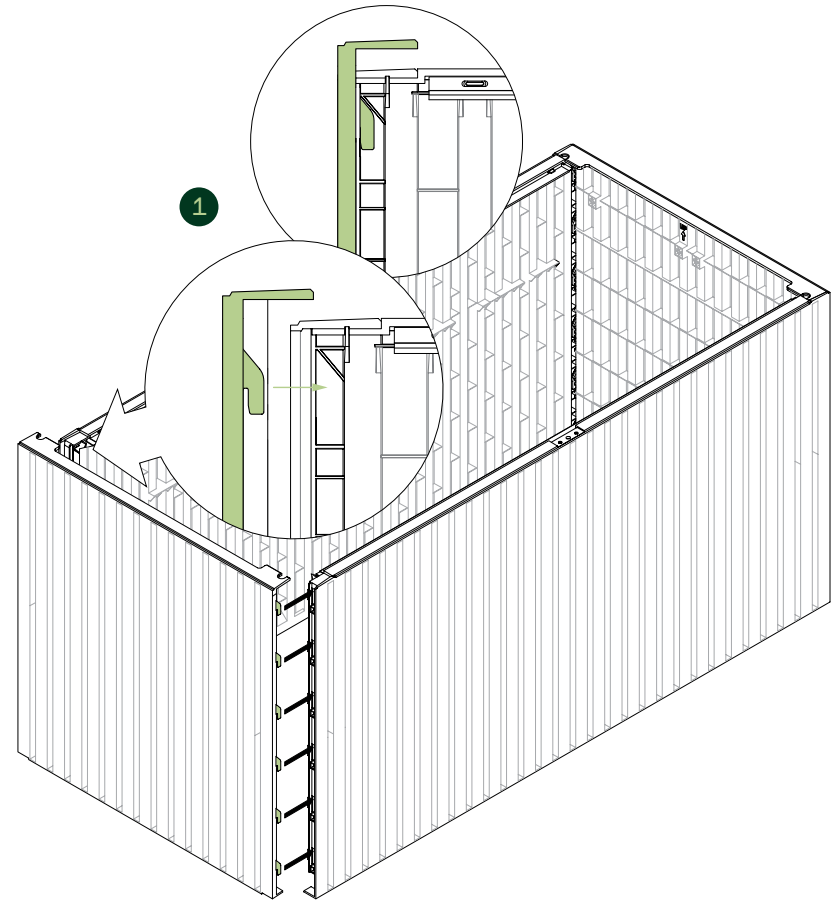
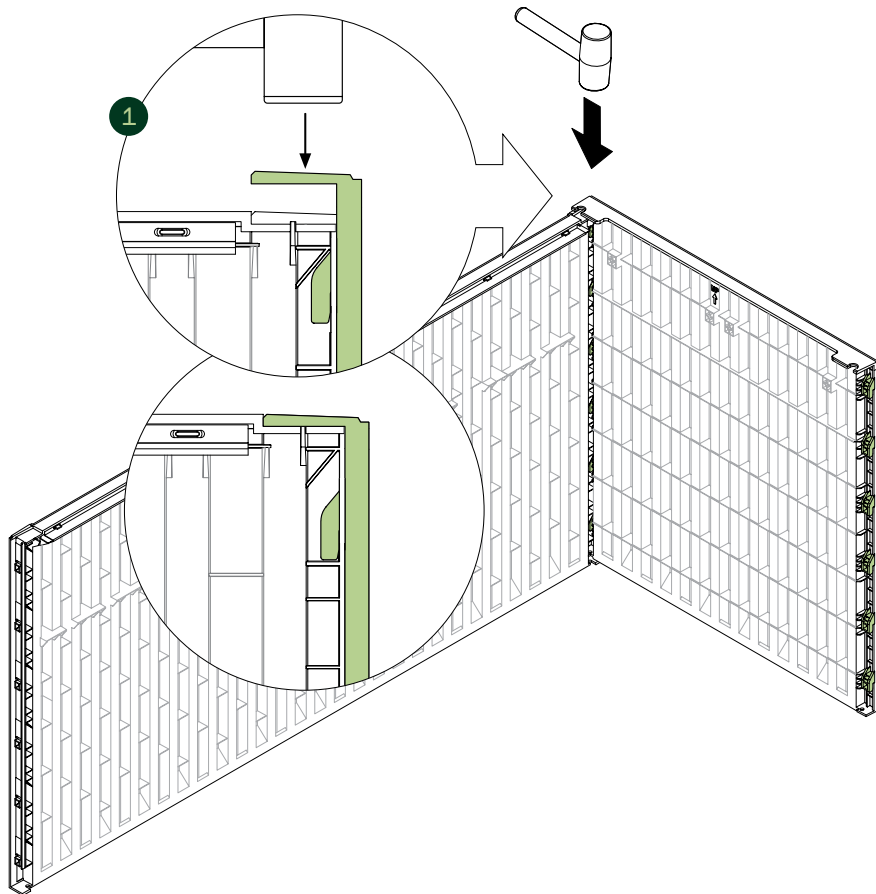


mallet

step 5



short panel x1

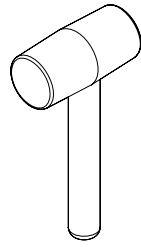


- 1 Once all the hooks are in place and the seam is flush, use a mallet to lightly tap the corner of the short panel downwards to lock the hooks. Repeat steps 1, 2, and 3 with the other long panel.

- 1 Repeat the process one last time using the remaining short panel piece. Ensure the “up” marking, point faces skyward.

Make sure both sides of the hooks are properly aligned. Lock them in one by one, starting from the top and working your way down each side of the panel.

step 6

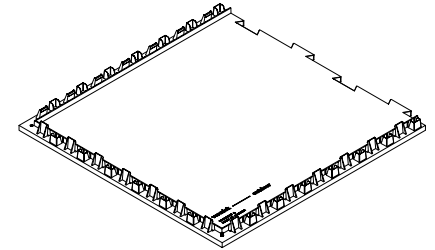


mallet

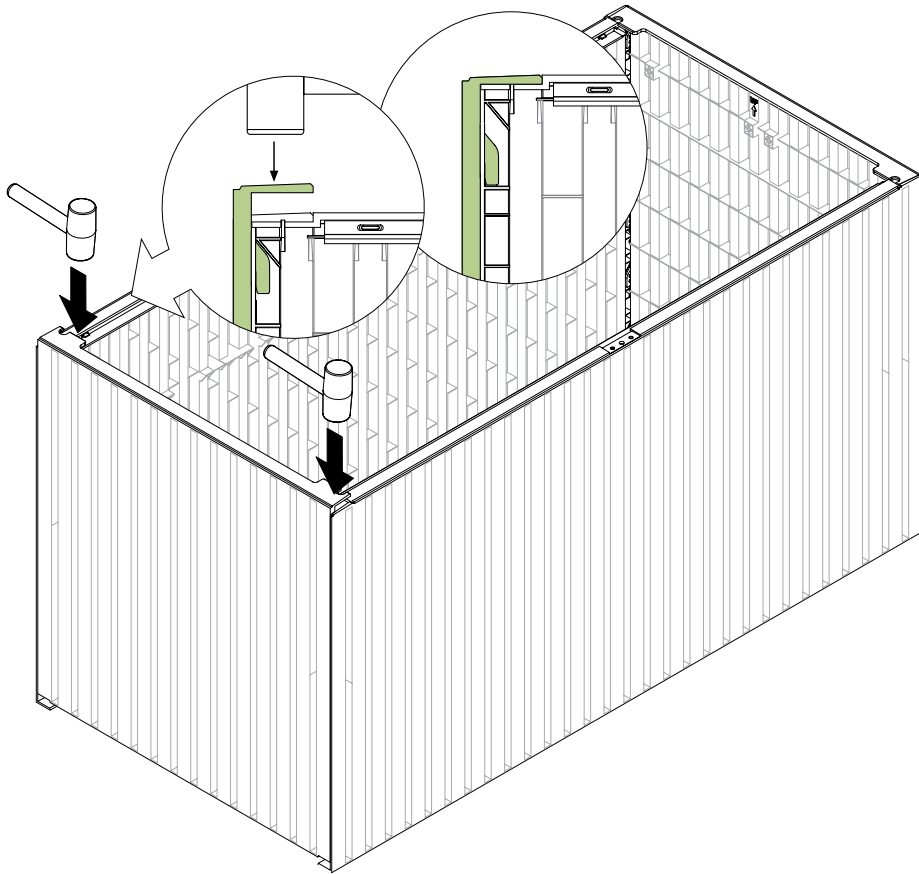
step 7



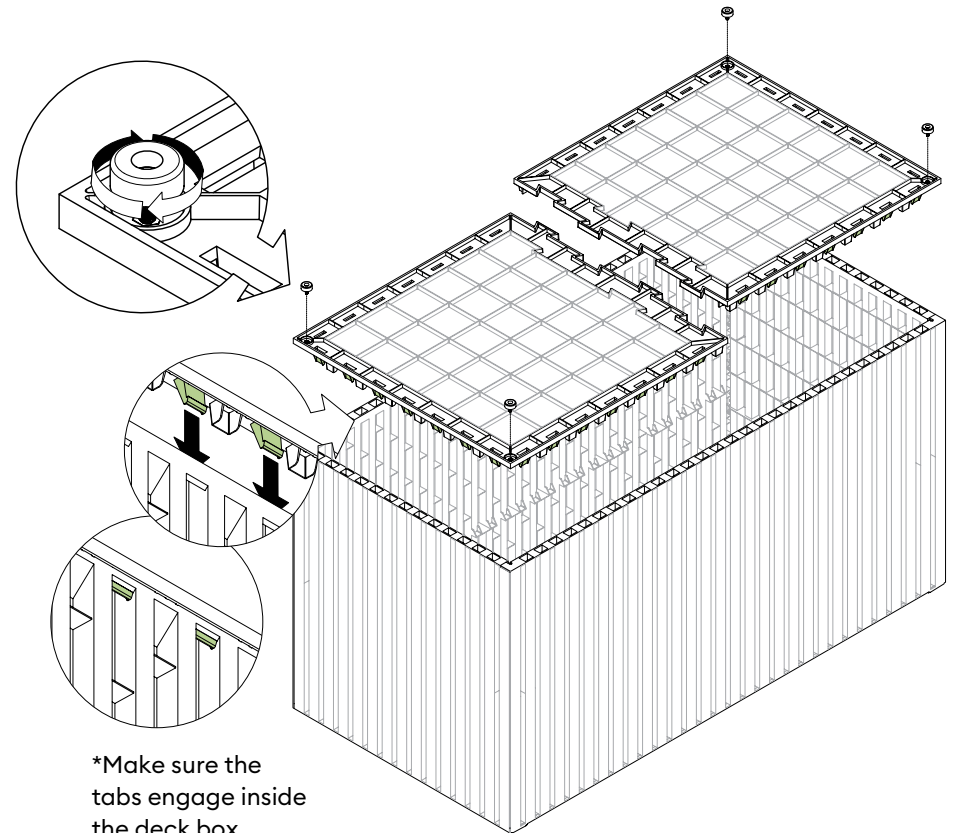
leveling foot x4



floor panel x2



Once all the hooks are in place and both seams are flush, use a mallet to lightly tap the corners of the short panel downwards to lock the hooks.

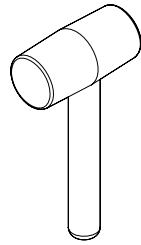


*Make sure the tabs engage inside the deck box.

Once all the panels are connected, flip the box over. With the box upside down, place the floor panel hooks into the holes on the long and short panel edges.

Repeat with the second short panel. Ensure the tabs are on the inside of the box. Take the four levelling feet and twist them into place until they are properly tightened.

step 8

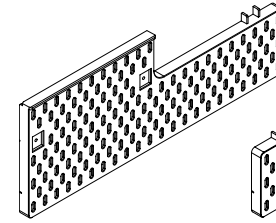


mallet

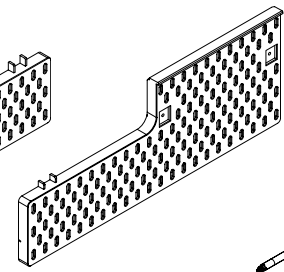
step 9



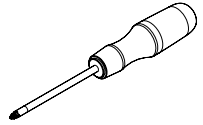
short screw x4



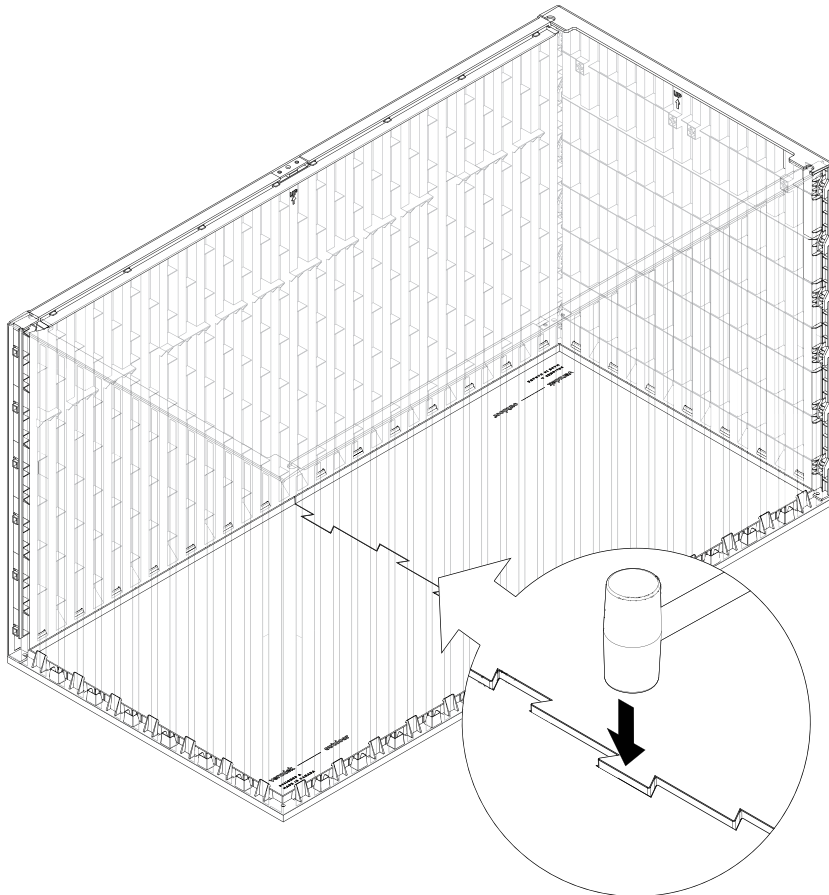
peg board left x1



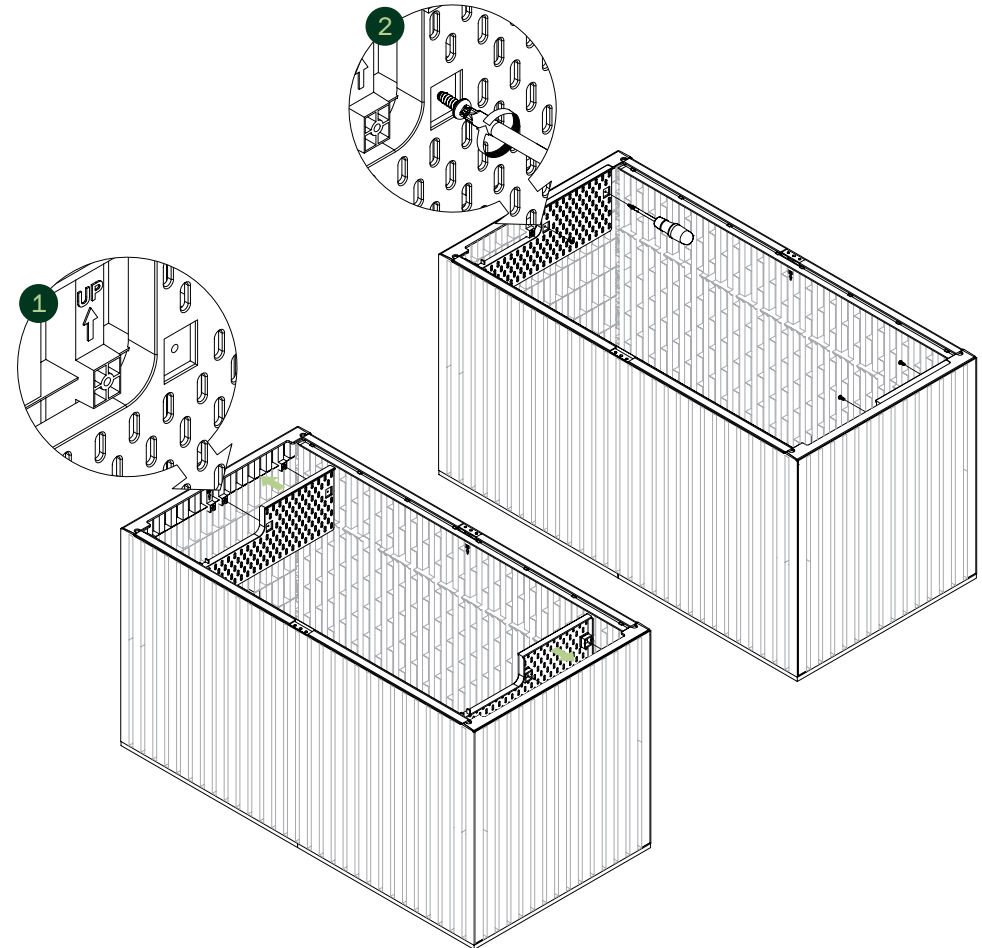
peg board right x1



screw driver



Gently flip the structure so that the opening is facing upwards. Using your mallet gently tap together the seam between the two floor panels, until they are completely flush with one another.

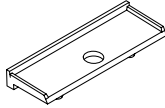


- 1 Align the pegboard with the top of the box using the square hole markers. Keep in mind that the side where you place the thicker part of the pegboard will be the front of your box.
- 2 Use a screwdriver to fasten four short screws securely. Hand-tighten all screws with a screwdriver; do not over tighten or use an electric drill.

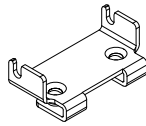
step 10



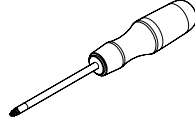
flat head screw x2



long panel cap x1



lid support bracket x1



screw driver

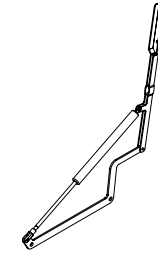
step 11



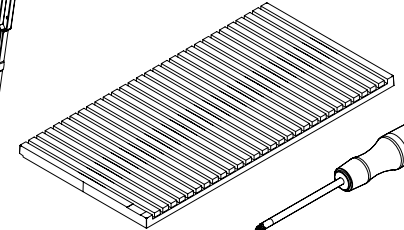
short screw x6



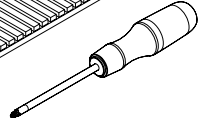
washer x6



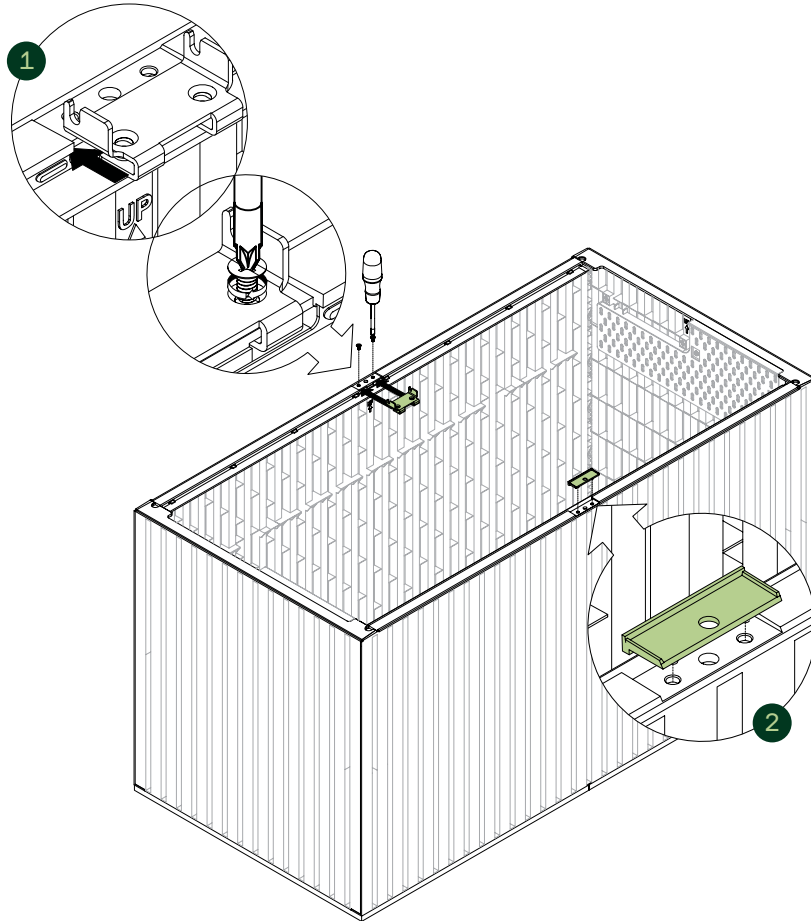
pneumatic hinge x2



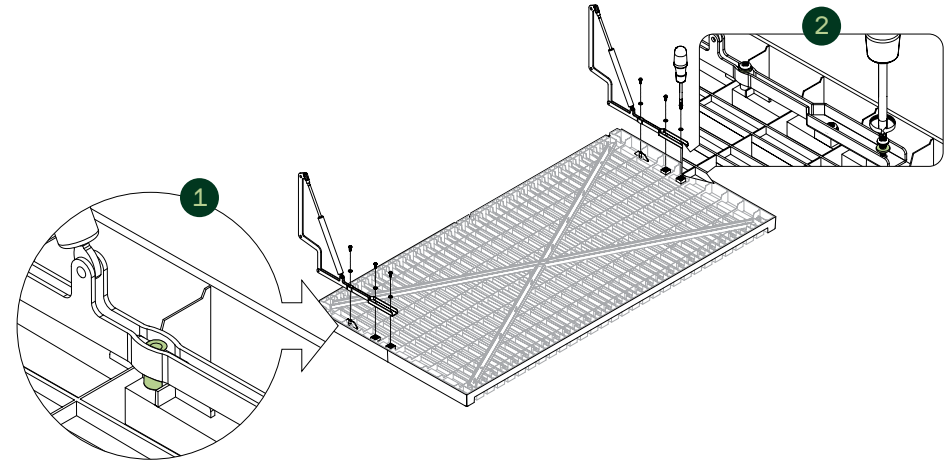
lid x1



screw driver

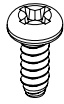


- 1 Attach the lid support bracket to the back of the box (where the thinner end of the peg board is) using your screwdriver and 2 flat head screws.
- 2 Then add the panel cap to the opposite end. Hand-tighten all screws with a screwdriver; do not over tighten or use an electric drill.

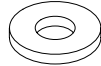


- 1 Lay the lid upside down and attach the hinges, ensuring they are flush with the lid.
- 2 Using six round head screws and washers, attach the hinges to the lid with your screwdriver.
*Hand-tighten all screws with a screwdriver; do not over tighten or use an electric drill.

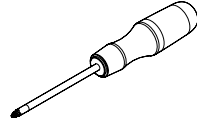
step 12



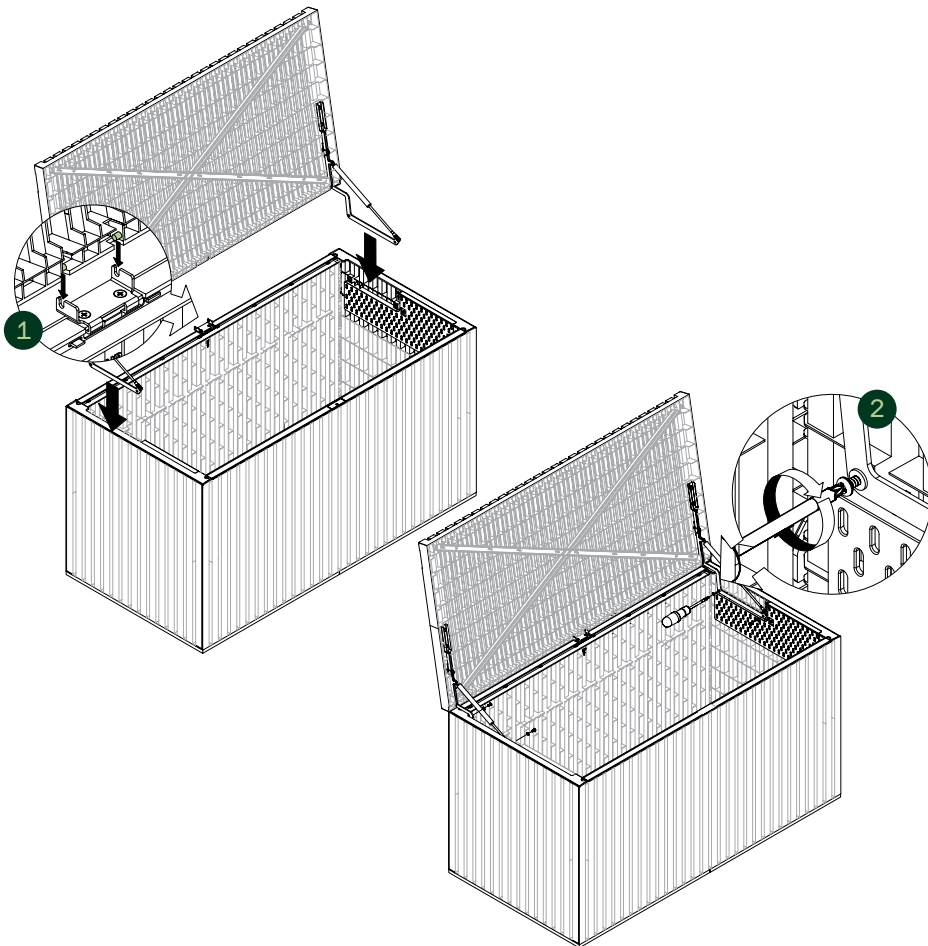
short screw x4



washer x4



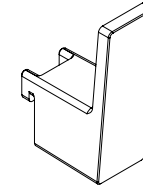
screw driver



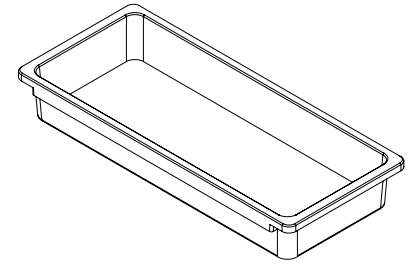
1 An extra hand will be helpful for this step. Lifting your lid, align the lid pegs and slot them into the support bracket. Ensure the inside of the lid is facing the opening of the box. The hinges will be able to rest on the pegboards.

2 Then using your screwdriver attach the hinges to the pegboards using four short screws and four washers. *Only use a screwdriver when tightening the screws. Do not overtighten or use an electric drill.

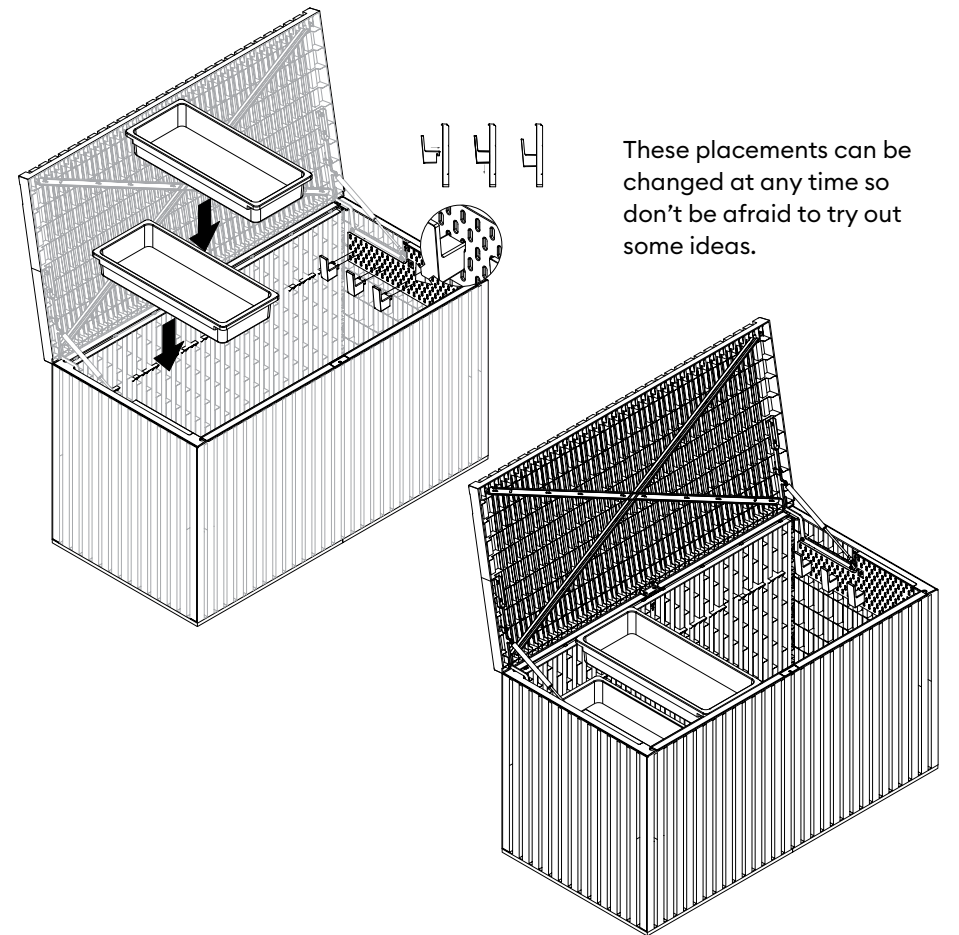
step 13



hook x6



sliding tray x2



These placements can be changed at any time so don't be afraid to try out some ideas.

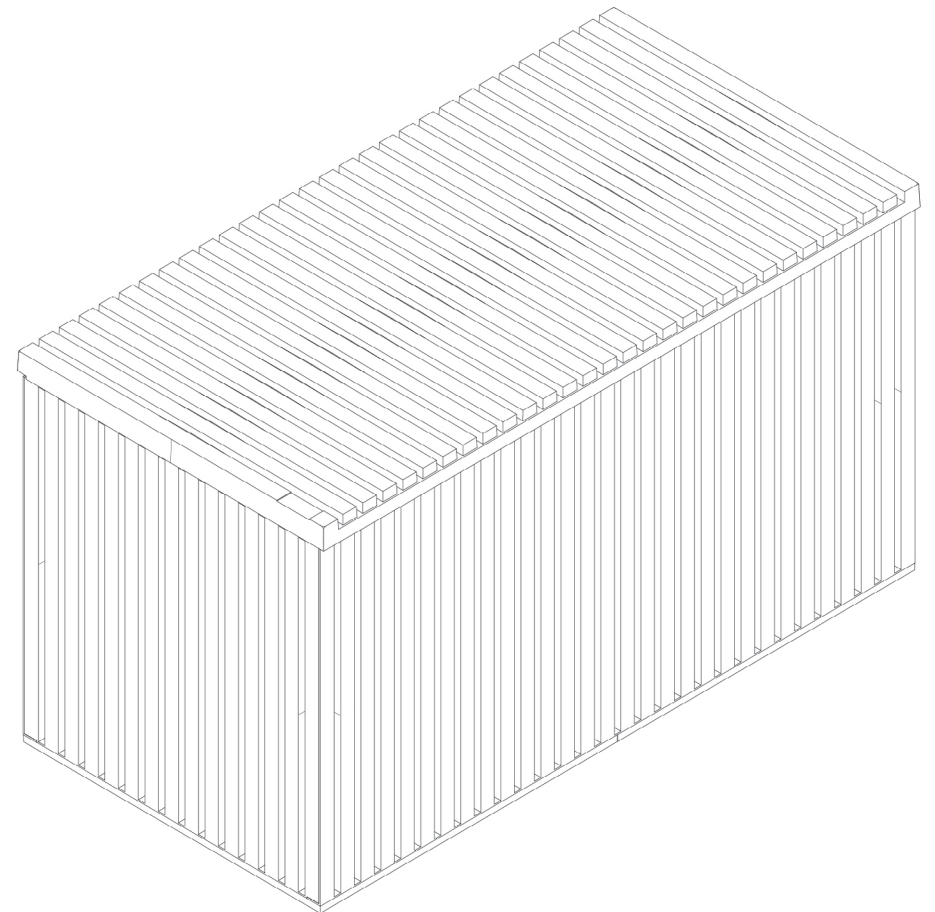
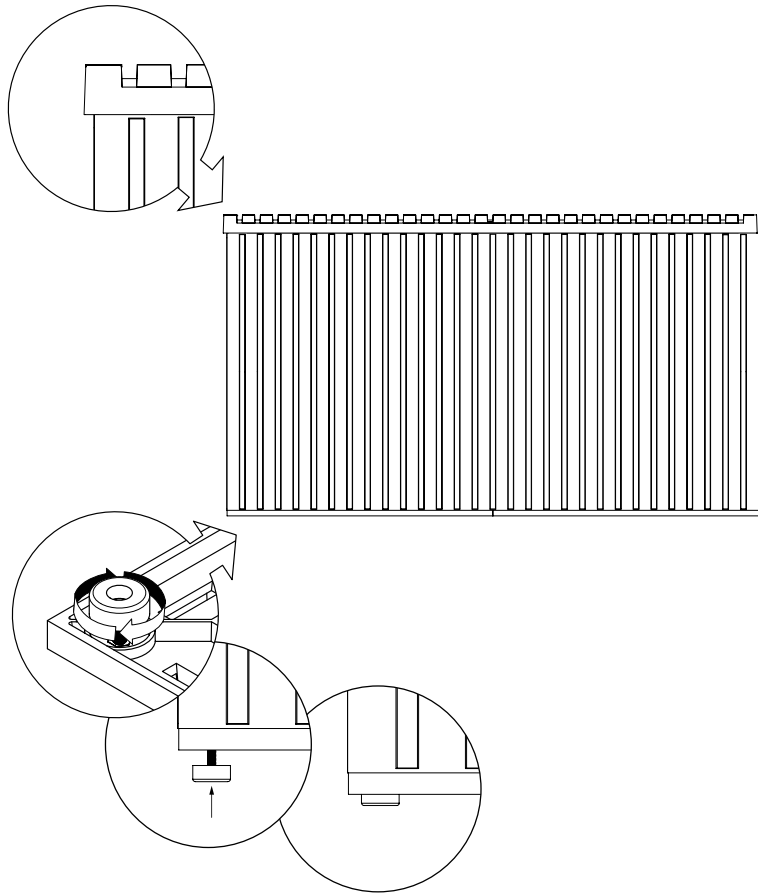
1 Now it's time to customize. Place your sliding trays at the desired height, by resting the edges of the tray on the inside rails of the box.

2 Your six hooks can also be placed in various positions and heights by slotting their notches into the small holes of the peg board. To install effectively, make sure to push in and pull down to lock the hooks in place.

step 14

everything box not sitting quite right?
try this!

complete



If the lid to your box is not sitting flush, check to see if it is on uneven ground. To fix this, adjust the leveling feet on the bottom of your box by twisting out to raise a corner higher.

For example, if your text box lid is overhanging on the left side, raise the leveling feet on the right side and lower the leveling feet on the left.



hello, *sunshine!*

Your backyard is calling –
let's get outside and enjoy it!



meet you
outside

veradek ——— outdoor