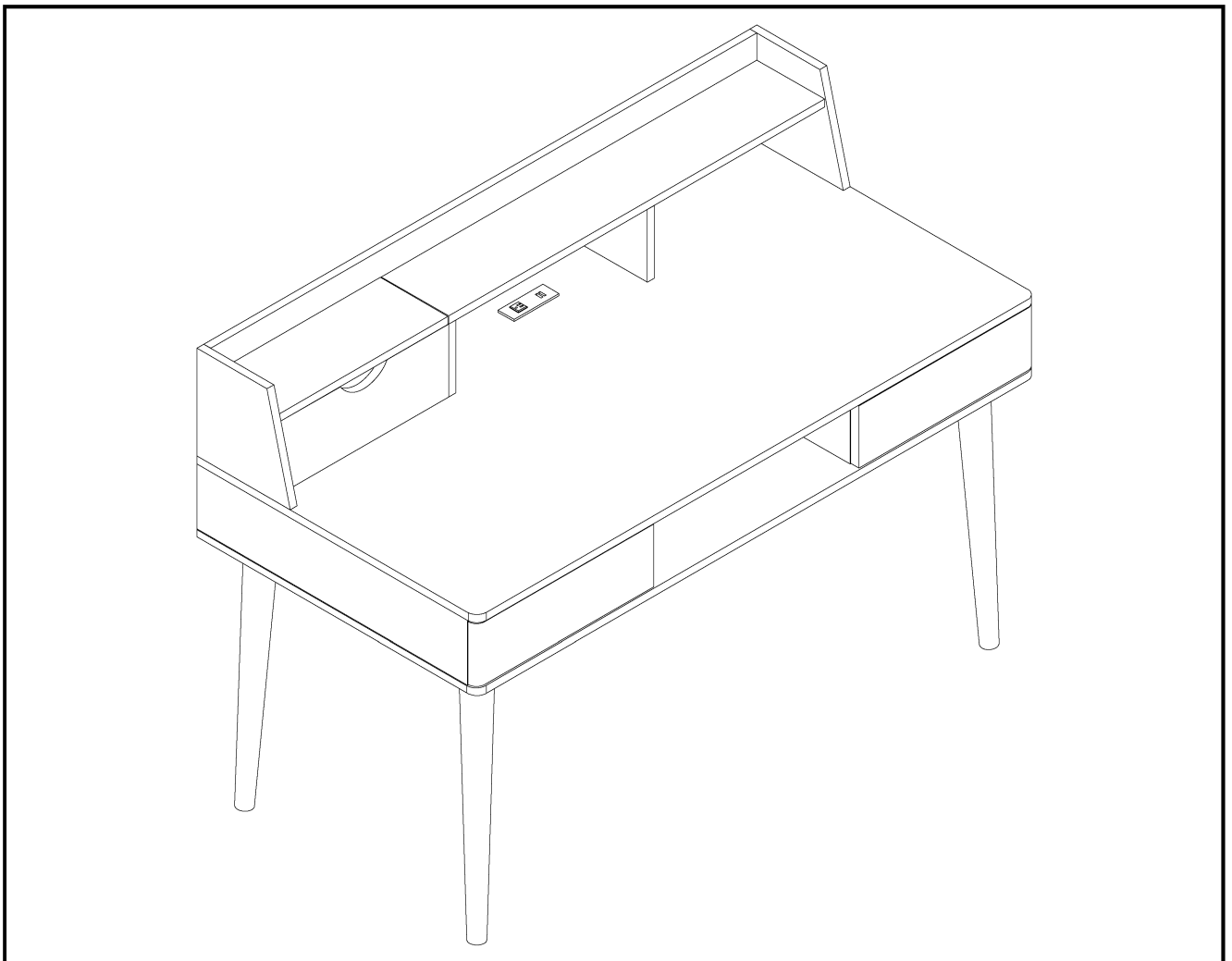


# ASSEMBLY INSTRUCTIONS

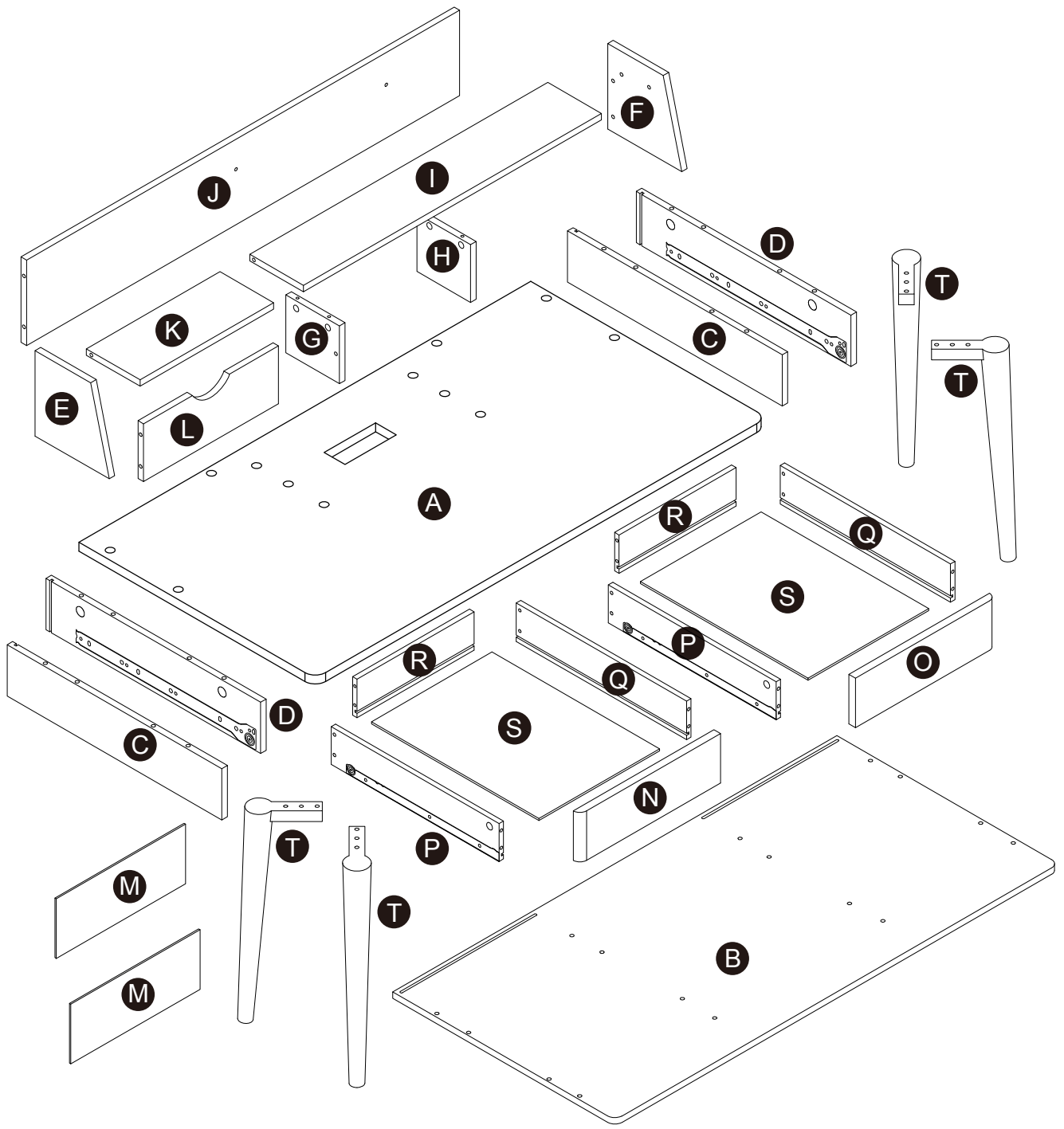
## ACACIA DESK

---

Place all wooden parts onto a clean and smooth surface such as a rug or carpet to avoid the parts from being scratched and please follow the assembly instructions step by step.

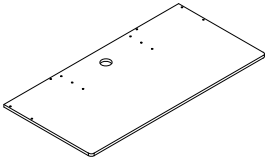


# Exploded Drawing



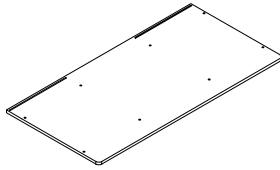
# Product Parts

A



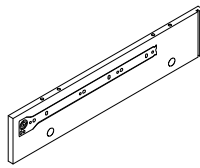
1 PC

B



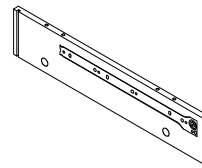
1 PC

C



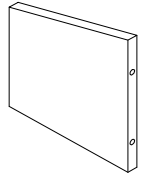
2 PCS

D



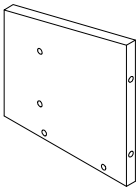
2 PCS

E



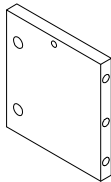
1 PC

F



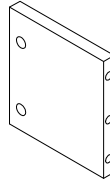
1 PC

G



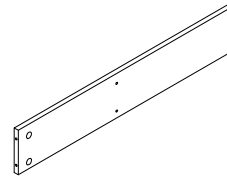
1 PC

H



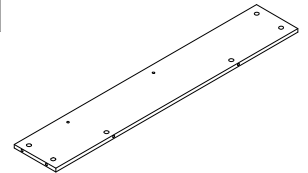
1 PC

I



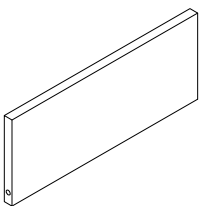
1 PC

J



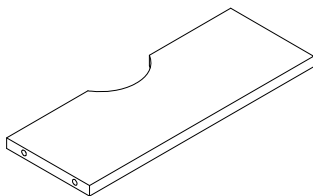
1 PC

K



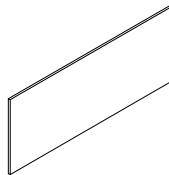
1 PC

L



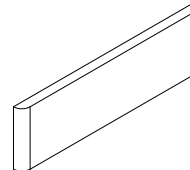
1 PC

M



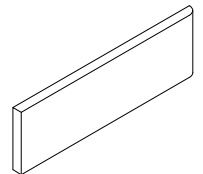
2 PCS

N



1 PC

O



1 PC

## ⚠ Care Instructions

Dust surface with a dry soft cloth.

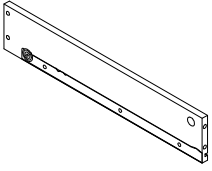
Do not use window cleaners or cleaning abrasives as they will scratch the surface and could damage the protective coating

## ⚠ WARNING

Small parts and sharp edges may be present prior to assembly.

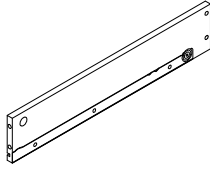
## Product Parts

P



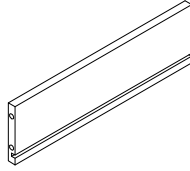
2 PCS

Q



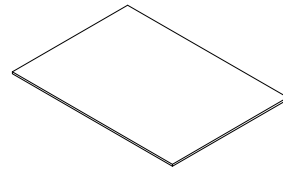
2 PCS

R



2 PCS

S



2 PCS

T



4 PCS

### ⚠ Care Instructions

Dust surface with a dry soft cloth.

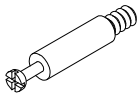
Do not use window cleaners or cleaning abrasives as they will scratch the surface and could damage the protective coating

### ⚠ WARNING

Small parts and sharp edges may be present prior to assembly.

# Hardware

1



35mm

23 pcs

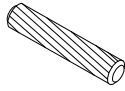
2



$\phi$  15\*10

23 pcs

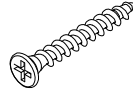
3



$\phi$  6\*30

20 pcs

4



$\phi$  4\*35

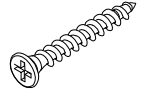
16 pcs

5



2 pcs

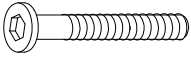
6



$\phi$  4\*30

16 pcs

7



$\phi$  6\*60

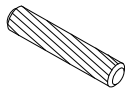
8 pcs

8



8 pcs

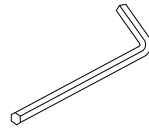
9



$\phi$  8\*40

4 pcs

10



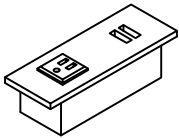
1 pc

11



4 pcs

12



1 pc

13



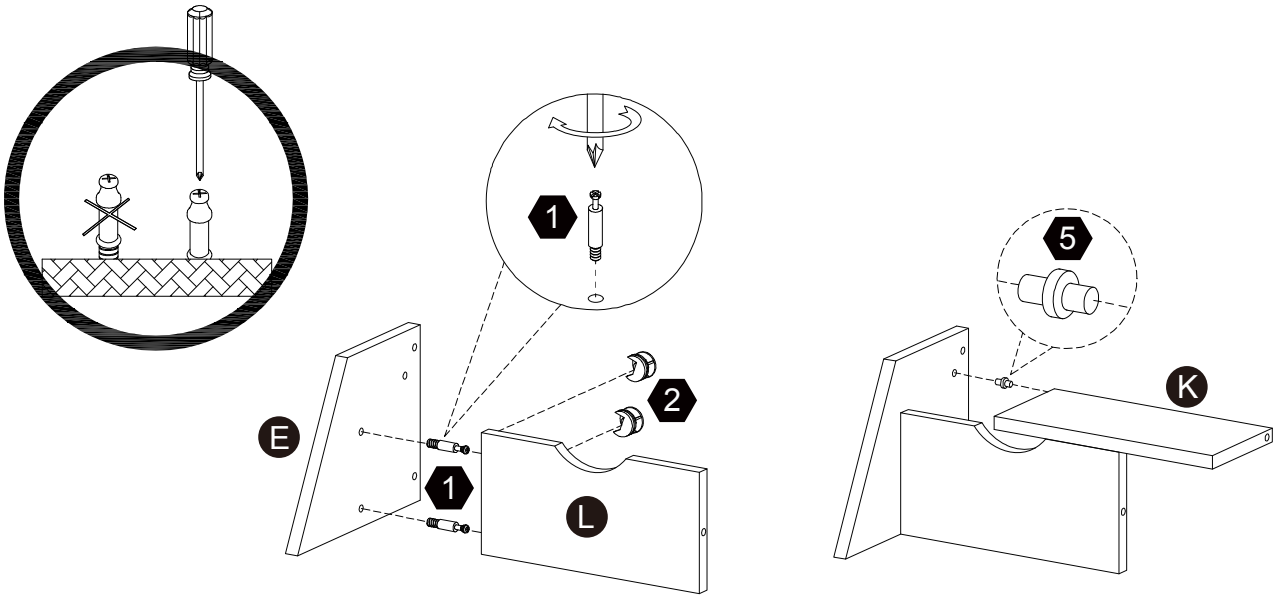
$\phi$  3\*12

2 pcs

**Note:** Phillips screwdriver is necessary to complete the assembly and is not included

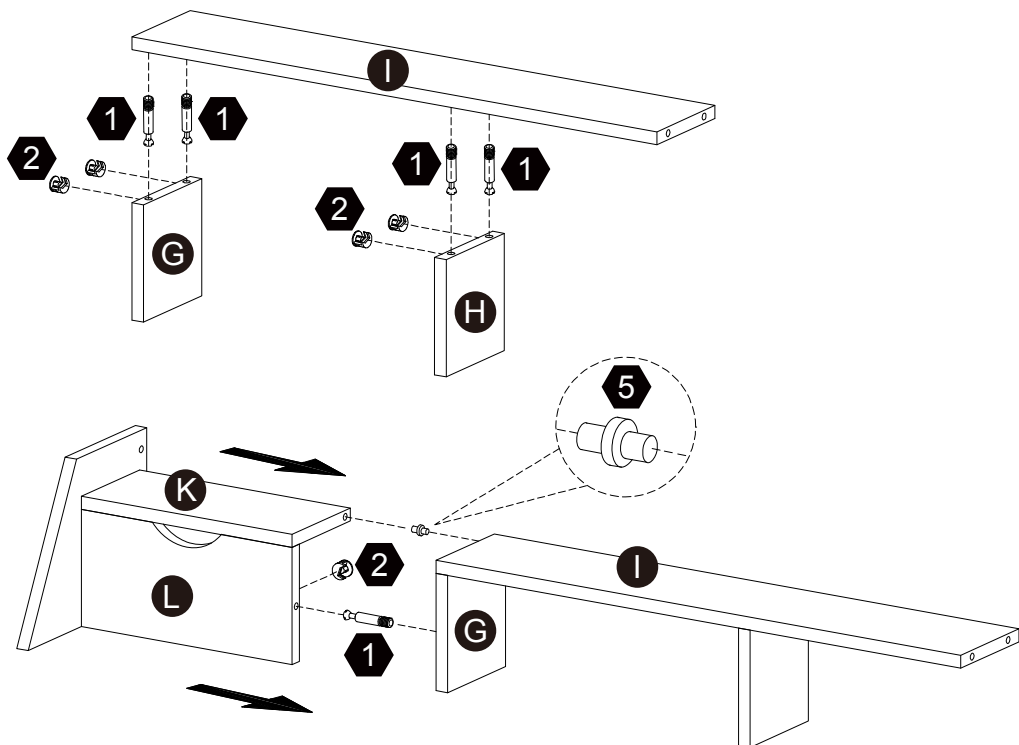
## Step 1

- 1**  35mm 2 pcs    **2**   $\varnothing 15 \times 10$  2 pcs    **5**  1 pc



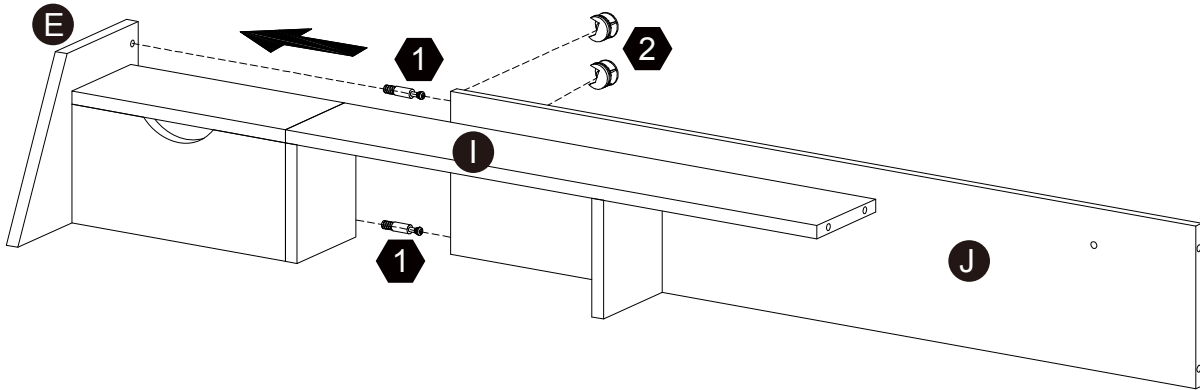
## Step 2

- 1**  35mm 5 pcs    **2**   $\varnothing 15 \times 10$  5 pcs    **5**  1 pc



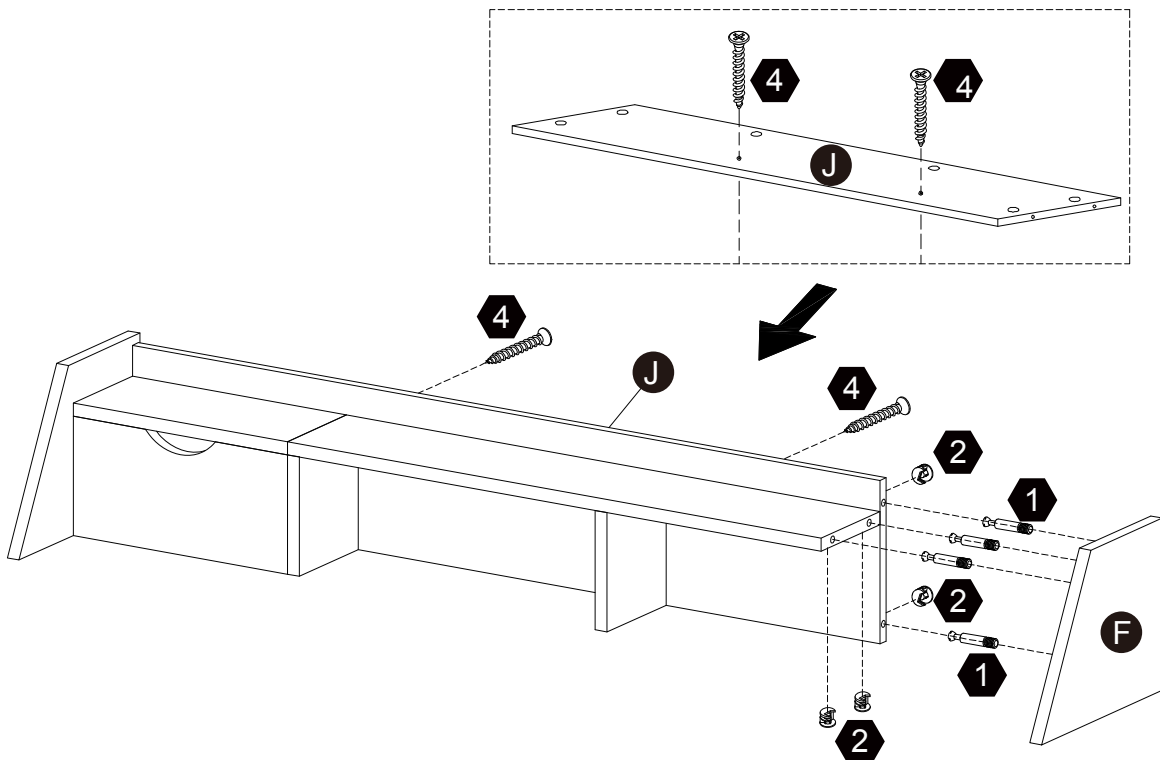
### Step 3

- 1**  35mm 2 pcs    **2**   $\phi 15 \times 10$  2 pcs



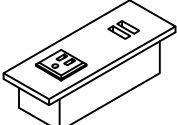
### Step 4

- 1**  35mm 4 pcs    **2**   $\phi 15 \times 10$  4 pcs    **4**   $\phi 4 \times 35$  2 pcs

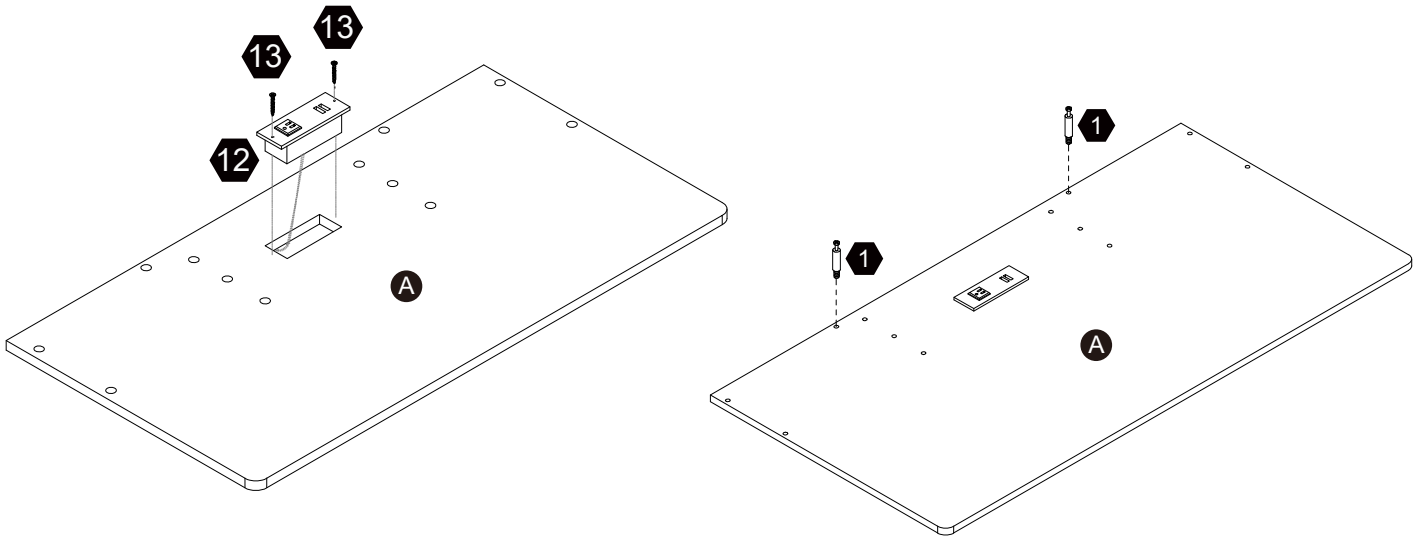


## Step 5


**1**  35mm 2 pcs

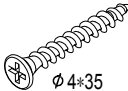
**12**  1 pc

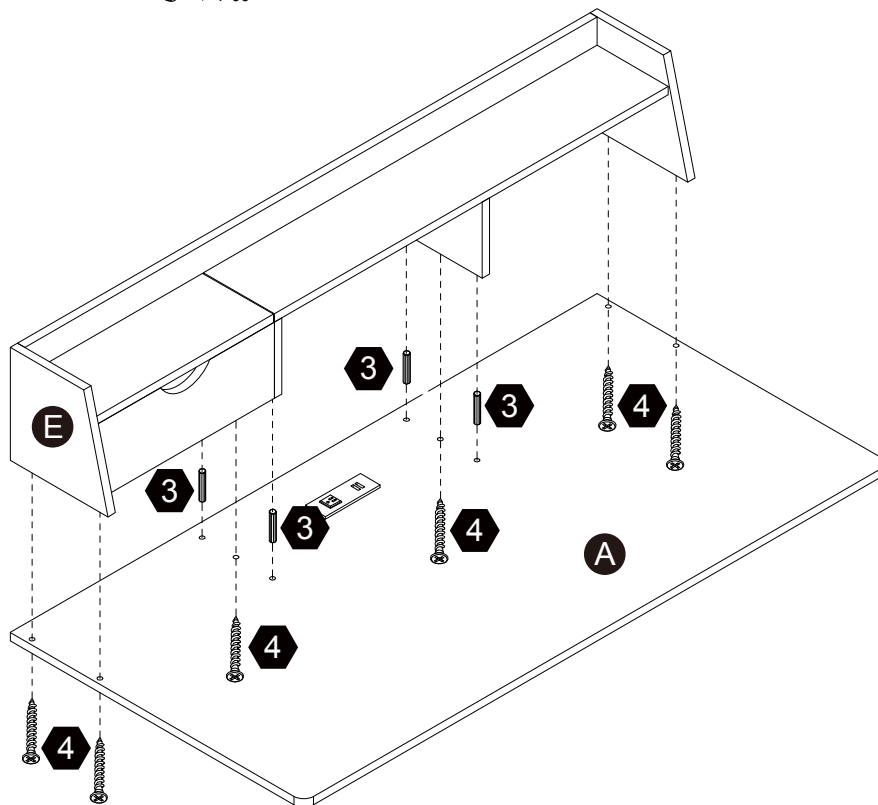
**13**   $\phi 3 \times 12$  2 pcs



## Step 6

**3**   $\phi 6 \times 30$  4 pcs

**4**   $\phi 4 \times 35$  6 pcs



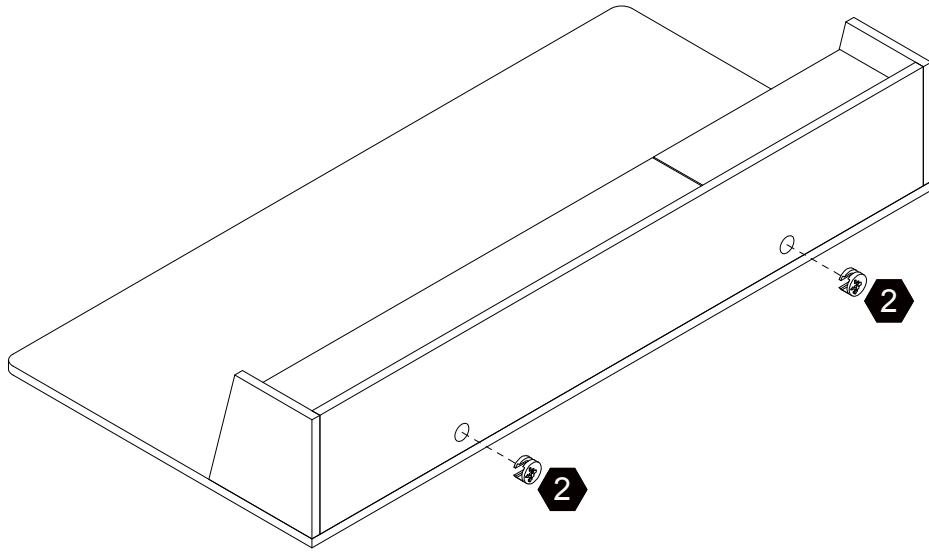
## Step 7

2



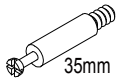
Ø 15\*10

2 pcs



## Step 8

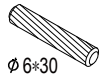
1



35mm

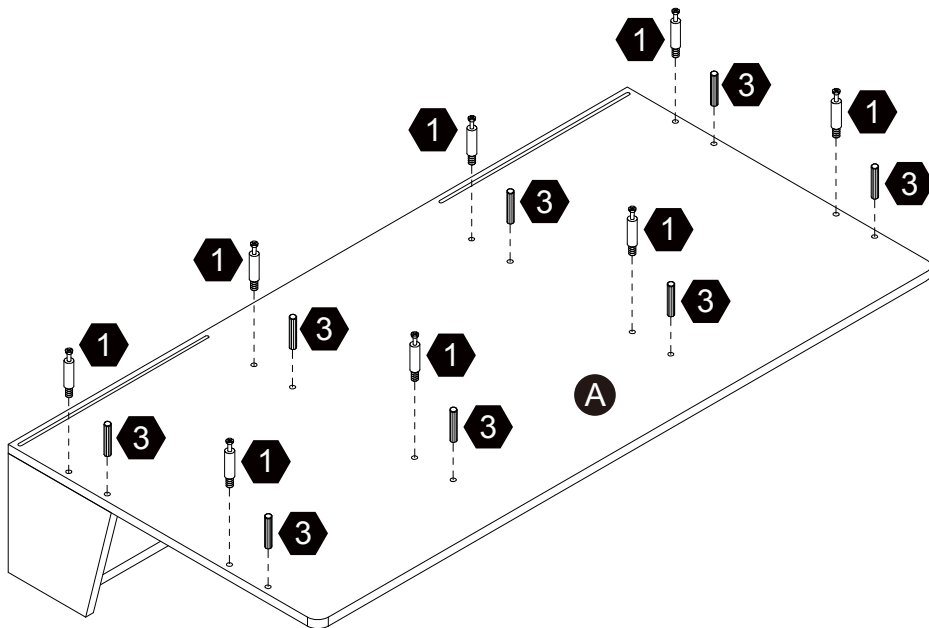
8 pcs

3



Ø 6\*30

8 pcs



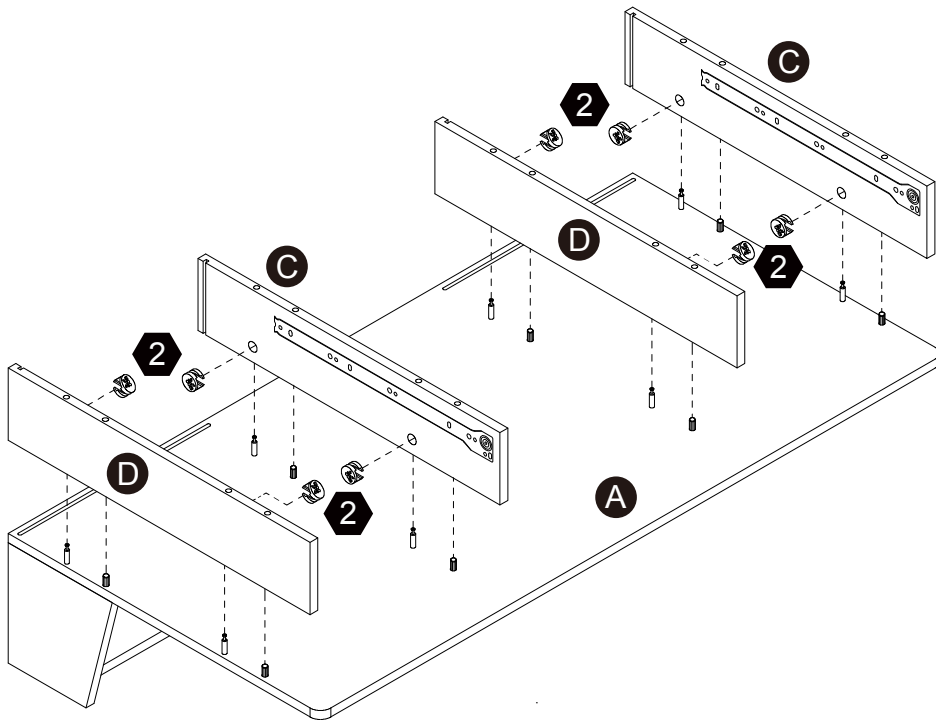
## Step 9

2

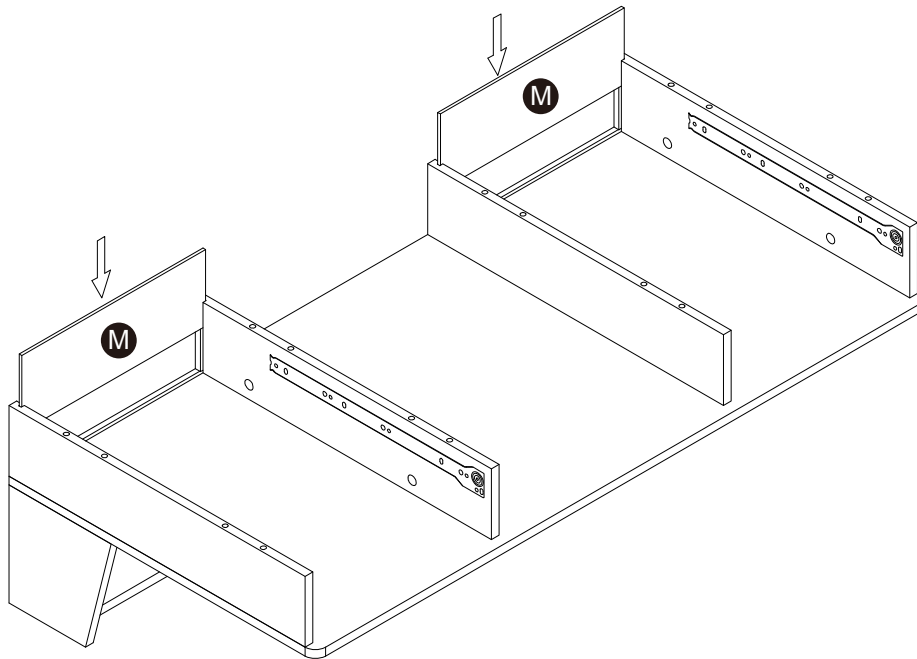


Ø 15×10

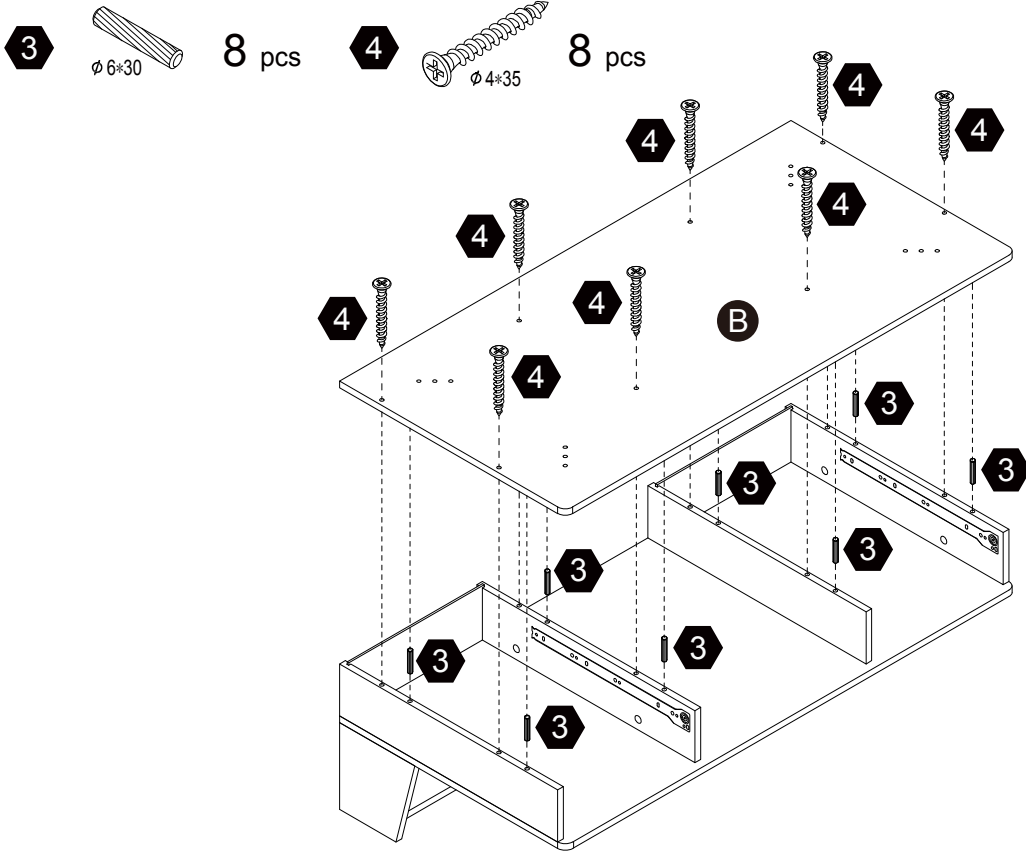
8 pcs



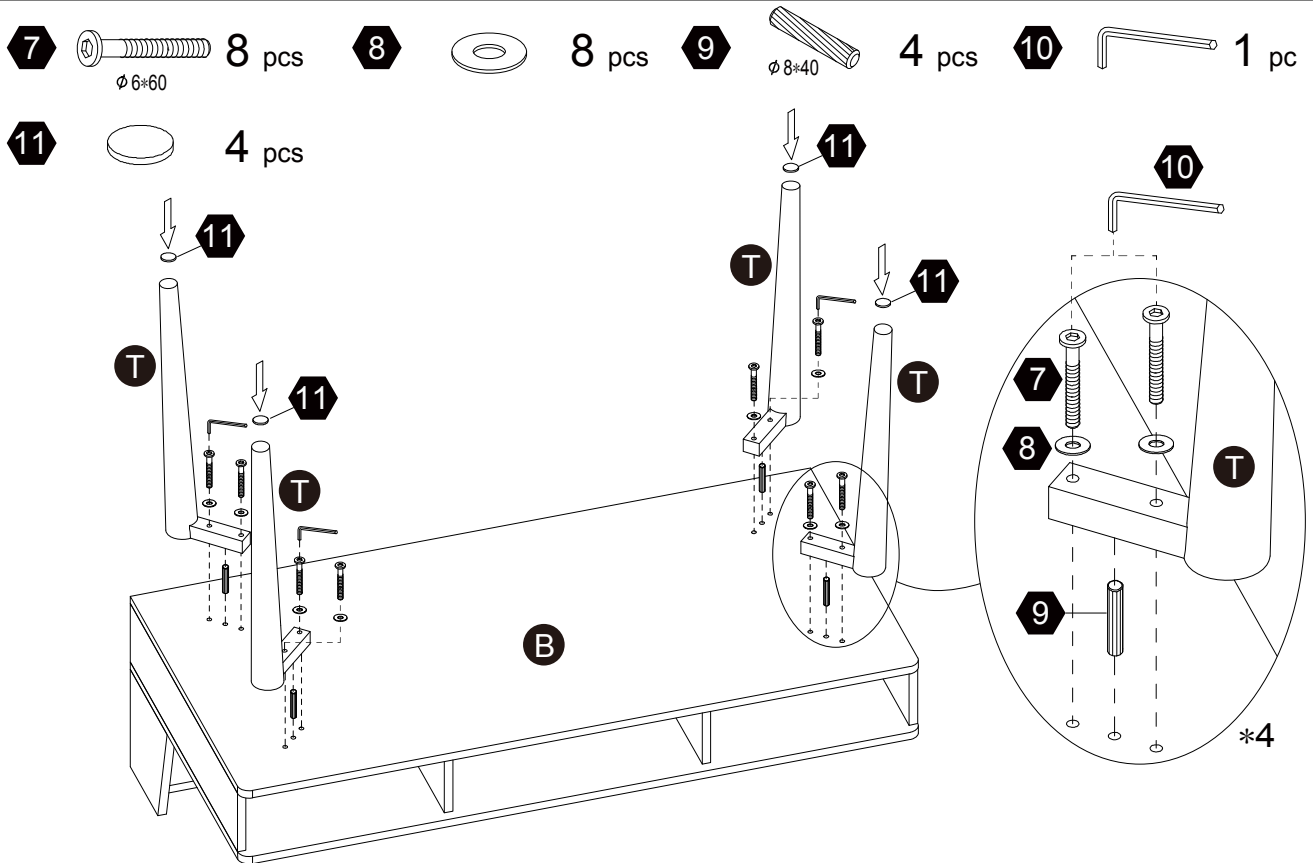
## Step 10



## Step 11

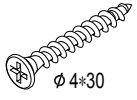


## Step 12

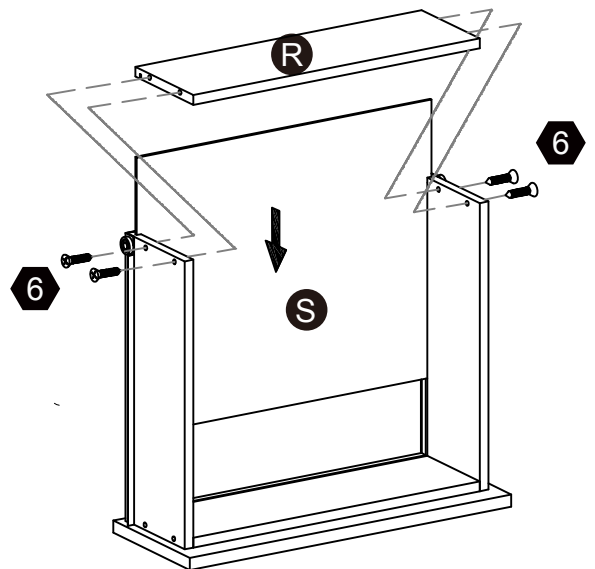
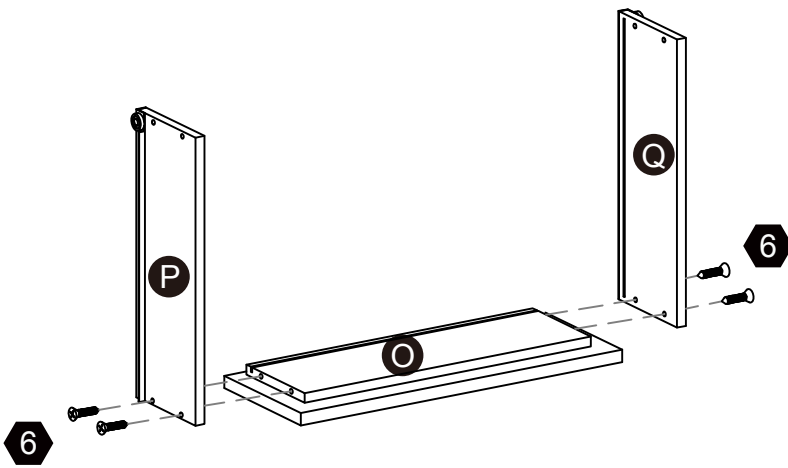
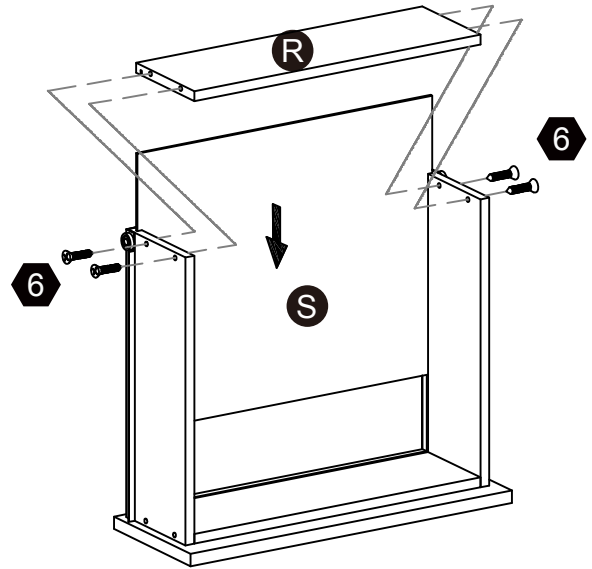
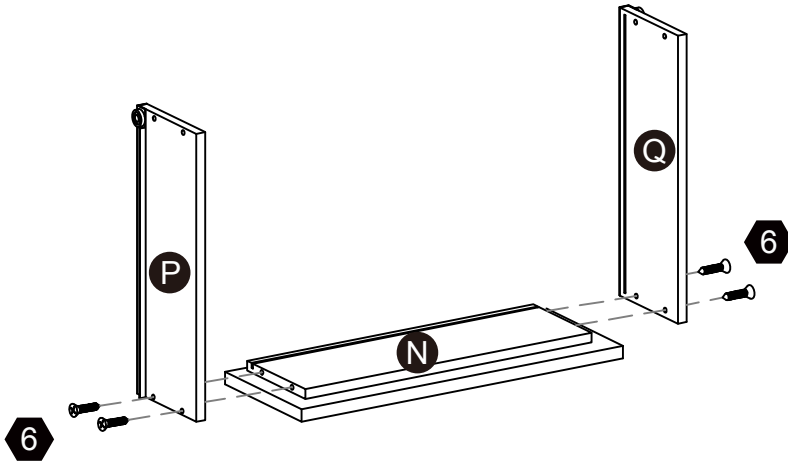


# Step 13

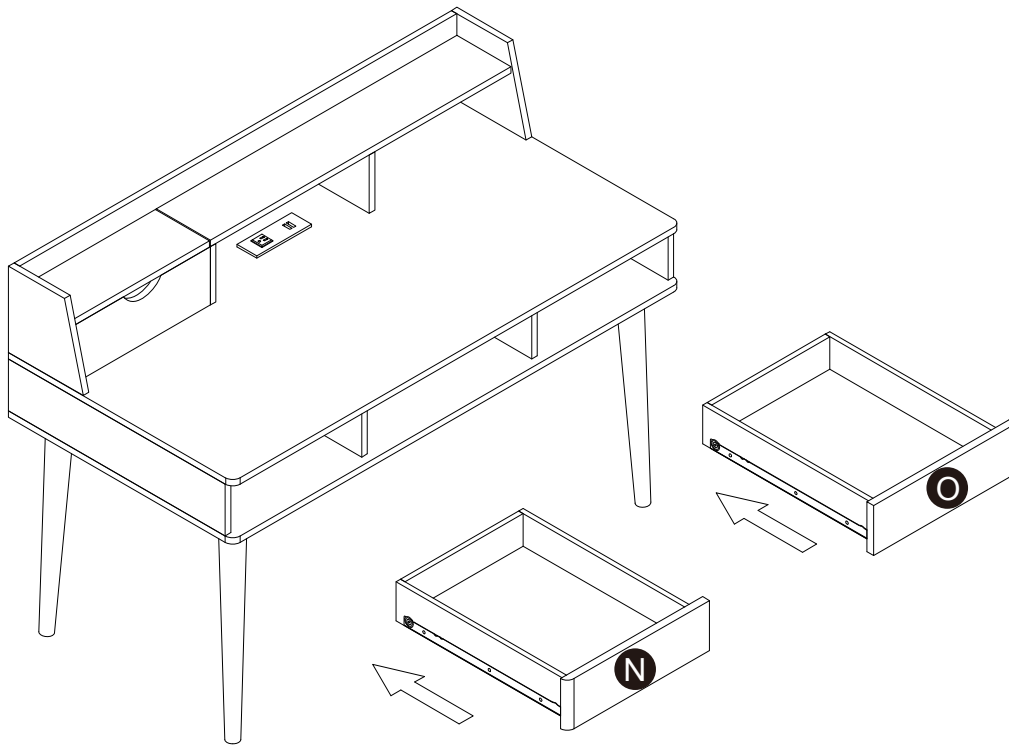
6



16 pcs



## Step 14



## Step 15

