

**Bed Frame**



# Safety And Maintanances

## Important - Please read these instructions carefully before assembly

Please verify that all the components and tools listed have been received.

Please remove all fittings from the box and separate them into homologous groups.

Please keep children and animals away from the working areas;swallow small parts may cause suffocation.

Please make sure you have enough space to lay out the parts before starting.

Please assemble the products as close to their final position as possible.

Do not place furniture directly in front of radiators, fires, or any other source of heat.

Having two people will make the assembly process easier.

Please dispose of all packaging carefully and responsibly.



## General care and maintenance

Please clean the product with a damp cloth; do not use bleach or abrasive cleaners.

Do not allow the spill to stay on the surface for a long time.

Do not clean with products containing the following: acetone(e.g.,nail varnish remover), ammonia(e.g.,bleach),or sodium hydroxide(e.g.,caustic soda, drain and oven cleaners).

Please check whether there are missing screws in the product regularly.

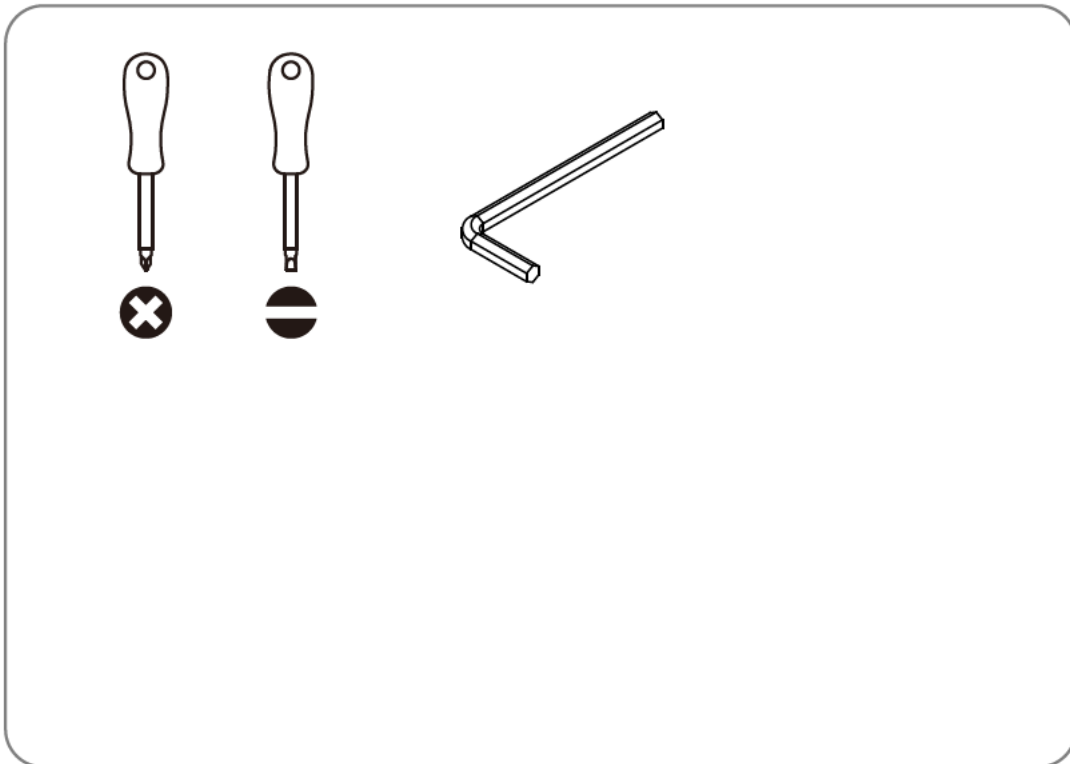
The product should not be discarded with household waste. and please take it to your local disposal center.



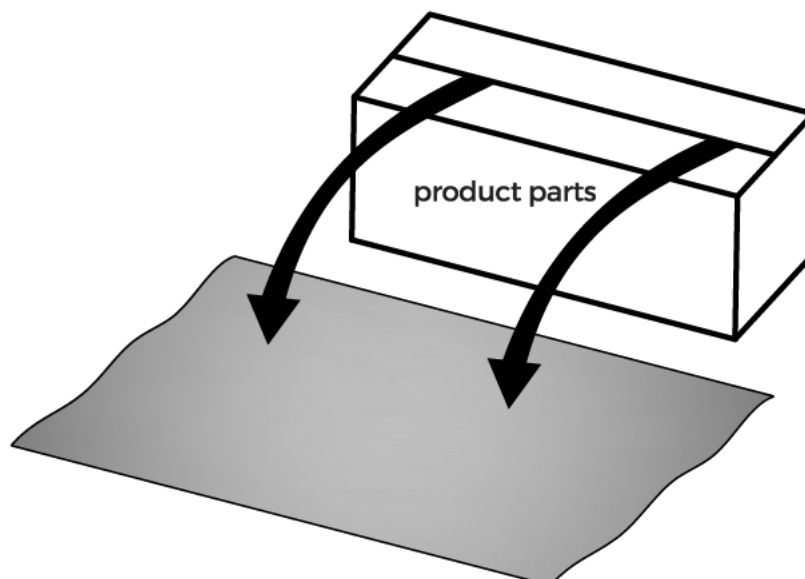
## Safety And Maintanances

**Important - Please read the instructions carefully before assembly.**

### Tools Required

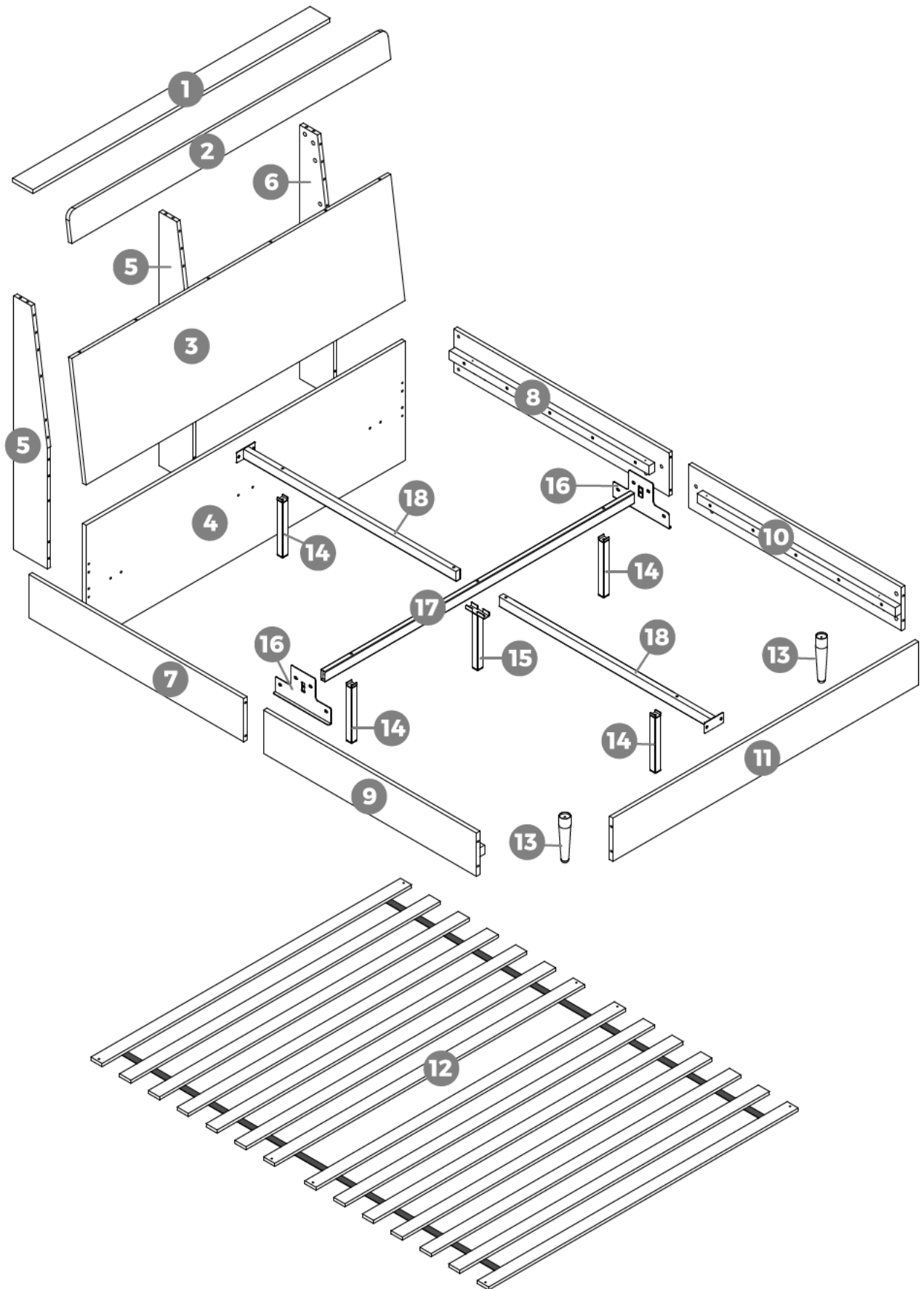


Lay a piece of clean paper or carpet on the floor, then put the product parts on it to prevent scratching.



# Components

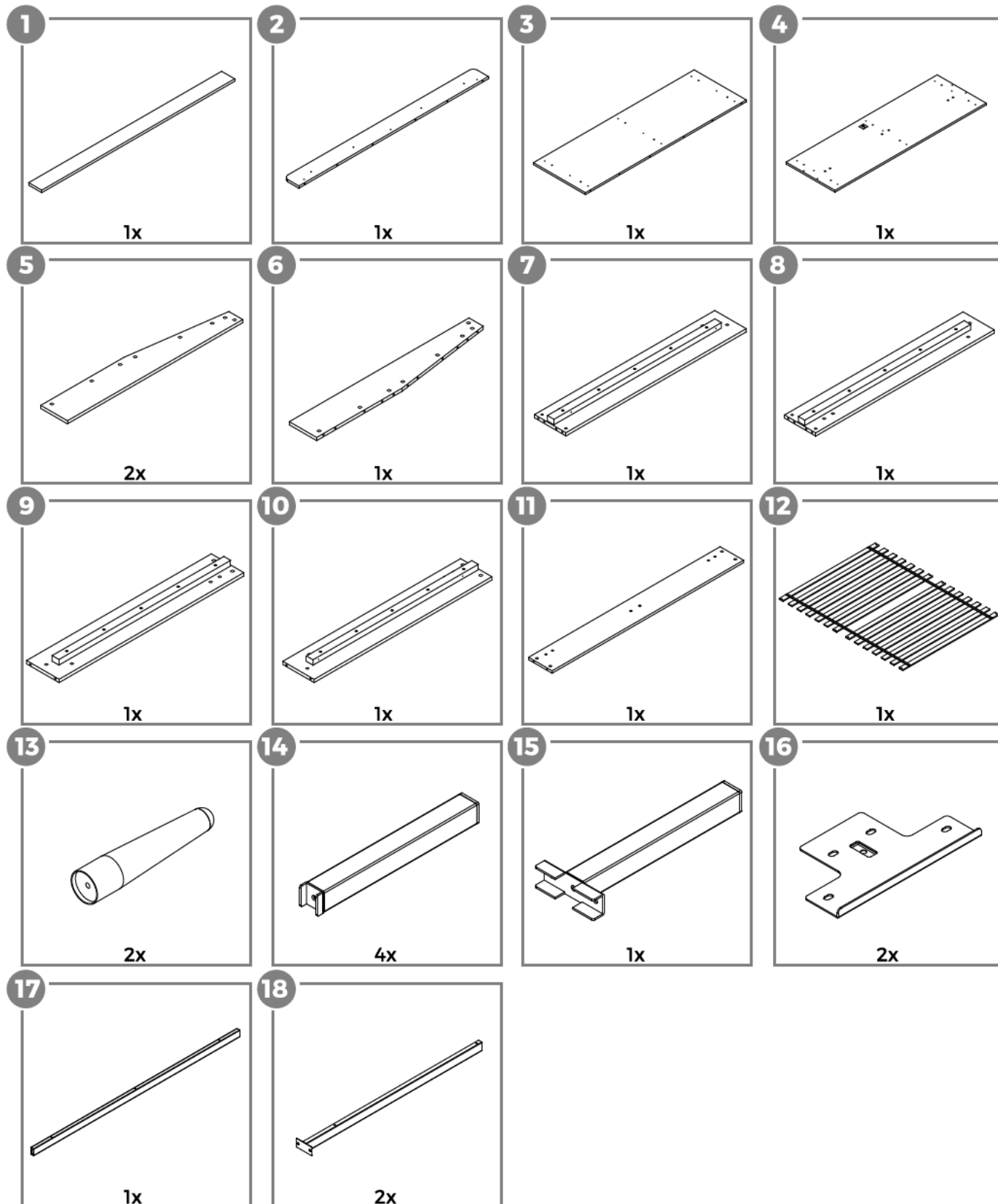
Please check if all the pieces listed below are received.



# Components

Please check if all the pieces listed below are received.

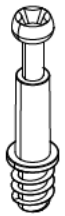


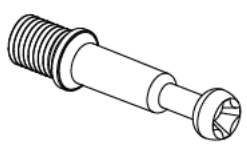
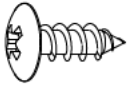
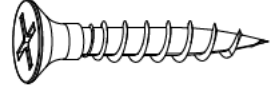


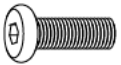
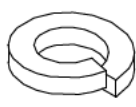

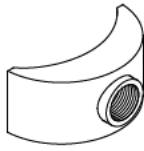
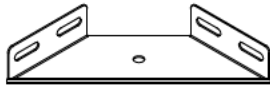
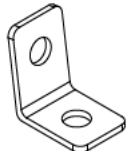
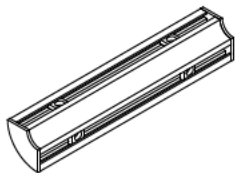
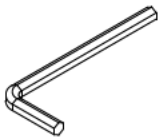
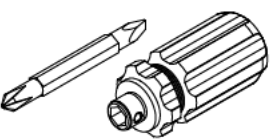
## Parts



# Components

Please check if all the pieces listed below are received.

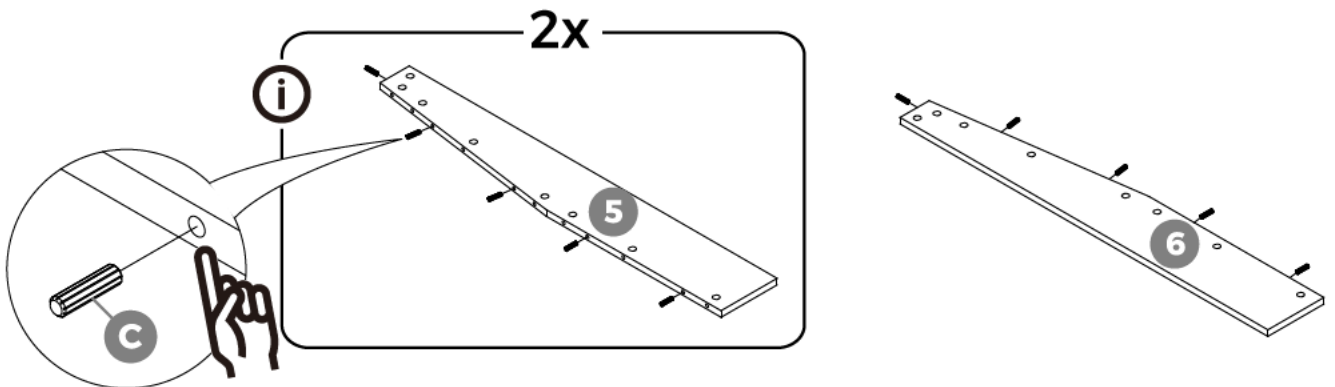
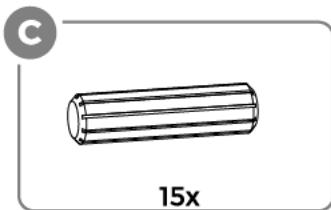
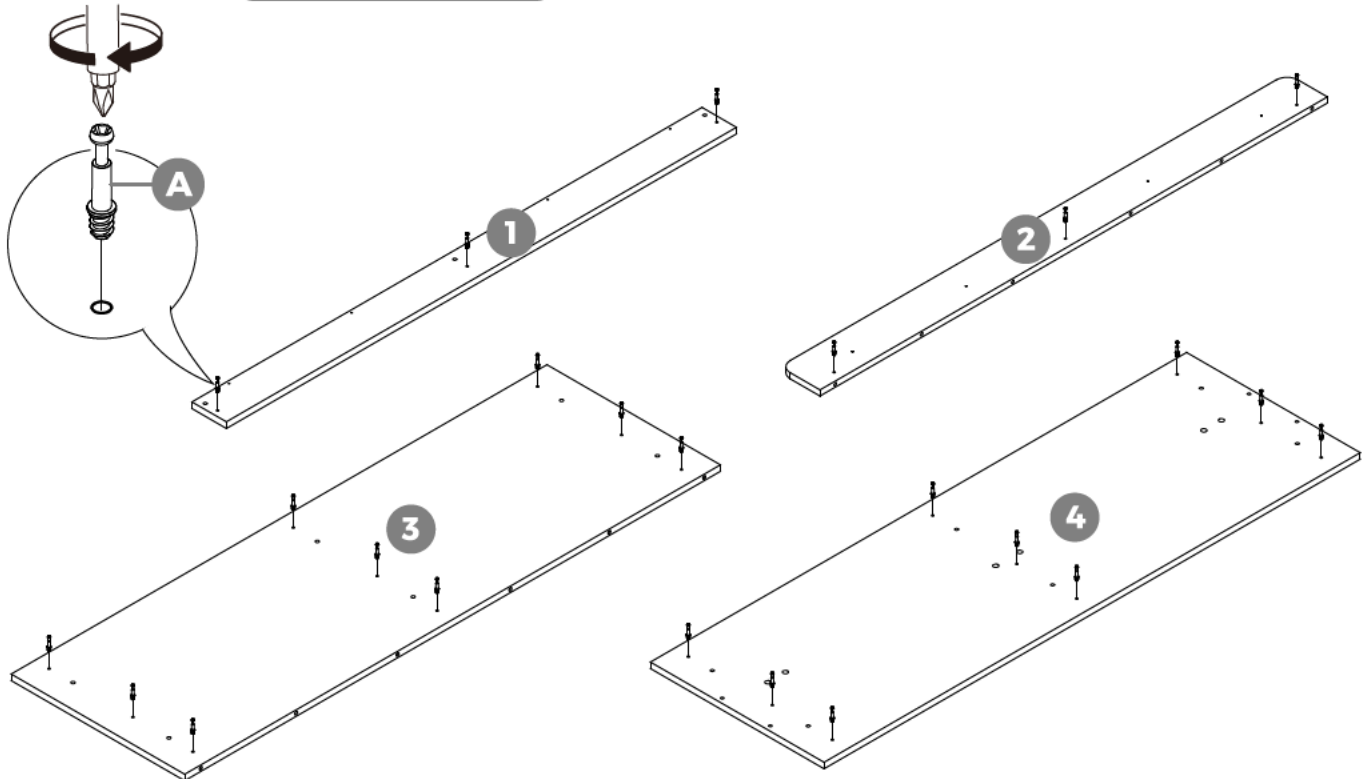
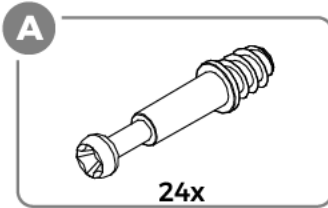
## Hardware

<b>A</b>  24x	<b>B</b>  32x	<b>C</b>  Ø8*30 mm 29x	<b>D</b>  8x
<b>E</b>  #6*13 mm 8x	<b>F</b>  #8*25 mm 8x	<b>G</b>  M6*50 mm 11x	<b>H</b>  M6*25 mm 2x
<b>I</b>  M6*16 30x	<b>J</b>  41x	<b>K</b>  41x	<b>L</b>  4x
<b>M</b>  4x	<b>N</b>  4x	<b>O</b>  2x	<b>P</b>  1x
<b>Q</b>  1x			

# Assembly Instructions

**CAUTION : Inappropriate installation of screws will cause damages to the product !**

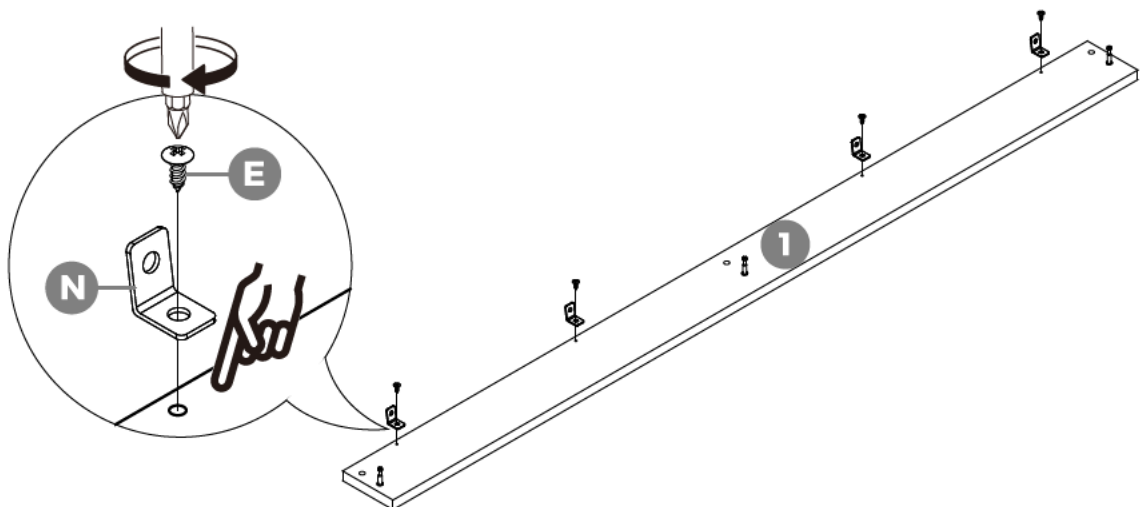
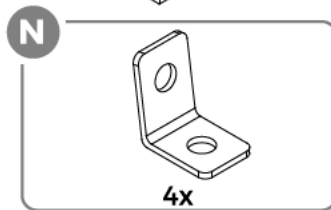
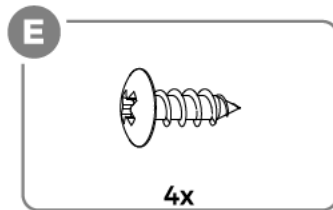
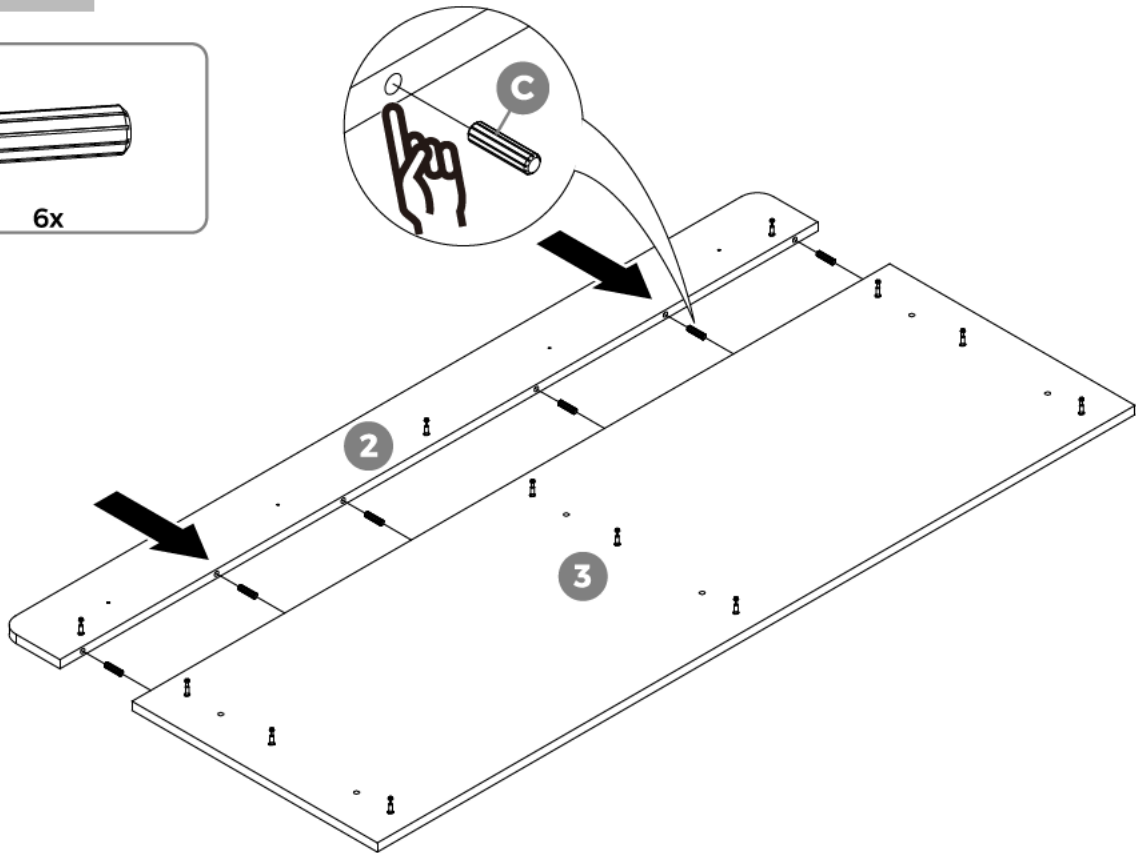
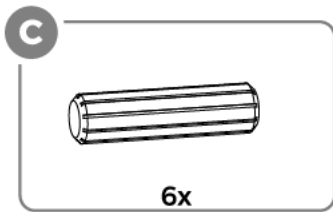
## Step 1



# Assembly Instructions

**CAUTION : Inappropriate installation of screws will cause damages to the product !**

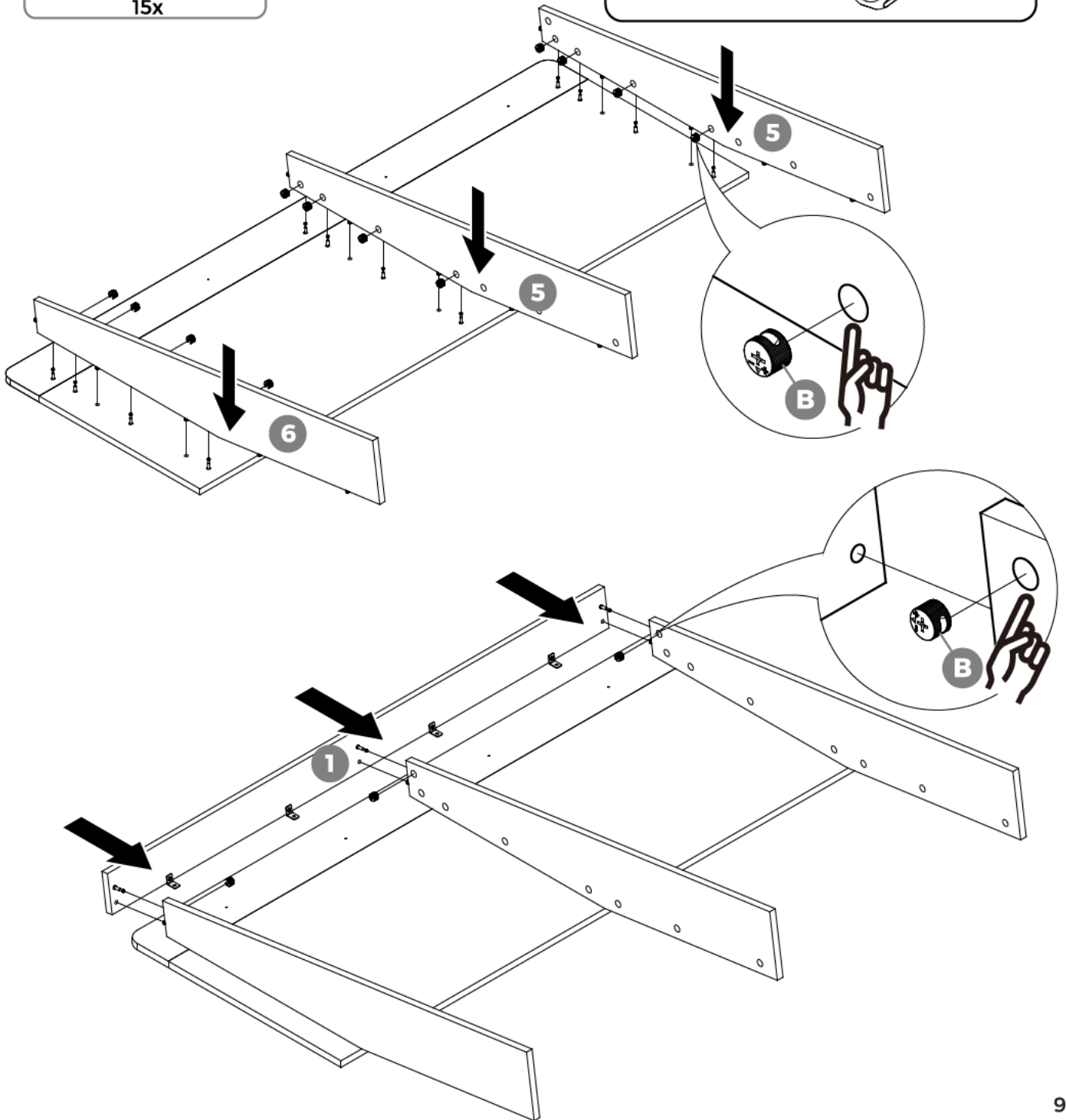
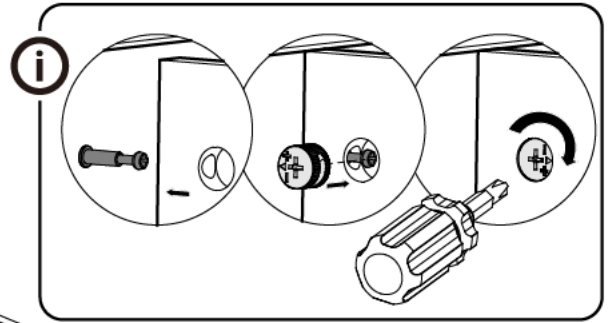
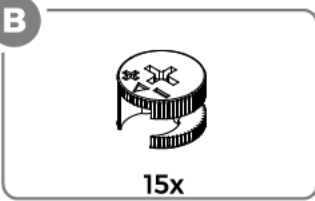
## Step 2



# Assembly Instructions

**CAUTION : Inappropriate installation of screws will cause damages to the product !**

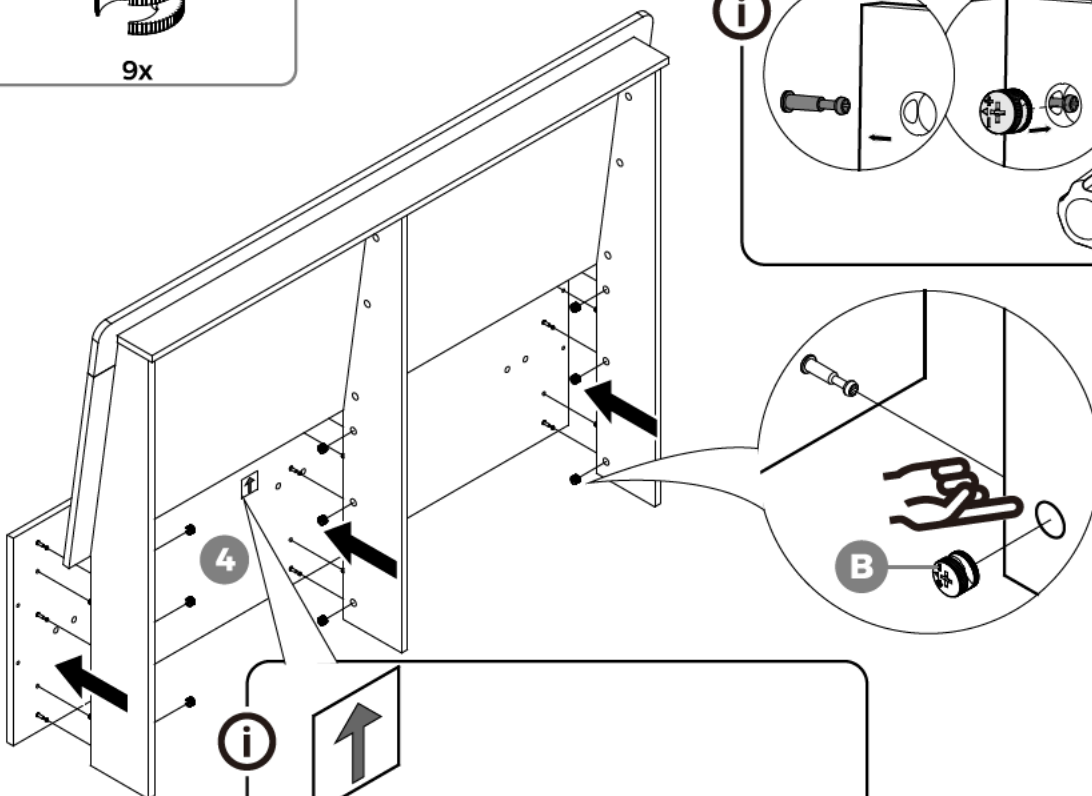
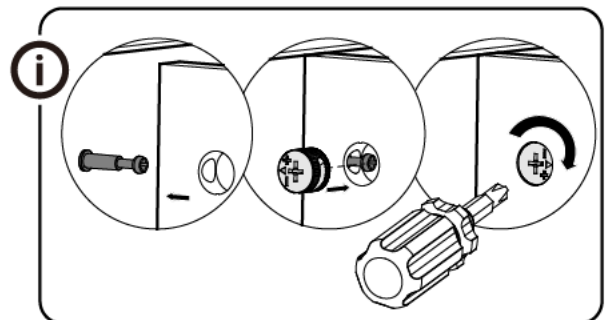
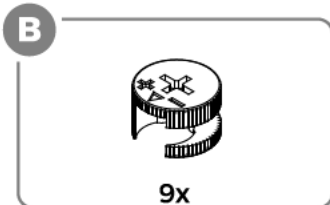
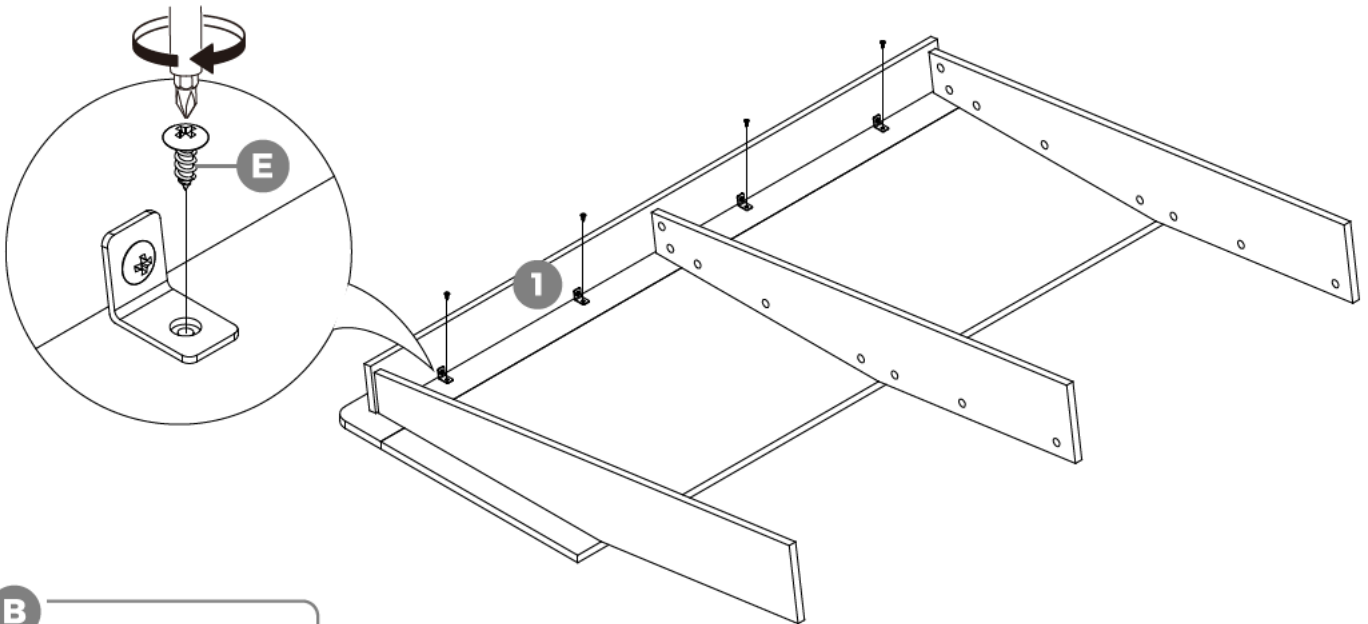
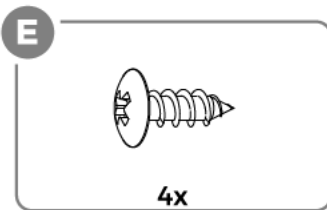
## Step 3




# Assembly Instructions

**CAUTION : Inappropriate installation of screws will cause damages to the product !**

## Step 4

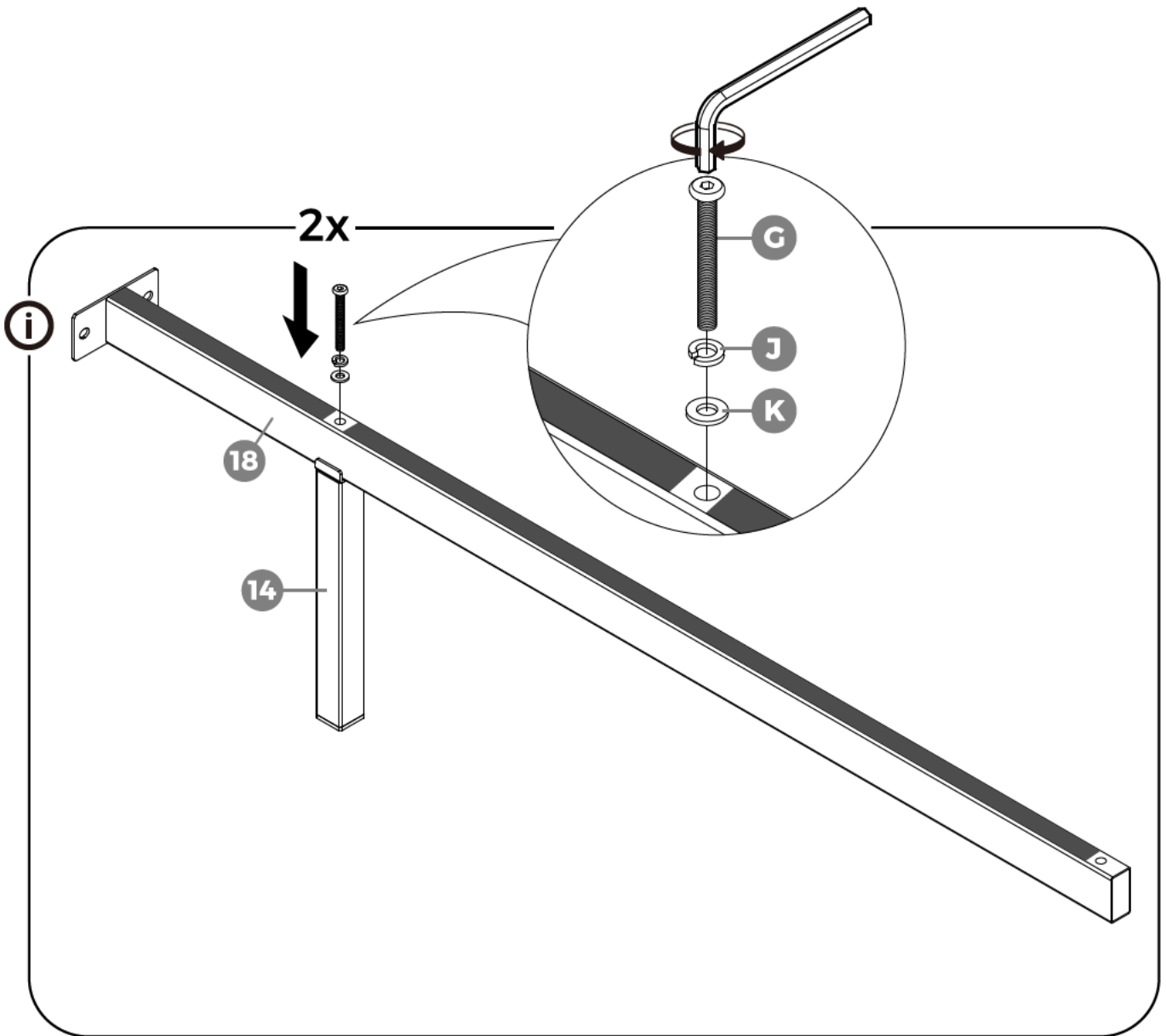
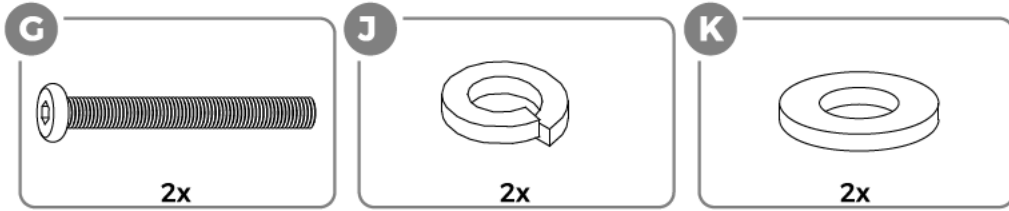


**i**  Please mind the upward marking.

# Assembly Instructions

**CAUTION : Inappropriate installation of screws will cause damages to the product !**

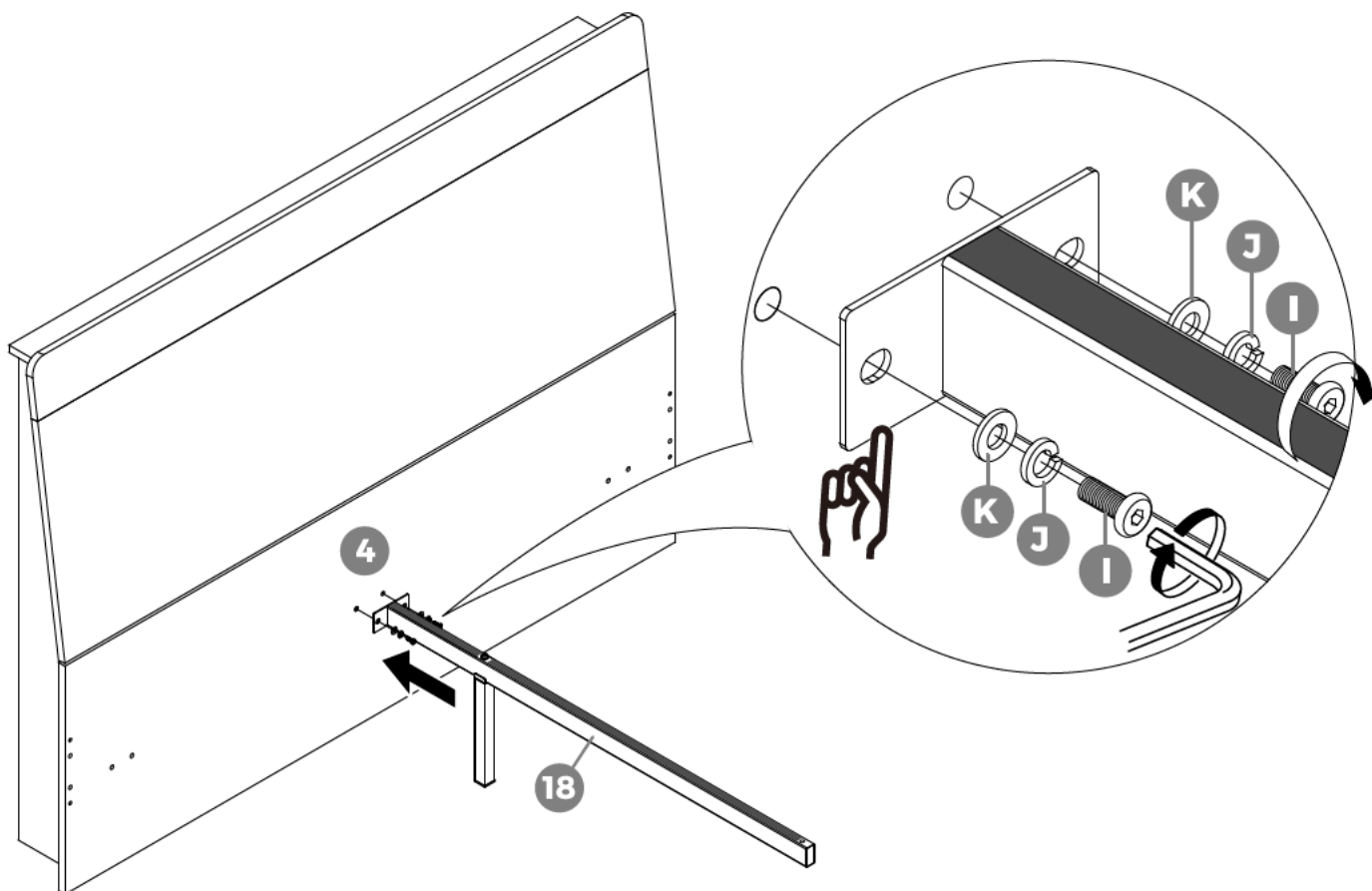
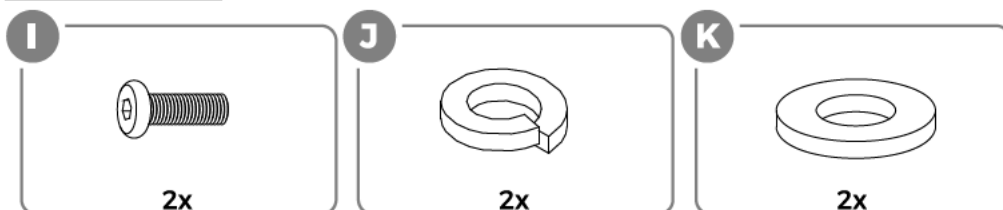
## Step 5



# Assembly Instructions

**CAUTION : Inappropriate installation of screws will cause damages to the product !**

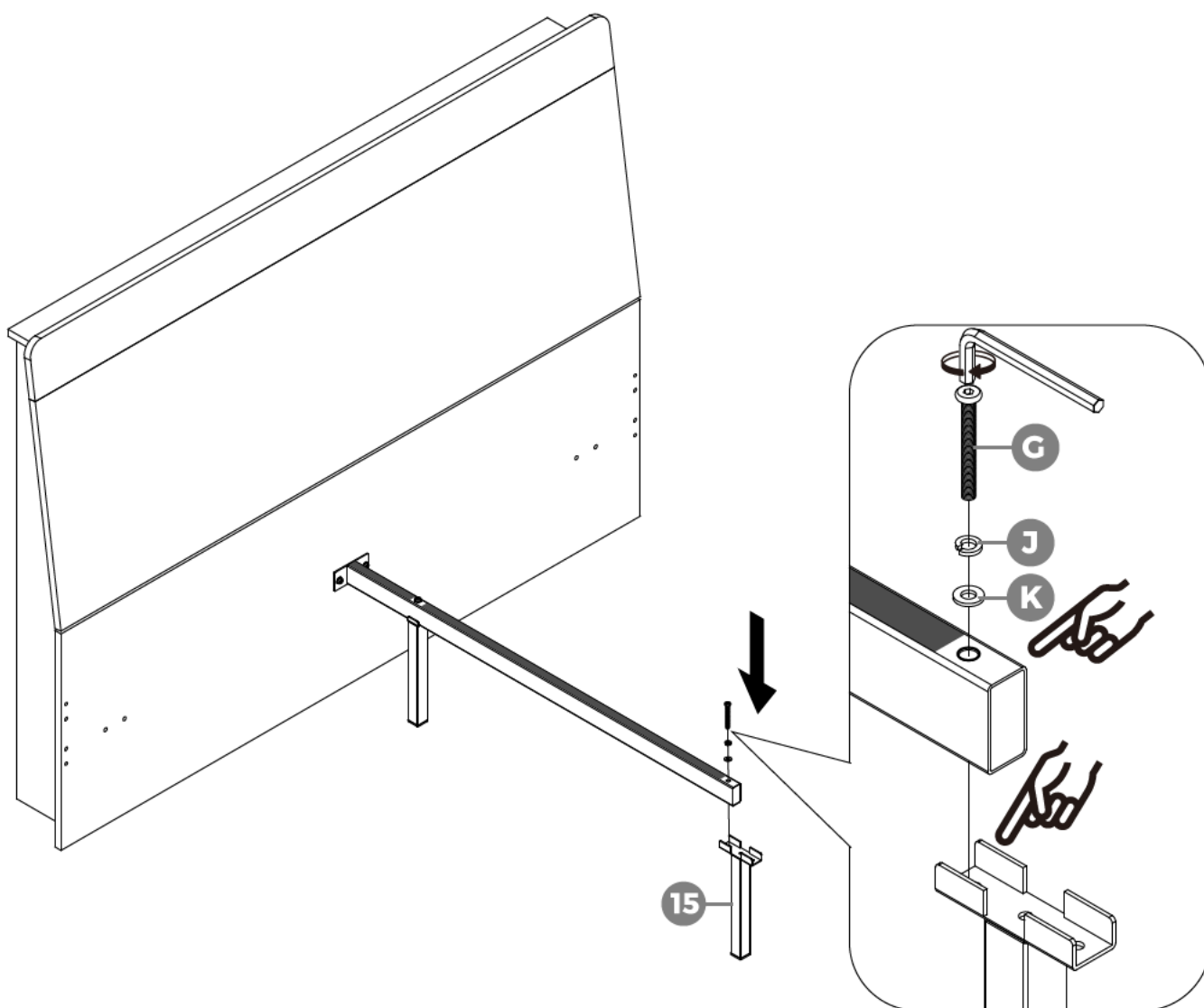
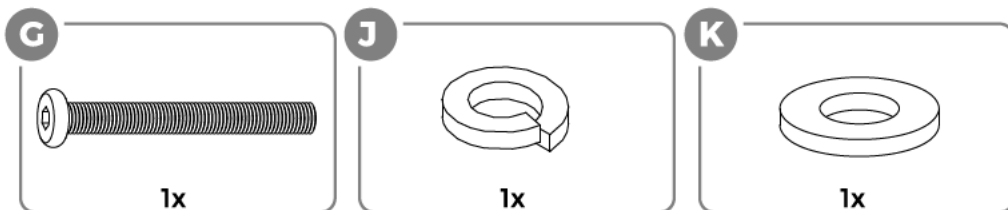
## Step 6



# Assembly Instructions

**CAUTION : Inappropriate installation of screws will cause damages to the product !**

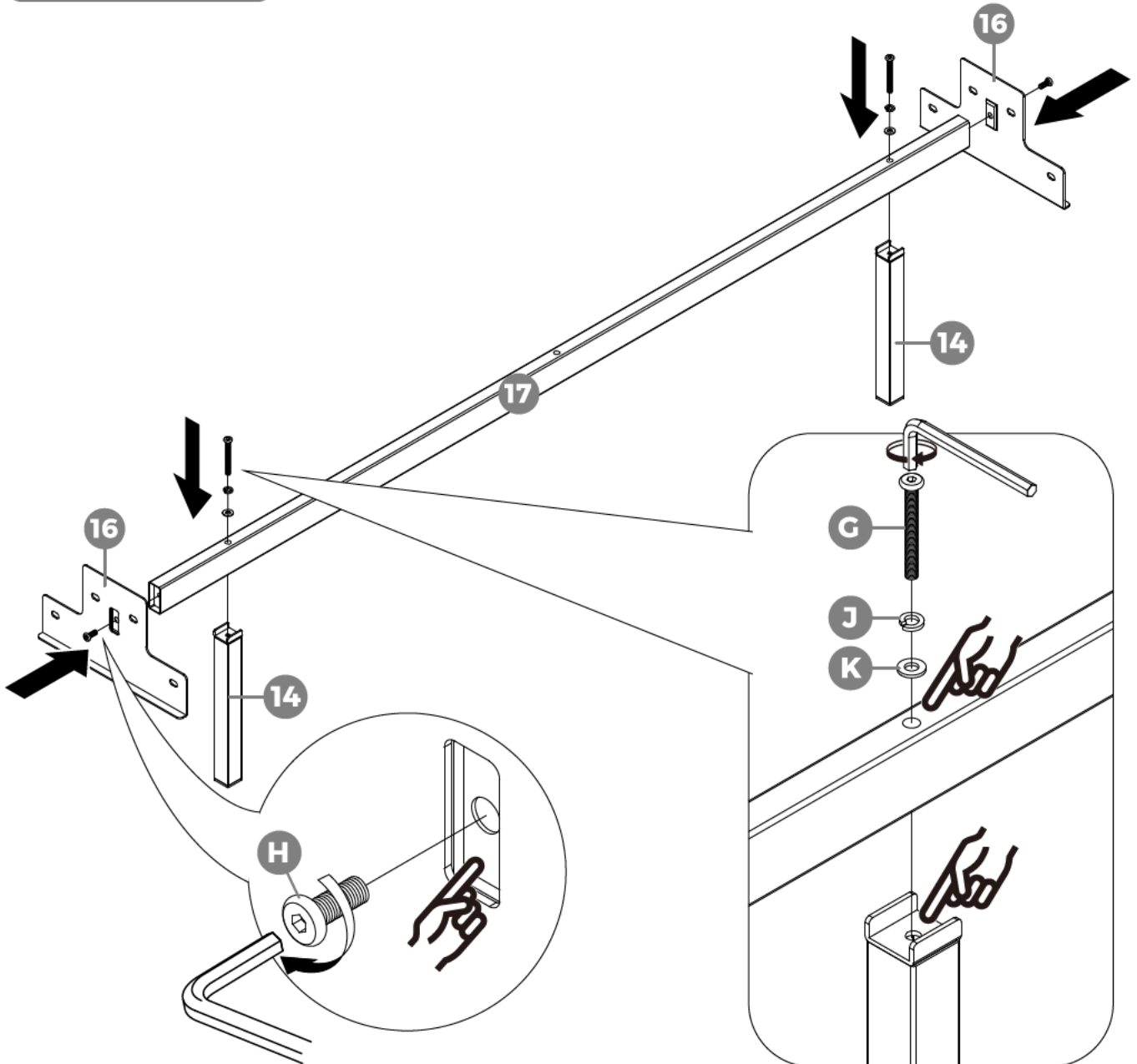
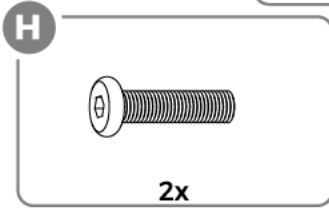
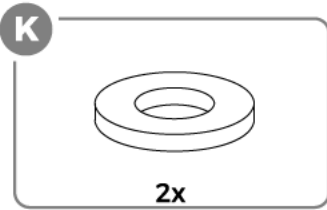
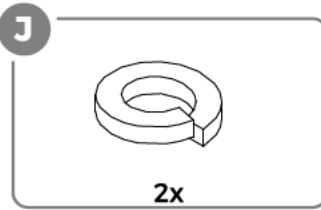
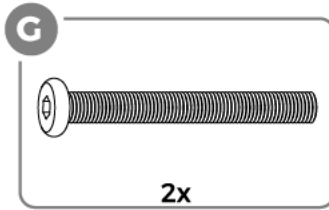
## Step 7



# Assembly Instructions

**CAUTION : Inappropriate installation of screws will cause damages to the product !**

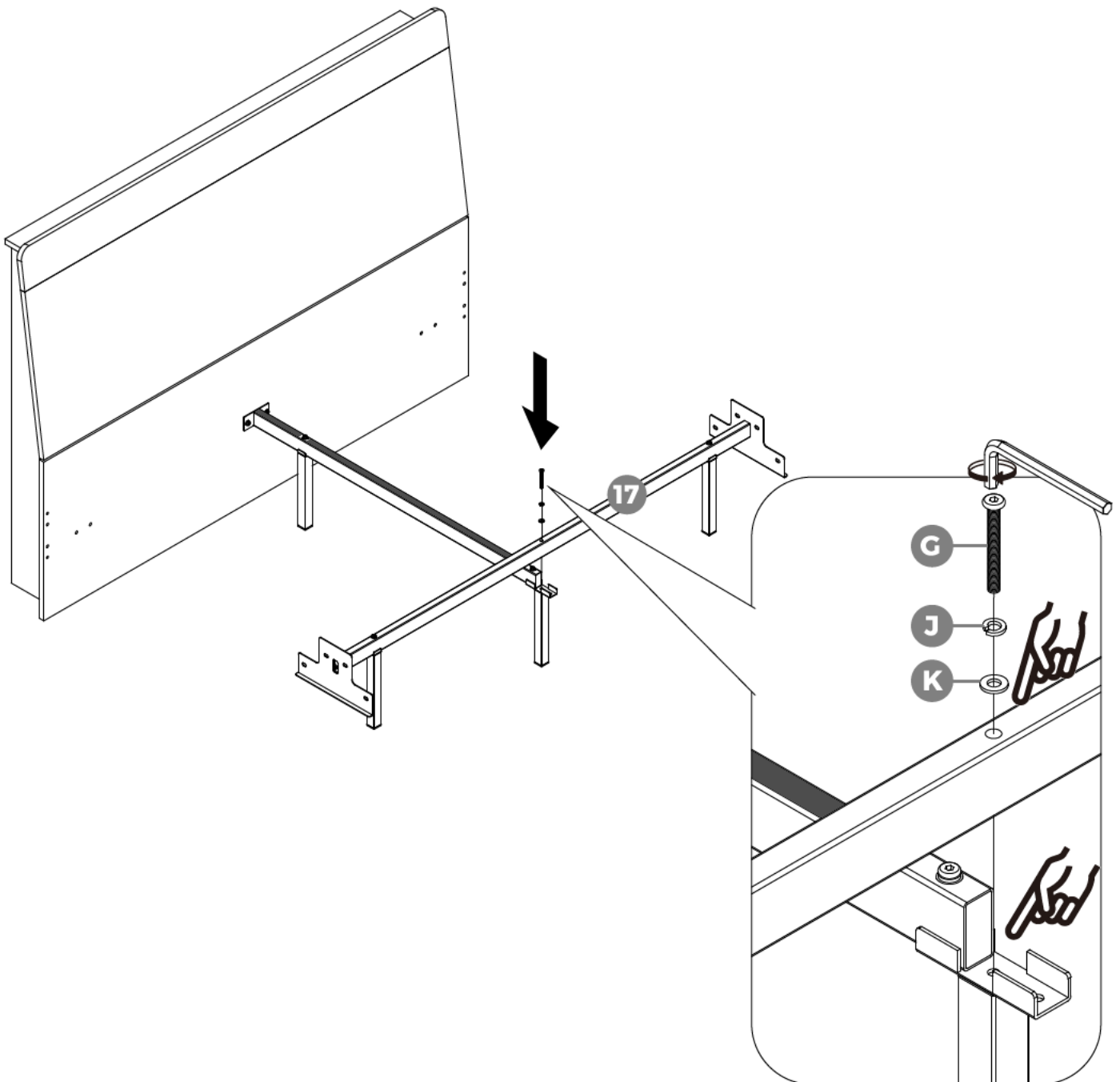
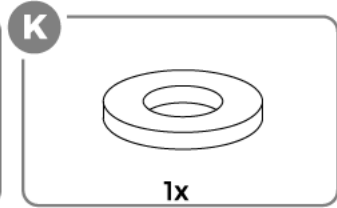
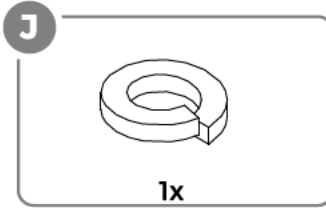
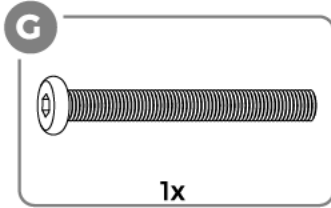
## Step 8



# Assembly Instructions

**CAUTION : Inappropriate installation of screws will cause damages to the product !**

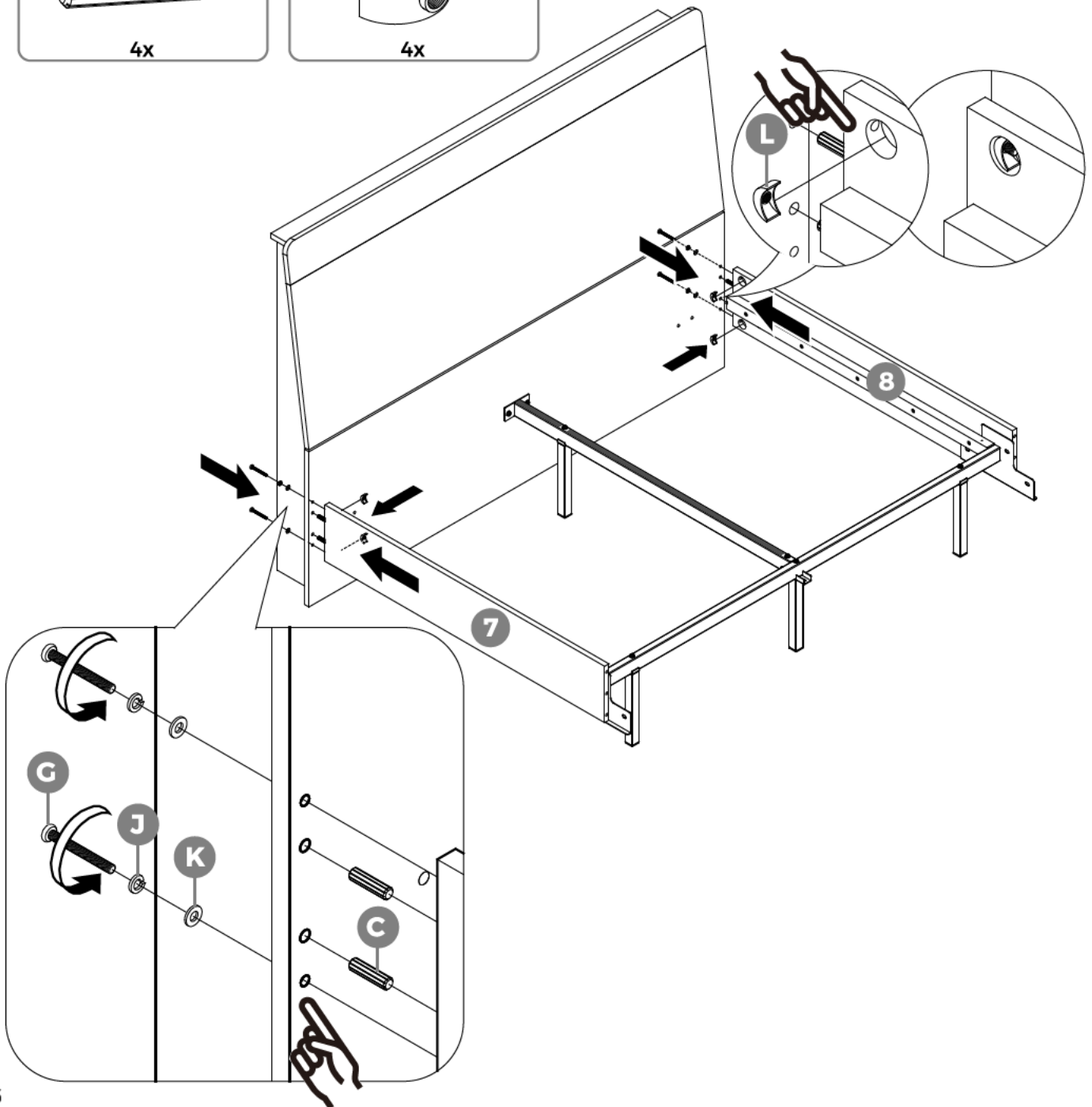
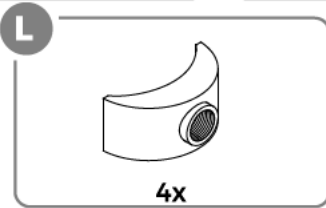
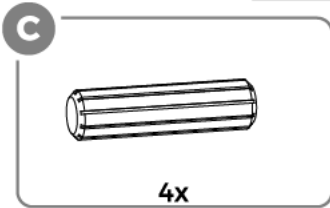
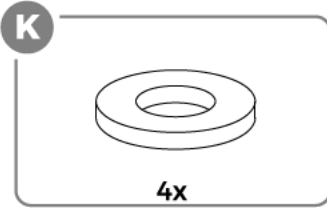
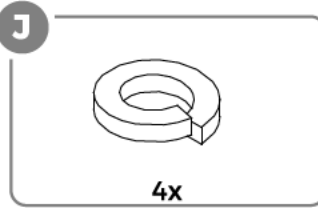
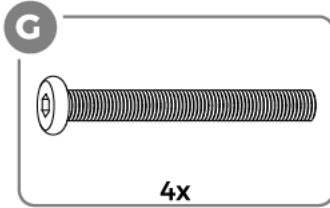
## Step 9



# Assembly Instructions

**CAUTION : Inappropriate installation of screws will cause damages to the product !**

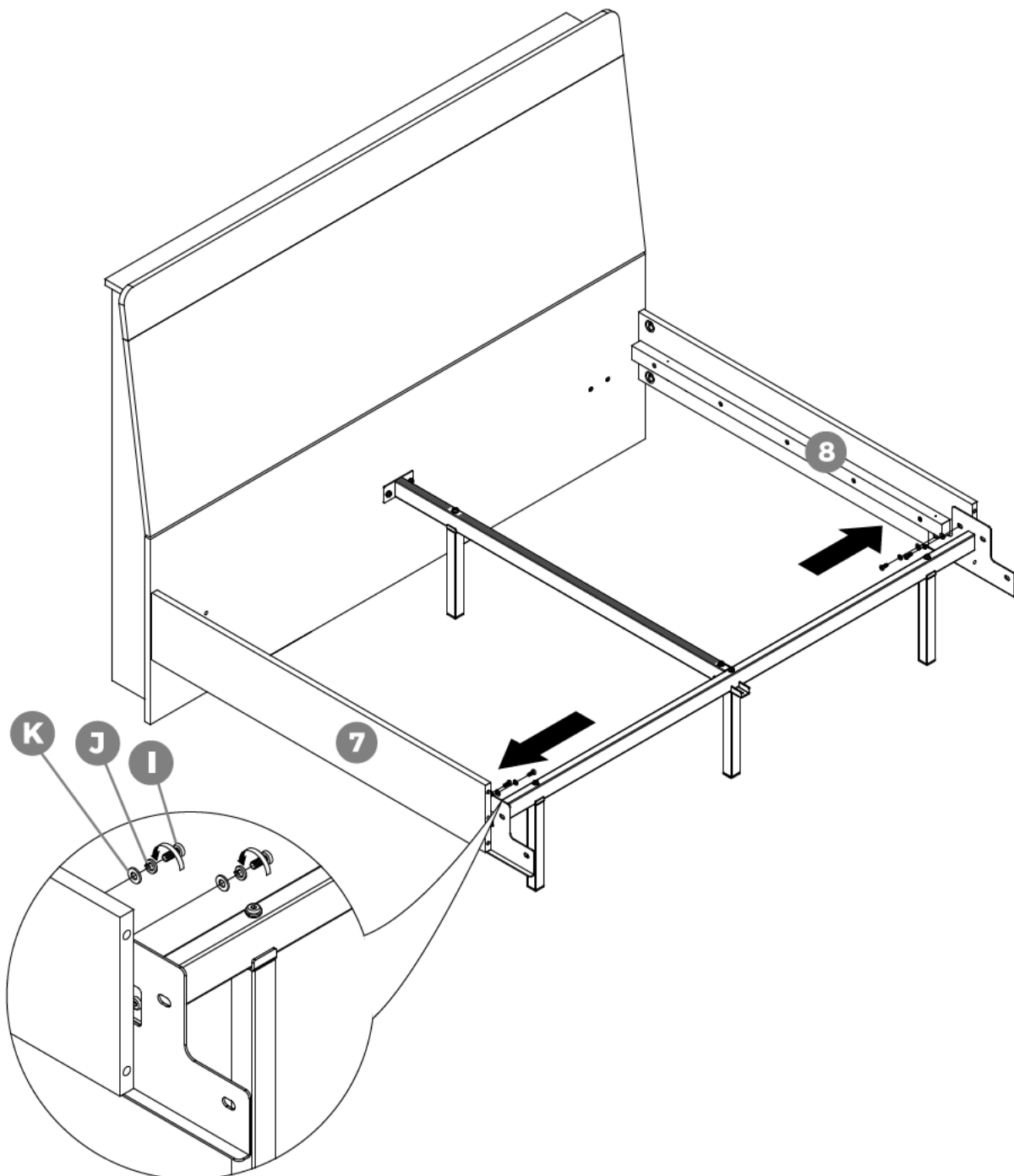
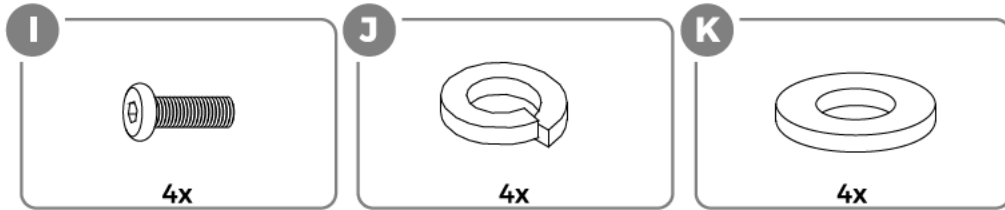
## Step 10



# Assembly Instructions

**CAUTION : Inappropriate installation of screws will cause damages to the product !**

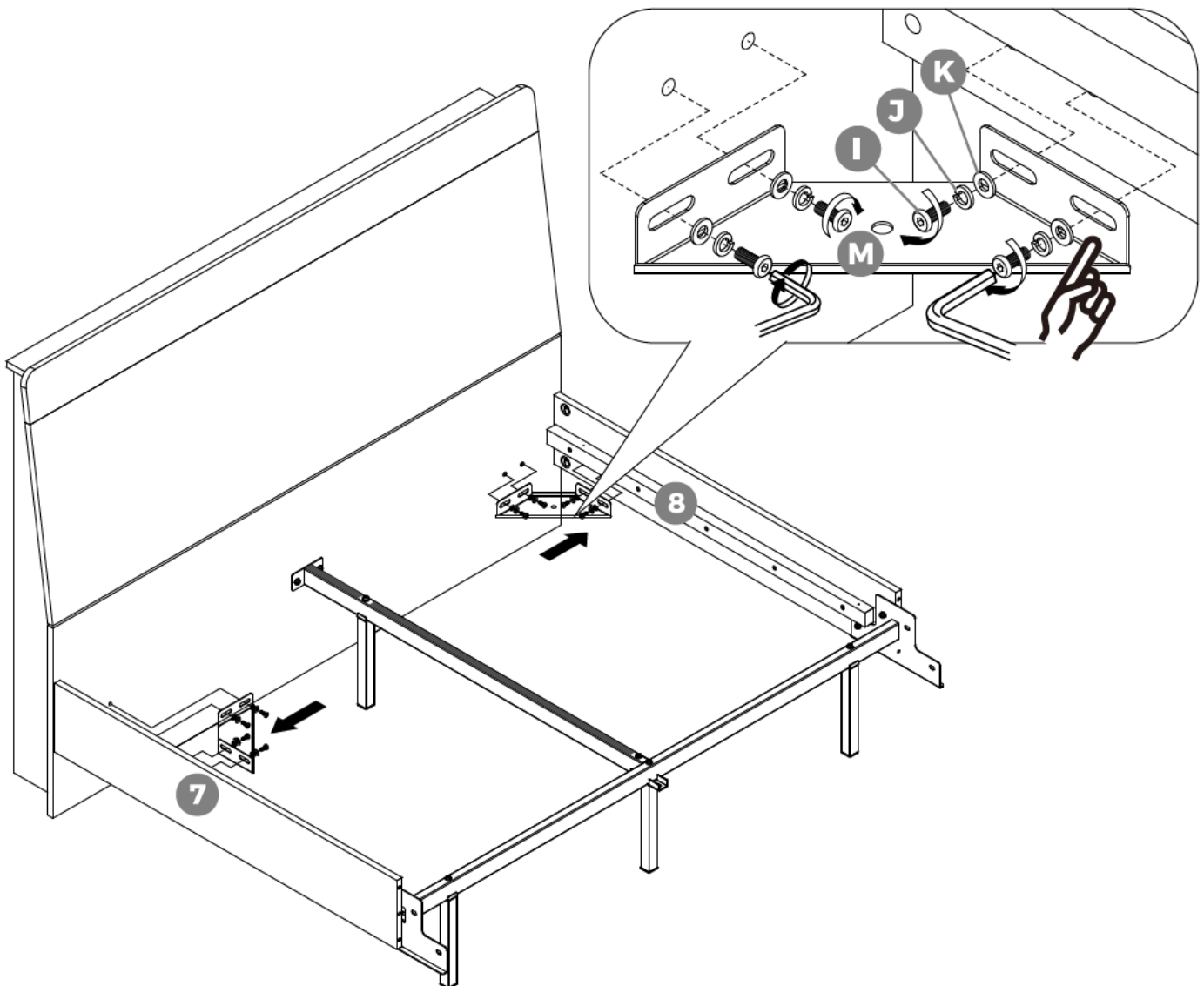
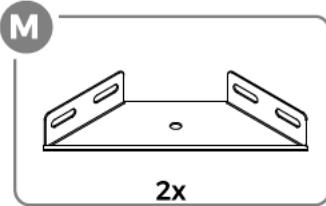
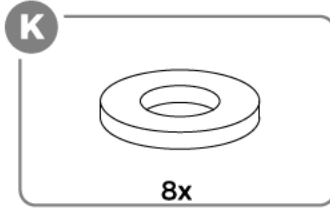
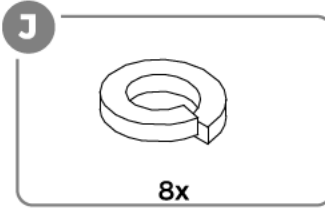
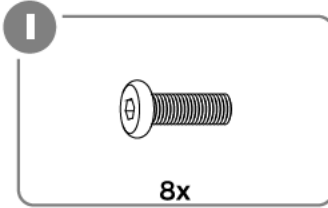
## Step 11



# Assembly Instructions

**CAUTION : Inappropriate installation of screws will cause damages to the product !**

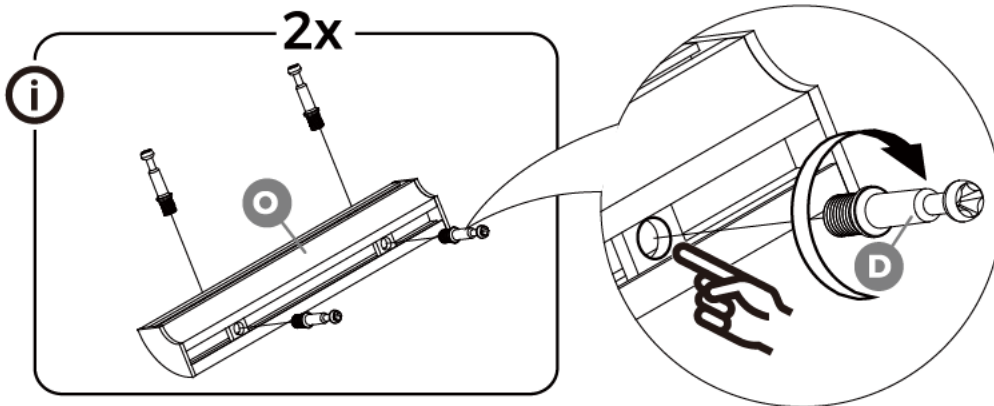
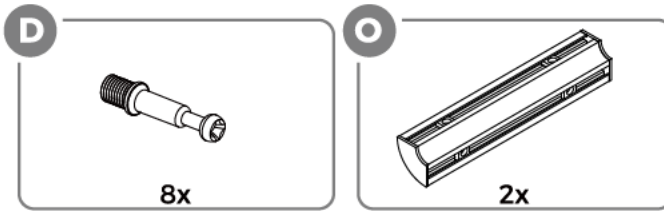
## Step 12



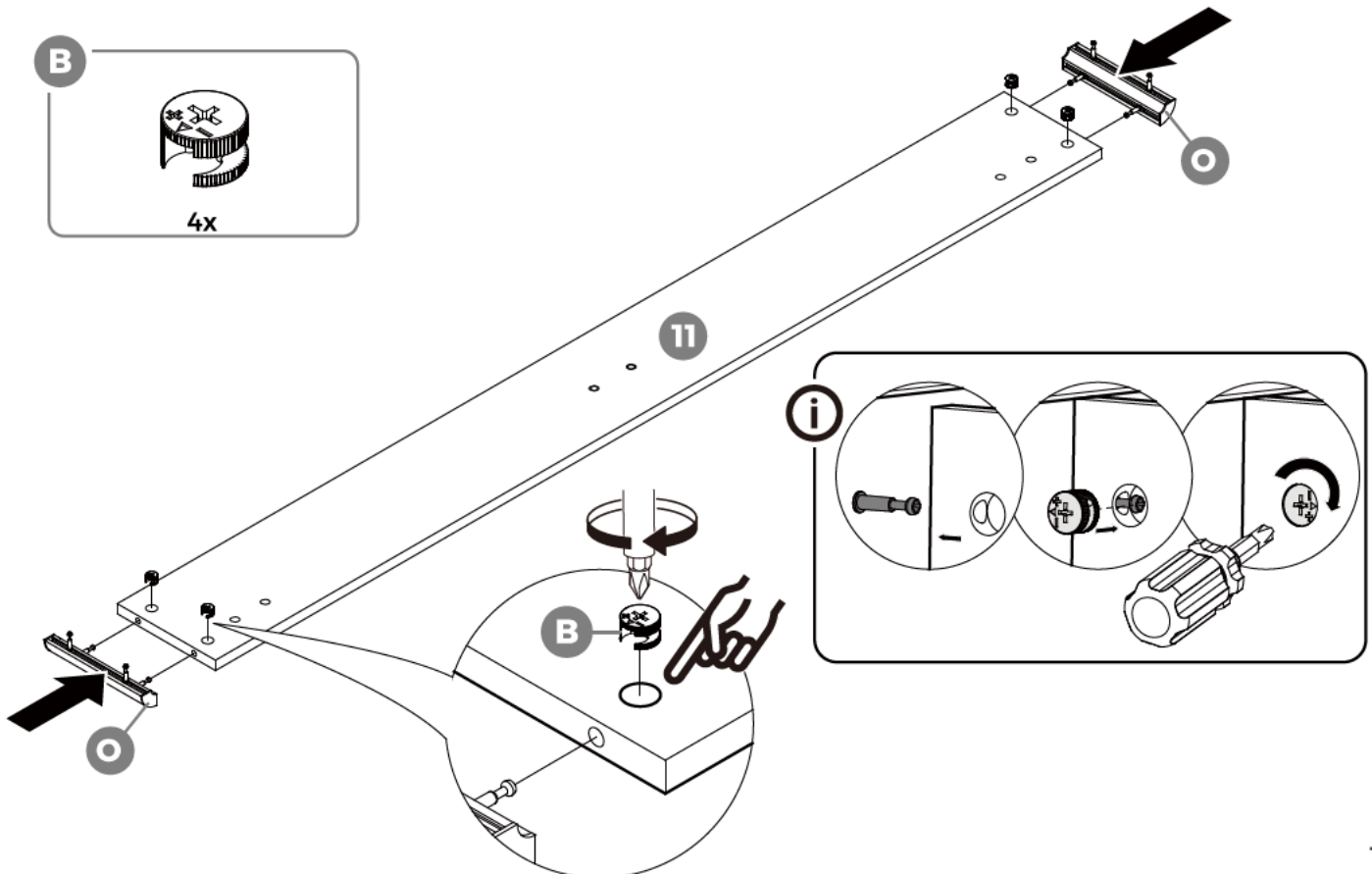
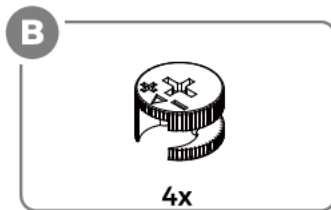
# Assembly Instructions

**CAUTION : Inappropriate installation of screws will cause damages to the product !**

## Step 13



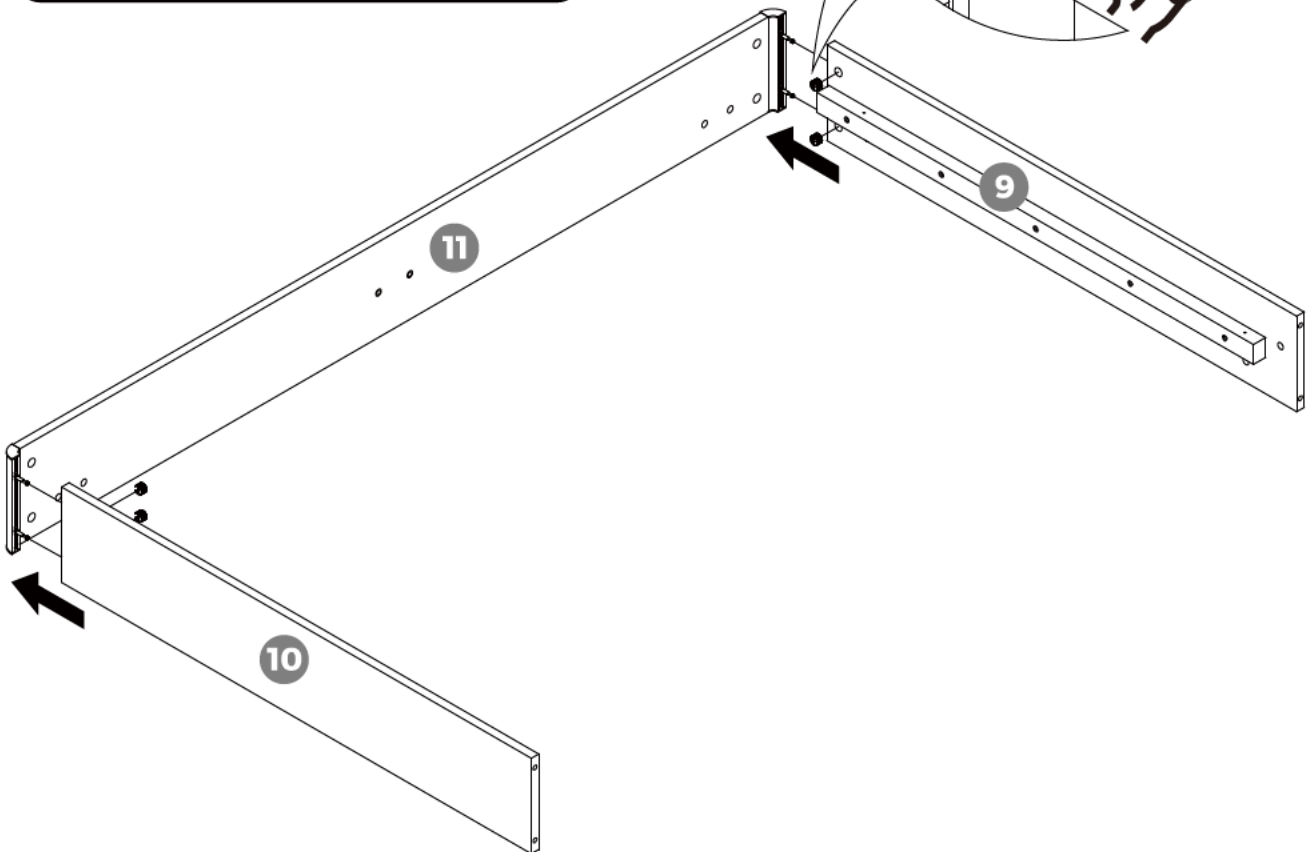
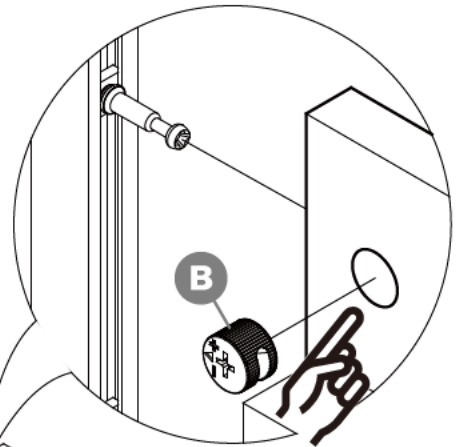
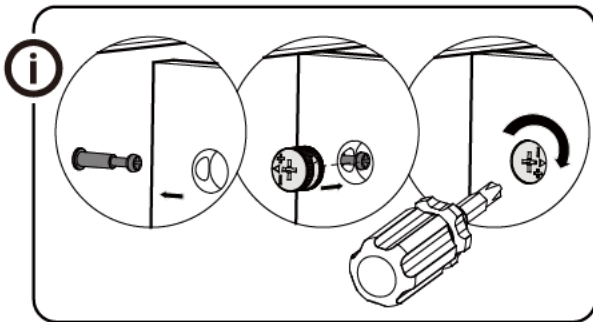
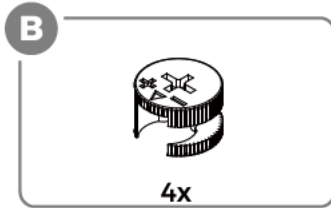
**i** First, insert the bolts into the (O) component and tighten them slightly to ensure they can slide. Then align the bolts with the hole position on component (11) and tighten the bolts again.



# Assembly Instructions

**CAUTION : Inappropriate installation of screws will cause damages to the product !**

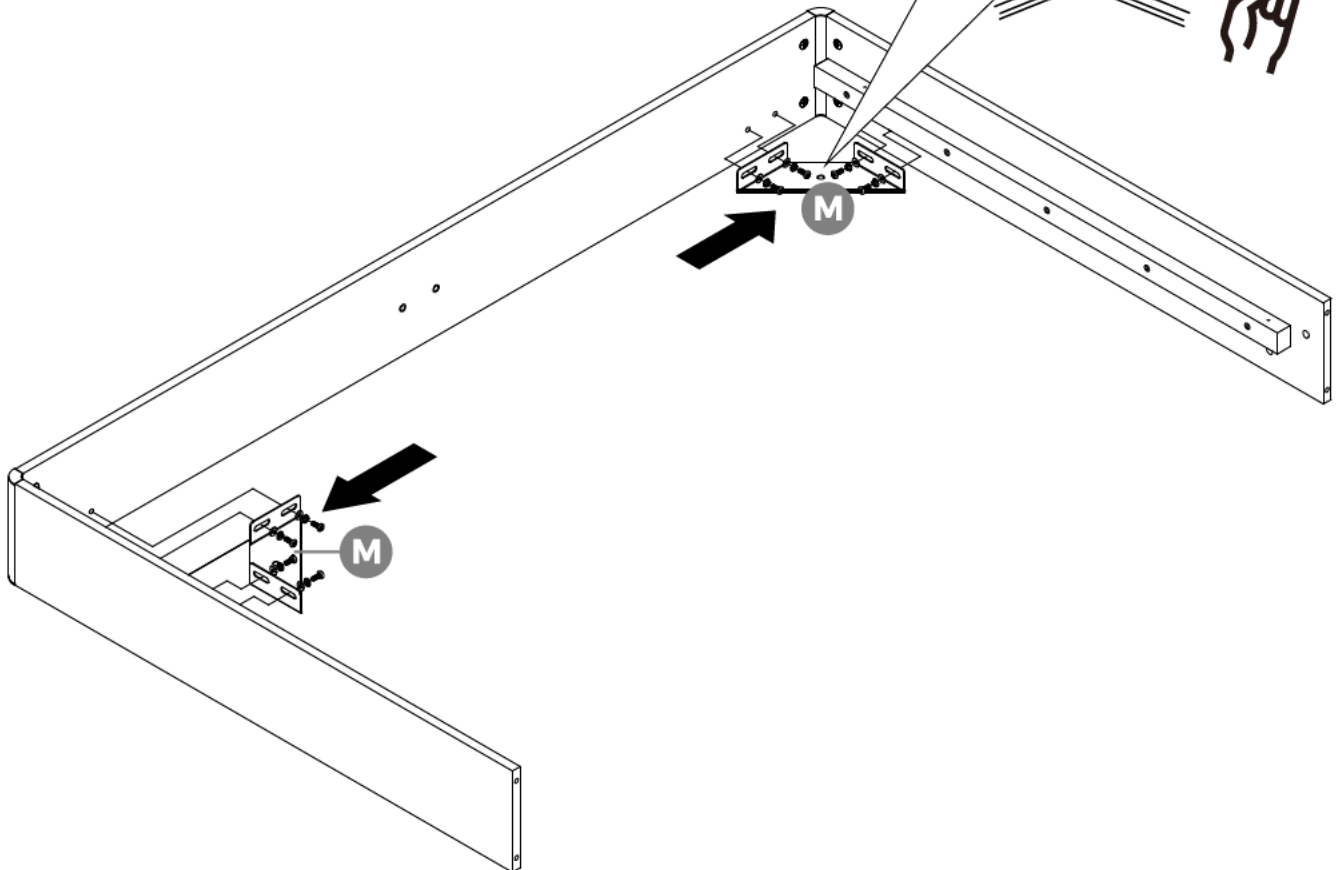
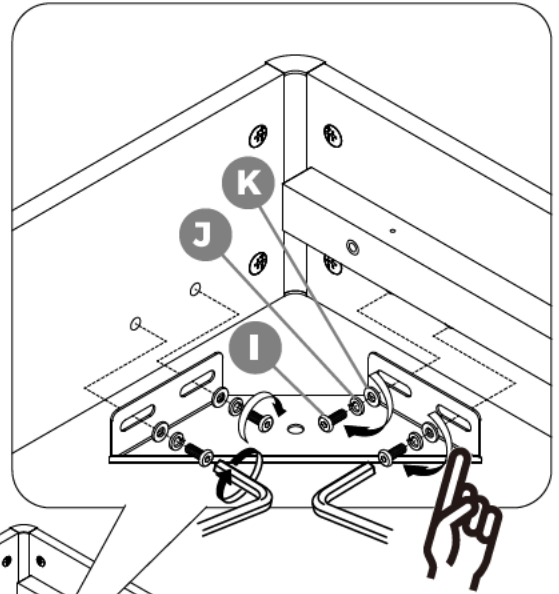
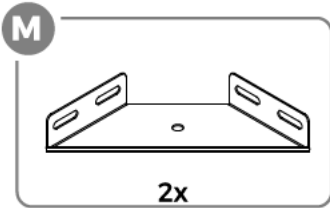
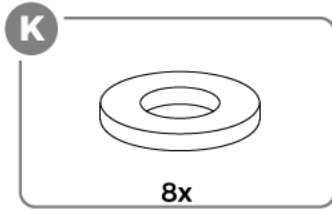
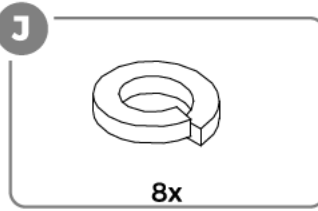
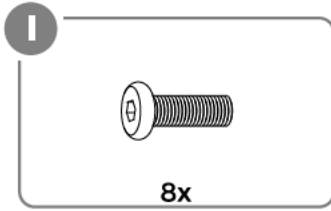
## Step 14



# Assembly Instructions

**CAUTION : Inappropriate installation of screws will cause damages to the product !**

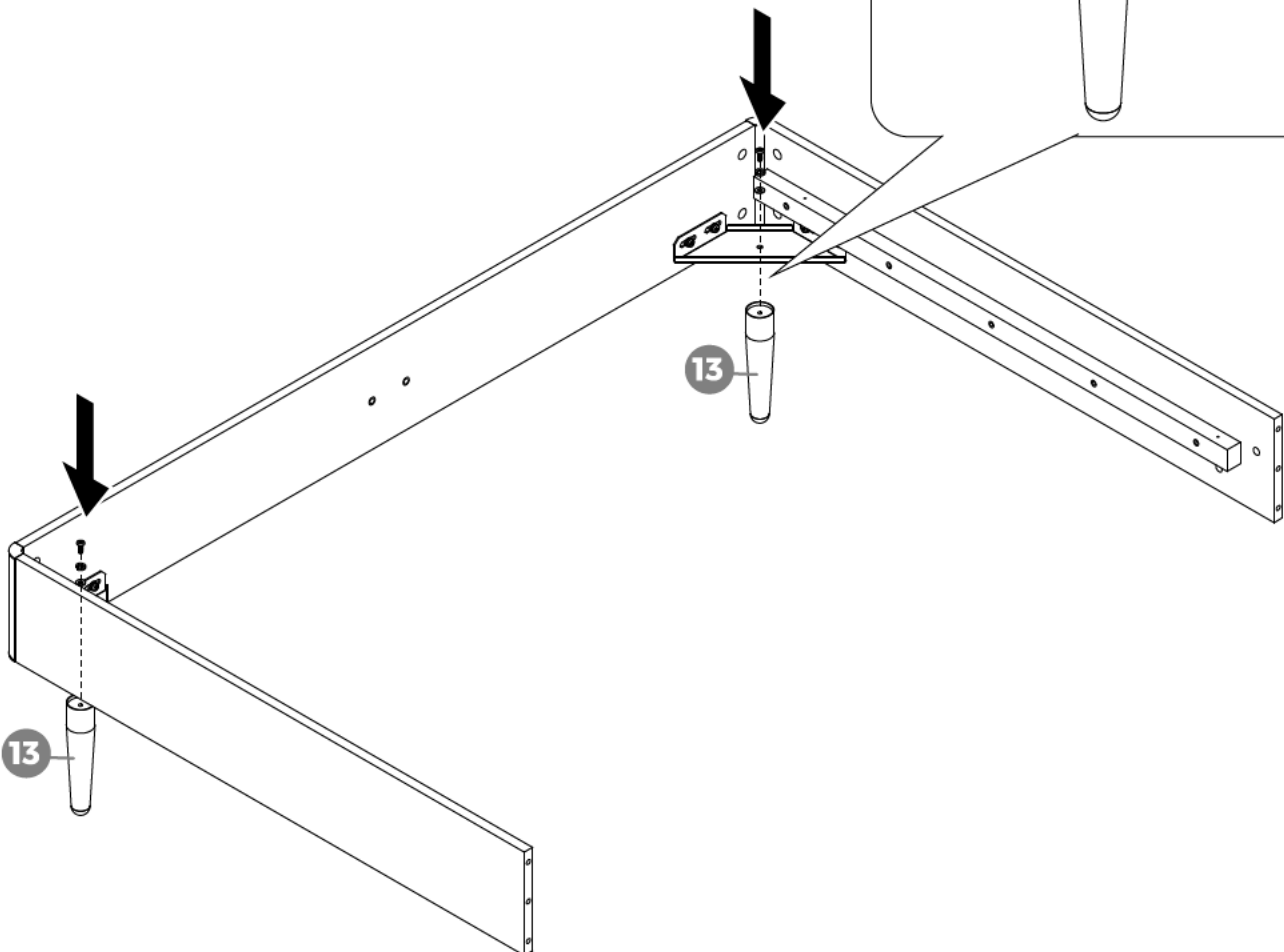
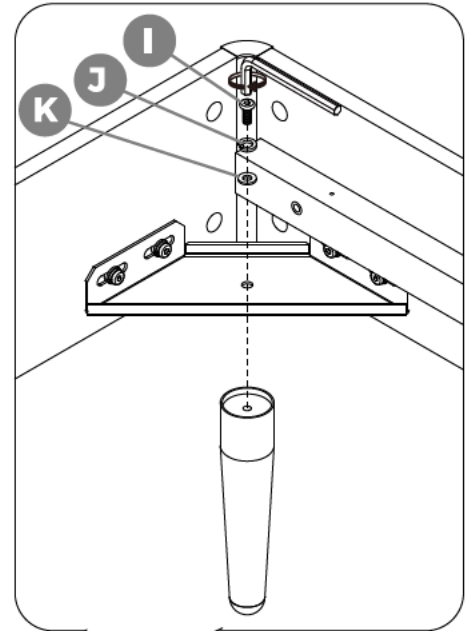
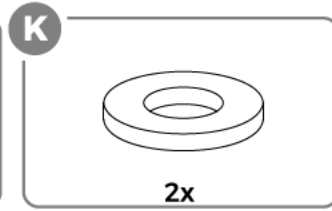
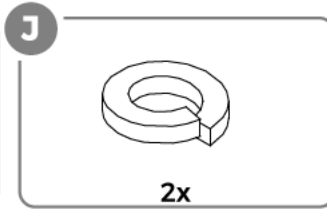
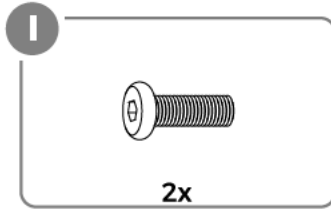
## Step 15



# Assembly Instructions

**CAUTION : Inappropriate installation of screws will cause damages to the product !**

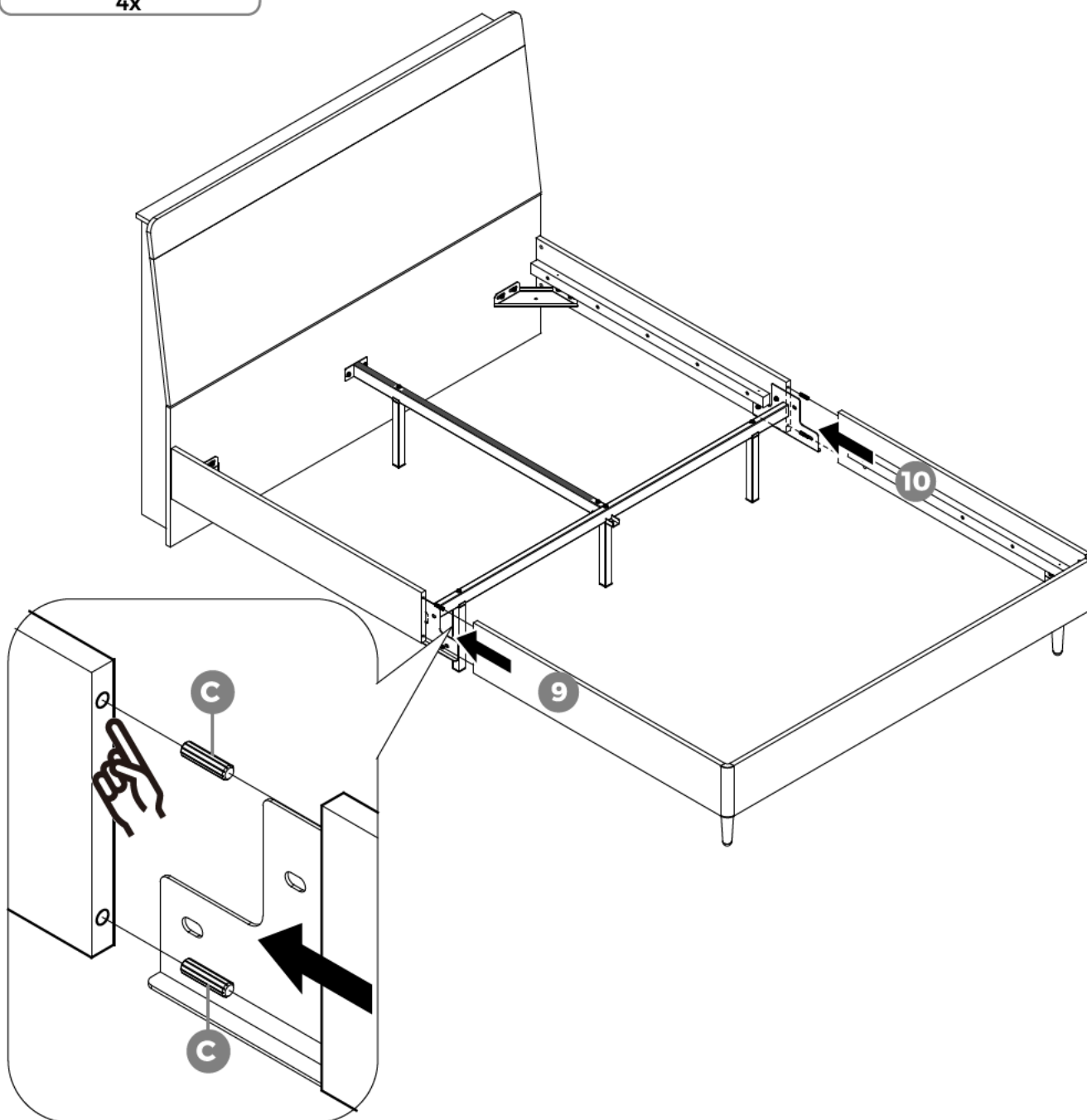
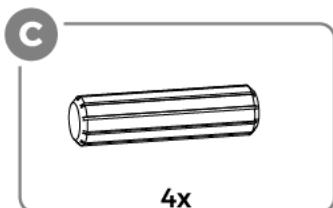
## Step 16



# Assembly Instructions

**CAUTION : Inappropriate installation of screws will cause damages to the product !**

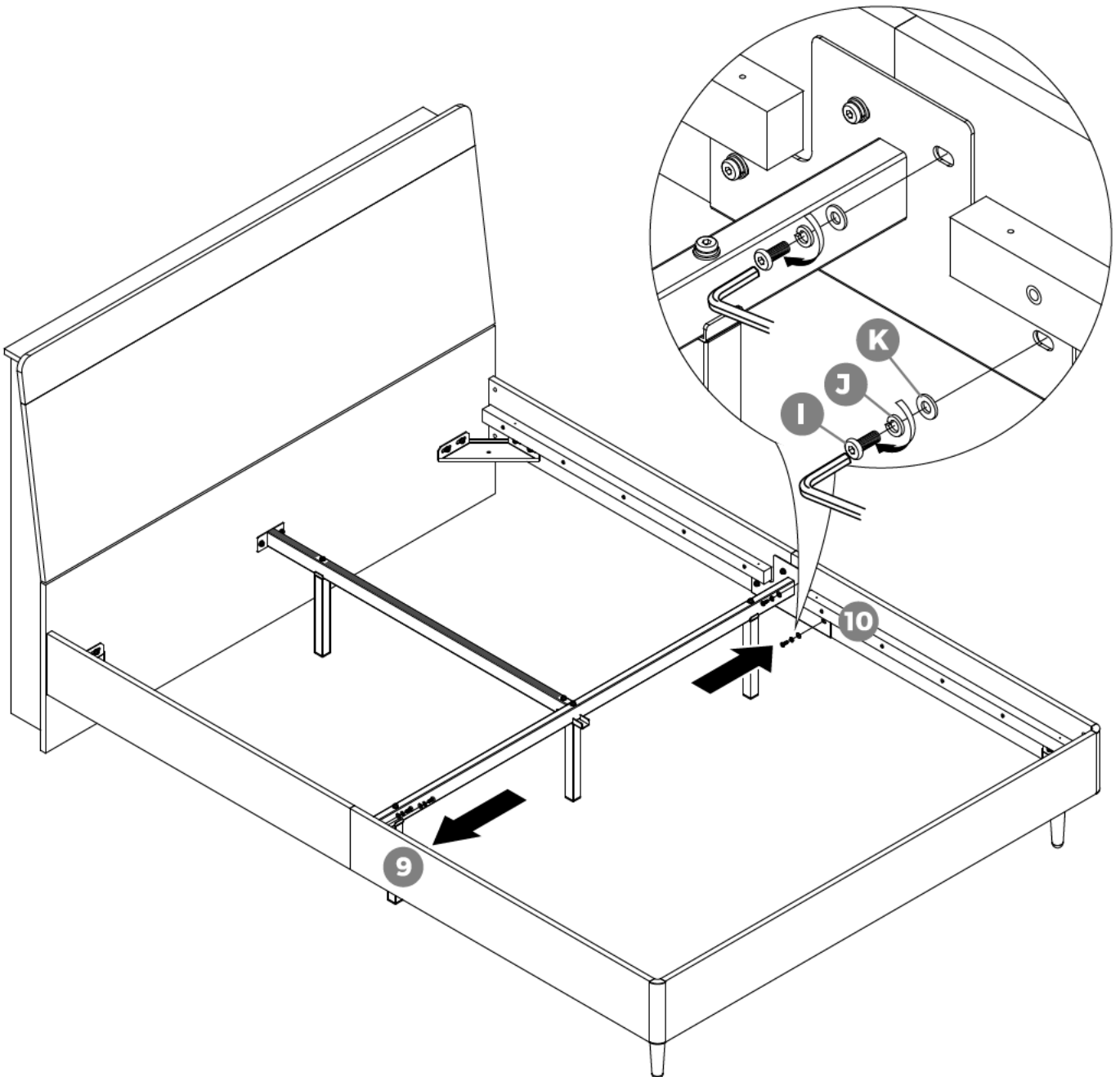
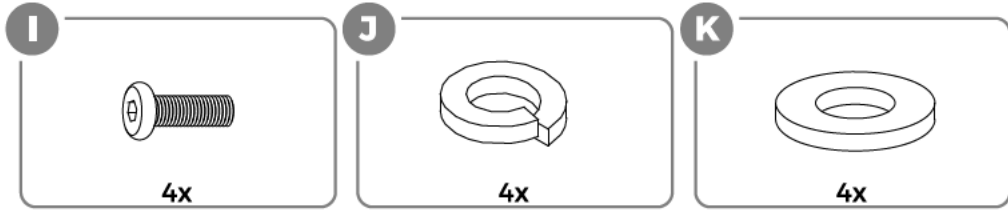
## Step 17



# Assembly Instructions

**CAUTION : Inappropriate installation of screws will cause damages to the product !**

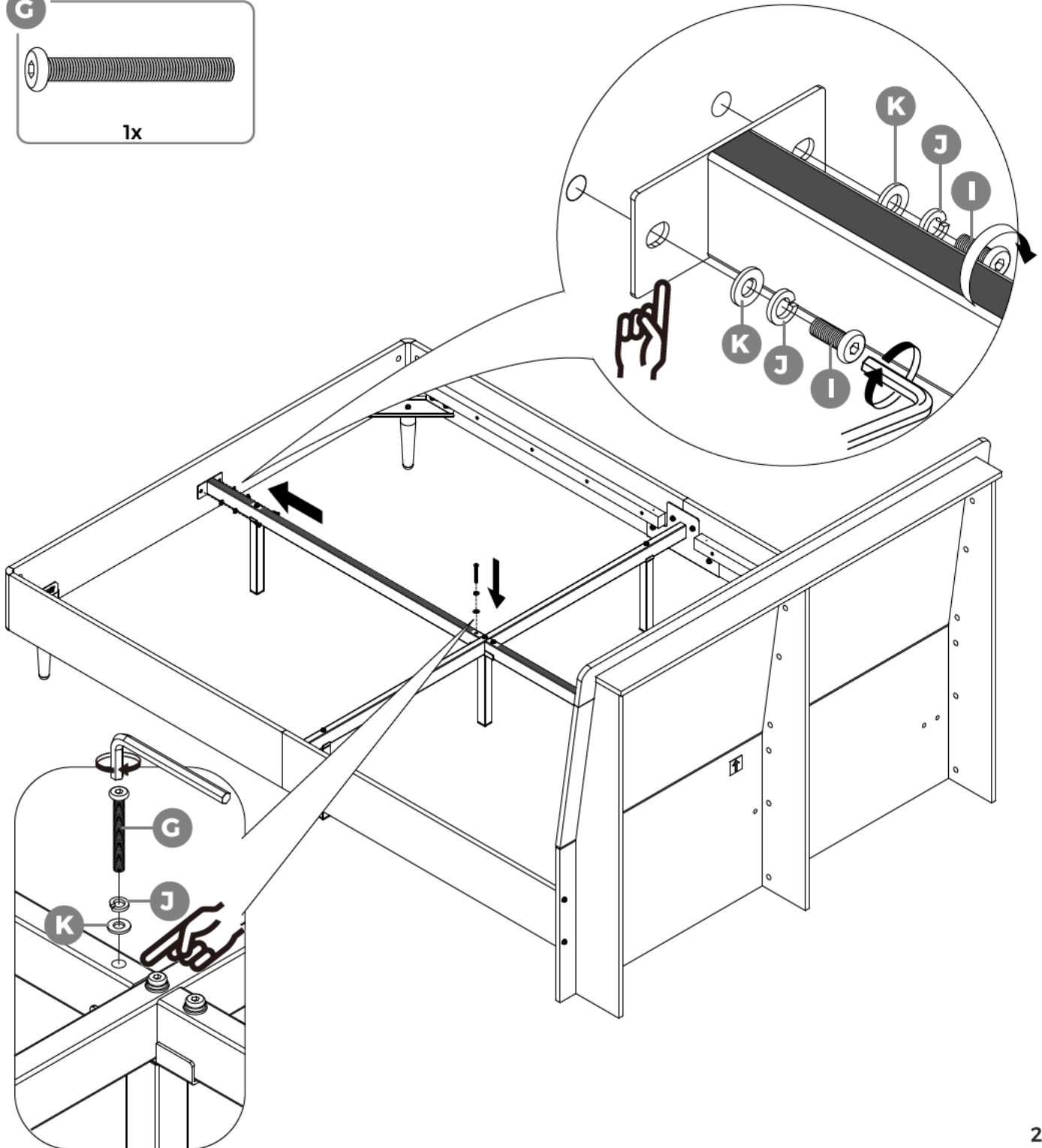
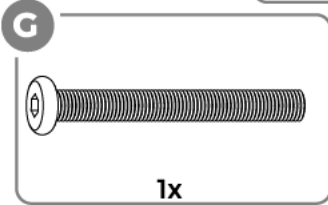
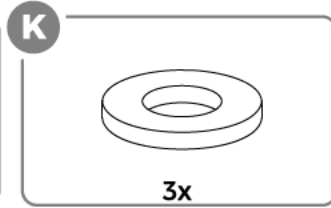
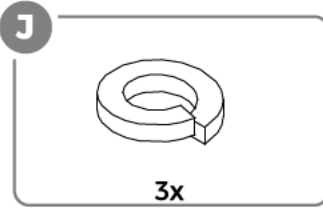
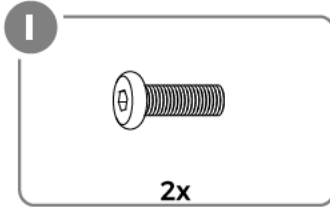
## Step 18



# Assembly Instructions

**CAUTION : Inappropriate installation of screws will cause damages to the product !**

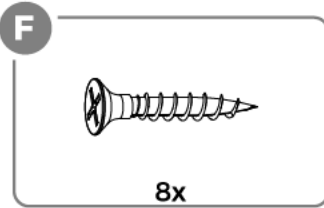
## Step 19



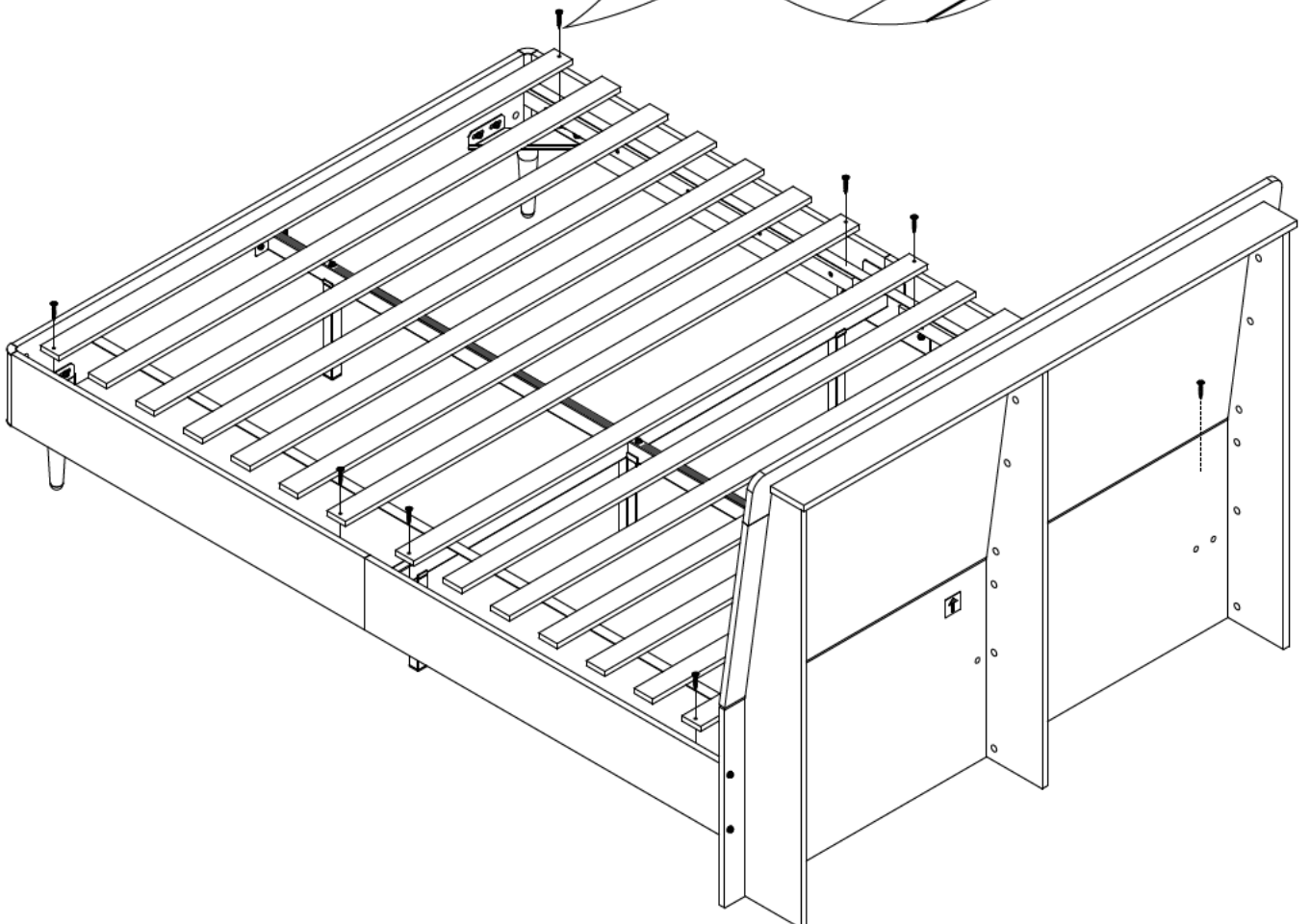
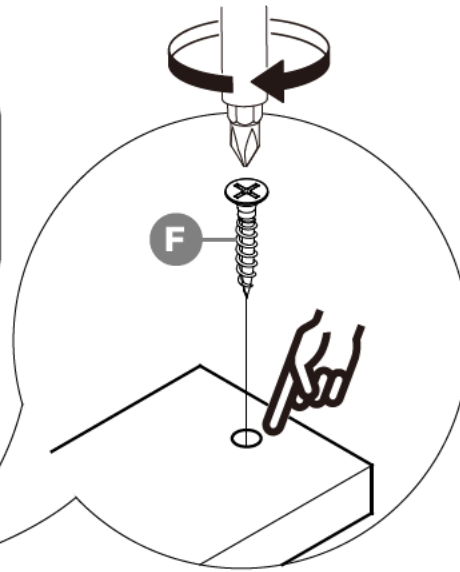
# Assembly Instructions

**CAUTION : Inappropriate installation of screws will cause damages to the product !**

## Step 20



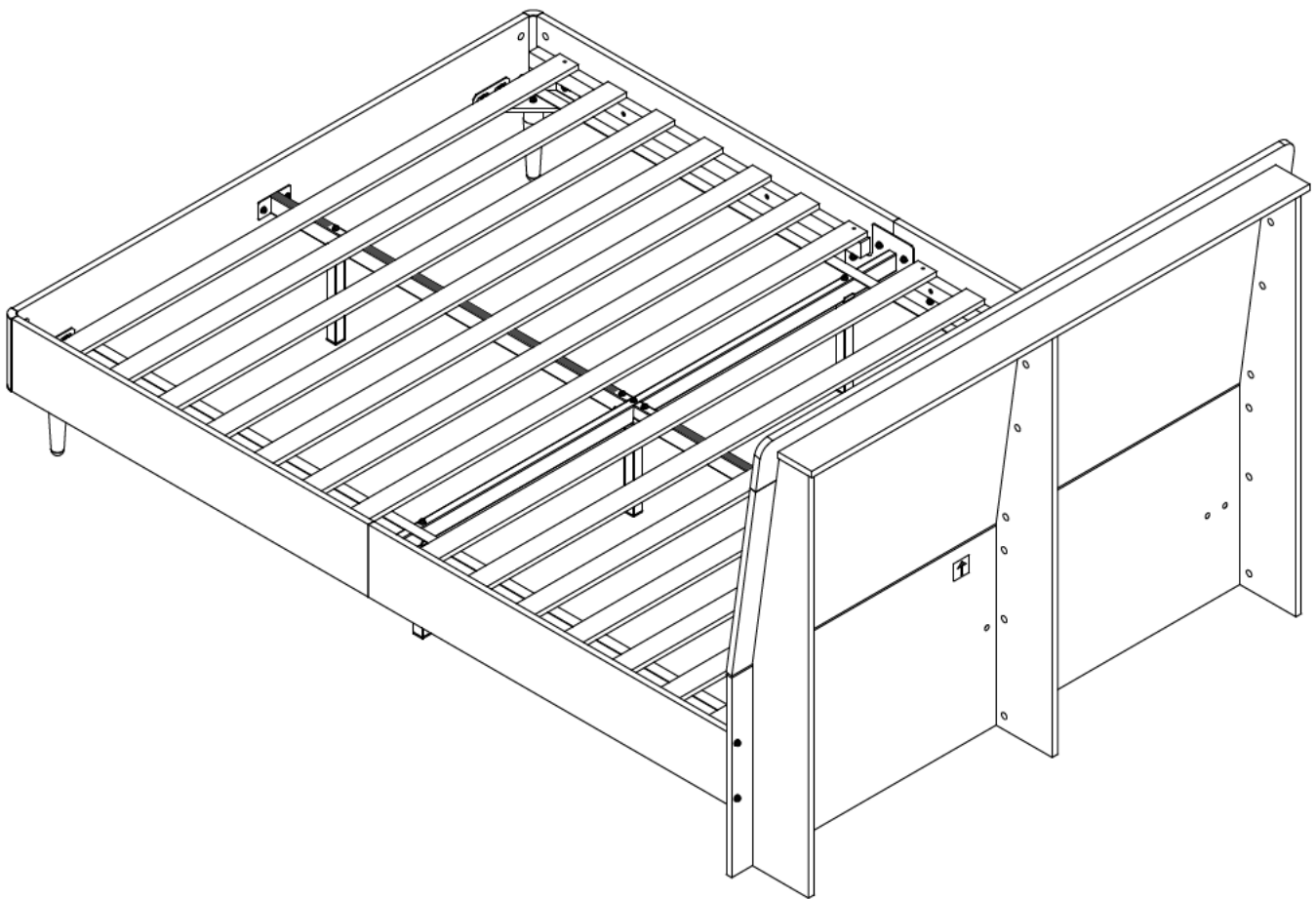
**i** Please lock the screws to pre-drilled holes in all four corners first, and then lock the screws in middle positions.



# Assembly Instructions

**CAUTION : Inappropriate installation of screws will cause damages to the product !**

## Step 21



**Congratulations on owning a stable bed frame!**  
**If you'd like to add more bedroom furniture, please feel free to follow us at any time.**