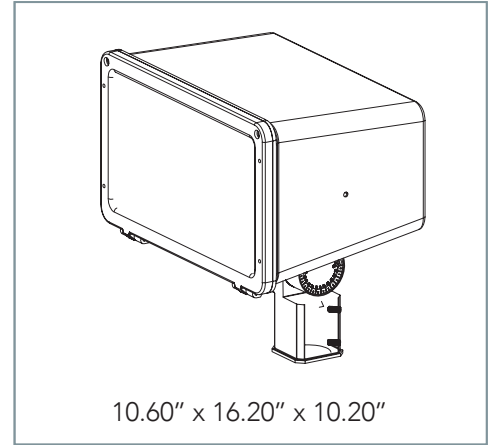
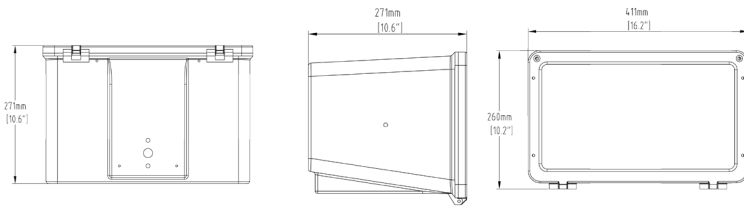


# MOUNTING INSTRUCTION FLOOD LIGHT

SUITABLE FOR WATTAGES: 100W



**IMPORTANT:** READ BEFORE REMOVING FIXTURE FROM CARTON. RETAIN FOR FUTURE REFERENCE.

This fixture must be wired and installed in accordance with the NATIONAL ELECTRICAL CODE and all state and applicable local codes and ordinances. These codes and ordinances supersede any and all instruction contained herein. Installation should be performed only by a licensed and bonded electrician and a person familiar with the construction and operation of the product and the hazards involved in the installation and operation of this product. Proper grounding is required for safety. Make certain power is OFF before installing or maintaining fixture. Failure to do so may increase the RISK OF PERSONAL INJURY, PROPERTY DAMAGE, FIRE, AND DEATH. The manufacturer takes no responsibility for the product not installed under those guidelines and those contained in this document. See wiring diagram on back

**CAUTION:** For proper weatherproof function all gaskets must be seated properly and all screws inserted and tightened firmly. Apply weatherproof silicone sealant (NOT included) around the edge of the Wall Box and/or Junction Box. This is especially important with an uneven wall surface. Silicone all plugs and unused conduit entries.

## MOUNTING INSTRUCTIONS:

### SLIP FITTER MOUNTING: FIG. 1 (SOLD SEPARATELY)

1. Remove slipfitter cover and connect leads (see wiring diagram)
2. Push wires into slipfitter and re-attach cover
3. Place slip-fitter over 2 3/8 tennon and tighten with (4) set-screws (provided)
4. To aim, loosen bolt on slip fitter and set at desire rotation, then tighten bolt securely.

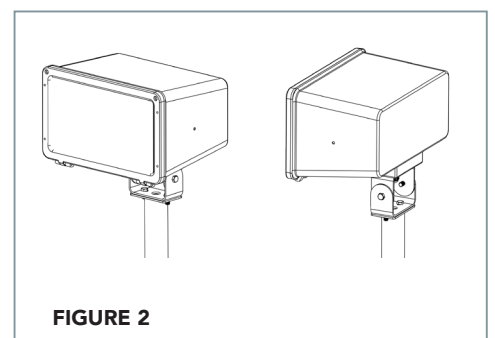
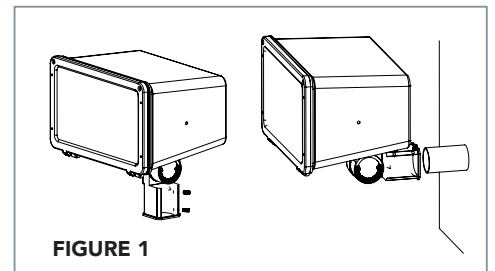
### U-BRACKET MOUNTING: FIG. 2 (SOLD SEPARATELY)

1. Mount the U-bracket to desired surface with (2) #5/16-18 screws (provided) and make wire connections as needed

### AIMING:

Remove small position-lock screw. Loosen adjustment bolt and adjust the fixture to the desired position. Tighten adjustment bolts securely (10ft/lbs). Reinsert small position lock screw.

NOTE: Remove drain hole plugs after installation. If fixture is aimed upward, remove the (2) drain holes in the back (of housing). If aimed downward, remove the (2) in the front (of housing).



**FIXTURE IS SUITABLE FOR WET LOCATION**

# MOUNTING INSTRUCTIONS

## FLOOD LIGHT

SUITABLE FOR WATTAGES: 100W

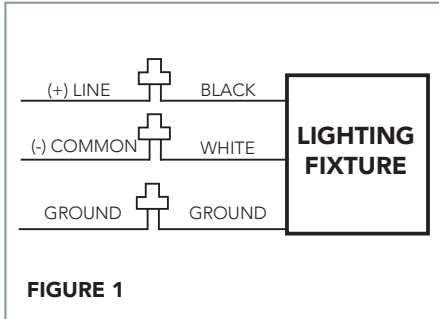


FIGURE 1

### ON-OFF WIRING METHOD:

Universal voltage driver permits operation at 120V through 277V, 50 or 60 Hz. Units ordered with (480V) suffix are 480V, 60Hz. For Non-Dimming, follow the wiring directions as in FIG. 1

1. Connect the GROUND wire from fixture to supply ground
2. Connect the white fixture lead to the (-) COMMON supply lead
3. Connect the black fixture lead to the (+) LINE supply lead

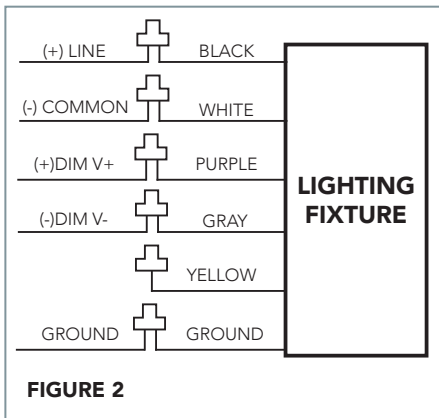


FIGURE 2

### 0-10V DIMMABLE WIRING METHOD:

Universal voltage driver permits operation at 120V through 277V, 50 or 60 Hz. For 0-10V Dimming, follow the wiring directions as in figure 2

1. Connect the GROUND wire from fixture to supply ground
2. Connect the white fixture lead to the (-) COMMON supply lead
3. Connect the black fixture lead to the (+) LINE supply lead
4. Connect the purple fixture lead to the (V+) DIM lead
5. Connect the gray fixture lead to the (V-) DIM lead
5. Cap the yellow fixture lead, if present. DO NOT connect

### TROUBLESHOOTING:

1. Check that the line voltage at fixture is correct
2. Is there voltage at the lamp fixture wires? If there is no voltage, check all connections
3. Ensure that the fixture is grounded properly