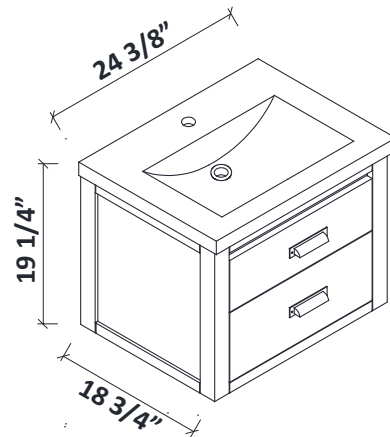
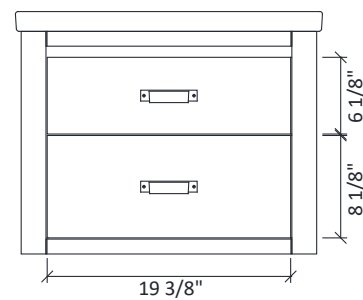
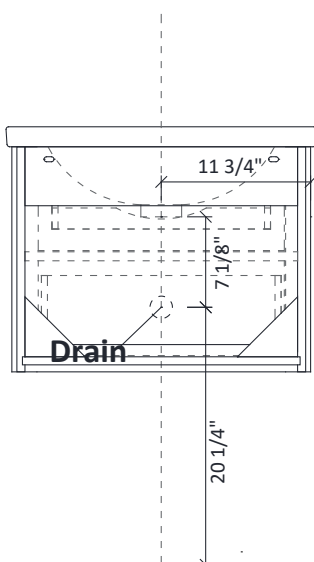
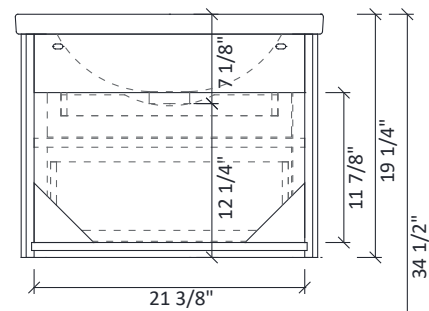
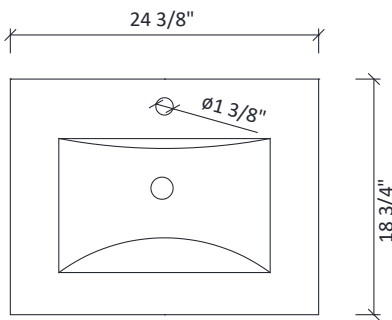


S2407-24 Floating Vanity Installation Instruction



DIMENSIONS



WARNING !

In the hole on the wall, please be sure to be careful to avoid the internal cables and pipelines.



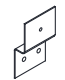


MATERIALS & TOOLS

Safety glasses, Pencil, Level, Tape measure, Stud Finder, Assorted screwdrivers, Assorted Wrenches, Drill, Screw gun, Caulking gun, Hammer, Screws, Nail anchors/Molly screws.

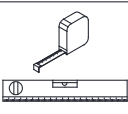



Vanity Installation

Step 1

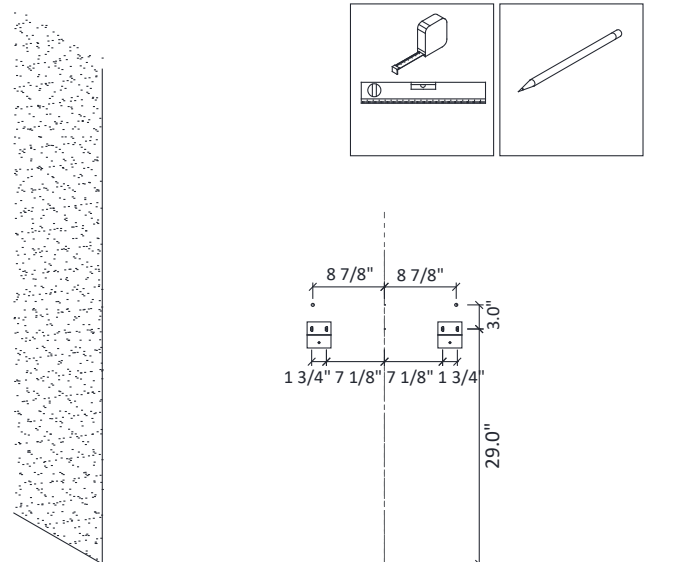
PARTS

 A x2	 B x6	 C x2	 D x2
 E x6			

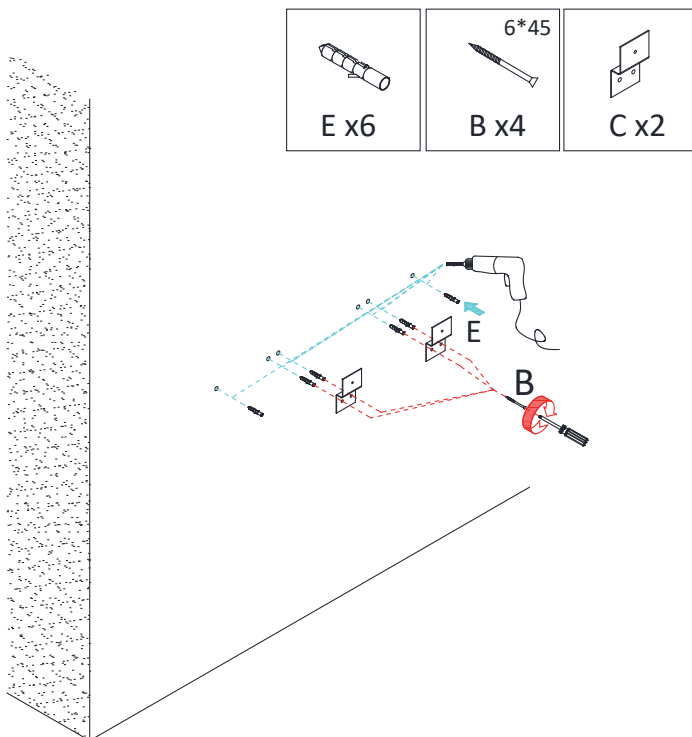
TOOLS REQUIRED

			
---	---	---	---

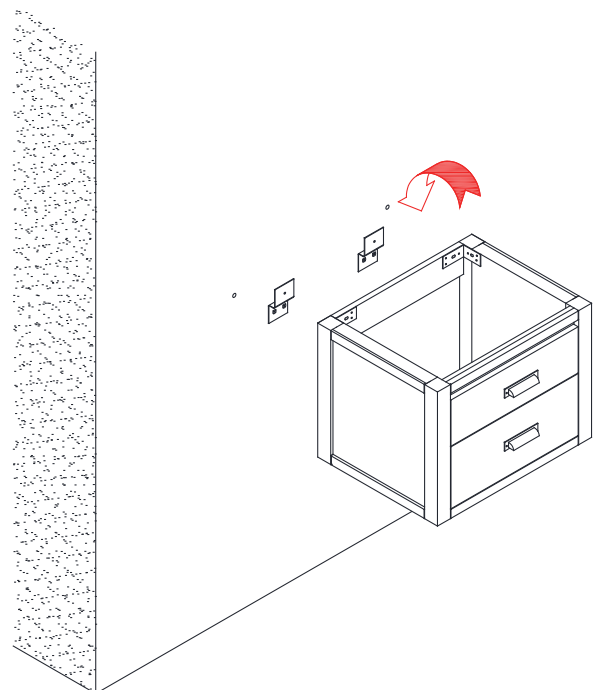
Step 2



Step 3

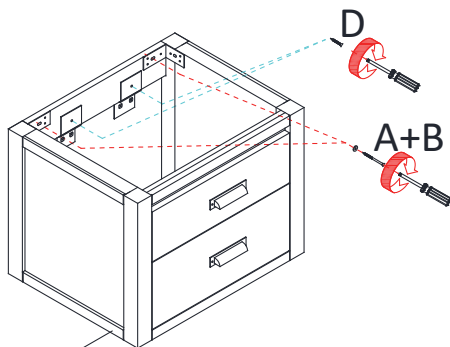
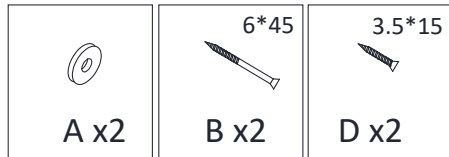


Step 4

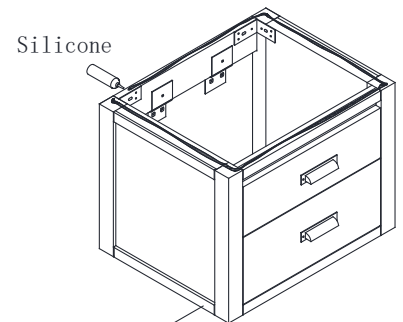


Vanity Installation

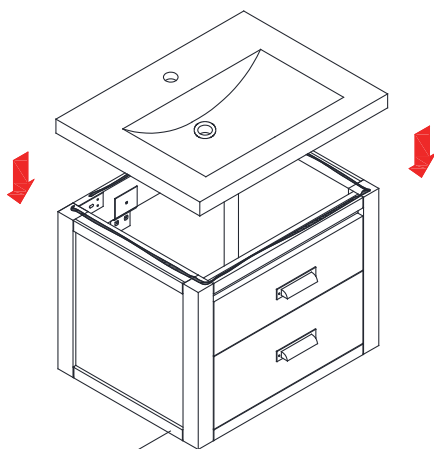
Step 5



Step 6



Step 5



Step 6

