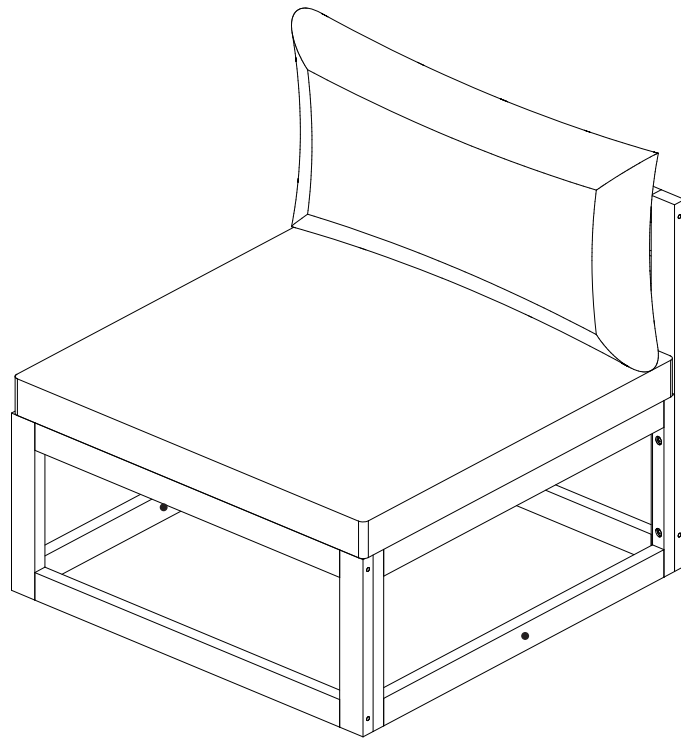


Instruction Manual

68cm Modular Middle Seat



CONTENTS

Safety and care advice	1
Components	2
Assembly instructions	4
Copyright	8

⚠ SAFETY AND CARE ADVICE ⚠

PLEASE READ THESE INSTRUCTIONS CAREFULLY AND KEEP FOR FUTURE REFERENCE

- **Warning:** Please lift with care.
- Check you have all the components and tools listed on pages 2 and 3.
- Remove all fittings from the plastic bags and separate them into their groups.
- Keep children and animals away from the work area, small parts could choke if swallowed.
- Make sure you have enough space to lay out the parts before starting.
- Do not stand or put weight on the product, this could cause damage.
- Assemble the item as close to its final position (in the same room) as possible.
- Assemble on a soft level surface to avoid damaging the unit or your floor (use opened out unit carton).



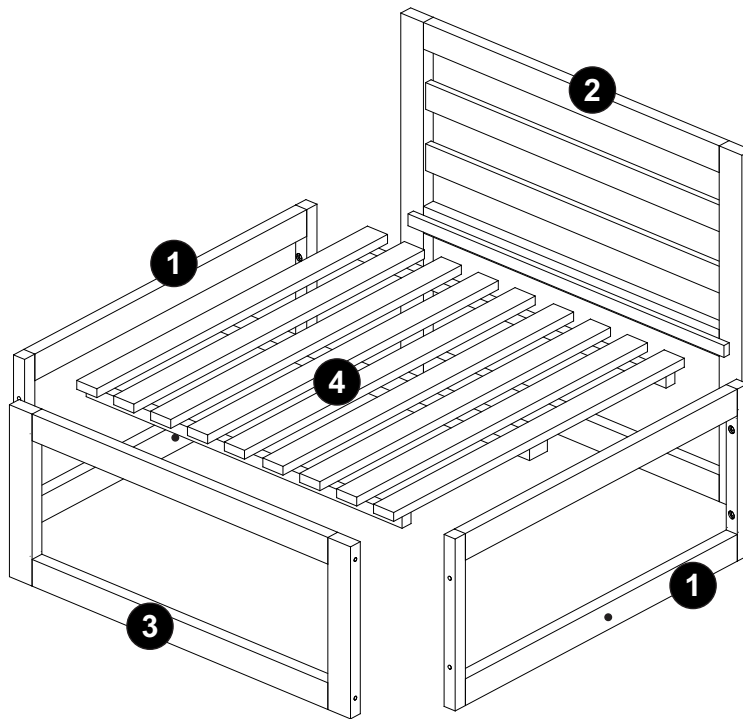
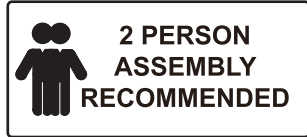
- We do not recommend the use of power drill/drivers **for inserting screws**, as this could damage the unit. Only use hand screwdrivers.
- Dispose of all packaging carefully and responsibly.

CARE AND MAINTENANCE

- Only clean using a damp cloth and mild detergent, do not use bleach or abrasive cleaners.
 - From time to time check that there are no loose screws on this unit.
 - This product should not be discarded with household waste. Take to your local authority waste disposal center.
- Note** *If required the next page can be cut out and used as reference throughout the assembly. Keep this page with these instructions for future reference.*

COMPONENTS

Please check you have all the panels listed below:

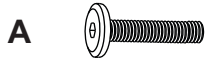


1. Right and left leg	x 2	4. Seat frame	x 1
2. Backrest	x 1		
3. Front leg	x 1		



COMPONENTS

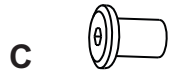
Please check you have all the fittings listed below:



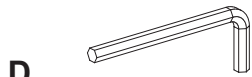
Bolt (Φ6x40mm) x 8



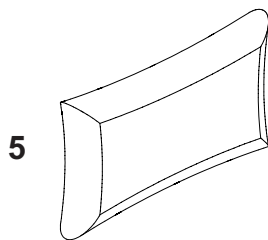
Bolt (Φ6x35mm) x 1



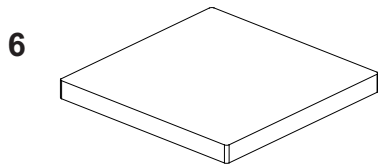
Nut (Φ6x13mm) x 1



Allen key x 2



x 1





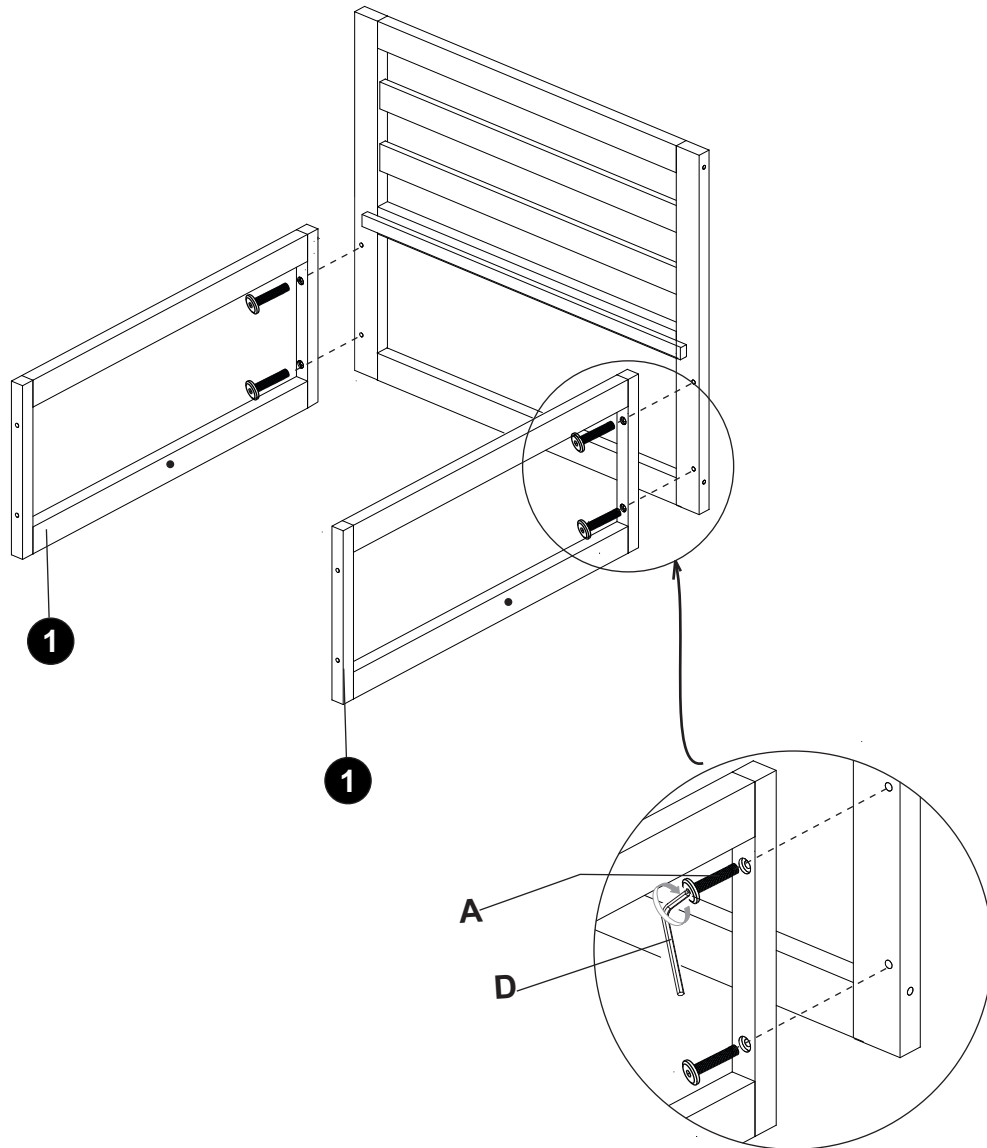
x 1



ASSEMBLY INSTRUCTIONS



Step 1

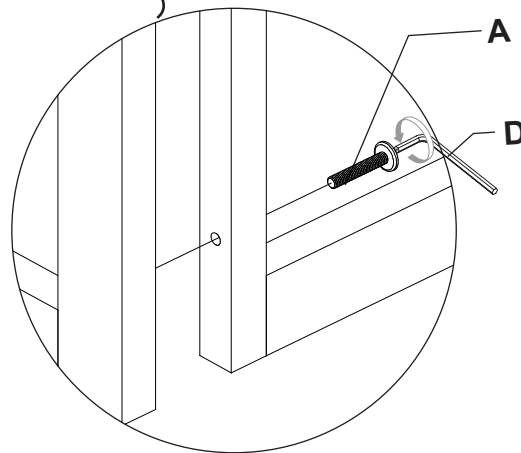
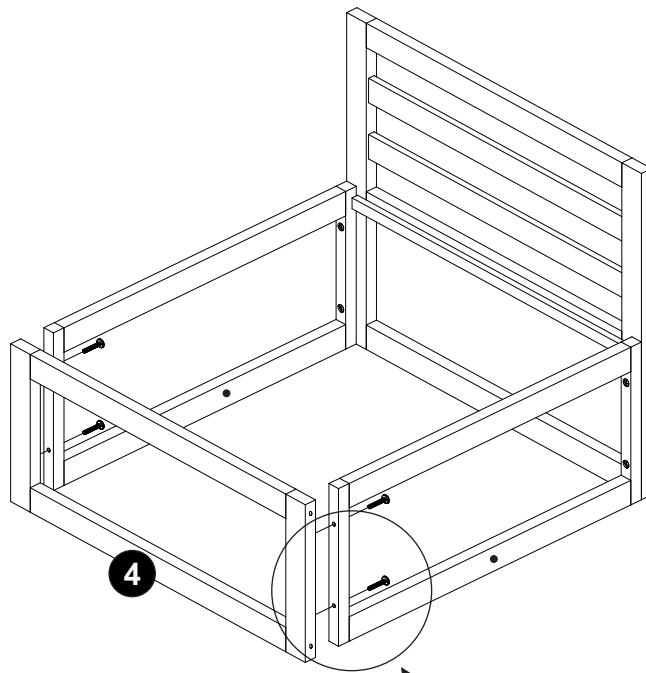
A		4	
D		1	



ASSEMBLY INSTRUCTIONS

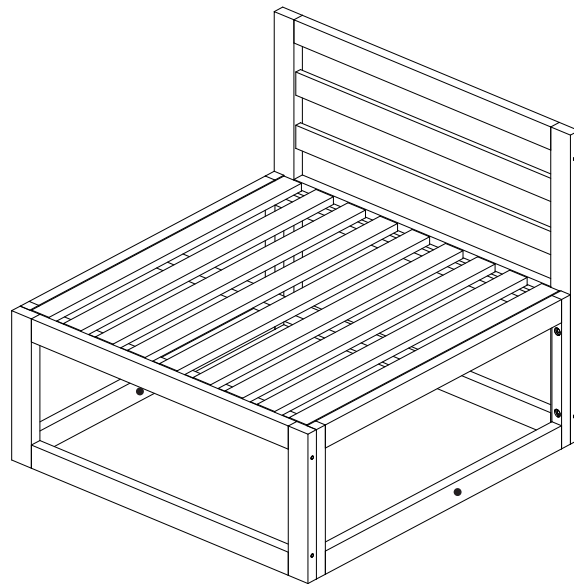
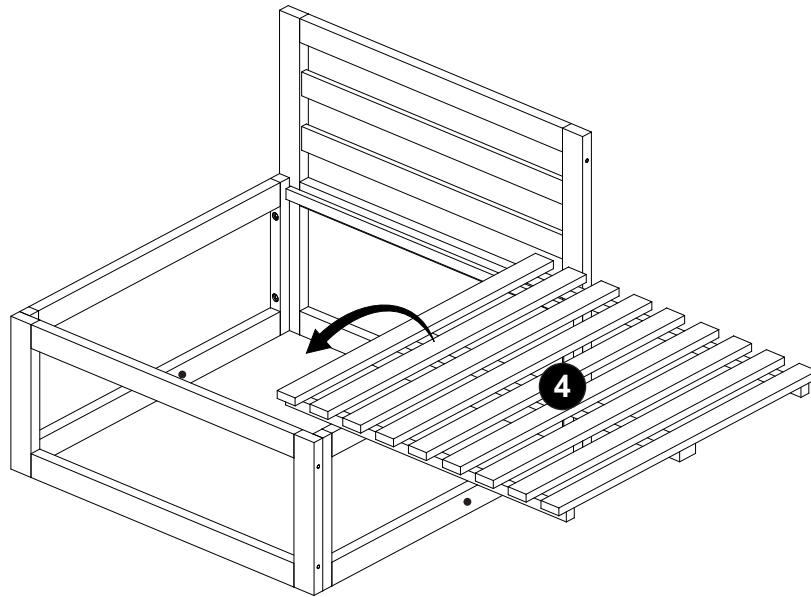
Step 2

A		4	
D		1	



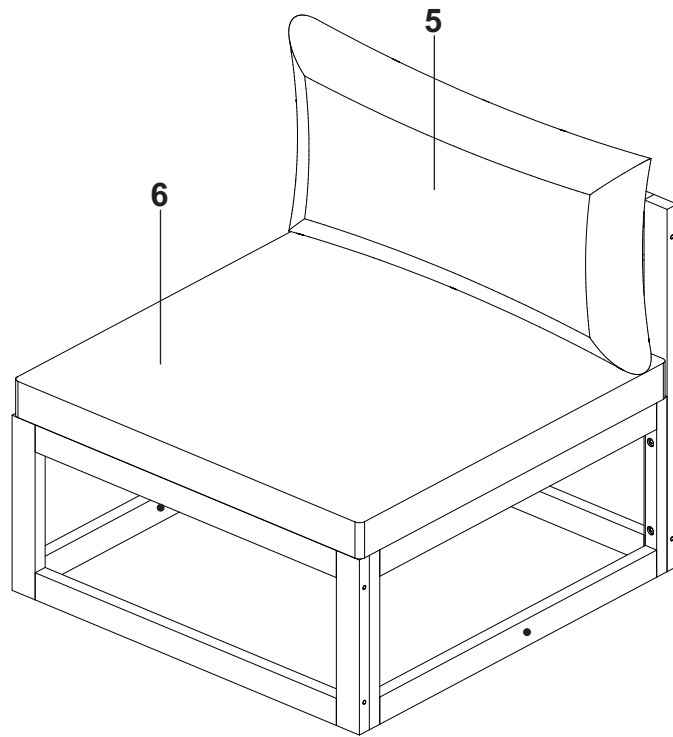
ASSEMBLY INSTRUCTIONS

Step 3



ASSEMBLY INSTRUCTIONS

Step 4



Congratulations! Now you have finished assembling the product.

ASSEMBLY INSTRUCTIONS

Step 5

