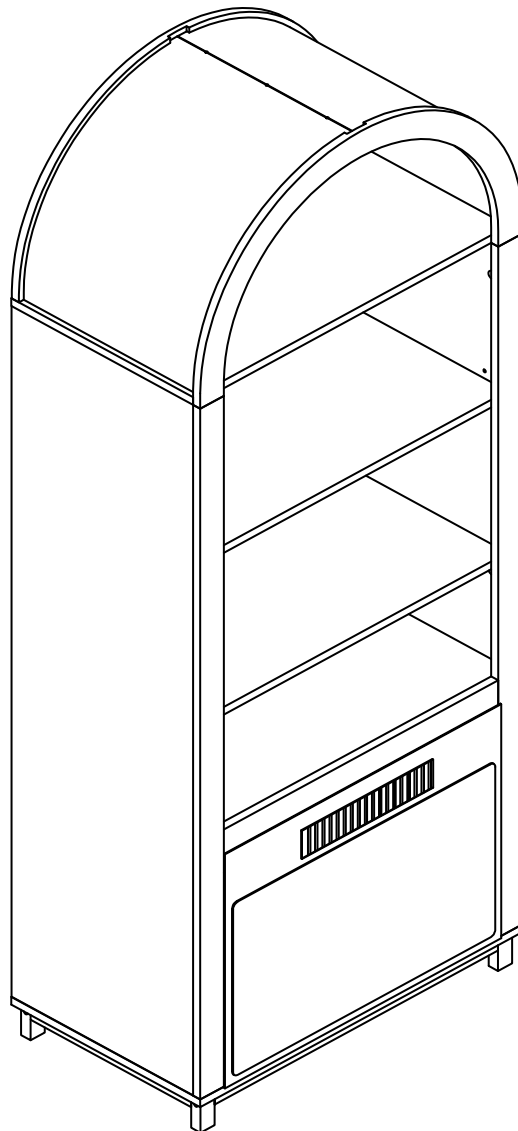




INSTRUCTION MANUAL

Arched Cabinet with Fireplace

HKAC002



NOTE: This product is divided into 2 packages and may arrived on different days. Please make sure that all packages are delivered before unpacking and assembling the product, if you have any questions, contact us ASAP.

WELCOME TO THE FUTURE OF HOME ENTERTAINMENT!

Thank you for choosing our new Arched Cabinet with Fireplace ! Our products are designed to be both stylish and functional, with a focus on energy efficiency and sustainability.

We use high-quality materials to ensure that our pieces are built last, so you can enjoy them for years. Whether you're looking for a cozy electric fireplace or a stylish furniture, we have something for everyone.

Our products are perfect for any home or office, and we're confident that you'll love them as much as we do!



Wolfthontech1@gmail.com

NOTICE

- 1.Children are not allowed to operate
2. Faster installation is possible with power tools.
3. Do not pull the door vigorously to prevent the storage cabinet from tipping over.
- 4.Please attach the storage cabinet to the wall with an anti-tip device after installation is complete.
5. When using the storage cabinet for the first time,please keep it in a ventilated environment to allow the smell to fully evaporate.
- 6.When placing the partitions,please make sure the nails are firmly installed to prevent the partitions from falling off.
7. If any parts are missing,broken,damaged or worn,discontinue use of the product until repairs are made and/or factory replacement parts are installed
8. Do not use this product in a manner inconsistent with the manufacturer's instructions as this may void the product warranty
- 9.If accessories are missing, please contact customer service for communication in time, we provide 7x24 hours after-sales service
- 10.Do not use any attachments or accessories other than the original factory attachments and accessories
- 11.Do not alter this equipment. Any alteration will create a safety hazard.

BEFORE YOU START

- ⚠ Please read all instructions carefully.
- ⚠ Retain instructions for future reference.
- ⚠ Separate and count all parts and hardware.
- ⚠ Read through each step carefully and follow the proper order.
- ⚠ We recommend that, where possible, all items are assembled near to the area in which they will be placed in use, to avoid moving the product unnecessarily once assembled.
- ⚠ Always place the product on a flat, steady and stable surface.
- ⚠ Keep all small parts and packaging materials for this product away from babies and children as they potentially pose a serious choking hazard.

PRE-INSTALLATION

GRAB YOUR TOOLS



Phillips Screwdriver



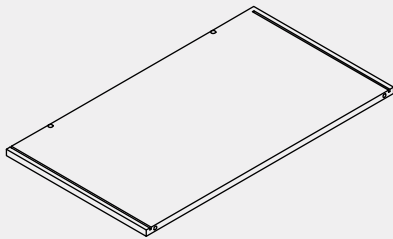
2 Persons Assembly



Up to 60 Minutes For Assembly

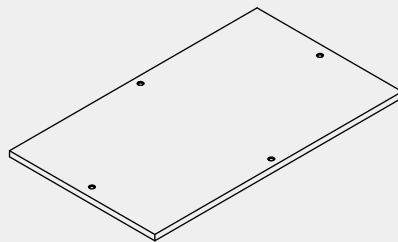
WHAT'S IN THE BOX

1



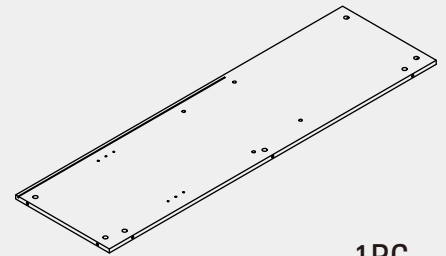
1PC

2



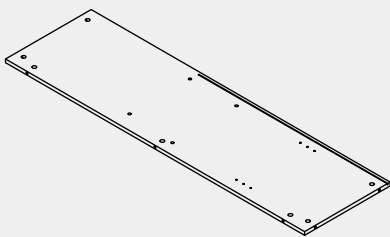
1PC

3



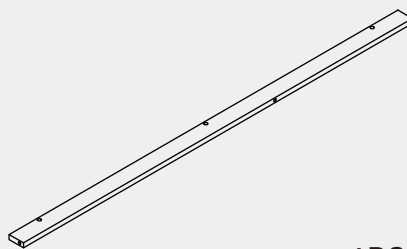
1PC

4



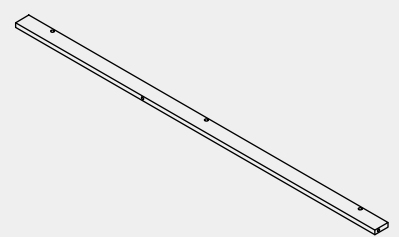
1PC

5



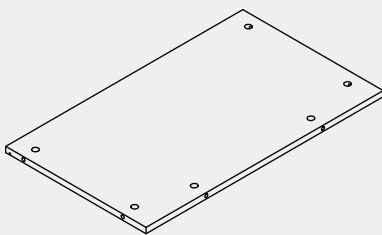
1PC

6



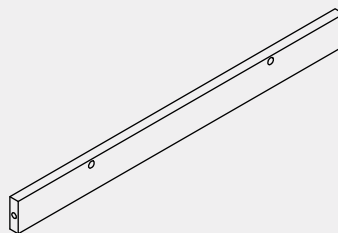
1PC

7



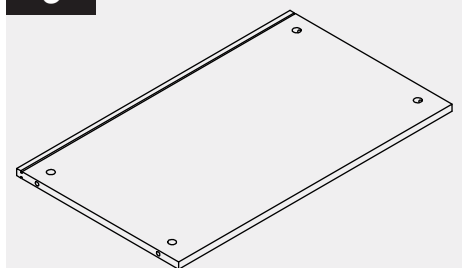
1PC

8

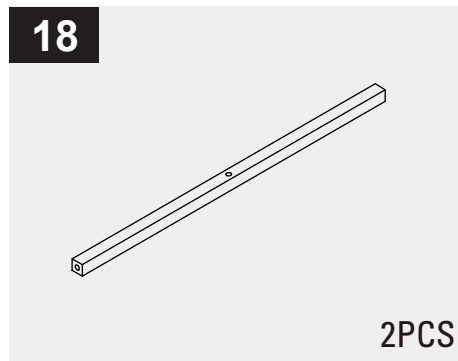
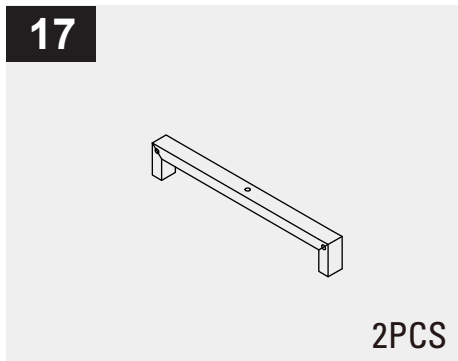
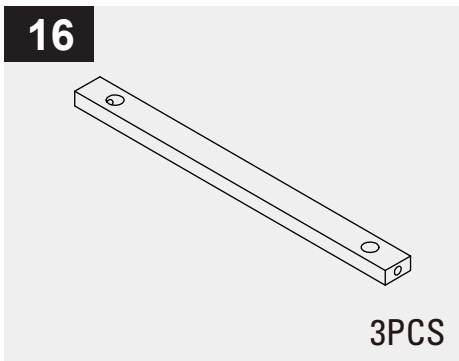
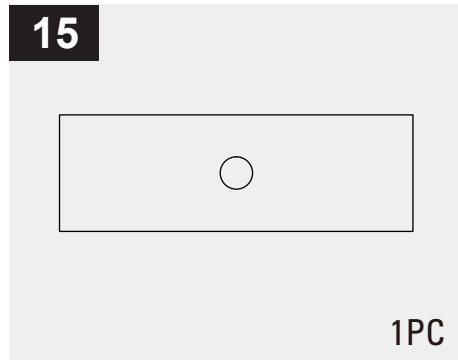
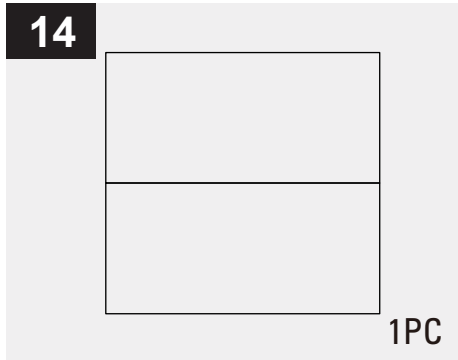
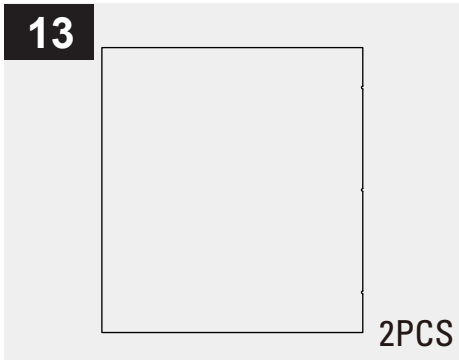
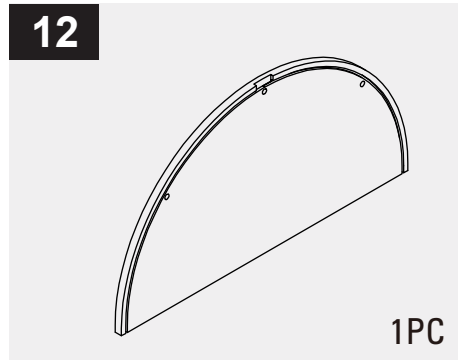
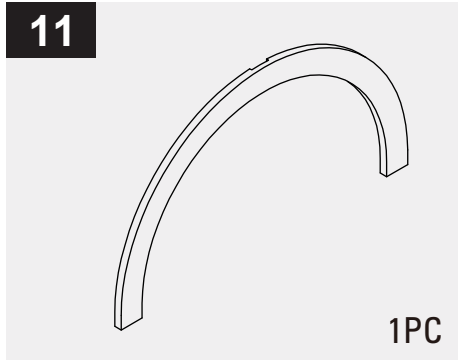
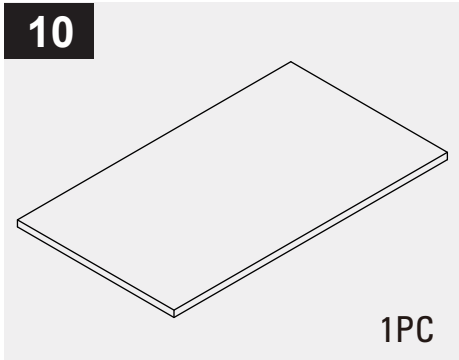


1PC

9

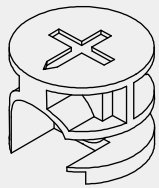


1PC



HARDWARE

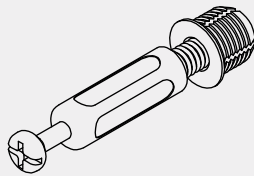
A



Φ 15*12mm

34+1PCS

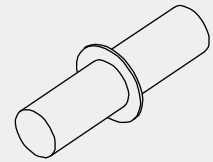
B



Φ6*43mm

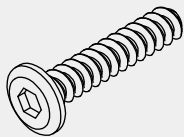
34+1PCS

C



4+1PCS

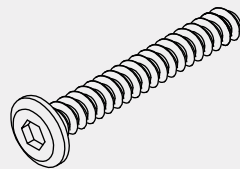
D



M6*30mm

4+1PCS

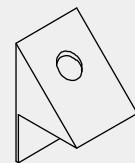
E



M6*40mm

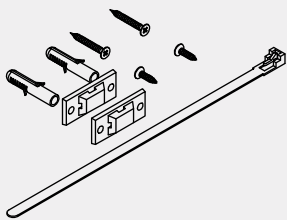
4+1PCS

F



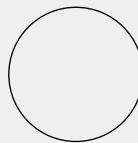
10PCS

G



2PCS

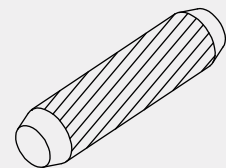
H



Φ21mm

28PCS

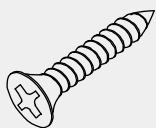
I



Φ8*30mm

6PCS

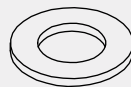
J



K3*14mm

13+1PCS

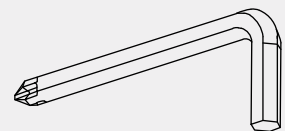
K



M4

3PCS

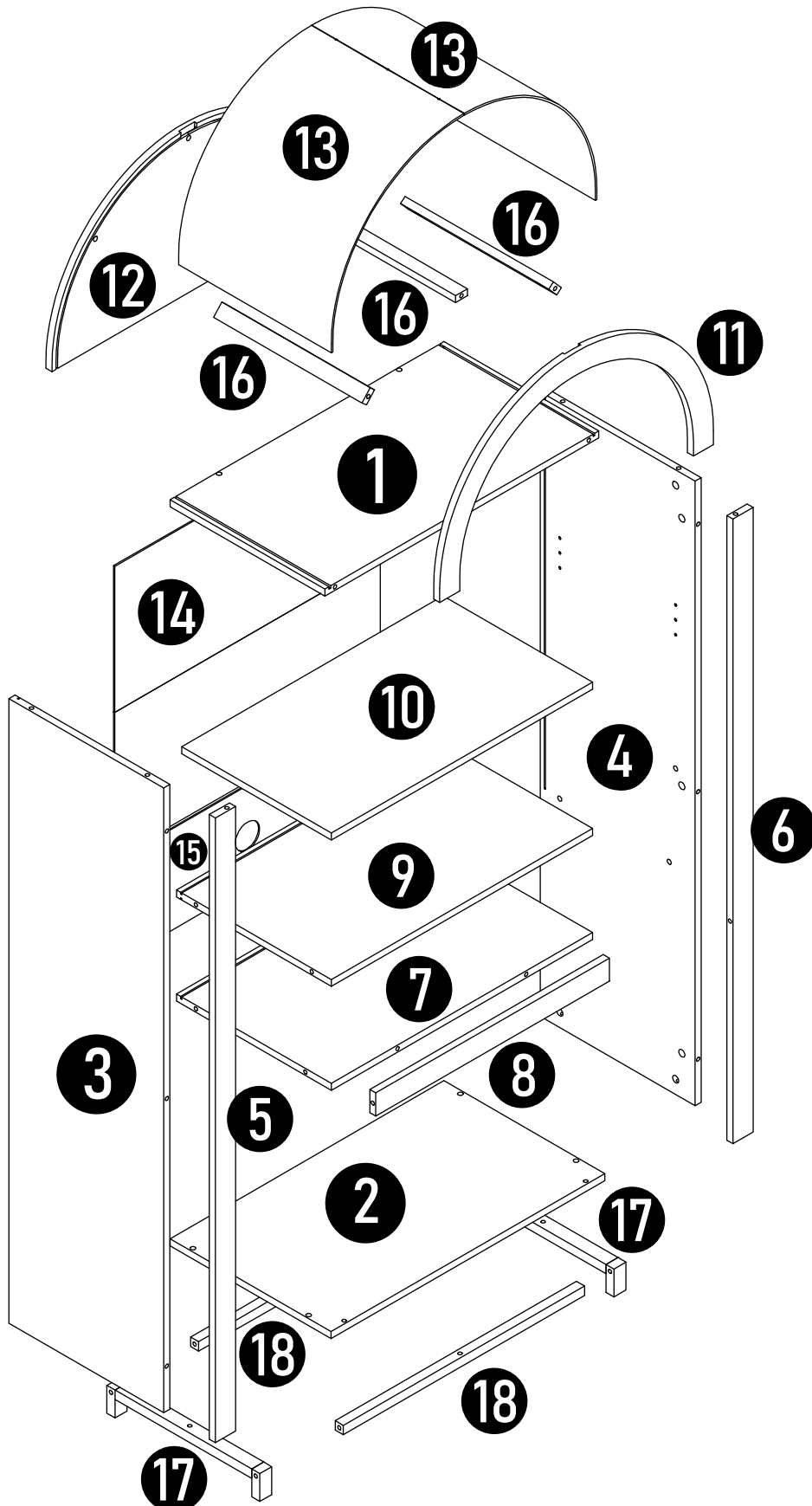
L



1PC

PRE-ASSEMBLY PREPARATION

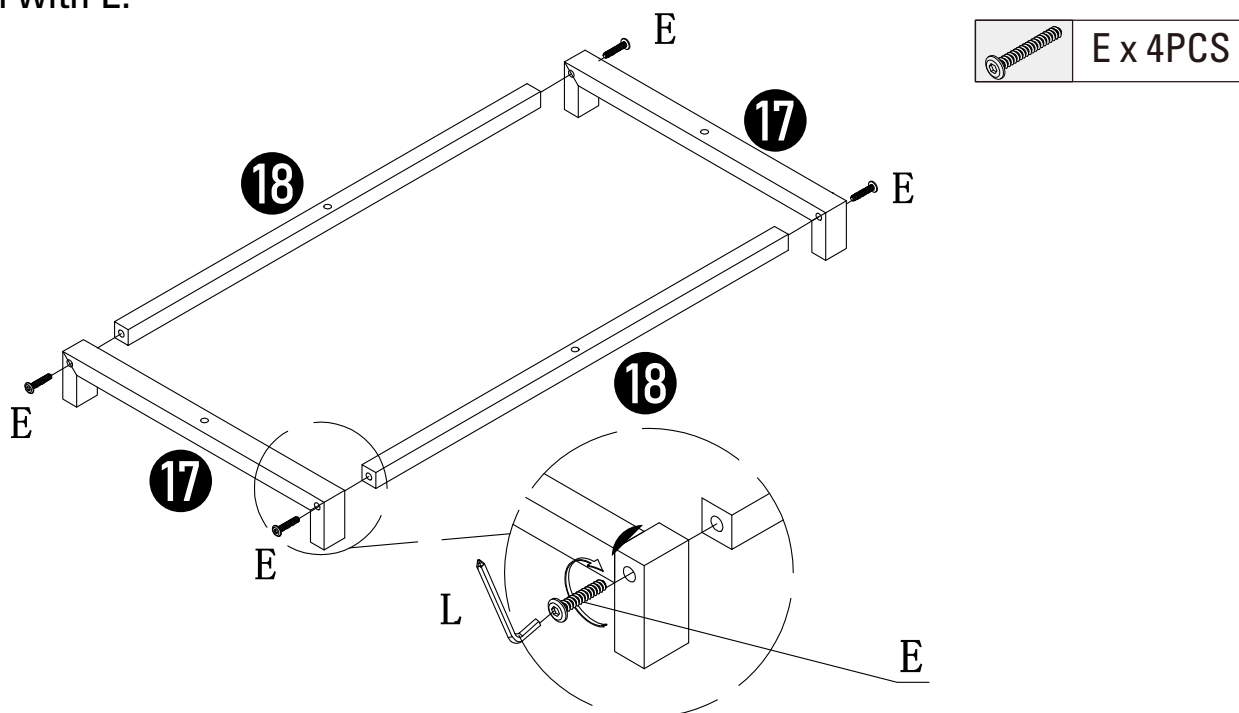
Ensure all parts and hardware are included in the package.
Lay out all components on a flat, soft surface to avoid scratches.



PRODUCT ASSEMBLY

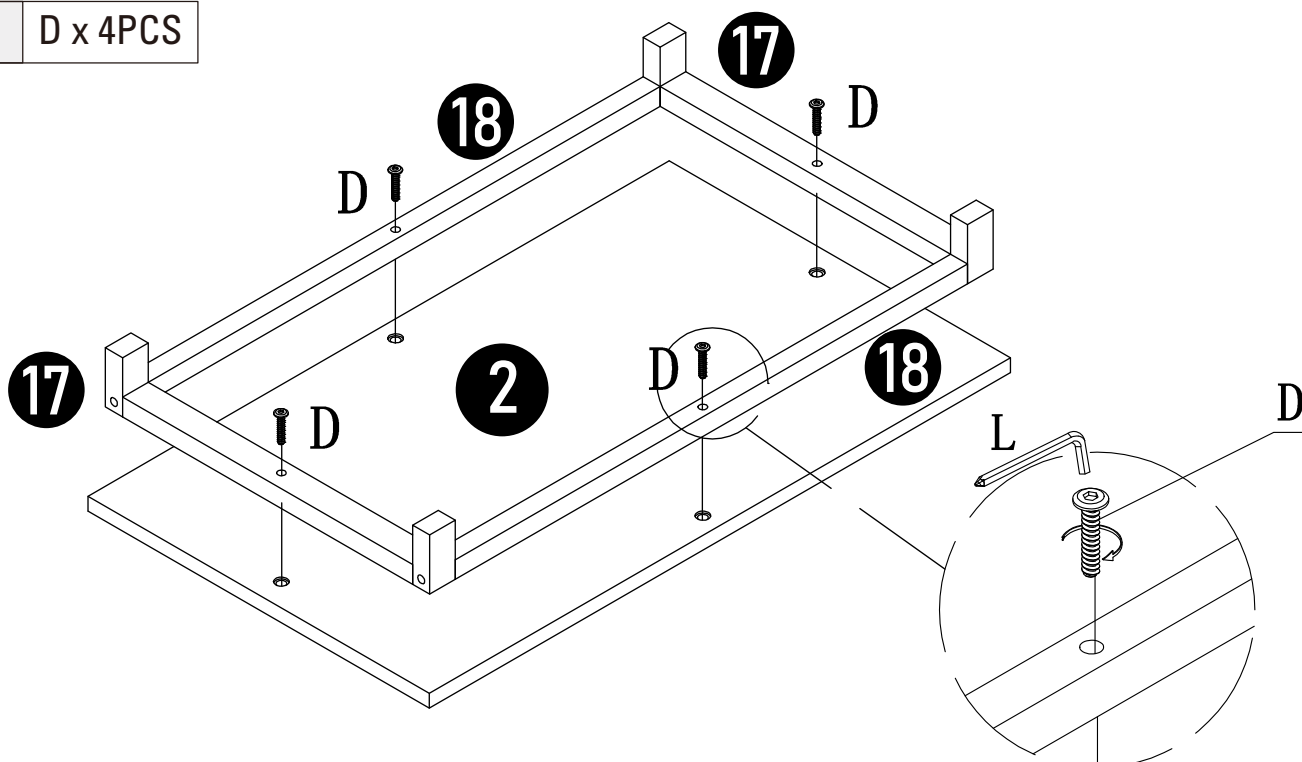
STEP 1

Take out E (4 pieces). Connect ⑰ and ⑱ as shown in the diagram, and secure them with E.



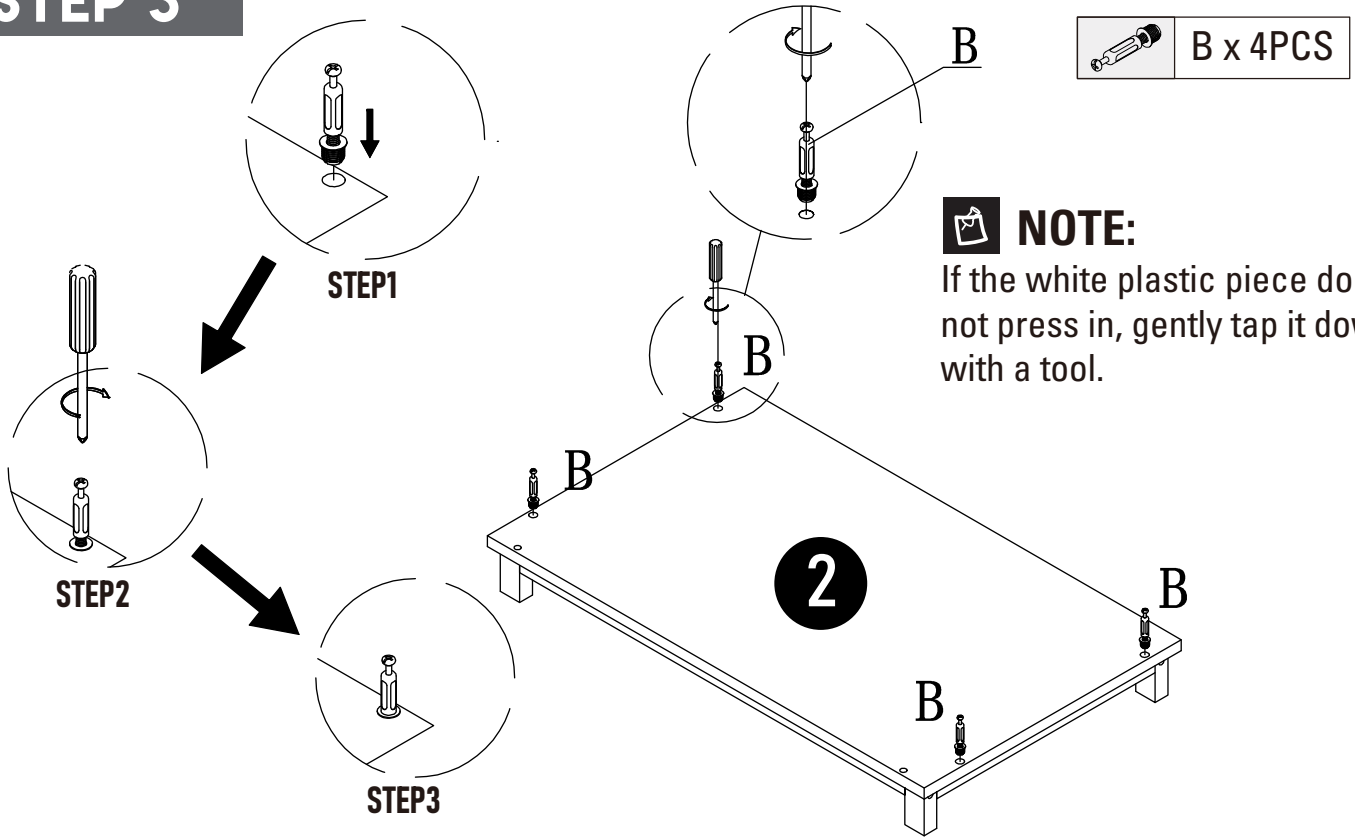
STEP 2

Connect ② with the assembled part from Step 1, and secure them with D.



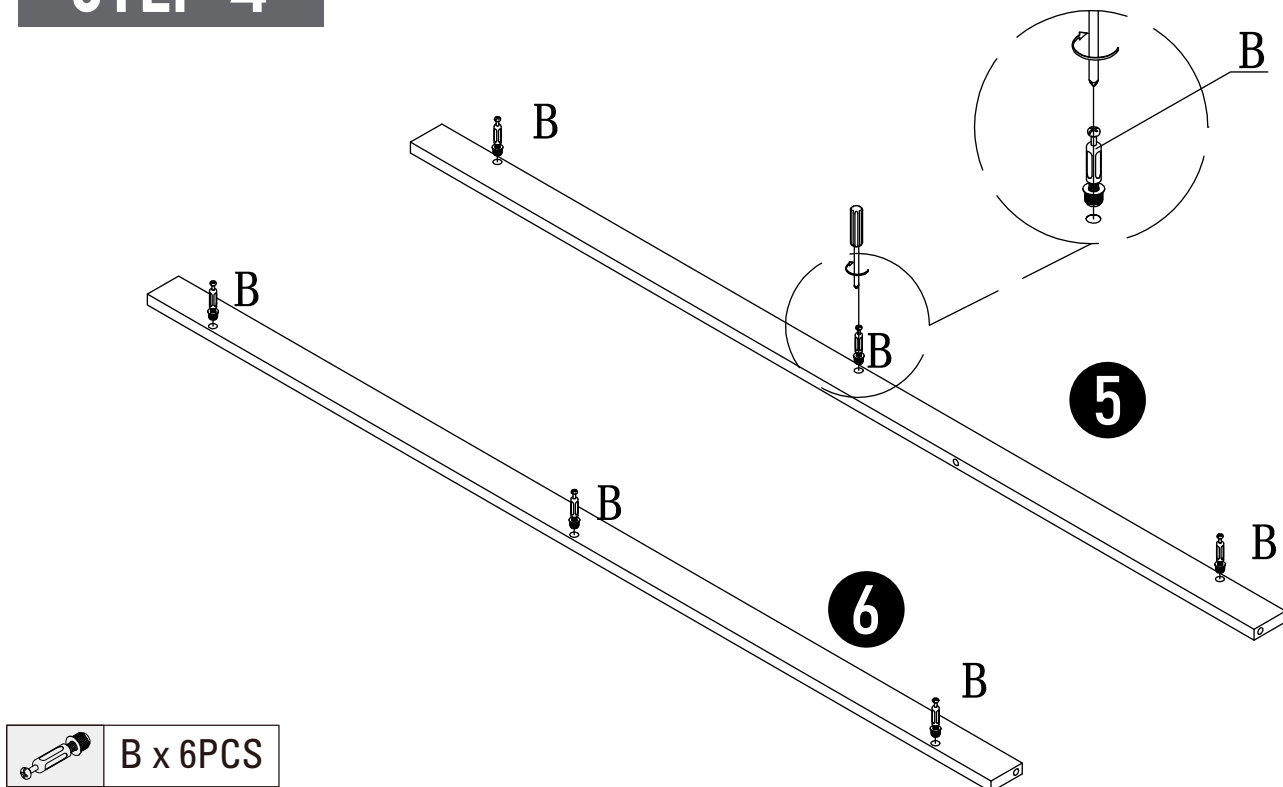
PRODUCT ASSEMBLY

STEP 3



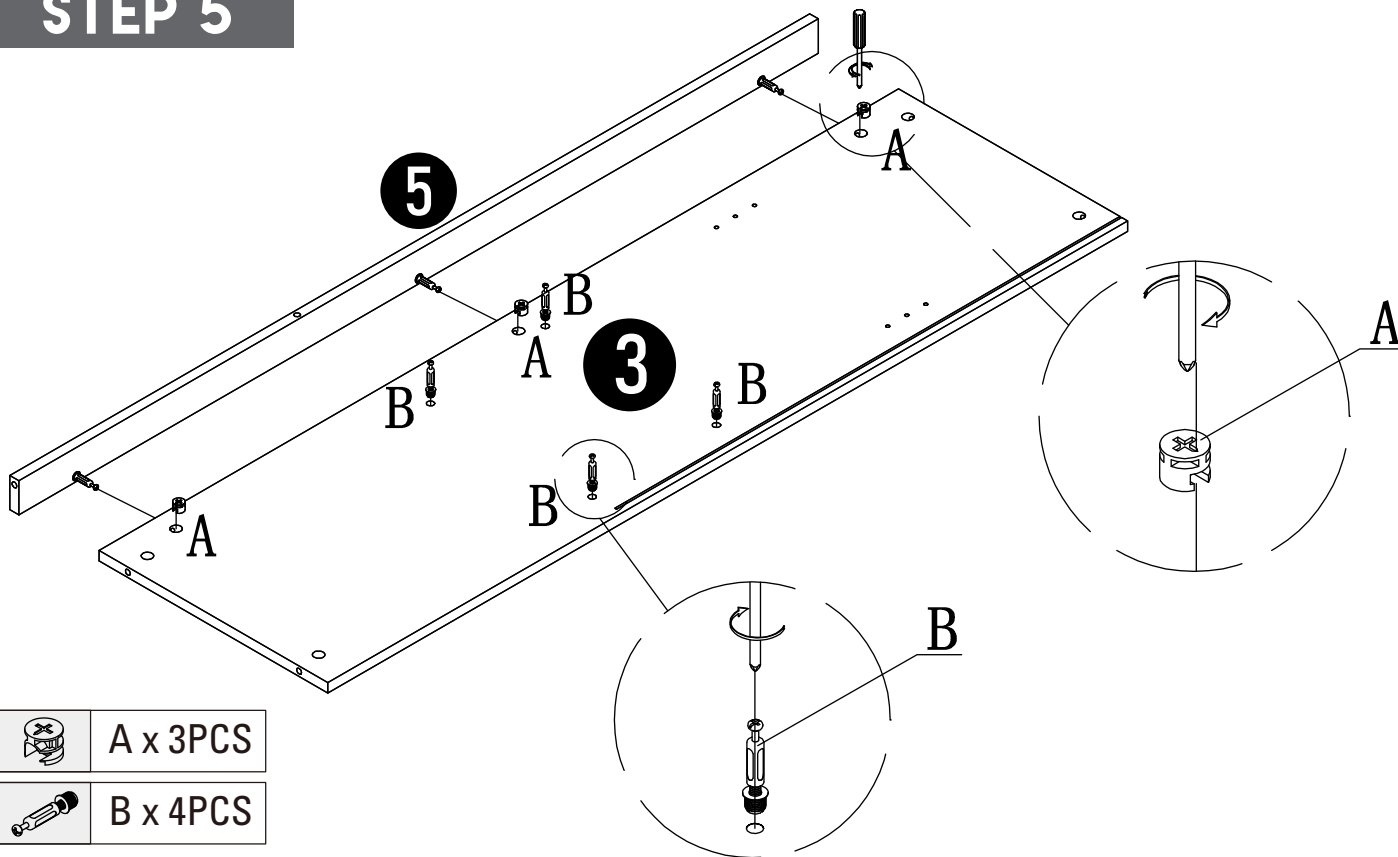
Flip the assembled part from **Step 2**. Insert 4 B support pegs into the designated holes.

STEP 4



PRODUCT ASSEMBLY

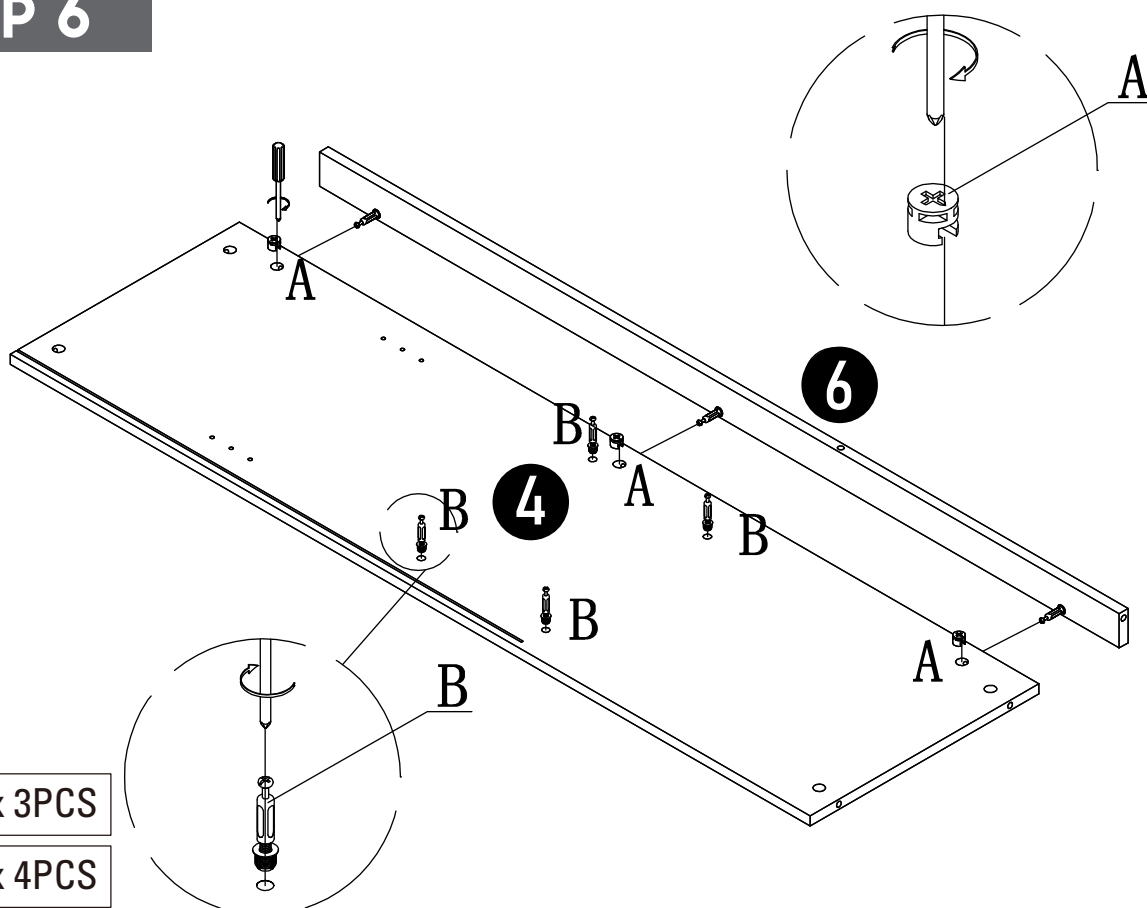
STEP 5



 A x 3PCS

 B x 4PCS

STEP 6

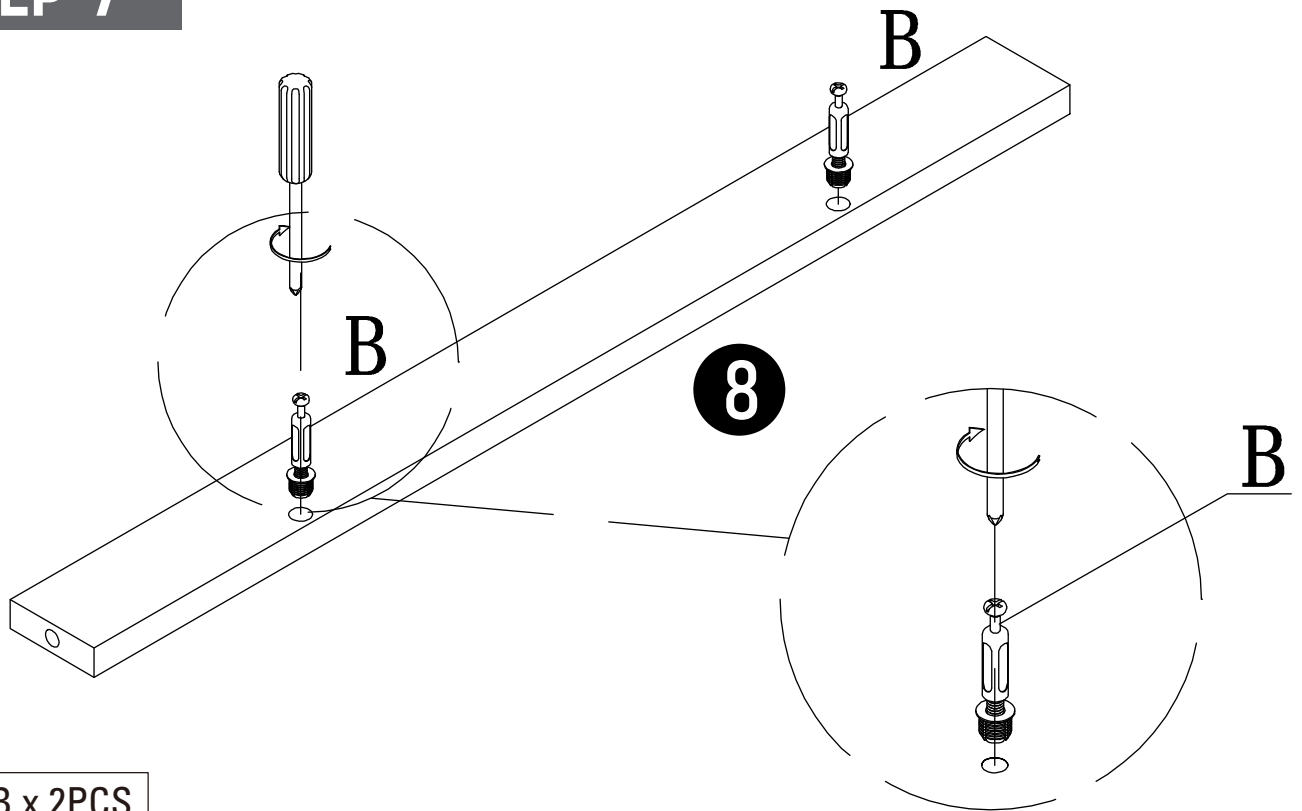


 A x 3PCS

 B x 4PCS

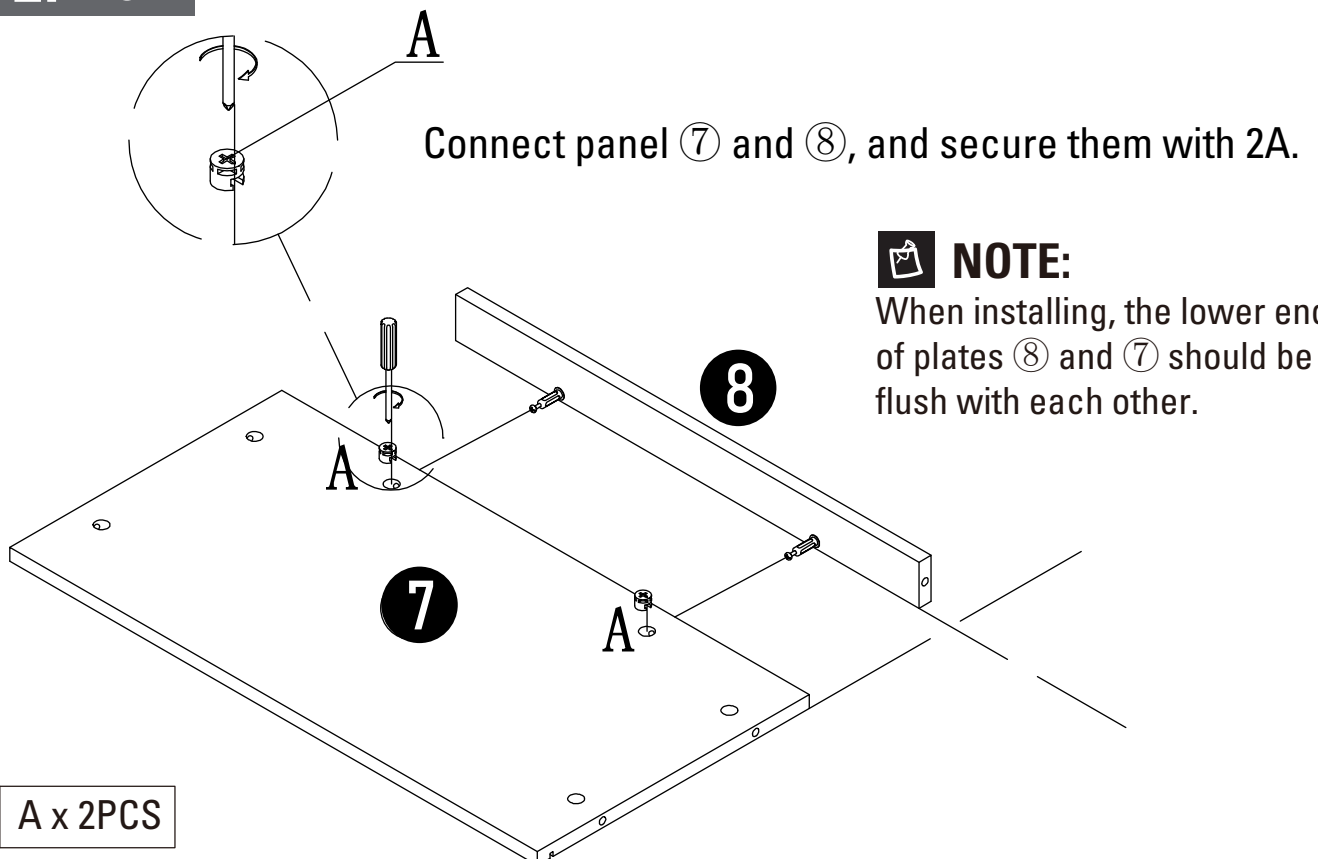
PRODUCT ASSEMBLY

STEP 7



B x 2PCS

STEP 8



NOTE:

When installing, the lower ends of plates ⑧ and ⑦ should be flush with each other.

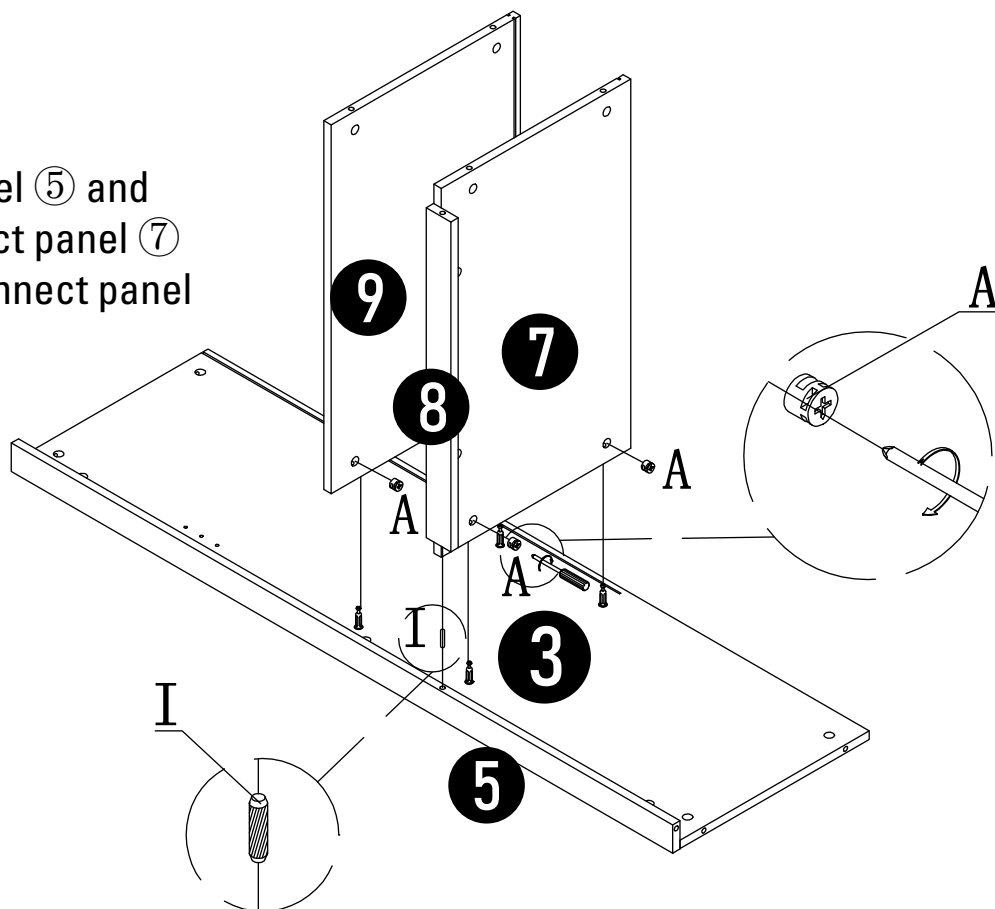




A x 2PCS

PRODUCT ASSEMBLY

STEP 9

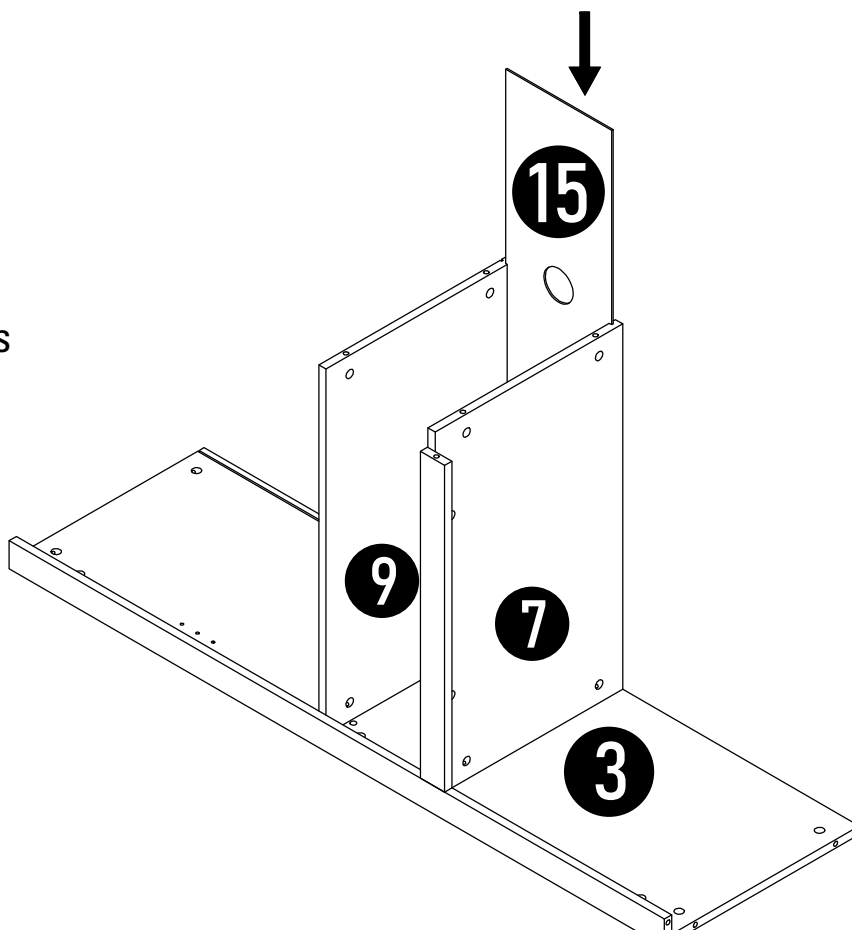
Use I to connect panel ⑤ and ⑧, Use 2 A to connect panel ⑦ and ③, Use 2A to connect panel ⑨ and ③.



	A x 4PCS
	I x 1PC

STEP 10

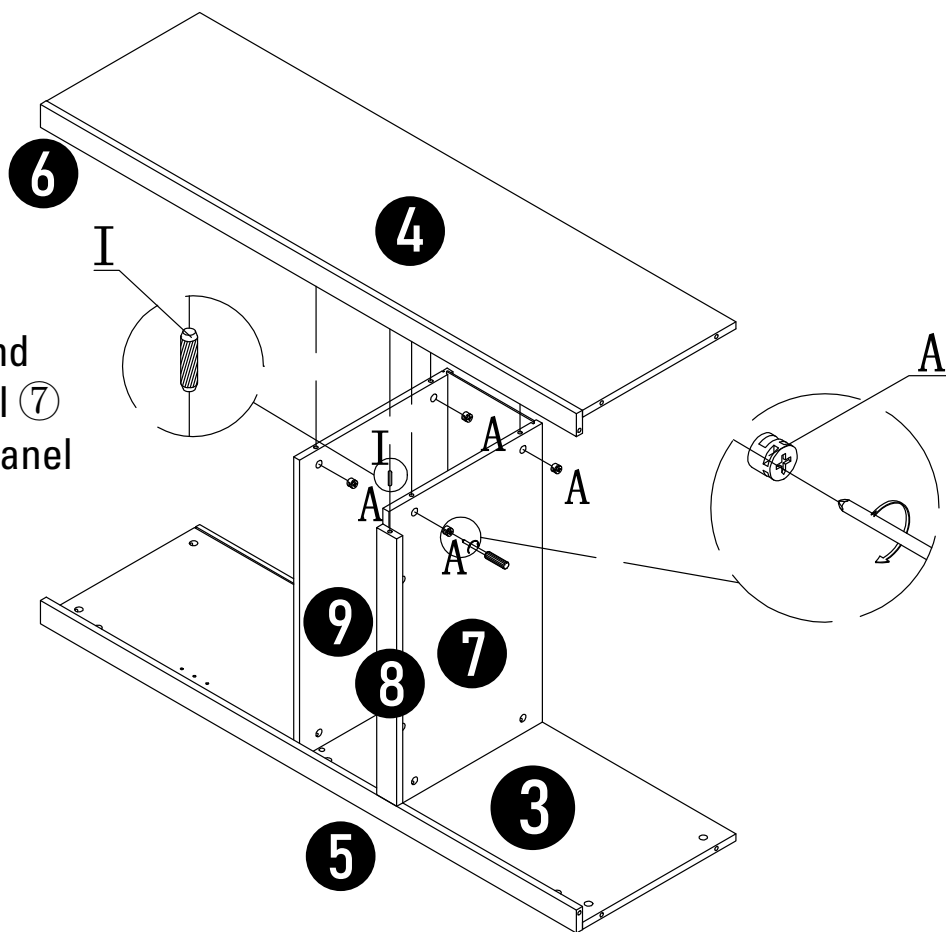
Slide panel ⑮ into the grooves of ⑦ and ⑨, ensuring it fits securely into the slot of ③.





PRODUCT ASSEMBLY

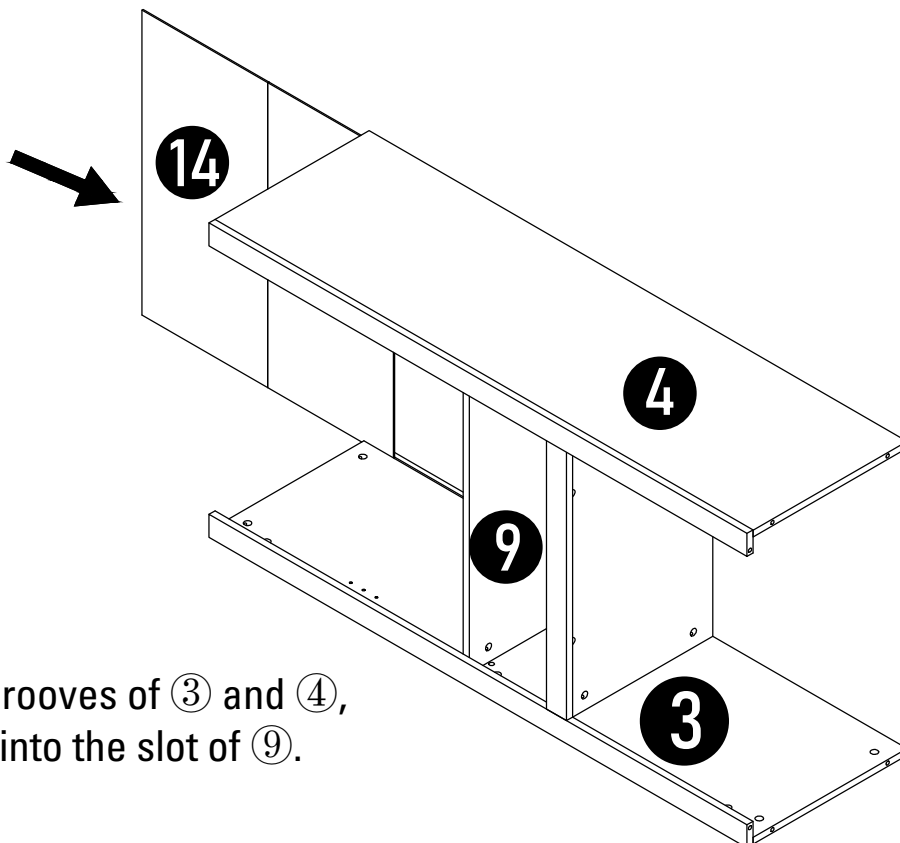
STEP 11

Use I to connect panel ⑥ and ⑧, Use 2 A to connect panel ⑦ and ④, Use 2A to connect panel ⑨ and ④.



	A x 4PCS
	I x 1PC

STEP 12

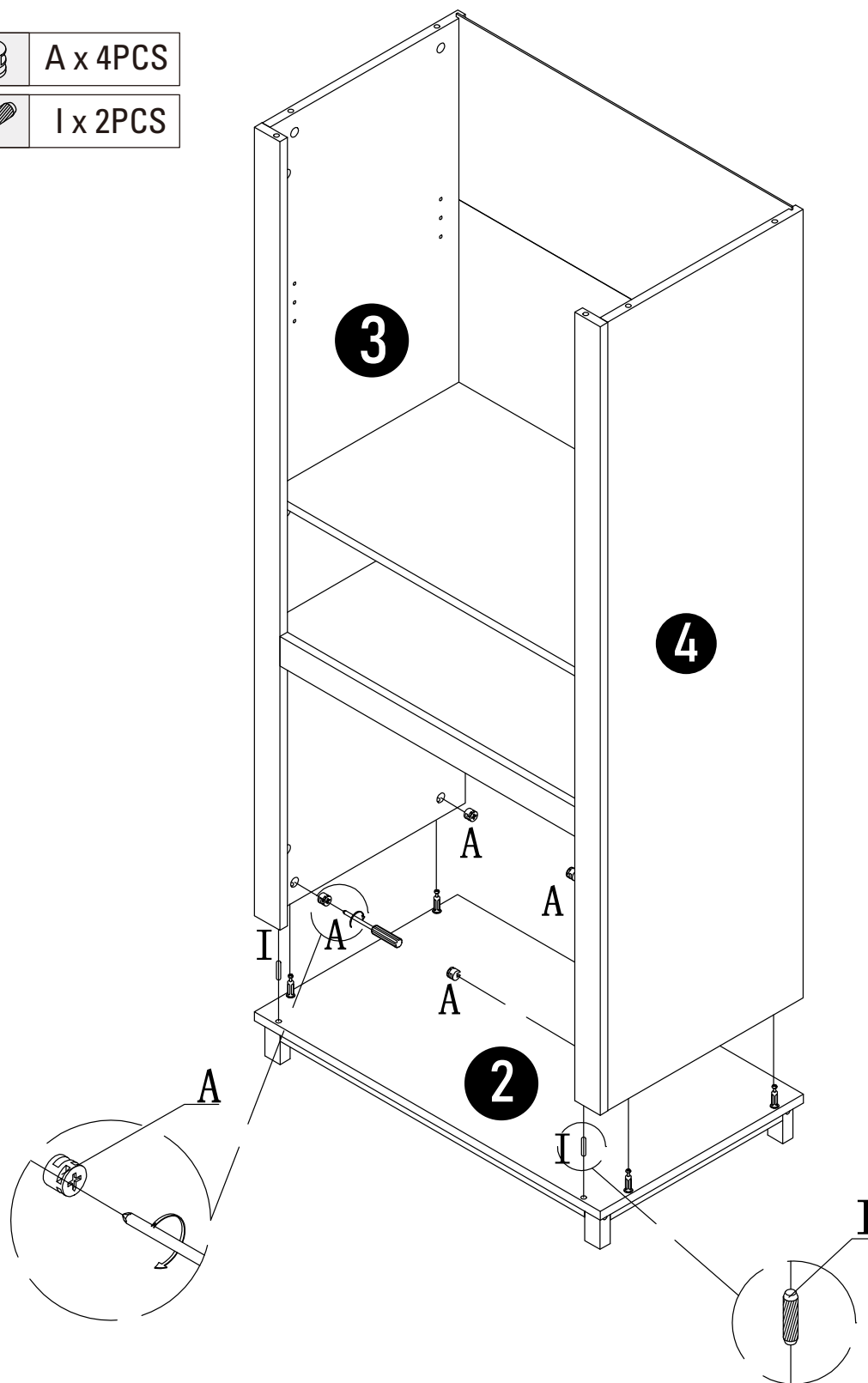


Slide panel ⑭ into the grooves of ③ and ④, ensuring it fits securely into the slot of ⑨.

PRODUCT ASSEMBLY

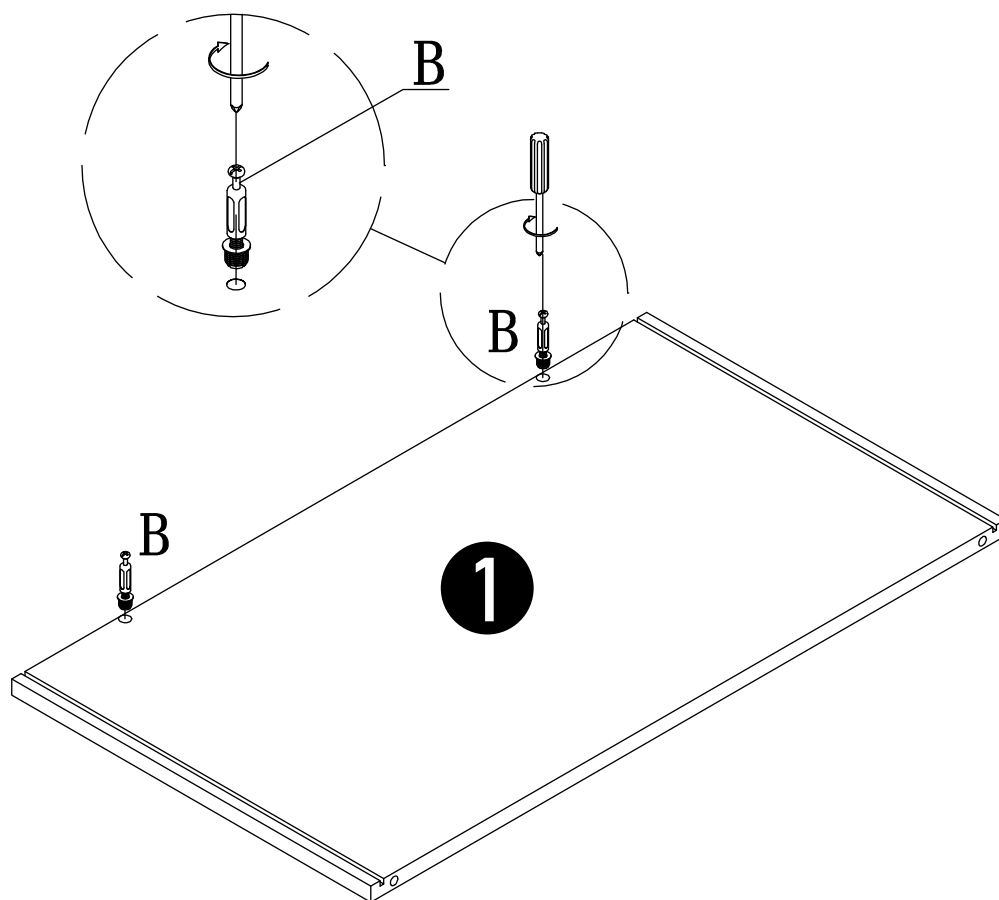
STEP 13

Join the assembled units from **STEP12** and **STEP3** using four A and two I, as shown in the illustration.



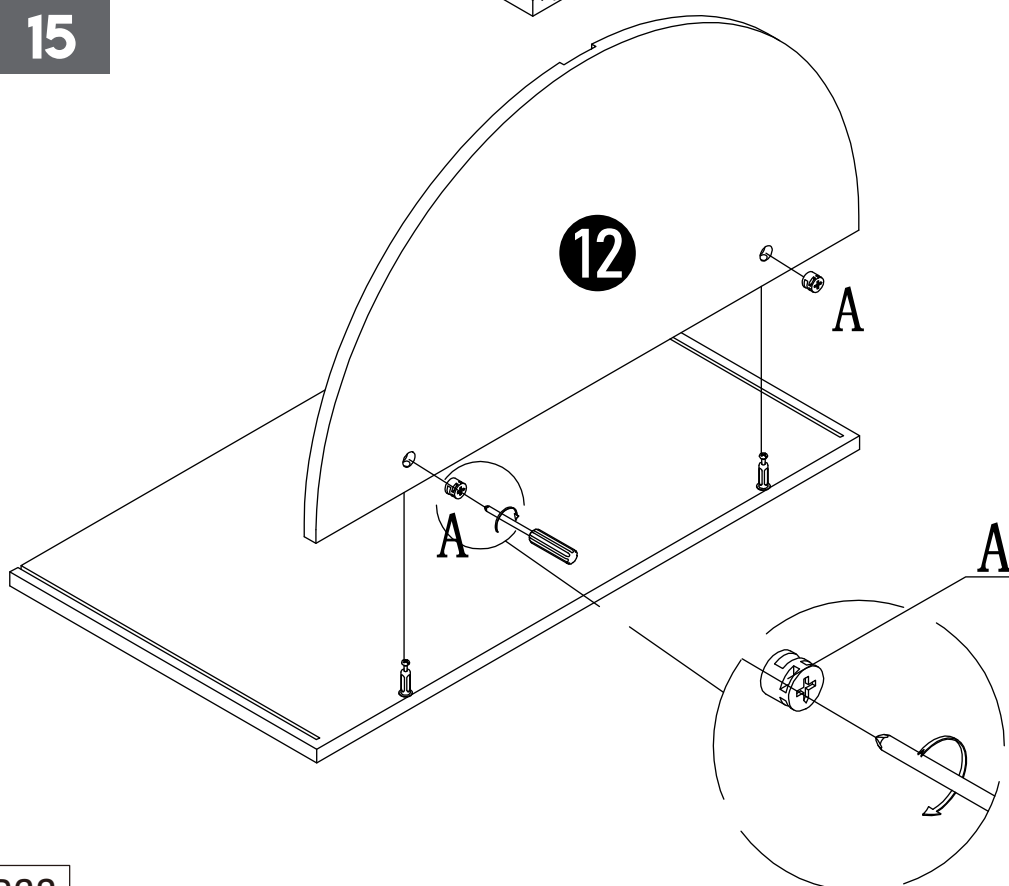
PRODUCT ASSEMBLY

STEP 14



 B x 2PCS

STEP 15

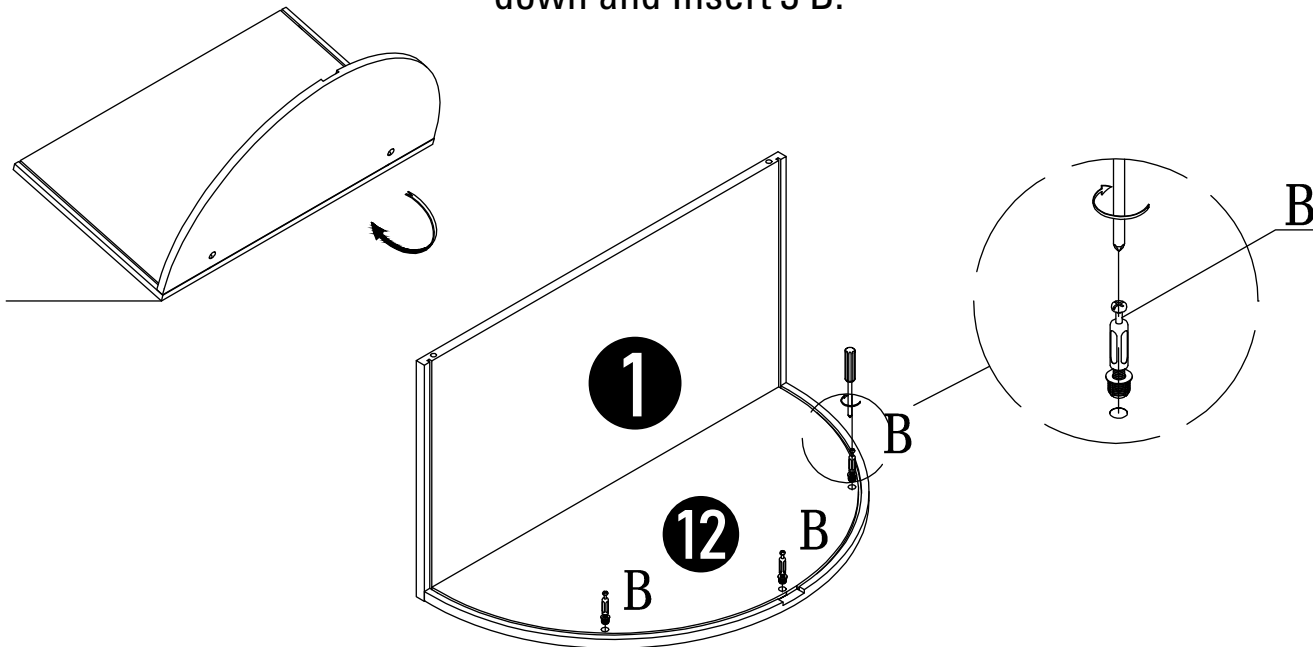


 A x 2PCS

PRODUCT ASSEMBLY

STEP 16

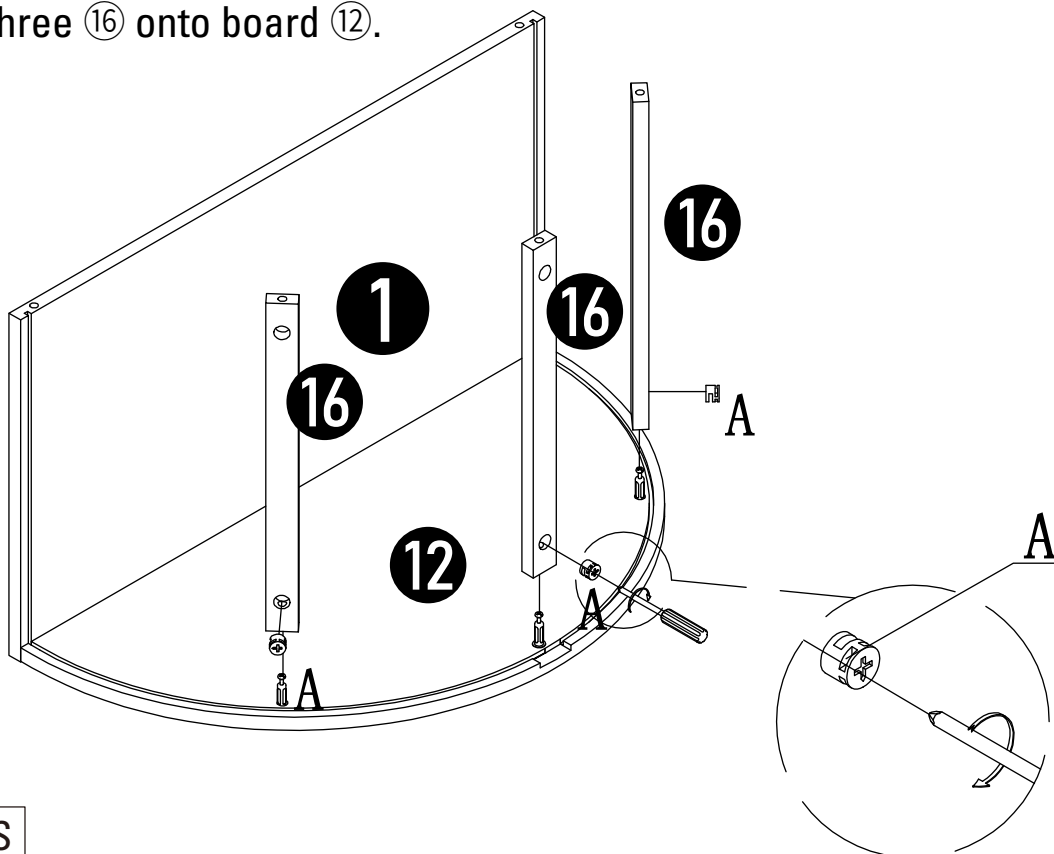
Flip the assembled part from **STEP15** upside down and Insert 3 B.



B x 3PCS

STEP 17

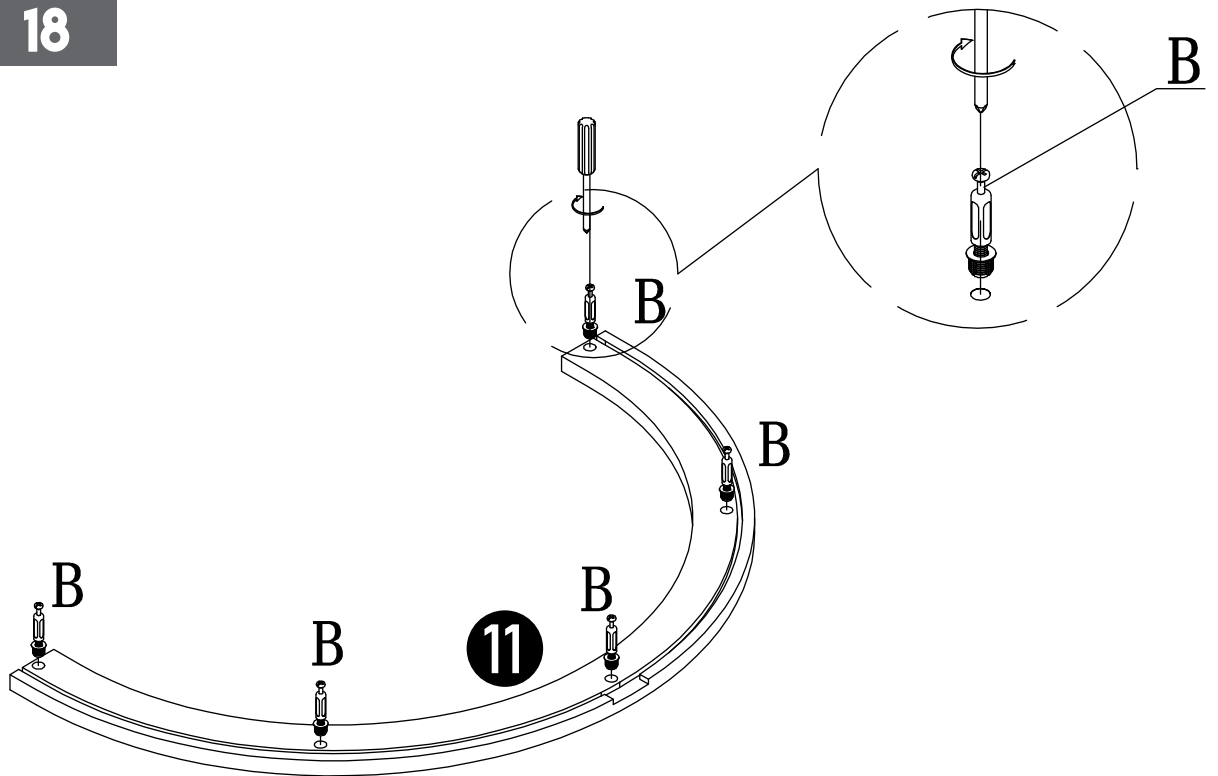
Use 3A to fix three ⑩ onto board ⑫.



A x 3PCS

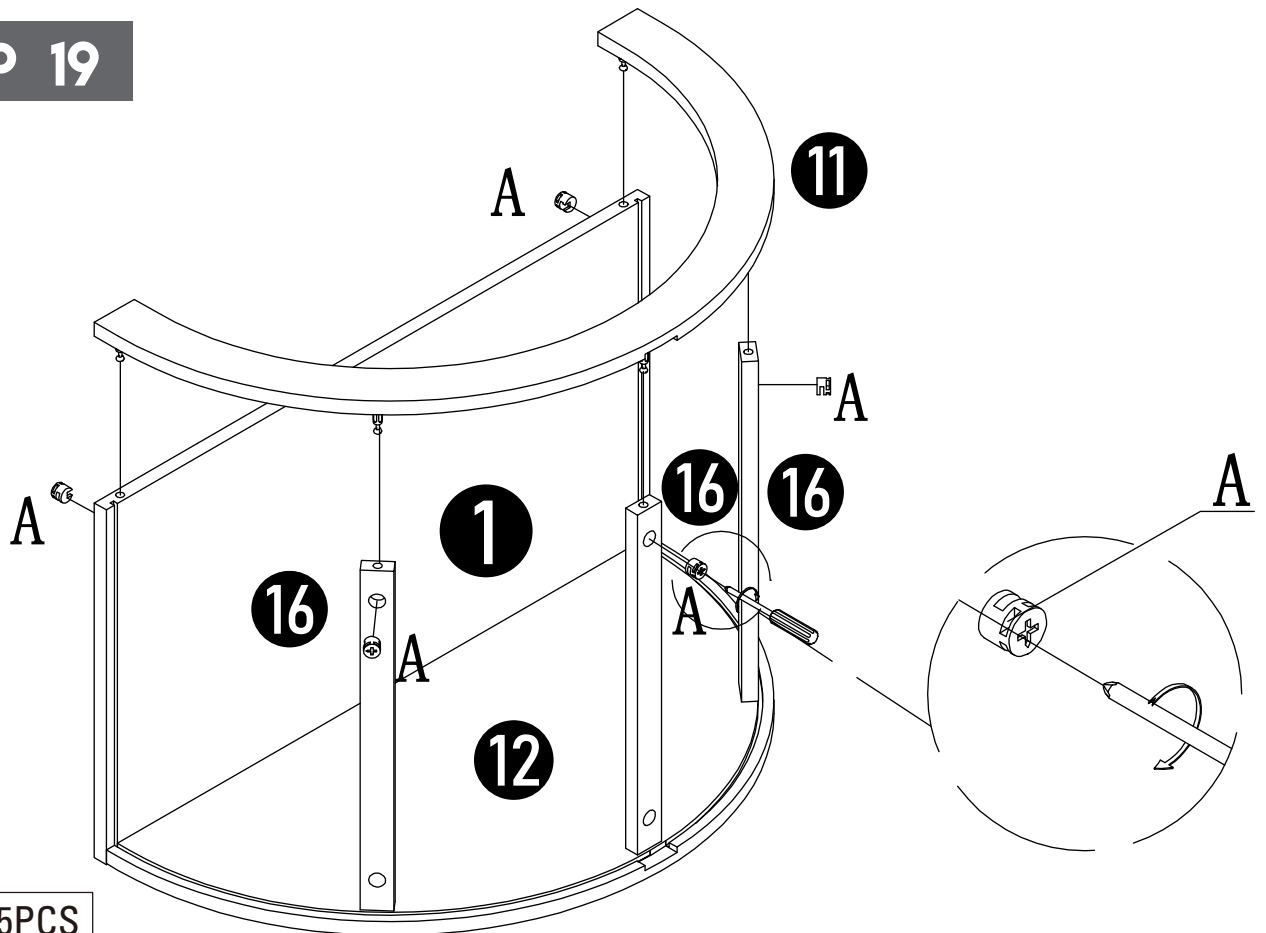
PRODUCT ASSEMBLY

STEP 18



 B x 5PCS

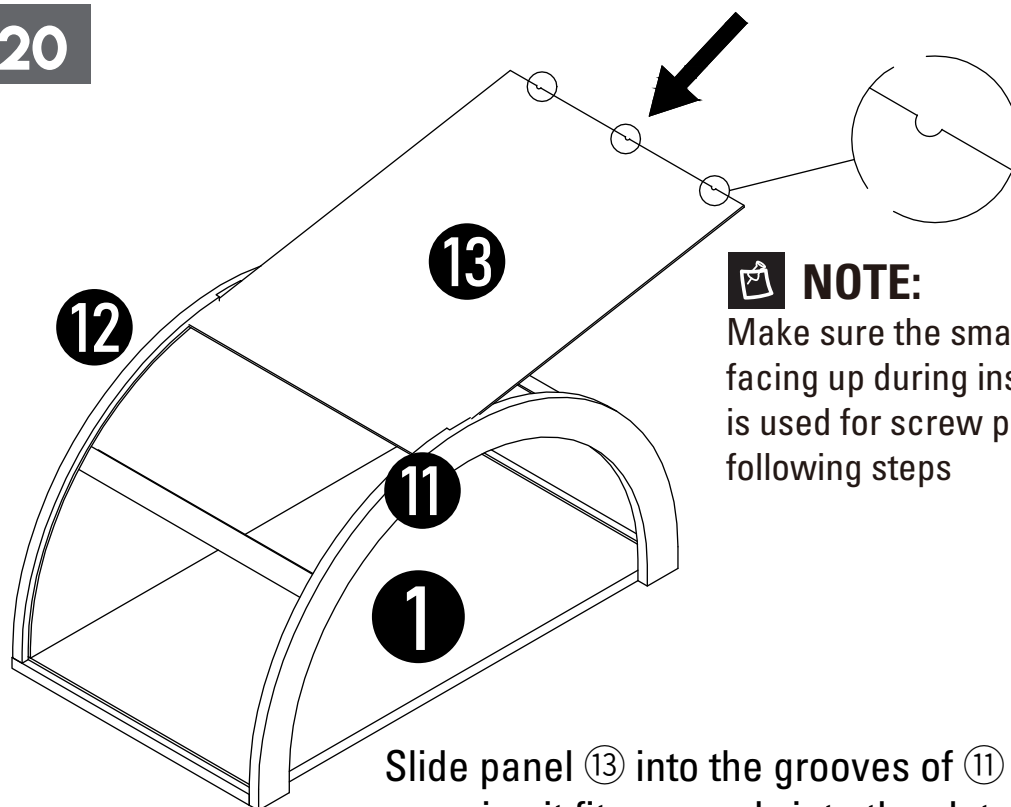
STEP 19



 A x 5PCS

PRODUCT ASSEMBLY

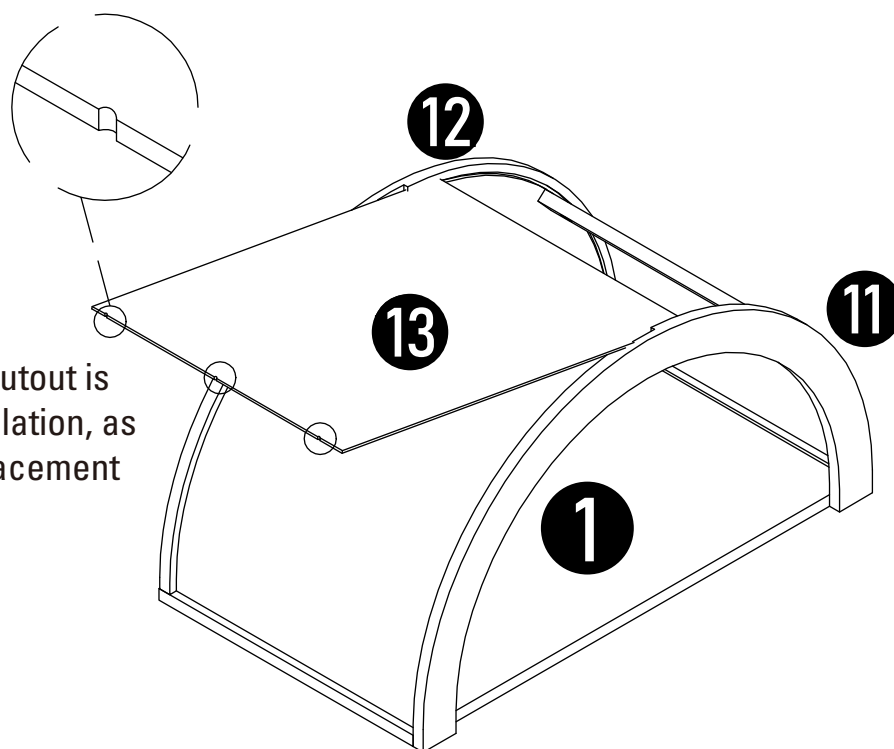
STEP 20



Slide panel ⑬ into the grooves of ⑪ and ⑫, ensuring it fits securely into the slot of ①.

STEP 21

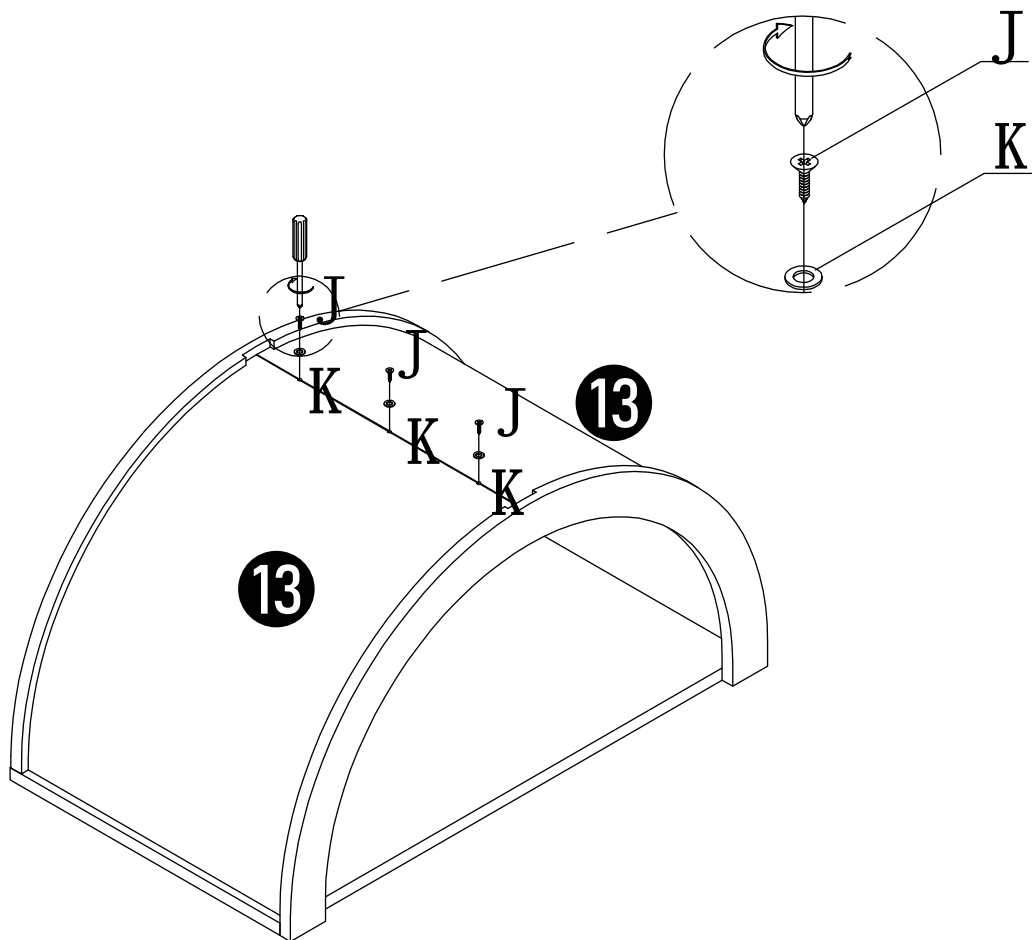
NOTE:
Make sure the small cutout is facing up during installation, as it is used for screw placement in the following steps



Slide panel ⑬ into the grooves of ⑪ and ⑫, ensuring it fits securely into the slot of ①.

PRODUCT ASSEMBLY

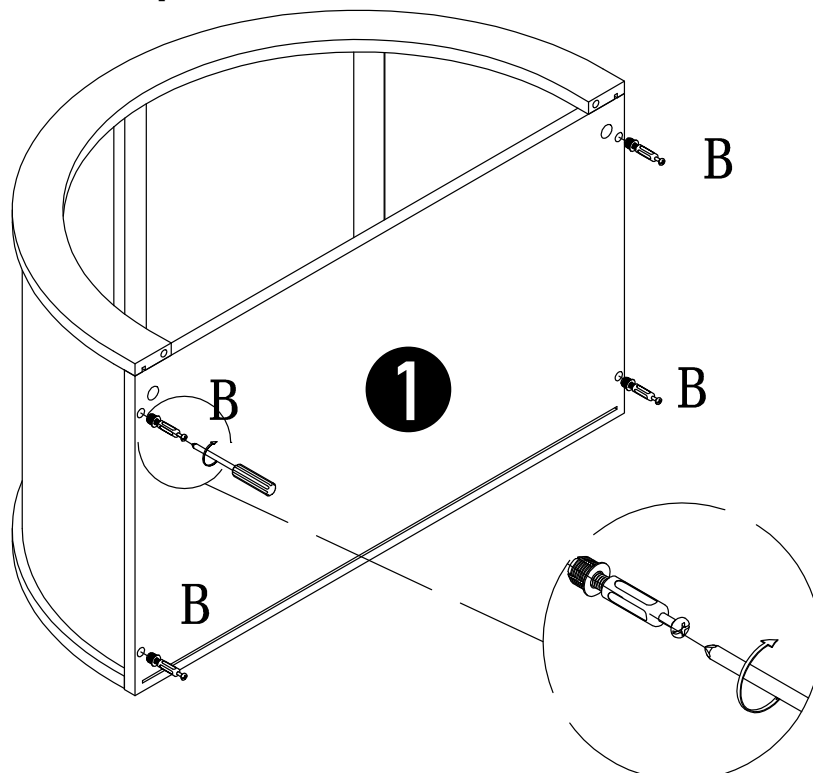
STEP 22



	J x 3PCS
	K x 3PCS

STEP 23

Flip the assembly from **Step 22** over, then install 4 B.

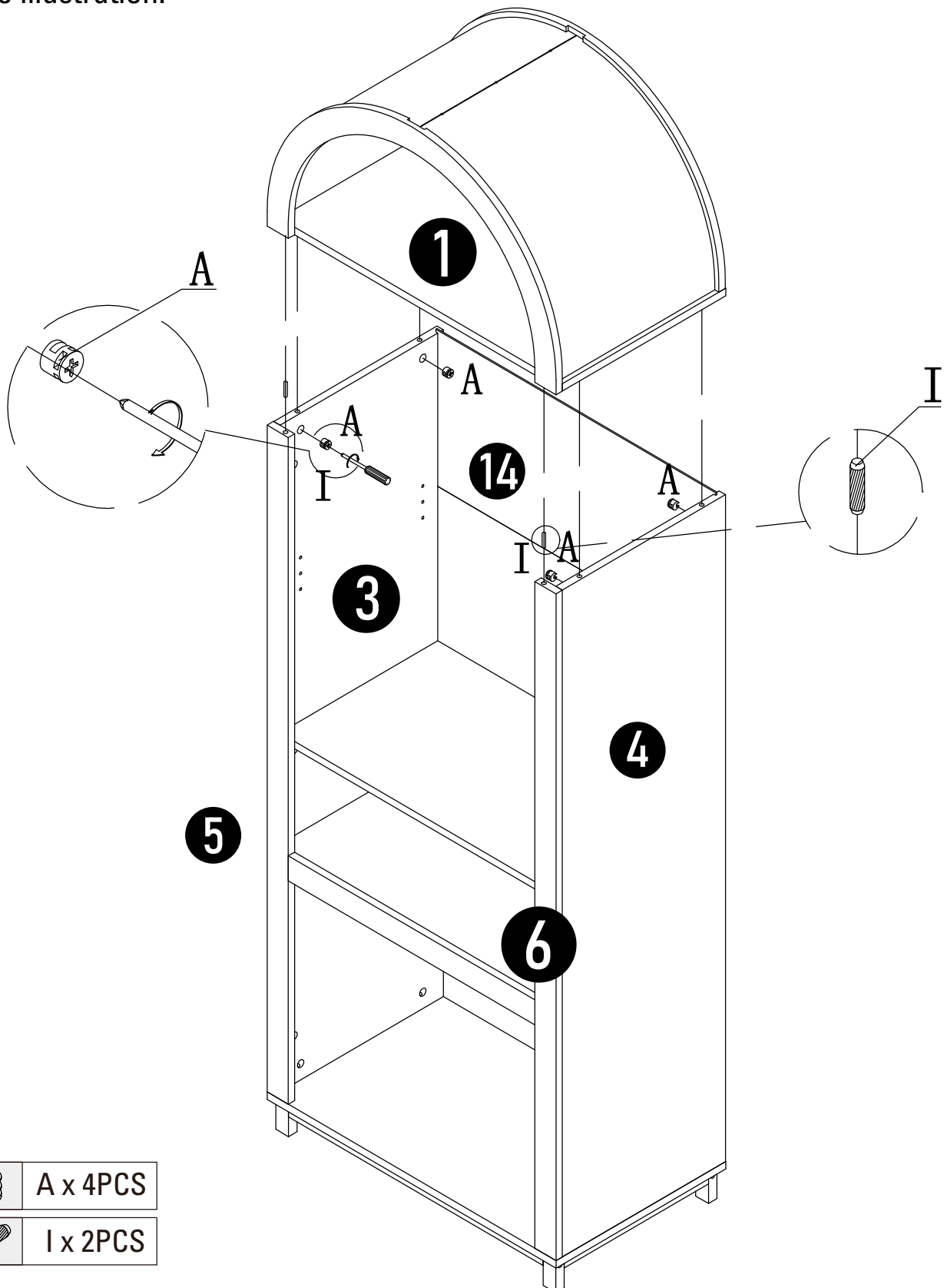




	B x 4PCS
--	----------

PRODUCT ASSEMBLY

STEP 24

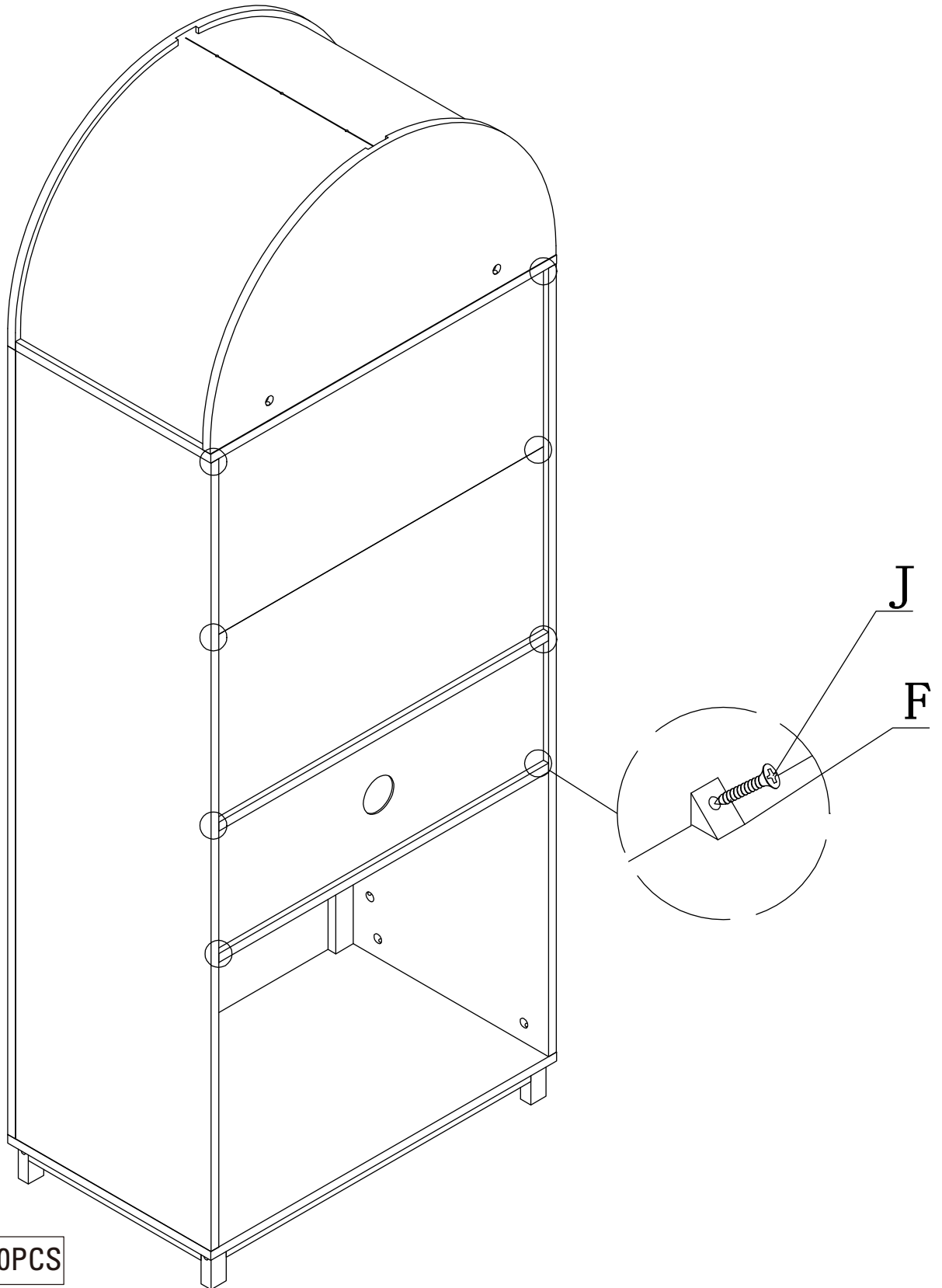
Join the assembled units from **STEP13** and **STEP23** using four A and two I, as shown in the illustration.





	A x 4PCS
	I x 2PCS

PRODUCT ASSEMBLY

STEP 25

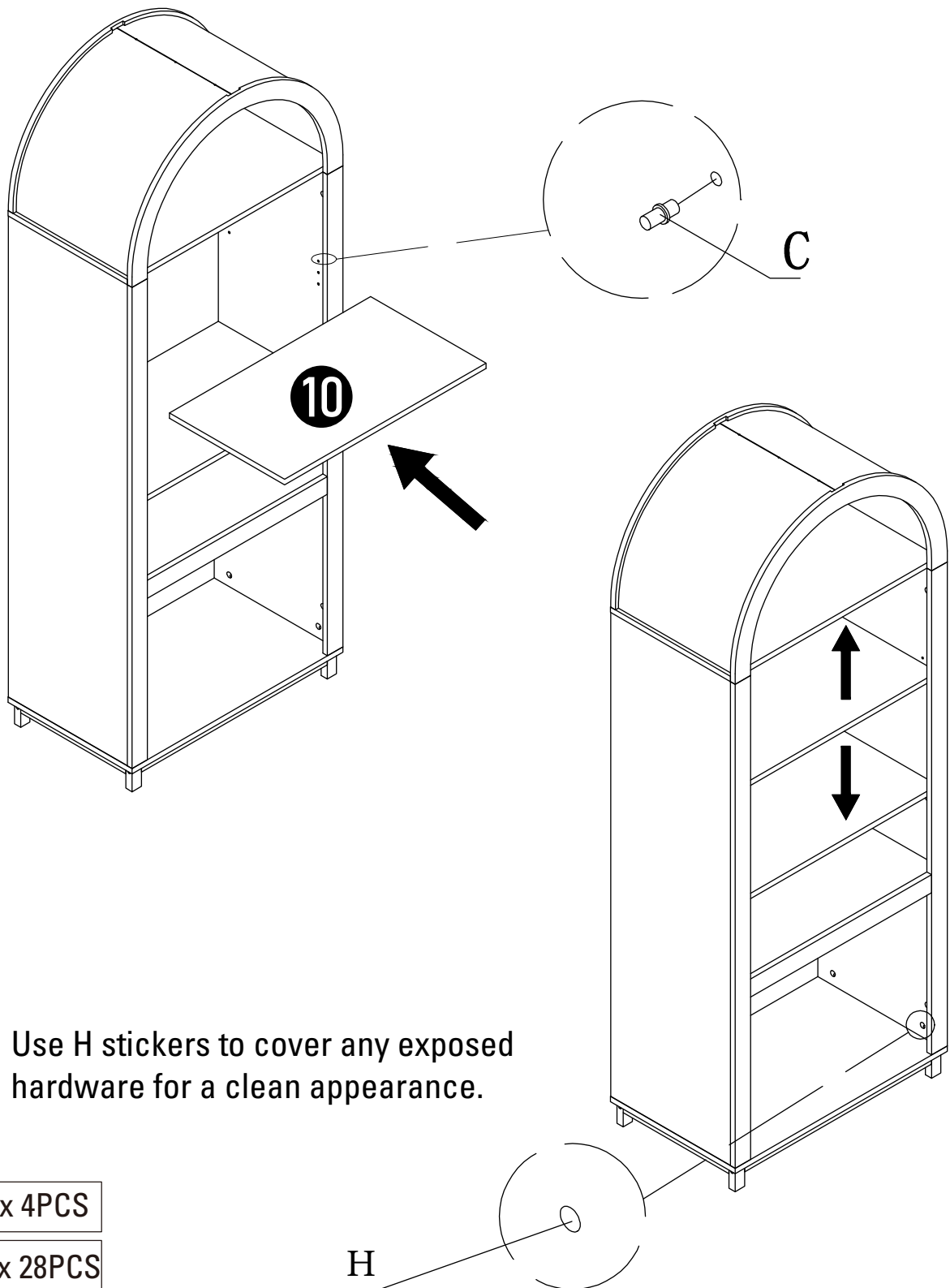


	J x 10PCS
	F x 10PCS



PRODUCT ASSEMBLY

STEP 26

Installing Adjustable Shelf-Insert C fasteners into the designated holes. The shelf height can be adjusted based on your preference.



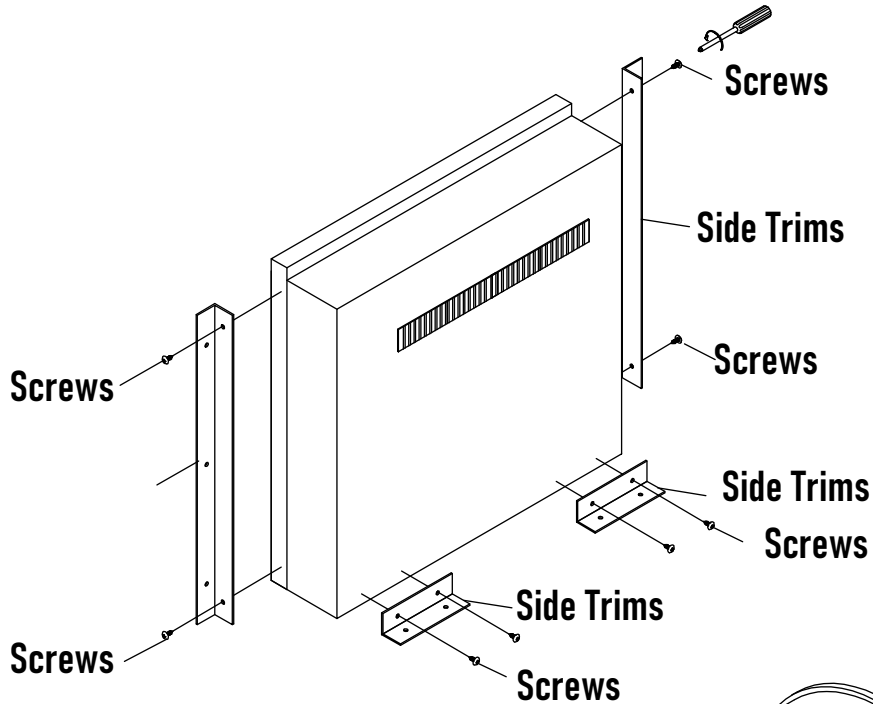
Use H stickers to cover any exposed hardware for a clean appearance.

	C x 4PCS
	H x 28PCS

PRODUCT ASSEMBLY

STEP 27

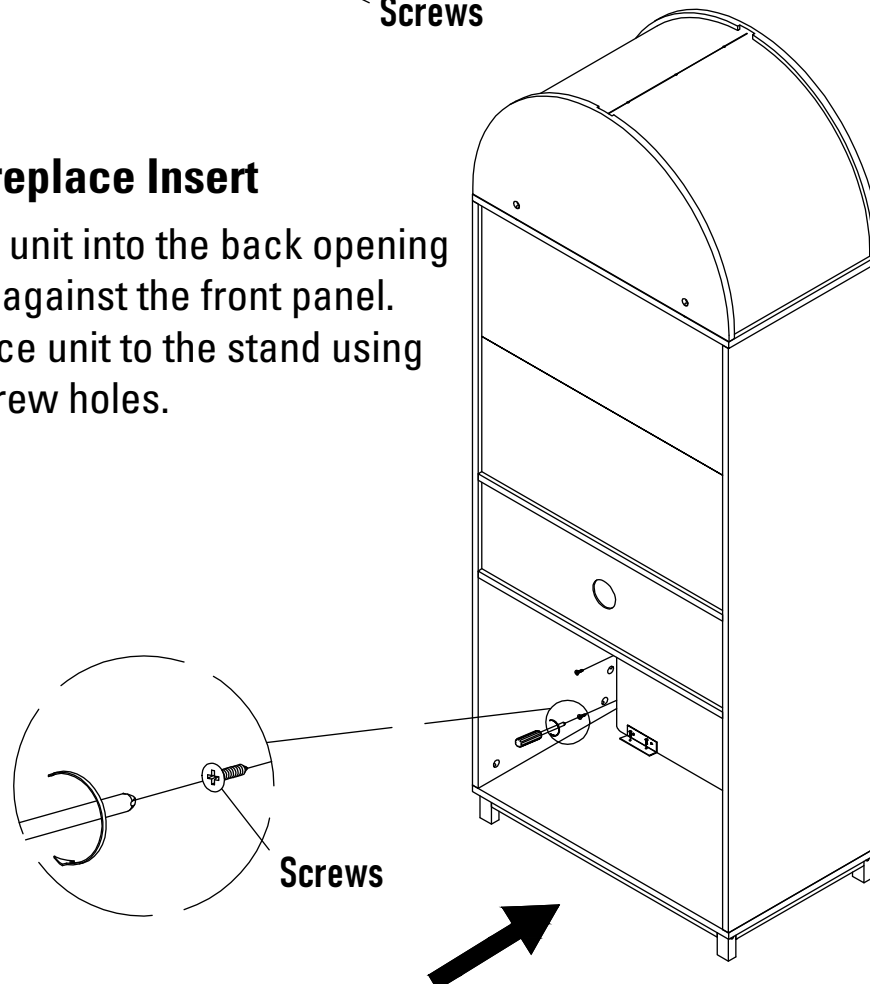
Align and attach two side trims to both sides of the fireplace insert respectively with the right angle side facing the front of the unit, using two screws per trim.



STEP 28

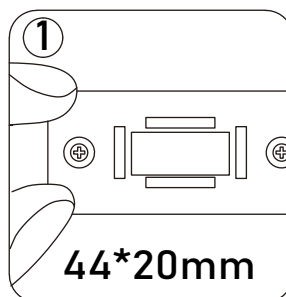
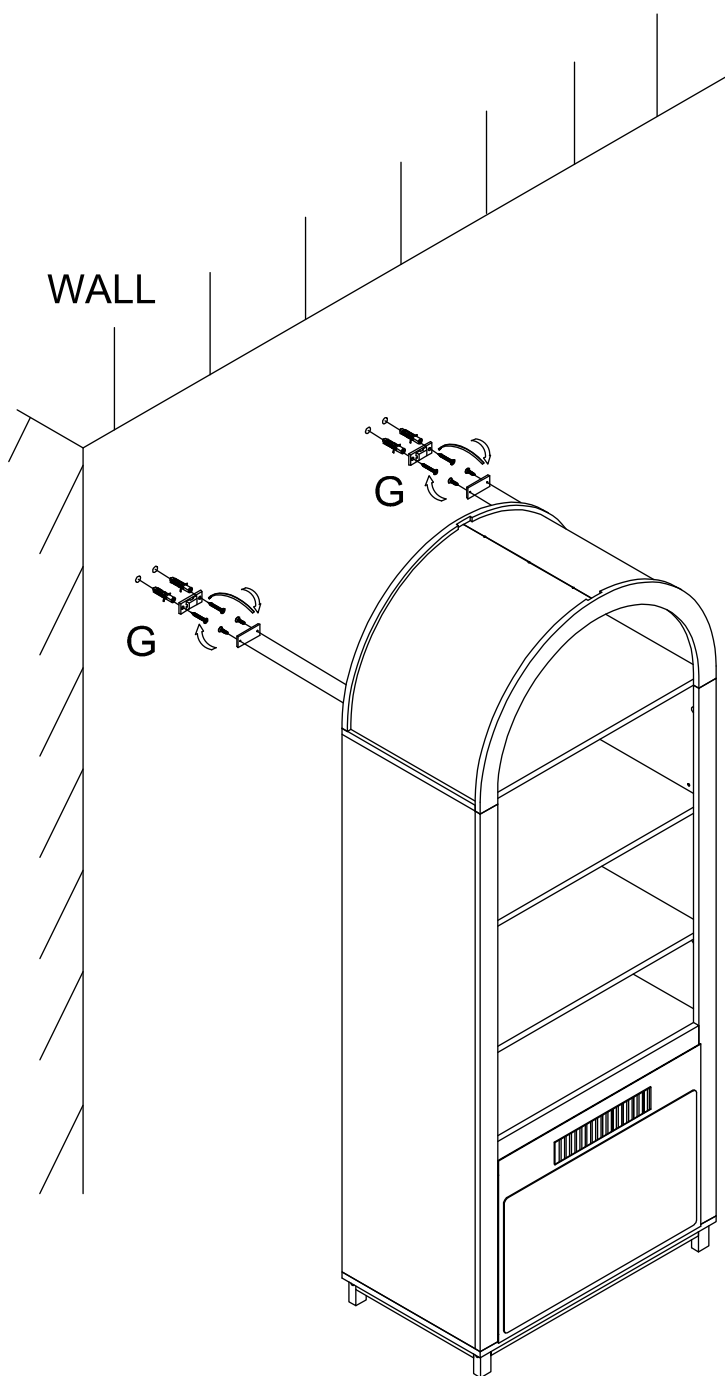
Installing the Fireplace Insert

Slide the fireplace unit into the back opening until it rests firmly against the front panel. Secure the fireplace unit to the stand using the designated screw holes.

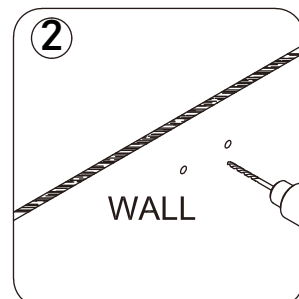


PRODUCT ASSEMBLY

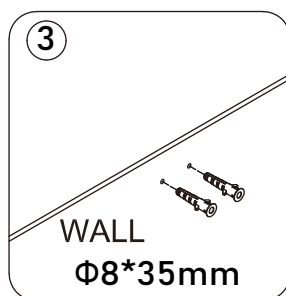
STEP 29



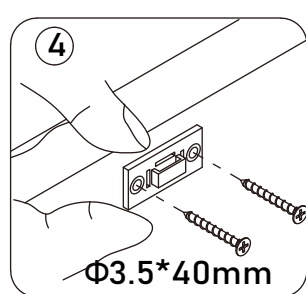
1. make mark on the wall.



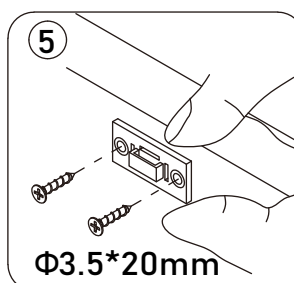
2. drill two $\Phi 8$ holes on the wall.



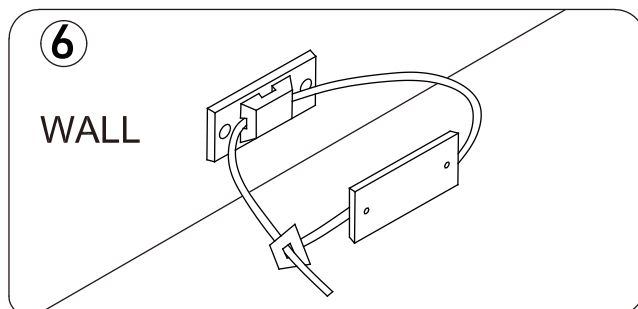
3. put two anchors the holes.



4. fix the device on the wall by the long screws.



5. fit behind the top plate by the short screws.

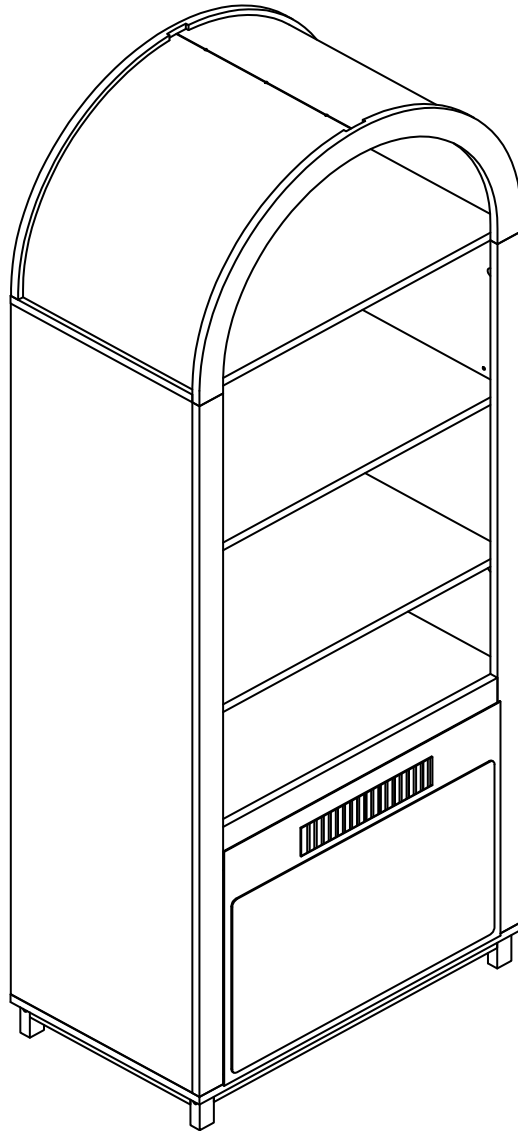


6. Push the bookcase close to the wall so that the two bases are close to each other, and then put on nylon tie to tighten it.



G x 2PCS

PRODUCT ASSEMBLY



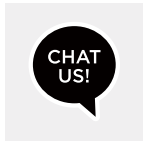
Final Check

1. Ensure all screws are tightened.
2. Verify that all panels are securely fitted.
3. Clean any dust or debris from the assembly process.

Your Arched Cabinet is now successfully assembled and ready for use! We hope you enjoy your new Arched Cabinet! If you're happy with the result, we'd love to see how it looks in your space. Share a photo of your setup and inspire others with your creativity. Your experience help us continue improving our products!

HELP CENTER

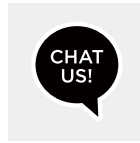
Question about your product? We're here to help. Visit us at:



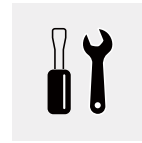
Chat Support



Product inquiry



Orders FAQ



Product Assembly



Returns & Refunds

WE STAND BEHIND THE QUALITY OF OUR FURNITURE

1. If you have any issues with your item, please let us know! We will always do our best to come up with a solution that you will be happy with.
2. Please get in touch with our customer service team before returning the product.
3. And please do not throw away the original box(es) if you have not finished assembling and confirmed no quality issues.

Length of return period:

You can return items within 30 days of purchase

In the meanwhile, everything you purchased from us comes with a one-year warranty.

Who is responsible for the return shipping fee:

We will cover the return shipping fees if:

1. Your item has a manufacturing defect in materials or workmanship. For example, torn wicker or misaligned screw holes. We will send you a prepaid shipping label after you send us photos or videos of the defect.
2. Your item has been damaged in transit. For example, glass is broken or product is damaged. We will send you a prepaid shipping label after you send us photos of the damage.
3. You receive the wrong box(es) due to a warehouse error. We will send you a prepaid shipping label after you send us photos of the wrong SKU numbers on the outer box(es).
4. One or more boxes are lost in transit. We will send you a prepaid shipping label if you no longer want the item.

* However, we still hope to work with you for a better solution instead of a return.

Please don't hesitate to contact our customer service team.

Customer will cover the return shipping fees if:

- 1.You don't like the product(s) after receiving the box(es).
- 2.You no longer need the product(s) but have received the box(es).
- 3.You buy the product(s) by mistake but have received the box(es).
- 4.Order/shipment cancellation failed, and you have received the box(es).

Return Request

In order to get a full refund as described in this return policy, all items must be:

- 1.In a brand new/unused condition. Please provide photos before and after packaging.
- 2.When returning, all accessories and parts must be firmly packed in all original packaging. If your return does not meet these requirements, you may not receive a full refund.

When will I be refunded?

The refund is issued once the goods have been returned to our warehouse.

What if the product is damaged/defective outside of the valid return period?

We want you to be a happy customer. Please reach out to us via email, and we will work on a solution to ensure your satisfaction.

HELP CENTER

Confuzzled? Email Our Customer Service At:

 YouTube :BREEZEHEAT

 CONTACT INFO: Wolfthontech1@gmail.com

Please feel free to **send us the text or email**. We will reply to you within 24 hours. Also please feel free to contact us if you have received the defective items.

Follow our YouTube Channel then you will be able to find our **assembling video** pinned video.

SAVE THESE INSTRUCTIONS