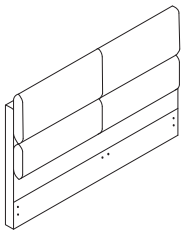
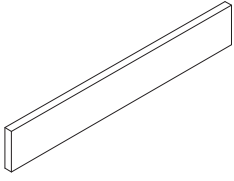
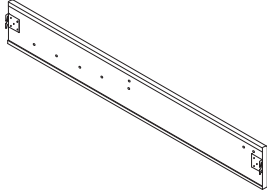
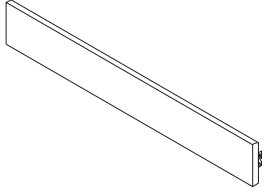
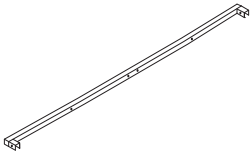
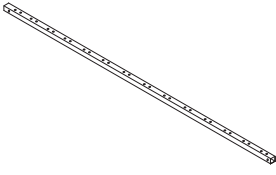
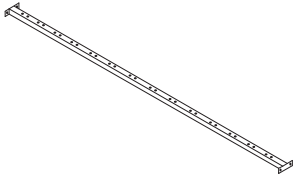
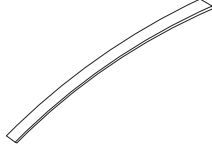
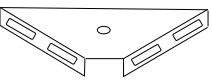
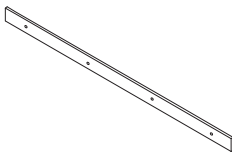
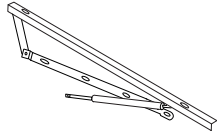
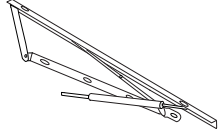
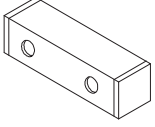
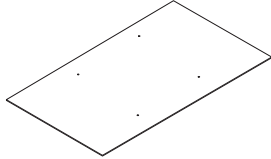
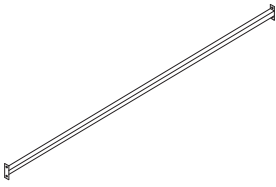
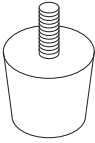
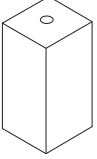

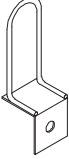

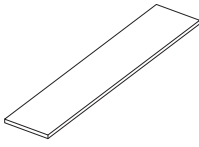
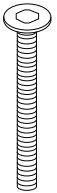
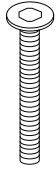
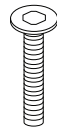
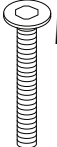
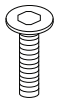
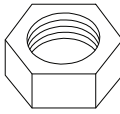
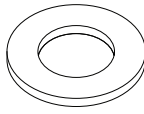
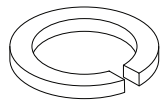

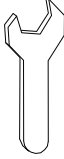
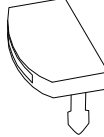
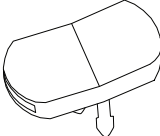
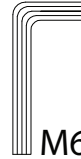
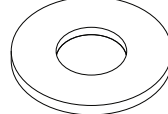
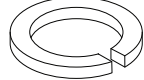
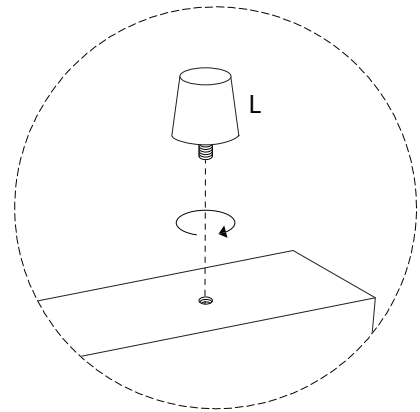
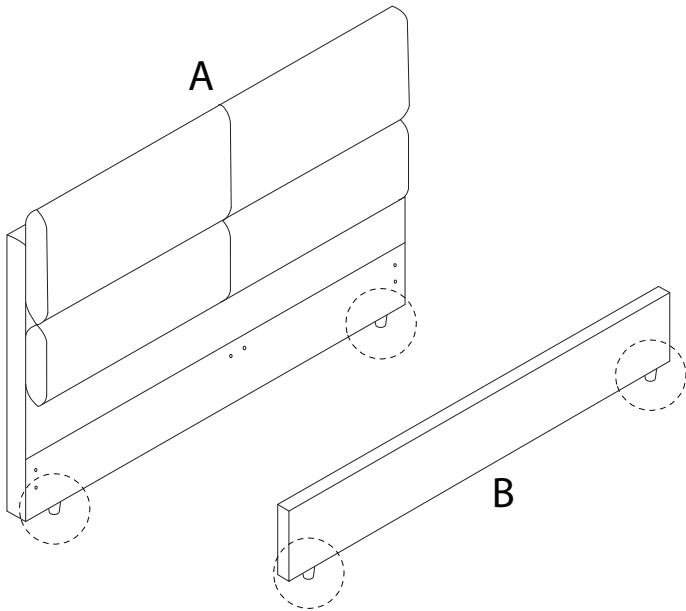
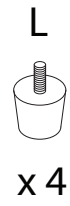
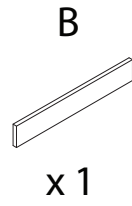
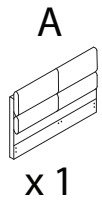


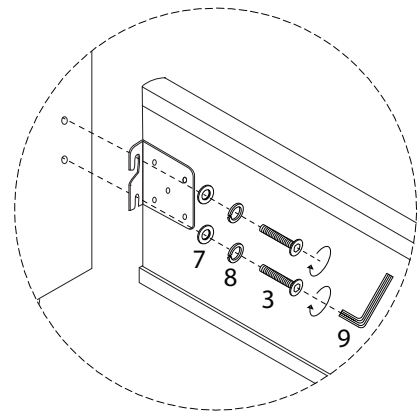
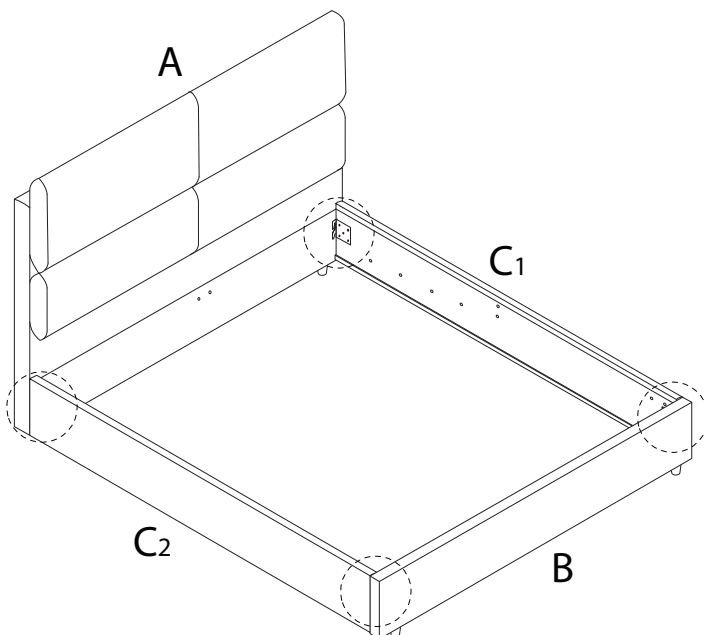
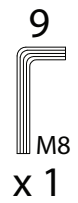
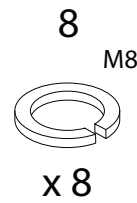
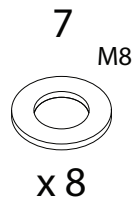
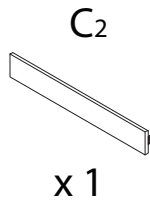
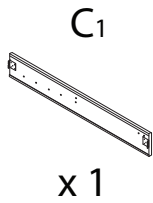
<p>A</p>  <p>x 1</p>	<p>B</p>  <p>x 1</p>	<p>C1</p>  <p>x 1</p>	<p>C2</p>  <p>x 1</p>
<p>D1</p>  <p>x 2</p>	<p>D2</p>  <p>x 2</p>	<p>D3</p>  <p>x 1</p>	<p>E</p>  <p>x 26</p>
<p>F</p>  <p>x 2</p>	<p>G</p>  <p>x 2</p>	<p>H1</p>  <p>x 1</p>	<p>H2</p>  <p>x 1</p>
<p>I</p>  <p>x 2</p>	<p>J</p>  <p>x 2</p>	<p>K</p>  <p>x 1</p>	<p>L</p>  <p>x 4</p>
<p>M</p>  <p>x 8</p>	<p>N</p>  <p>x 1</p>	<p>O</p>  <p>x 2</p>	<p>P</p>  <p>x 2</p>

<p>Q</p>  <p>x 3</p>	<p>1</p>  <p>M8 x 55</p> <p>x 4</p>	<p>2</p>  <p>M6 x 45</p> <p>x 14</p>	<p>3</p>  <p>M8 x 30</p> <p>x 16</p>
<p>4</p>  <p>M6 x 40</p> <p>x 8</p>	<p>5</p>  <p>M8 x 20</p> <p>x 12</p>	<p>6</p>  <p>x 14</p>	<p>7</p>  <p>M8</p> <p>x 34</p>
<p>8</p>  <p>M8</p> <p>x 26</p>	<p>9</p>  <p>M8</p> <p>x 1</p>	<p>10</p>  <p>x 1</p>	<p>11</p>  <p>x 24</p>
<p>12</p>  <p>x 12</p>	<p>13</p>  <p>M6</p> <p>x 1</p>	<p>14</p>  <p>M6</p> <p>x 20</p>	<p>15</p>  <p>M6</p> <p>x 20</p>

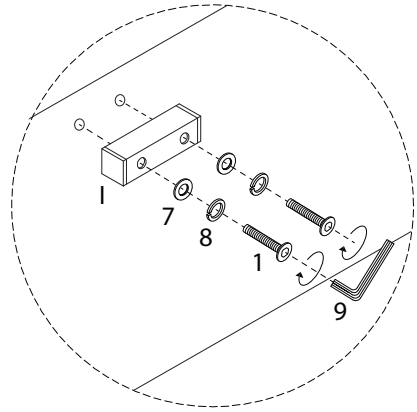
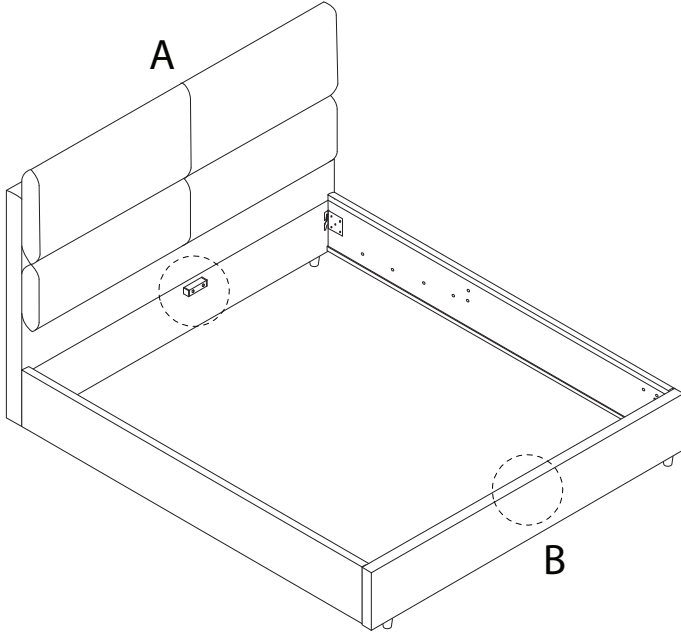
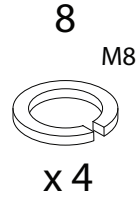
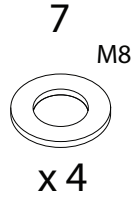
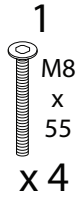
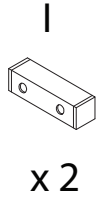
1



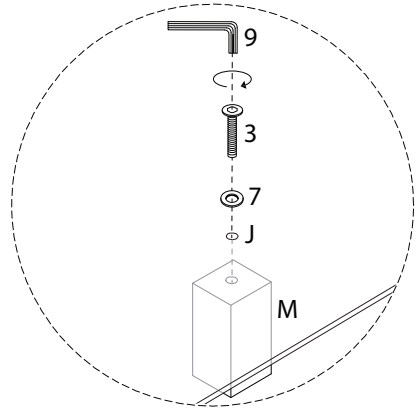
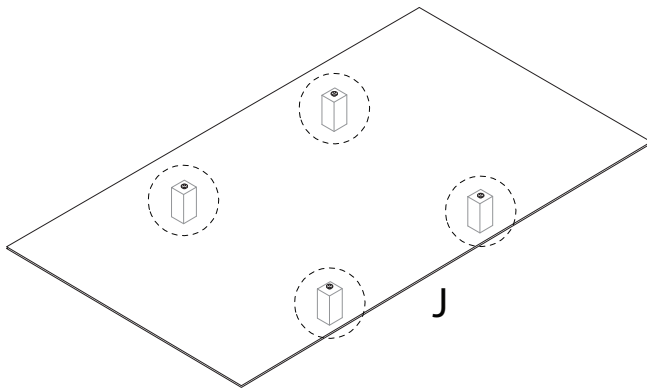
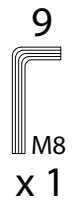
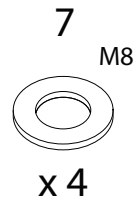
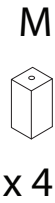
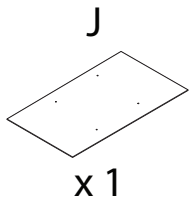
2



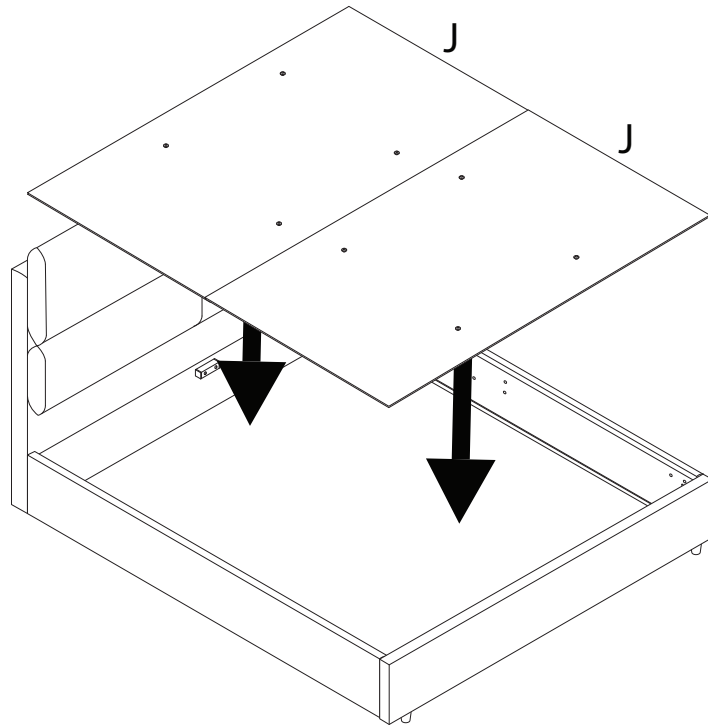
3



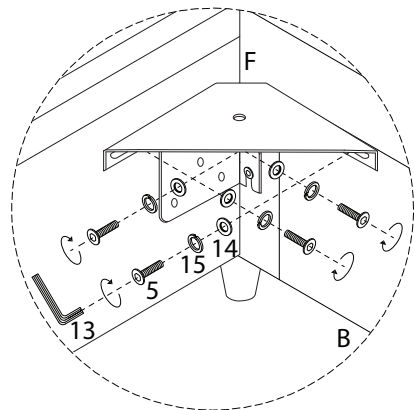
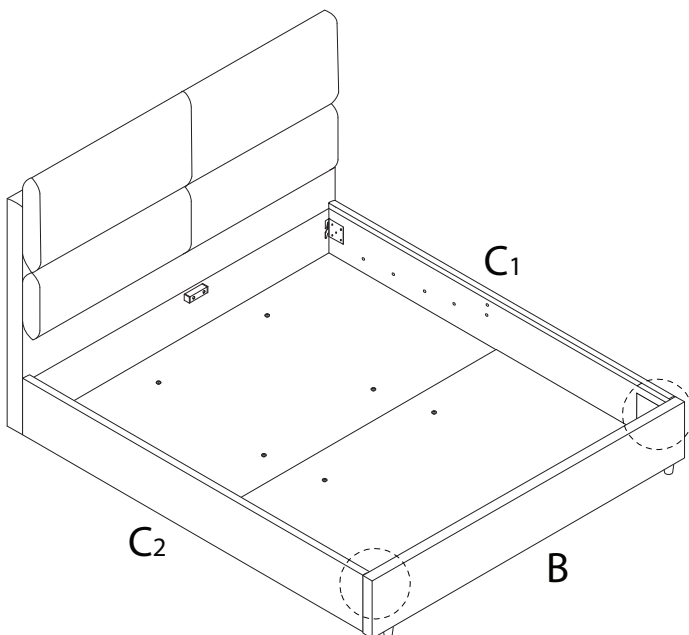
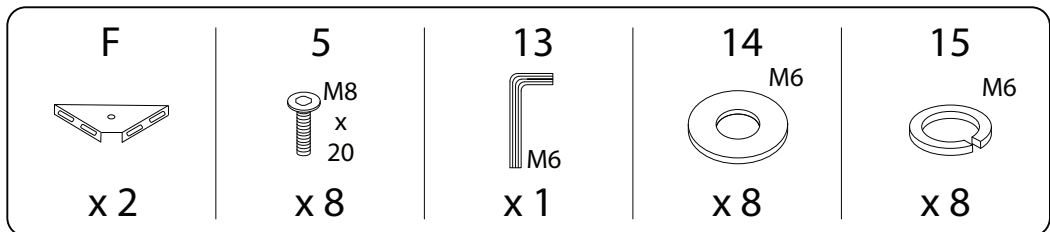
4 x 2







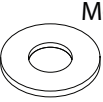
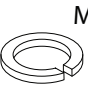
5

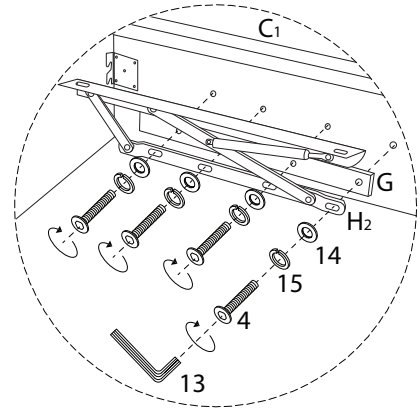
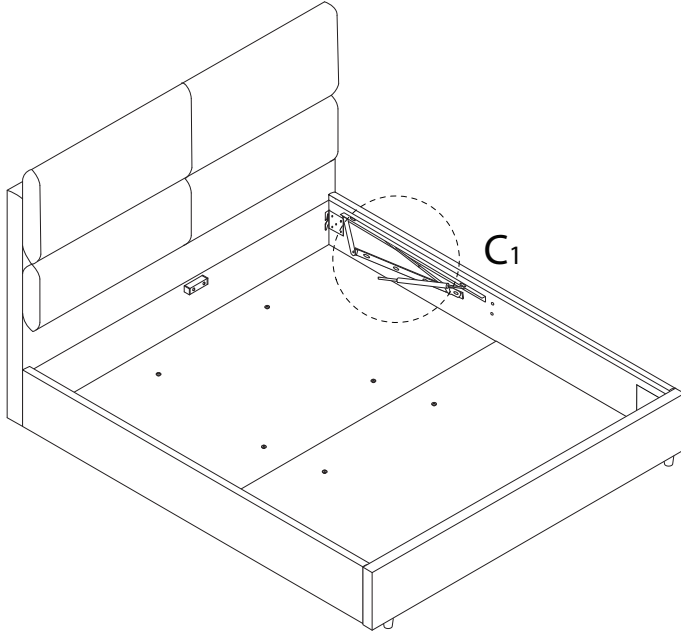


6



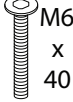

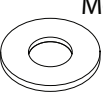
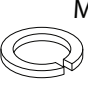


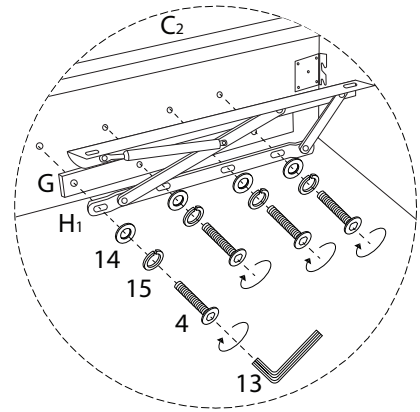
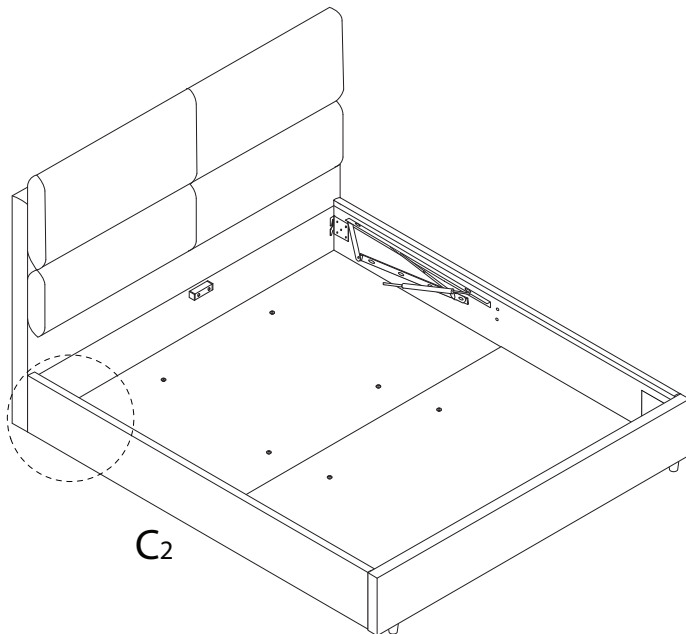
7

<b>H2</b>  x 1	<b>G</b>  x 1	<b>4</b>  M6 x 40 x 8	<b>13</b>  M6 x 1	<b>14</b>  M6 x 8	<b>15</b>  M6 x 8
---	--	--	--	---	---

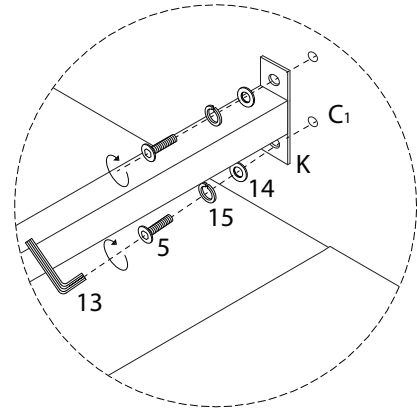
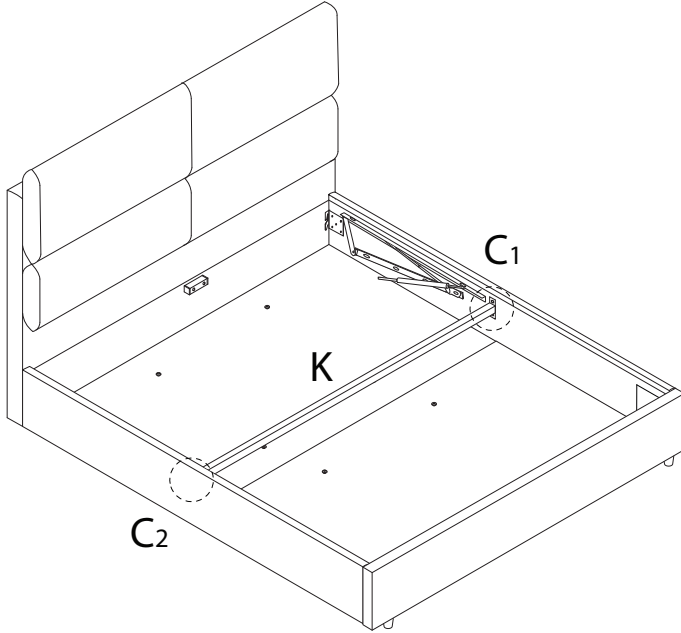
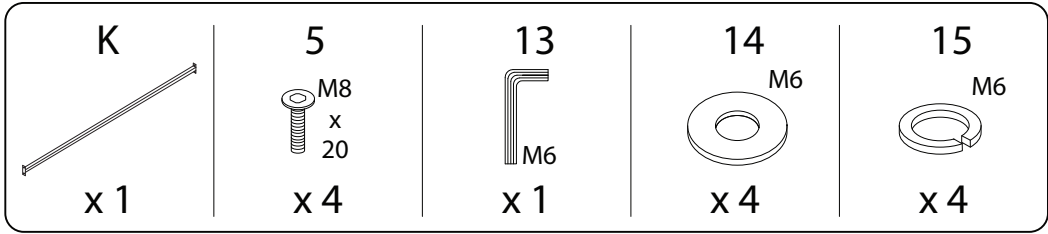


8

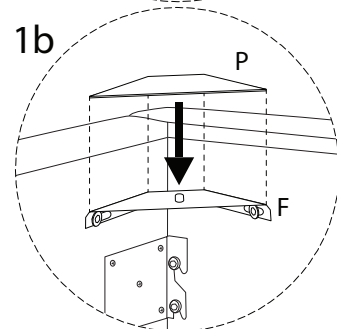
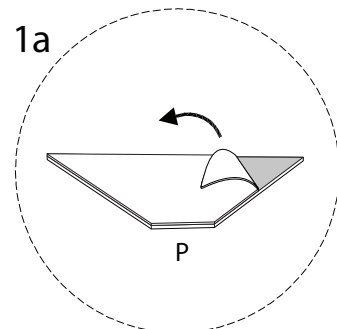
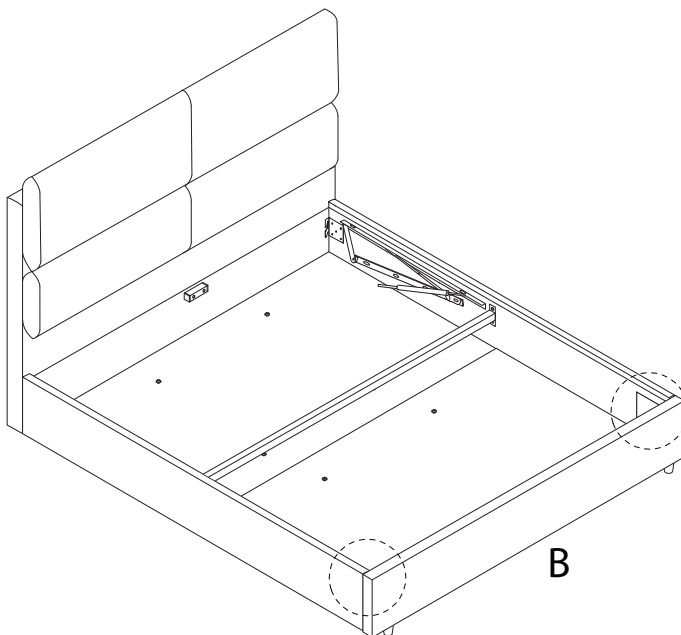
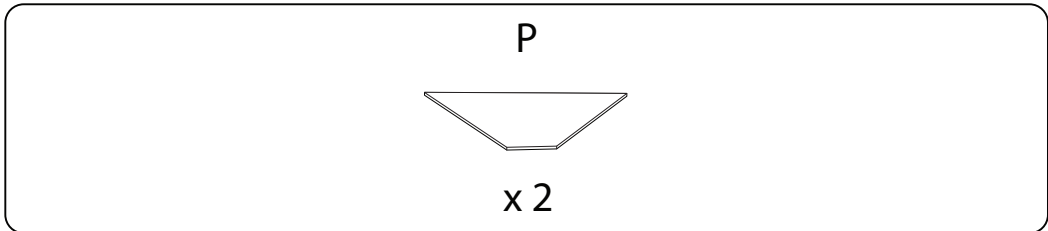
<b>H1</b>  x 1	<b>G</b>  x 1	<b>4</b>  M6 x 40 x 8	<b>13</b>  M6 x 8	<b>14</b>  M6 x 8	<b>15</b>  M6 x 1
---	--	--	--	---	---



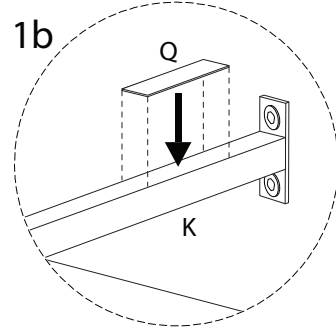
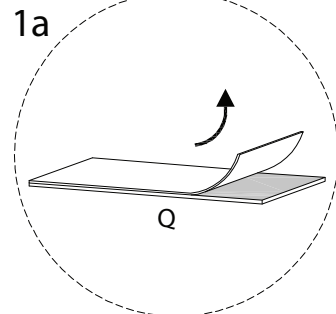
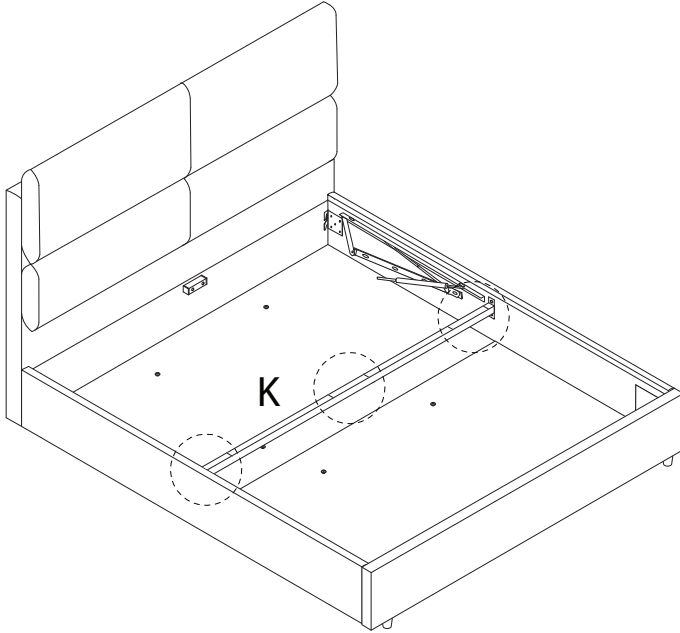
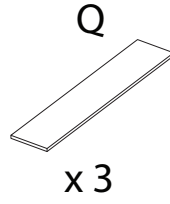
9



10

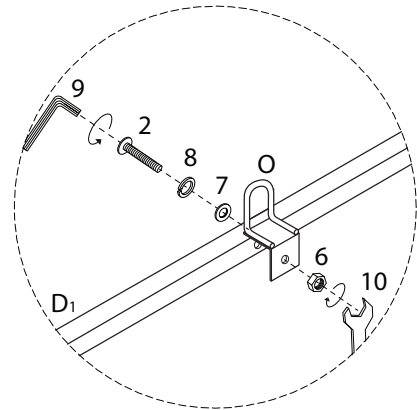
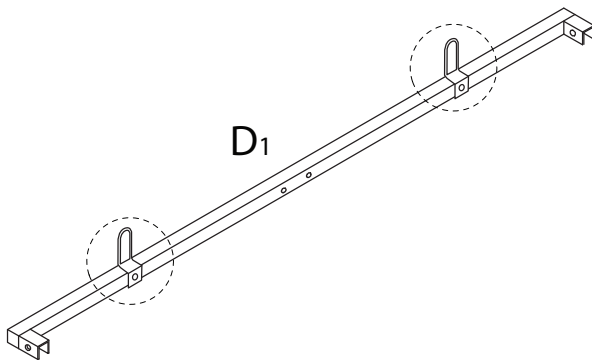


11

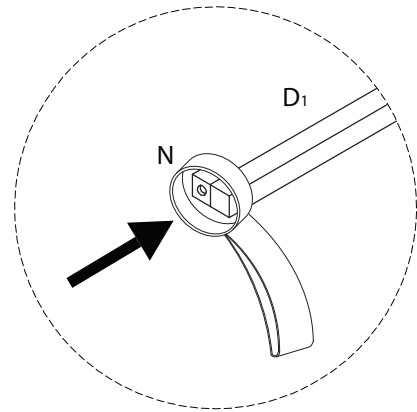
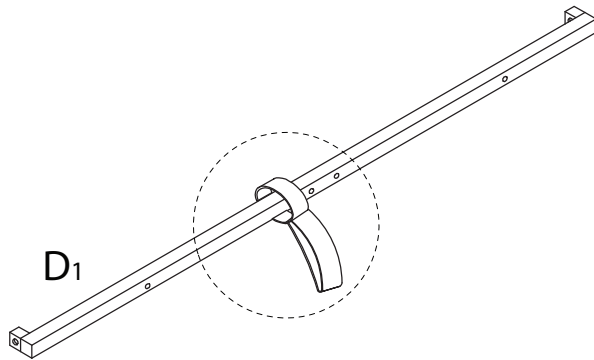
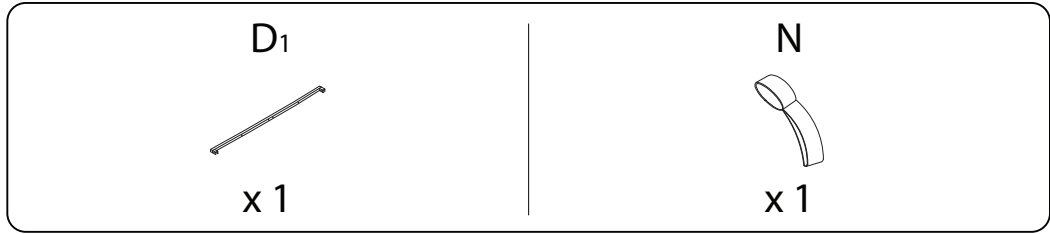


12

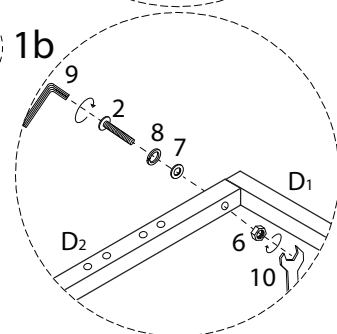
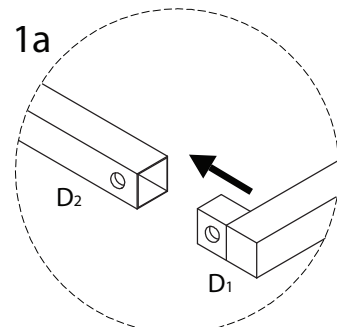
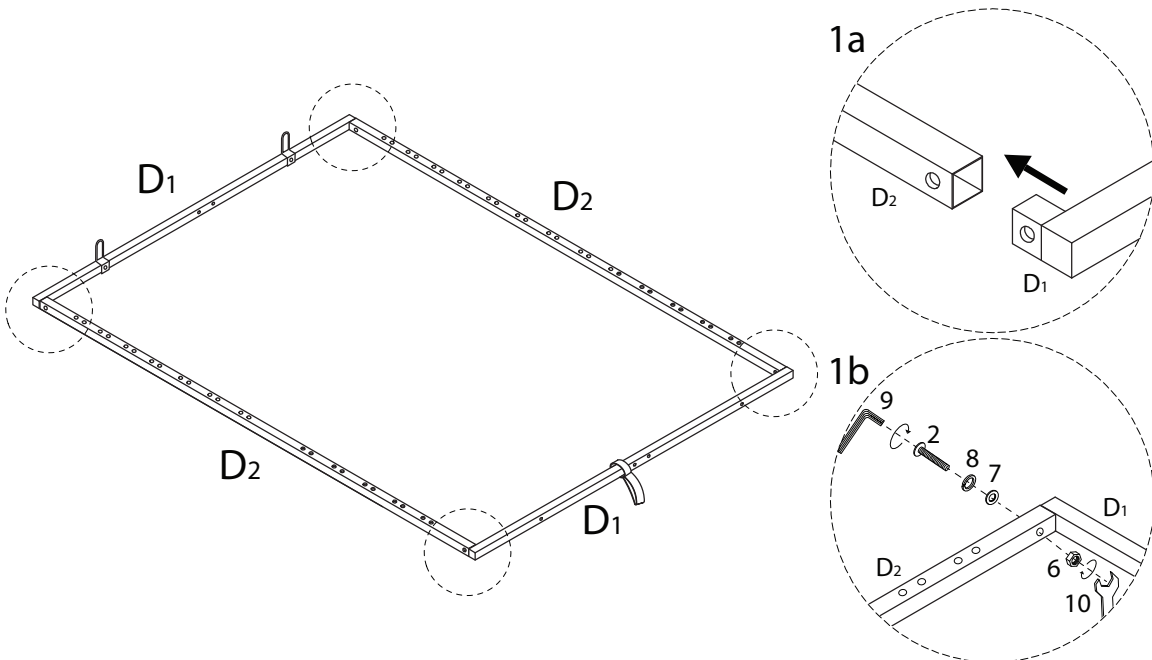
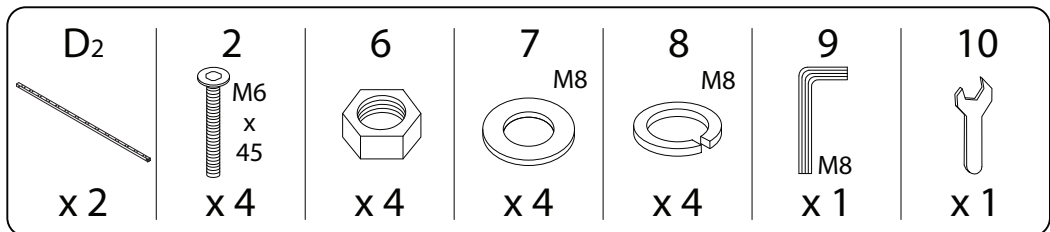
D <sub>1</sub>	O	2	6	7	8	9	10
x 1	x 2	M6 x 45 x 2	x 2	M8 x 2	M8 x 2	M8 x 1	x 1




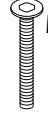
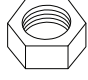
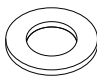
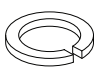


13

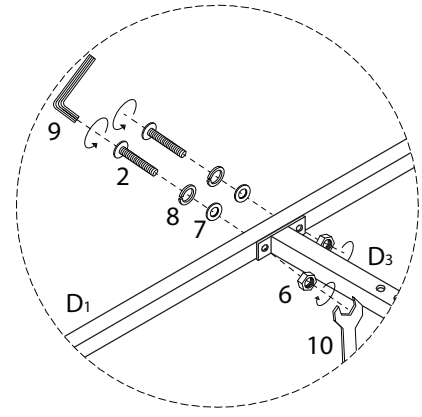
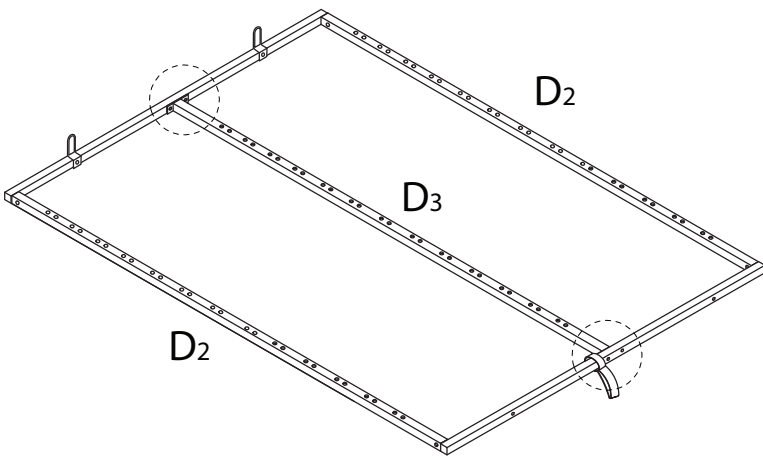


14


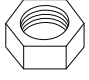
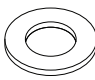
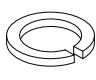




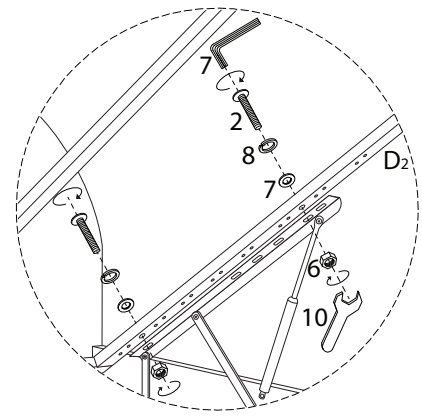
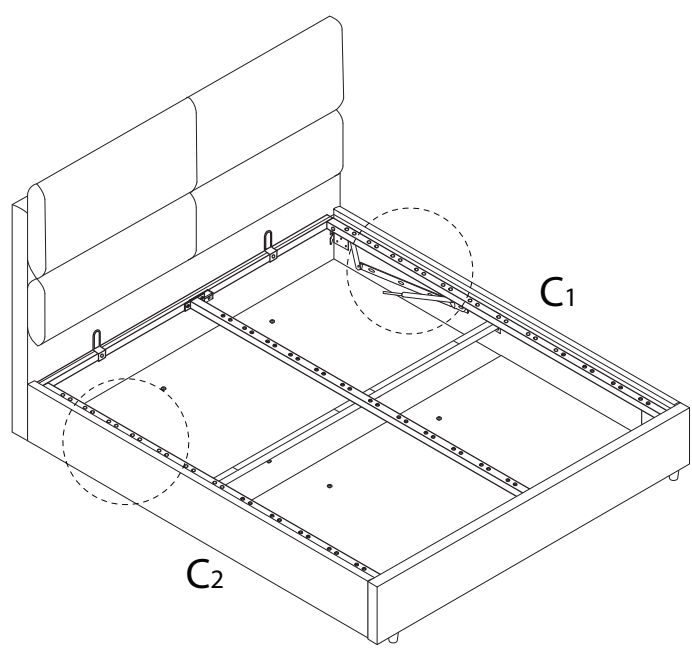
15

D3  x 1	2 M6 x 45  x 4	6  x 4	7 M8  x 4	8 M8  x 4	9 M8  x 1	10  x 1
--	---	---	---	--	---	--

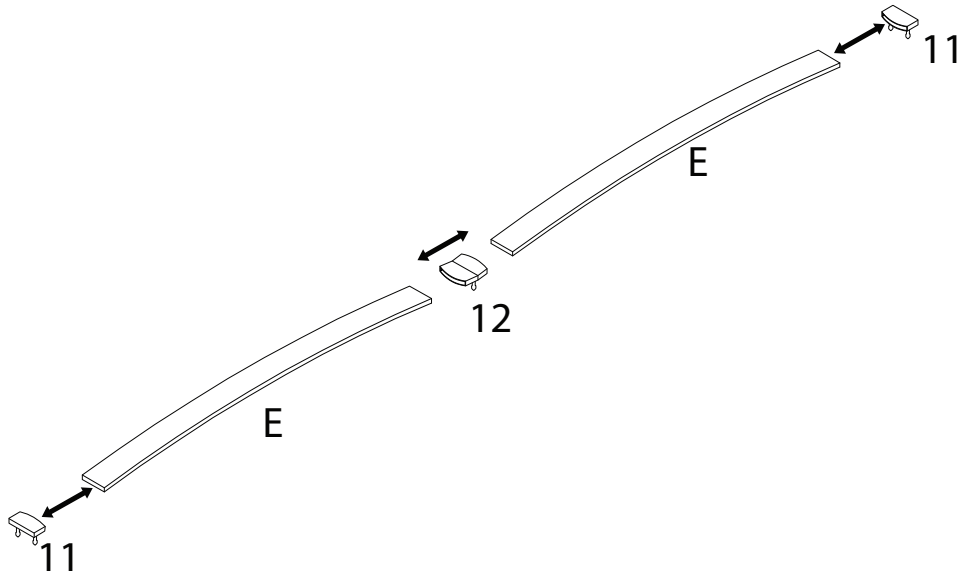
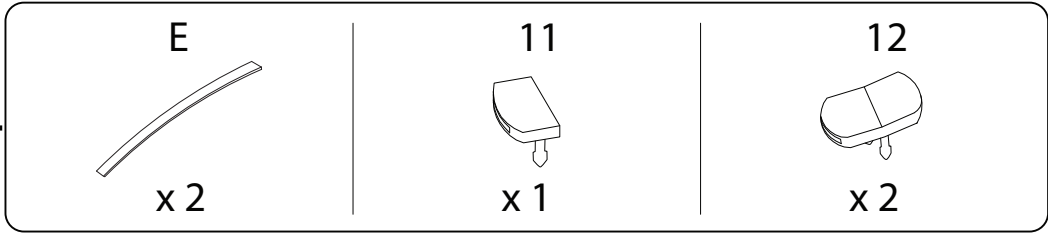


14

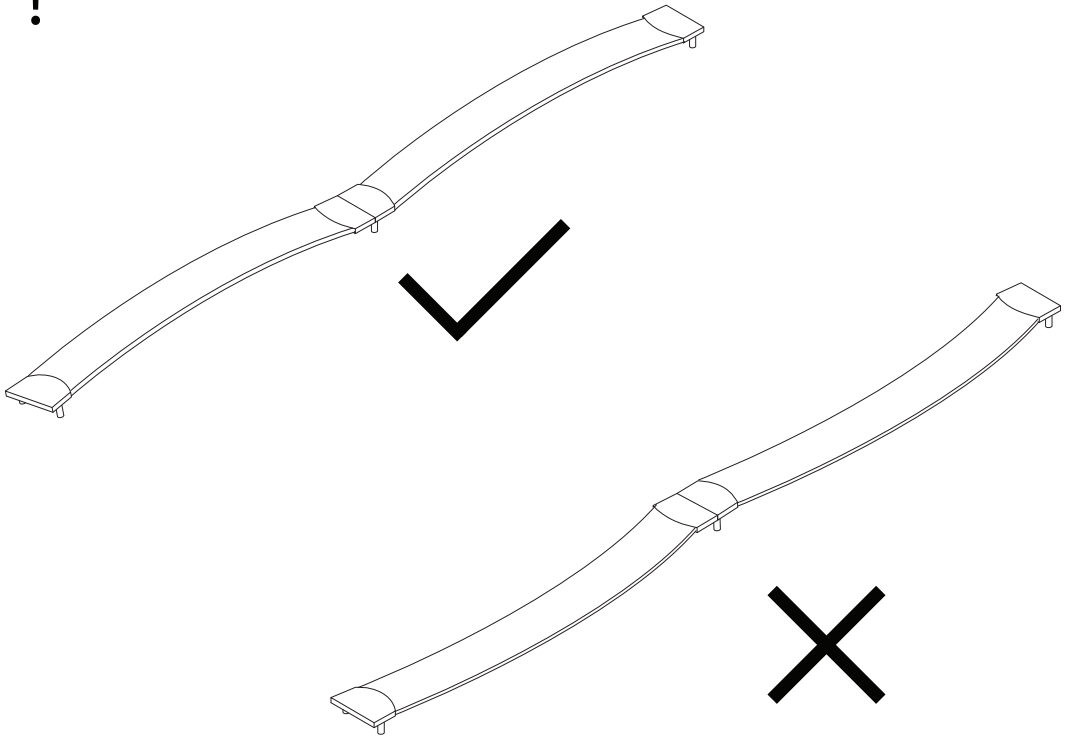
2 M6 x 45  x 4	6  x 4	7 M8  x 4	8 M8  x 4	9 M8  x 1	10  x 1
---	---	---	--	---	--



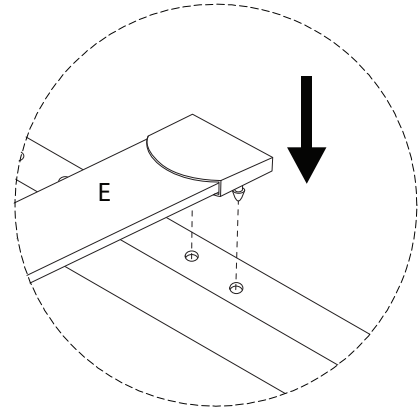
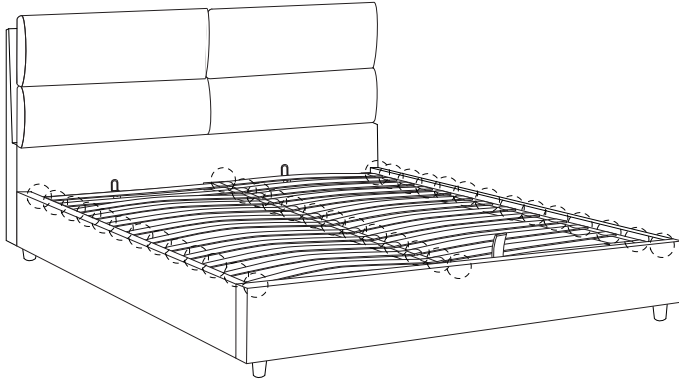
17 x 14



!



18



19

