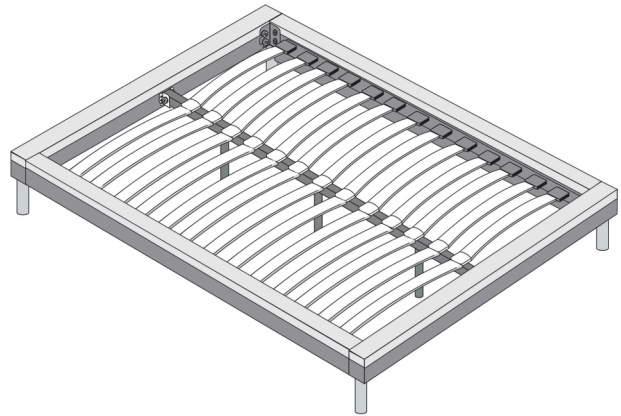
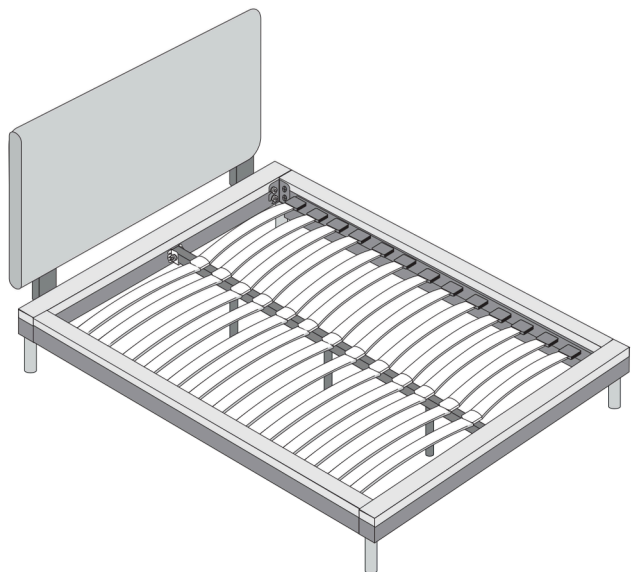


# FULL & QUEEN ASSEMBLY INSTRUCTIONS

BED FRAME ONLY



BED FRAME  
WITH HEADBOARD



## BEFORE YOU BEGIN

Save all packaging materials until product is fully assembled. Hardware and small pieces may not be seen and could be accidentally discarded with packaging materials.

Follow the instructions carefully as deviation from them may void your warranty and present a possible safety risk.

It is recommended that assembly is done on a soft surface like carpet to avoid damage.

## NEEDING SUPPORT?

Our customer services representatives are available to you. Each one is trained as an expert for all of our products from assembly to care. Should you find yourself in need of assistance, we are here to help.

## CARE INSTRUCTIONS

Spot clean only.

## LET US KNOW YOUR THOUGHTS

Customer reviews help us spread the word about our best products, we would be grateful if you took a few minutes to leave an honest review. Your experience means a lot to us, and your review will help others make a great choice when investing in our furniture.



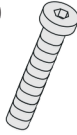
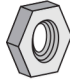


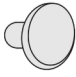
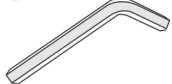
Leaving less than a five-star review? We appreciate your candor, and we'd love to hear from you directly to better understand why the product did not meet your full expectations. Your feedback is crucial to our continuing ability to produce the best possible product for our customers.

## ENJOY YOUR NEW FURNITURE!



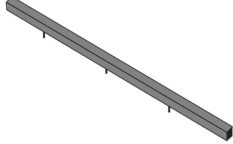
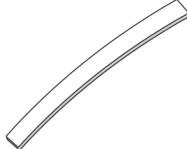
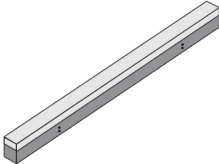
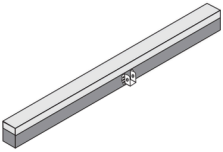
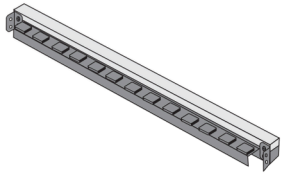
We take pride in hand crafting each product for our customers and strive to make your experience easy and enjoyable. From the entire eLuxury team, we hope you enjoy your new piece of furniture!

# PARTS LIST

## INCLUDED IN HARDWARE BAG FOR FRAME\*

 <p><b>A</b> x 10</p> <p>WASHER</p>	 <p><b>B</b> x 8</p> <p>SHORT BOLT</p>	 <p><b>C</b> x 2</p> <p>LONG BOLT</p>	 <p><b>D</b> x 2</p> <p>SCREW NUT</p>	 <p><b>E</b> x 13</p> <p>CENTER COVER</p>	 <p><b>F</b> x 4</p> <p>FOOT PAD</p>
 <p><b>G</b> x 4</p> <p>PLUG</p>	 <p><b>H</b> x 1</p> <p>ALLEN WRENCH</p>	x 26			

## INCLUDED IN CARTON FOR FRAME\*

 <p><b>I</b> x 4</p> <p>FRAME LEG</p>	 <p><b>J</b> x 3</p> <p>CENTER LEG</p>	 <p><b>K</b> x 1</p> <p>CENTER POLE</p>	 <p><b>L</b></p> <p>SUPPORT SLAT</p>
 <p><b>M</b> x 1</p> <p>HEAD RAIL</p>	 <p><b>N</b> x 1</p> <p>FOOT RAIL</p>	 <p><b>O</b> x 2</p> <p>SIDE RAIL</p>	

\*If you purchased the bed with headboard, all hardware and parts for headboard can be found in the second carton.

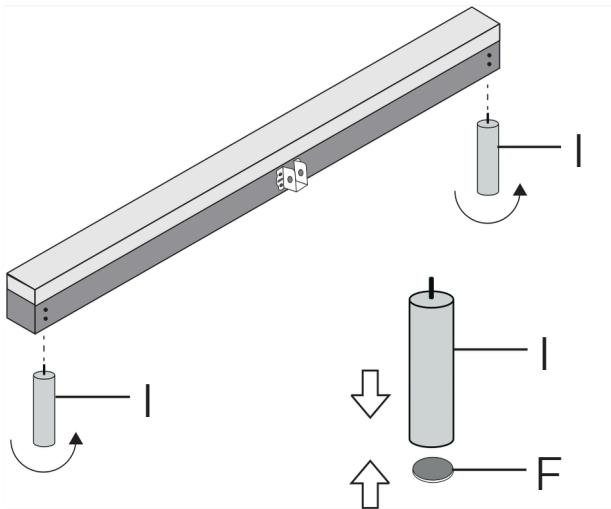
SAVE ALL PACKAGING MATERIALS UNTIL PRODUCT IS FULLY ASSEMBLED. HARDWARE AND SMALL PIECES MAY NOT BE SEEN AND COULD BE ACCIDENTALLY DISCARDED WITH PACKAGING MATERIALS.

# ASSEMBLY INSTRUCTIONS

## STEP 1

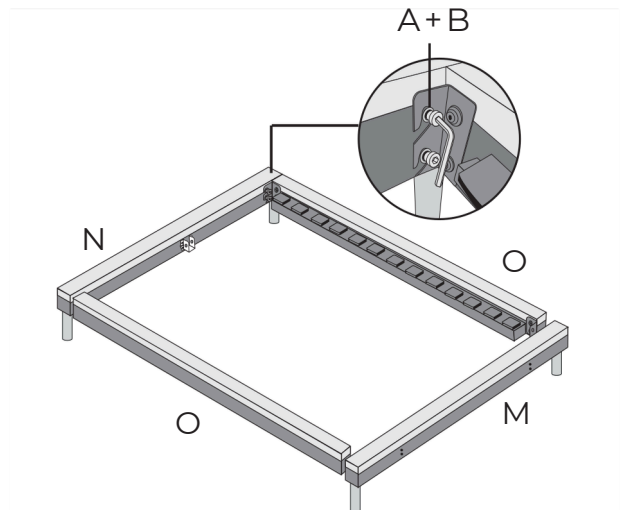
Take out frame legs (I) and foot pads\* (F) from the accessories box inside the carton. Stick the foot pads (F) to the bottom of the frame legs (I), and attach the frame legs (I) to the bottom of the frame rails (M & N).

\*Foot pads are meant for hard surface floors; not necessary on rugs or carpet.



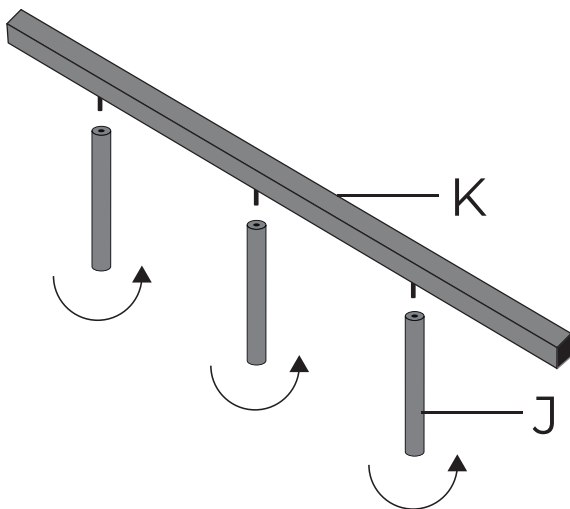
## STEP 2

Install side rails (O) to the head and foot rails (M & N) using the washers (A) and short bolts (B).



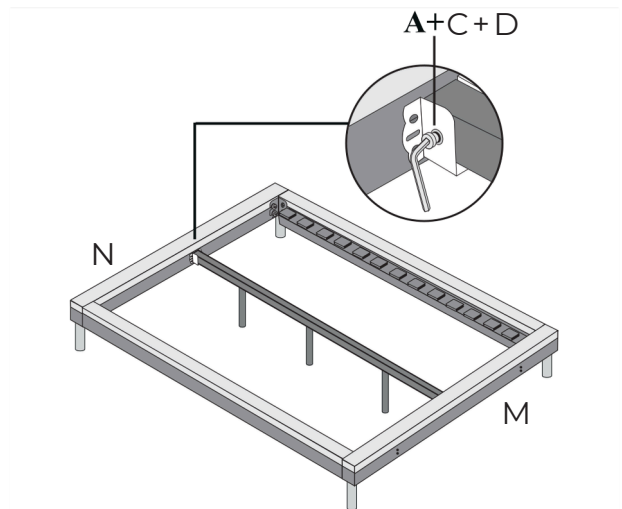
## STEP 3

Install center support legs (J) to center pole (K).



## STEP 4

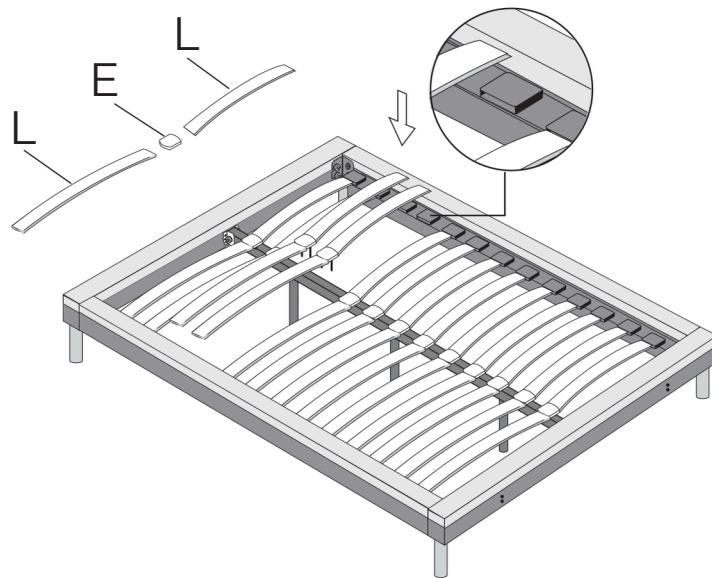
Install center pole (K) to head and foot rails (M & N) using washers (A), large bolts (C), and screw nuts (D).



# ASSEMBLY INSTRUCTIONS

## STEP 5

Insert support slats (L), with the curved side facing up, into the side covers (factory pre-installed) and center covers (E). Then plug center covers (E) into center pole (K). Please insert plastic covers correctly and with care, as they cannot be easily removed once installed. Prior to placing your mattress on top of support slats, we recommend you verify the slats are installed properly into center pole and center support legs are perpendicular to the floor.





## STEP 6

If you purchased the bed only, install the plugs (G) to the head rail (M) to cover the holes that would be used for the headboard.


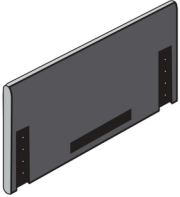
IF YOU PURCHASED THE BED WITH HEADBOARD,  
ASSEMBLY INSTRUCTIONS CONTINUE ON THE NEXT PAGE.

# PARTS LIST

## INCLUDED IN HARDWARE BAG FOR HEADBOARD

<p><b>A</b> x 8</p> 	<p><b>B</b> x 8</p> 
<p>WASHER</p>	<p>SHORT BOLT</p>

## INCLUDED IN CARTON FOR HEADBOARD

<p><b>P</b> x 2</p>  <p>HEADBOARD LEG</p>	<p><b>Q</b> x 1</p>  <p>HEADBOARD</p>
----------------------------------------------------------------------------------------------------------------------------	------------------------------------------------------------------------------------------------------------------------

SAVE ALL PACKAGING MATERIALS UNTIL PRODUCT IS FULLY ASSEMBLED. HARDWARE AND SMALL PIECES MAY NOT BE SEEN AND COULD BE ACCIDENTALLY DISCARDED WITH PACKAGING MATERIALS.

## ASSEMBLY INSTRUCTIONS

### STEP 7

Headboard (Q) height is adjustable. Install the headboard legs (P) on the two lowest holes of the head rail (M) using the washers (A) and short bolts (B). Adjust the headboard (Q) height to your desired position and fix the headboard (Q) to the headboard legs (P) with washers (A) and short bolts (B).

