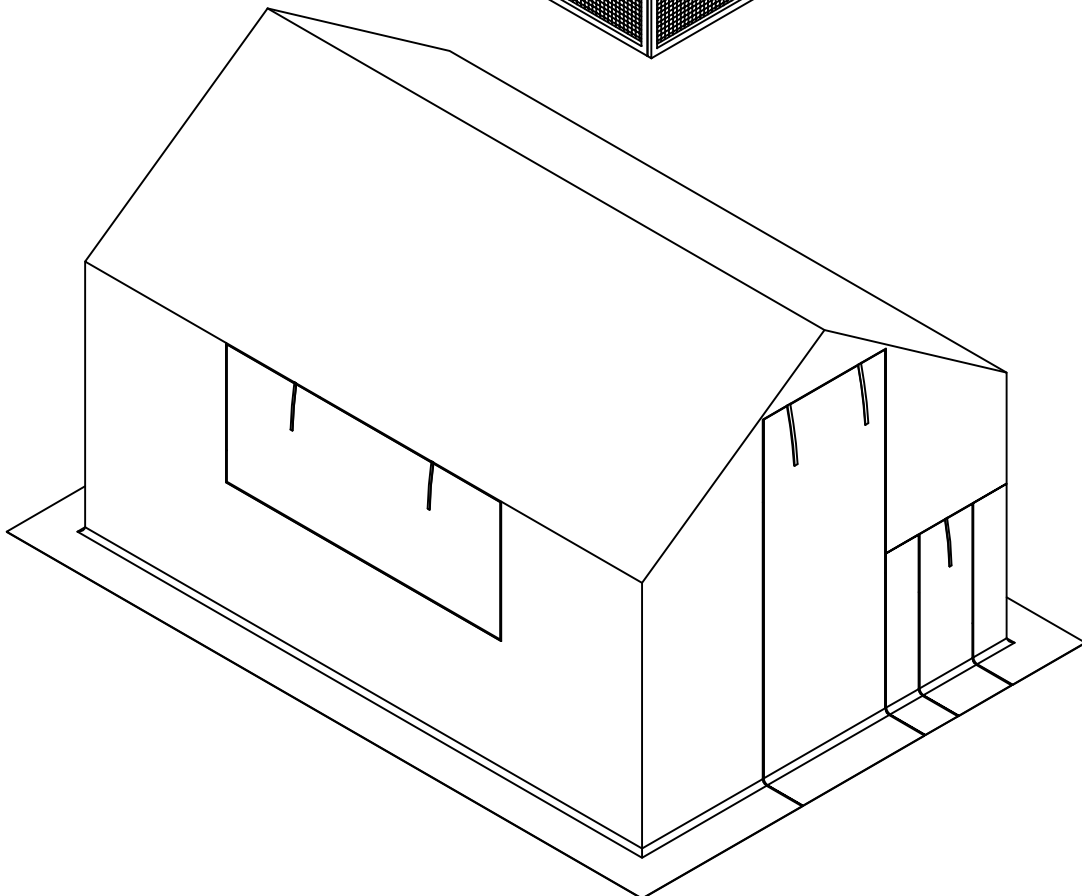
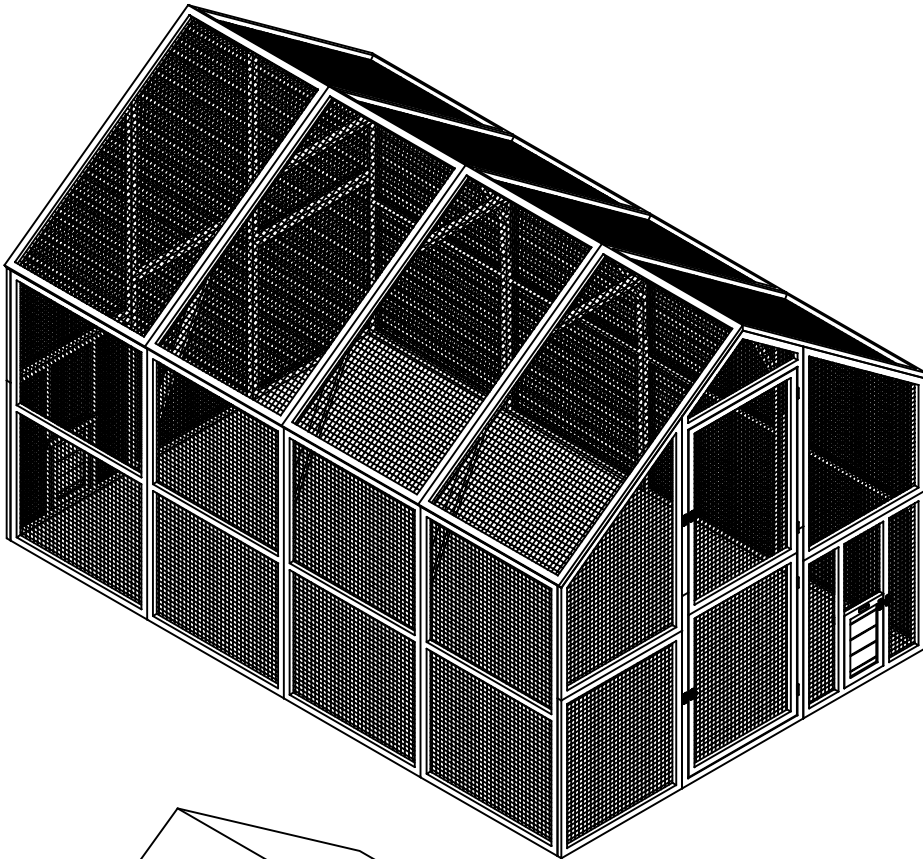


Chicken Coop

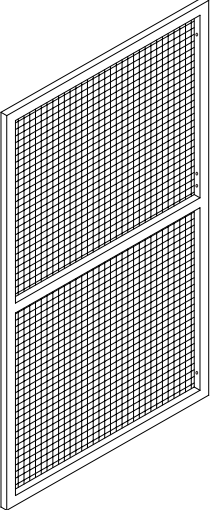
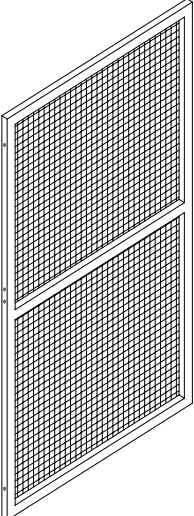
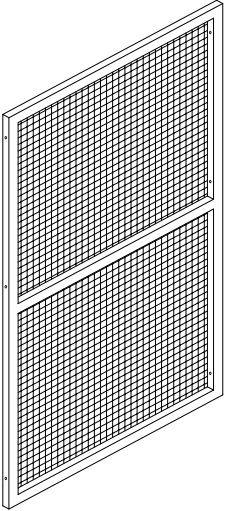
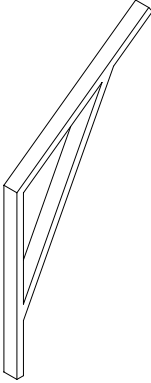
GH 302



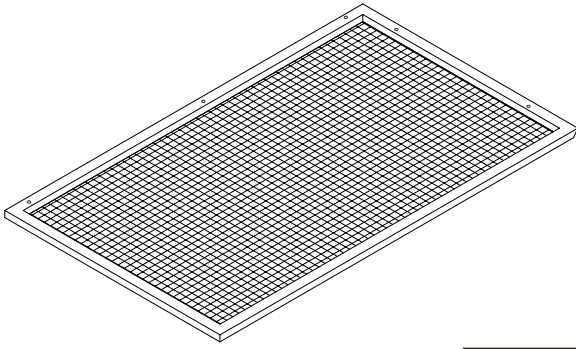
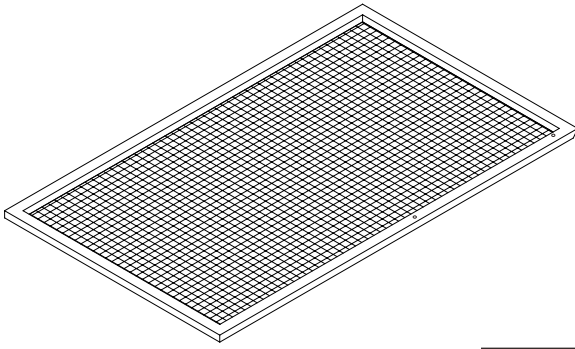
USER MANUAL

COMPONENTS

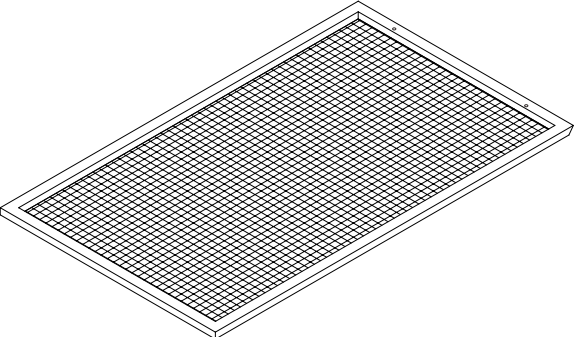
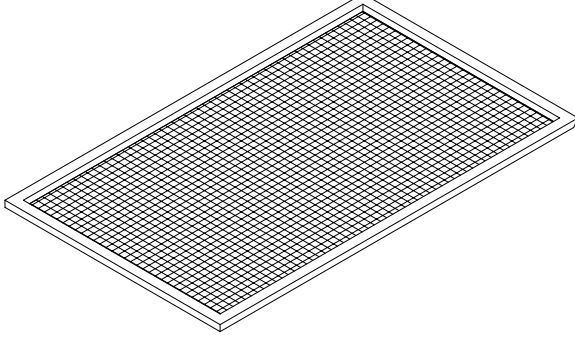
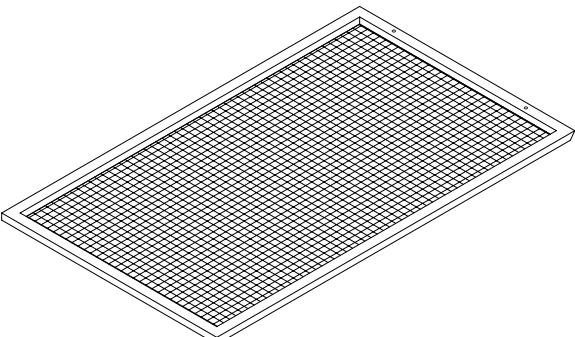
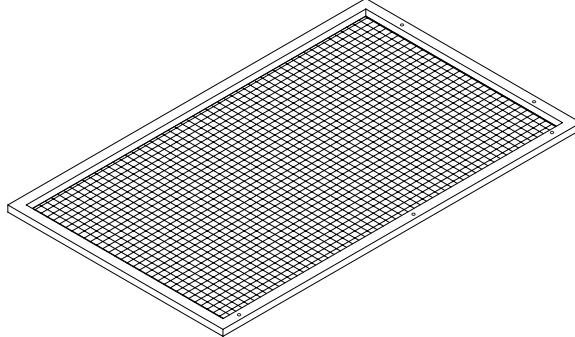
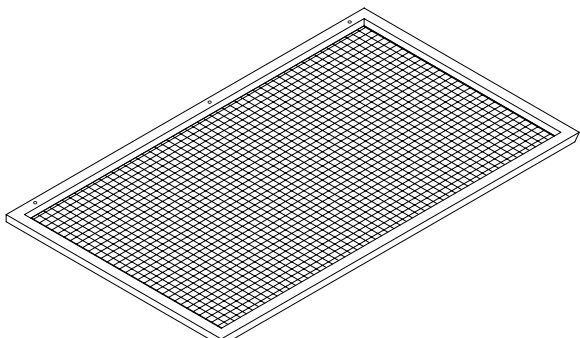
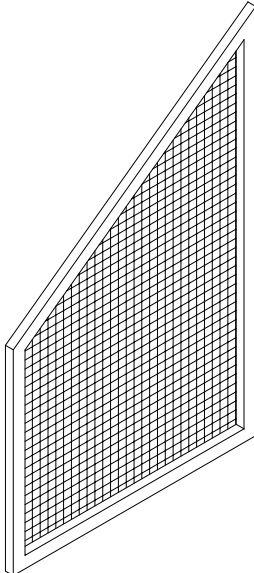
Parts List (Box A)

<p>① 19</p>  <p>2PCS</p>	<p>① 20</p>  <p>2PCS</p>
<p>① 21</p>  <p>4PCS</p>	<p>① 23</p>  <p>6PCS</p>

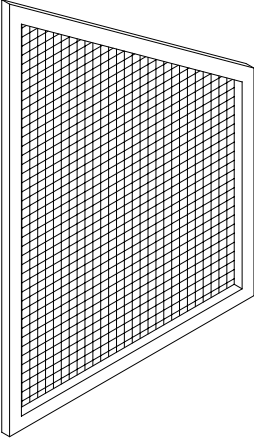
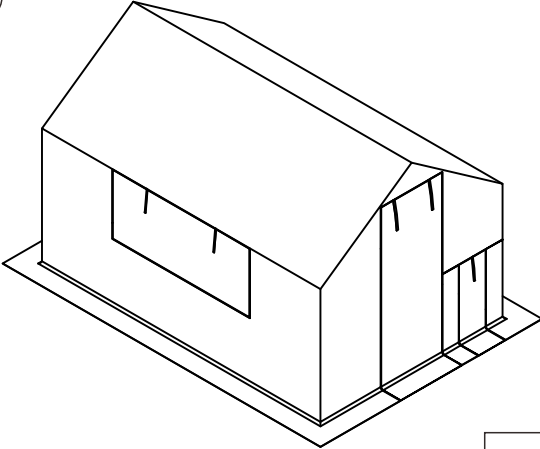
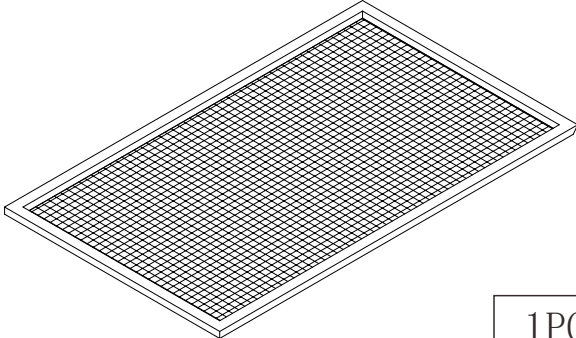
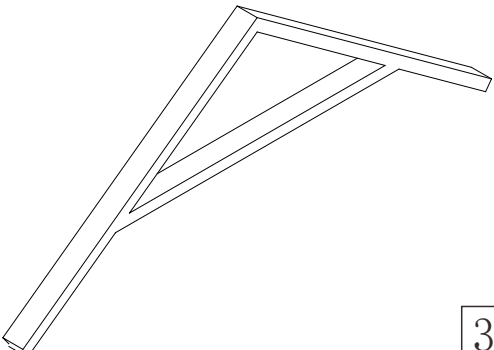
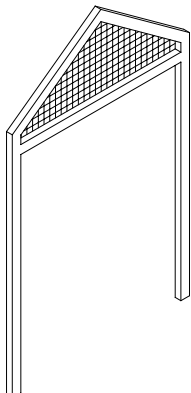
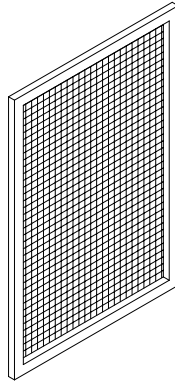
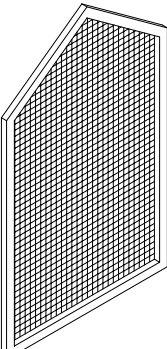
Parts List (Box B)

<p>① 1</p>  <p>1PC</p>	<p>① 2</p>  <p>1PC</p>
---	--

COMPONENTS

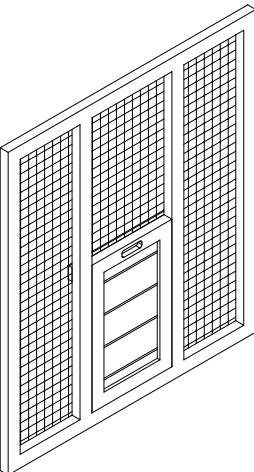
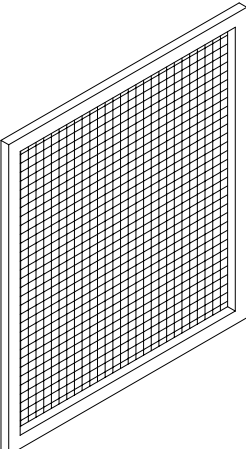
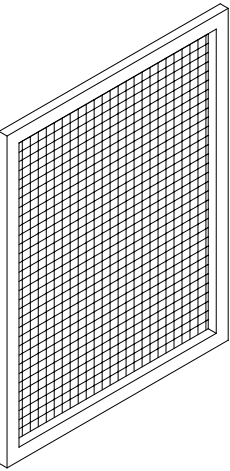
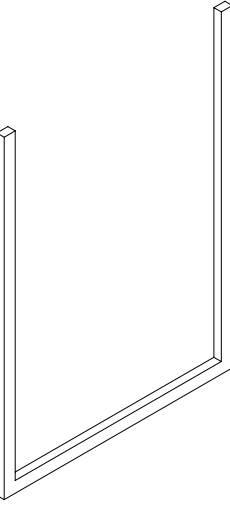
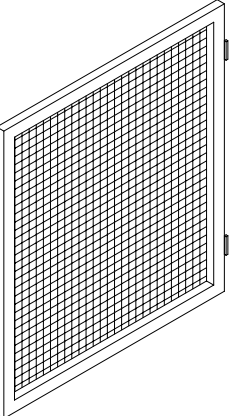
<p>③</p>  <p>1PC</p>	<p>④</p>  <p>1PC</p>
<p>⑤</p>  <p>1PC</p>	<p>⑥</p>  <p>1PC</p>
<p>⑦</p>  <p>1PC</p>	<p>⑧</p>  <p>2PC</p>

COMPONENTS

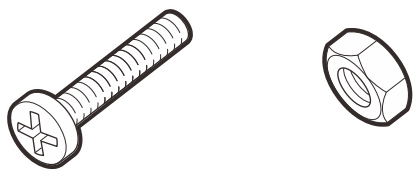
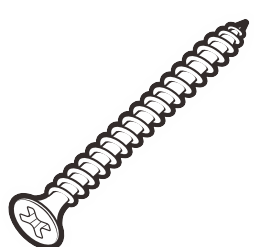

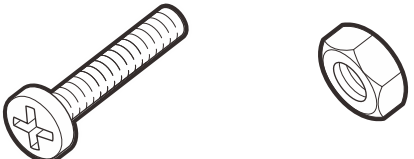
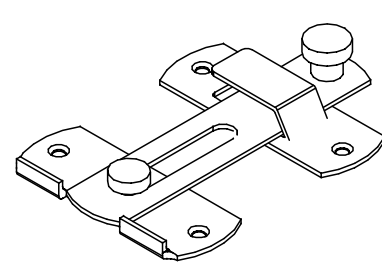
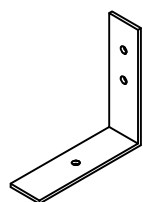
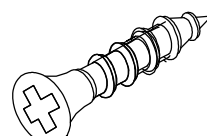
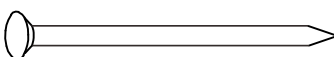
<p>9</p>  <p>2PCS</p>	<p>11</p>  <p>1PC</p>
<p>22</p>  <p>1PC</p>	<p>24</p>  <p>3PCS</p>
<p>15</p>  <p>1PC</p>	<p>17</p>  <p>1PC</p>
<p>13</p>  <p>1PC</p>	

COMPONENTS

Parts List (Box C)

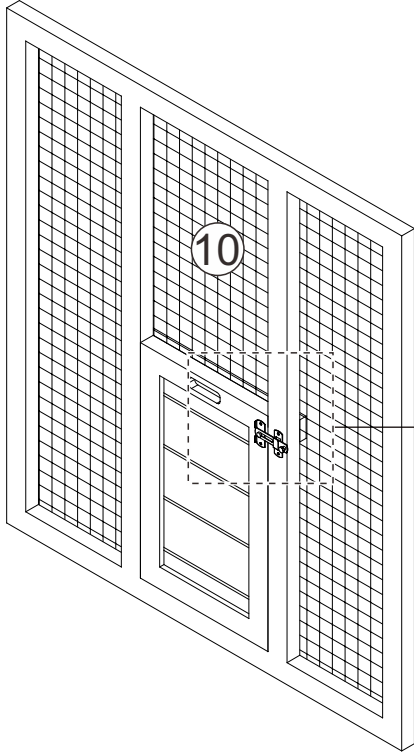
<p>10</p>  <p>2PC</p>	<p>12</p>  <p>2PC</p>
<p>14</p>  <p>1PC</p>	<p>16</p>  <p>1PC</p>
<p>18</p>  <p>1PC</p>	

COMPONENTS

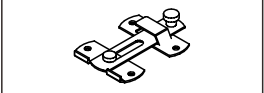
<p style="font-size: 2em; margin-bottom: 20px;">A</p> <div style="text-align: center; margin-bottom: 20px;">  </div> <div style="display: flex; justify-content: space-between; align-items: center;"> M5. 0x65mm <div style="background-color: #cccccc; padding: 2px 5px;">+1(spare)</div> <div style="border: 1px solid black; padding: 2px 10px;">50PCS</div> </div>	<p style="font-size: 2em; margin-bottom: 20px;">B</p> <div style="text-align: center; margin-bottom: 20px;">  </div> <div style="display: flex; justify-content: space-between; align-items: center;"> M3. 5x35mm <div style="background-color: #cccccc; padding: 2px 5px;">+2(spare)</div> <div style="border: 1px solid black; padding: 2px 10px;">92PCS</div> </div>
<p style="font-size: 2em; margin-bottom: 20px;">C</p> <div style="text-align: center; margin-bottom: 20px;">  </div> <div style="display: flex; justify-content: space-between; align-items: center;"> M3. 0x10mm <div style="background-color: #cccccc; padding: 2px 5px;">+2(spare)</div> <div style="border: 1px solid black; padding: 2px 10px;">24PCS</div> </div>	<p style="font-size: 2em; margin-bottom: 20px;">D</p> <div style="text-align: center; margin-bottom: 20px;">  </div> <div style="display: flex; justify-content: space-between; align-items: center;"> M5. 0x55mm <div style="background-color: #cccccc; padding: 2px 5px;">+1(spare)</div> <div style="border: 1px solid black; padding: 2px 10px;">16PCS</div> </div>
<p style="font-size: 2em; margin-bottom: 20px;">E</p> <div style="text-align: center; margin-bottom: 20px;">  </div> <div style="border: 1px solid black; padding: 5px; text-align: center; width: fit-content; margin-left: auto; margin-right: auto;">4PCS</div>	<p style="font-size: 2em; margin-bottom: 20px;">F</p> <div style="text-align: center; margin-bottom: 20px;">  </div> <div style="border: 1px solid black; padding: 5px; text-align: center; width: fit-content; margin-left: auto; margin-right: auto;">6PCS</div>
<p style="font-size: 2em; margin-bottom: 20px;">G</p> <div style="text-align: center; margin-bottom: 20px;">  </div> <div style="display: flex; justify-content: space-between; align-items: center;"> M3. 5x20mm <div style="border: 1px solid black; padding: 2px 10px;">12PCS</div> </div>	<p style="font-size: 2em; margin-bottom: 20px;">H</p> <div style="text-align: center; margin-bottom: 20px;">  </div> <div style="display: flex; justify-content: space-between; align-items: center;"> <div style="border: 1px solid black; padding: 2px 10px;">6PCS</div> </div>

Assembly Steps

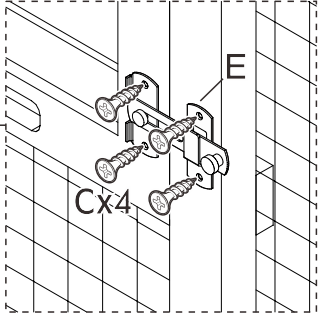
1



C x 8pcs

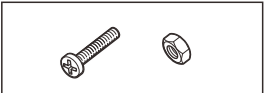
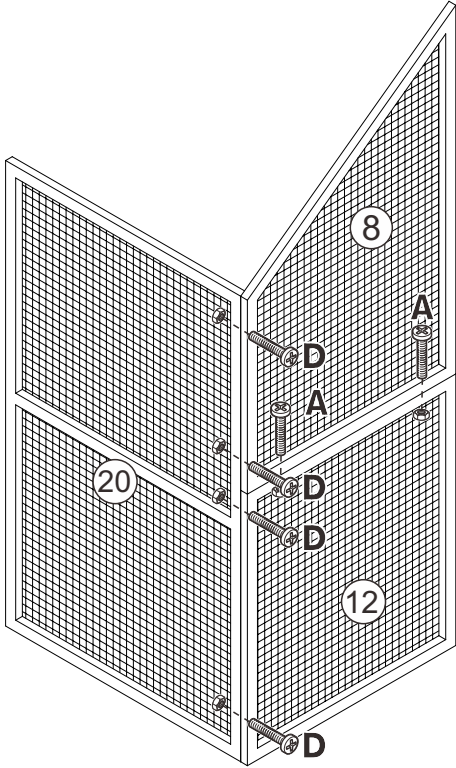


E x 2pcs



This step is repeated twice.

2



A x 4pcs

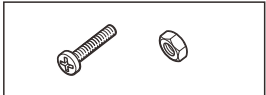
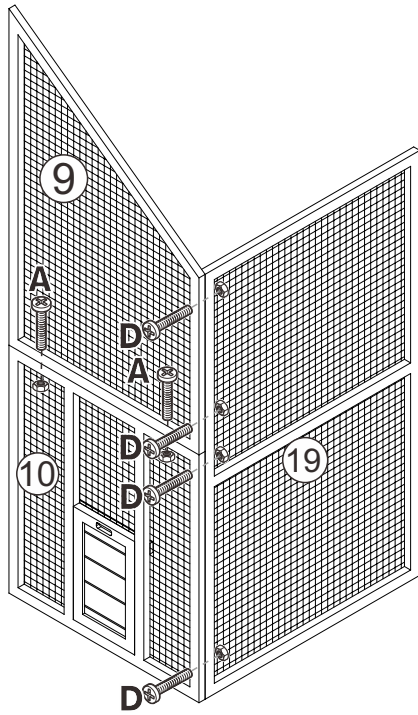


D x 8pcs

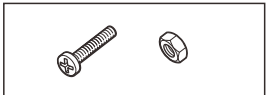
This step is repeated twice.

Assembly Steps

3



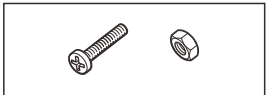
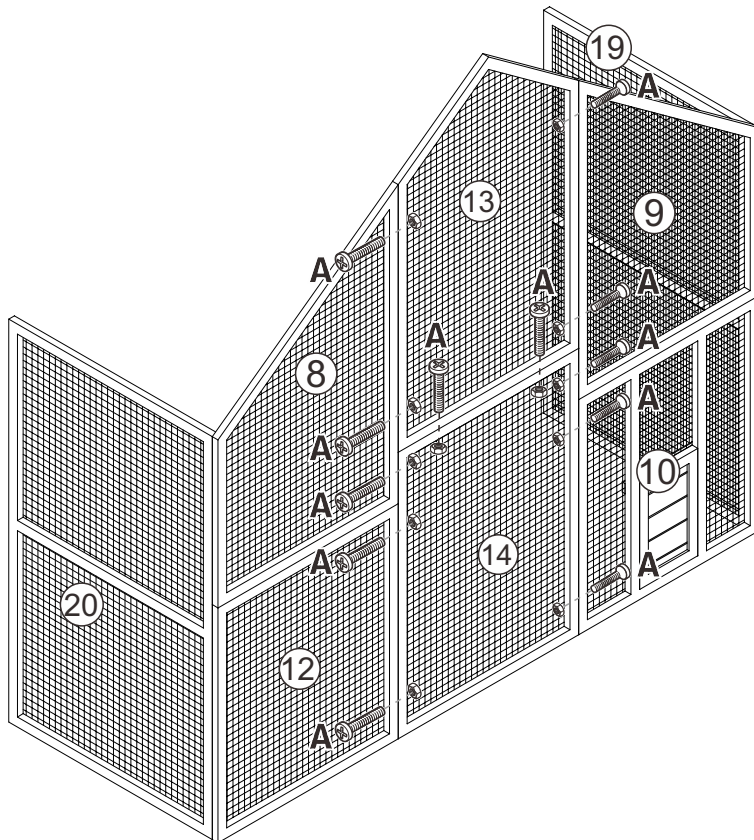
A x 4pcs



D x 8pcs

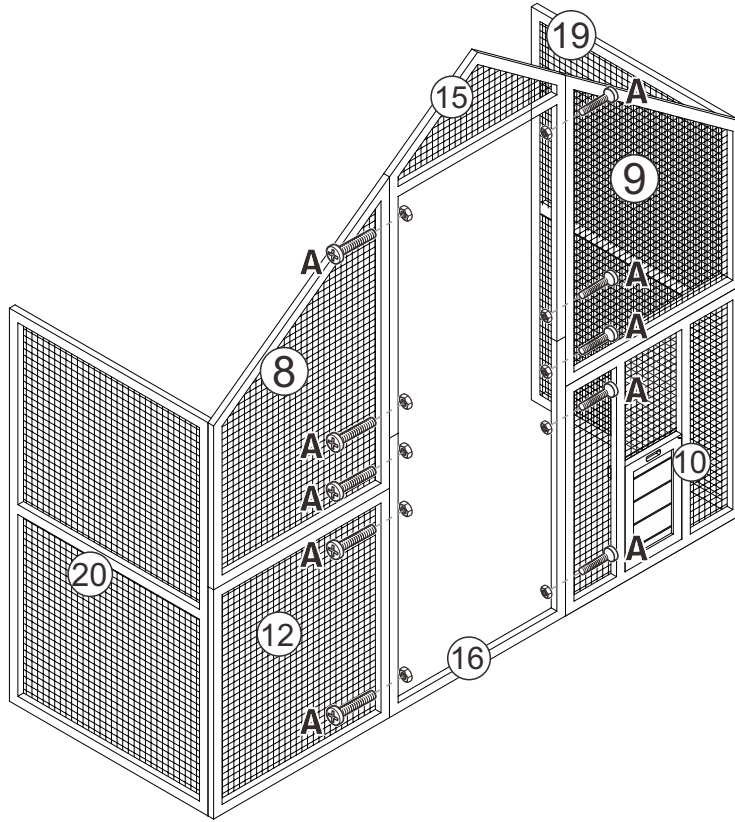
This step is repeated twice.

4



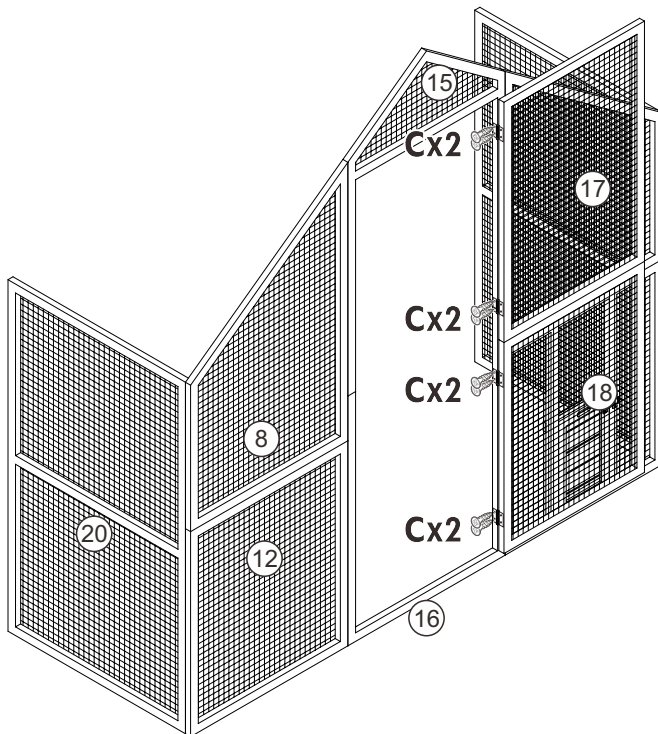
A x 12pcs

5



A x 10pcs

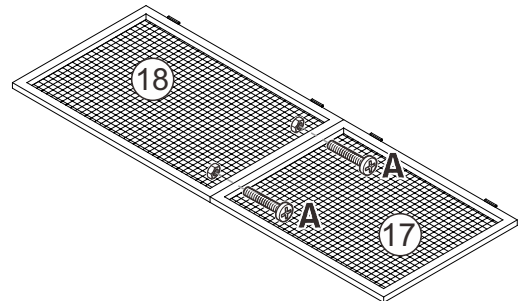
6



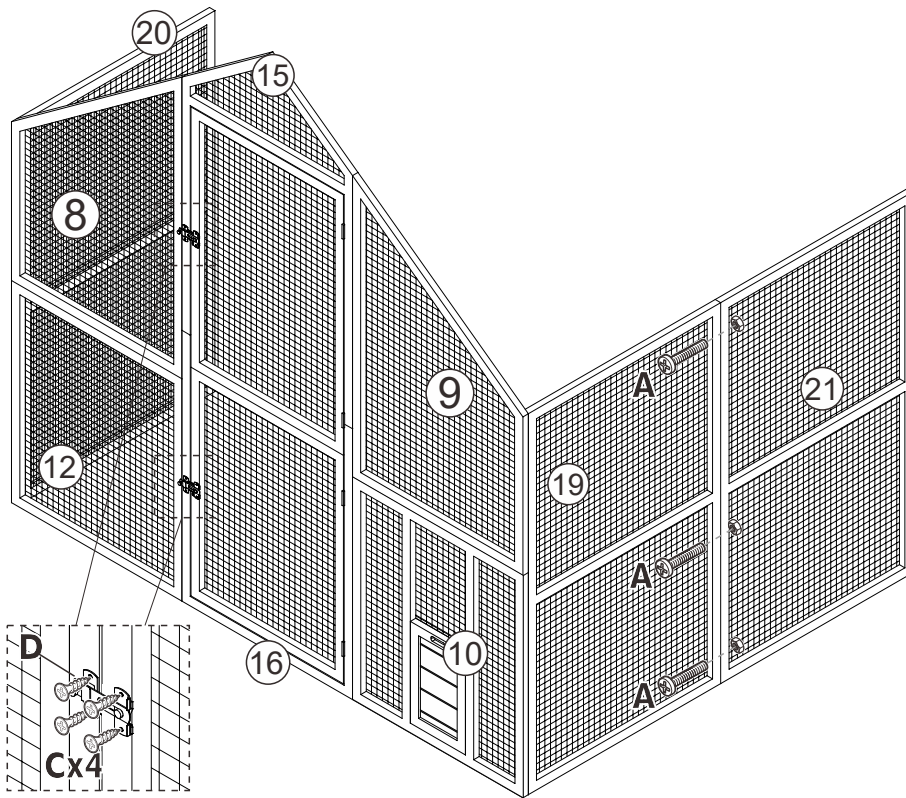
A x 2pcs



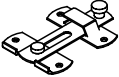


C x 8pcs

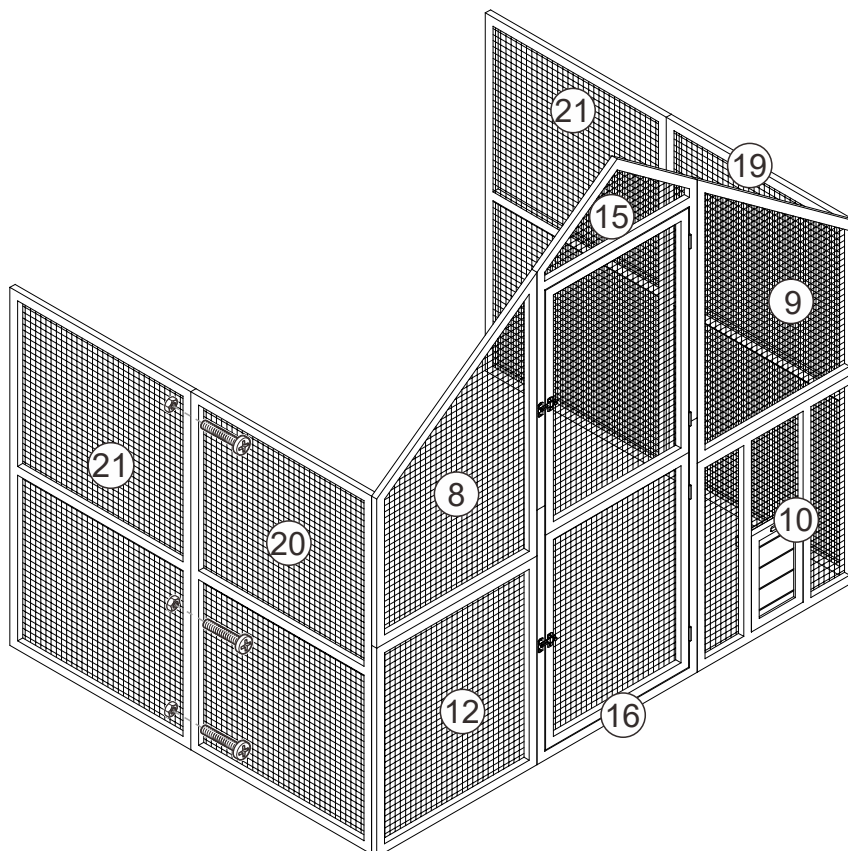



7



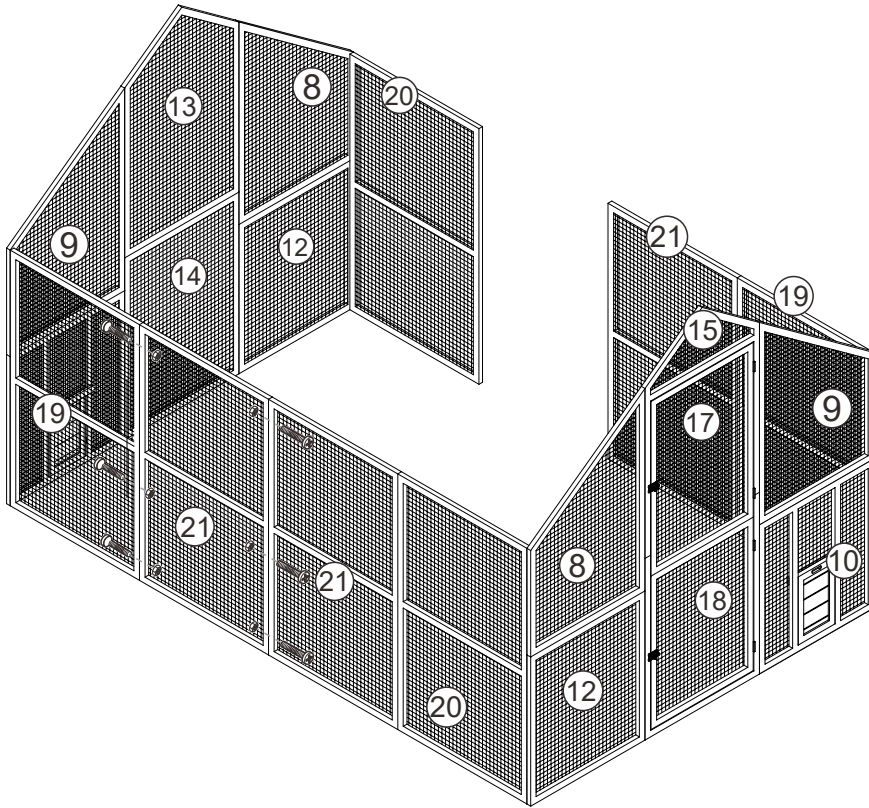

A x 3pcs

C x 8pcs

E x 2pcs


8



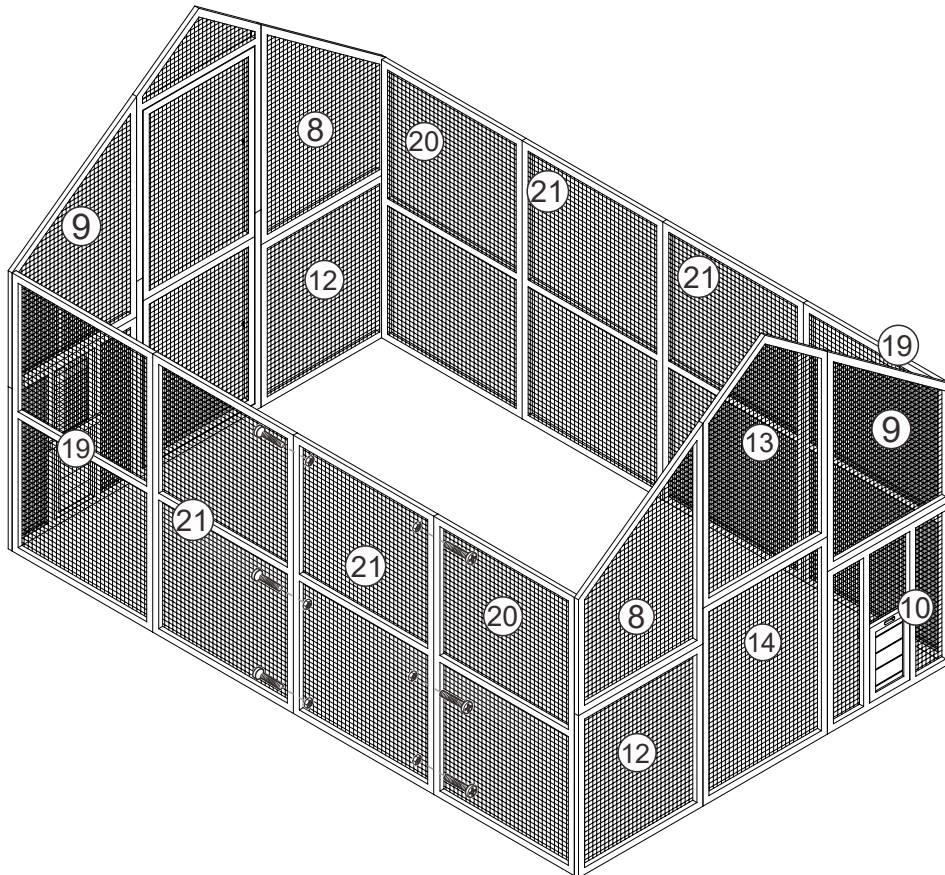

A x 3pcs


9



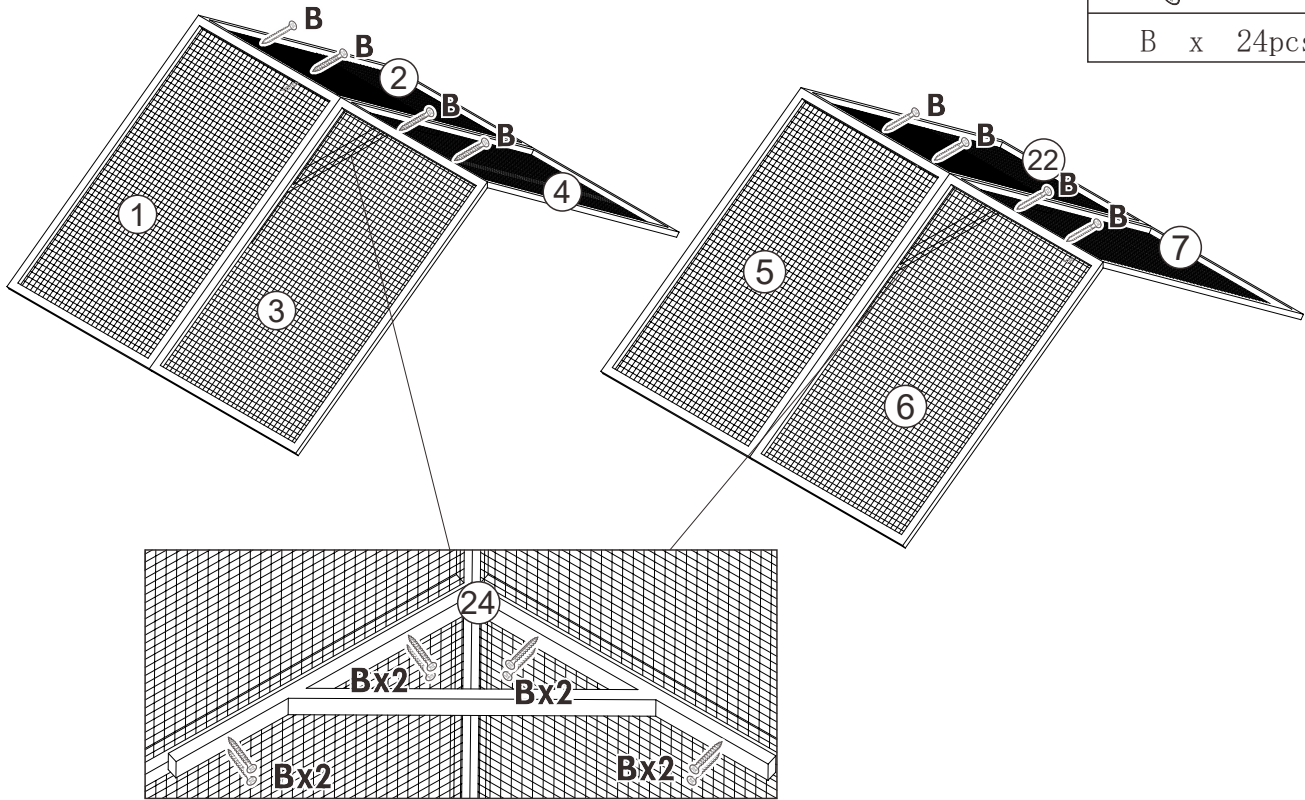
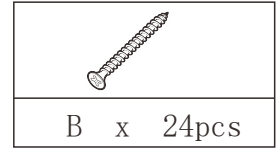

A x 6pcs

10

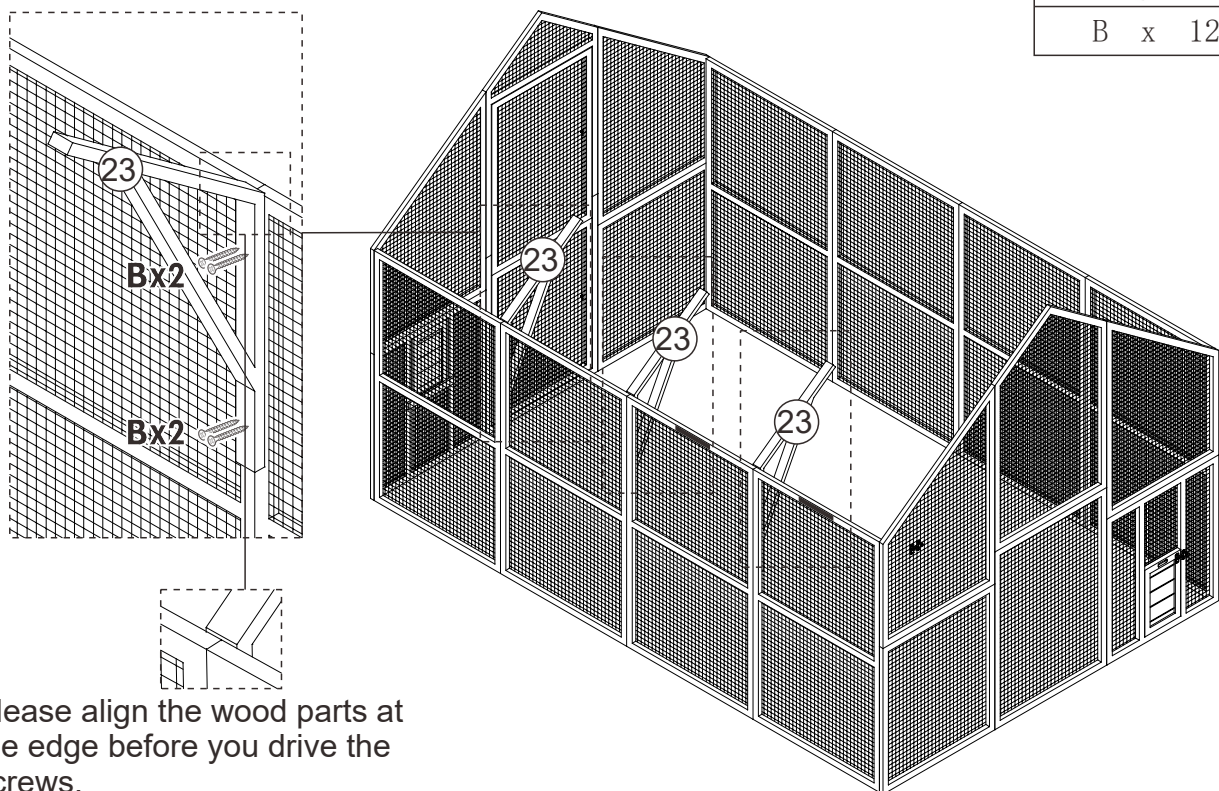
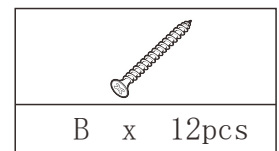



A x 6pcs

11

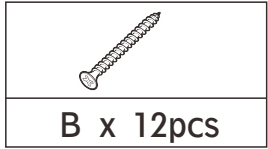
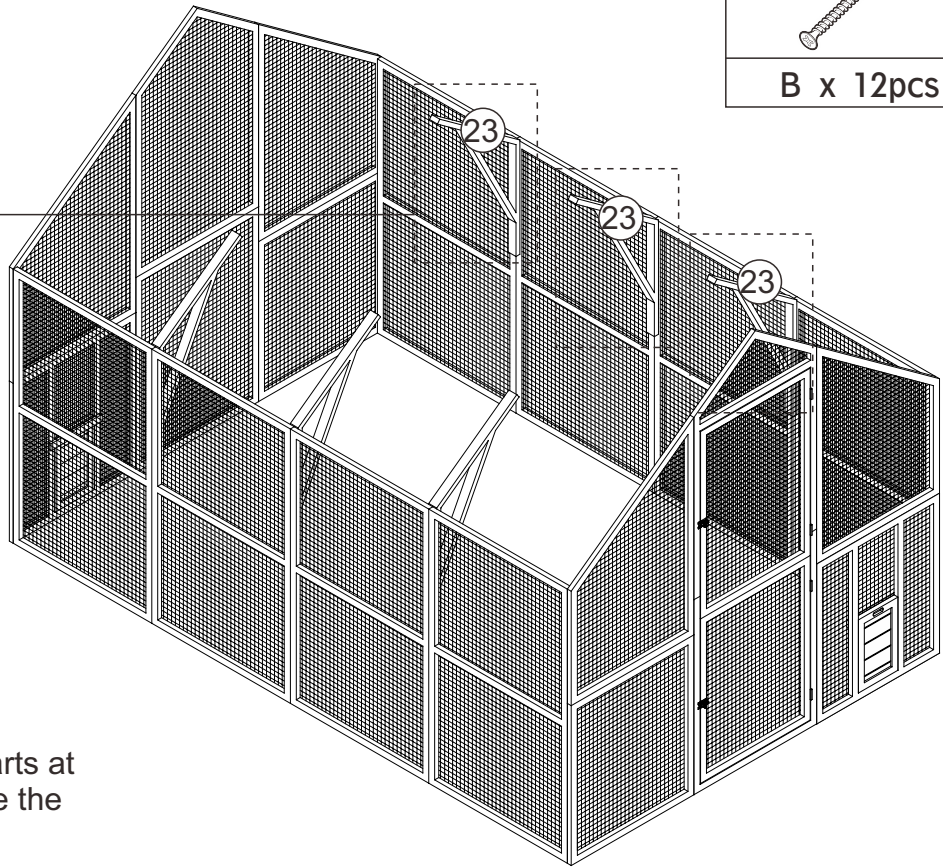
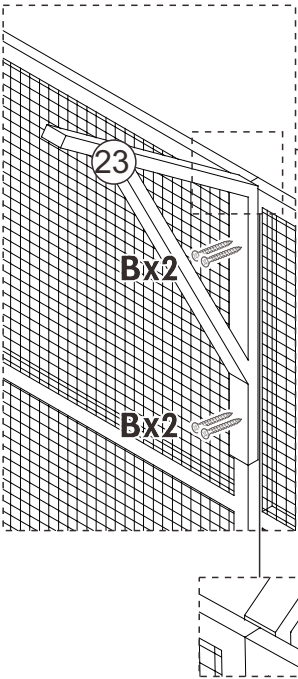


12



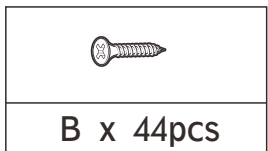
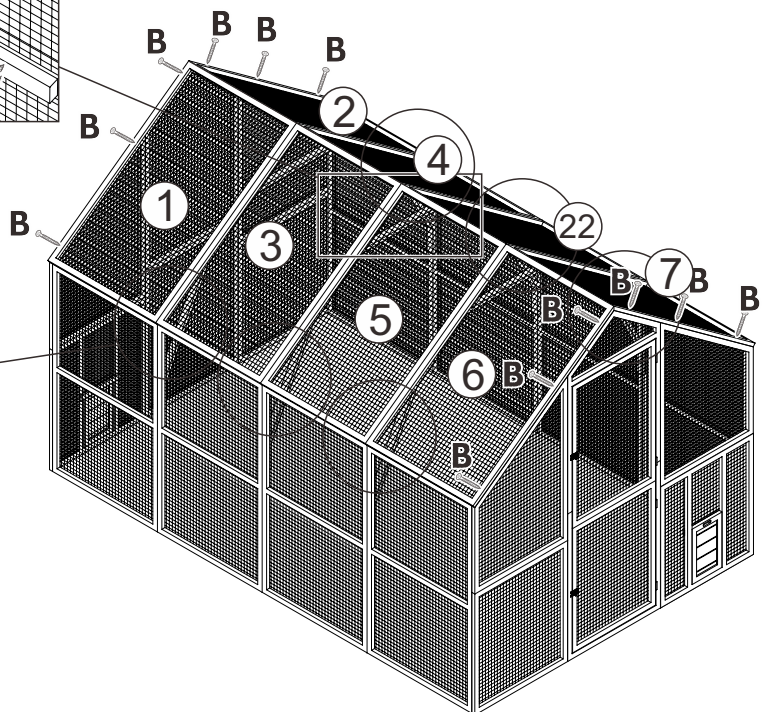
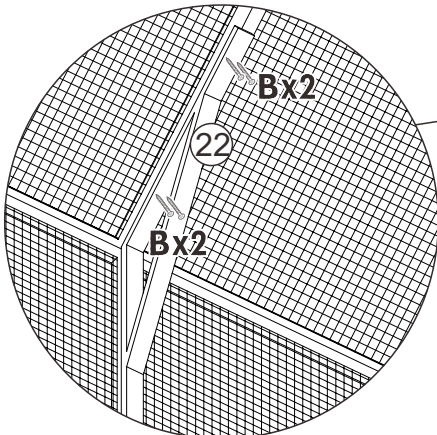
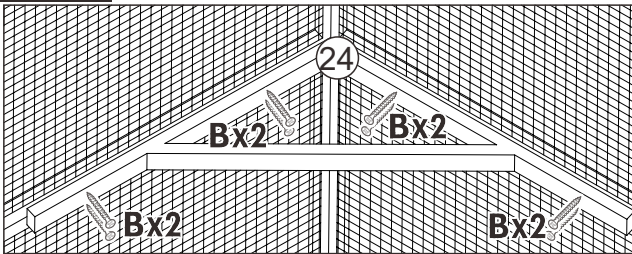
Please align the wood parts at the edge before you drive the screws.

13

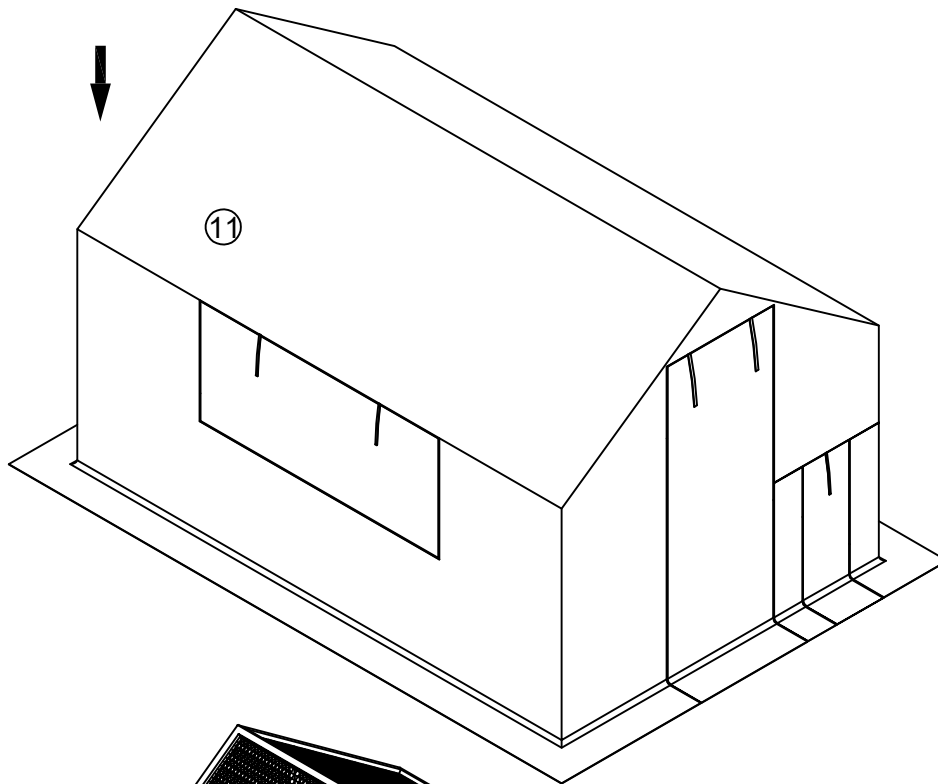


Please align the wood parts at the edge before you drive the screws.

14



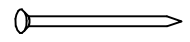
15



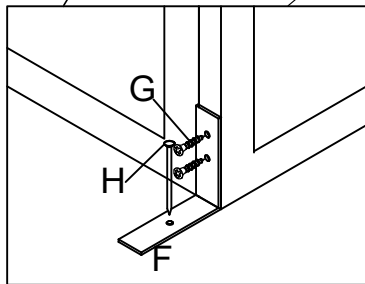
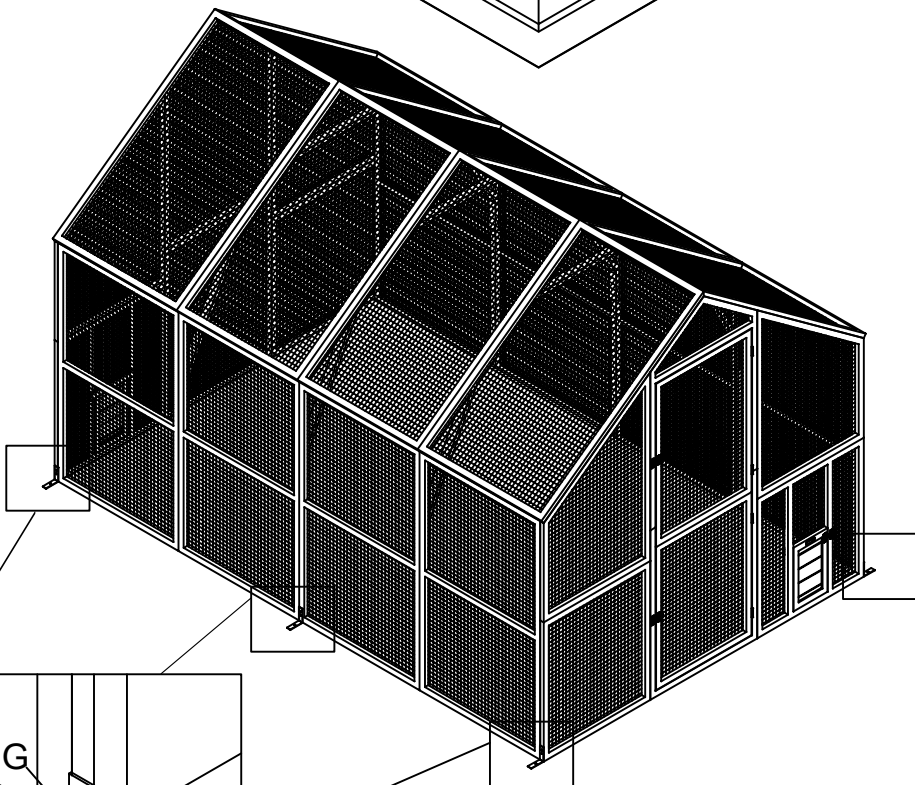
F x 6pcs



G x 12pcs



H x 6pcs



CONGRATULATIONS
YOU ARE DONE!