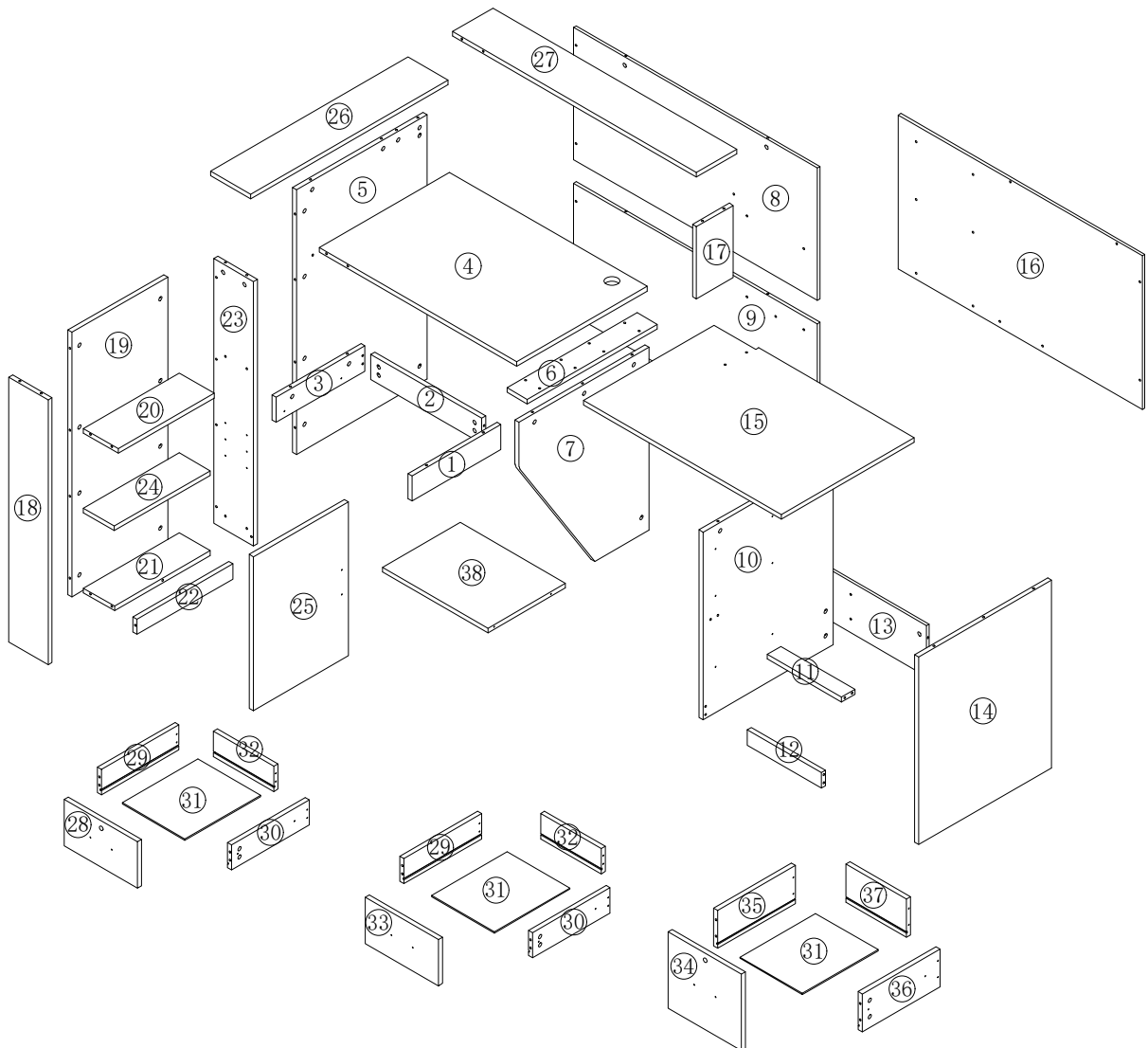
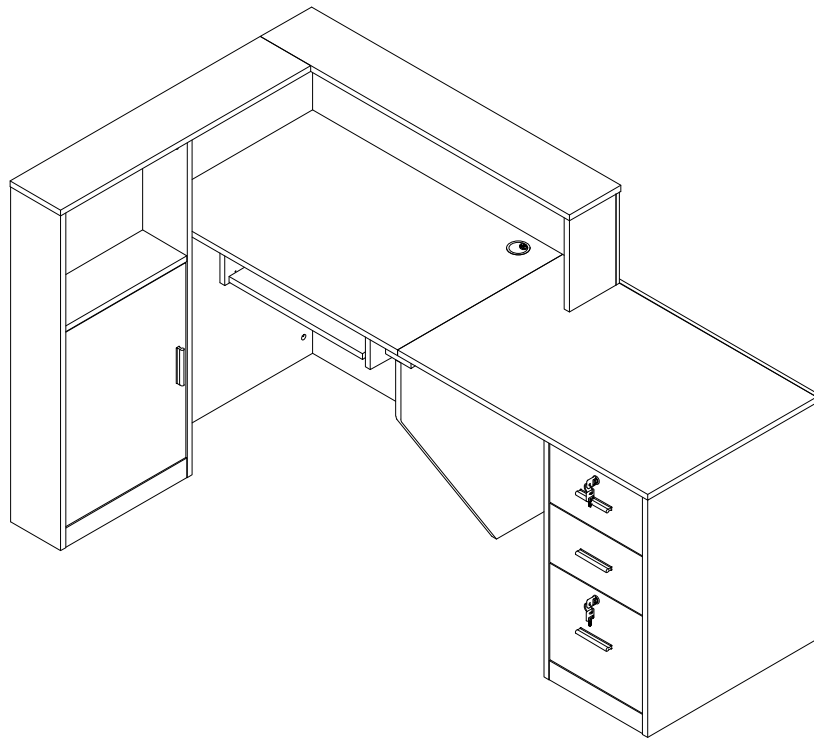
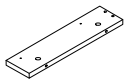
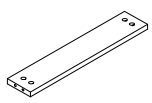
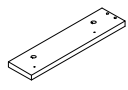
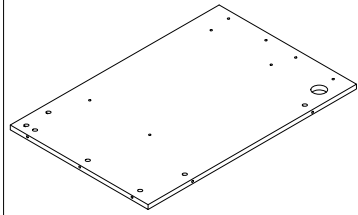
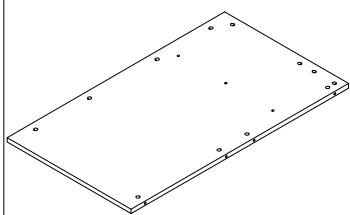
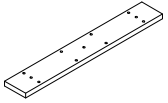
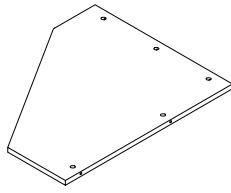
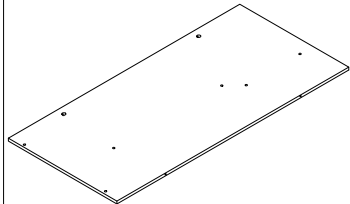
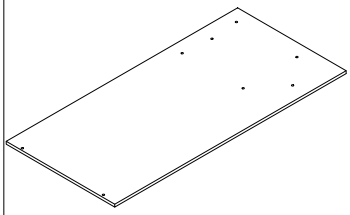
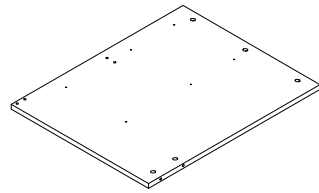
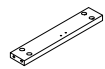
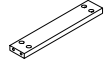
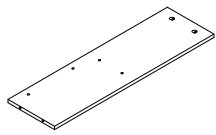
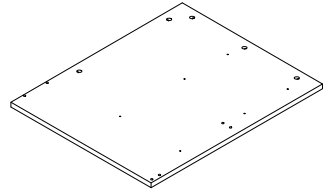
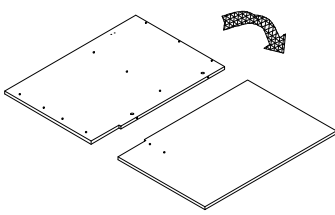
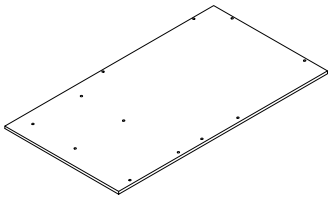
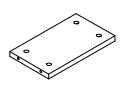
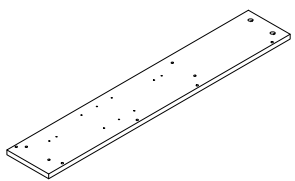
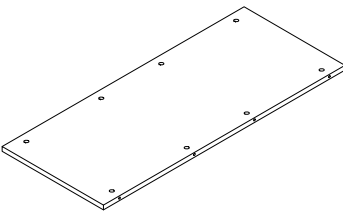
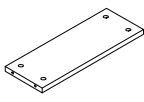


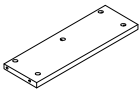
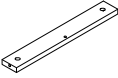
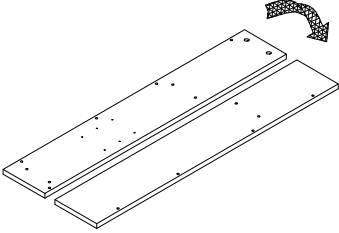
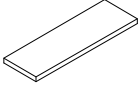
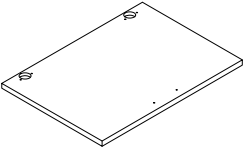
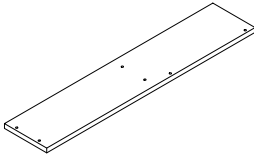
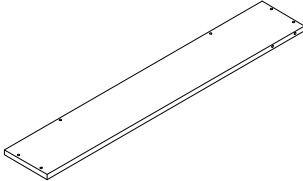
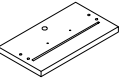
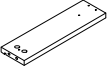
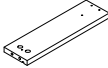
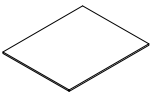
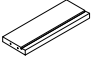
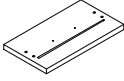
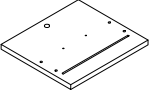
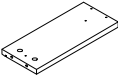
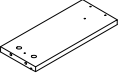
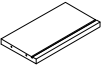
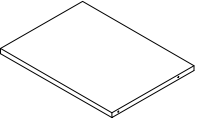
ASSEMBLY INSTRUCTION



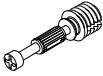






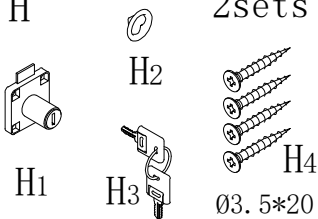



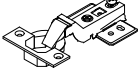


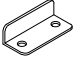


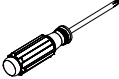
ASSEMBLY INSTRUCTION

① 1PC 	② 1PC 	③ 1PC 	④ 1PC 
⑤ 1PC 	⑥ 1PC 	⑦ 1PC 	⑧ 1PC 
⑨ 1PC 	⑩ 1PC 	⑪ 1PC 	⑫ 1PC 
⑬ 1PC 	⑭ 1PC 	⑮ 1PC 	⑯ 1PC 
⑰ 1PC 	⑱ 1PC 	⑲ 1PC 	⑳ 1PC 

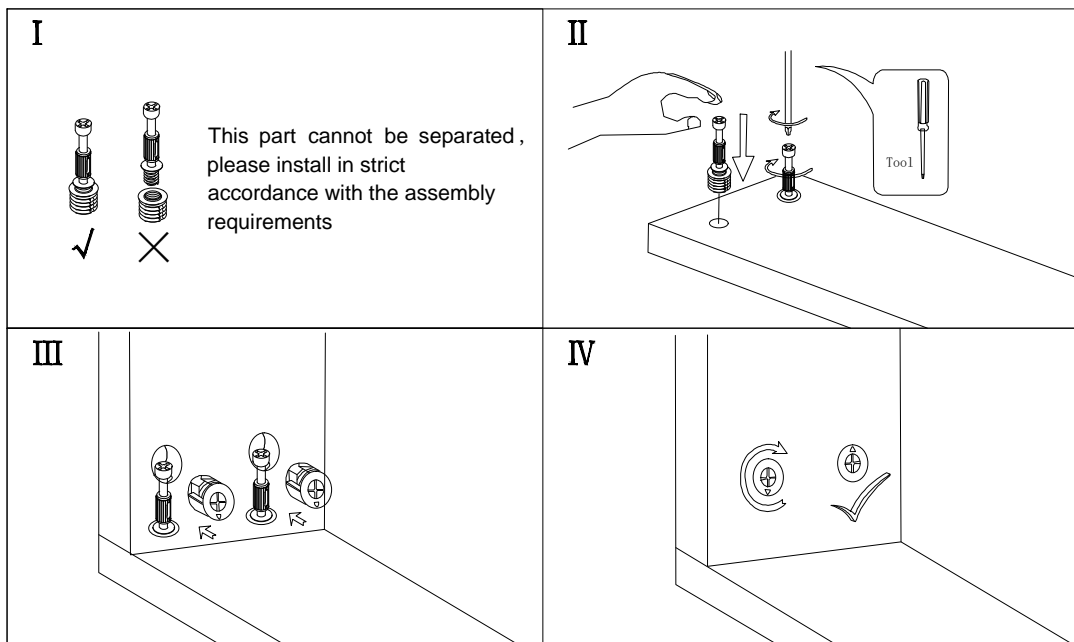
ASSEMBLY INSTRUCTION

<p>⑳ 1PC</p> 	<p>㉑ 1PC</p> 	<p>㉒ 1PC</p> 	<p>㉓ 1PC</p> 
<p>㉔ 1PC</p> 	<p>㉕ 1PC</p> 	<p>㉖ 1PC</p> 	<p>㉗ 1PC</p> 
<p>㉘ 2PCS</p> 	<p>㉙ 2PCS</p> 	<p>㉚ 3PCS</p> 	<p>㉛ 2PCS</p> 
<p>㉜ 1PC</p> 	<p>㉝ 1PC</p> 	<p>㉞ 1PC</p> 	<p>㉟ 1PC</p> 
<p>㊱ 1PC</p> 	<p>㊲ 1PC</p> 		

ASSEMBLY INSTRUCTION

<p>A 95PCS</p>  <p>M6*40</p>	<p>B 95PCS</p>  <p>Ø15*9.5</p>	<p>C 48PCS</p>  <p>Ø3.5*14</p>	<p>D 14PCS</p> 		
<p>E 4sets</p>  <p>96# M4*22</p>	<p>F 8PCS</p>  <p>14"</p>	<p>G 12PCS</p>  <p>Ø3.5*40</p>	<p>H 2sets</p>  <p>H1 H2 H3 H4 Ø3.5*20</p>		
<p>I 8PCS</p>  <p>M6*27</p>	<p>J 6PCS</p>  <p>Ø6*40</p>	<p>K 4PCS</p>  <p>Ø5*15</p>	<p>L 2PCS</p> 		
<p>M 1PC</p>  <p>Ø50</p>	<p>N 8PCS</p>  <p>M6*20</p>	<p>O 2PCS</p>  <p>29*13*9</p>	<p>P 39PCS</p> 	<p>Q 57PCS</p> 	

"A" Hardware installation example

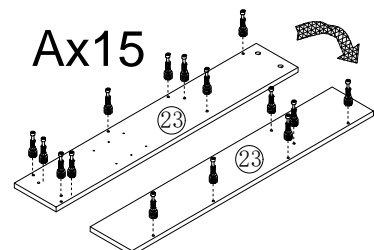
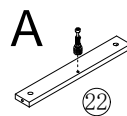
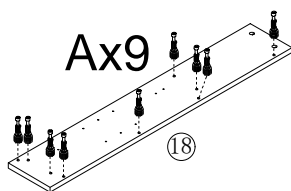
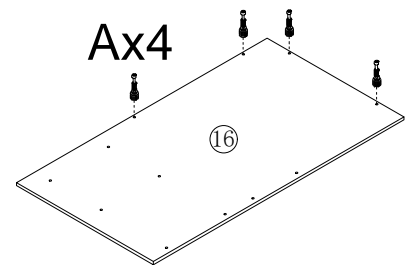
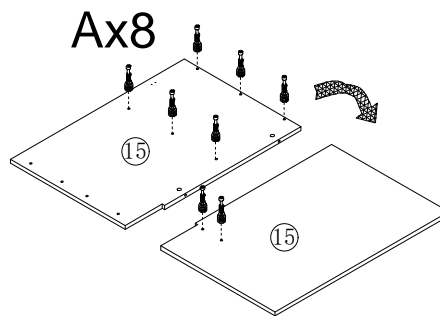
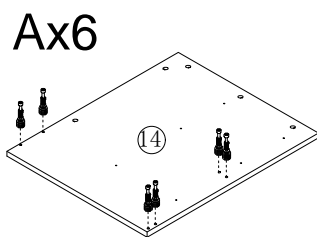
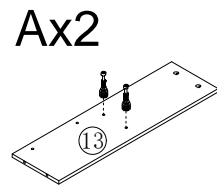
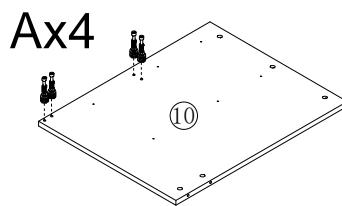
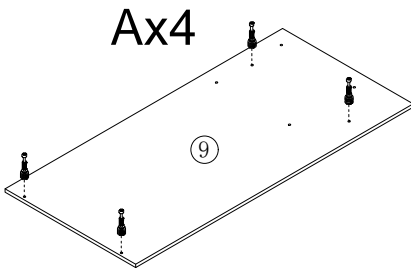
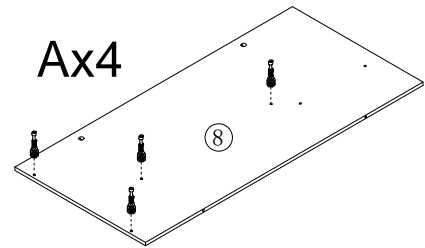
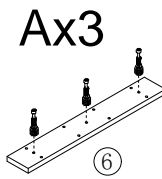
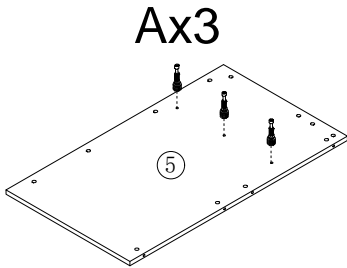
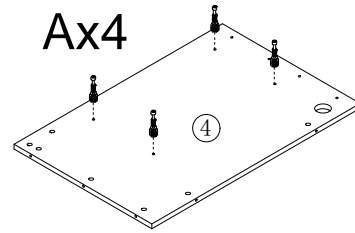
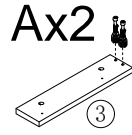
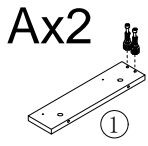


Step 1

A 71PCS



M6*40



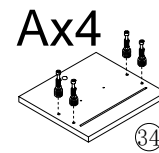
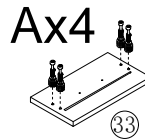
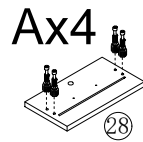
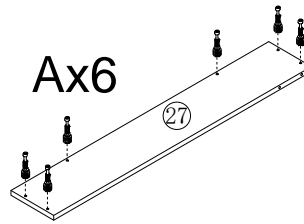
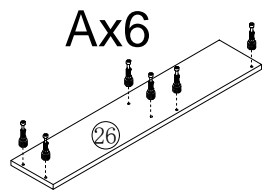
ASSEMBLY INSTRUCTION

Step 2

A 24PCS

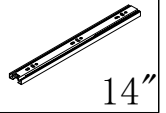


M6*40



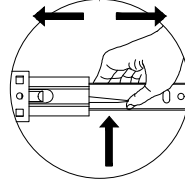
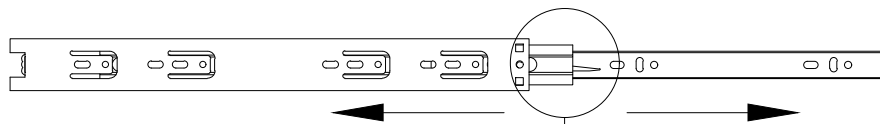
Step 3

F 8PCS



14"

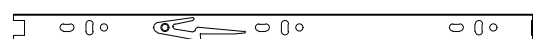
Fx8



F1

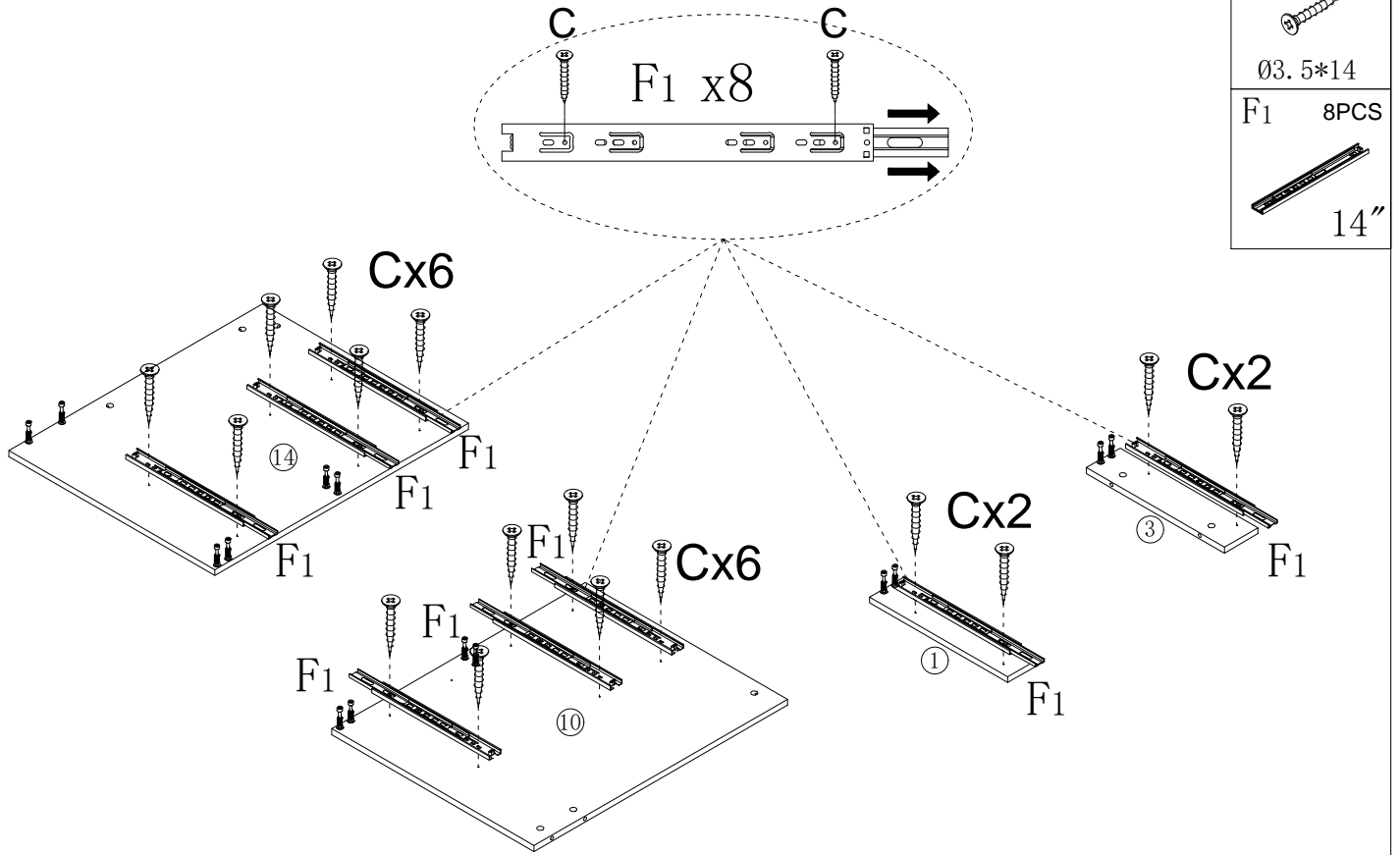


F2

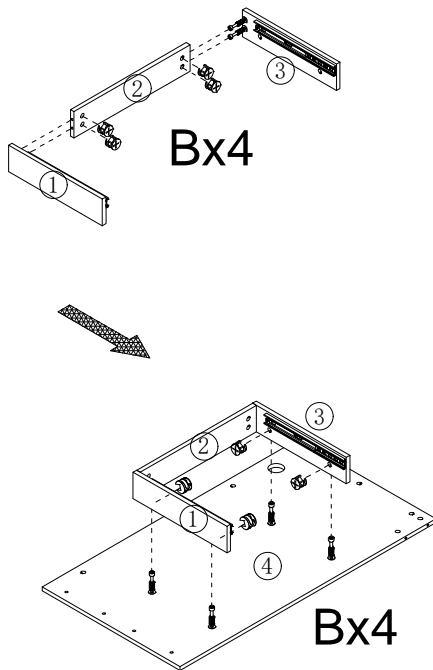


ASSEMBLY INSTRUCTION

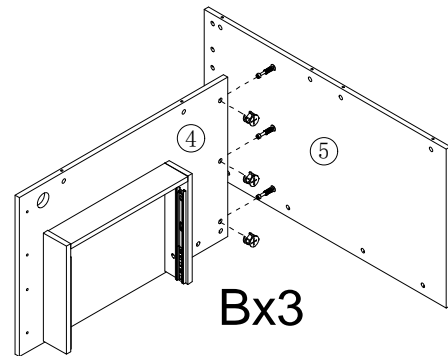
Step 4



Step 5

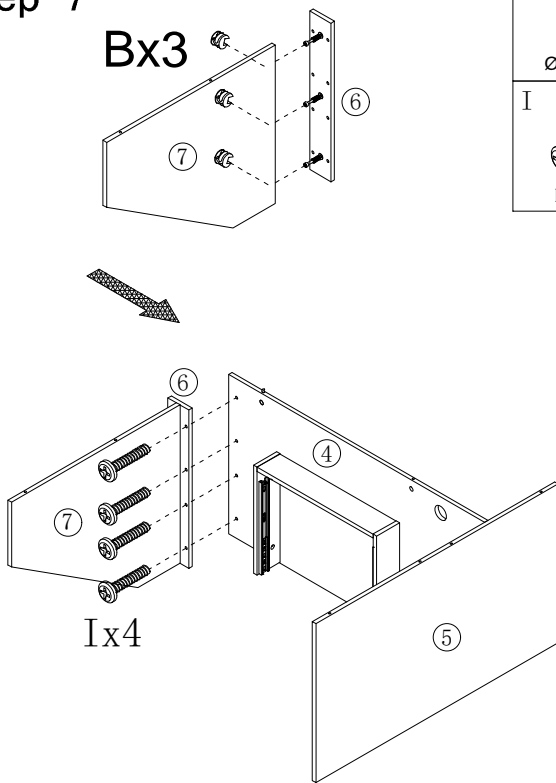




Step 6



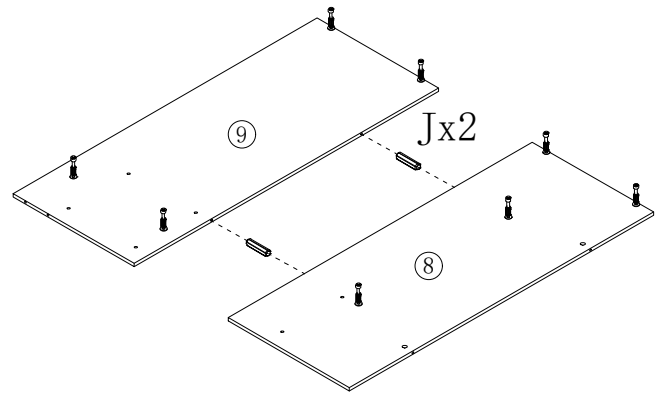
ASSEMBLY INSTRUCTION


Step 7



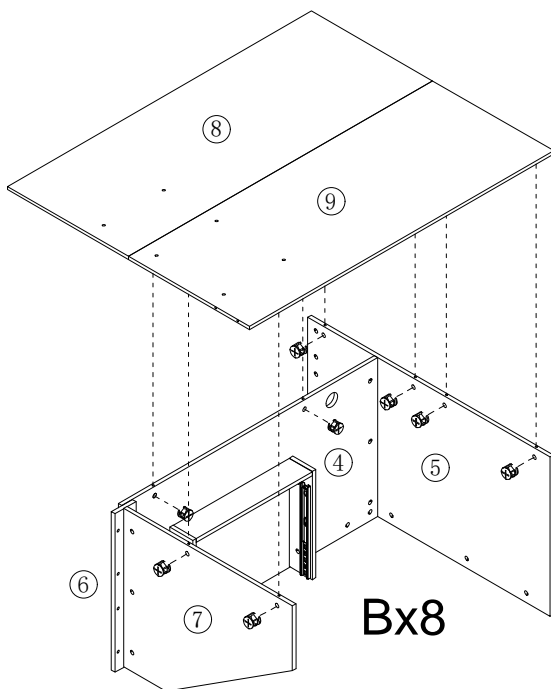
- B** 3PCS

Ø15*9.5
- I** 4PCS

M6*27


Step 8



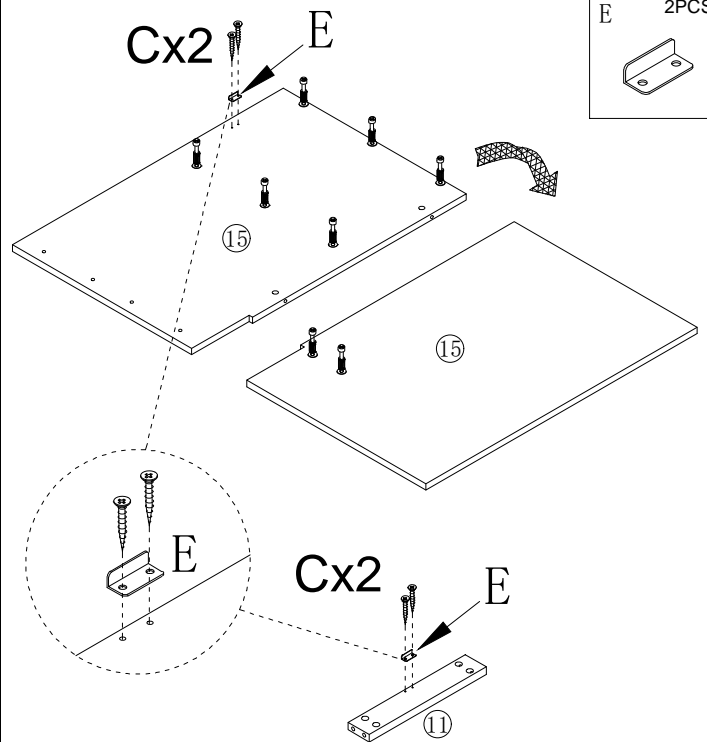
- J** 2PCS

Ø6*40


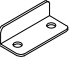
Step 9



- B** 8PCS

Ø15*9.5


Step 10

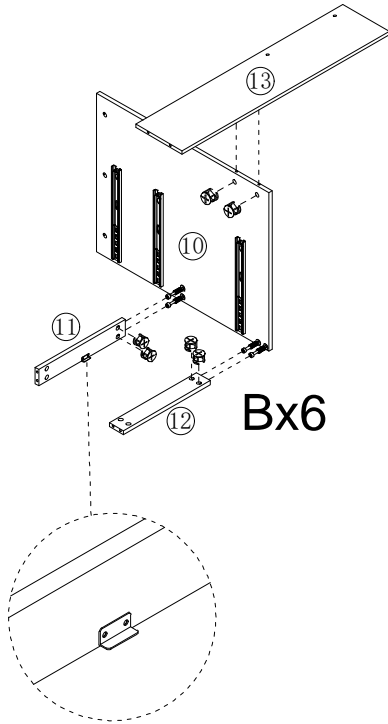


- C** 4PCS

Ø3.5*14
- E** 2PCS



ASSEMBLY INSTRUCTION

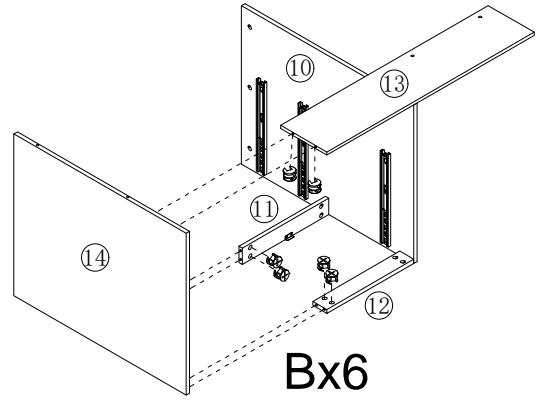
Step 11

B 6PCS

Ø15*9.5




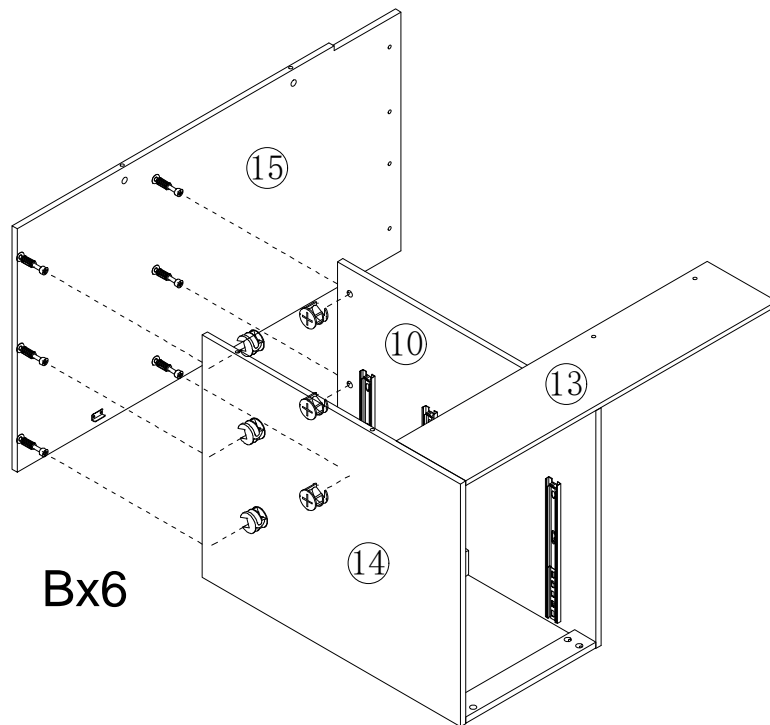
Step 12

B 6PCS

Ø15*9.5



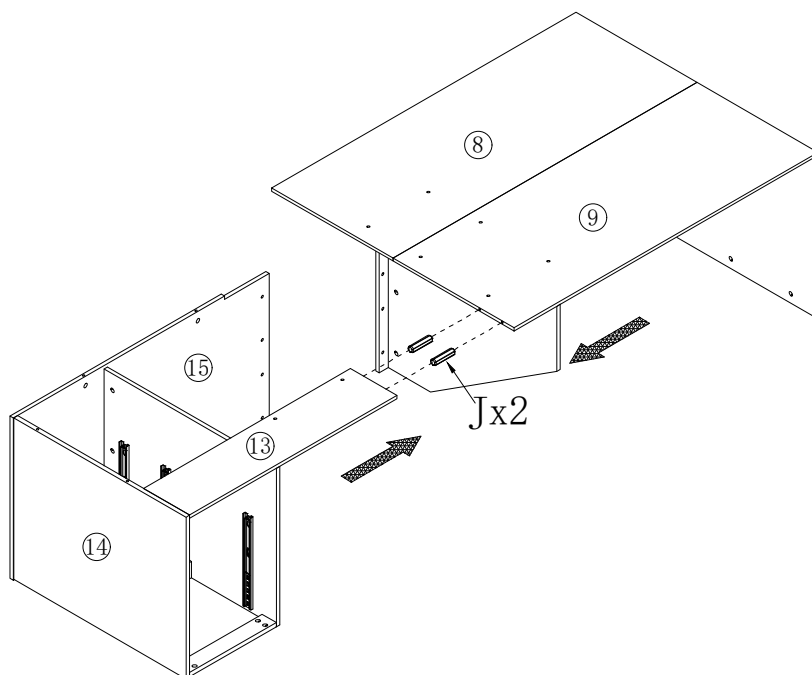
Step 13

B 6PCS

Ø15*9.5



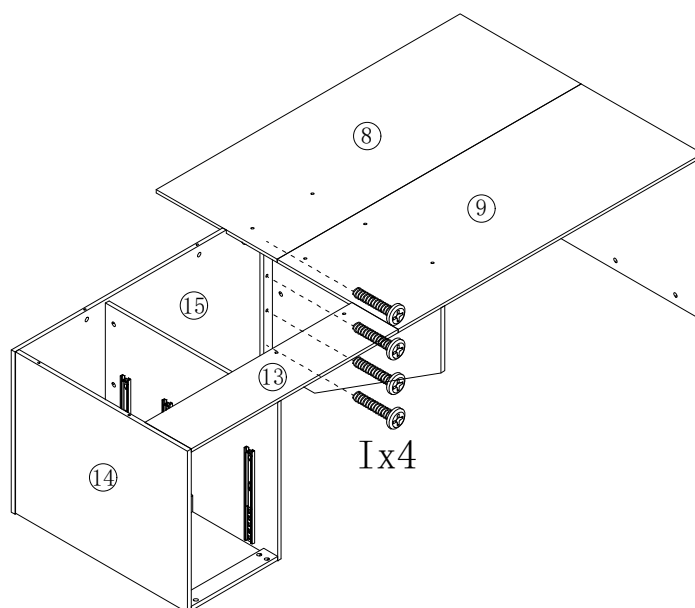
Step 14

J 2PCS



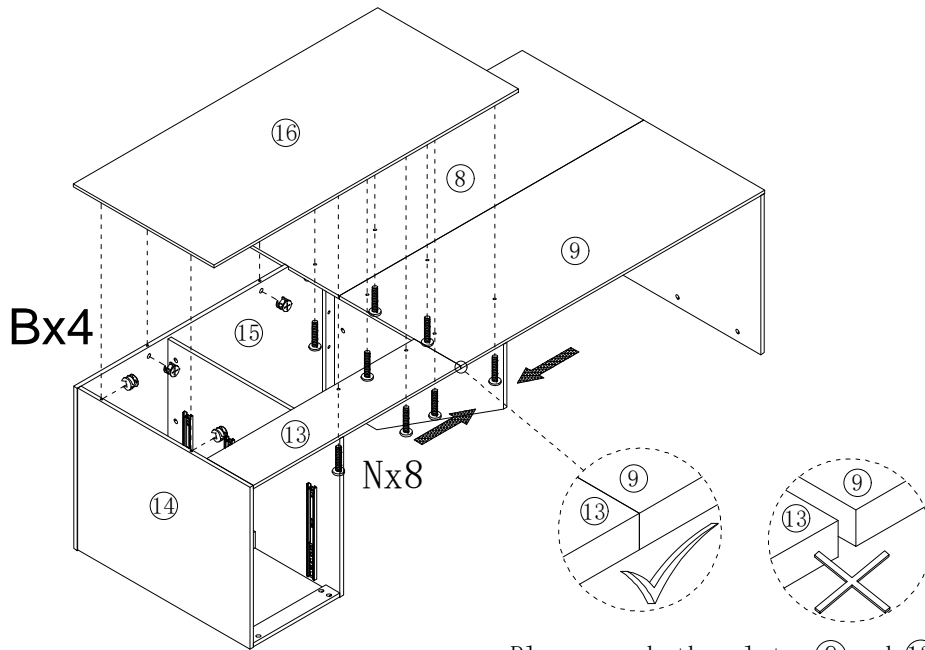
Step 15



I 4PCS



ASSEMBLY INSTRUCTION


Step 16

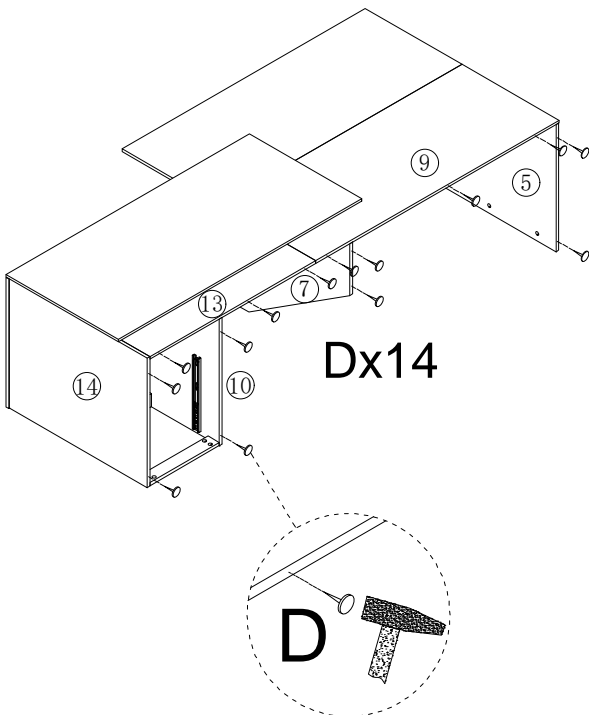


B	4PCS
	
Ø15*9.5	
N	8PCS
	
M6*20	


Please push the plates ⑨ and ⑬ tightly together, and then tighten the accessory screw I.

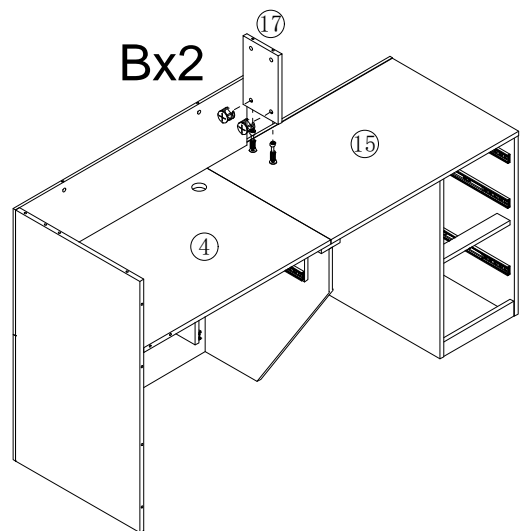
Step 17

D	14PCS
	




Step 18

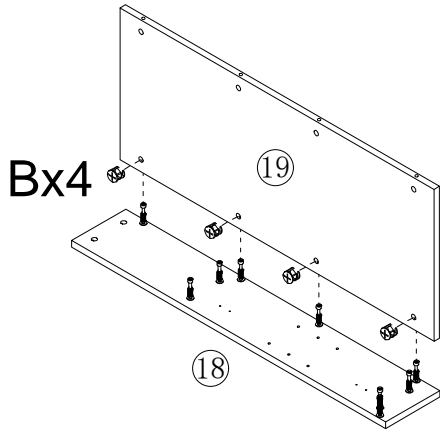
B	2PCS
	
Ø15*9.5	




ASSEMBLY INSTRUCTION

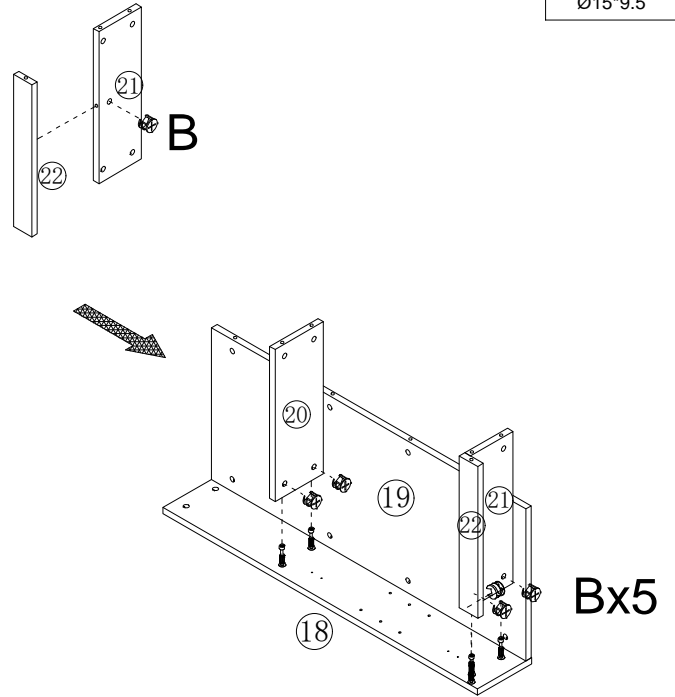
Step 19

B 4PCS

Ø15*9.5




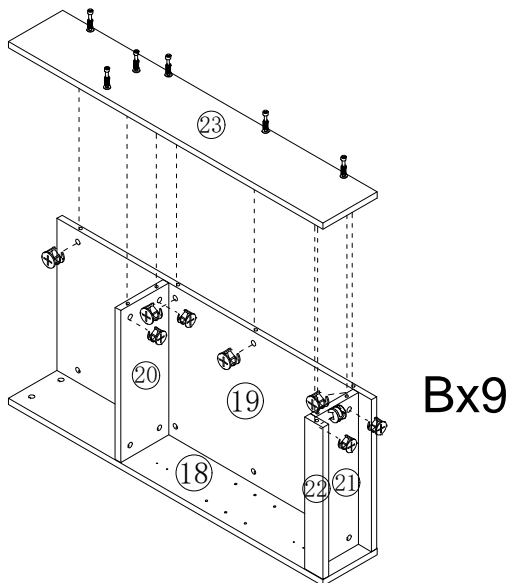
Step 20

B 6PCS

Ø15*9.5




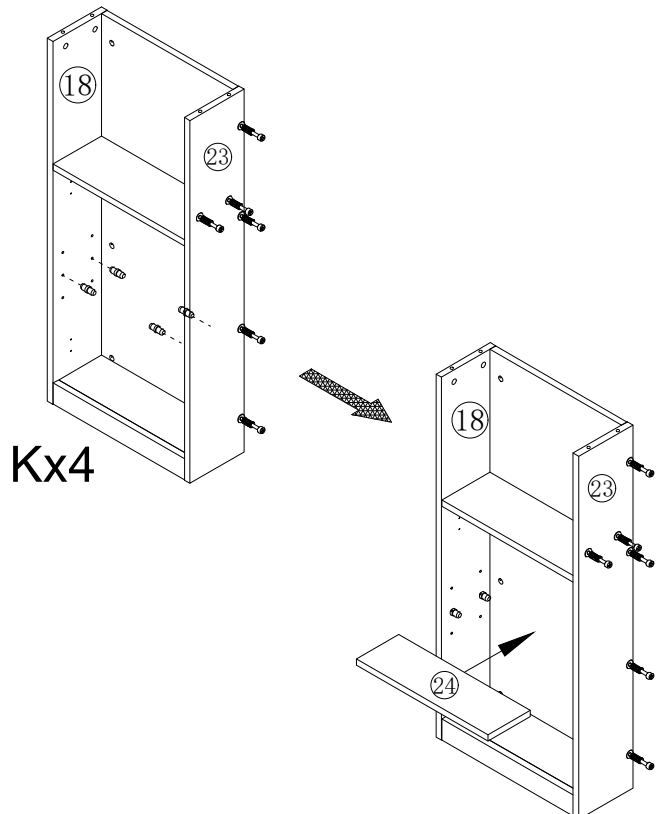
Step 21

B 9PCS

Ø15*9.5



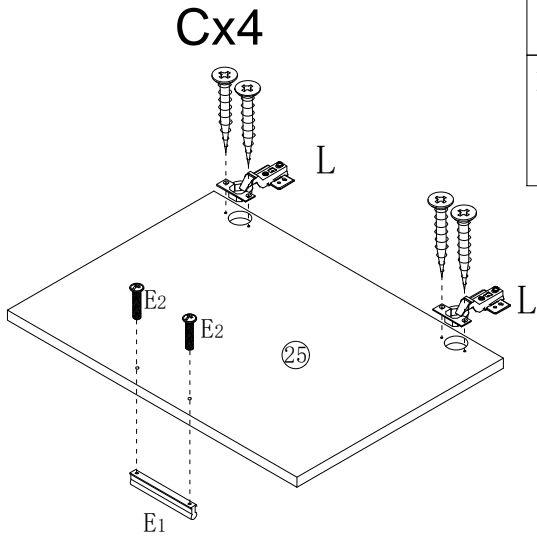
Step 22

K 4PCS

Ø5*15



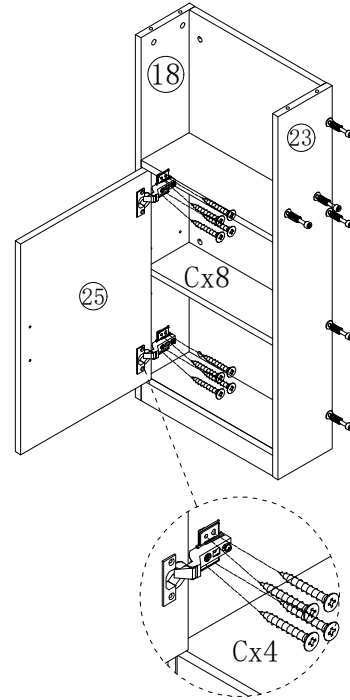
ASSEMBLY INSTRUCTION

Step 23



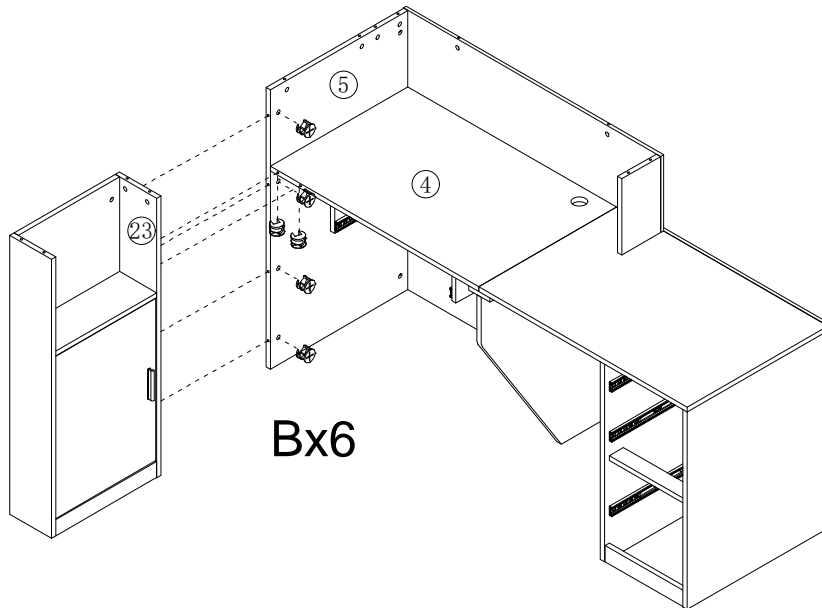
- C 4PCS
Ø3.5*14
- E 1set
96# M4*18
- L 2PCS

Step 24



- C 8PCS
Ø3.5*14

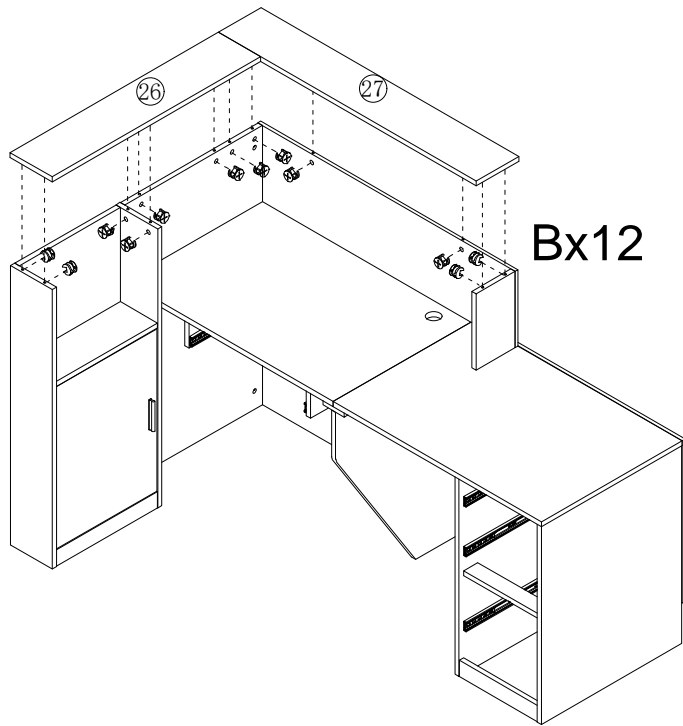
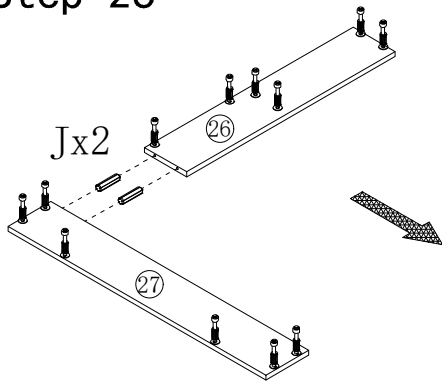
Step 25



- B 6PCS
Ø15*9.5

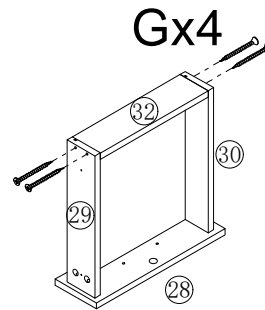
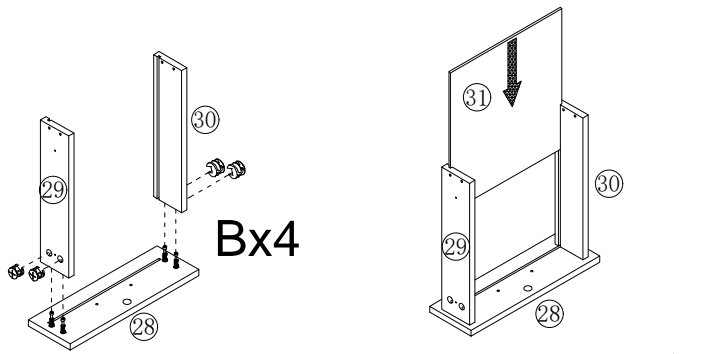
ASSEMBLY INSTRUCTION

Step 26

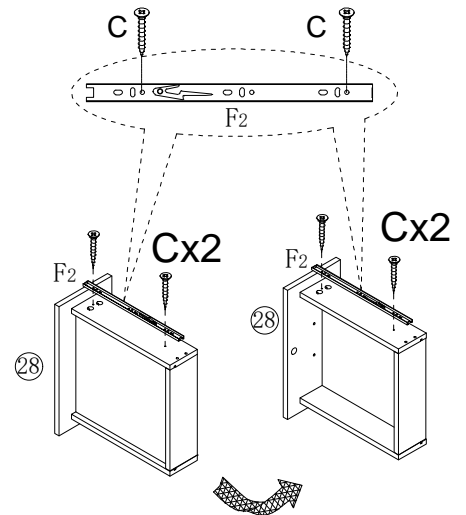
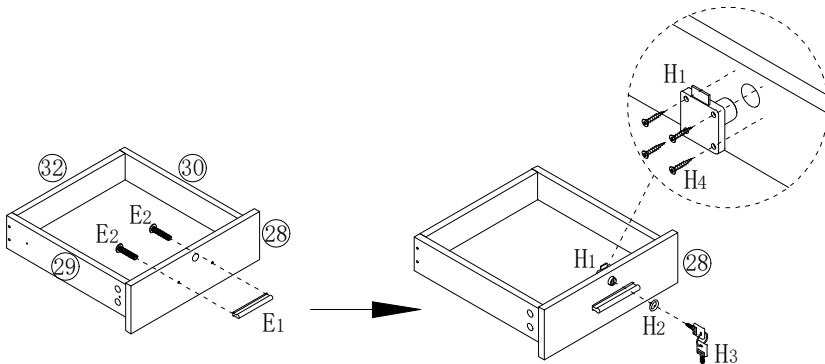


B	12PCS
	Ø15*9.5
J	2PCS
	Ø6*40

Step 27

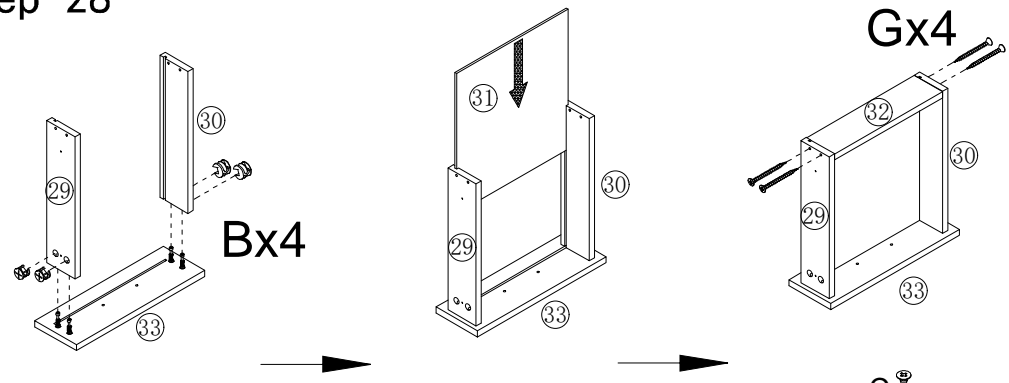


B	4PCS	F ₂	2PCS
	Ø15*9.5		14"
C	4PCS	G	4PCS
	Ø3.5*14		Ø3.5*40
E	1set	H	1set
96#	M4*22	H ₁	H ₂
		H ₃	H ₄

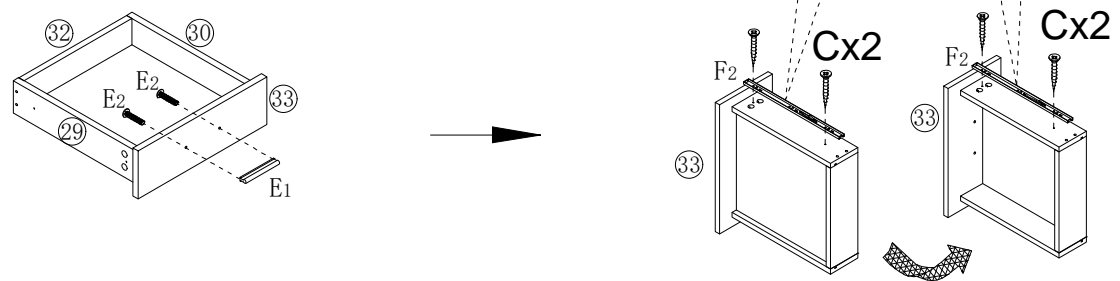


ASSEMBLY INSTRUCTION

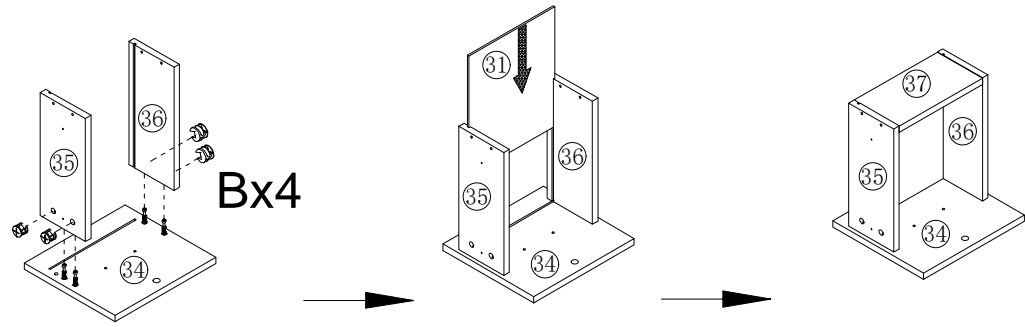
Step 28



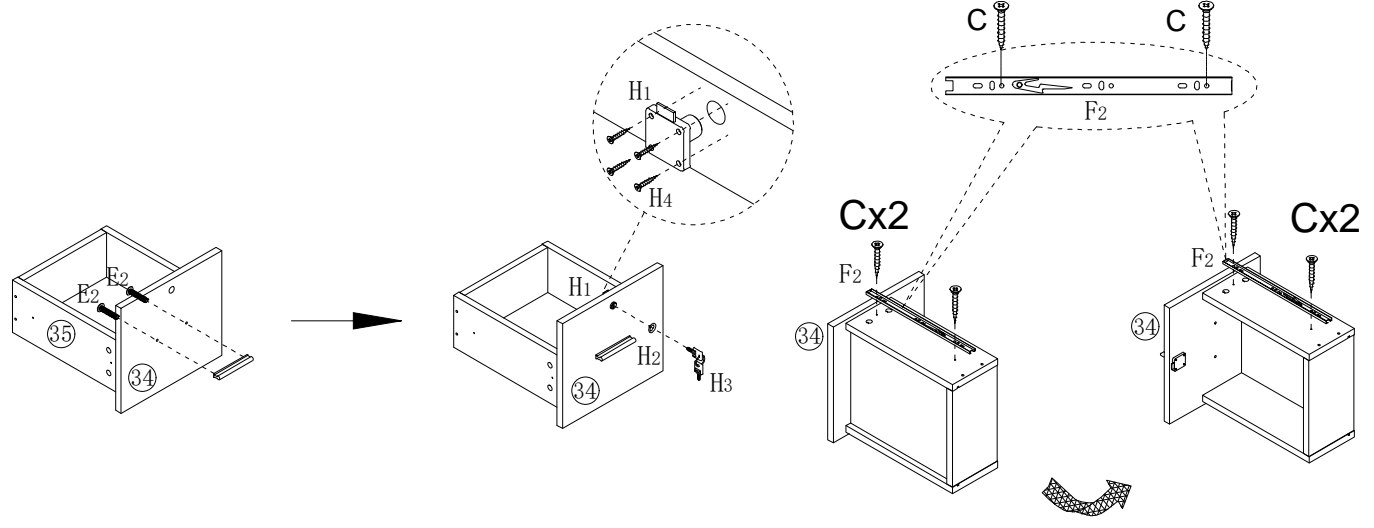
B	4PCS	E	1set
	Ø15*9.5	96#	M4*22
C	4PCS	F ₂	2PCS
	Ø3.5*14		14"
G	4PCS		
	Ø3.5*40		



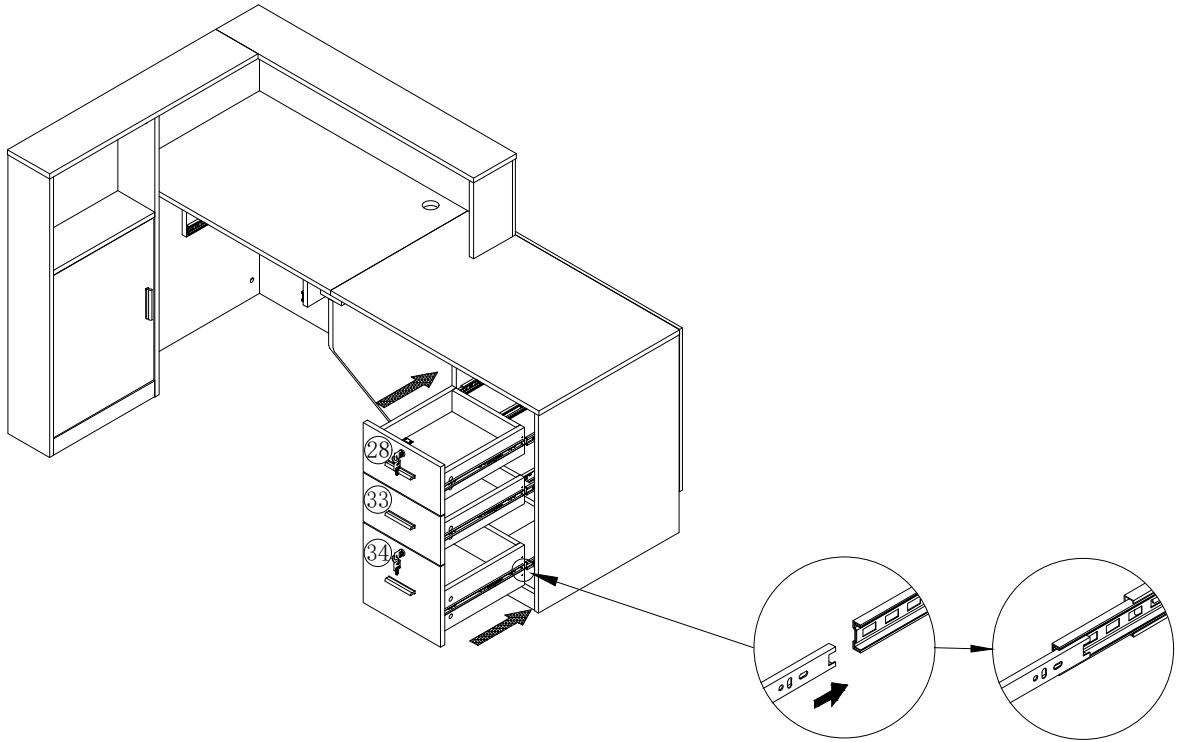
Step 29



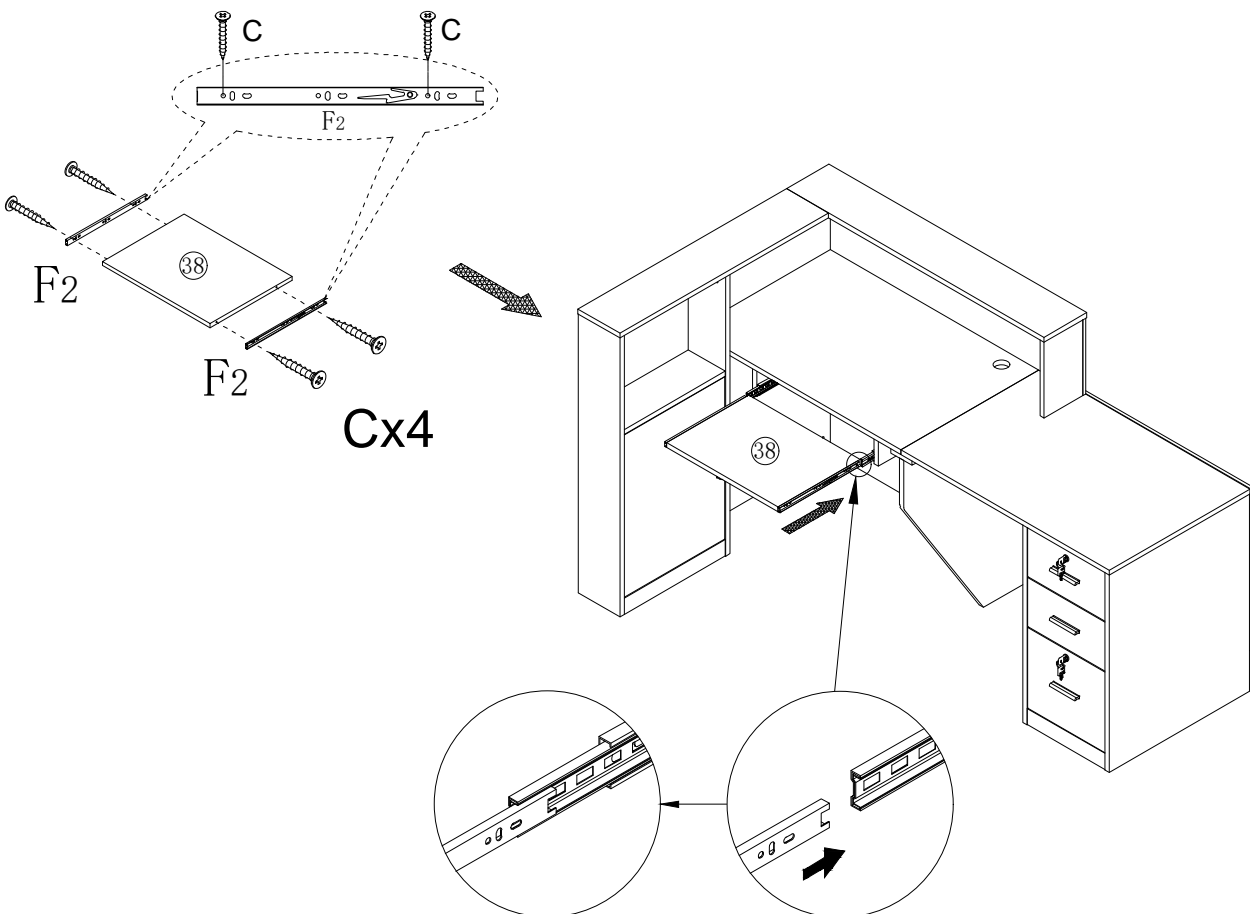
B	4PCS	F ₂	2PCS
	Ø15*9.5		14"
C	4PCS	G	4PCS
	Ø3.5*14		Ø3.5*40
E	1set	H	1set
96#	M4*22	H ₁	H ₂
		H ₃	H ₄





Step 30




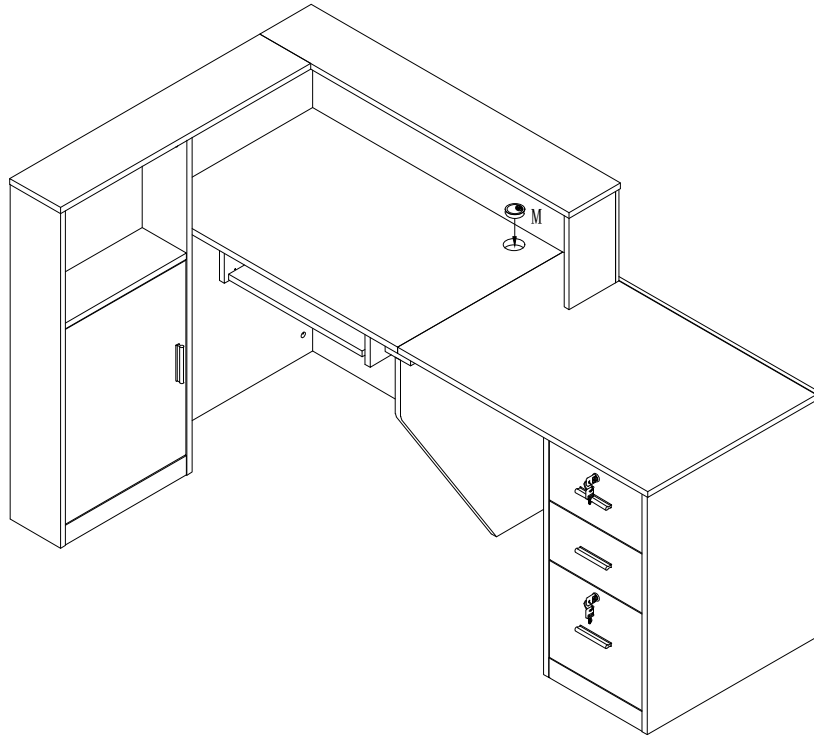
Step 31



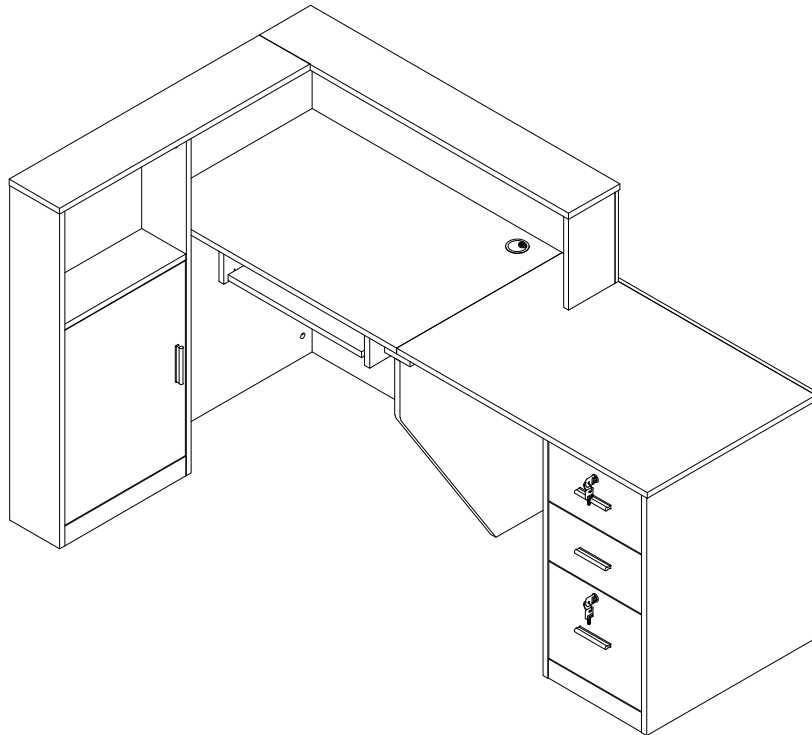
C	4PCS
	
Ø3.5*14	
F2	2PCS
	
14"	

Step 32

M	1PC
	
Ø50	



Step 33



OK