











Assembly Instructions

Caution : You must read this before you proceed

Care & Maintenance

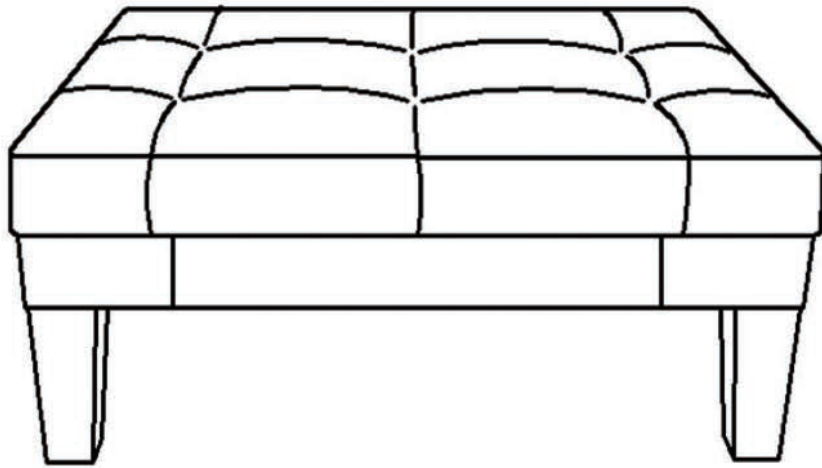
- ⊘  ● Not for commercial use. For residential use only.
- ✓  ● Furniture may scratch floors. We recommend using furniture pads to protect your floors.
- ⊘  ● Do not put hot items directly on furniture surface.
- ⊘  ● Do not clean furniture with harsh cleansers or polish.
- ⊘  ● Do not place furniture under direct sunlight.
- ⊘  ● Do not place furniture near heating or cooling vents.
- ⊘  ● Do not write on furniture without a padded barrier to protect the surface.
- ⊘  ● Do not place furniture outside . For indoor use only.
- ⊘  ● Stains may be removed with mild soap solution and damp cloth.
- ⊘  ● Children should not climb or jump on the furniture.




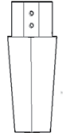
- Dust and pick-up spills using a clean, non-colored, lint-free cloth.

Please look ottoman base for hardware packs and legs.
Sets often ship in multiple boxes and may arrive a day or two apart.



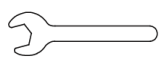
Ottoman



Parts List

Label	Picture	Description	QTY
A		Ottoman	1
B		Wooden Leg	4

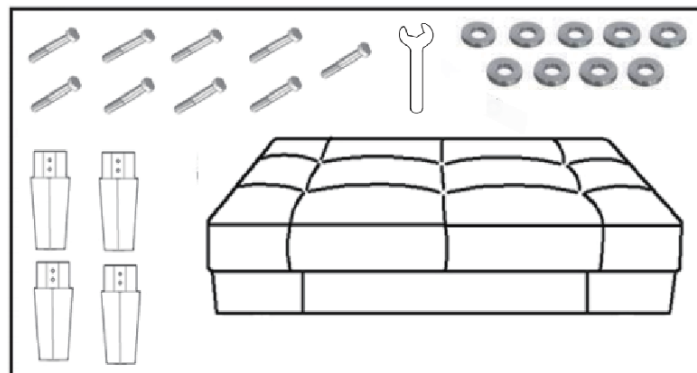
Hardware

Label	Picture	Description	QTY
1		Bolt M8X70	9
2		Washer M8	9
3		Wrench	1

Assembly Preparation

Before Beginning

Assembly:



- Read instructions, cover to cover-



- Have 2 adults on hand for assembly-



- Do not assemble on flooring or carpet-



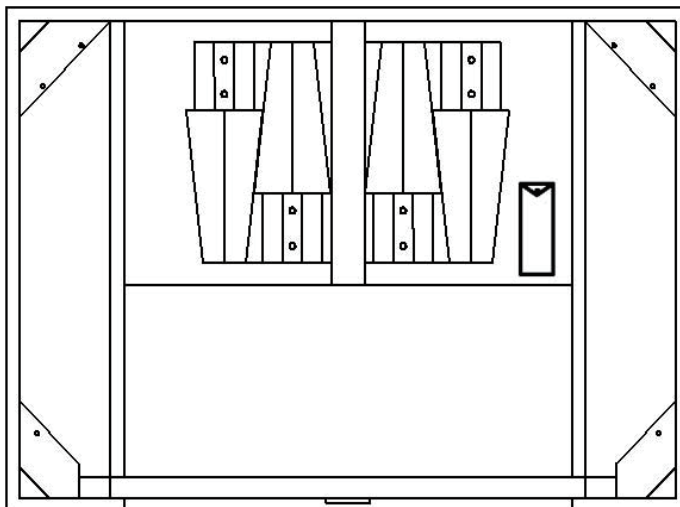
- Assemble on a clean non-marring surface (packing foam)-



- Save all packaging until finished-

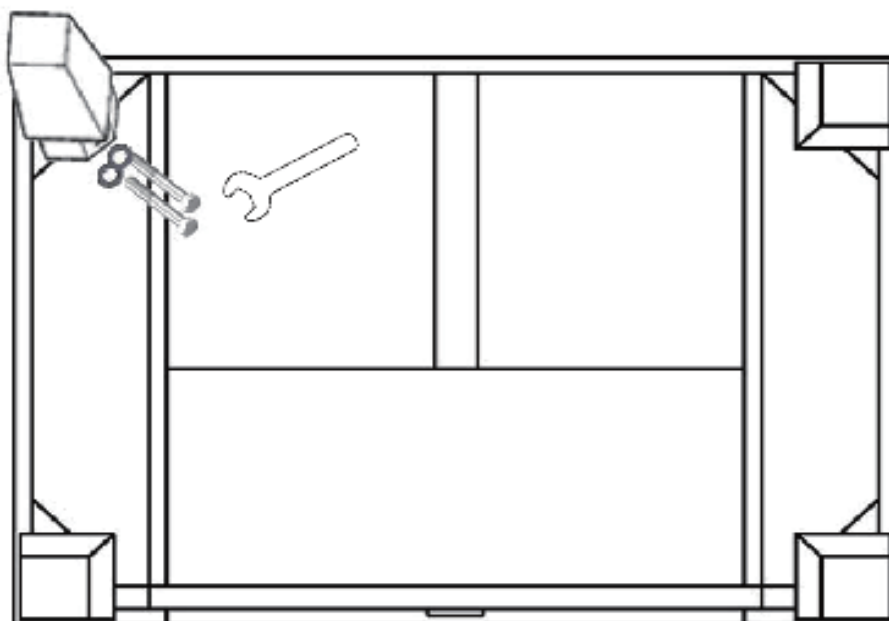
Assembly Steps

Step 1



Position the ottoman on its back, as shown.
Take out the 4 wooden legs and the hardware box (inside 8 bolts, 8 washers and 1 wrench)

Step 2



Install the legs on the body of the ottoman.
Insert 2 bolts through the holes on each leg into the threaded holes in ottoman body corners. Place a washer ring over each of the bolts, and use the wrench to tighten them turning clockwise.
Repeat the same steps to install the other 3 legs.