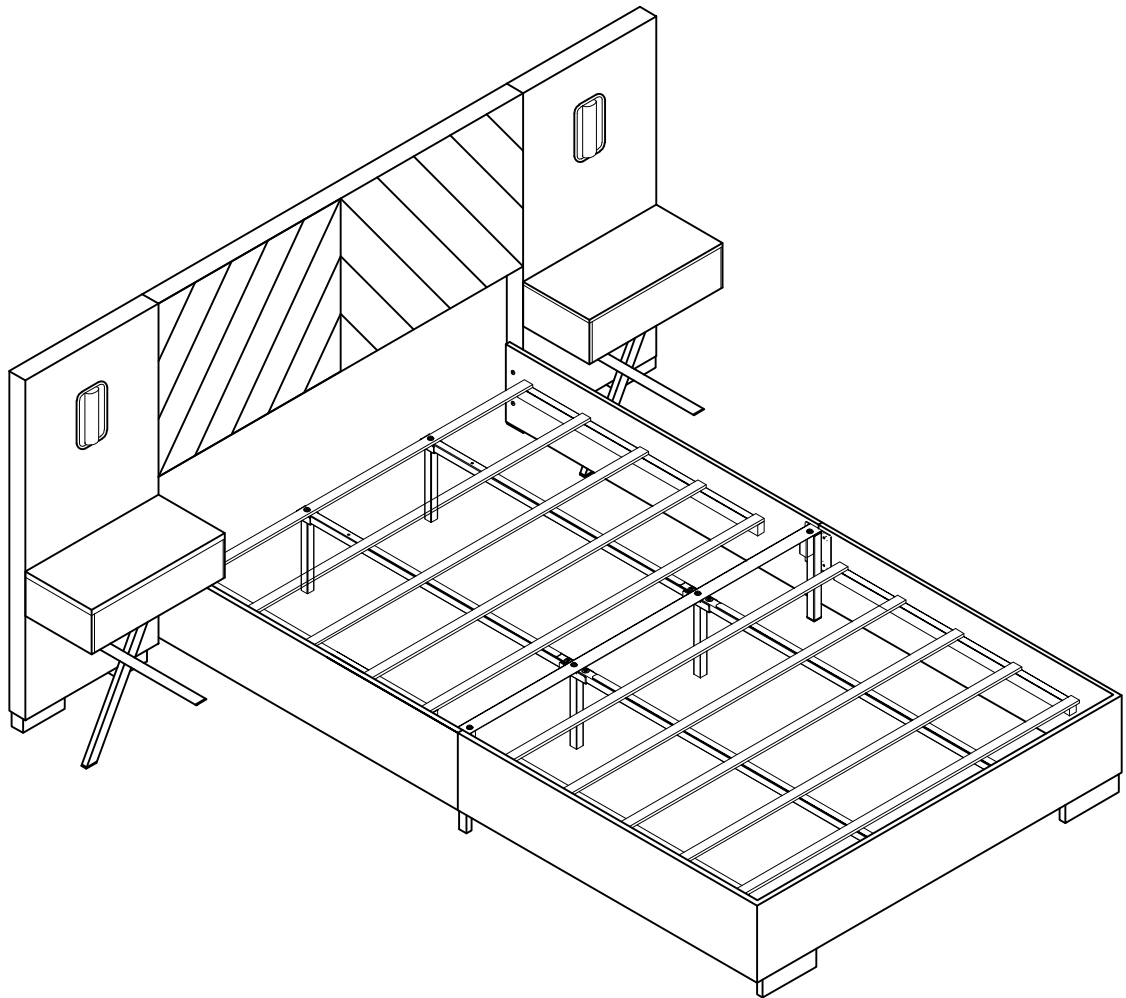
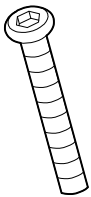


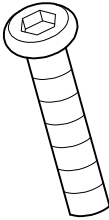




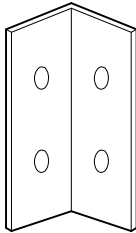
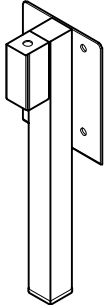
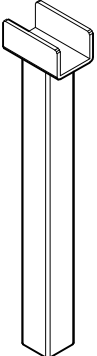
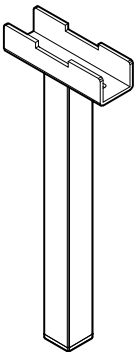
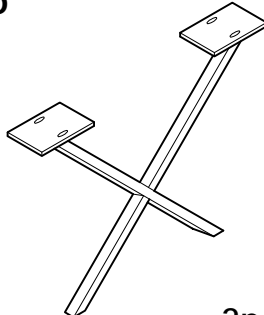
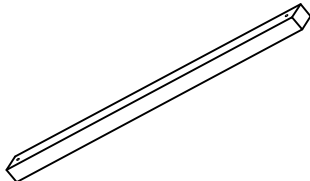
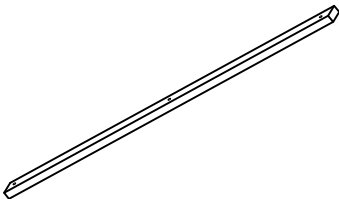
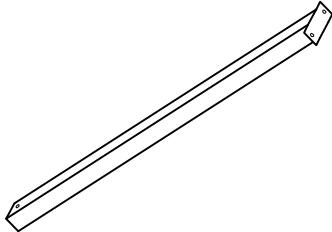
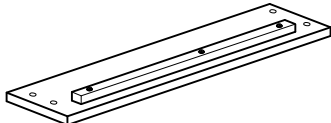
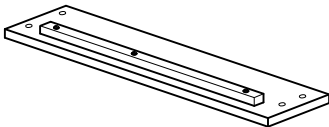
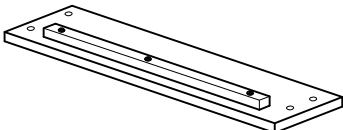
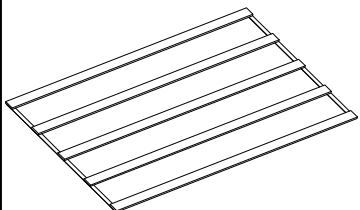

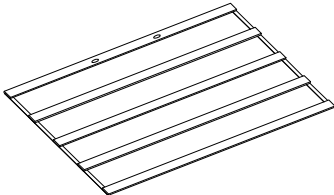


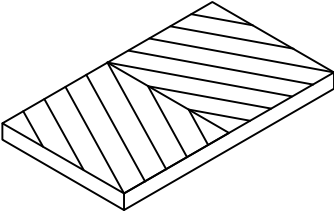
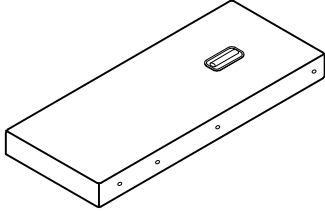
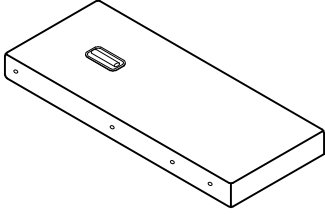
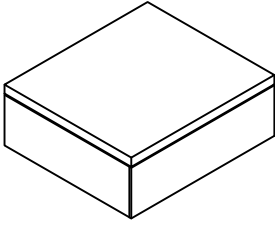
# ASSEMBLY INSTRUCTIONS

Compression must wait for 72 hours before it can be unfolded, and it needs to be flapped by hand



parts list

<p><b>A1</b></p>  <p>M6*55 8pcs</p>	<p><b>A2</b></p>  <p>M6*18 28pcs</p>	<p><b>A3</b></p>  <p>M6*35 4pcs</p>	<p><b>A4</b></p>  <p>M8*50 10pcs</p>	<p><b>A5</b></p>  <p>M8*19 10pcs</p>	<p><b>A6</b></p>  <p>M6*19 40pcs</p>
<p><b>A7</b></p>  <p>M6 1pcs</p>	<p><b>A8</b></p>  <p>M8 1pcs</p>	<p><b>B1</b></p>  <p>2pcs</p>	<p><b>B2</b></p>  <p>2pcs</p>		
<p><b>B3</b></p>  <p>2pcs</p>	<p><b>B4</b></p>  <p>2pcs</p>	<p><b>B5</b></p>  <p>2pcs</p>	<p><b>C1</b></p>  <p>2pcs</p>		
<p><b>C2</b></p>  <p>1pcs</p>	<p><b>C3</b></p>  <p>2pcs</p>	<p><b>D</b></p>  <p>1pcs</p>	<p><b>D1</b></p>  <p>1pcs</p>		
<p><b>D2</b></p>  <p>2pcs</p>	<p><b>D3</b></p>  <p>1pcs</p>	<p><b>D4</b></p>  <p>1pcs</p>	<p><b>D5</b></p>  <p>1pcs</p>		

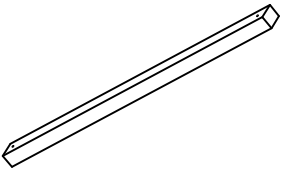
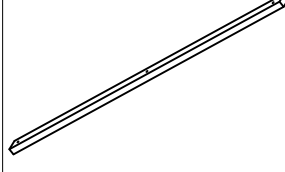
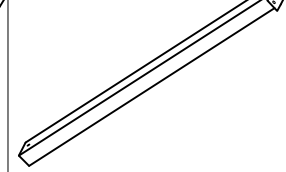
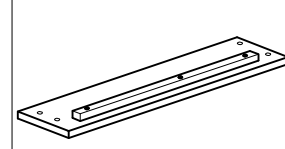
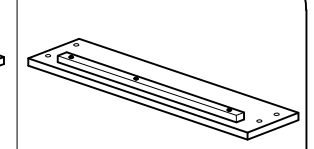
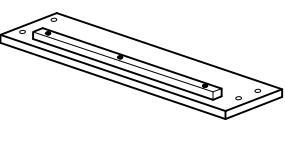
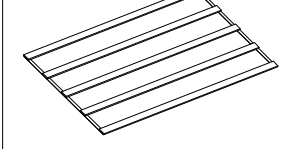
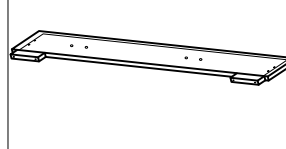
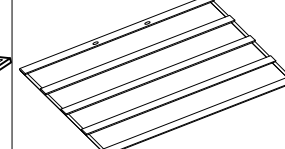
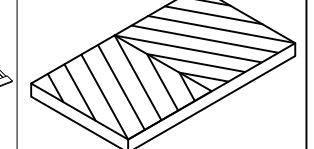
<b>E1</b>  <p style="text-align: right;">1pcs</p>	<b>E2</b>  <p style="text-align: right;">1pcs</p>	<b>E3</b>  <p style="text-align: right;">1pcs</p>	<b>E4</b>  <p style="text-align: right;">2pcs</p>
---	--	---	--

**packing list**




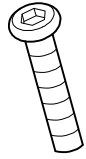




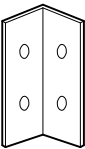
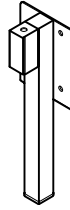
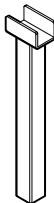
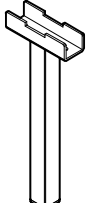
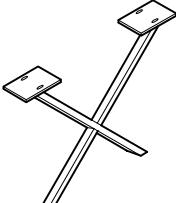
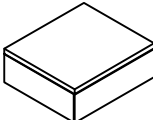
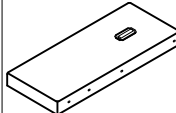
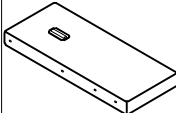
K bed: C1x2 C2x1 C3x2 Dx1 D1x1 D2x2 D3x1 D4x1 D5x1 E1x1  
 Back ear: A1x9 A2x30 A3x5 A4x10 A5x10 A6x40 A7x1 A8x1 B1x2 B2x2 B3x2  
 B4x2 B5x2 E2x1 E3x1 E4x2 (Including spare hardware)

Note: The package is as follows.

**K bed**

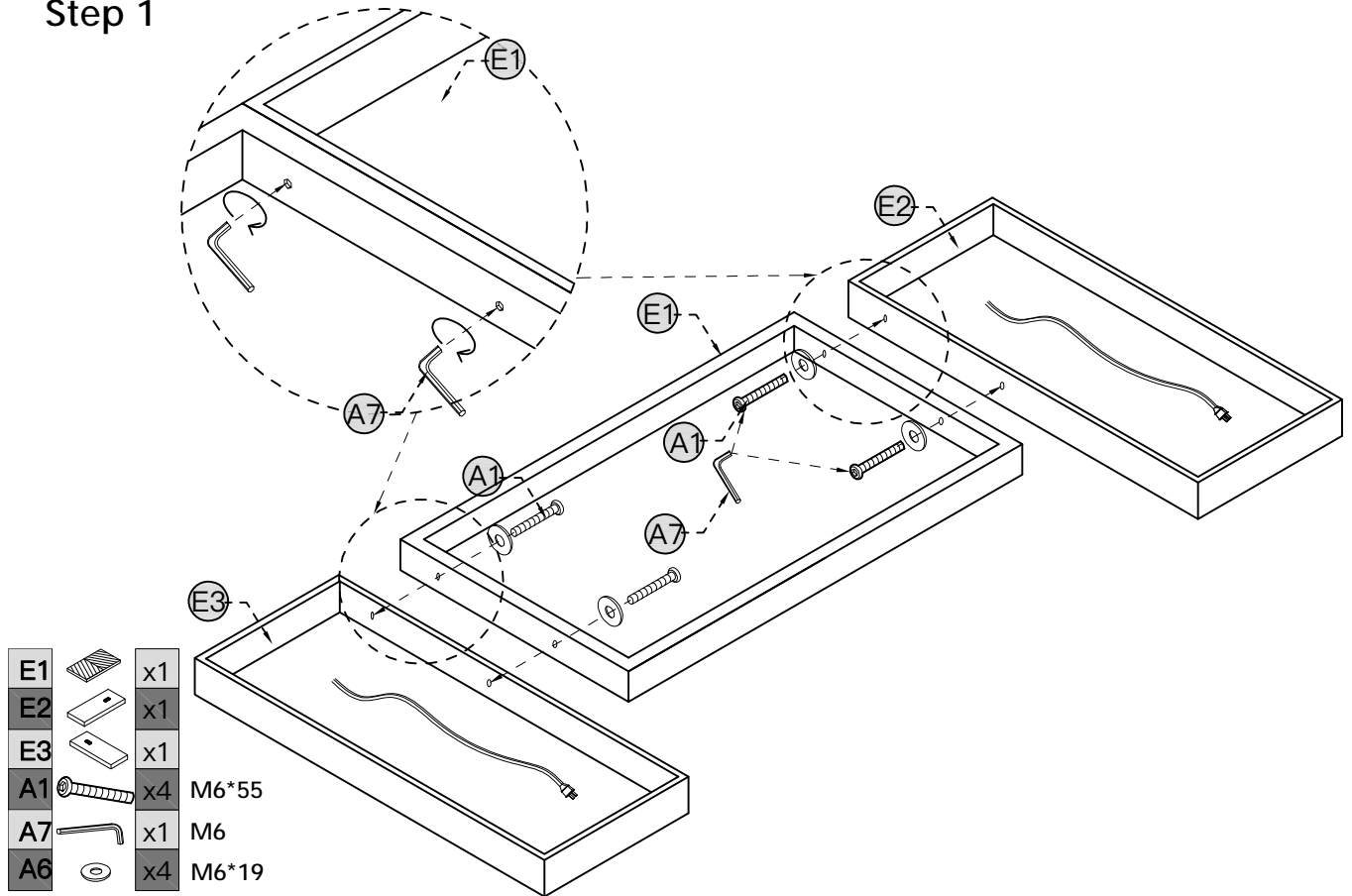
 <b>C1</b>	 <b>C2</b>	 <b>C3</b>	 <b>D</b>	 <b>D1</b>
 <b>D2</b>	 <b>D3</b>	 <b>D4</b>	 <b>D5</b>	 <b>E1</b>

**Back ear**

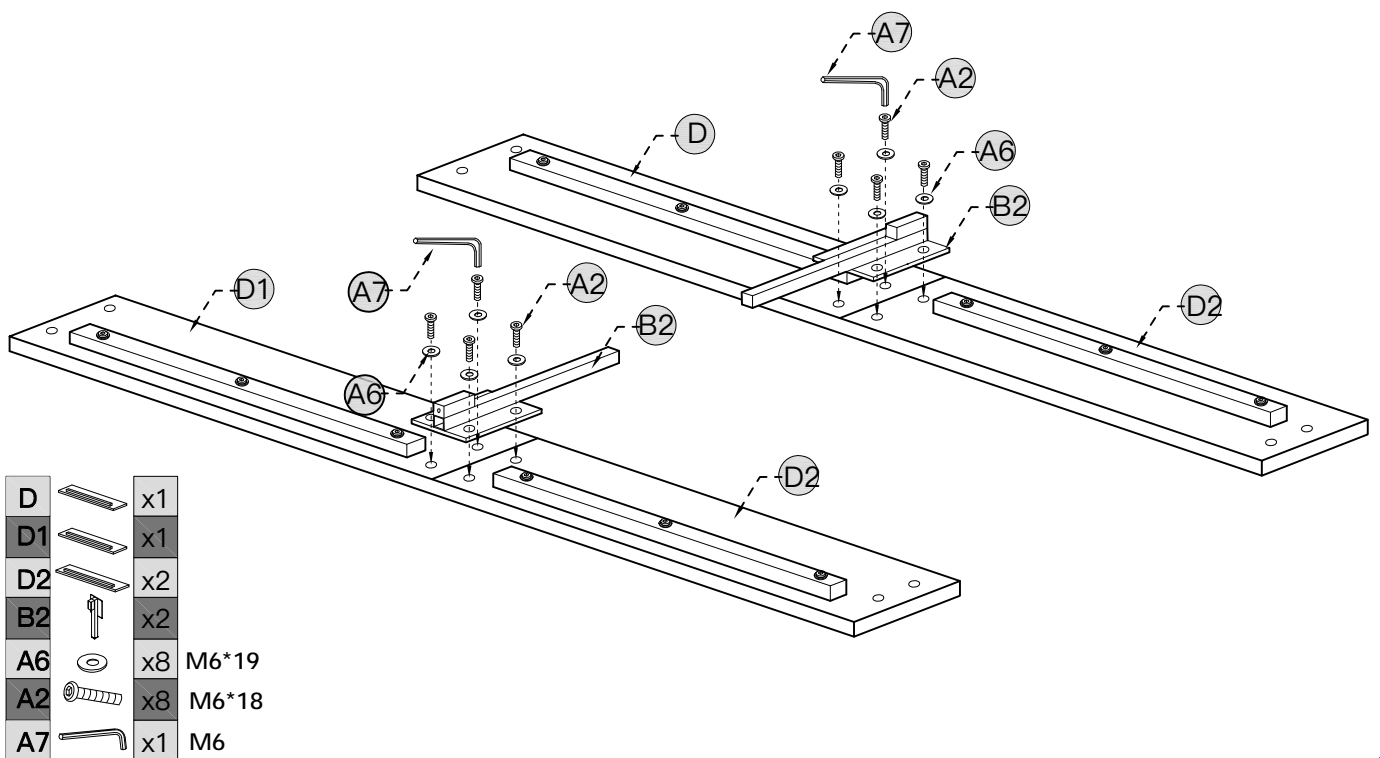
 <b>A1</b> M6*55	 <b>A2</b> M6*18	 <b>A3</b> M6*35	 <b>A4</b> M8*50	 <b>A5</b> M8*19	 <b>A6</b> M6*19	 <b>A7</b> M6	 <b>A8</b> M8
 <b>B1</b>	 <b>B2</b>	 <b>B3</b>	 <b>B4</b>	 <b>B5</b>	 <b>E4</b>	 <b>E2</b>	 <b>E3</b>

Installation method

Step 1

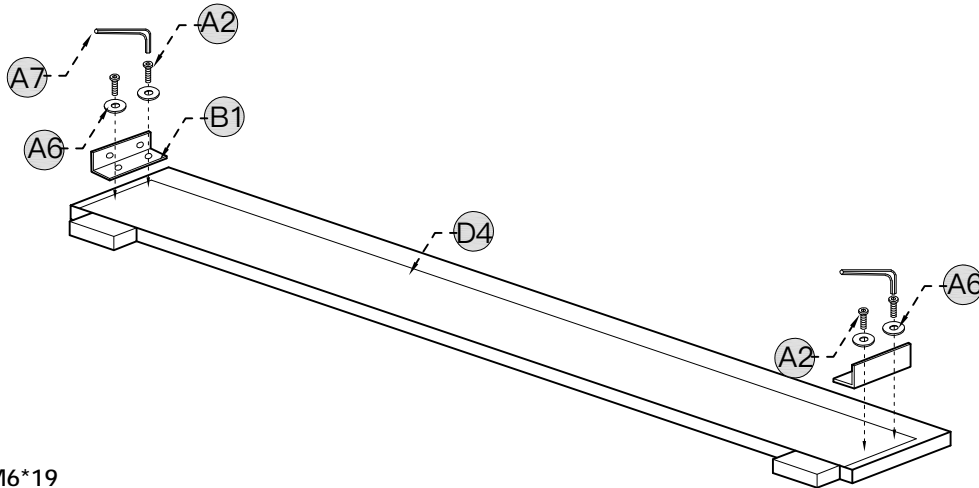


Step 2



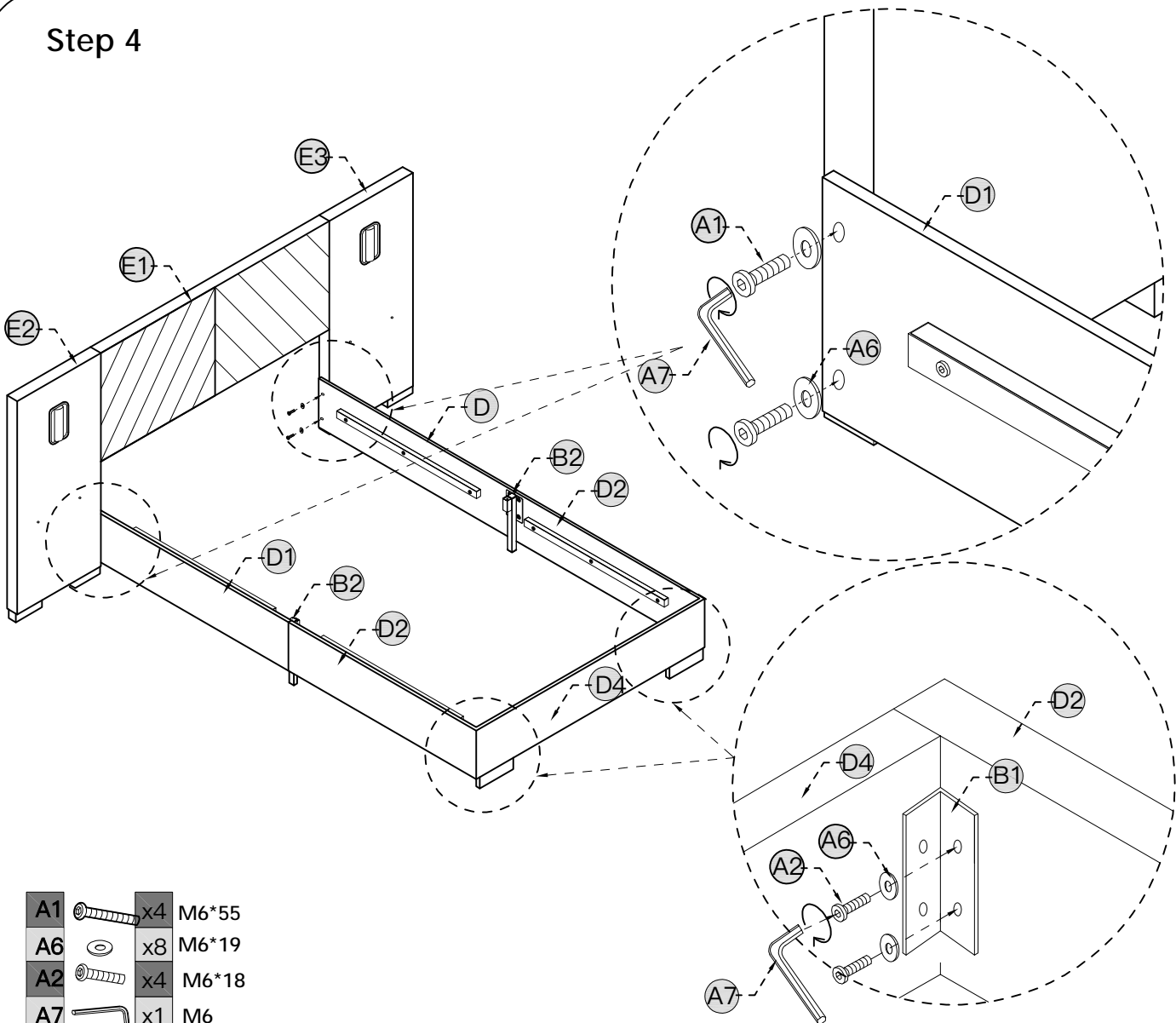
Installation method

Step 3



D4	x1	
B1	x2	
A6	x4	M6*19
A2	x4	M6*18
A7	x1	M6

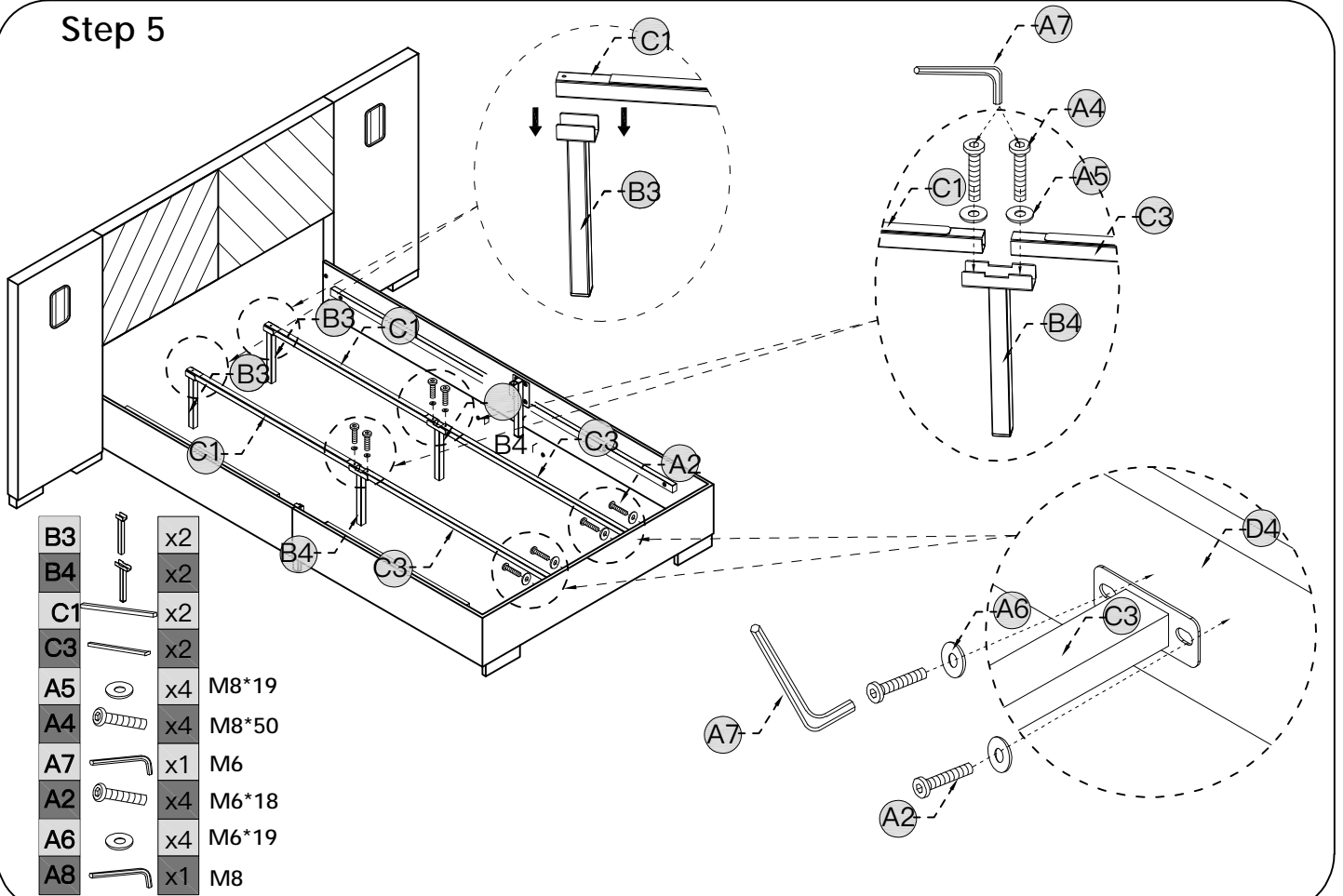
Step 4



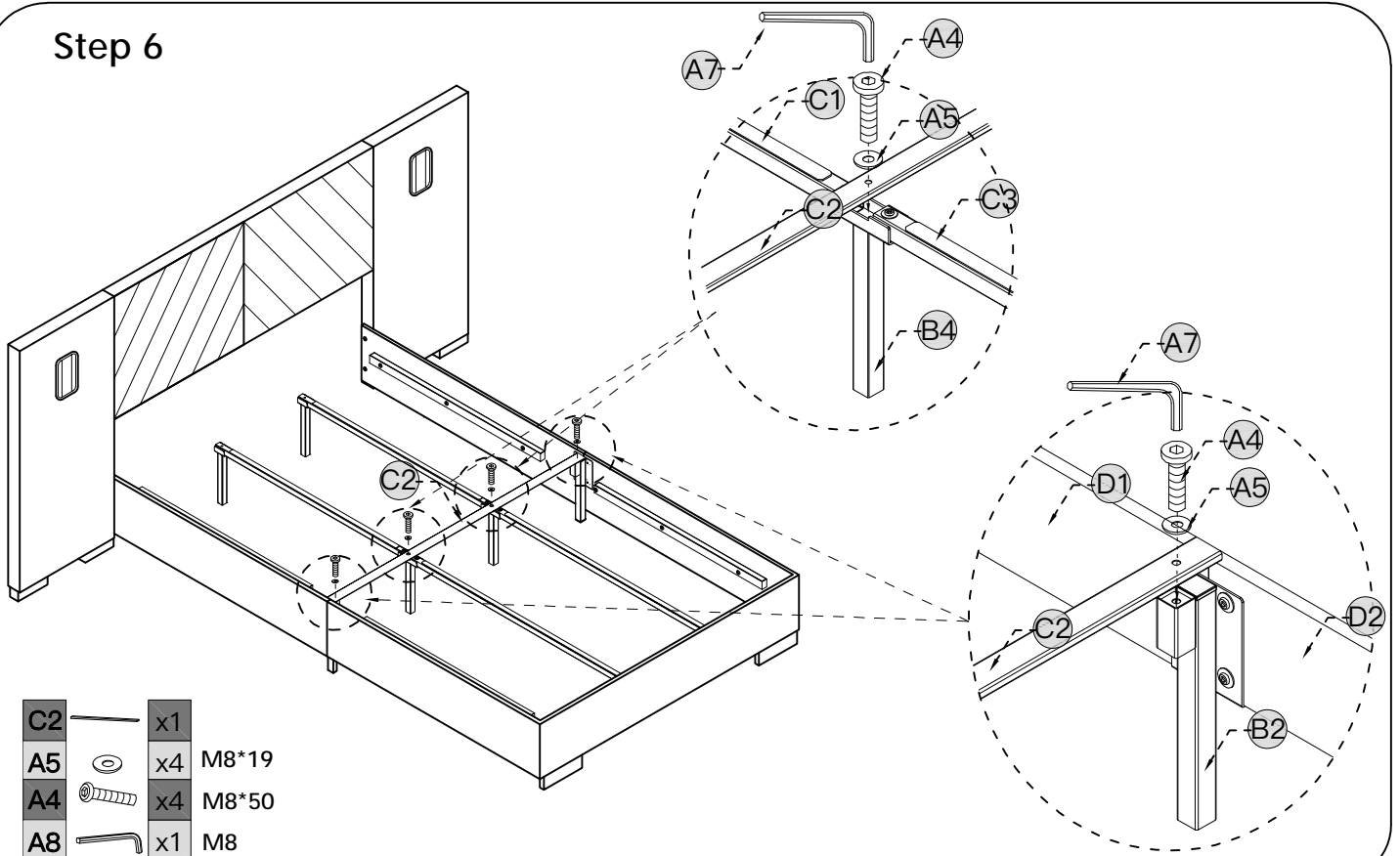
A1	x4	M6*55
A6	x8	M6*19
A2	x4	M6*18
A7	x1	M6

# Installation method

## Step 5

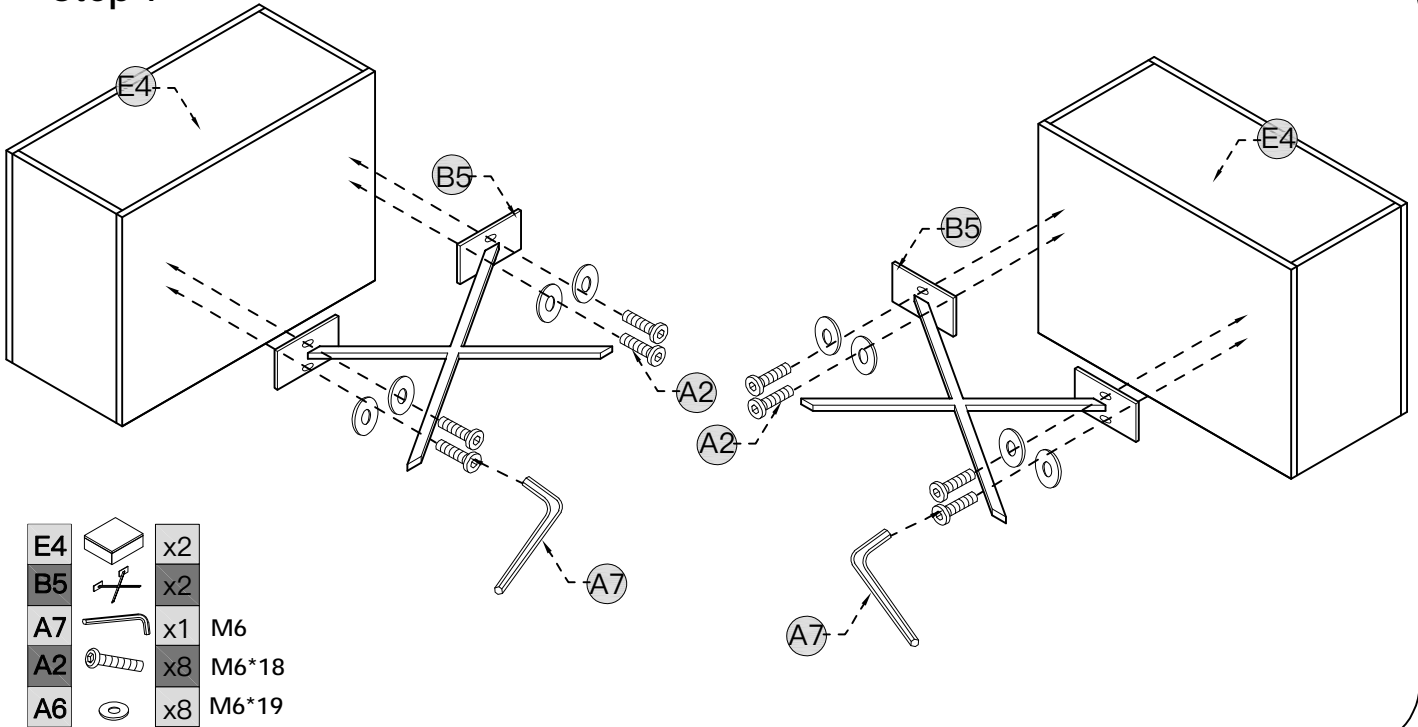


## Step 6

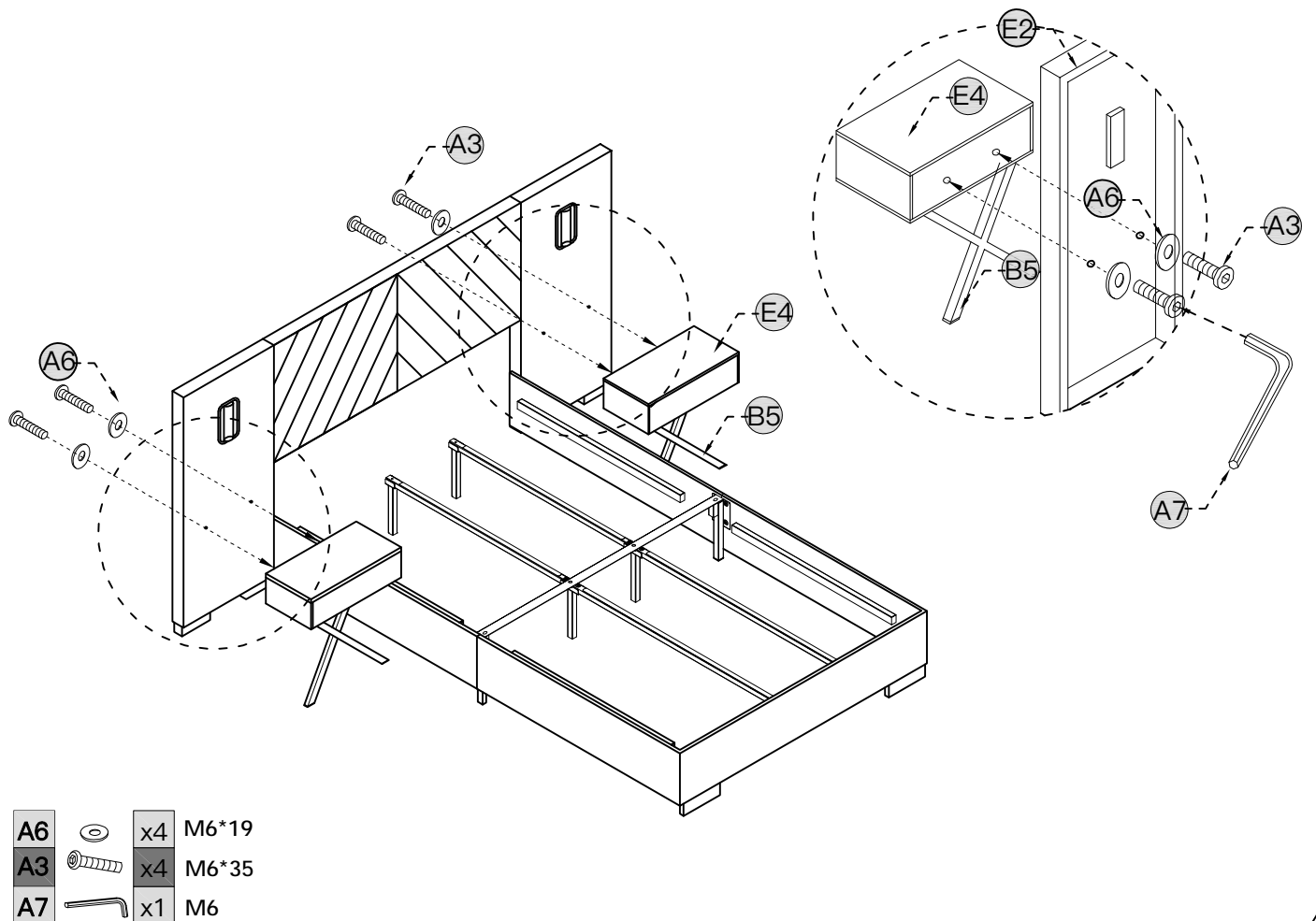


Installation method

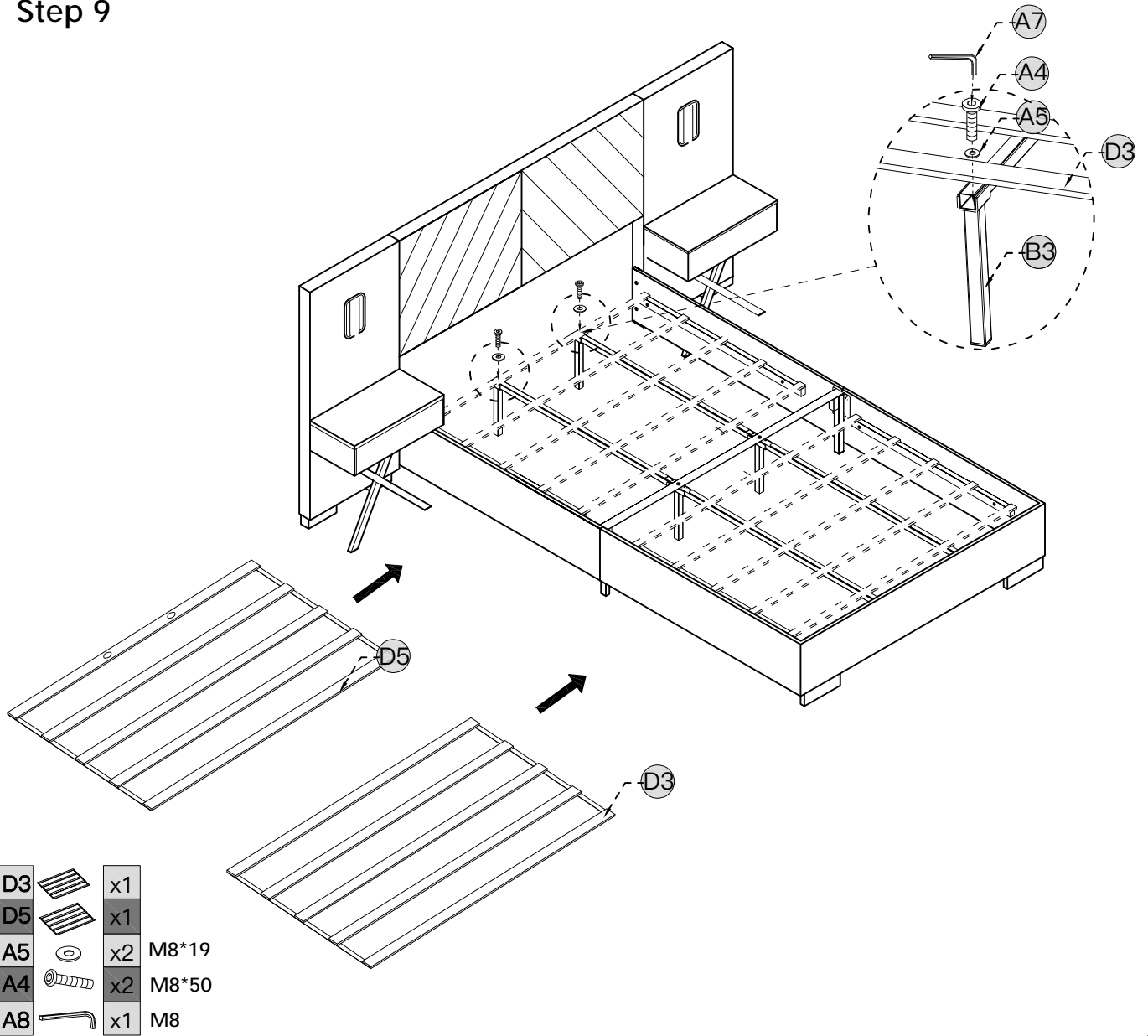
Step 7



Step 8



Step 9



Assembly completed!

Please enjoy the bed